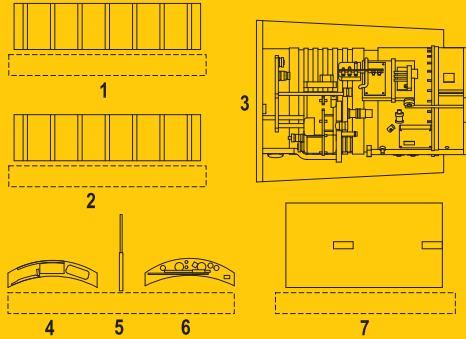


4401
1/48

**F-104 Starfighter
Engine**
for Kinetic kit



Polyurethane parts PUR



Díly ohnuté popř. pokroucené vlivem teplotních změn a stárnutí materiálu, mohou být narovnány do požadovaného tvaru pomocí proudu teplé vody nebo vzduchu (fén na vlasy).

Parts slightly distorted and bent owing to temperature changes or due to material ageing can be straightened to requested shape by hot water or hot air jet. (hair dryer)

This process can be repeated till result is entirely satisfactory.
K lepení použít kyanoakrylátové lepidlo!

For best result gluing use cyanoacrylate glue!

Kontaktní plochy doporučujeme před lepením odmastit
Contact areas ungrease is recommended before gluing.

Visit our official website and e-shop at
www.cmkkits.com

www.specialhobby.eu

www.facebook.com/specialhobby/

OTHER SETS / OSTATNÍ SETY 1/48

- 4405 F-104 Starfighter Port Side Cannon Installation for Kinetic kit
- 4404 F-104G/S Starfighter Cockpit + MB.7 Ejection Seat for Kinetic kit
- 4403 F-104G/J Starfighter Cockpit + C2 Ejection Seat for Kinetic kit
- 4401 F-104 Engine set for Kinetic kit
- 4342 Mk.82AIR BSU49B (Air Inflatable Retarder)
- 4339 RF-84 Undercarriage Bays for Tanmodel kit
- 4333 RF-84F Camera Set for Tanmodel kit
- 4332 Tornado IDS Interior set for Revell kit
- 4331 Tornado IDS Air Brakes for Revell kit

Special Hobby, Mezilesí 718, Praha 9, 193 00, Czech Republic
e-mail: office@specialhobby.eu

