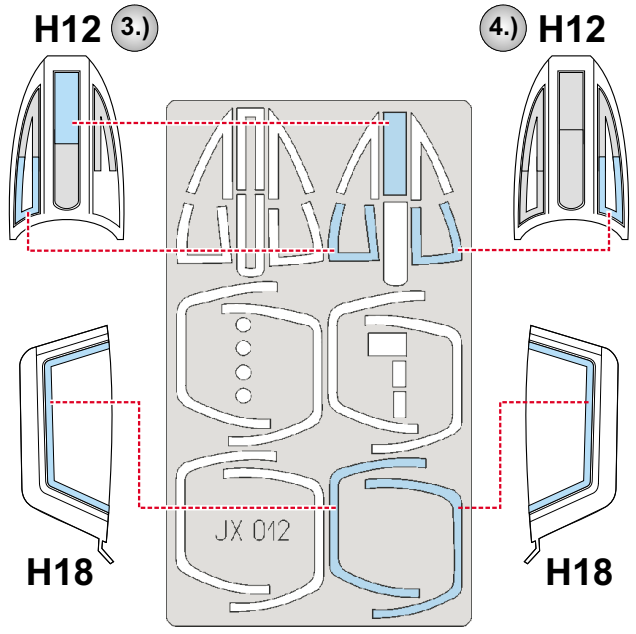
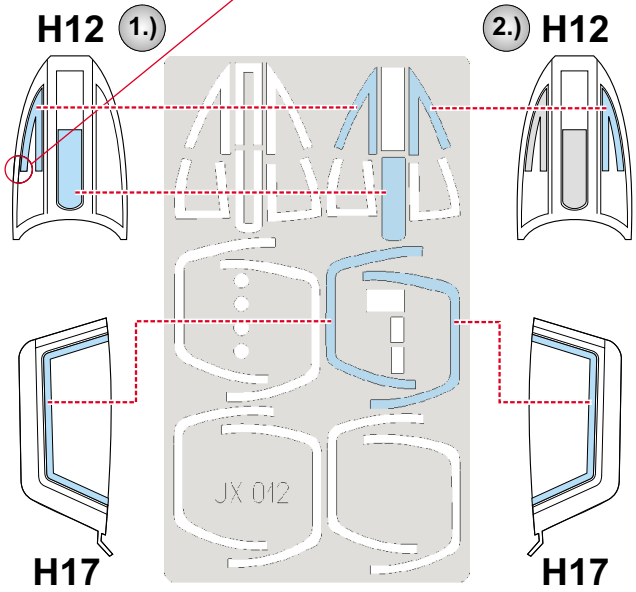
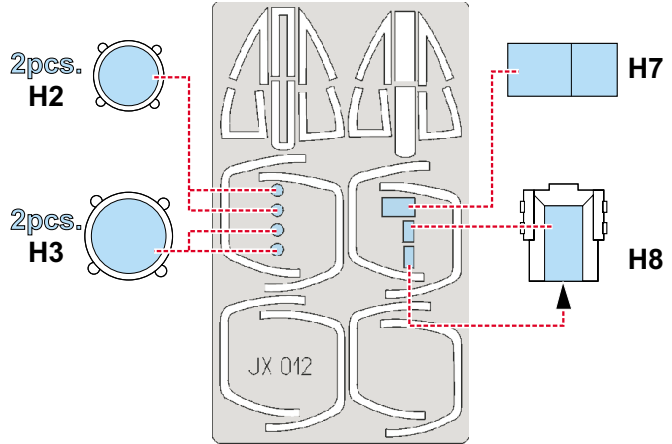
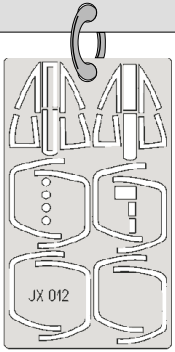


eduard
MASK

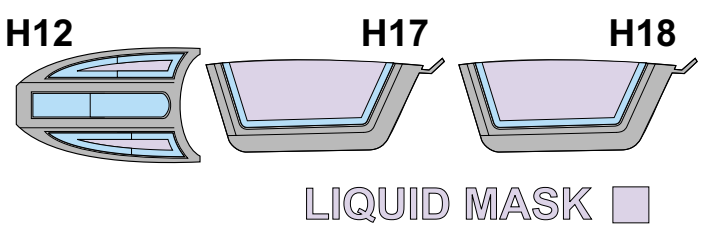
F-105G Thunderchief

The die-cut mask for accurate canopy frame painting of the
Trumpeter 1/32 KIT

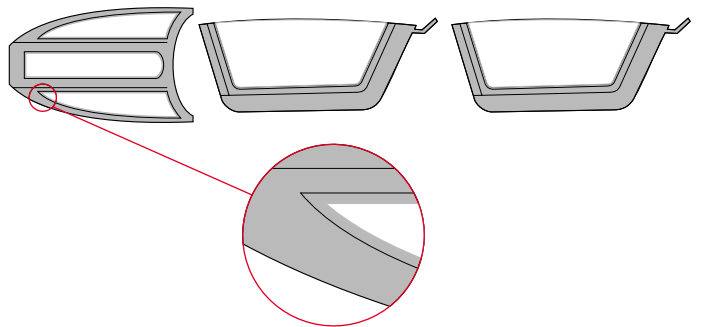
JX 012

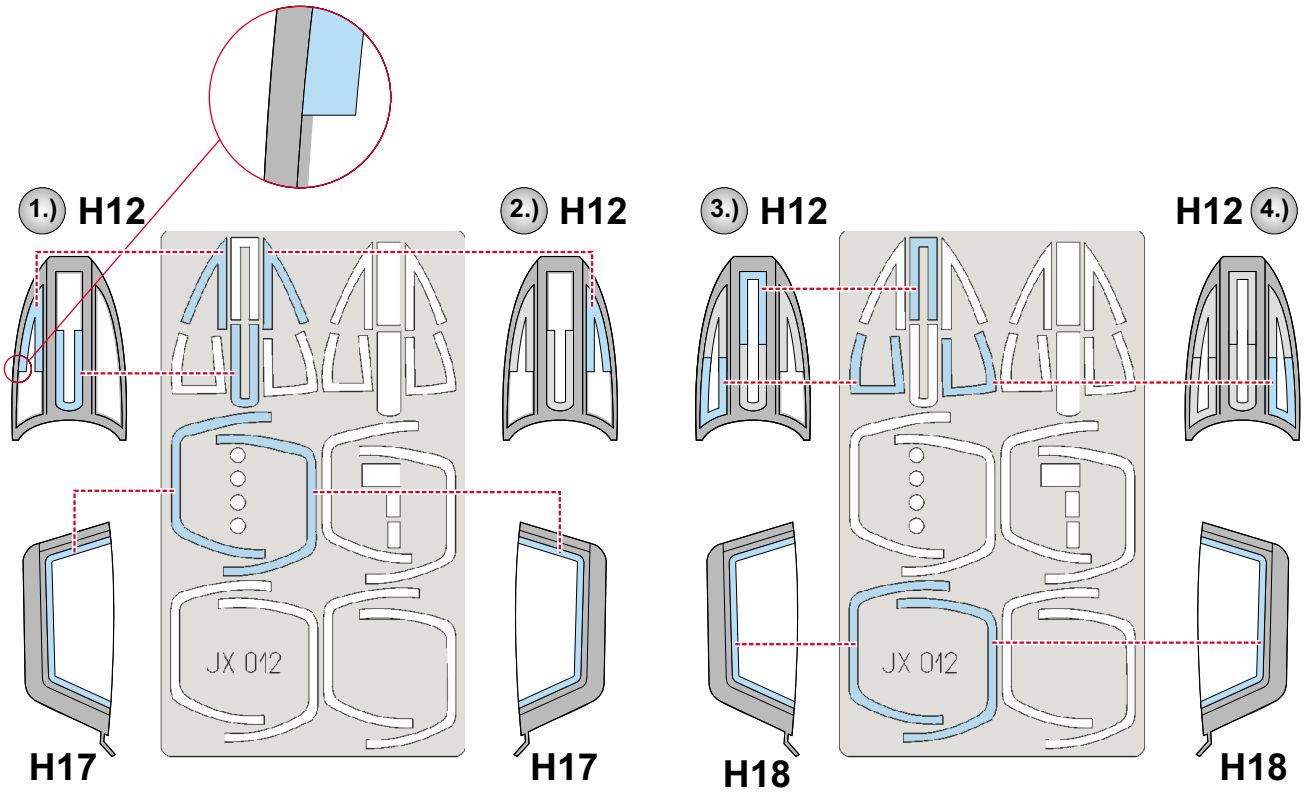


- 5.) INTERIOR COLOR
- 6.) RUBBER COLOR

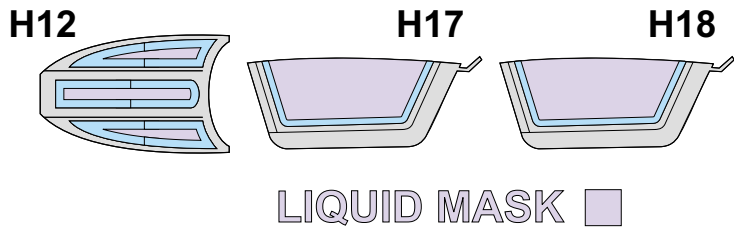


- 7.) REMOVE MASK





7.)  CAMOUFLAGE COLOR



8.) REMOVE MASK

