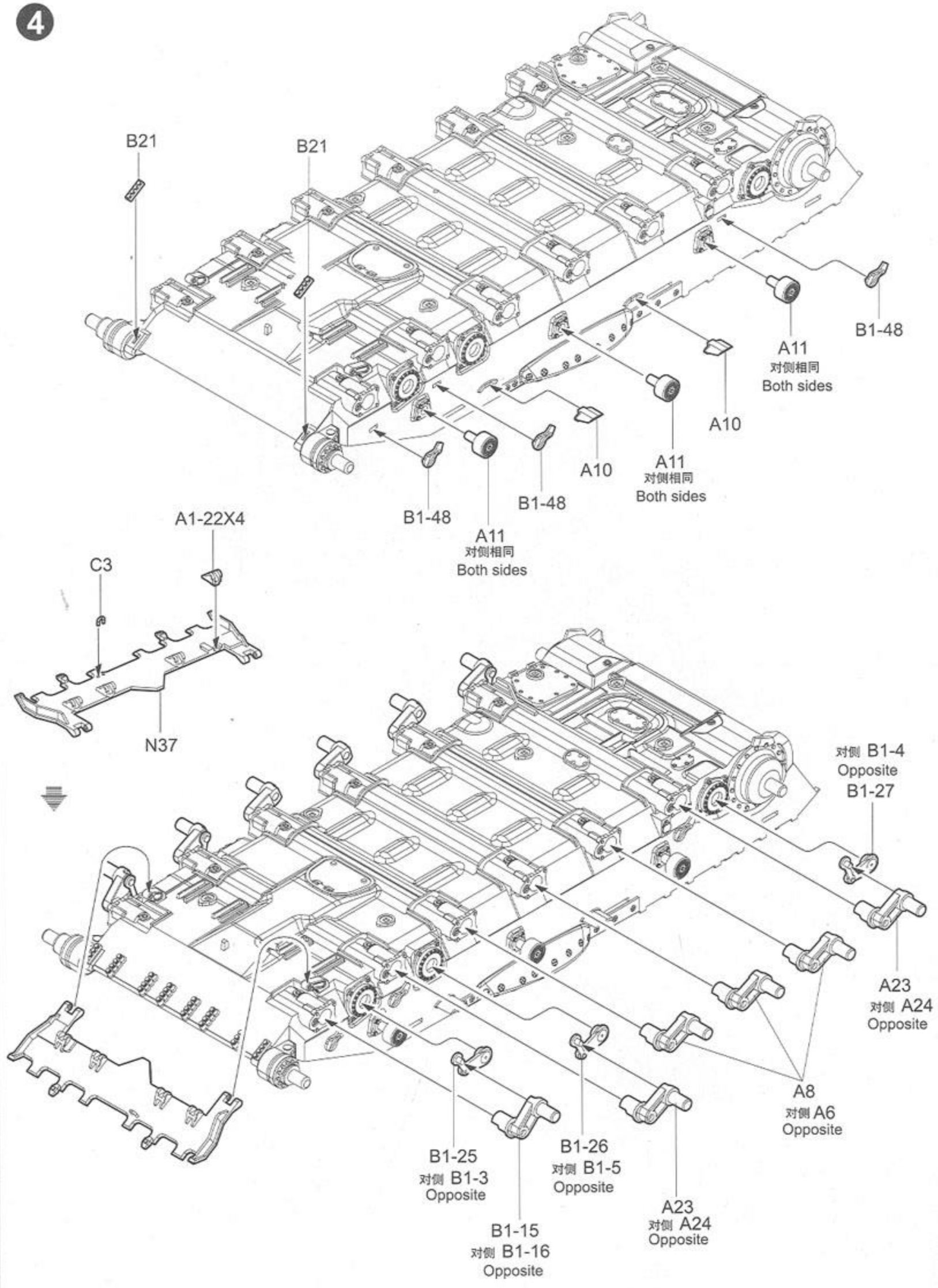
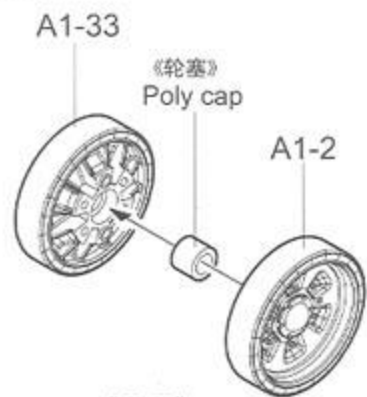


4

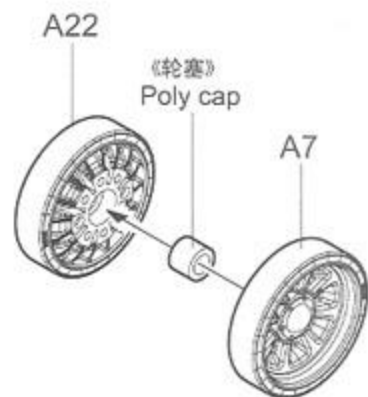


5



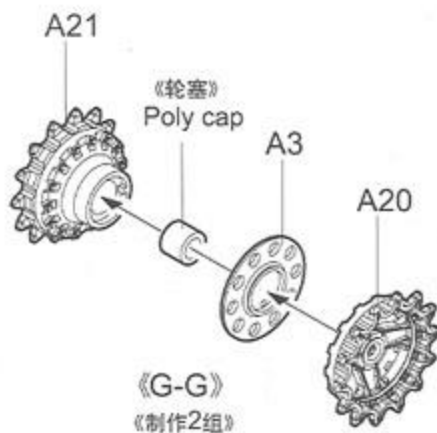
《E-E》
《制作12组》
Make twelve

?
选择
Option



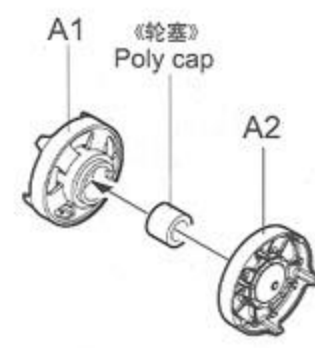
《F-F》
《制作12组》
Make twelve

6



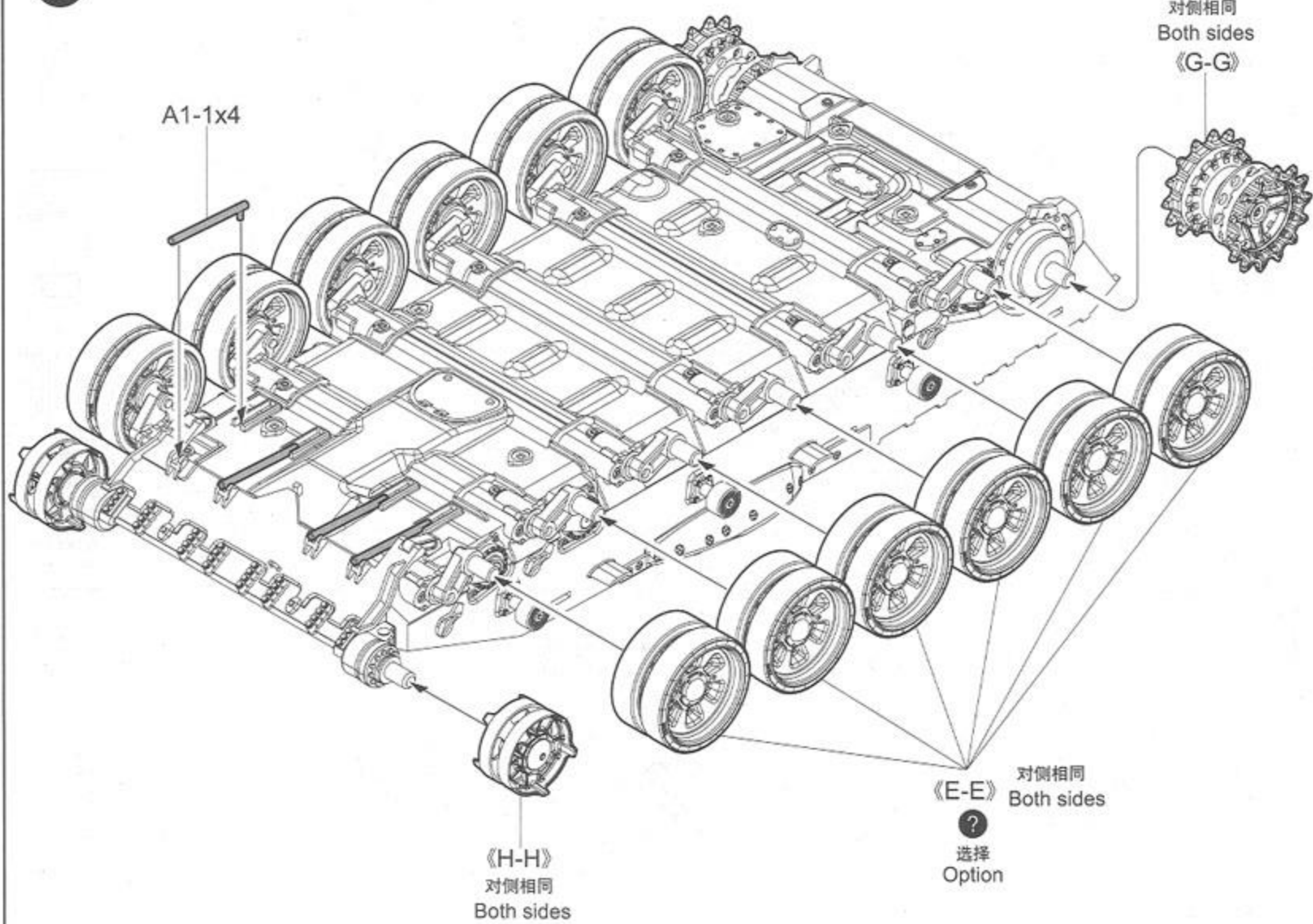
《G-G》
《制作2组》
Make two

7

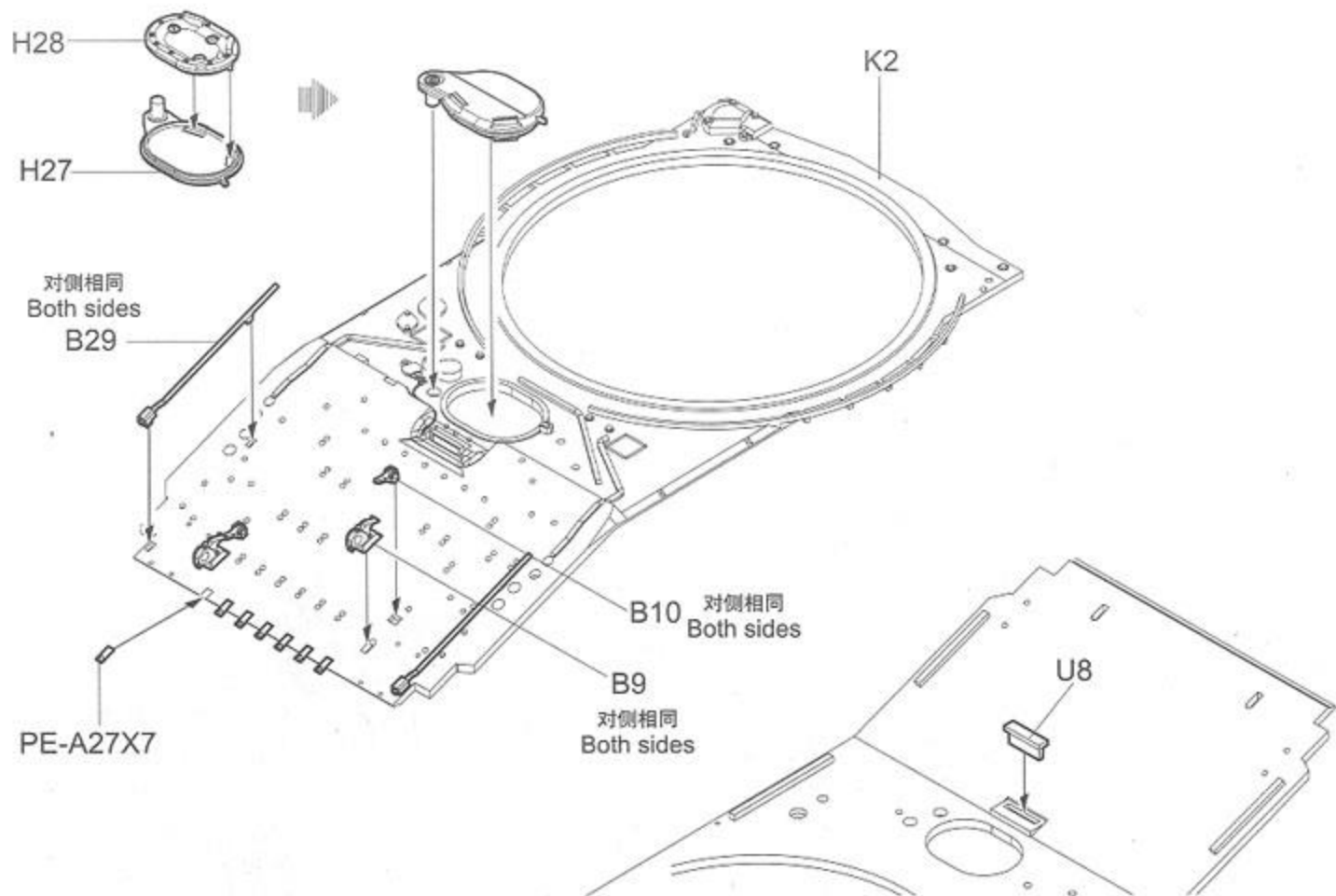


《H-H》
《制作2组》
Make two

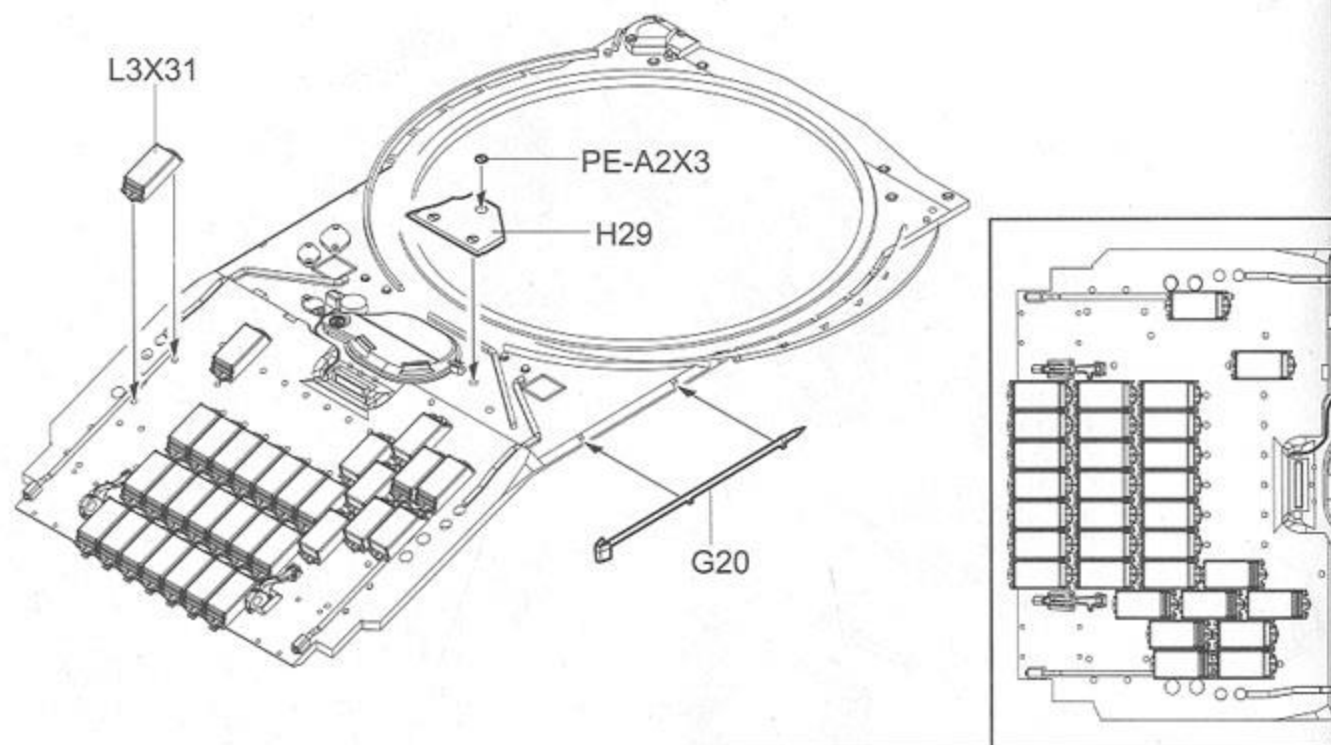
8



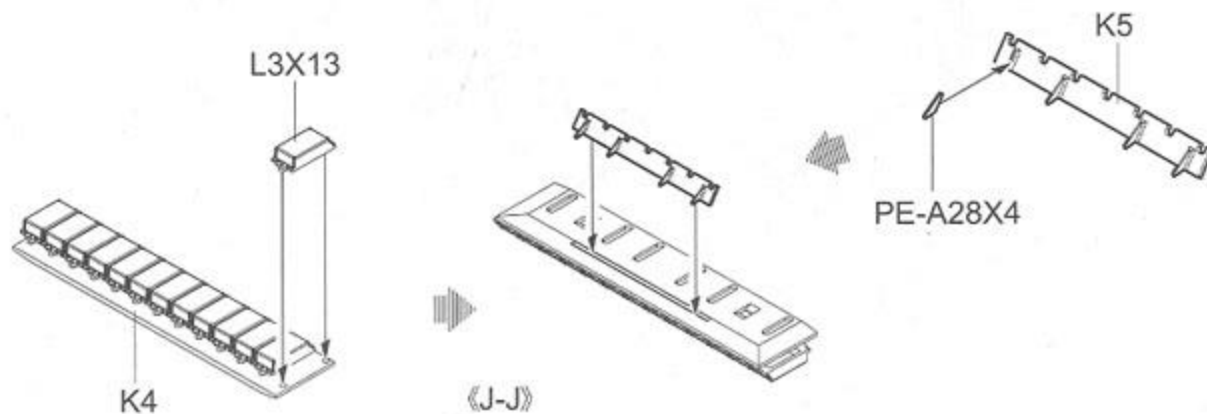
9



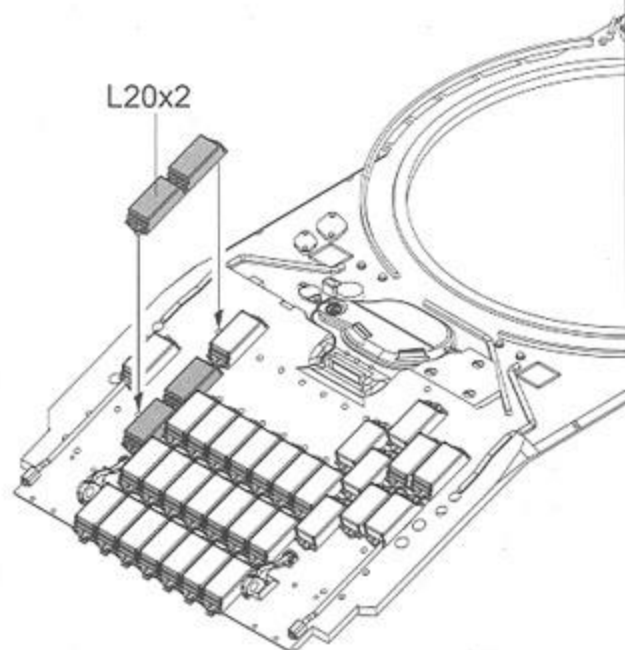
10



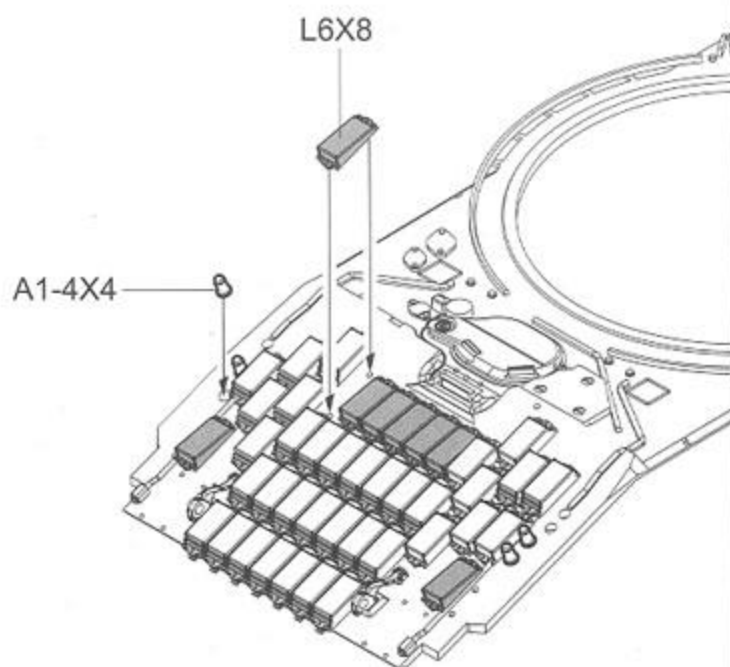
11



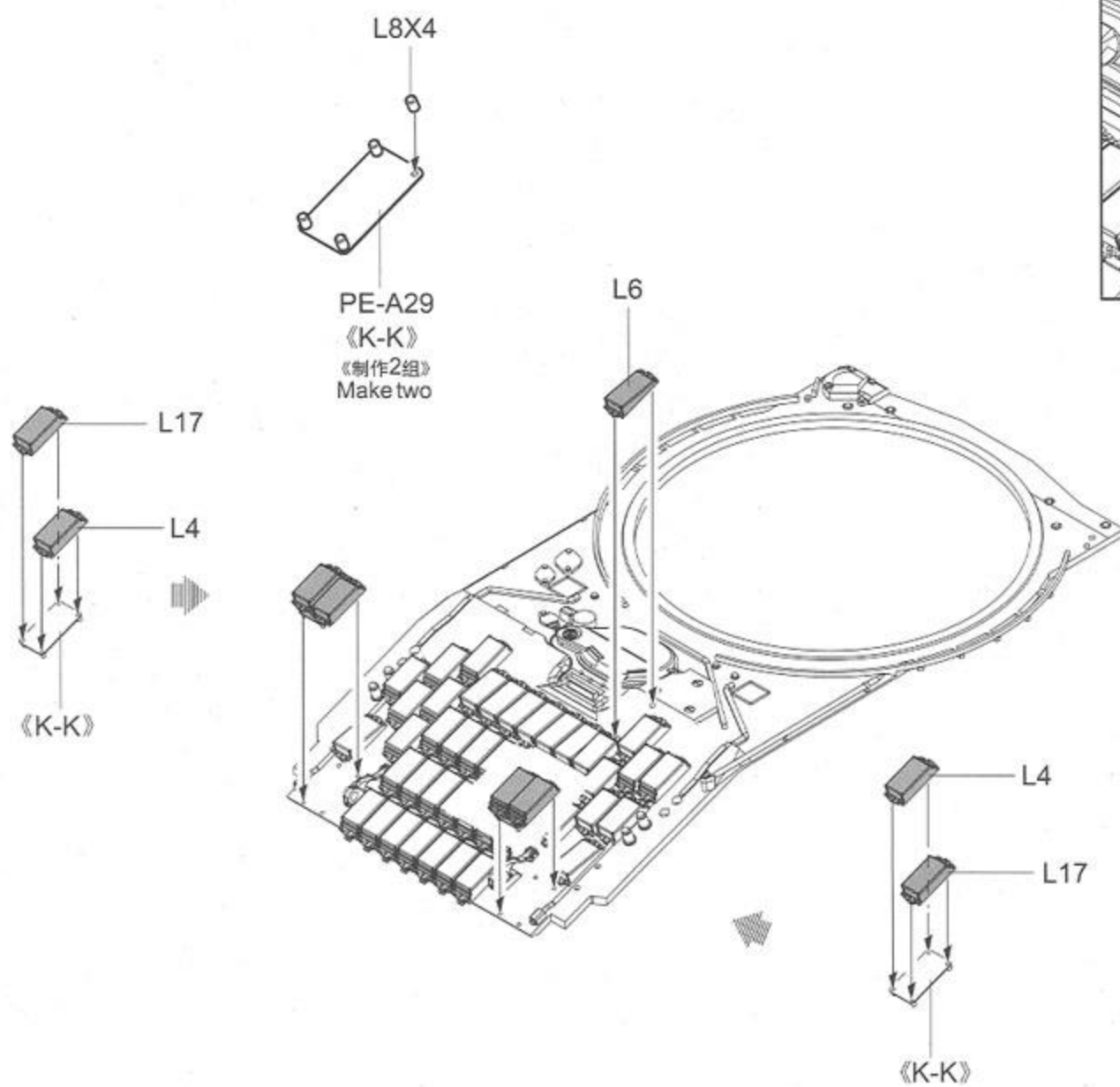
12



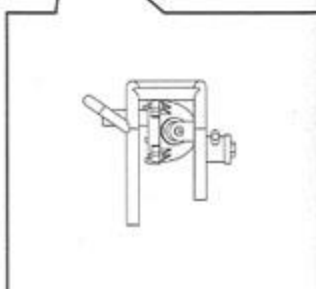
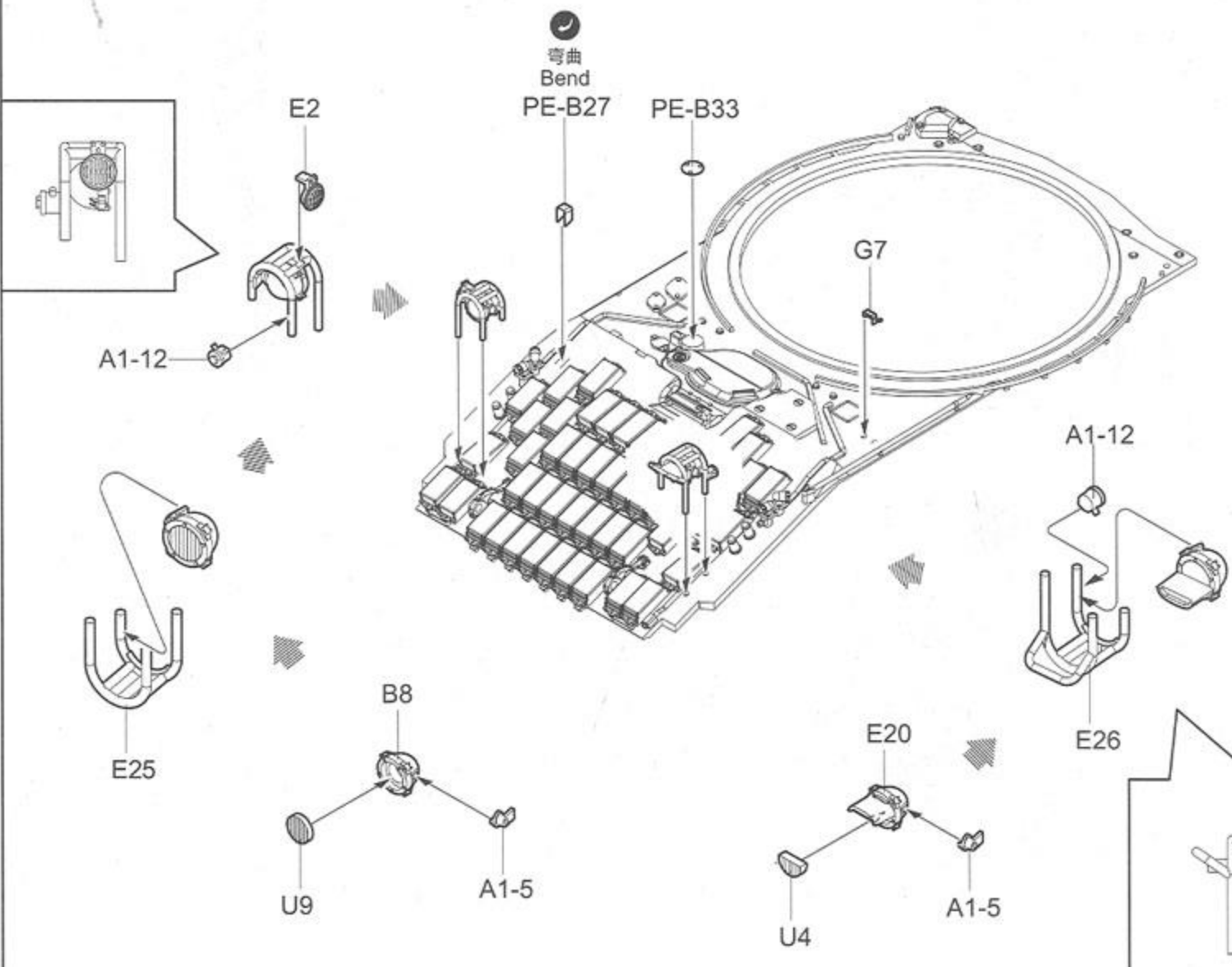
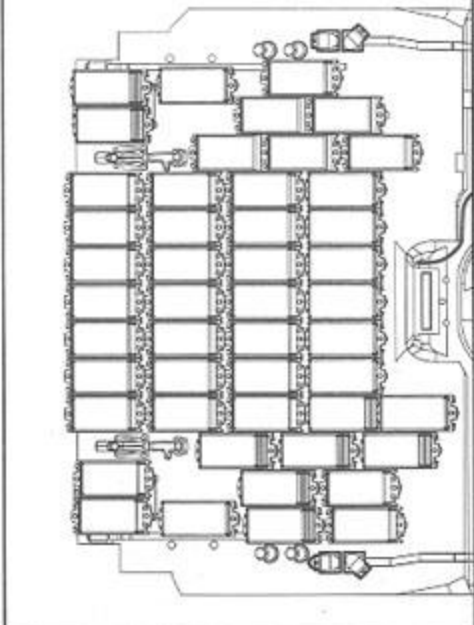
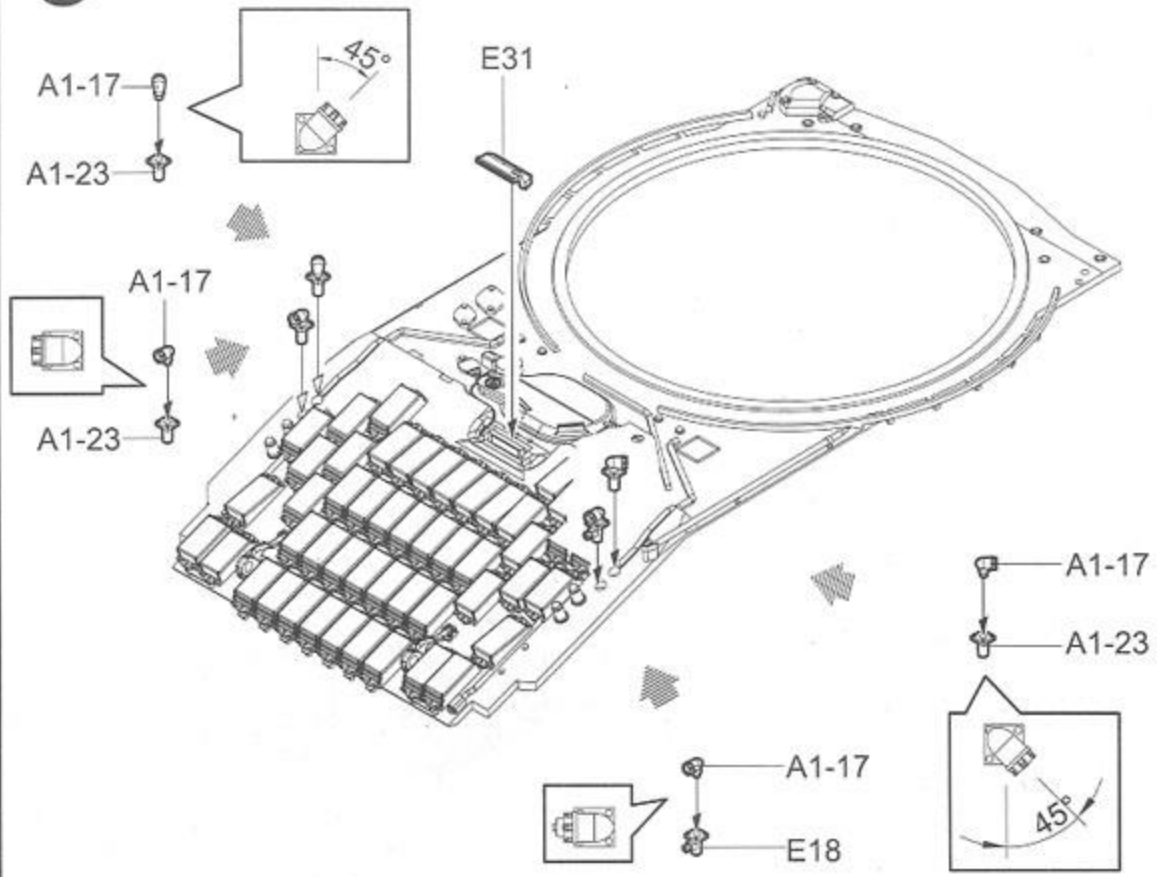
13



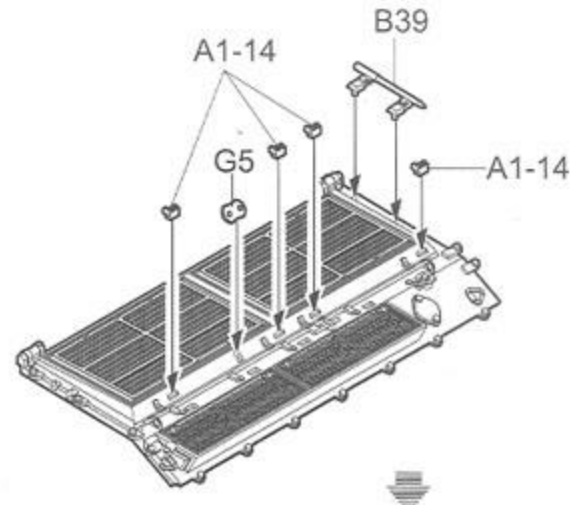
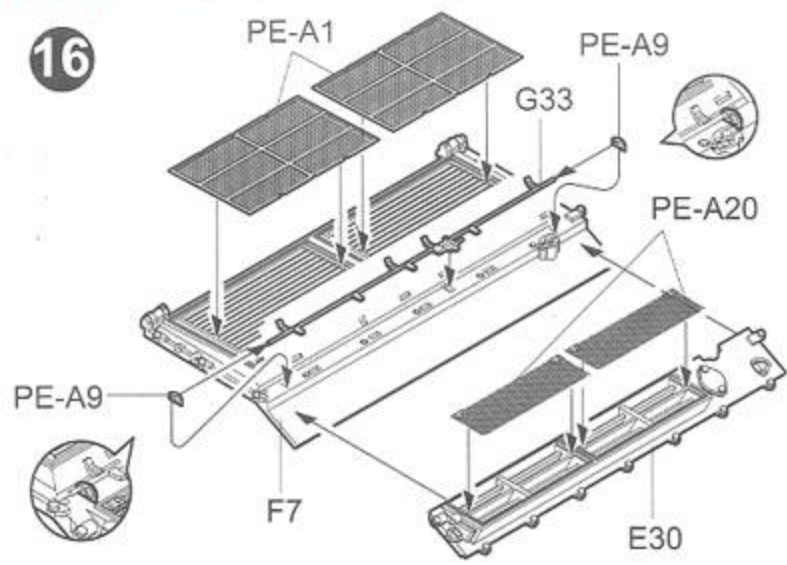
14



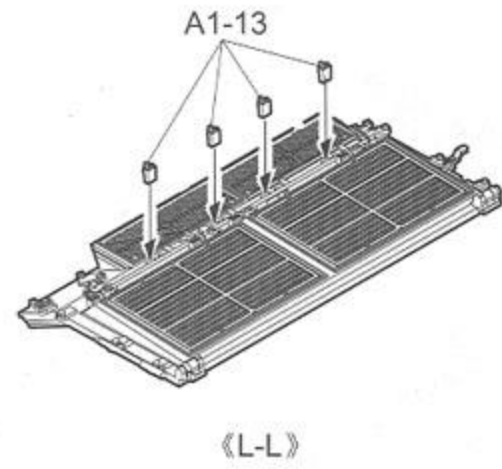
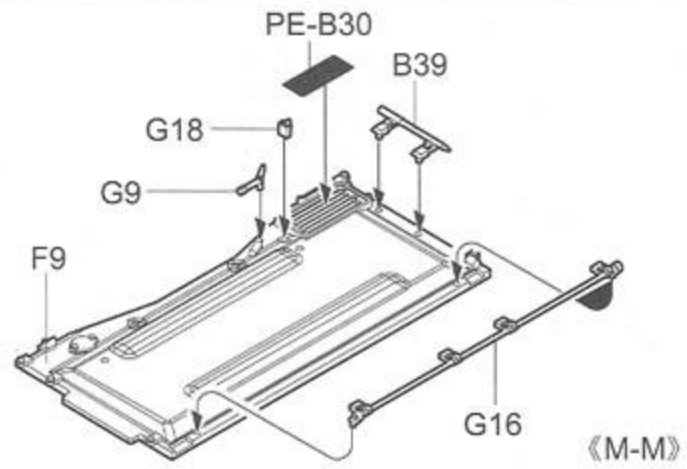
15



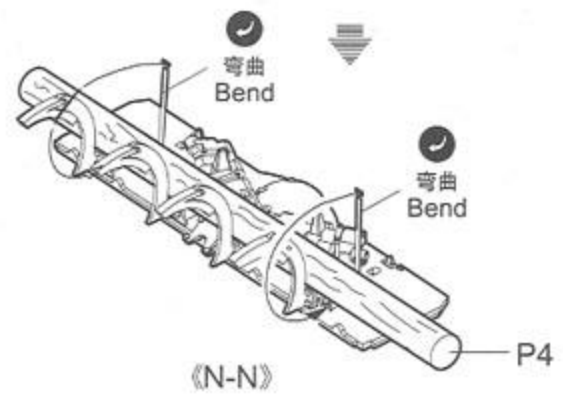
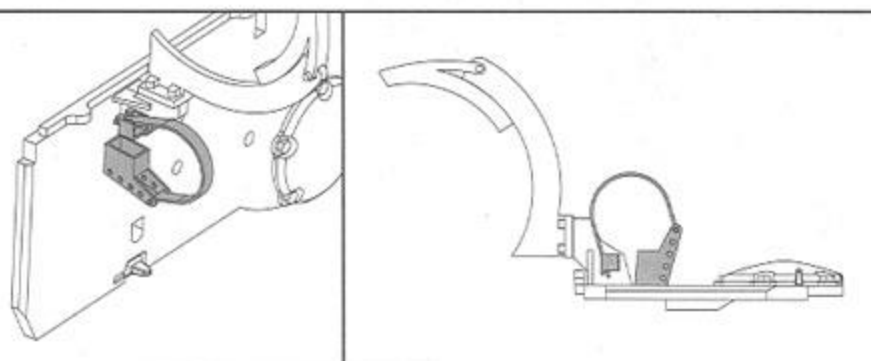
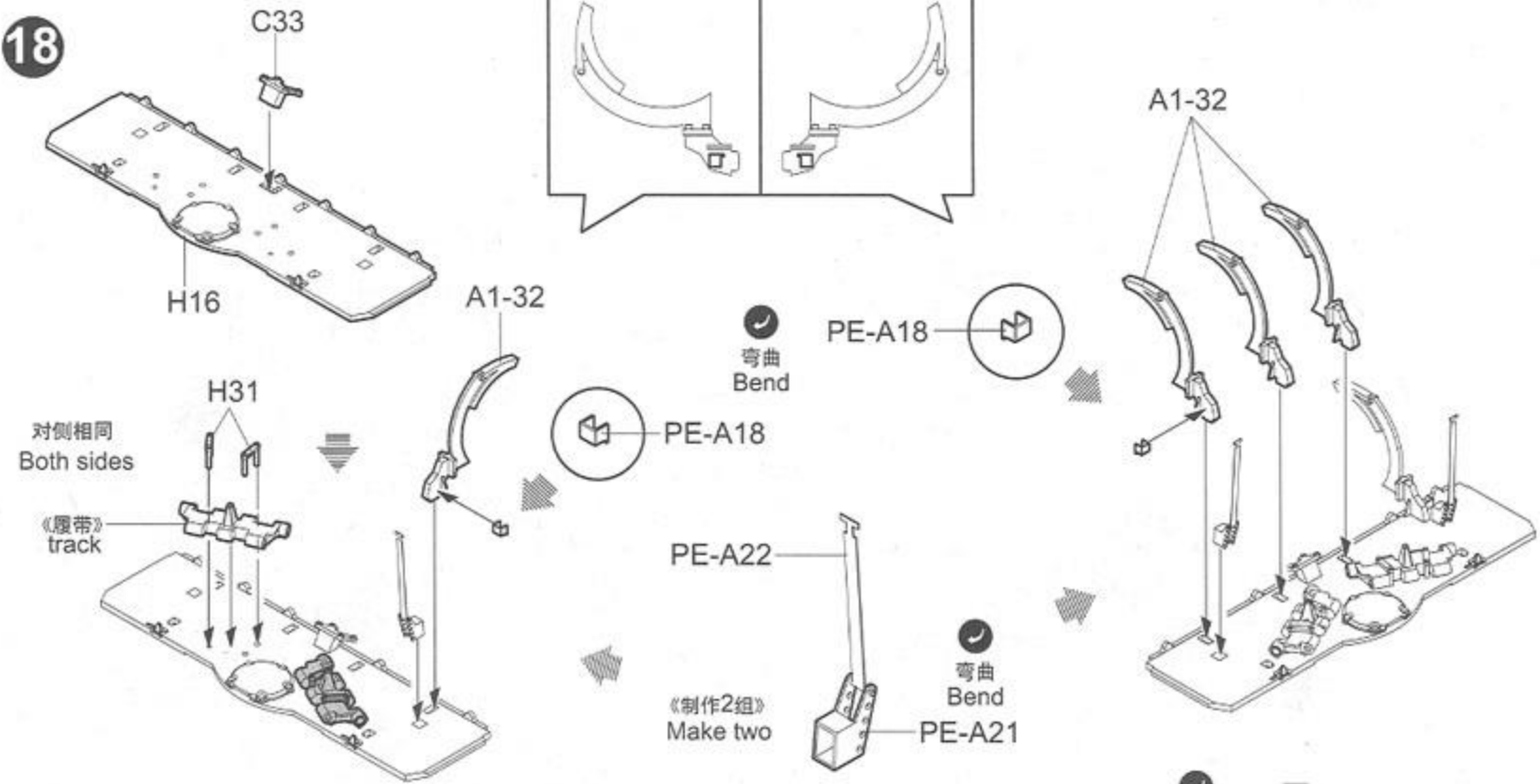
16

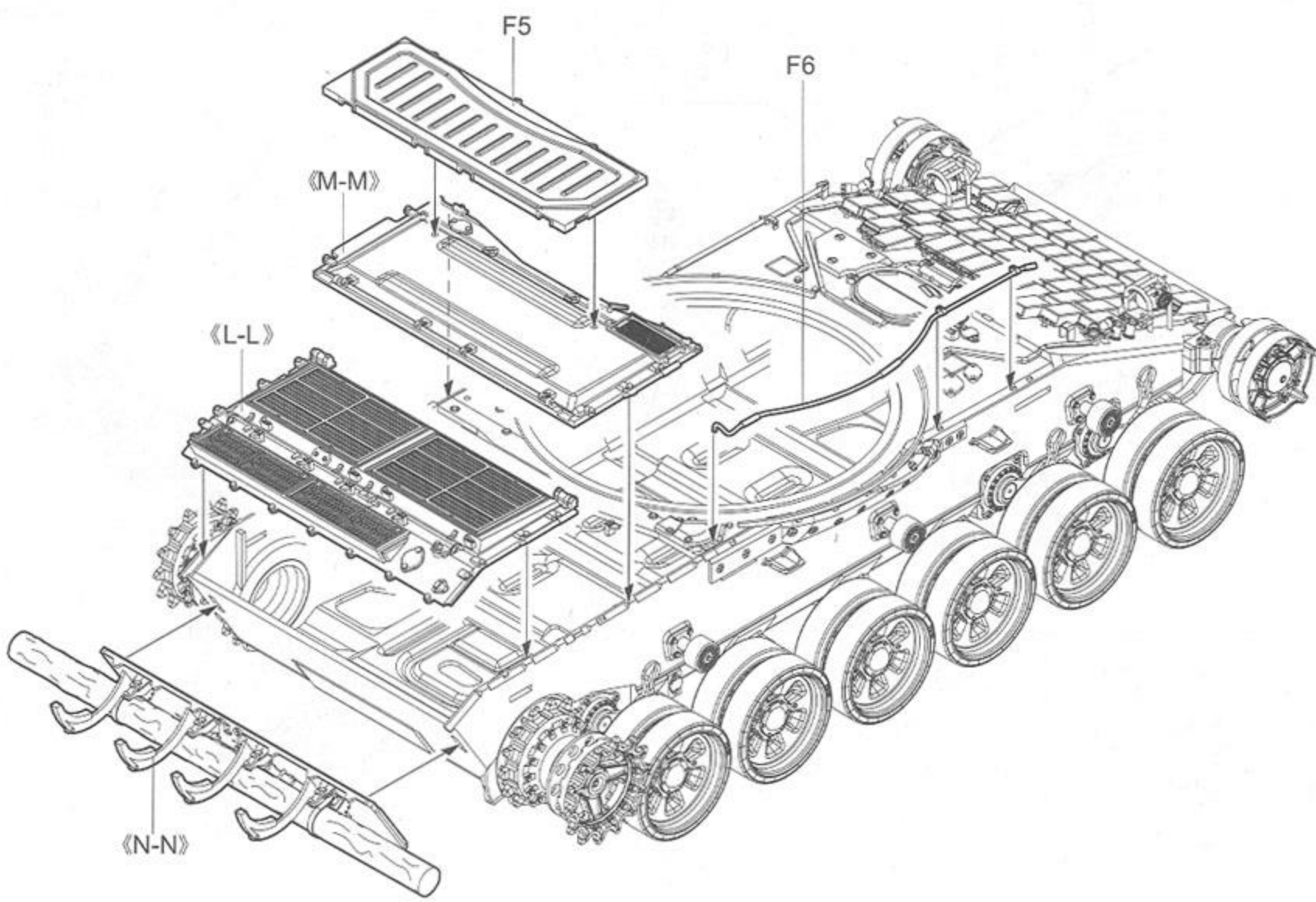
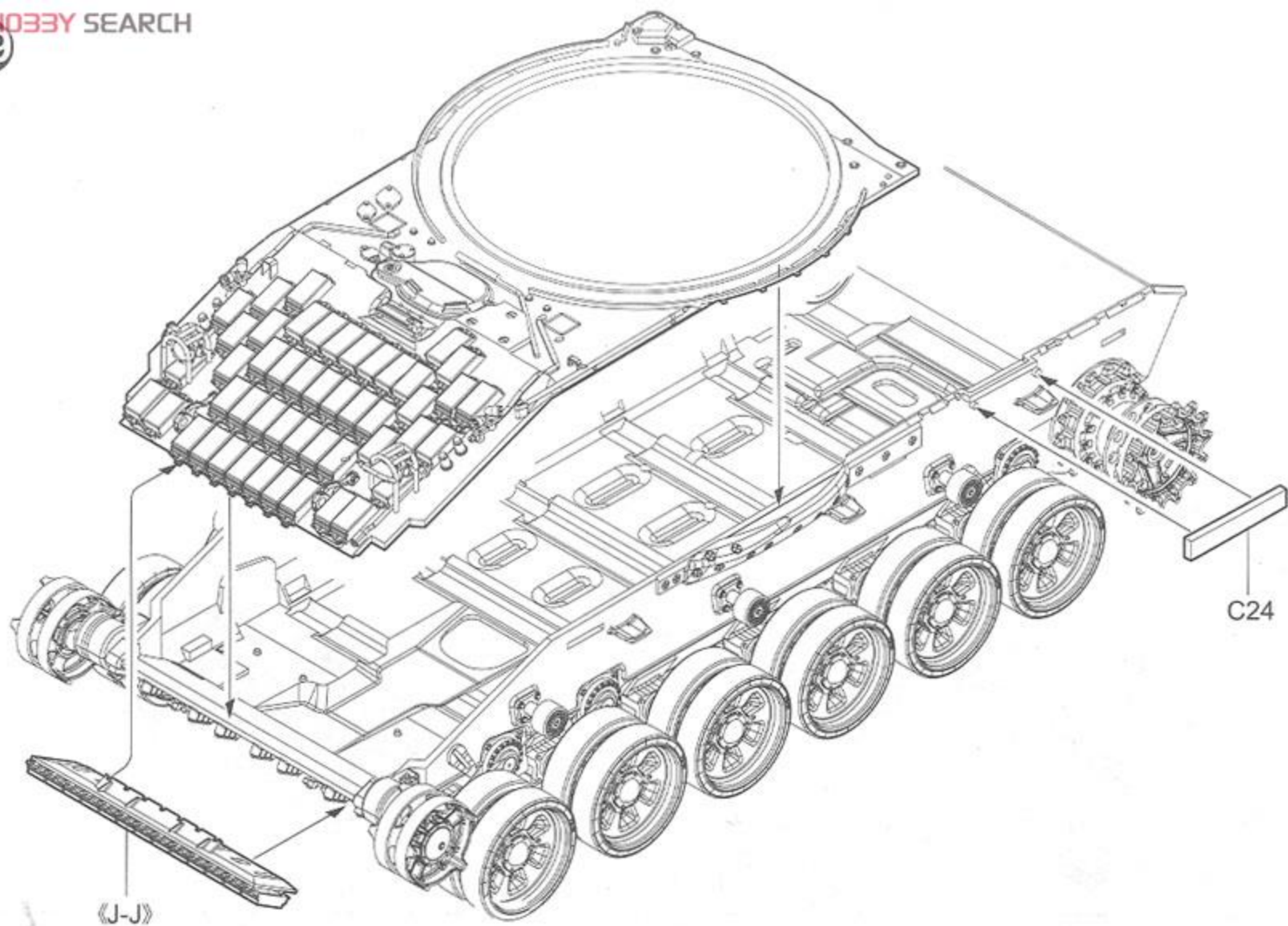


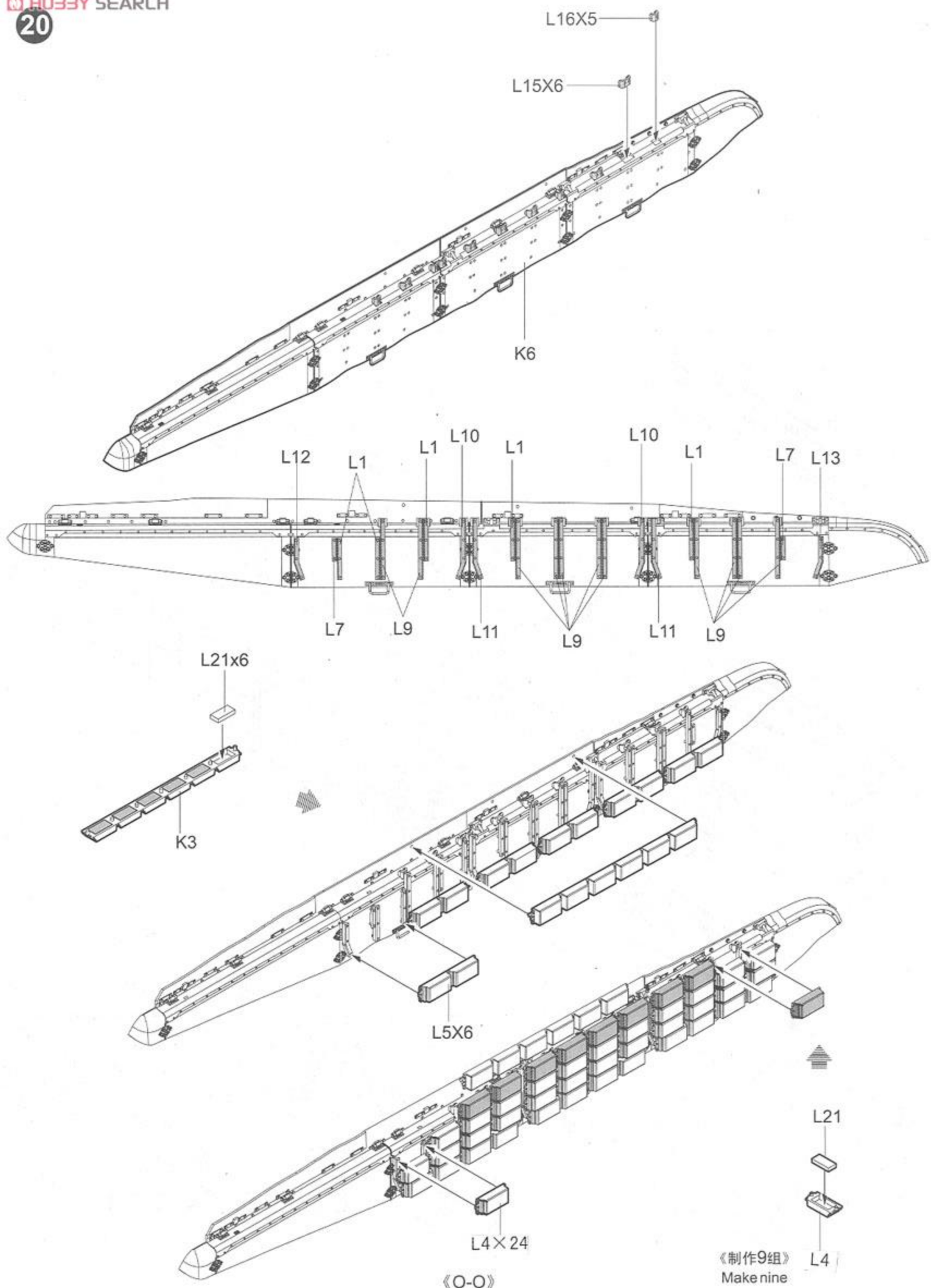
17



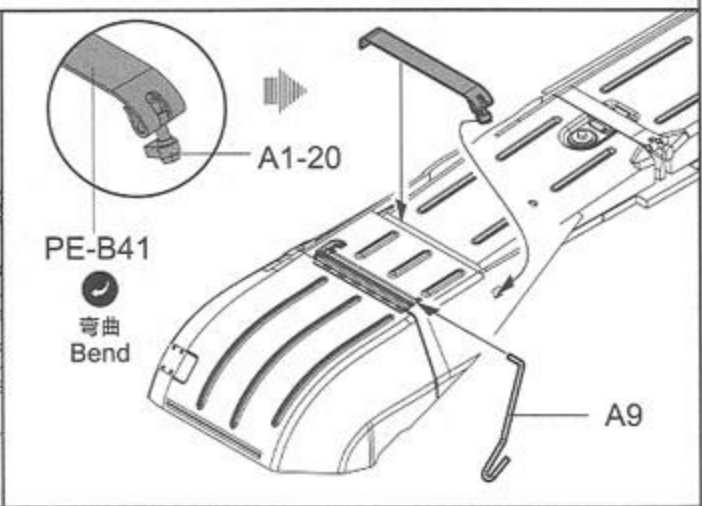
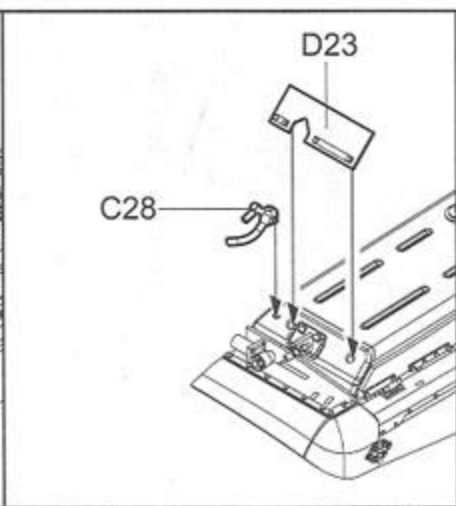
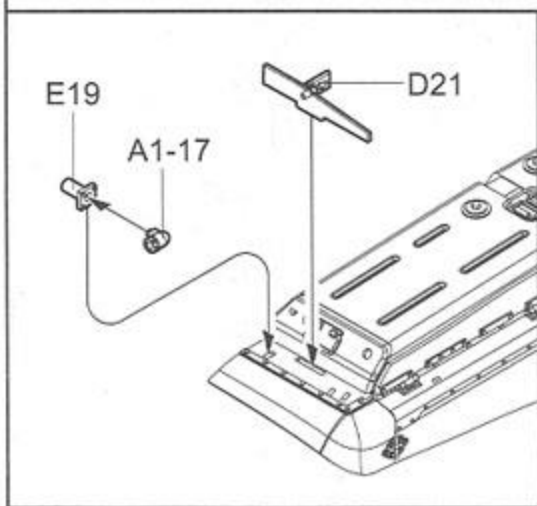
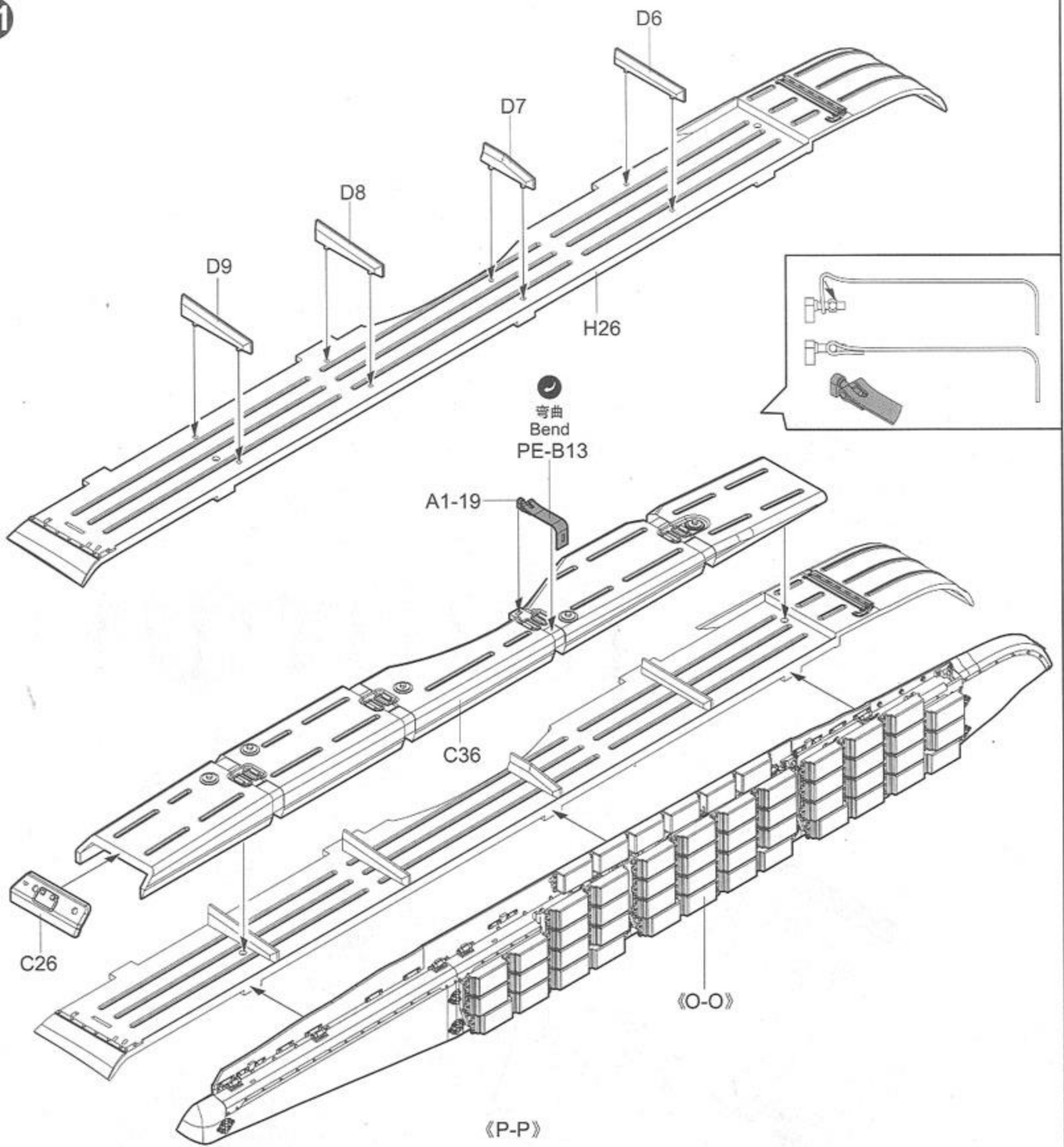
18



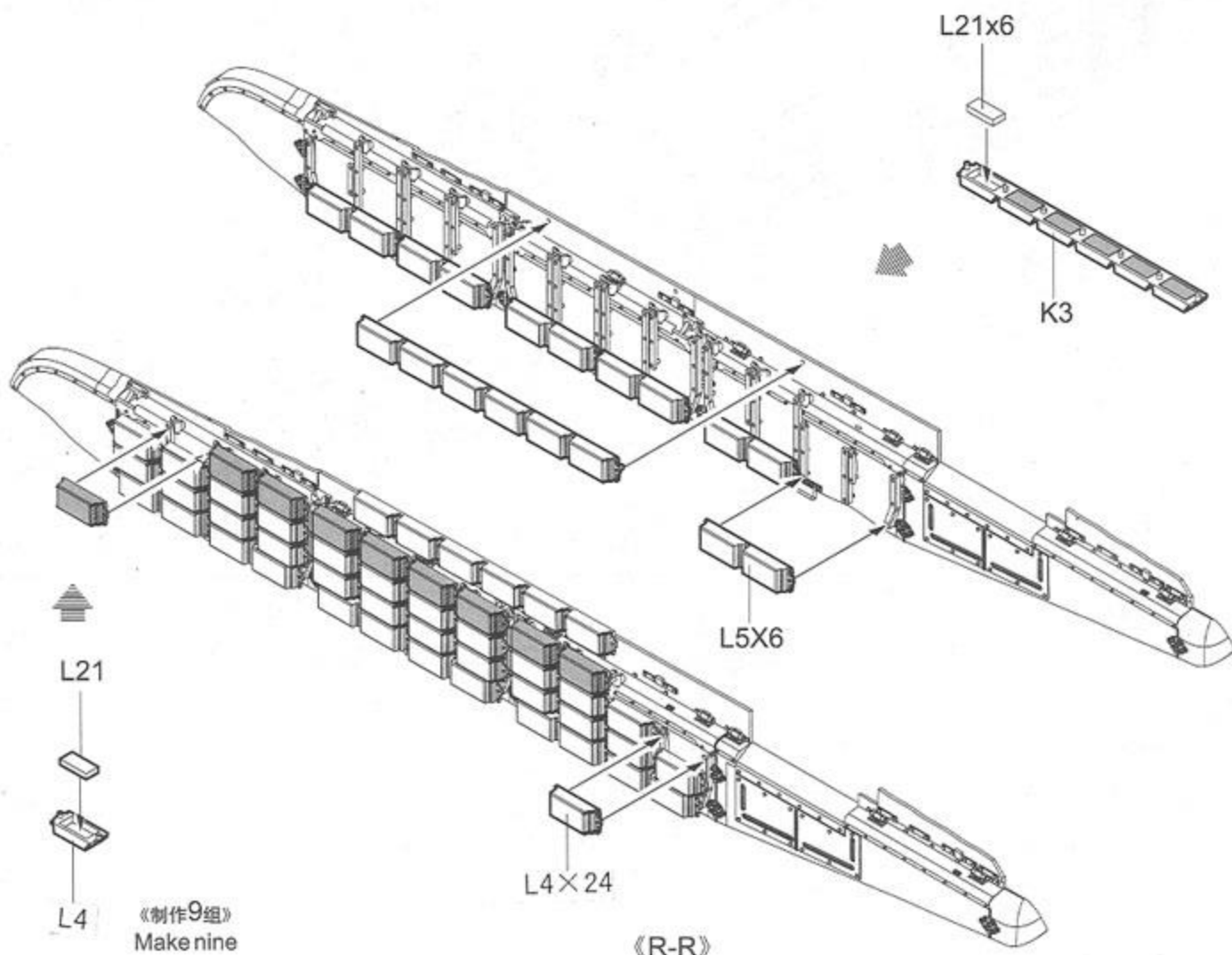
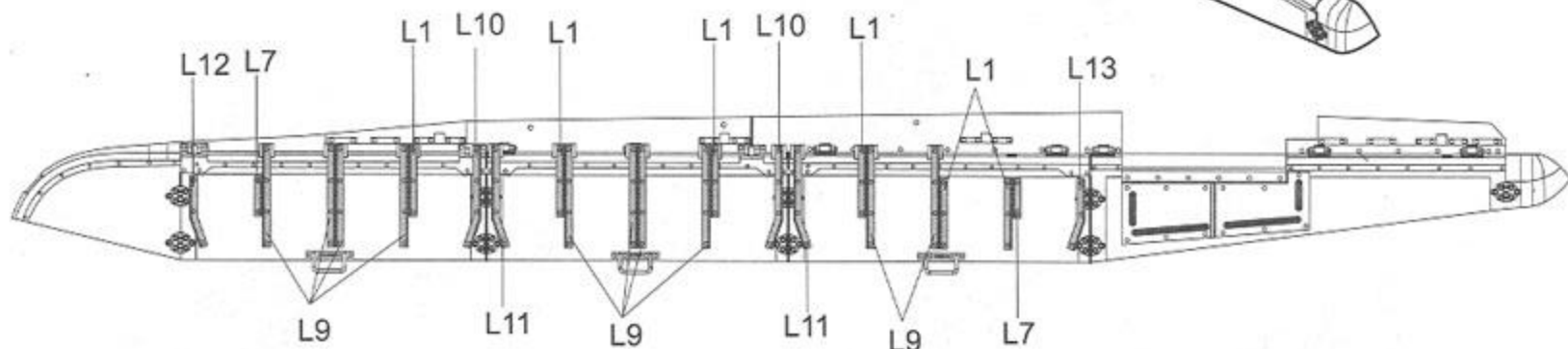
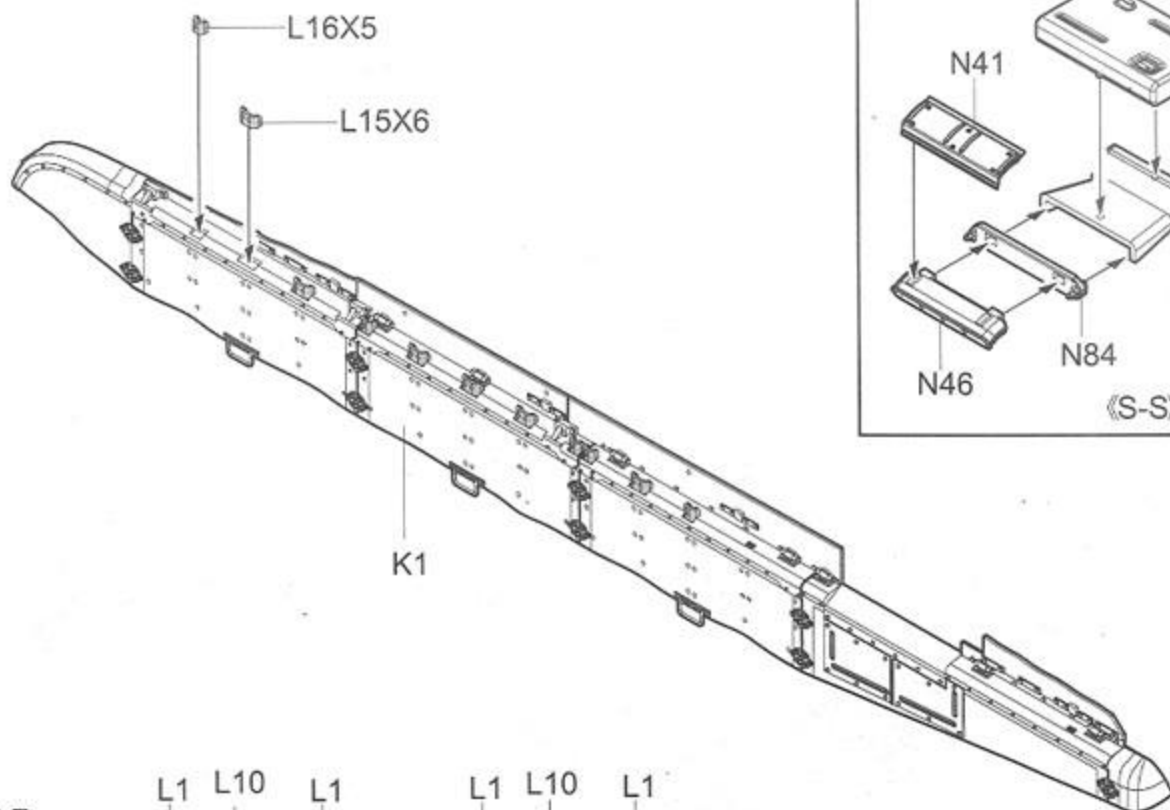




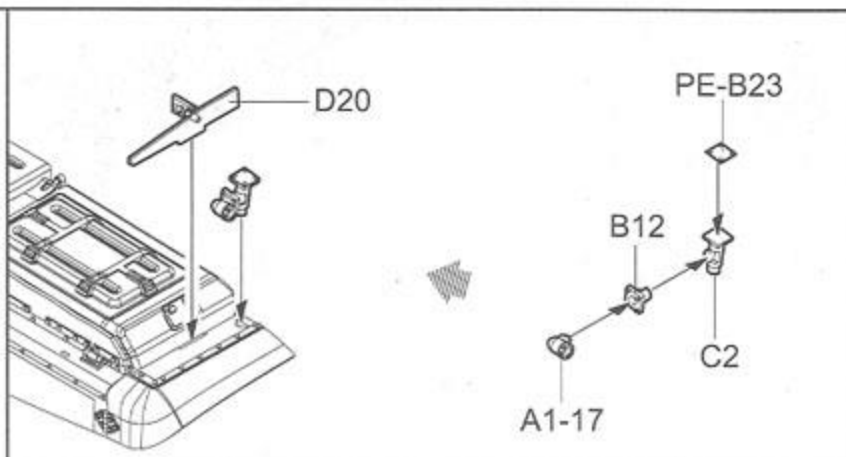
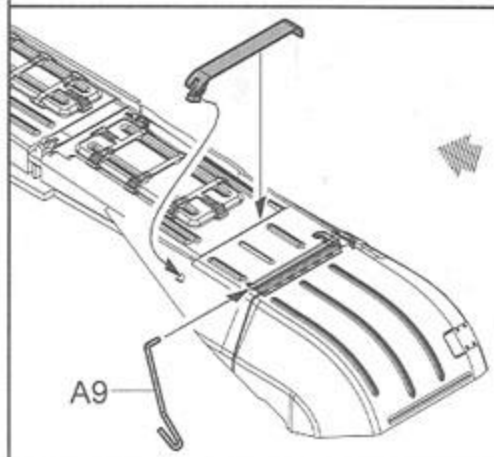
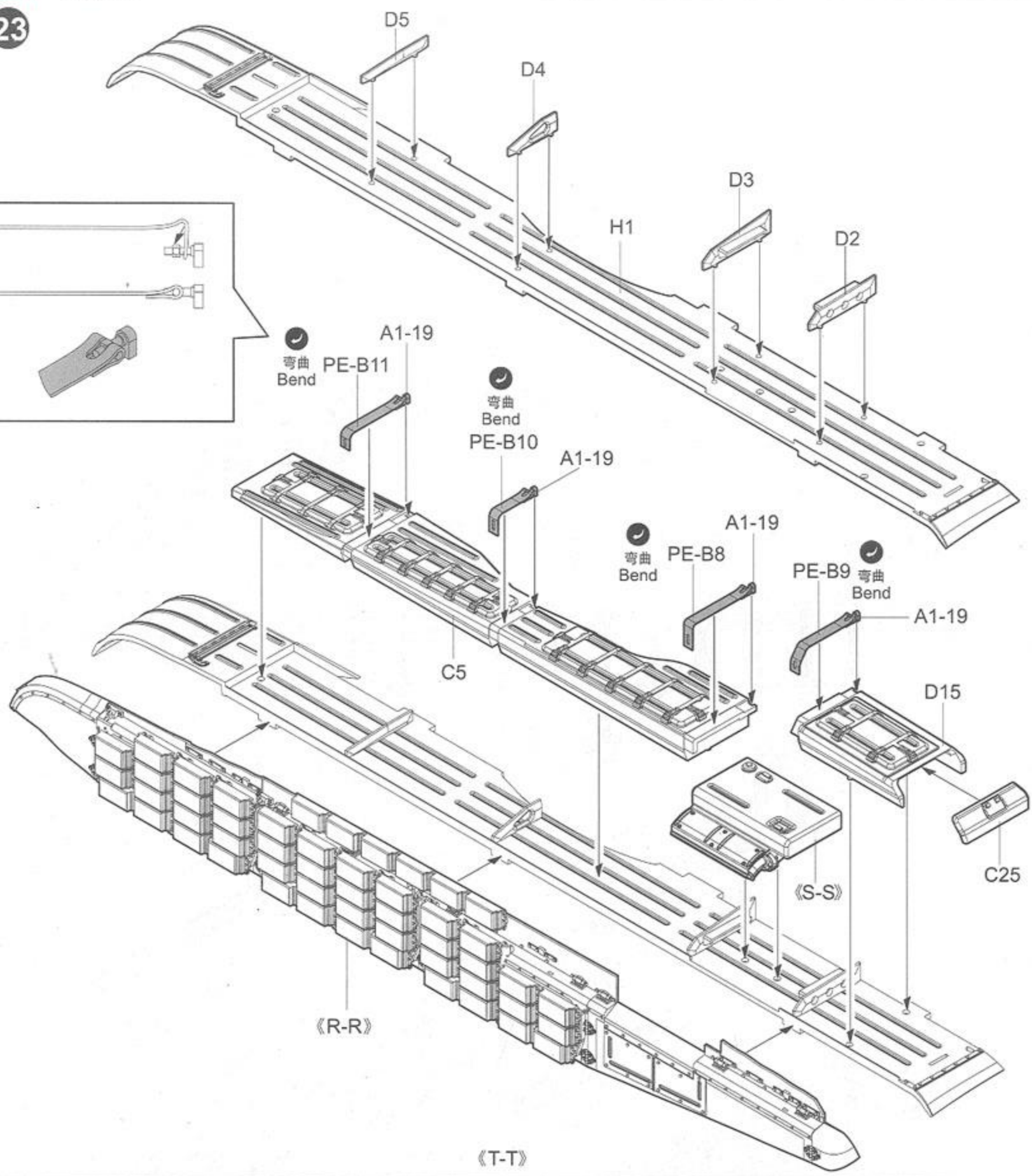
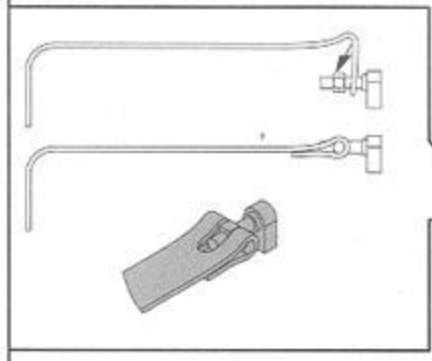
21



22

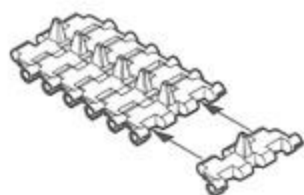


23

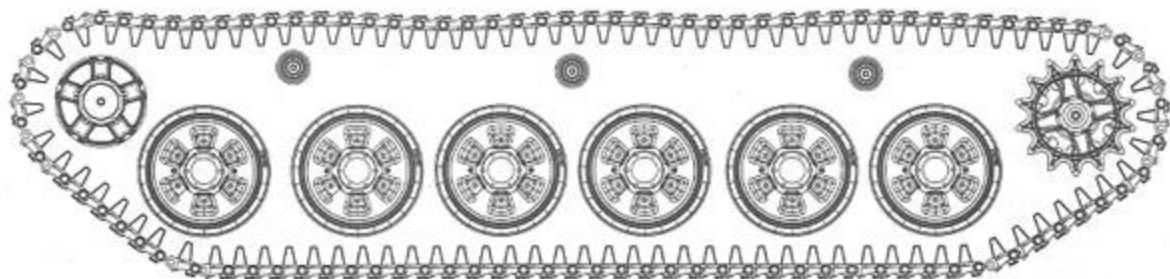


24

履带组装
Track assembly

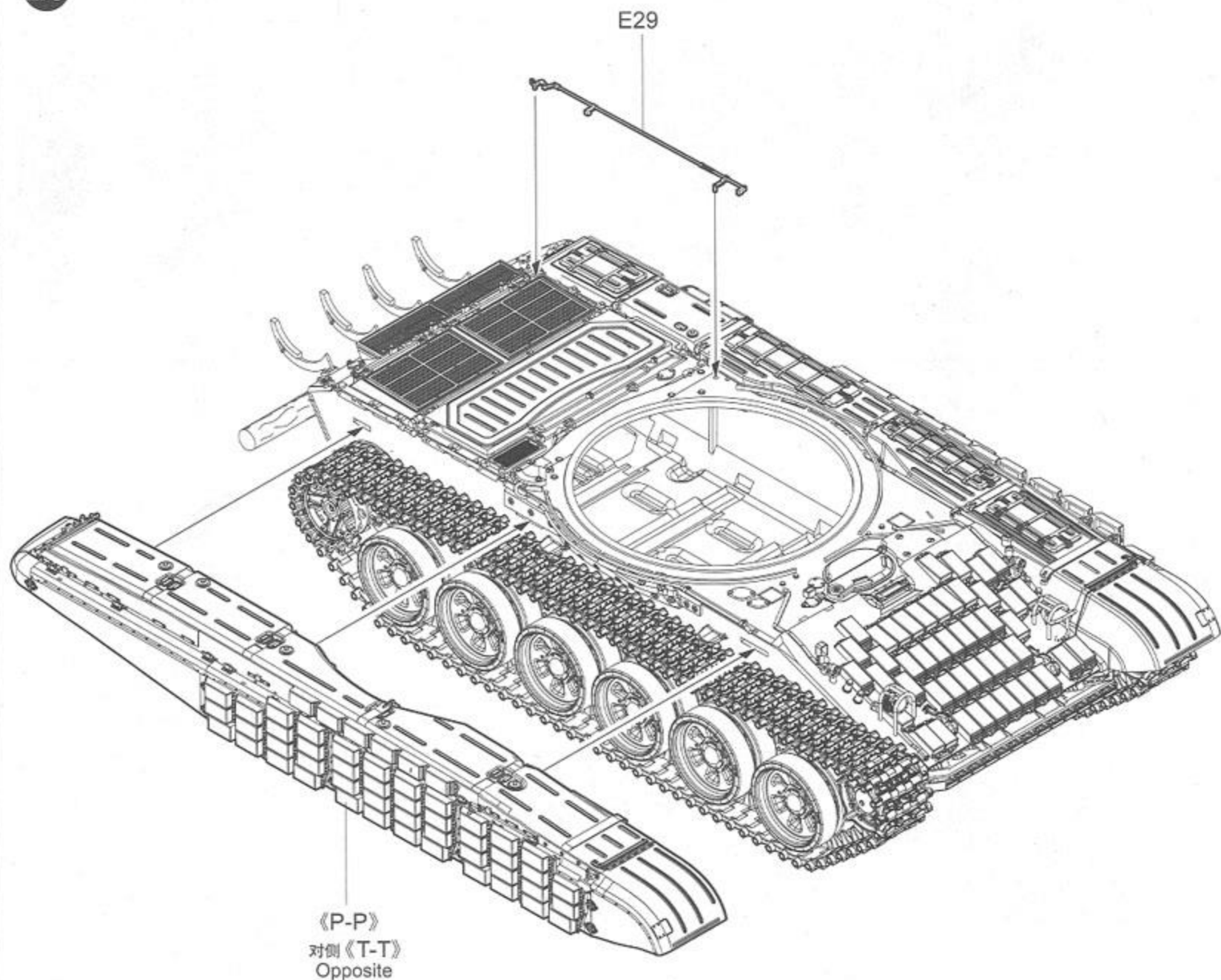


单侧履约需95节
Complete track for one
side require 95 links



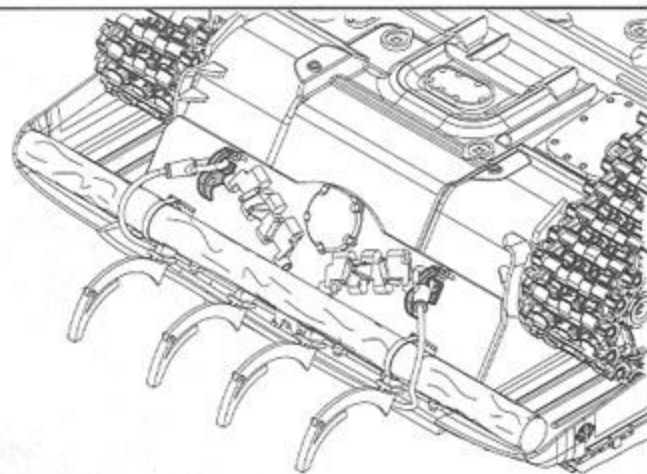
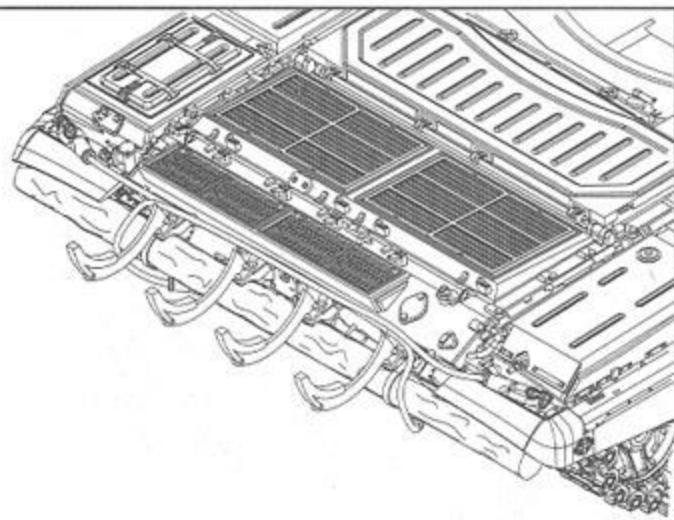
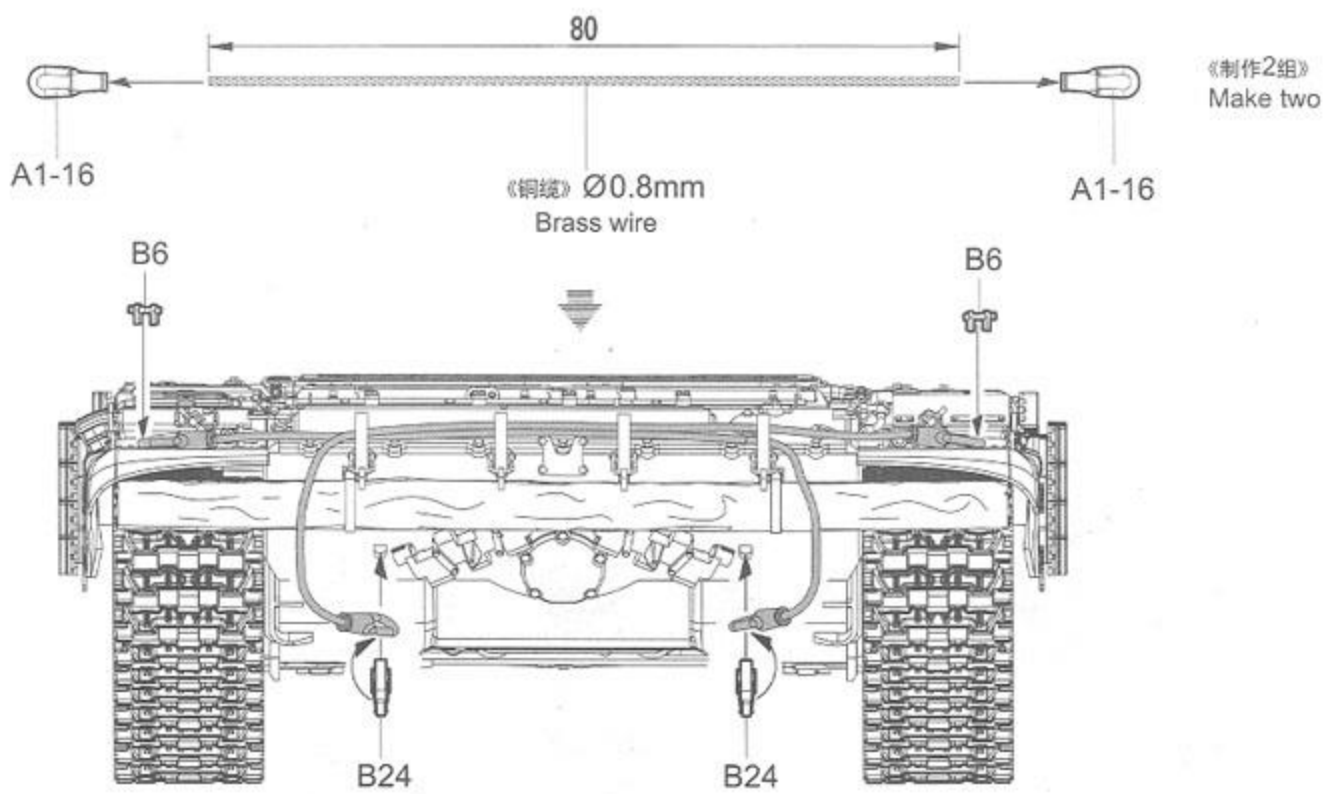
《制作2组》
Make two

25

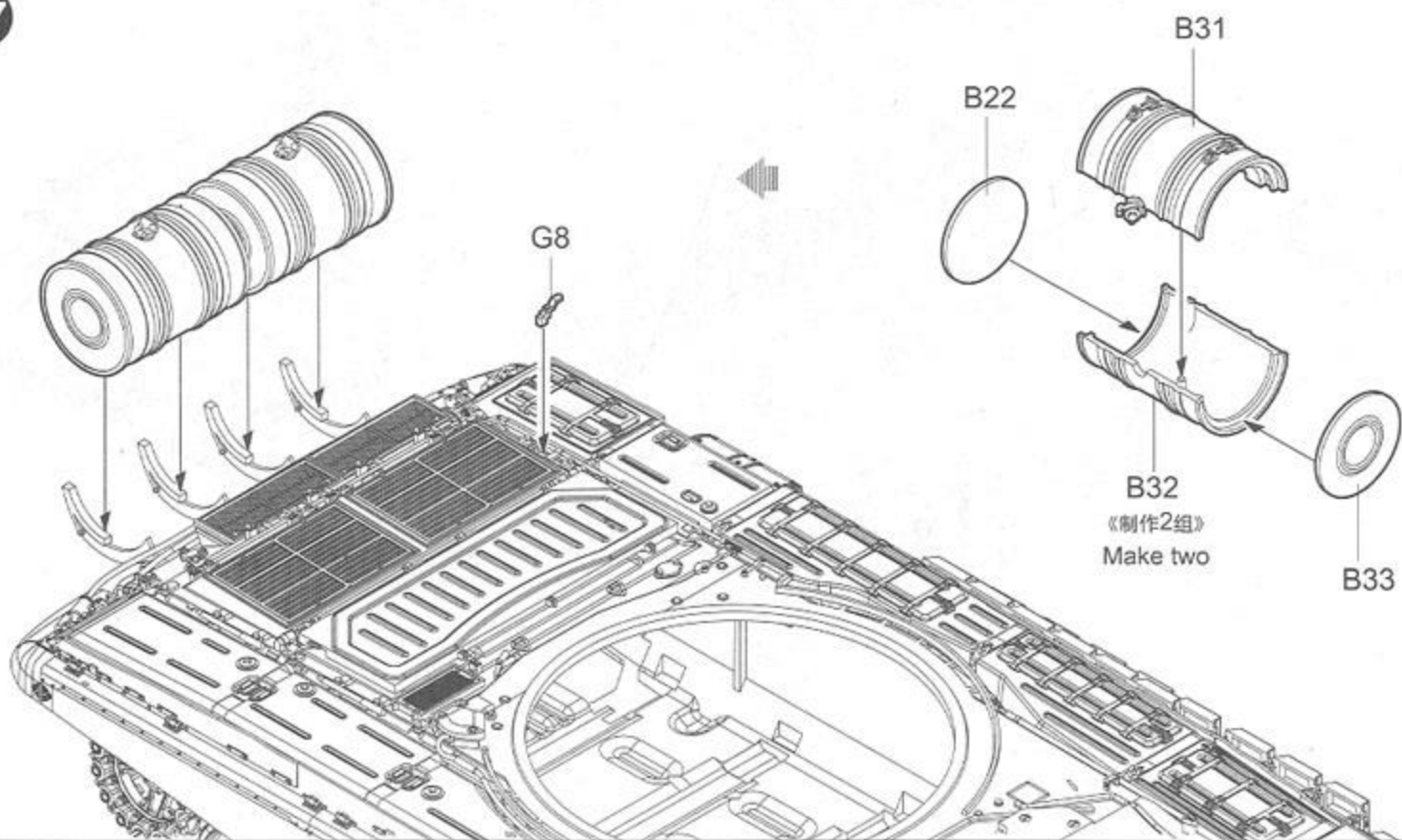


《P-P》
对侧《T-T》
Opposite

26



27



28

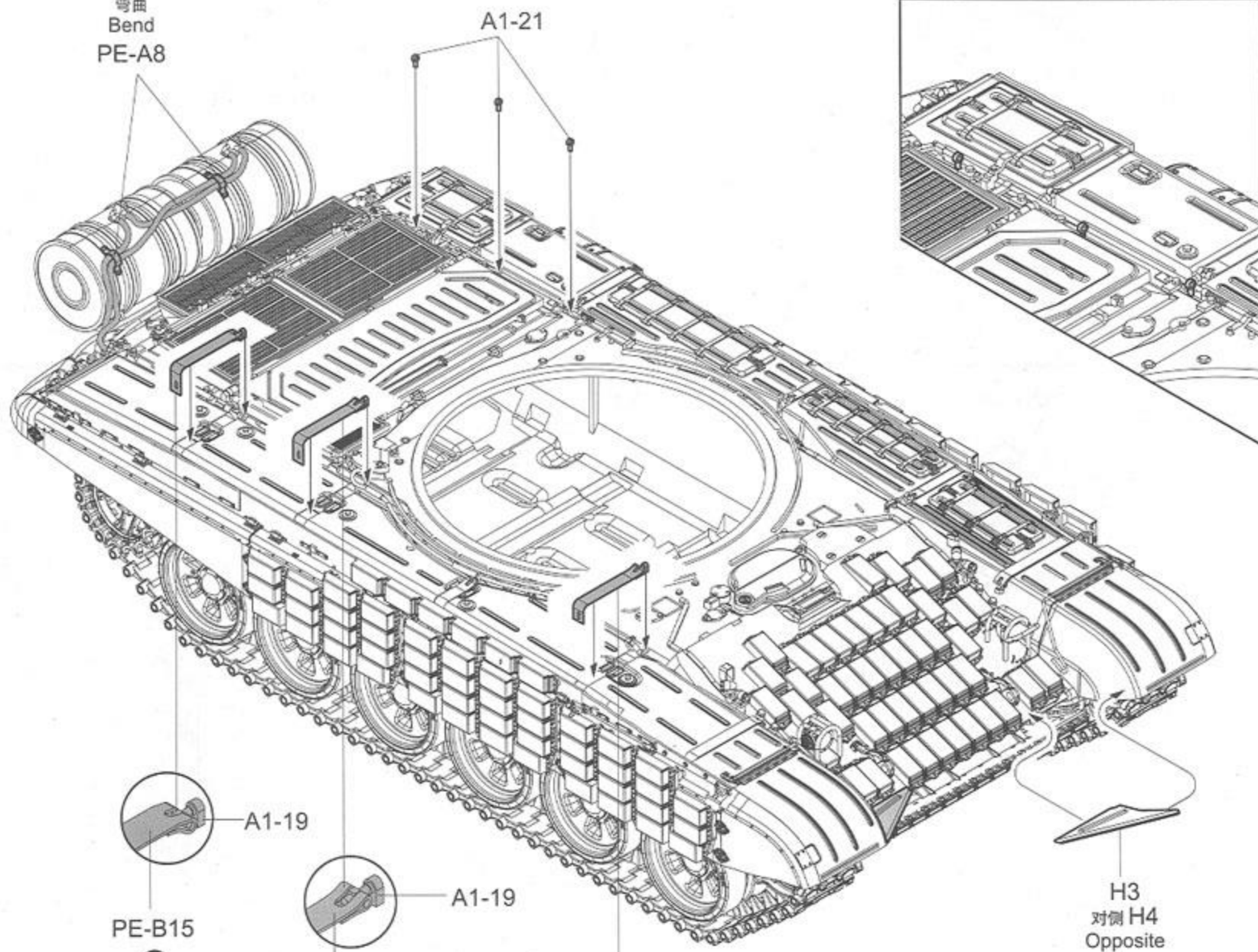
《软管》 Ø1.2x35mm
Vinyl tubing

《软管》 Ø1.2x30mm
Vinyl tubing

《软管》 Ø1.2x60mm
Vinyl tubing

弯曲
Bend
PE-A8

A1-21



PE-B15

弯曲
Bend

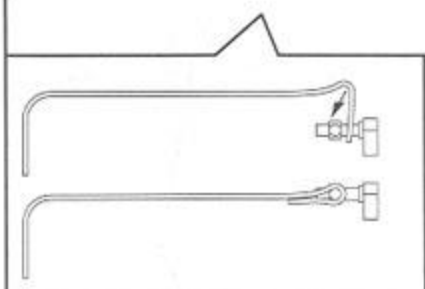
PE-B12

弯曲
Bend

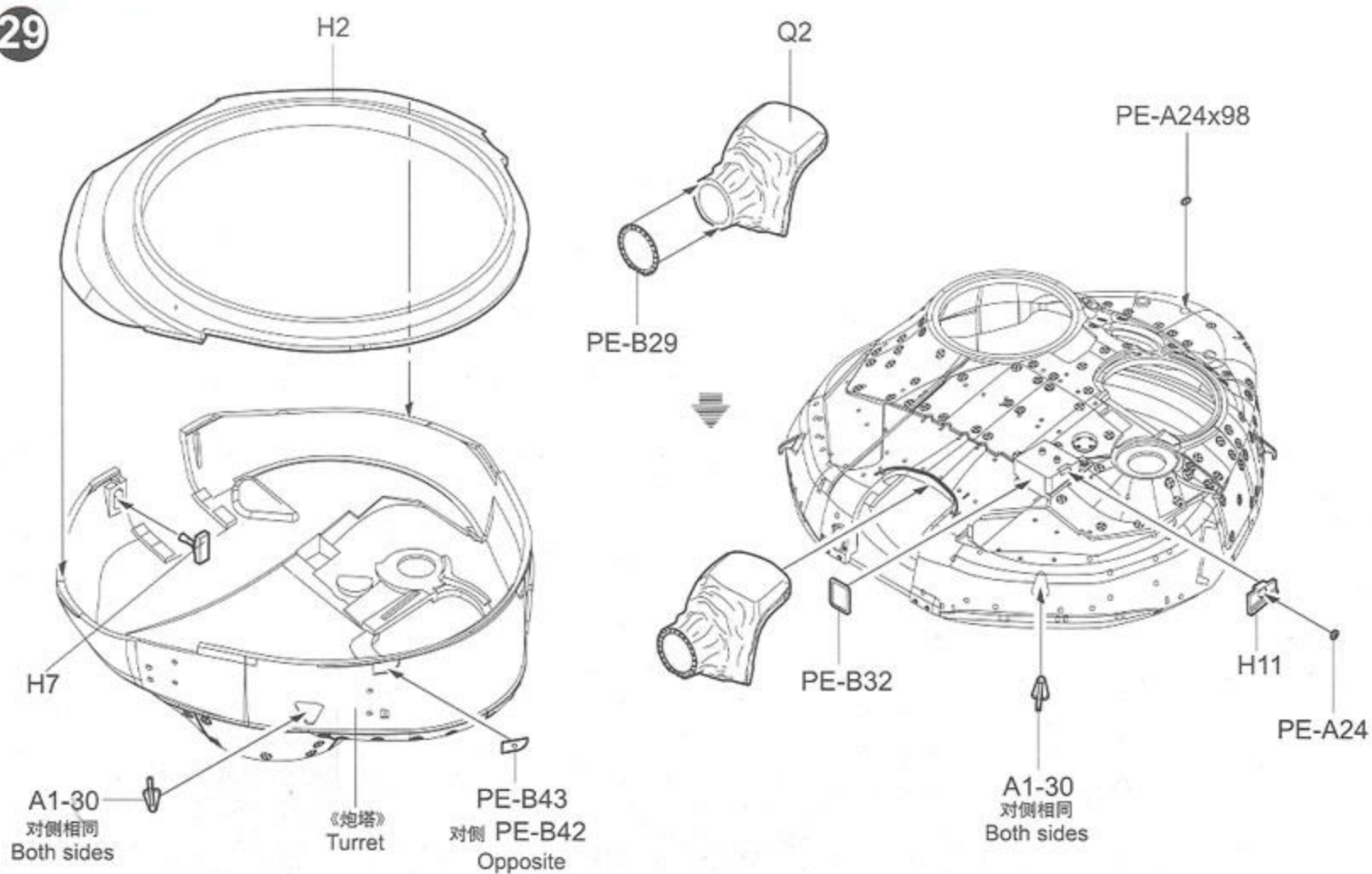
PE-B14

弯曲
Bend

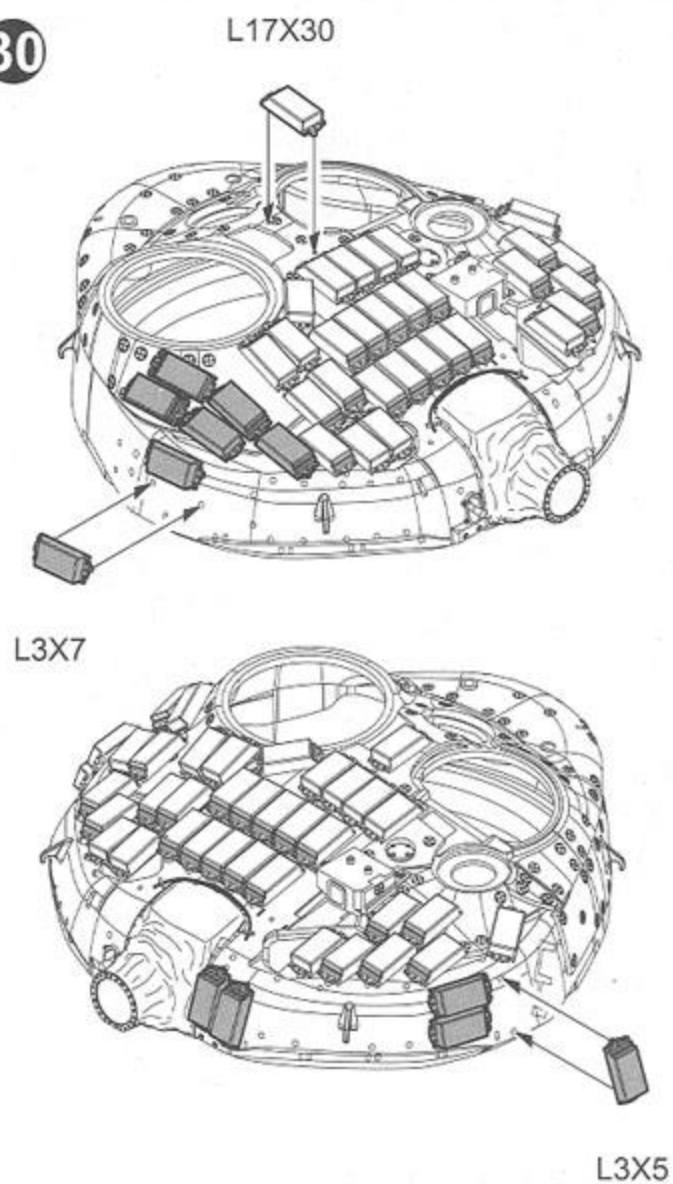
H3
对侧 H4
Opposite



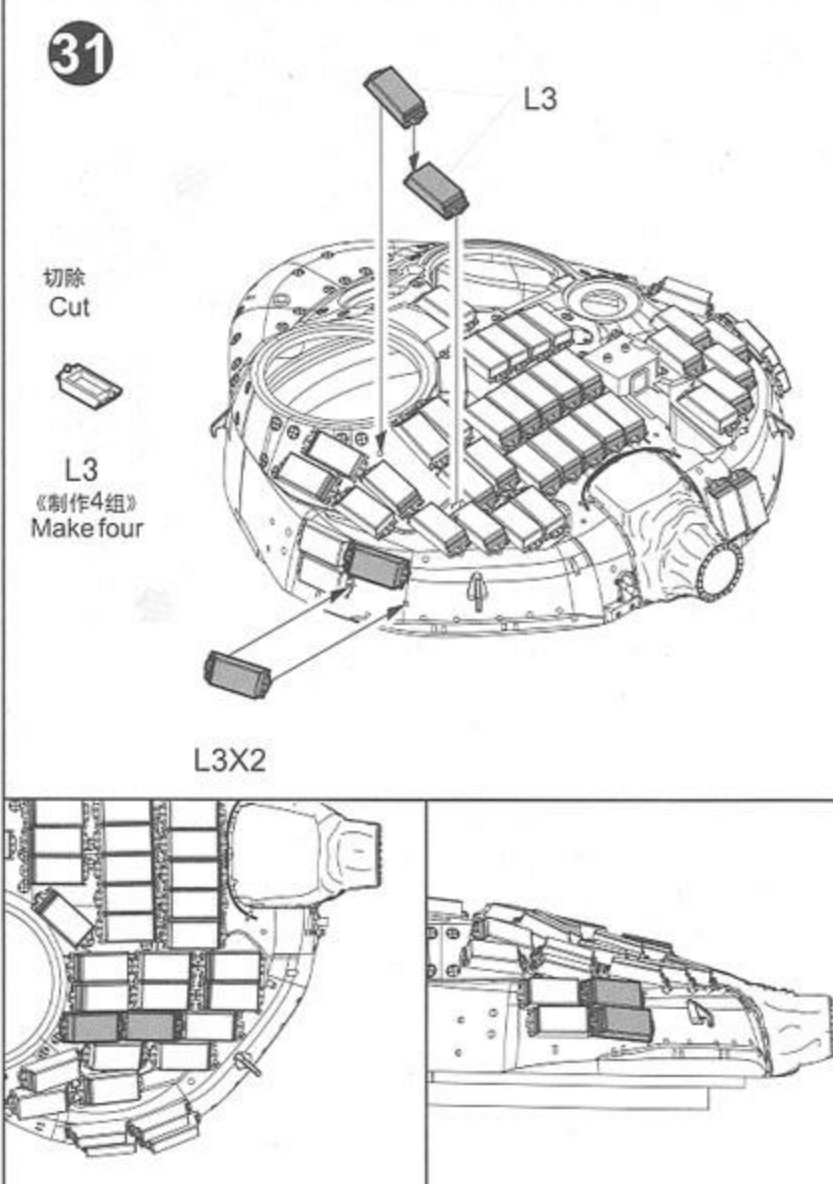
29

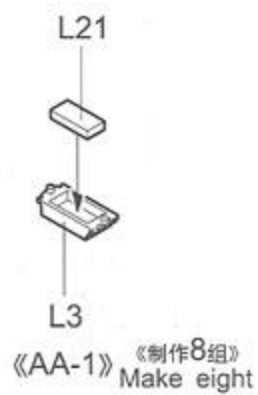
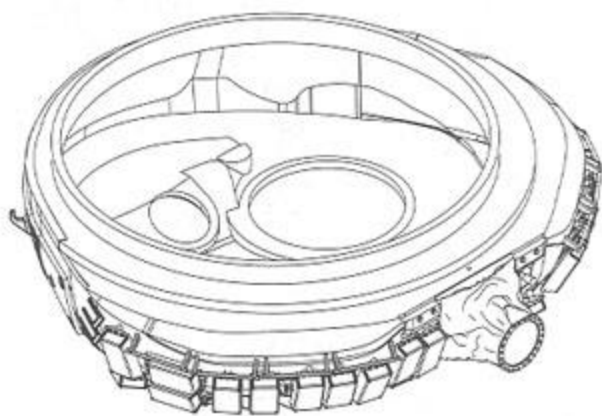
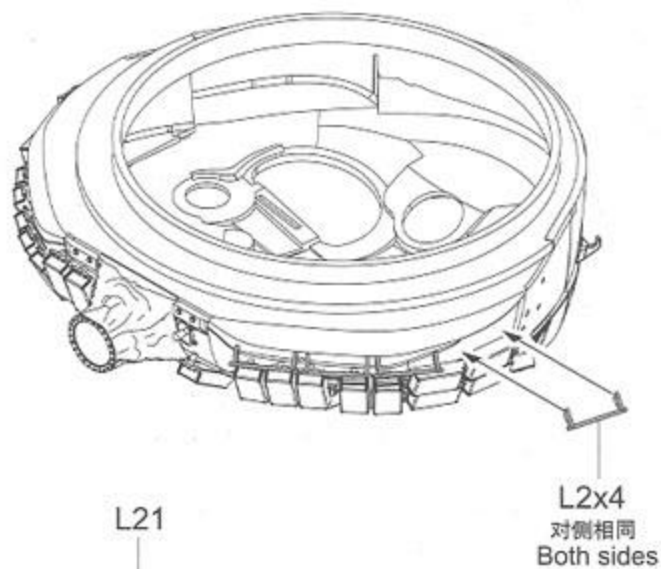
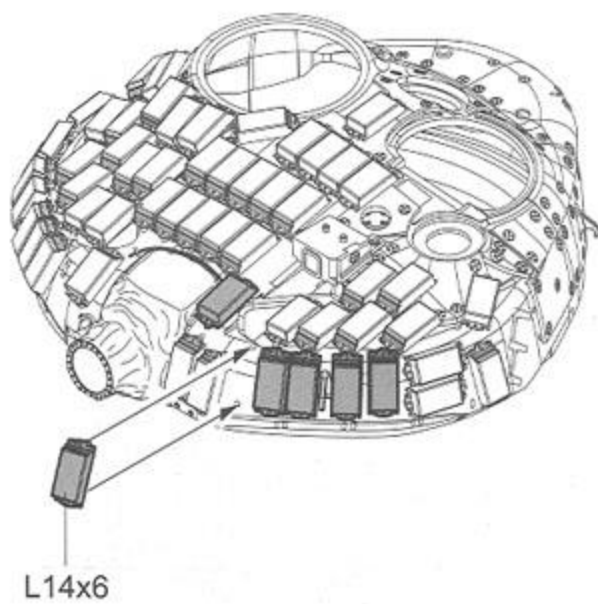
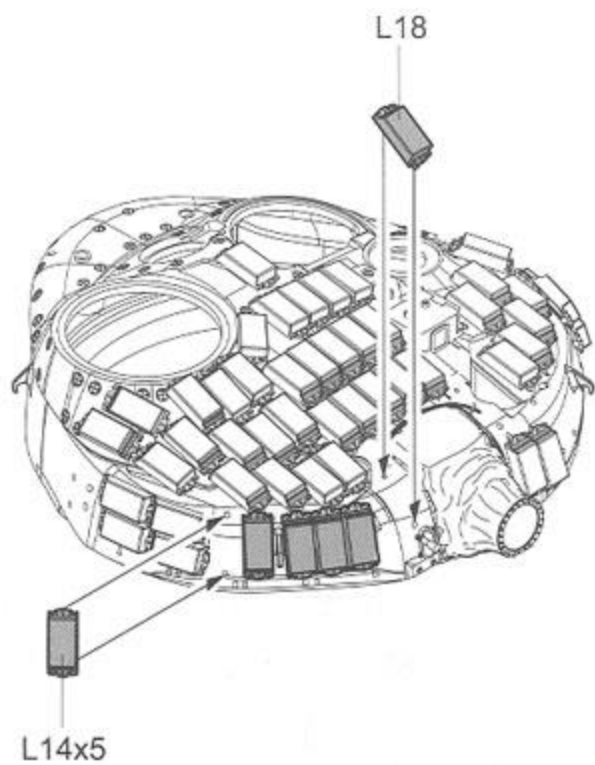


30

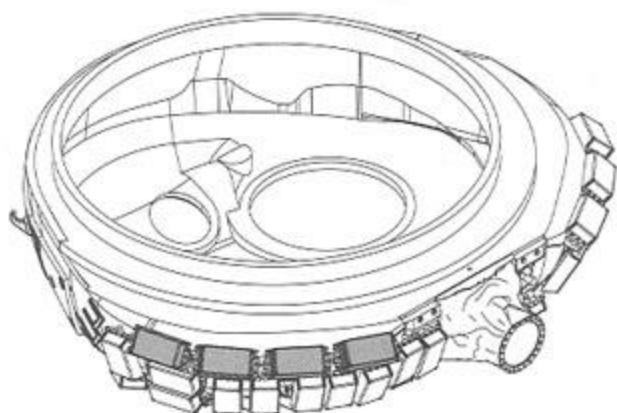
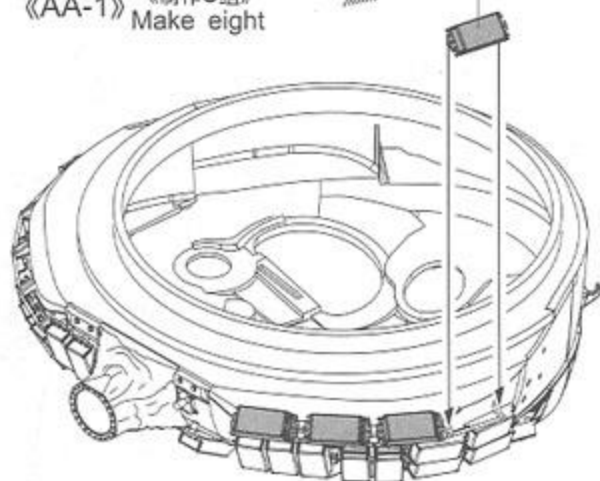


31

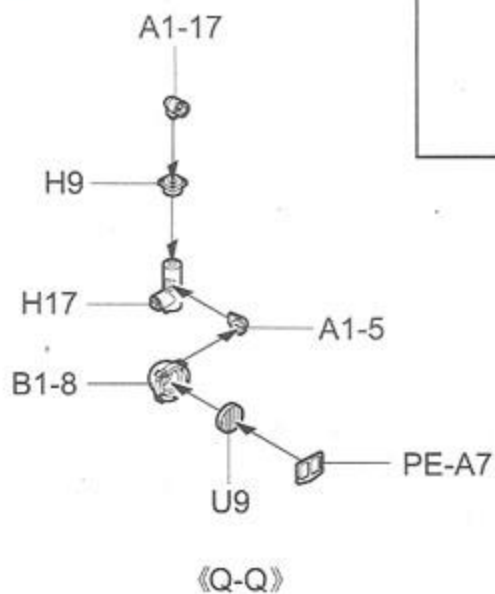




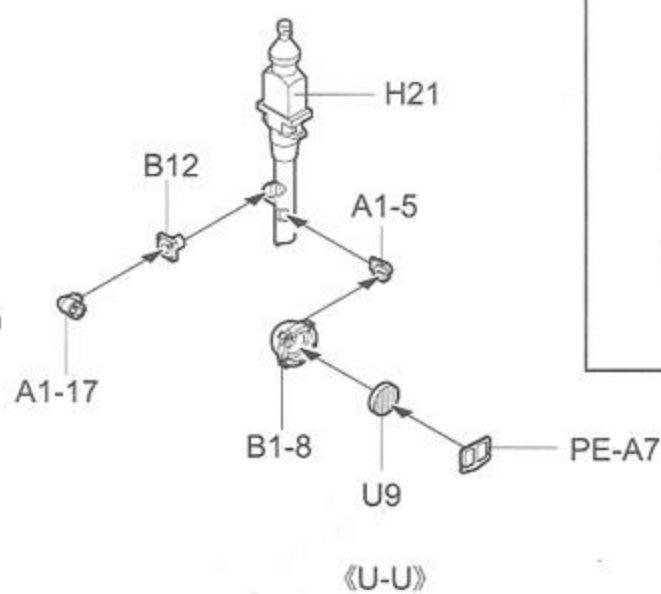
对侧相同
Both sides
《AA-1》



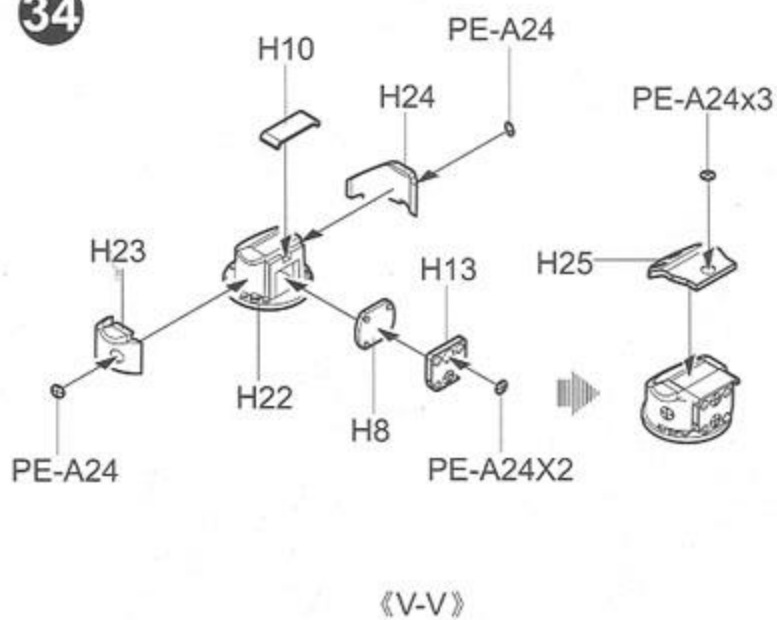
33



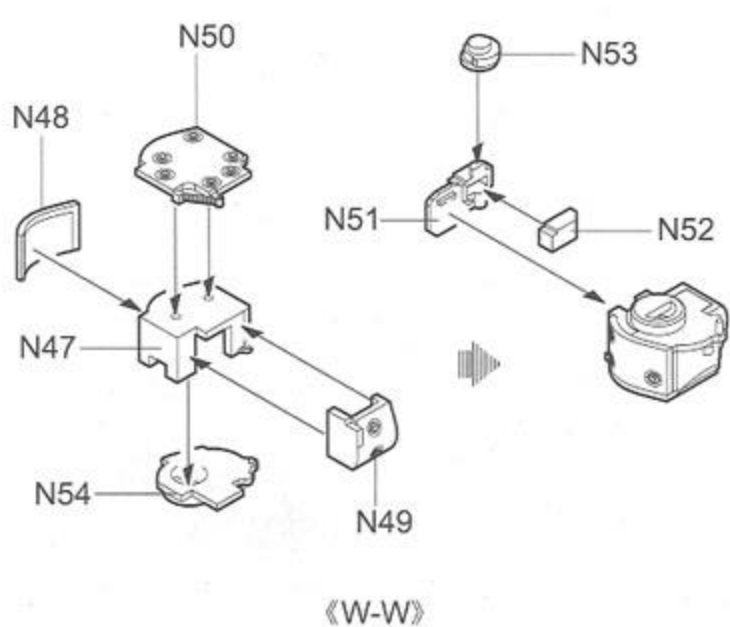
选择 Option



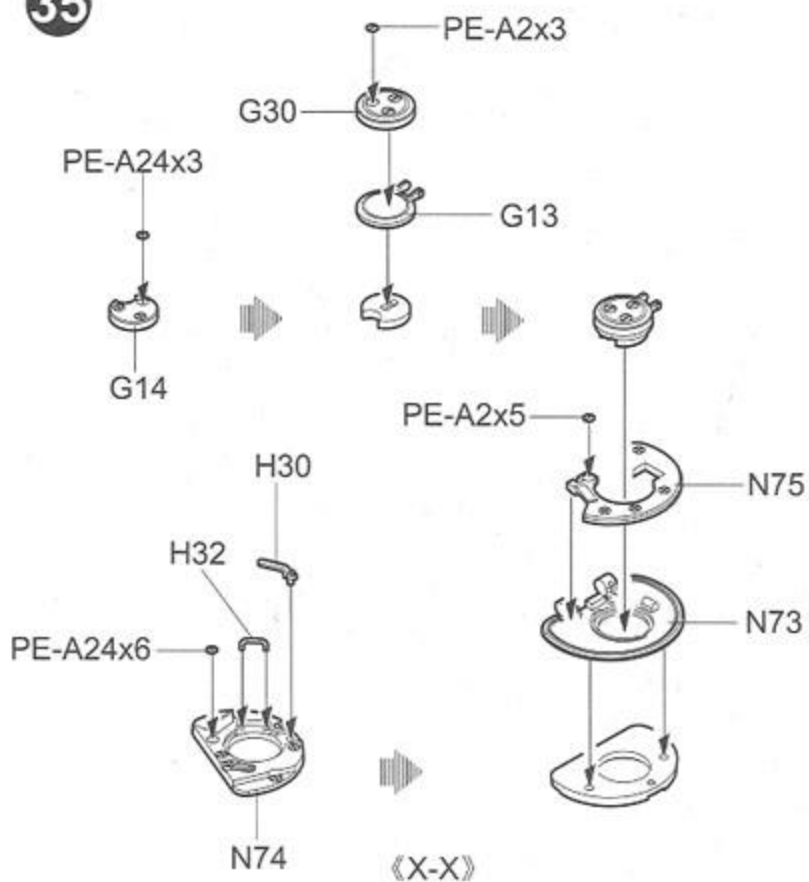
34



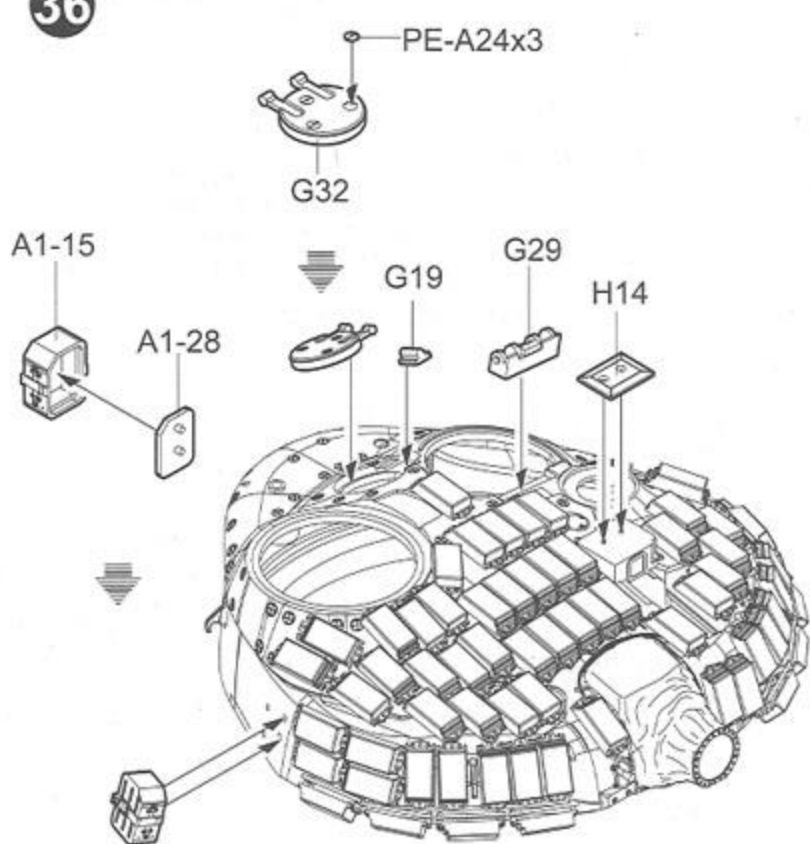
选择 Option



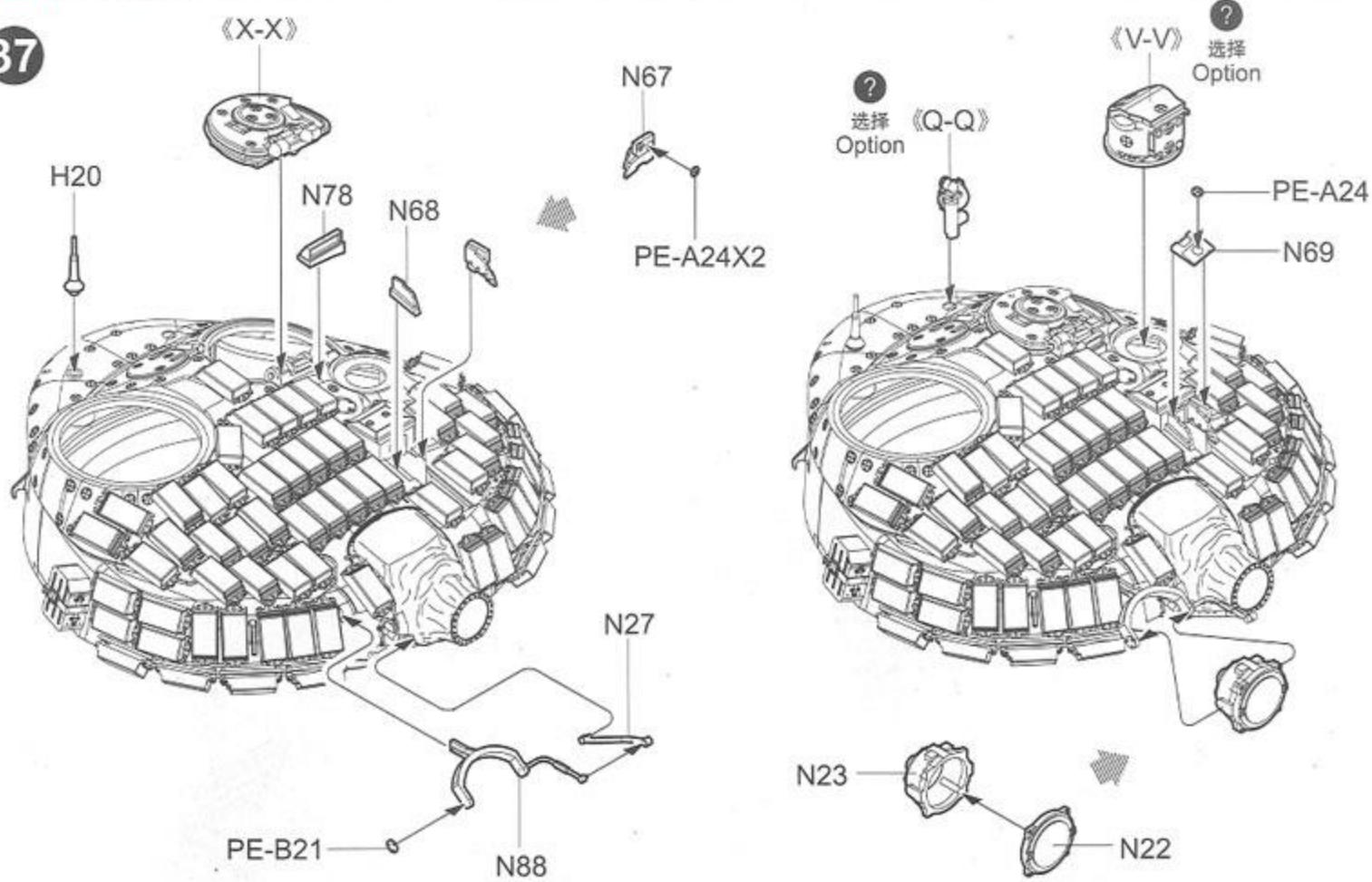
35



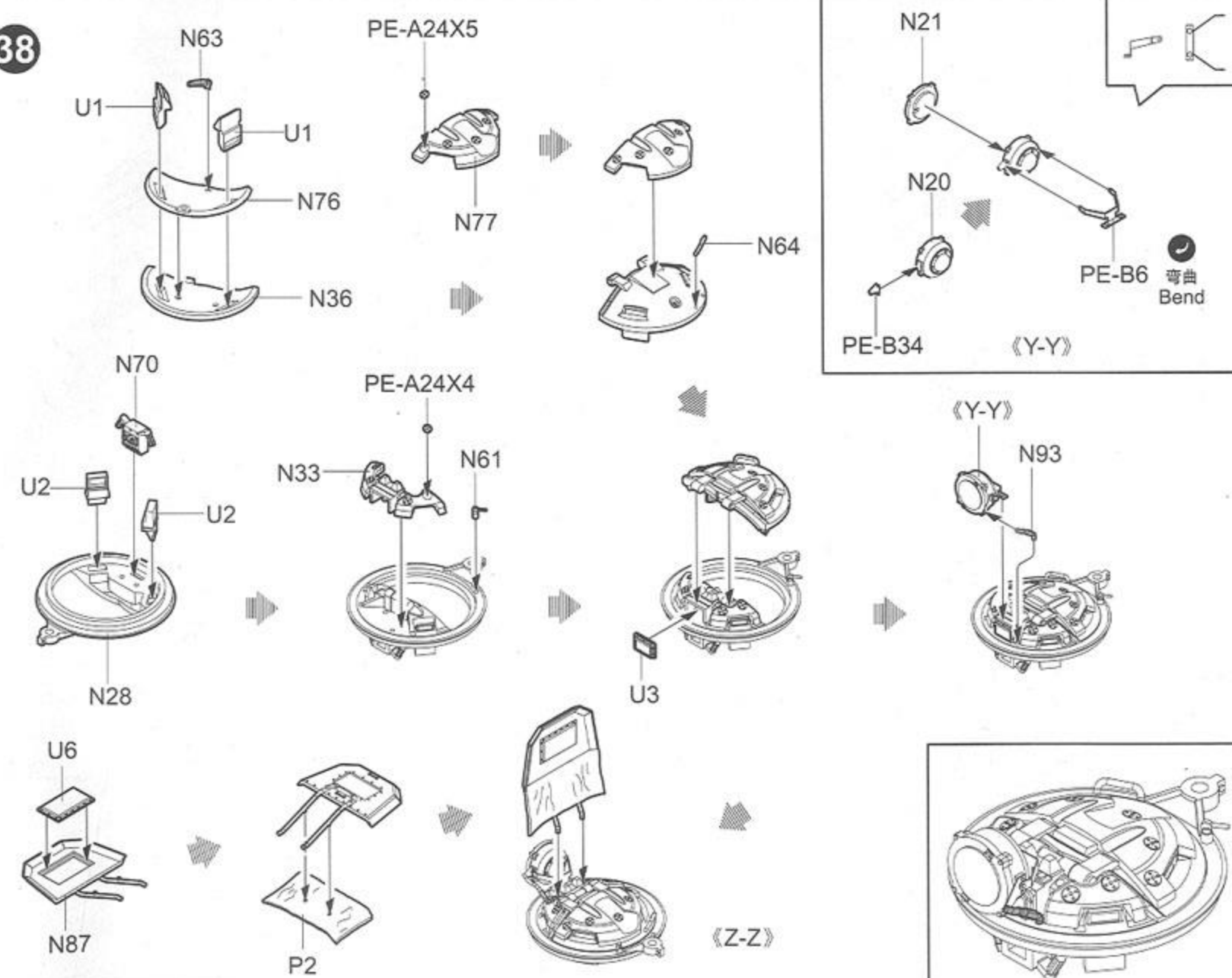
36



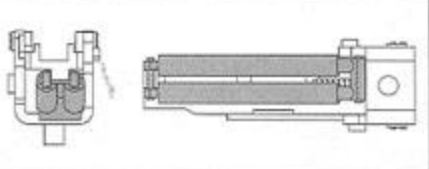
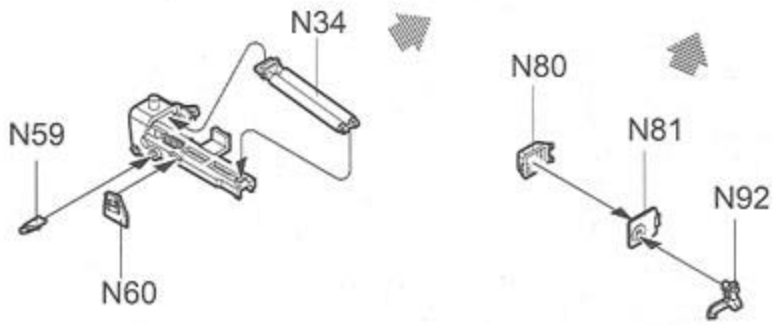
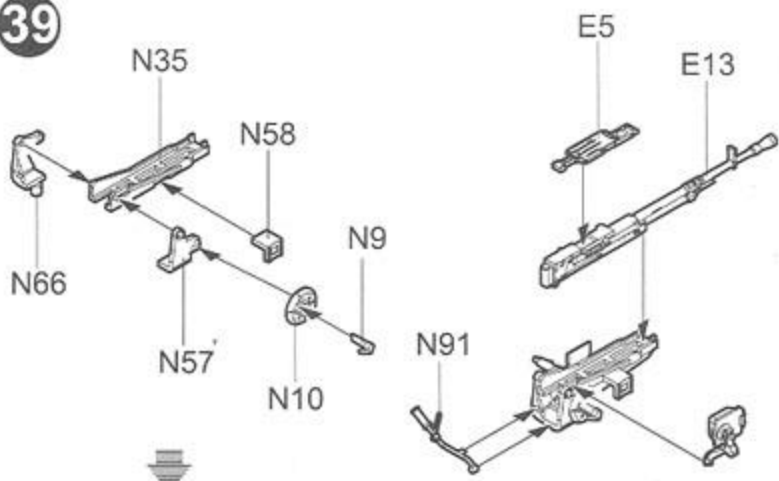
37



38

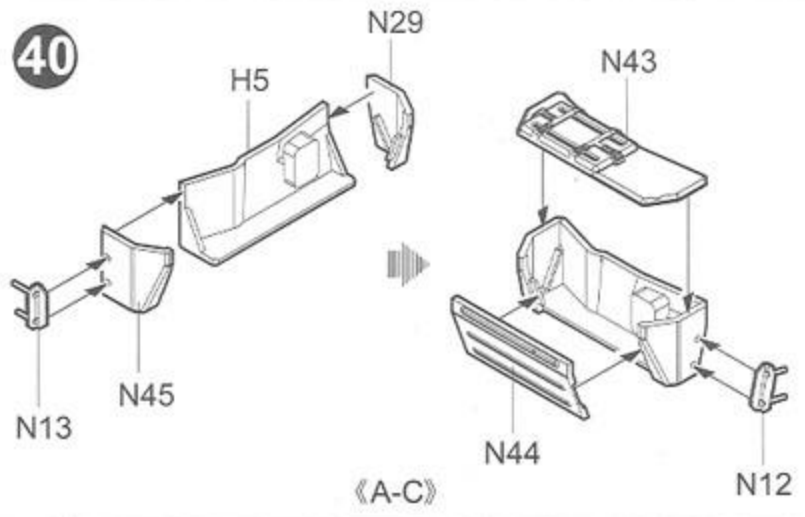


39



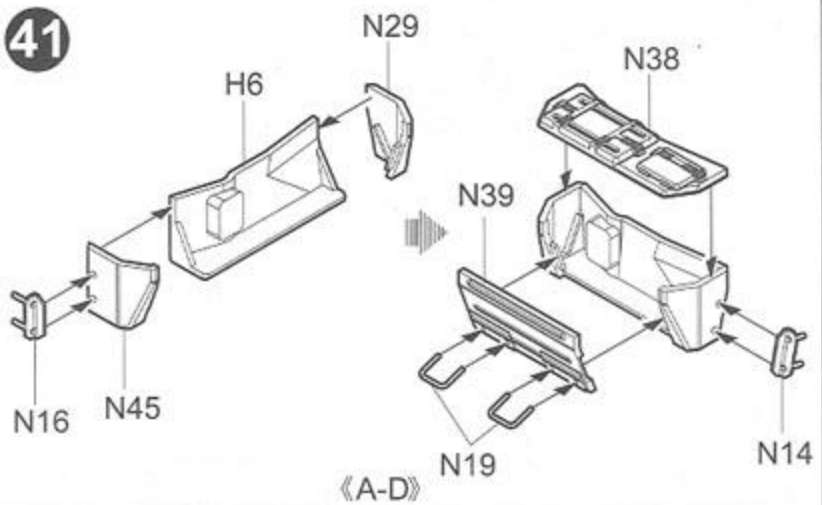
《A-B》

40



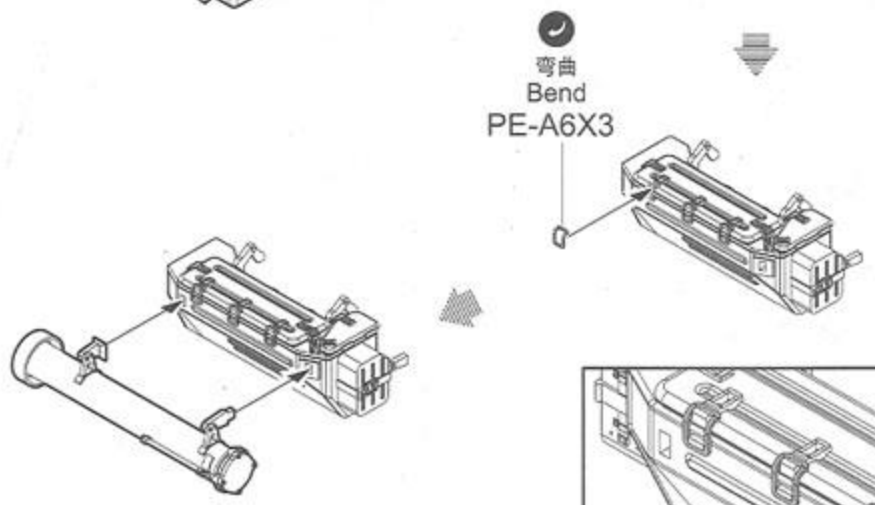
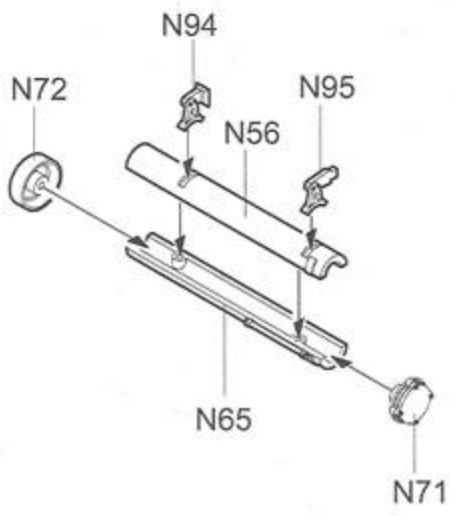
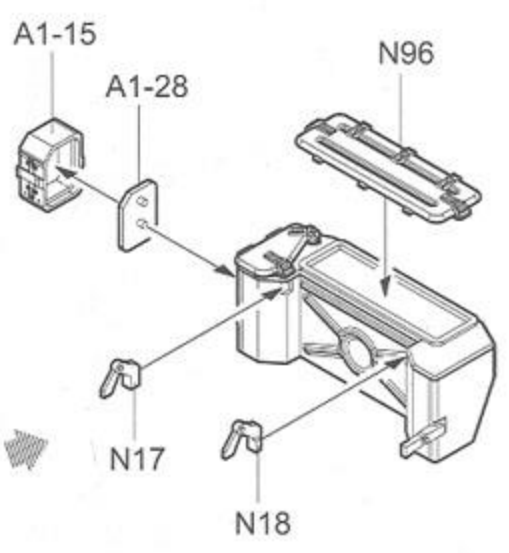
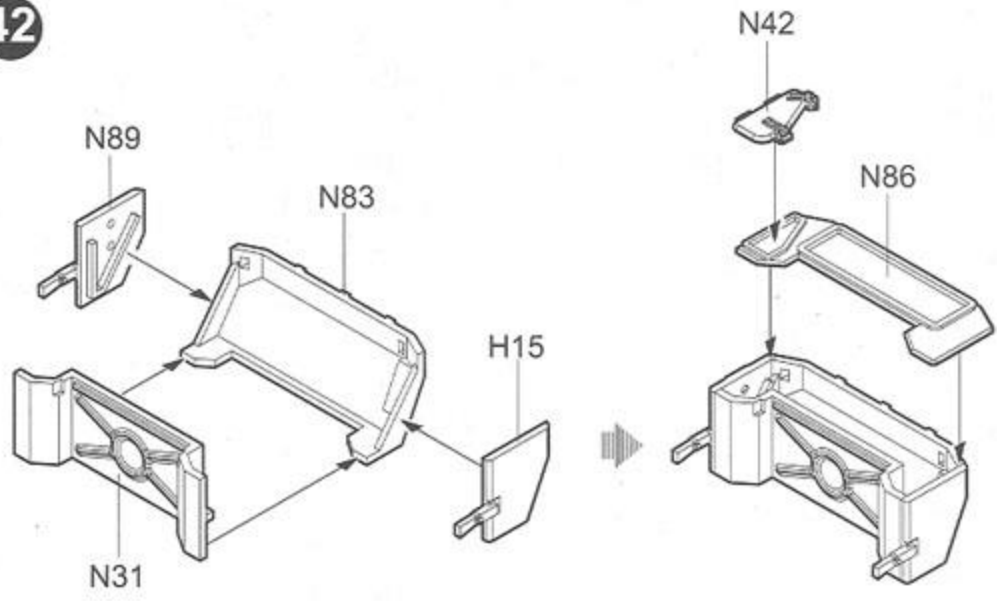
《A-C》

41



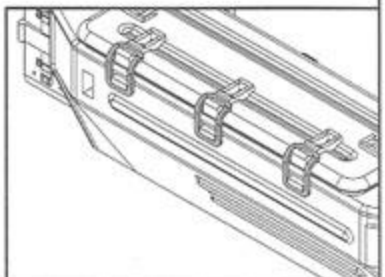
《A-D》

42

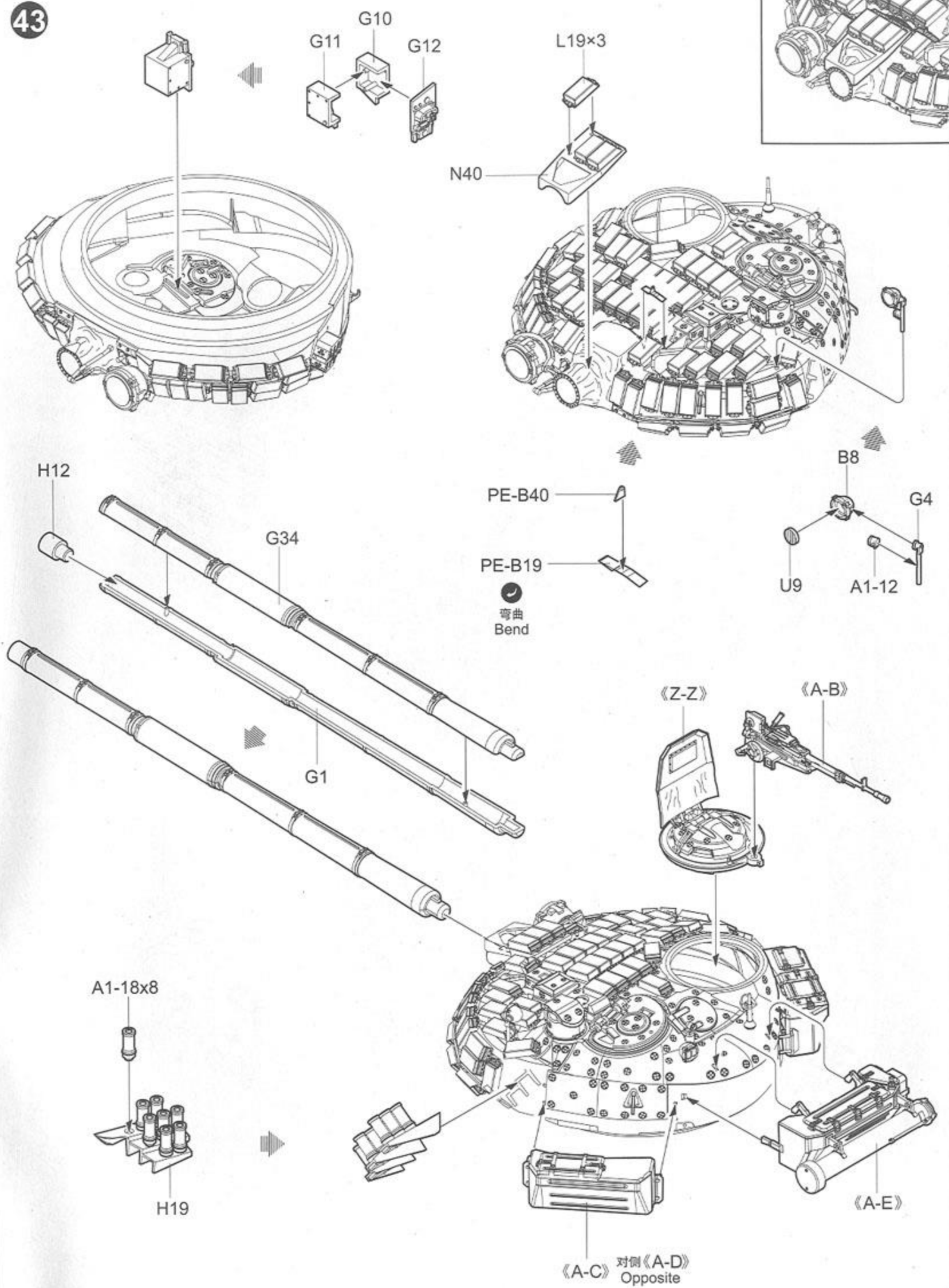


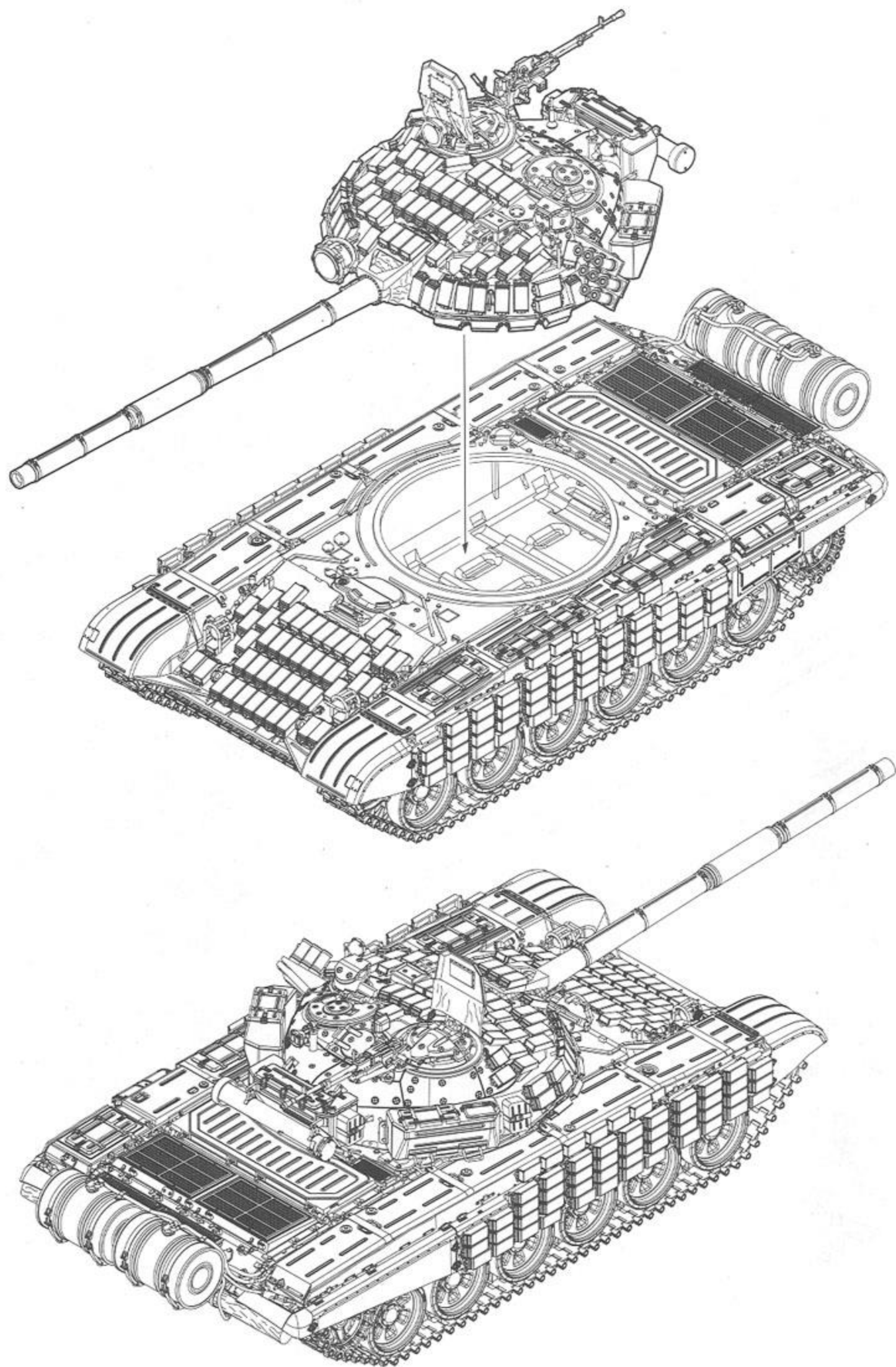
弯曲
Bend
PE-A6X3

《A-E》

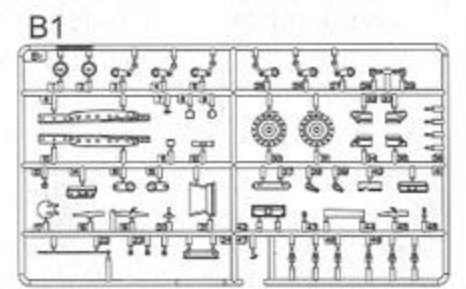
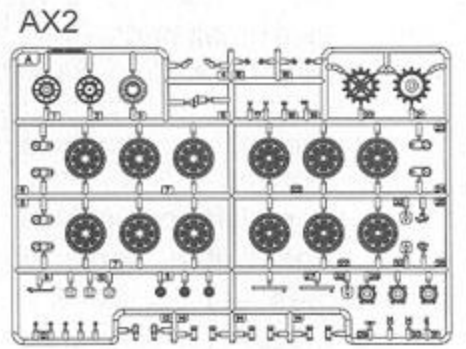
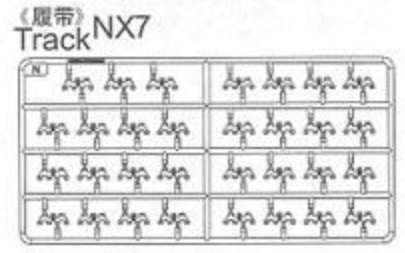
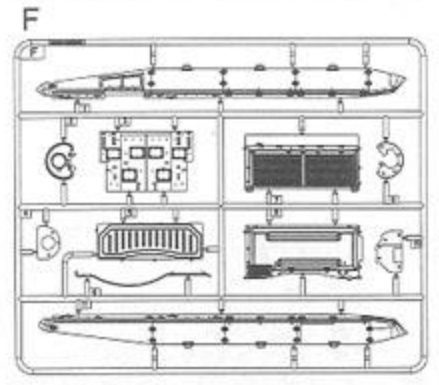
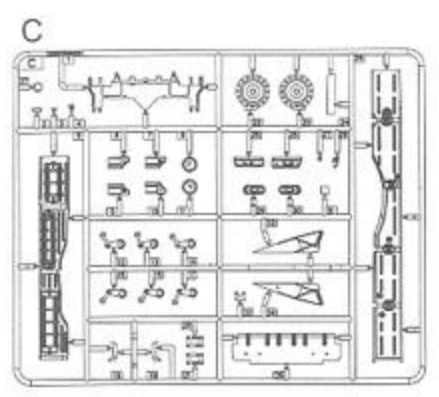
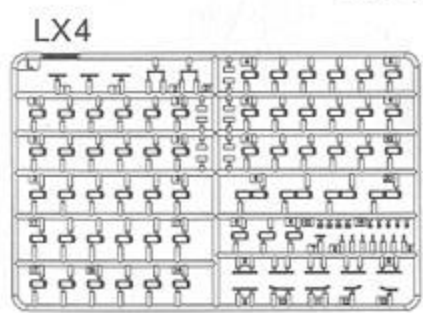
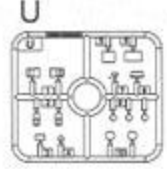
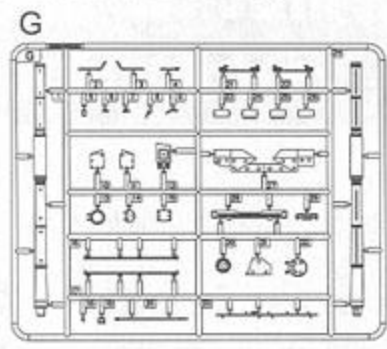
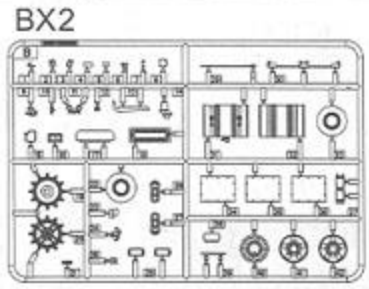
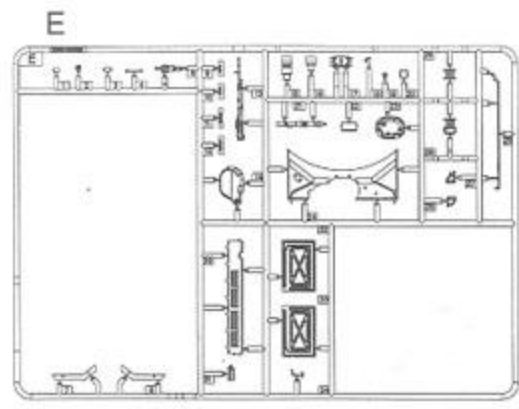
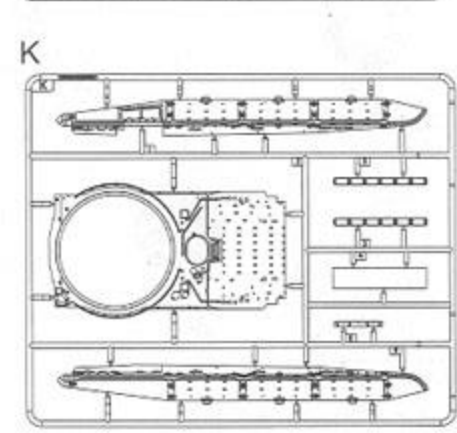
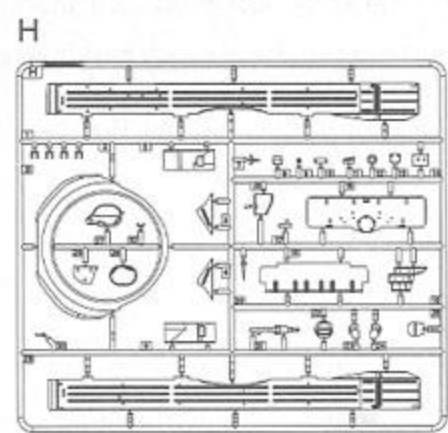
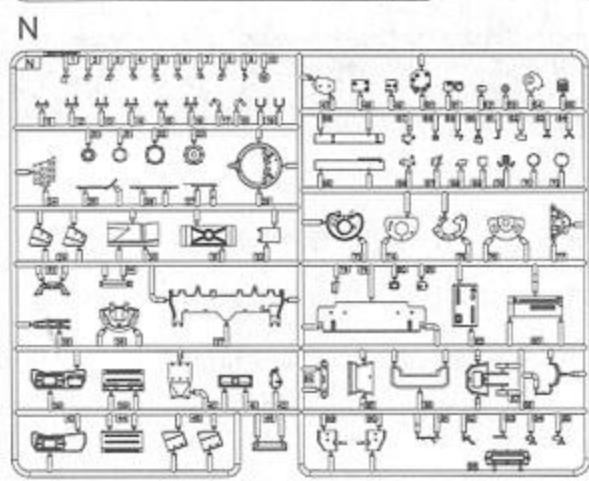
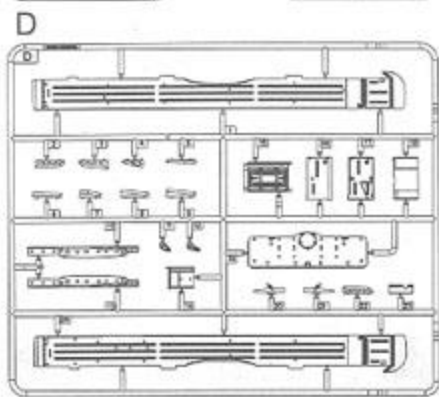
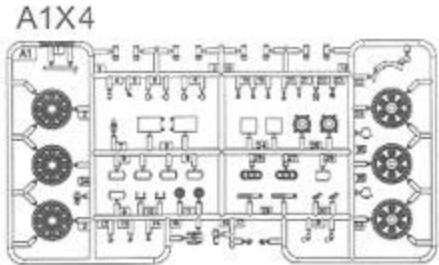


43





部品图 Parts

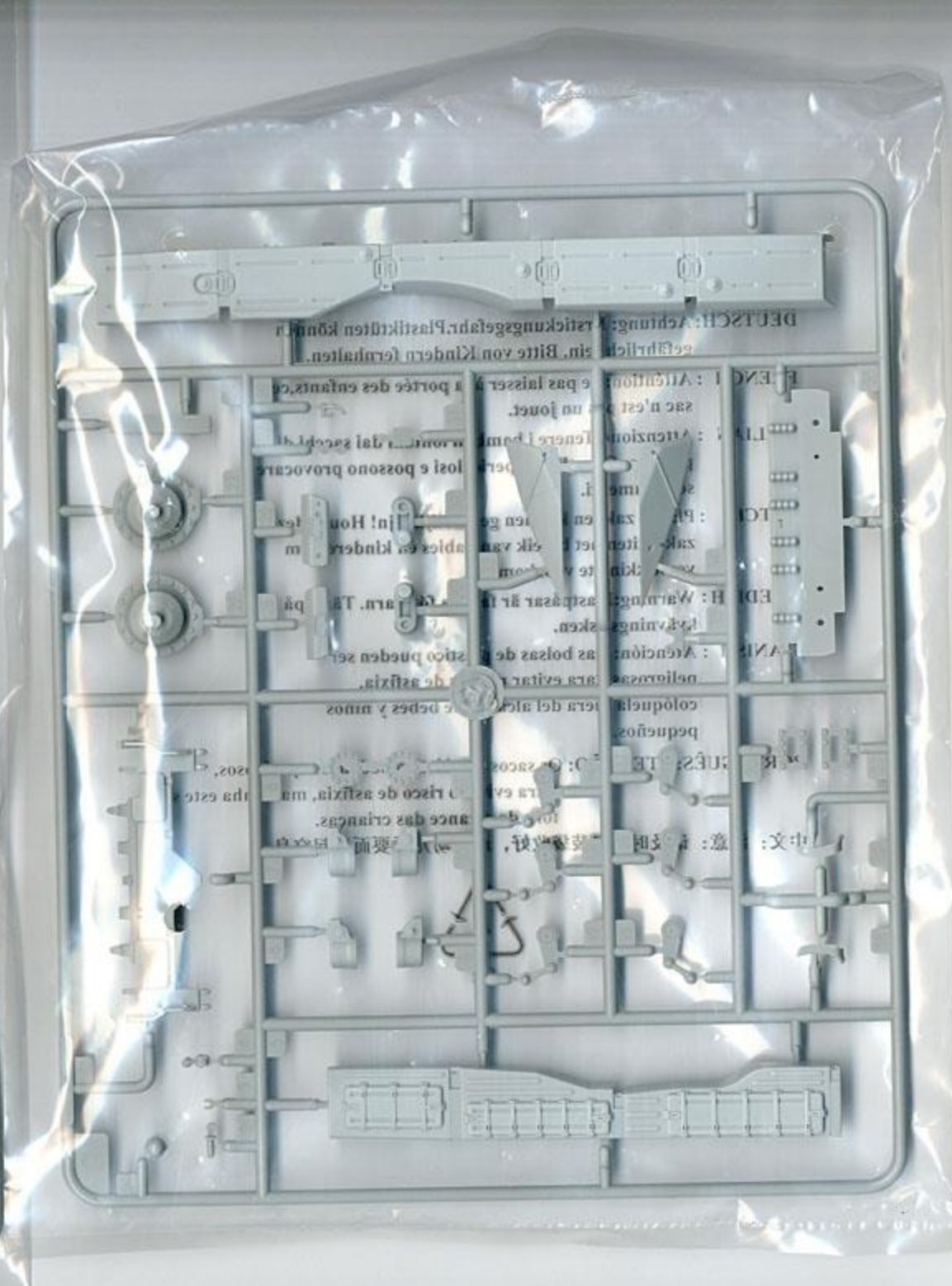


《铜丝》Ø 0.6X250mm
Copper wire

《软管》Ø 1.2X250mm
Vinyl tubing

《铜线》Ø 0.8X250mm
Brass wire



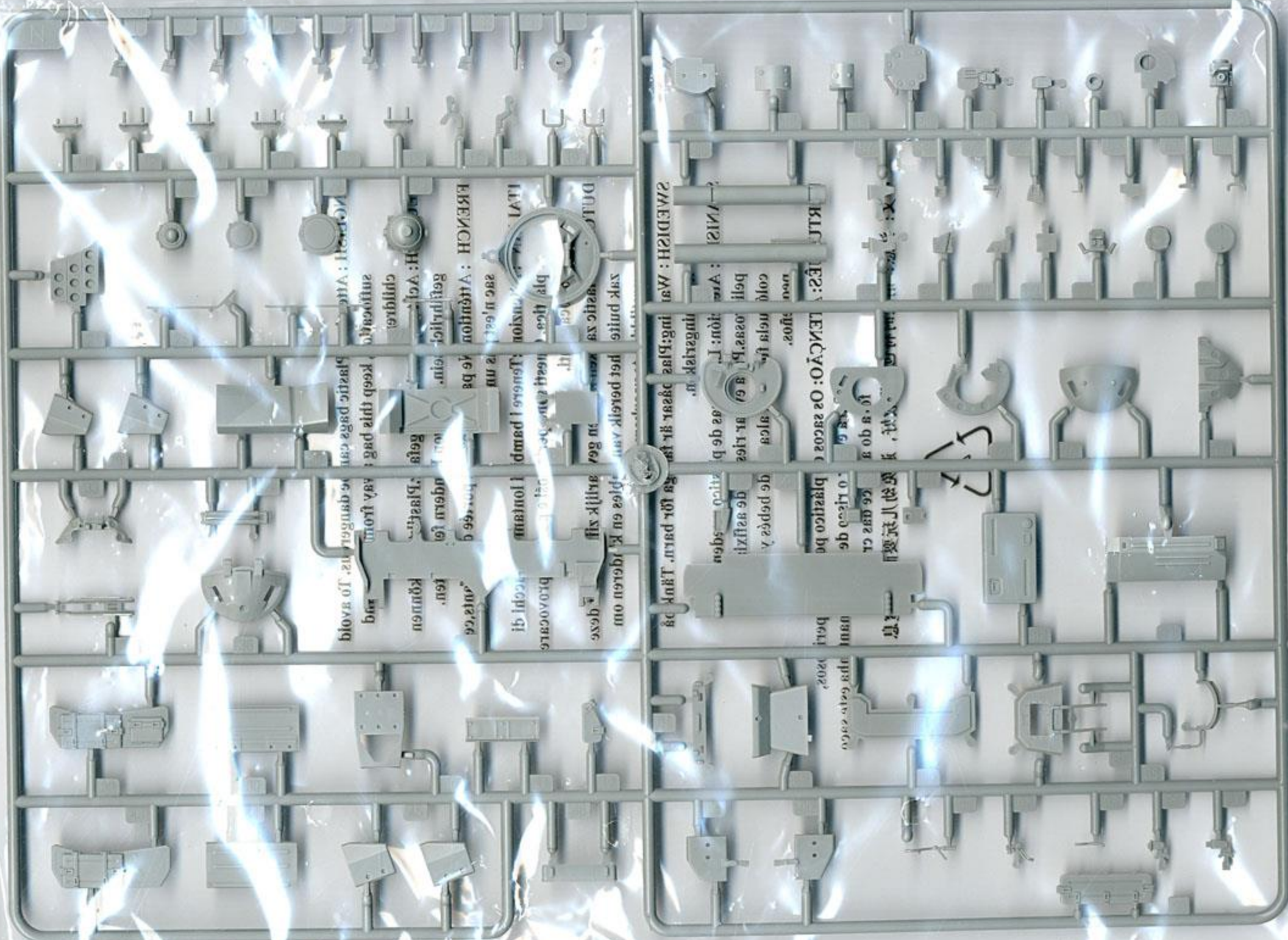


DEUTSCH: Achtung: Frisckungsgesahr Plastikteilen können
 gefahrlich sein. Bitte von Kindern fernhalten.
 ENGLISH: Attention: Plastic parts can be dangerous. To avoid
 suffocation, keep this bag away from babies and
 children.
 ITALIANO: Attenzione: I pezzi in plastica possono essere
 pericolosi e possono provocare soffocazione. Tenere i
 bambini lontani dai sacchetti.
 FRANÇAIS: Attention: Les pièces en plastique peuvent être
 dangereuses et provoquer des étouffements. Garder les
 enfants à l'écart des sachets.
 中文: 注意: 塑料零件可能很危险。为了避免窒息，请
 将此袋远离婴幼儿和儿童。
 中文: 注意: 塑料零件可能很危险。为了避免窒息，请
 将此袋远离婴幼儿和儿童。

DEUTSCH: Achtung: Frisckungsgesahr Plastikteilen können
 gefahrlich sein. Bitte von Kindern fernhalten.
 ENGLISH: Attention: Plastic parts can be dangerous. To avoid
 suffocation, keep this bag away from babies and
 children.
 ITALIANO: Attenzione: I pezzi in plastica possono essere
 pericolosi e possono provocare soffocazione. Tenere i
 bambini lontani dai sacchetti.
 FRANÇAIS: Attention: Les pièces en plastique peuvent être
 dangereuses et provoquer des étouffements. Garder les
 enfants à l'écart des sachets.
 中文: 注意: 塑料零件可能很危险。为了避免窒息，请
 将此袋远离婴幼儿和儿童。
 中文: 注意: 塑料零件可能很危险。为了避免窒息，请
 将此袋远离婴幼儿和儿童。



注意：拆包时请勿将零件放入水中，以免零件受潮。拆包后，请按照说明书的要求进行组装。
 ATTENTION: Please do not put the parts in water when unpacking, to avoid the parts getting wet. After unpacking, please assemble according to the instructions.
 Para evitar o risco de asfixia, mantenha este saco fora do alcance das crianças.
 To avoid the risk of suffocation, keep this bag away from children. Plastic parts can be dangerous. To avoid suffocation, keep this bag away from children.
 注意：拆包时请勿将零件放入水中，以免零件受潮。拆包后，请按照说明书的要求进行组装。
 ATTENTION: Please do not put the parts in water when unpacking, to avoid the parts getting wet. After unpacking, please assemble according to the instructions.
 Para evitar o risco de asfixia, mantenha este saco fora do alcance das crianças.
 To avoid the risk of suffocation, keep this bag away from children. Plastic parts can be dangerous. To avoid suffocation, keep this bag away from children.



SWEDISH : Wäl
ind: Plas ägsar är för
ind: Plas ägsar är för

PORTUGUESE : Os sacos e
de pepes e
de asflizi

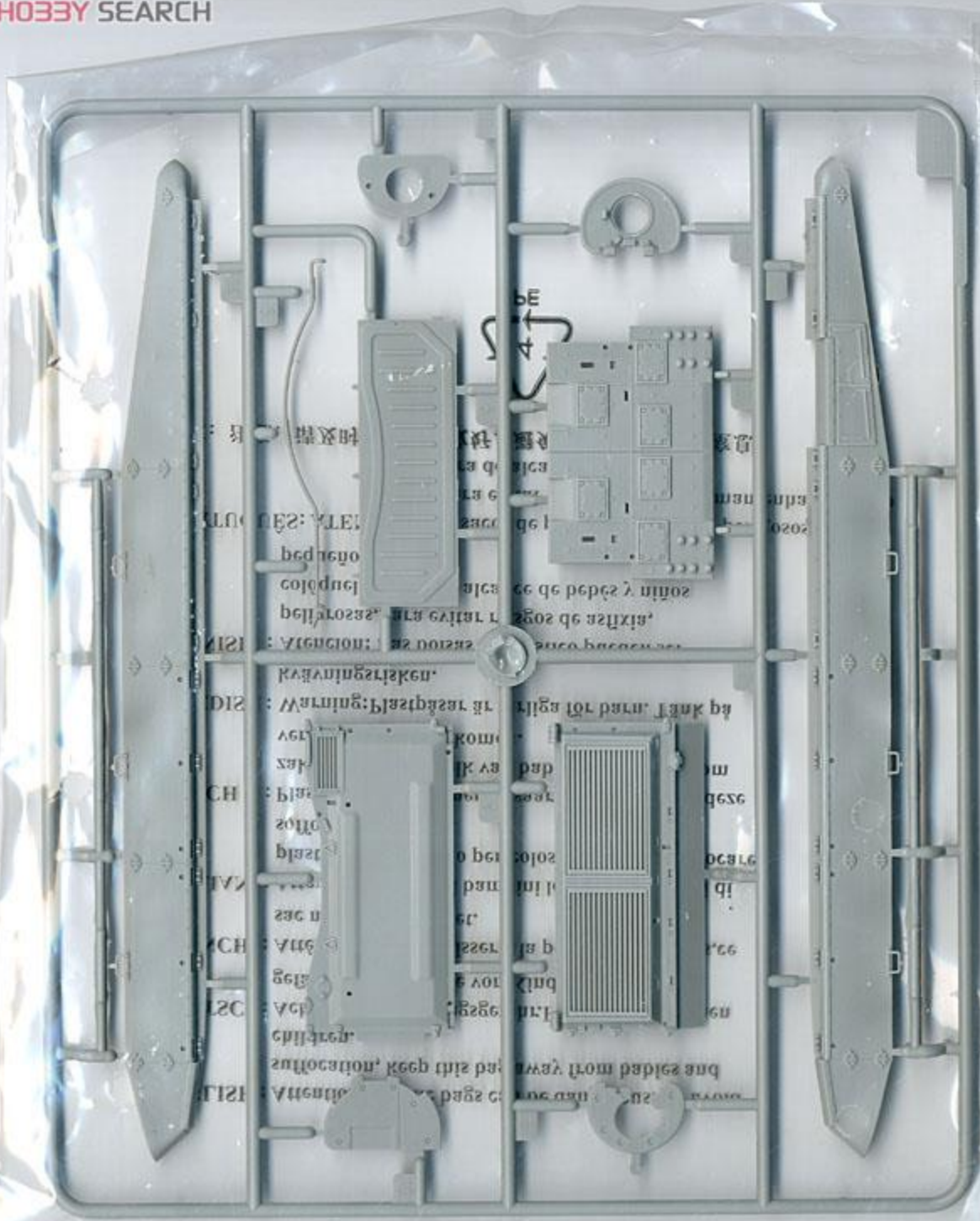
FRENCH : Attention
Geffnliche
aufpassen

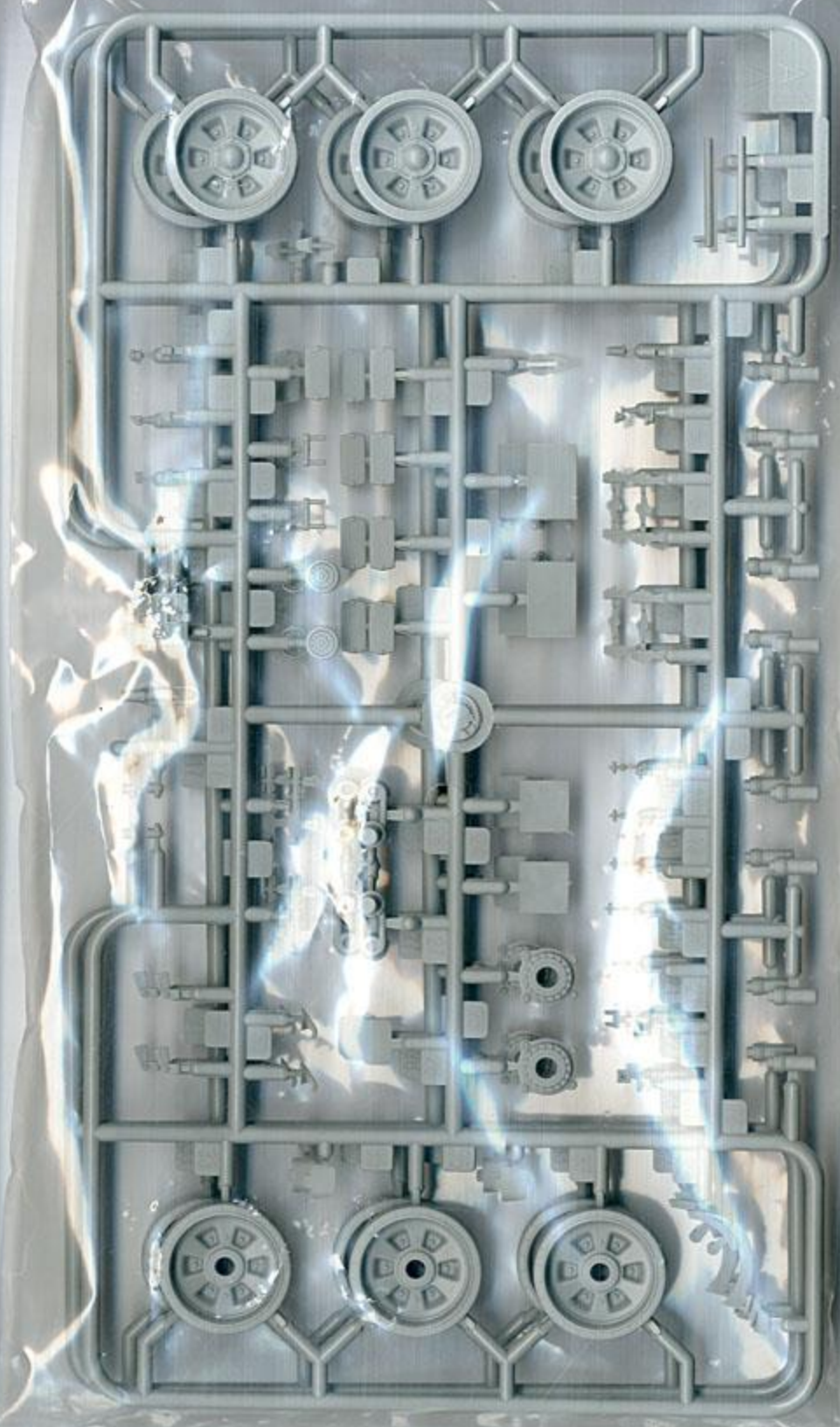
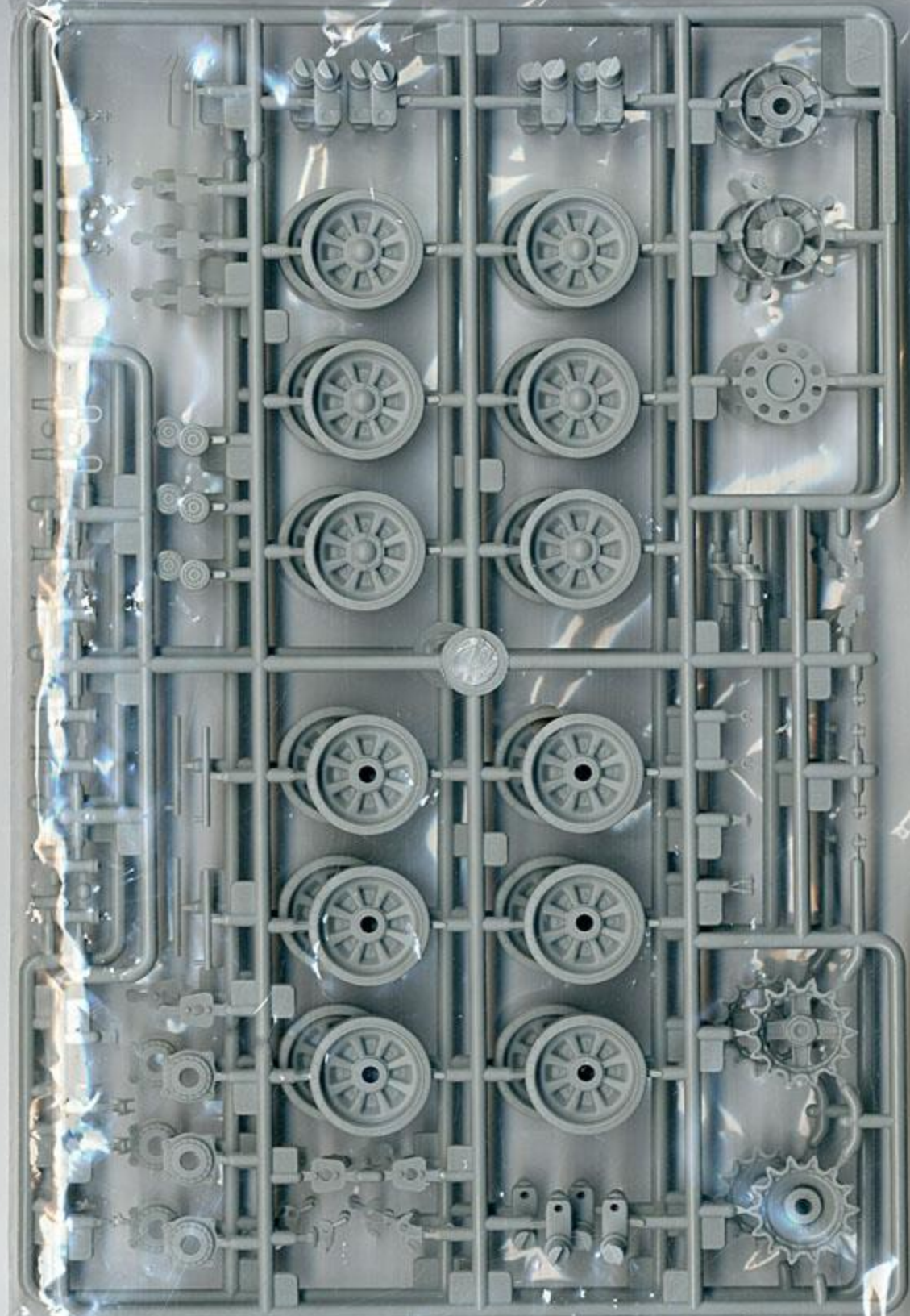
ITALIAN : Tenere i pamp
di
di

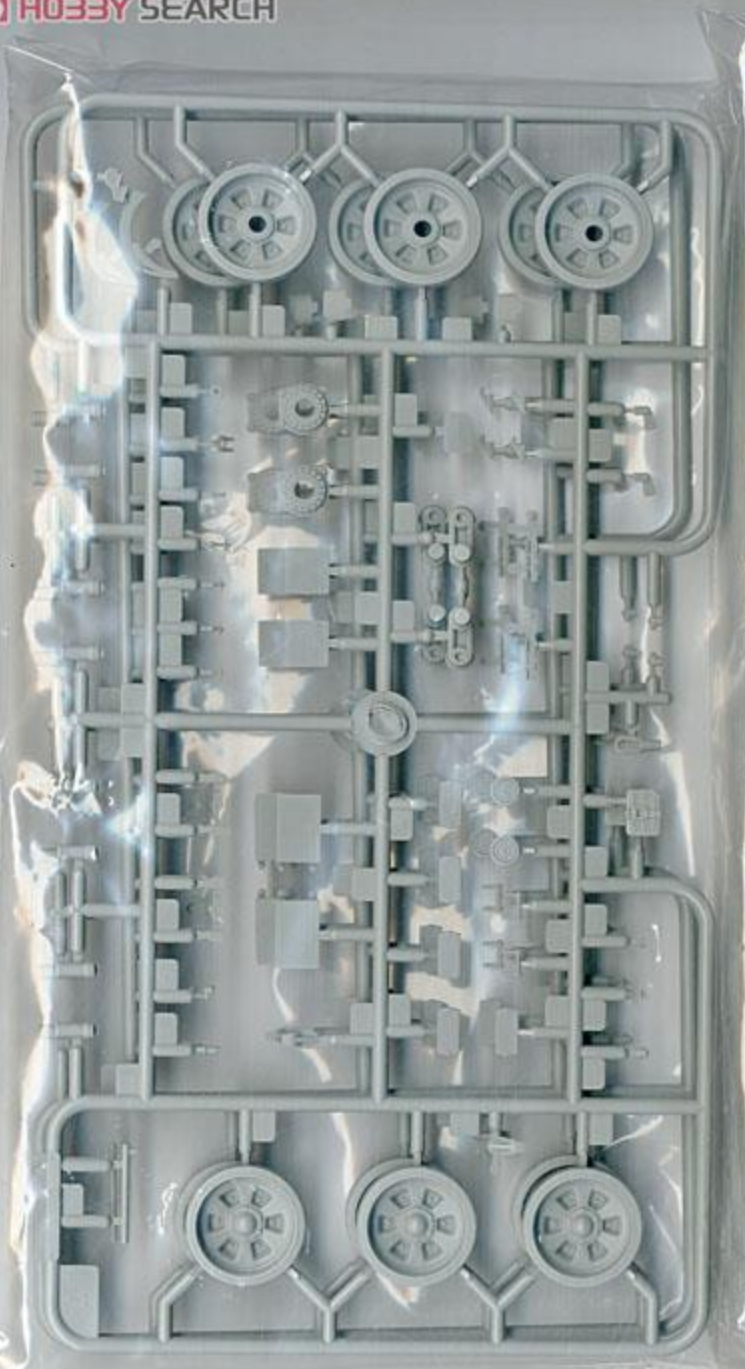
DUTCH : Pak printe
het bereik van
in de
rijijk zij
provoceer
deci di

plastic parts can be
keep this part
Plastic parts can be
keep this part
Plastic parts can be
keep this part

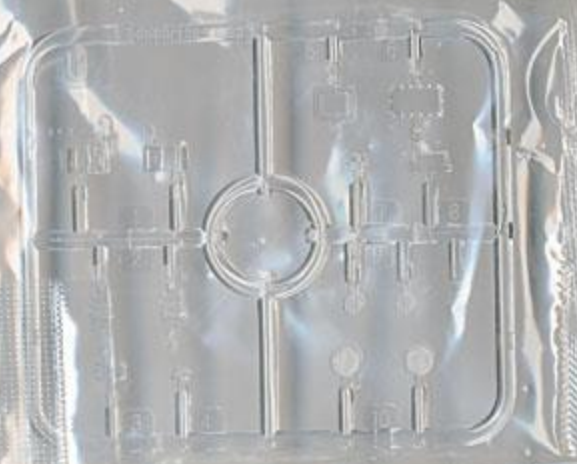
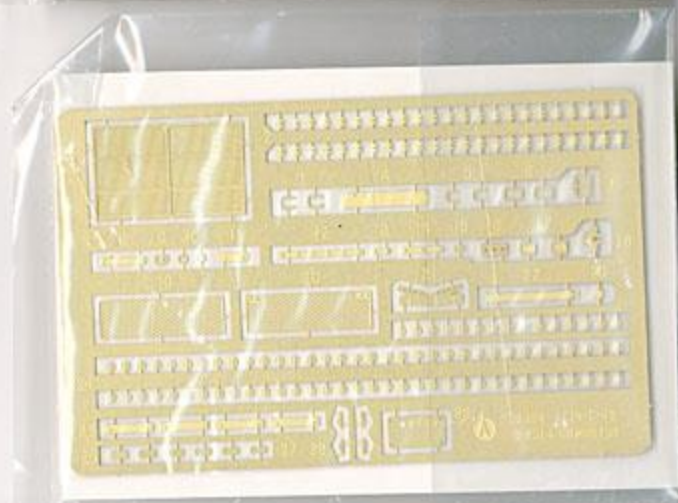
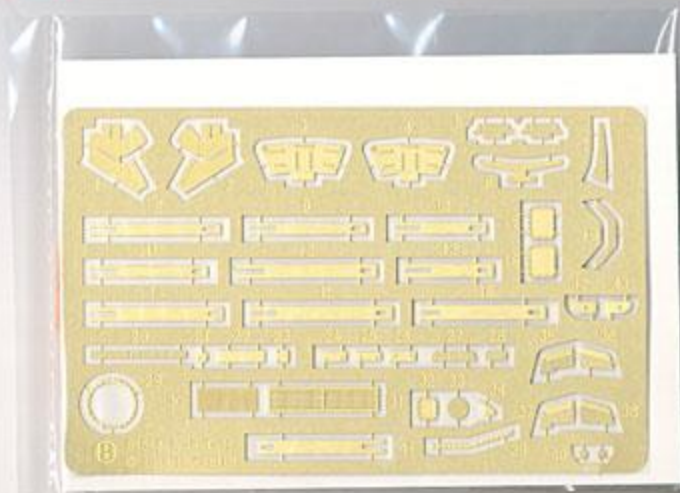
Handwritten markings: 12, 13











COLOR	NAME OF THE PRODUCT	NO. ARTIST	MODEL NUMBER	SCALE	NUMBER
TIRE BLACK	A.MIG-033	H 77	—	—	—
GUNMETAL	A.MIG-045	H 18	1402	—	—
BLACK	A.MIG-046	H 03	1748	XF1	—
ZIS 508 GREEN	A.MIG-932	H 03	1713	XF20	117
SAND BEIGE	A.MIG-027	H 79	—	XF59	93

A

Nagorno Karabakh Army, T-72 B



Color information and profiles by



COLOR	NAME OF THE PRODUCT	NO. ARTIST	MODEL NUMBER	SCALE	NUMBER
TIRE BLACK	A.MIG-033	H 77	—	—	—
GUNMETAL	A.MIG-045	H 18	1402	—	—
BLACK	A.MIG-046	H 03	1748	XF1	—
ZIS 508 GREEN	A.MIG-932	H 03	1713	XF20	117
SAND BEIGE	A.MIG-027	H 79	—	XF59	93
RED-BROWN LIGHT	A.MIG-923	H 03	—	—	180
RED	A.MIG-049	H 13	1503	X7	18

B

Nagorno Karabakh Army, T-72 B



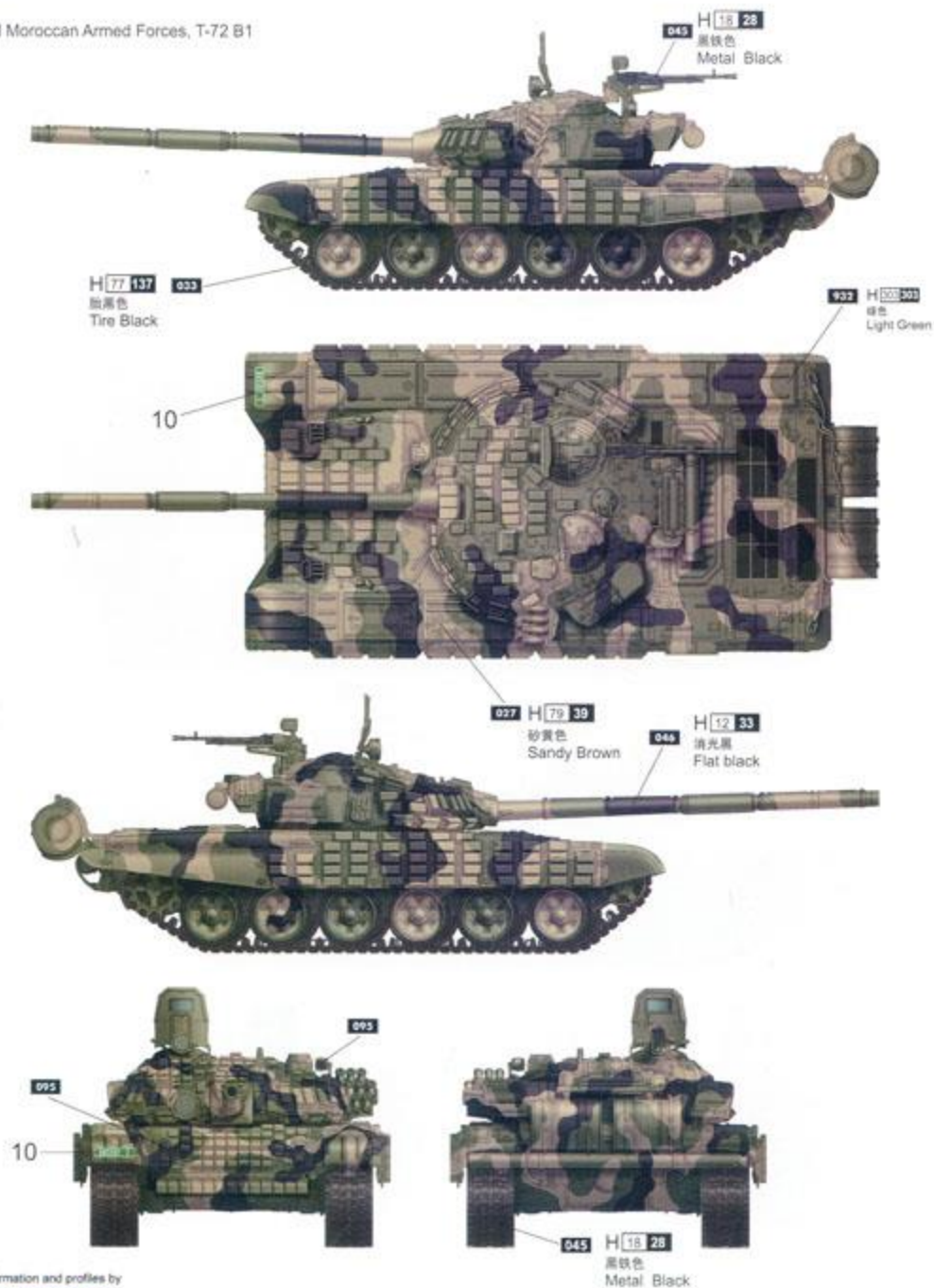
Color information and profiles by



COLOR	NAME OF THE PRODUCT	REF. NUMBER	MODEL MASTER	TAMIA	NUMBERS
TIRE BLACK	A.MIG-033	H 117 122	---	---	---
GUN METAL	A.MIG-045	H 118 28	1402	---	---
BLACK	A.MIG-046	H 119 33	1749	XF1	---
ZIS 508 GREEN	A.MIG-932	H 120 303	1713	XF20	117
SAND BROWN	A.MIG-027	H 121 39	---	XF59	80

C

Royal Moroccan Armed Forces, T-72 B1



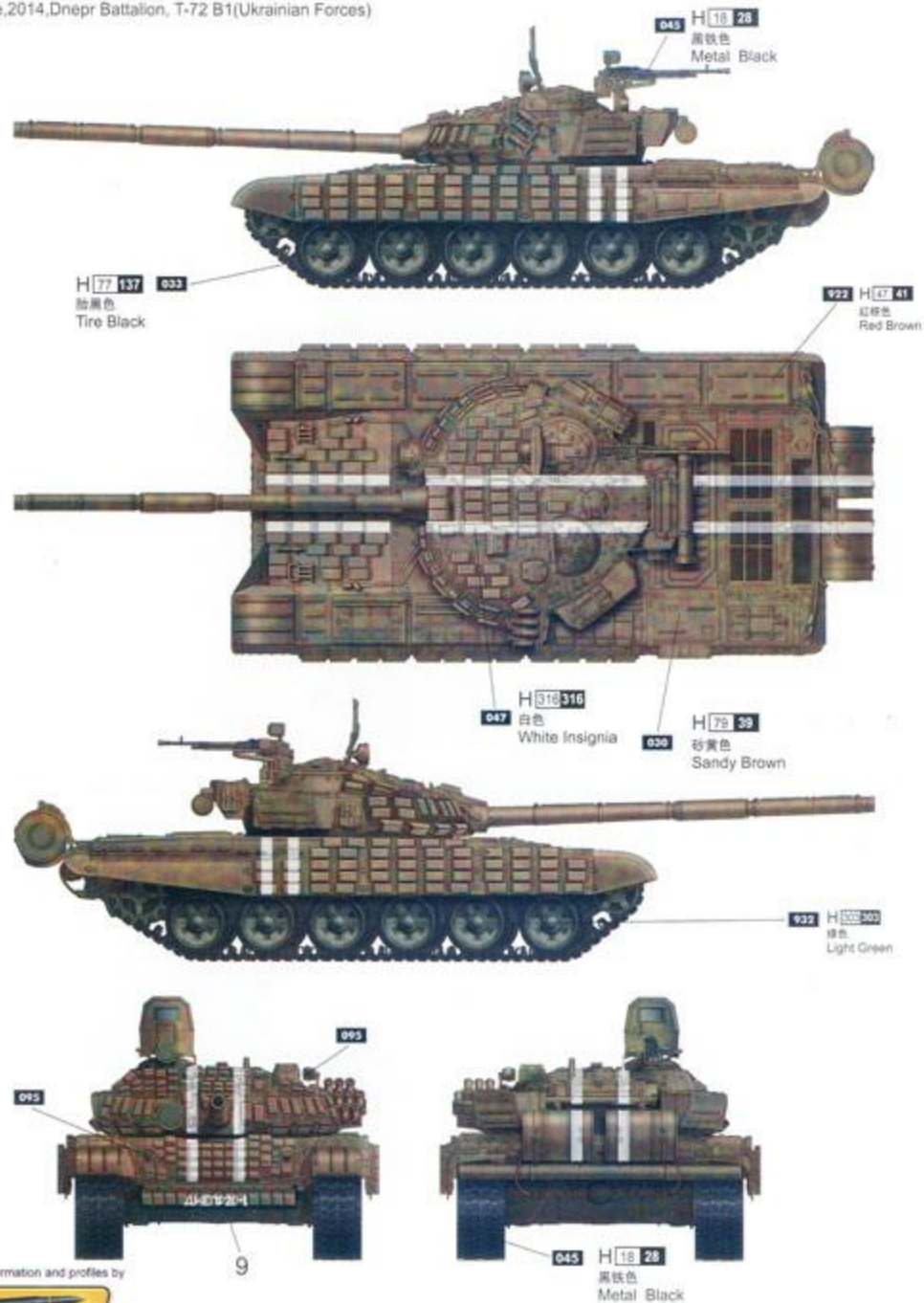
Color information and profiles by



COLOR	NAME OF THE PRODUCT	REF. NUMBER	MODEL MASTER	TAMIA	NUMBERS
TIRE BLACK	A.MIG-033	H 117 122	---	---	---
GUN METAL	A.MIG-045	H 118 28	1402	---	---
BLACK	A.MIG-046	H 119 33	1749	XF1	---
ZIS 508 GREEN	A.MIG-932	H 120 303	1713	XF20	117
WHITE	A.MIG-047	H 121 316	1745	X2	22
DARK RED EARTH	A.MIG-922	H 122 41	---	XF64	180
SAND BROWN	A.MIG-027	H 121 39	---	XF59	83

D

Ukraine, 2014, Dnepr Battalion, T-72 B1 (Ukrainian Forces)



Color information and profiles by



COLOR	ARMY OF RUSSIA (MG)	RUSSIAN	MODEL NUMBER	SWR16	NUMBER
TIRE BLACK	A.MIG-033	H[11]07	—	—	—
GUN METAL	A.MIG-045	H[13]28	1402	—	—
BLACK	A.MIG-046	H[12]33	1740	XF1	—
SAND BEIGE	A.MIG-027	H[79]39	—	XF59	83
GREEN KHAKI	A.MIG-056	H[81]55	—	XF40	26

E

Ukrainian Forces, T-72 B



Color information and profiles by



COLOR	ARMY OF RUSSIA (MG)	RUSSIAN	MODEL NUMBER	SWR16	NUMBER
BLACK	A.MIG-046	H[12]33	1740	XF1	—
ZS 508 GREEN	A.MIG-932	H[00]303	1713	XF20	117
SAND BEIGE	A.MIG-027	H[79]39	—	XF59	83
DARK RED EARTH	A.MIG-922	H[43]41	—	XF04	160
DARK GREY	A.MIG-907	H[01]301	—	XF24	—

F

Ukraine conflict, 2014, Rebel T-72 B "RITA"



South Ossetia conflict, 2008, Georgian T-72 B



Ukraine conflict, 2014, Rebel T-72 B "DNR"



Color information and profiles by



Painting & Marking guide

COLOR	AMMO OF MIG JIMENEZ	MR.HOBBY	MODEL MASTER	TAMIYA	HUMBROL
BLACK	A.MIG-046	H 12 33	1749	XF1	
ZIS 508 GREEN	A.MIG-932	H 303 303	1713	XF20	117
SAND BEIGE	A.MIG-057	H 79 39	—	XF59	93
PKHV 512 GREEN	A.MIG-058	H 304 304	1711	XF62	155
KHV 518 GREEN	A.MIG-083	H 136 136	—	—	—
DARK GREY	A.MIG-907	H 301 301	—	XF24	—

G

Ukraine conflict,2014,Rebel T-72 B1



Ukraine conflict,2014,Rebel T-72 B



Russian T-72 B1



Russian T-72 B



046 H 12 33
消光黑
Flat black