

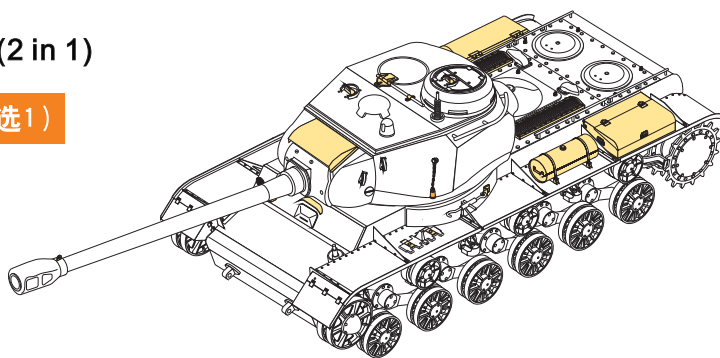
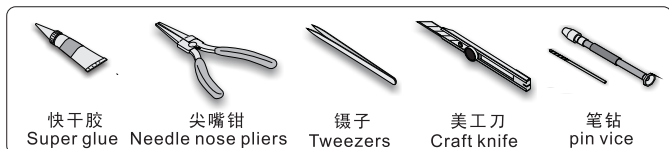
1/35 MILITARY MINIATURE VEHICLE UPGRADE SERIES PE35577

## WWII Soviet KV-85/KV-122 Heavy Tank basic (2 in 1)

### 二战苏联KV-85/KV-122重型坦克基本改造件(2选1)

[For TRUMPETER 01570 01569]

#### 推荐使用工具 RECOMMENDED TOOLS



- 安装  
install
- 折叠  
bend
- A1**  
改造件零件编号  
PE/resin part number
- B12**  
原零件编号  
kit part number
- C22**  
被替换的原零件编号  
replaced kit part number
- 另一侧相同制作  
repeat on opposite side
- 切除  
remove
- 打磨  
grind off
- 弧度卷曲  
radial bending
- x2**  
制作若干组  
multiple assembly
- 选择安装  
alternative
- 钻孔  
drill
- 用胶棒制作  
make from plastic rod

用尖端在凹槽处冲压  
use penpoint to press on the dent

蚀刻片零件内侧面向上  
Put the part upside down  
用笔尖在凹槽处刺  
Use penpoint to press on the dent

A17    A22

外面 Outside  
里面 Inside

A8    B16    A24

B7    B13    Ø0.5

内侧 Inside

B23    B22    A19    A18    A19    B19    B10    A32    B10

Ø1.0    Ø1.0

A30    A32    Ø1.0

A17    B7    A24

B21    B26    Ø0.3

A3    C3    A16    A14    A13    Ø0.3

从内侧安装  
Install from inner side

金属件  
Metal part

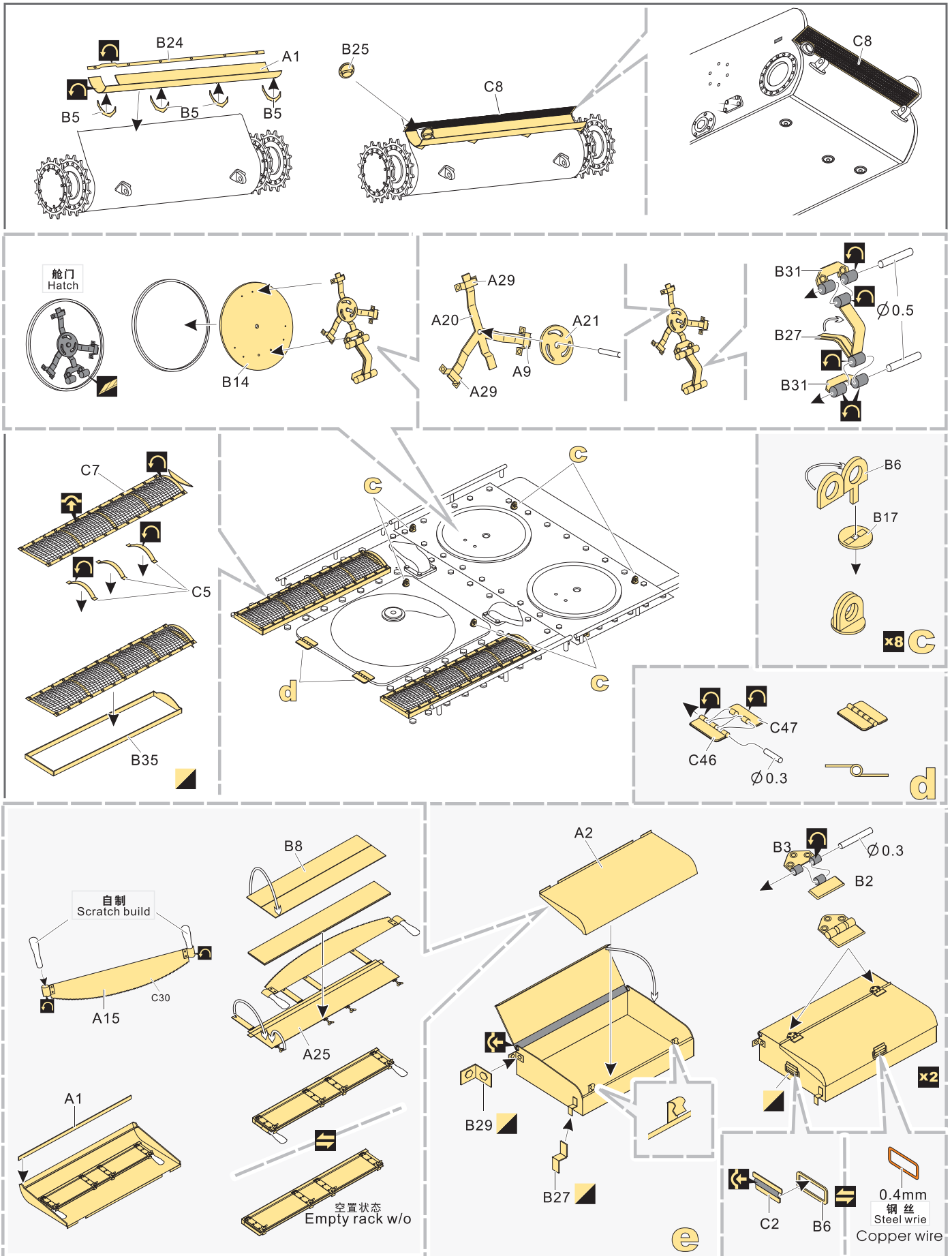
铜管 Copper tube

金属件 Metal part

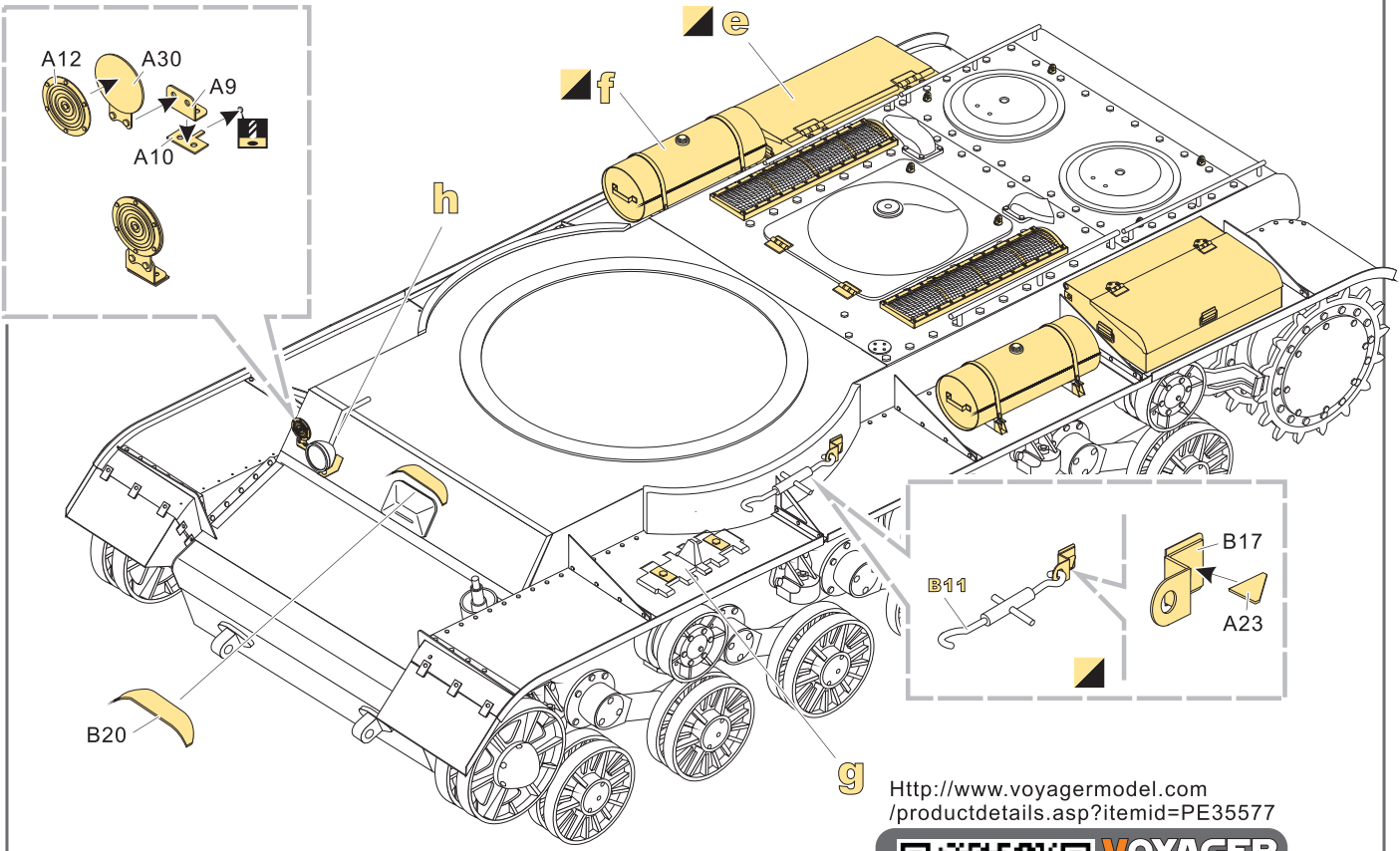
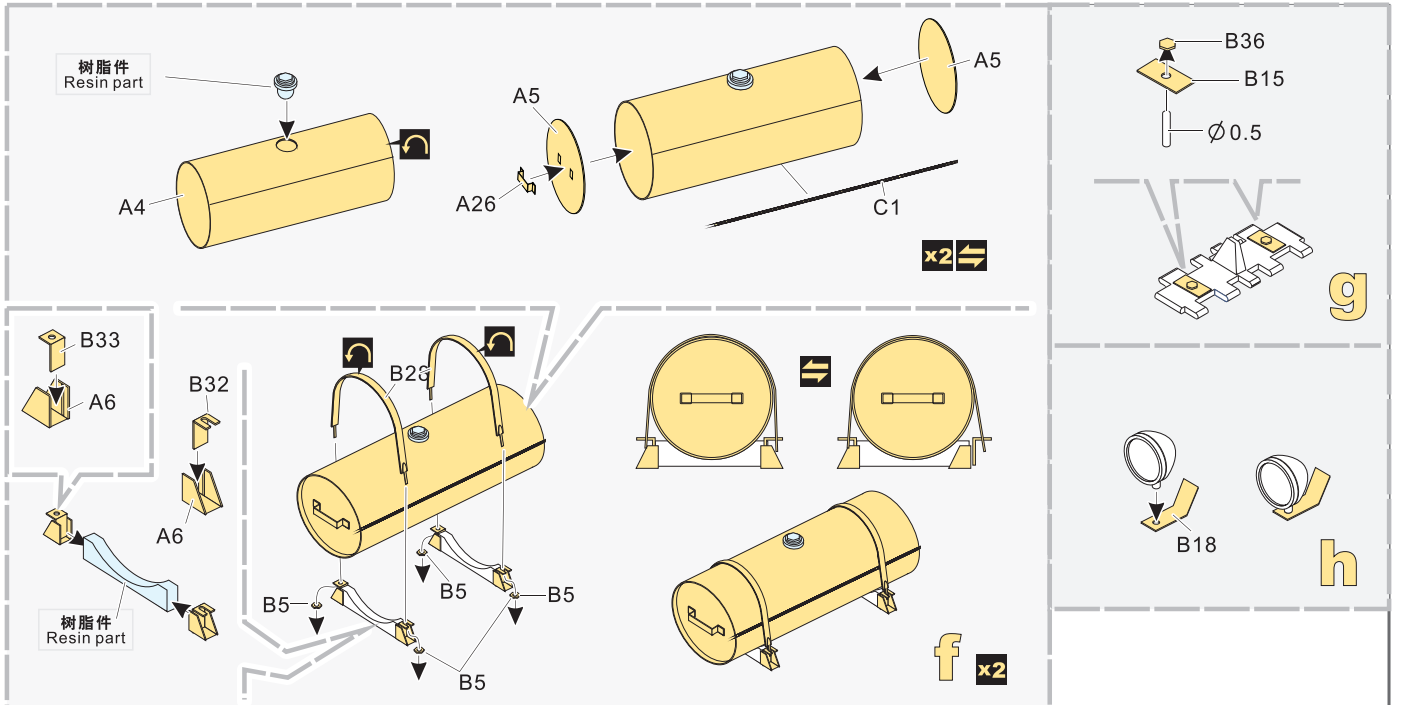
12345678901234567890

自由使用铸造号  
optional cast serial numbers

1/35 MILITARY MINIATURE VEHICLE UPGRADE SERIES PE35577



1/35 MILITARY MINIATURE VEHICLE UPGRADE SERIES PE35577

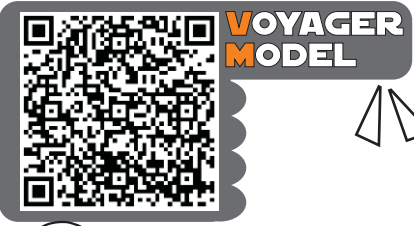


**VOYAGERMODEL®** 无微不至 精益求精

Recommended item

PE35068	WWII Russia KV1/KV2 Basic
PE35124	WWII Russian T-34/85 Mod.1944
PE35221	WWII Russian JS-2 tank Basic
PE35334	WWII German Ausf.J
PE35351	WWII Russian JS-1/JS-2/JS-2m basic
PE35391	Russian BT-7 model 1935
PE35493	WWII Soviet SU-152 late production basic
PE35494	WWII Soviet SU-152 late production Fenders
PE35535	WWII Soviet SU-152 Fenders
PE35539	WWII Soviet T-26 Light Infantry Tank Mod.1931 Basic
PE35575	WWII Soviet T-26 Light Infantry Tank Mod.1935 (Gun barrel Includ)

[Http://www.voyagermodel.com/productdetails.asp?itemid=PE35577](http://www.voyagermodel.com/productdetails.asp?itemid=PE35577)



**VOYAGER MODEL**



更多PE35577样品照片参考请扫一扫  
MORE PICTUER OF PE 35577  
REFERENCE SCAN HERE