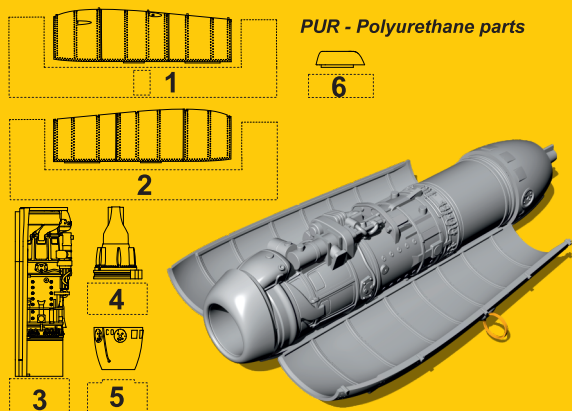


**7443 Heinkel He 162A Engine**  
**1/72 (BMW 003 jet engine)**  
*for Special Hobby kit*



Díly ohnuté popř. pokroucené vlivem teplotních změn a stárnutí materiálu, mohou být narovnané do požadovaného tvaru pomocí proudu teplé vody nebo vzduchu (fén na vlasy).

*Parts slightly distorted and bent owing to temperature changes or due to material ageing can be straightened to requested shape by hot water or hot air jet. (hair dryer)*

*This process can be repeated till result is entirely satisfactory.*

*K lepení použít kyanoakrylátové lepidlo!*

*For best result gluing use cyanoacrylate glue!*

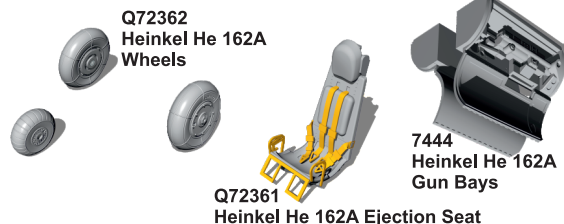
*Kontaktní plochy doporučujeme před lepením odmastit  
 Contact areas ungrease is recommended before gluing.*

**Visit our official website and e-shop at**  
**[www.cmkkits.com](http://www.cmkkits.com)**

**[www.specialhobby.eu](http://www.specialhobby.eu)**

**[www.facebook.com/specialhobby/](https://www.facebook.com/specialhobby/)**

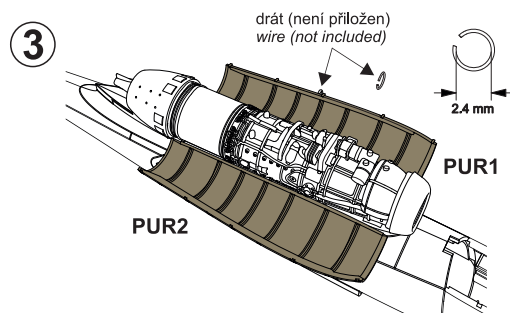
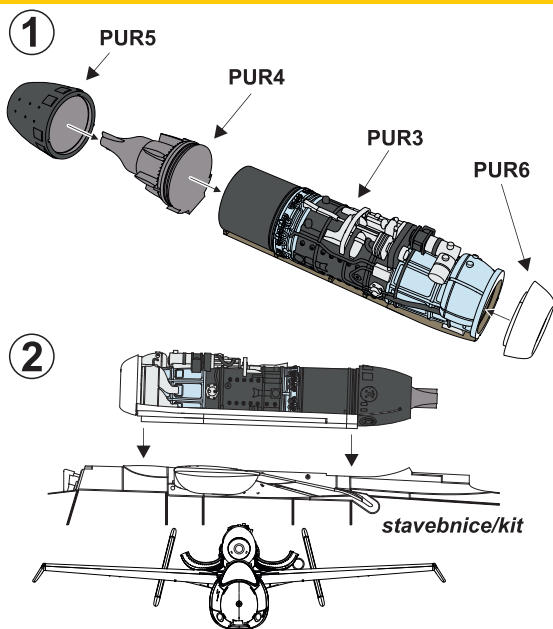
Other CMK sets for 1/72 Special Hobby Heinkel He 162A



Special Hobby, Mezilesí 718, Praha 9, 193 00, Czech Republic

e-mail: [office@specialhobby.eu](mailto:office@specialhobby.eu)

© Special Hobby 2020



**CMK H1010**

The Razor Saw with Handle (cat. n. H1010) is a great tool for cutting both plastic and resin.

CMK also offers a wide variety of coarse / medium / fine saws.