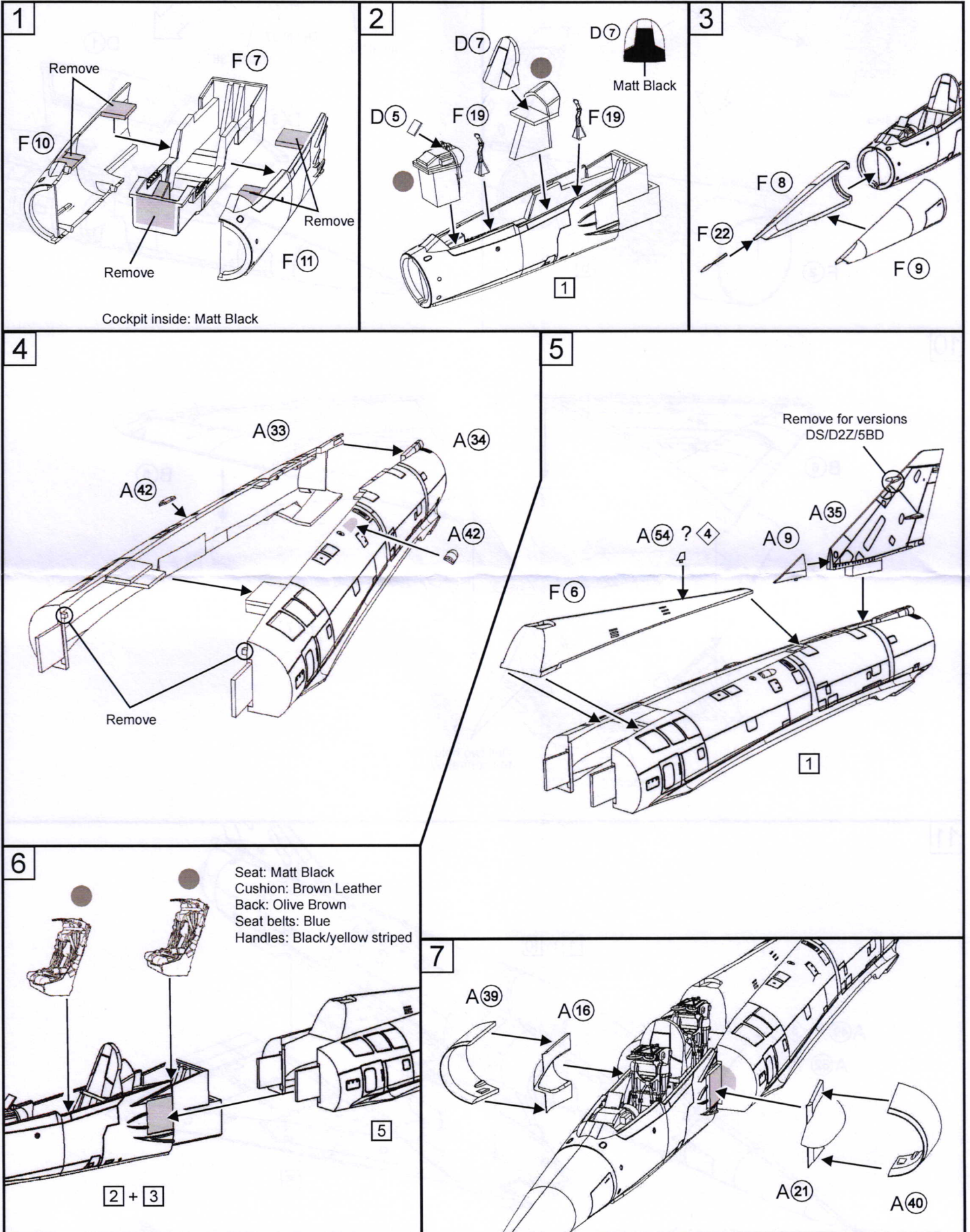
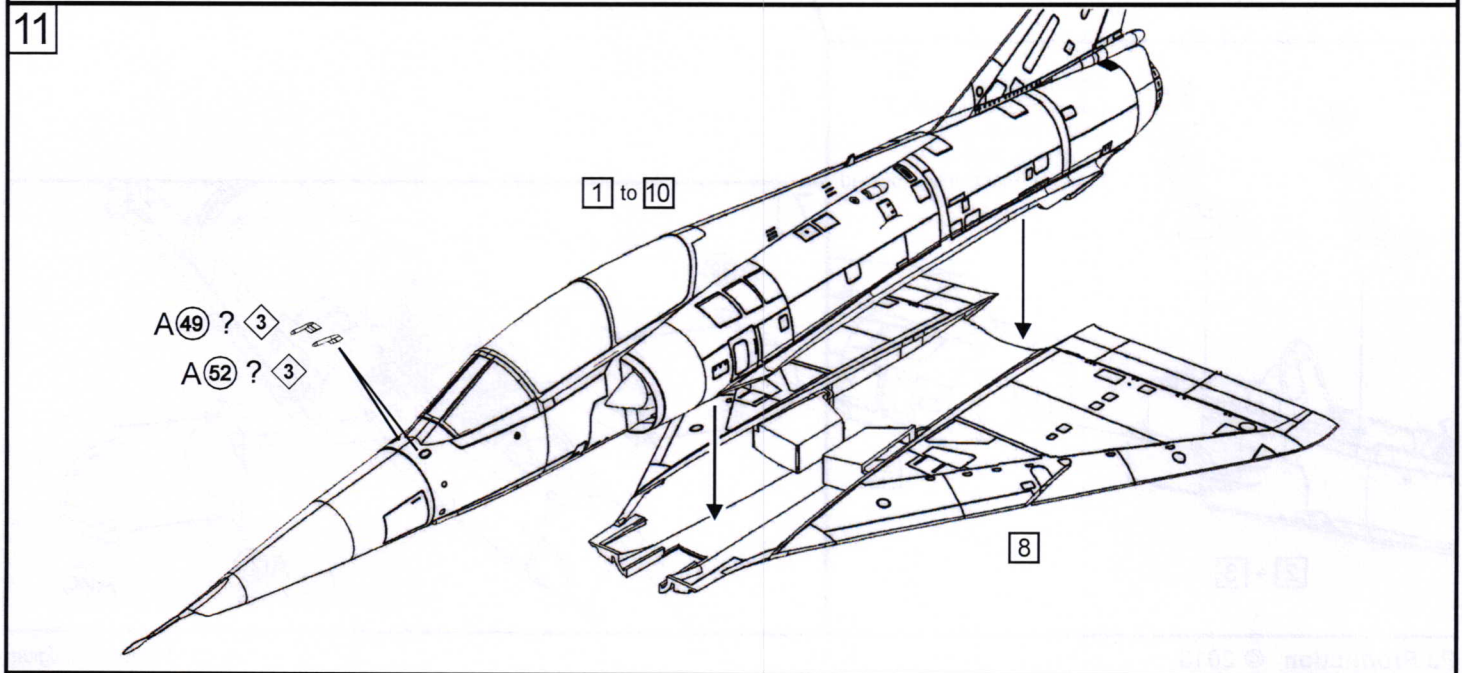
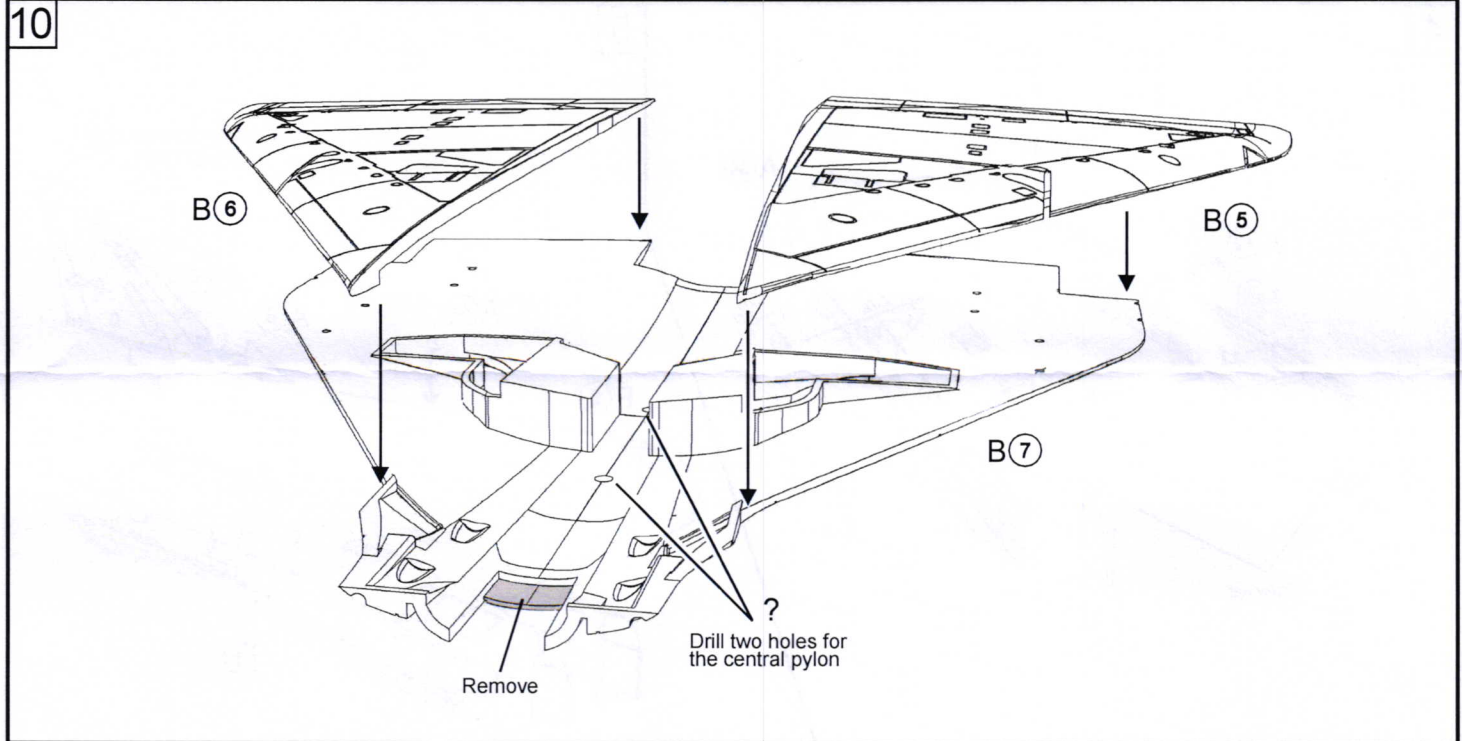
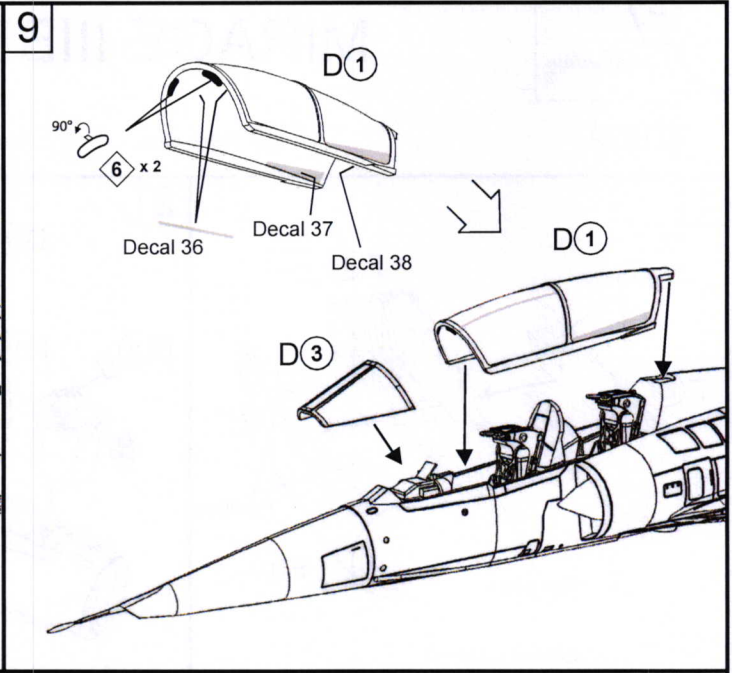
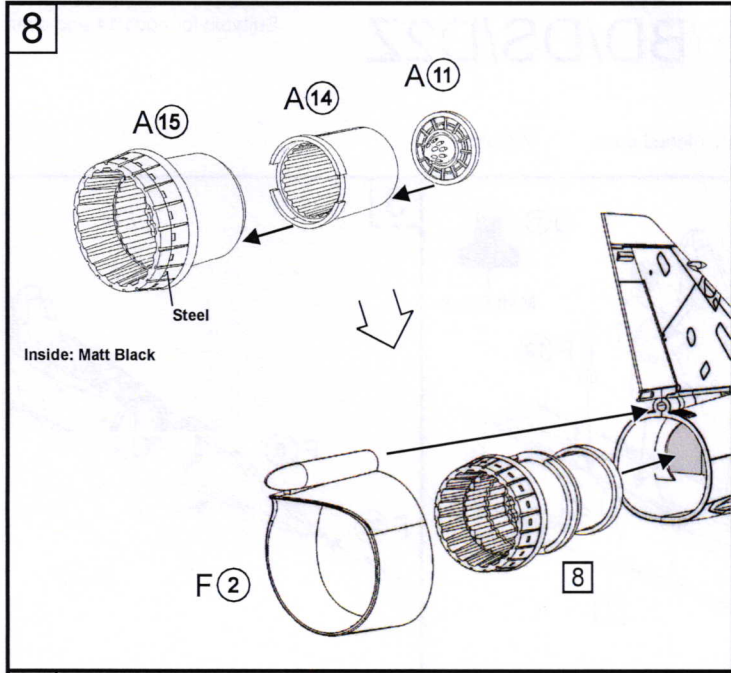
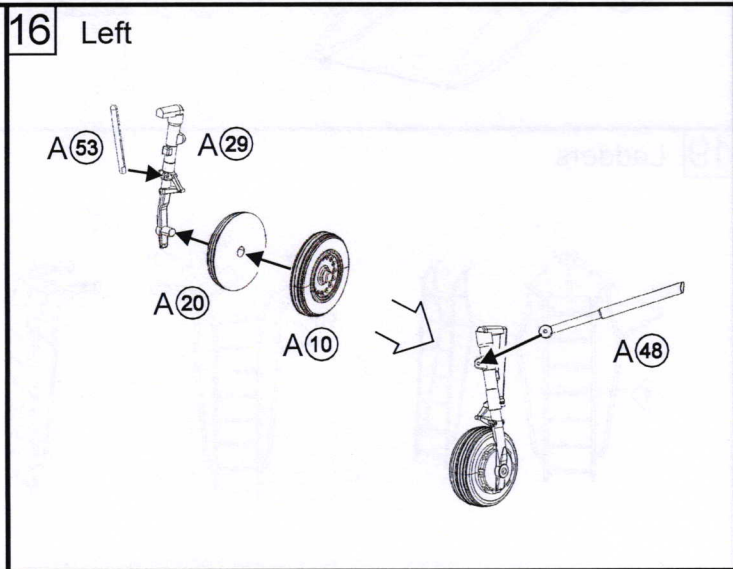
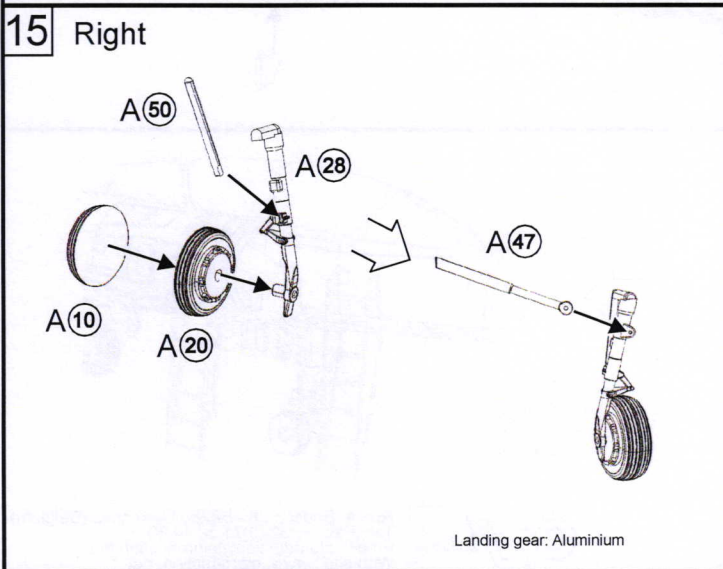
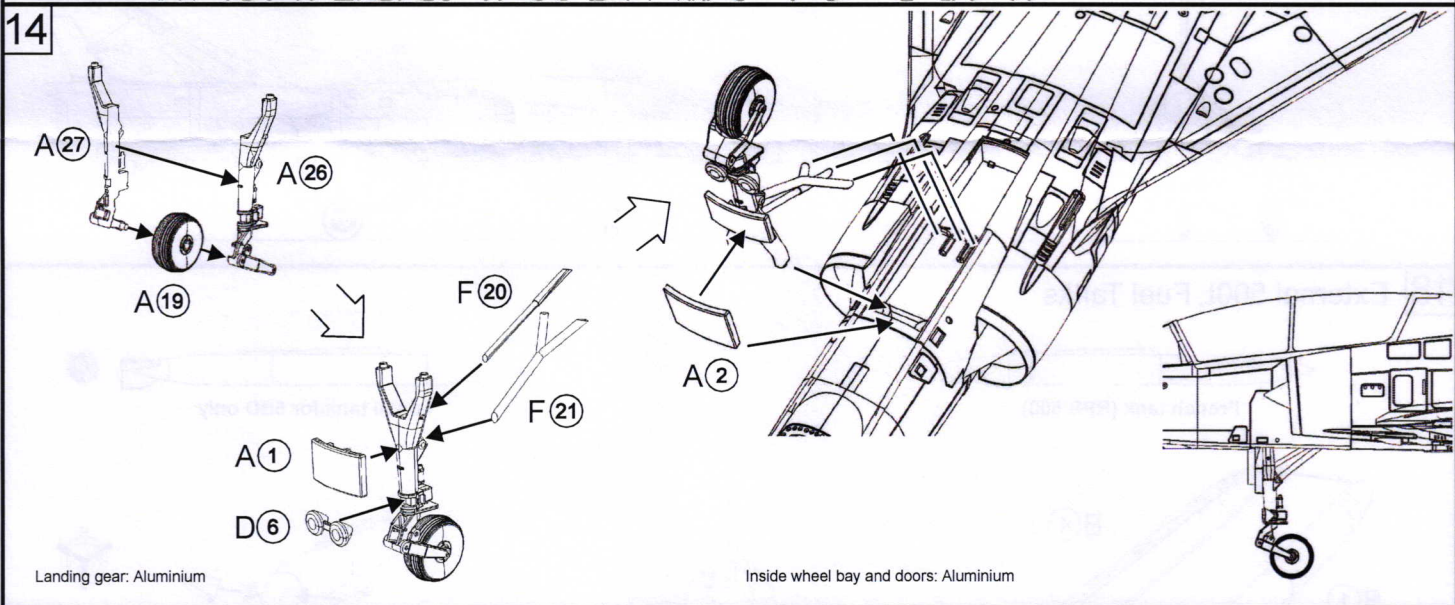
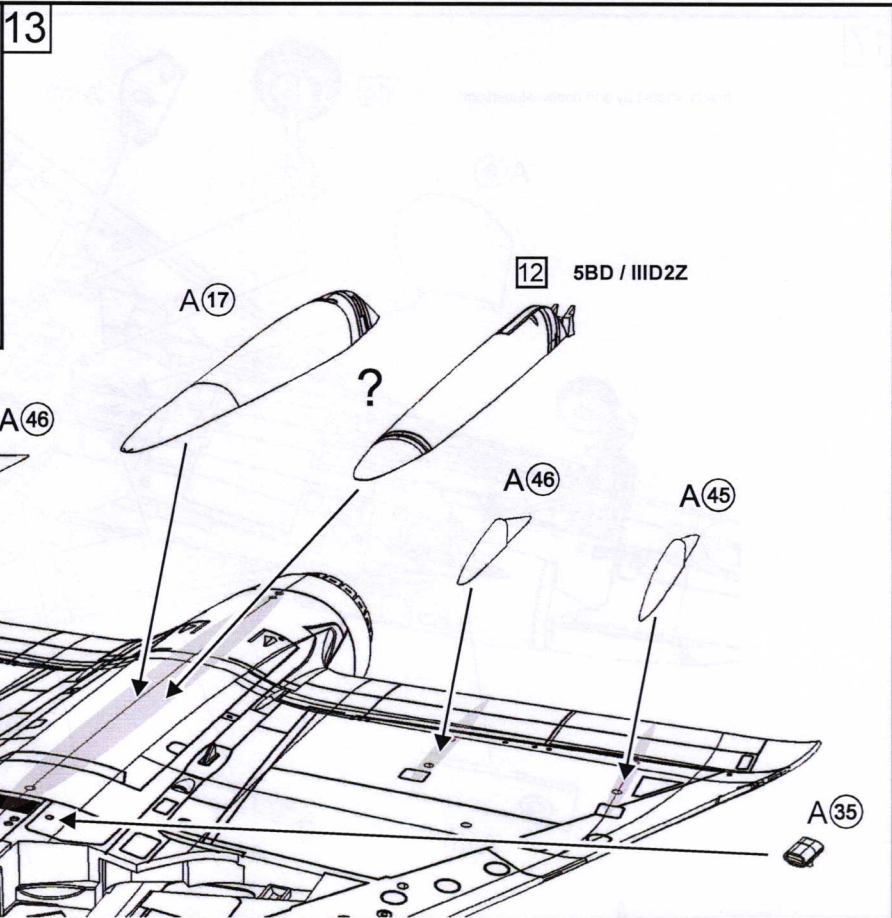
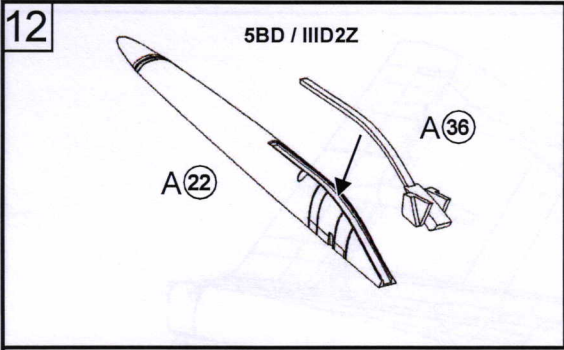


721029

● Resin parts ◆ Photo etched parts ? Option

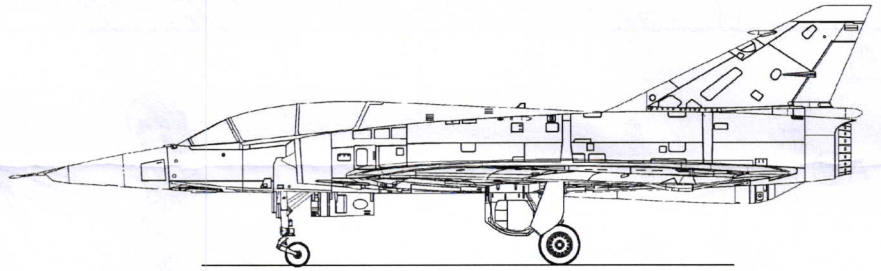
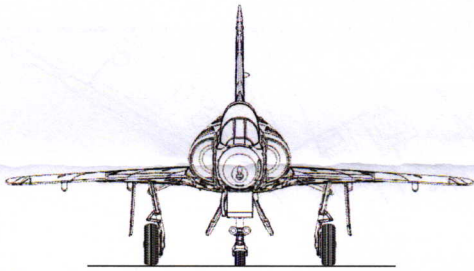
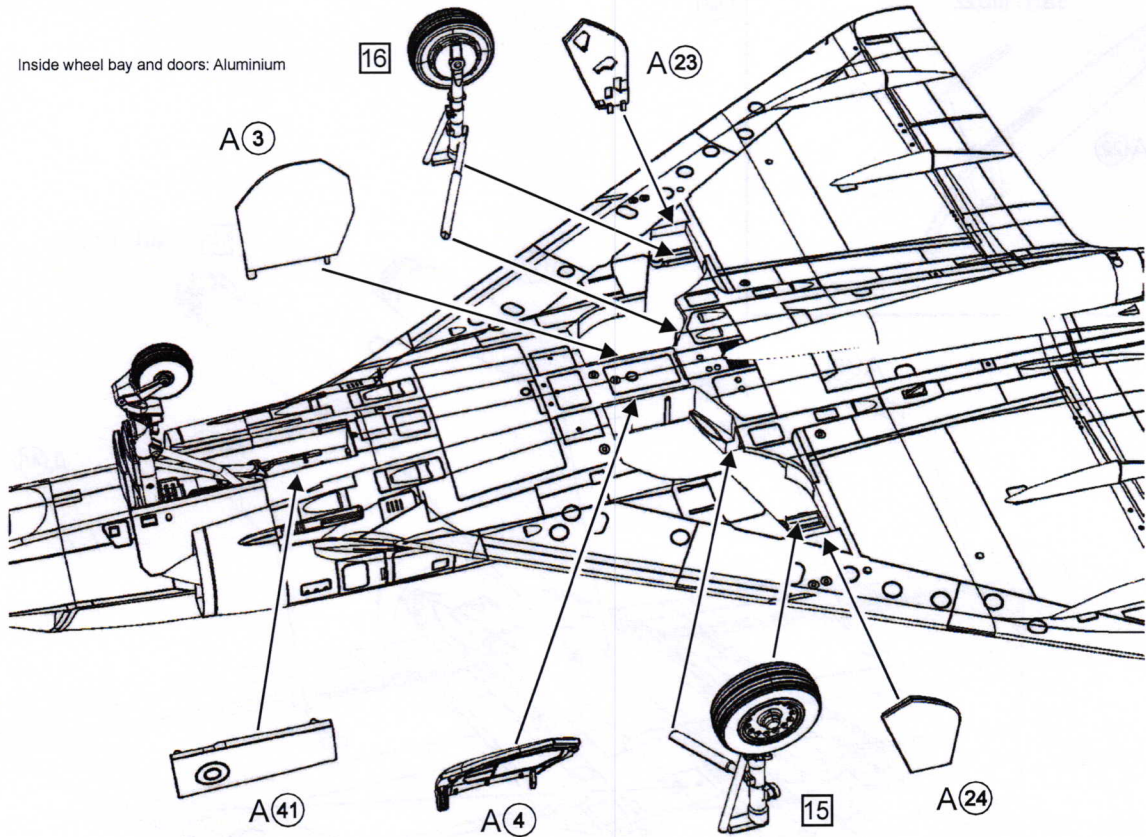






17

Inside wheel bay and doors: Aluminium



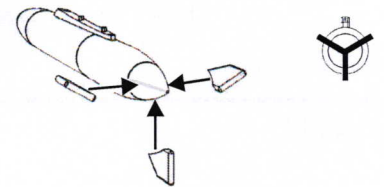
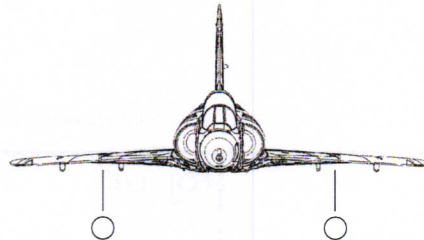
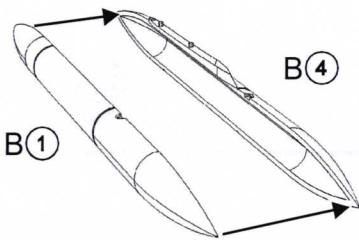
18 External 500L Fuel Tanks



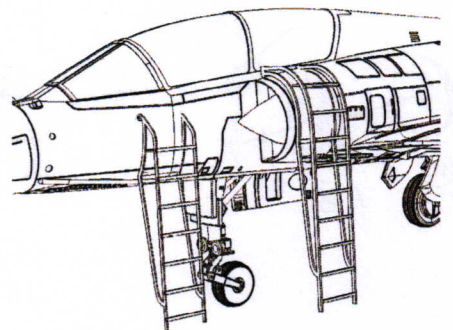
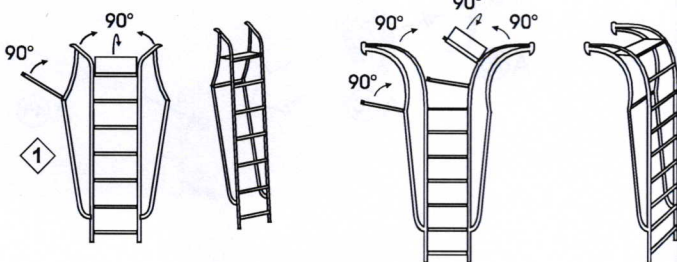
French tank (RPS 500)



Israeli tank for 5BD only



19 Ladders

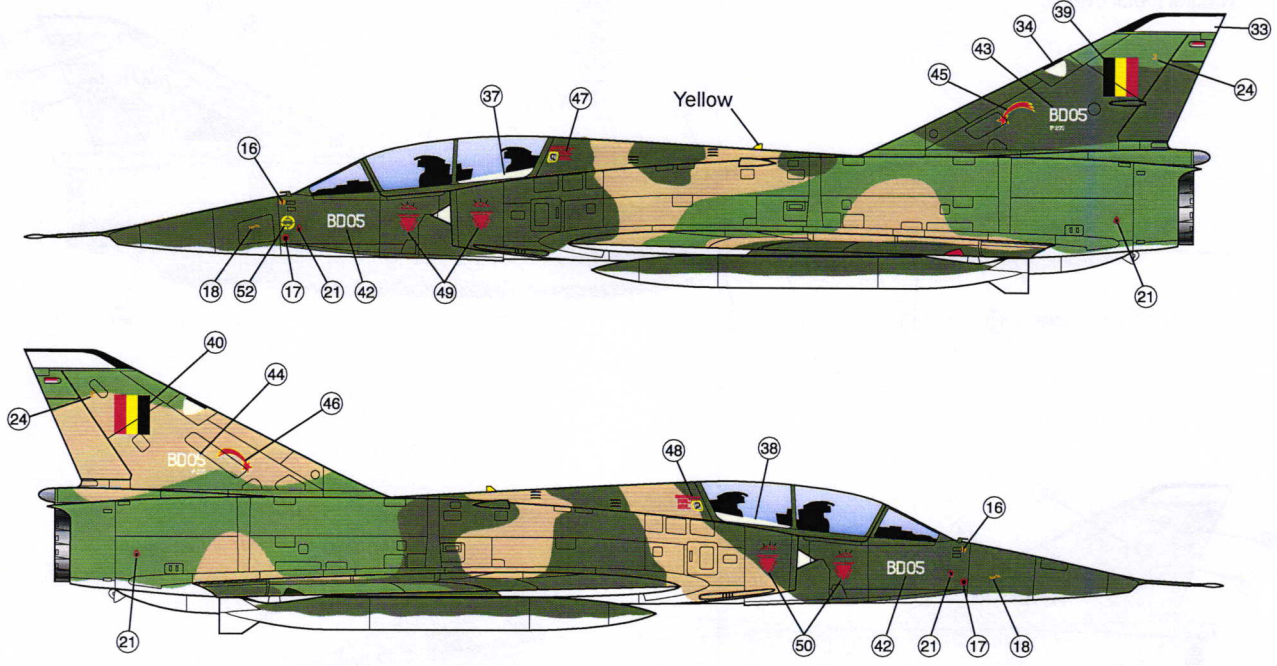


Rue A. Bodson 38 - B6280 Gerpinnes (Belgium)
 Tel / Fax : ++32 (0)71.50.44.39
 Email : pjproduction@pjproduction.net
 Web site : www. pjproduction. net

AMD MIRAGE V BD (BD05)

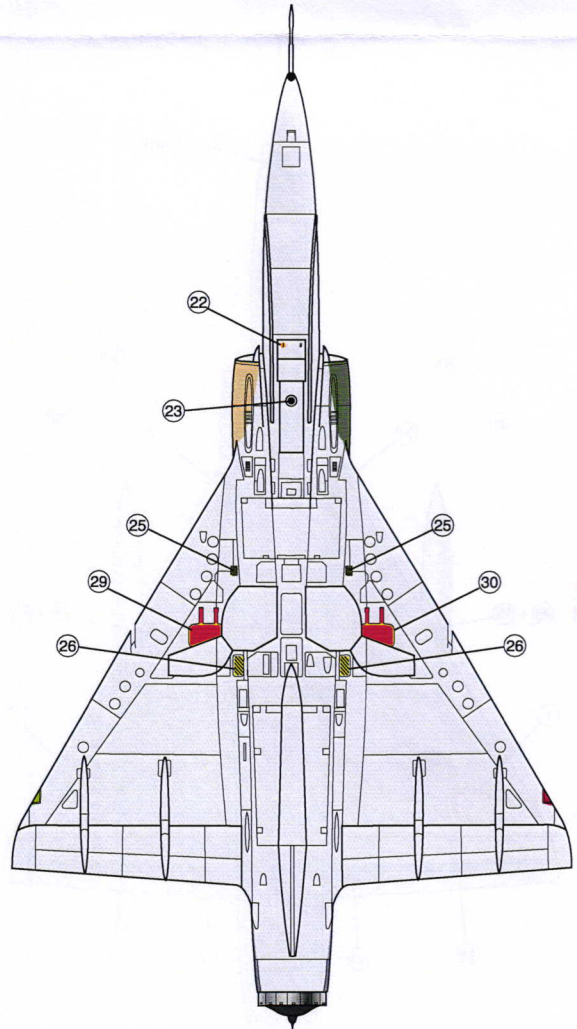
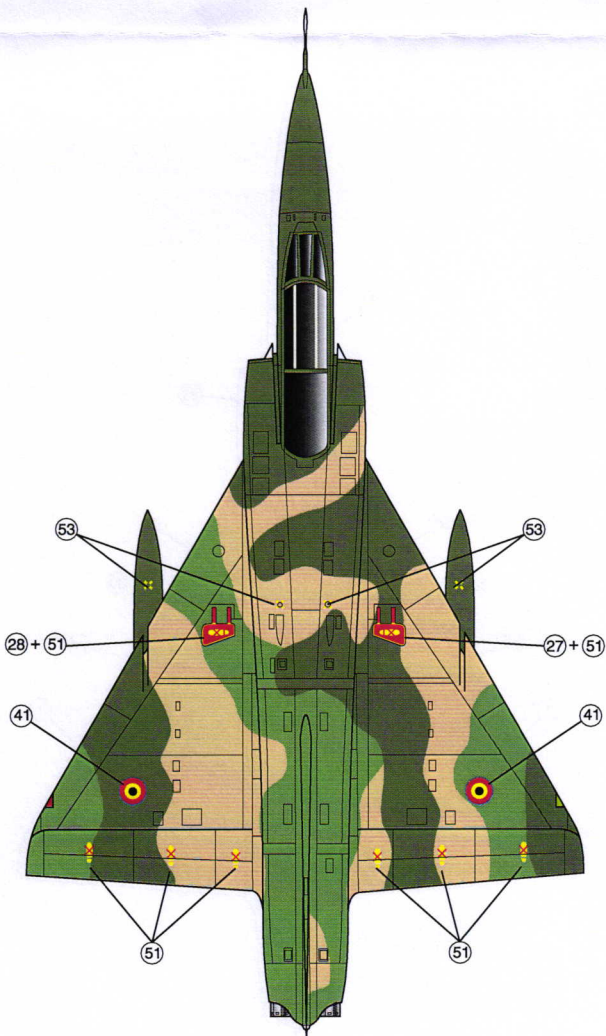
2 Sqn Belgian AF - Florennes (1985)

Dark Green/Medium Green/Tan uppersurfaces, Light Grey undersurface.



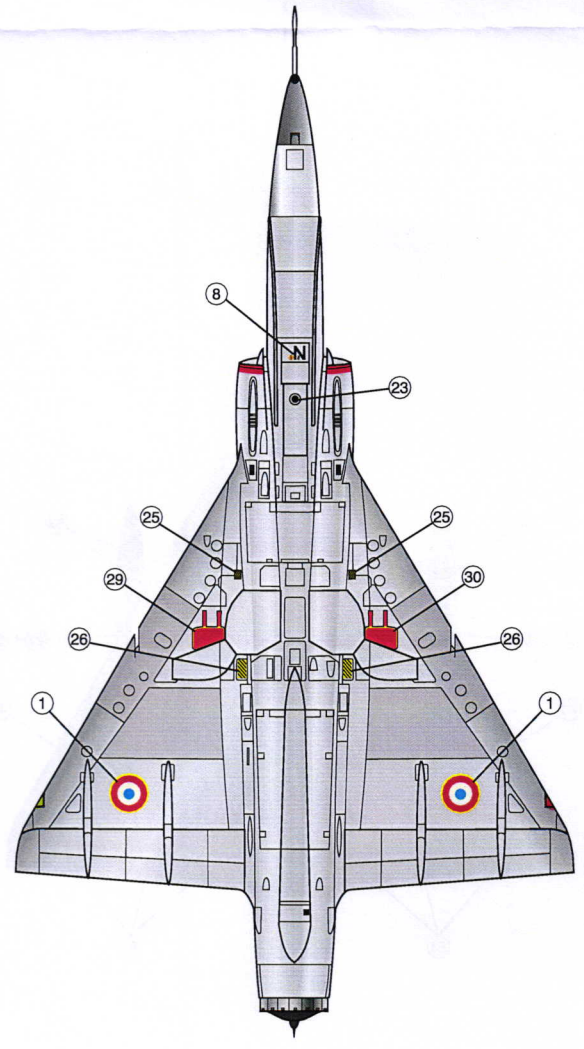
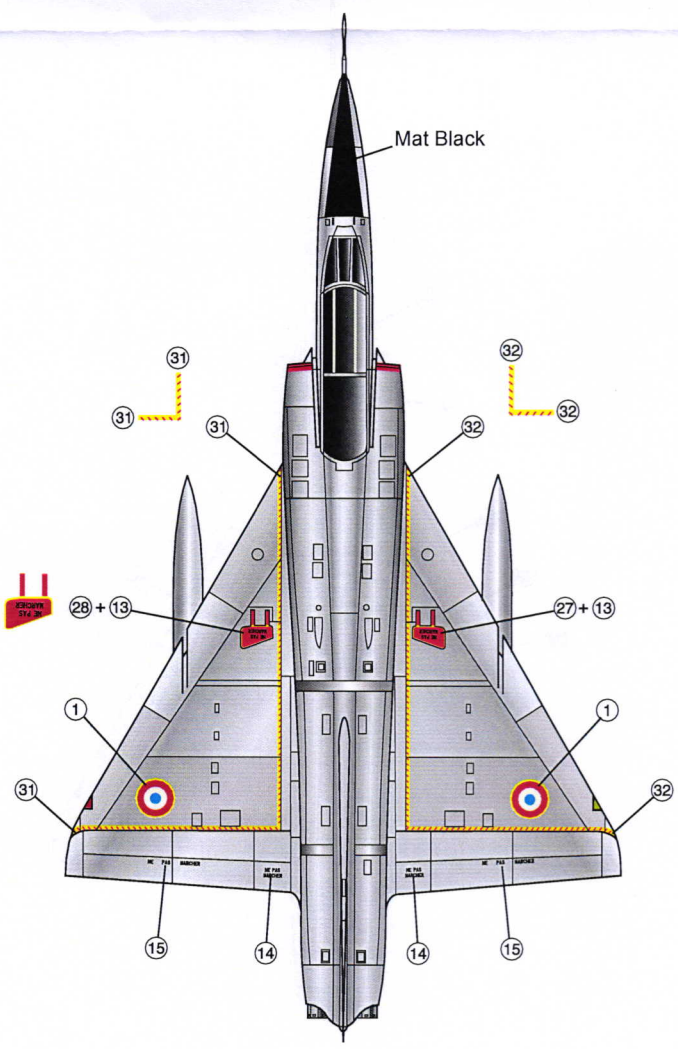
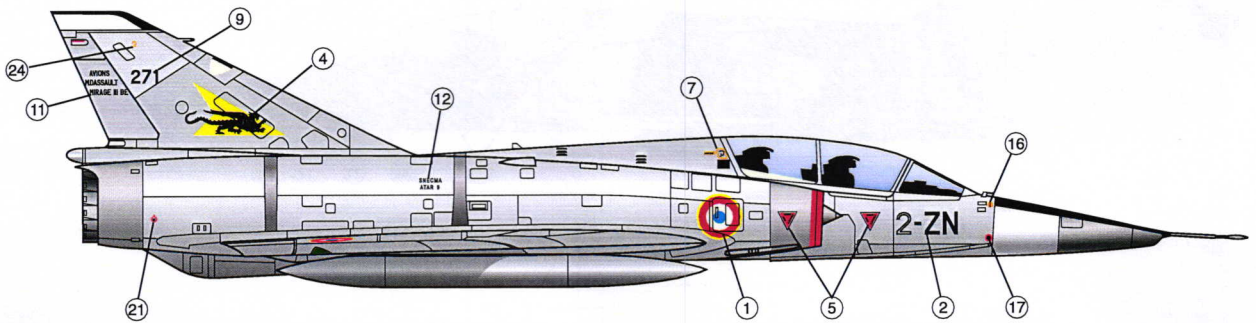
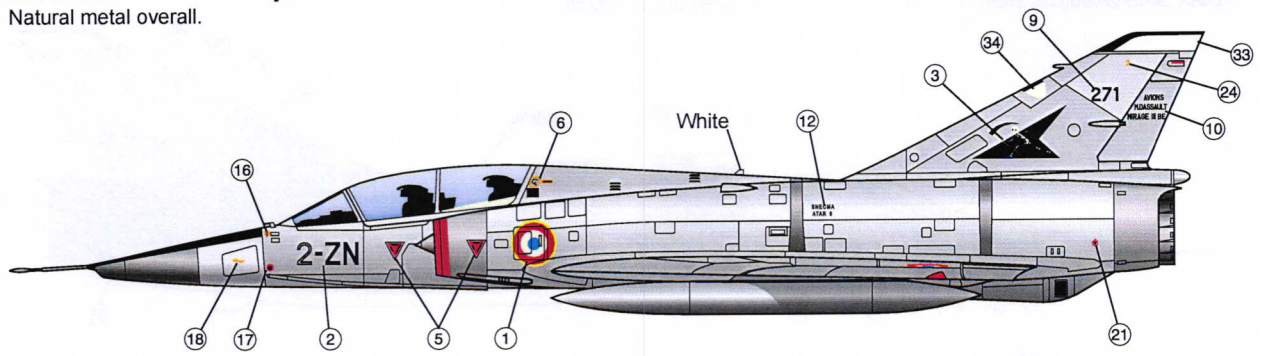
	Humbrol	Gunze	Tamiya	Fed. Std
Dark Green	116	H309	XF27/61	FS24064
Medium Green	117	H75	XF61/65	FS24102
Tan	118	H310	XF52	FS20219
Light Grey	147	H62	XF19	FS26662

Note: These colours are given as an indication. Please also refer to your own documentation



AMD MIRAGE III BE (271ZN)

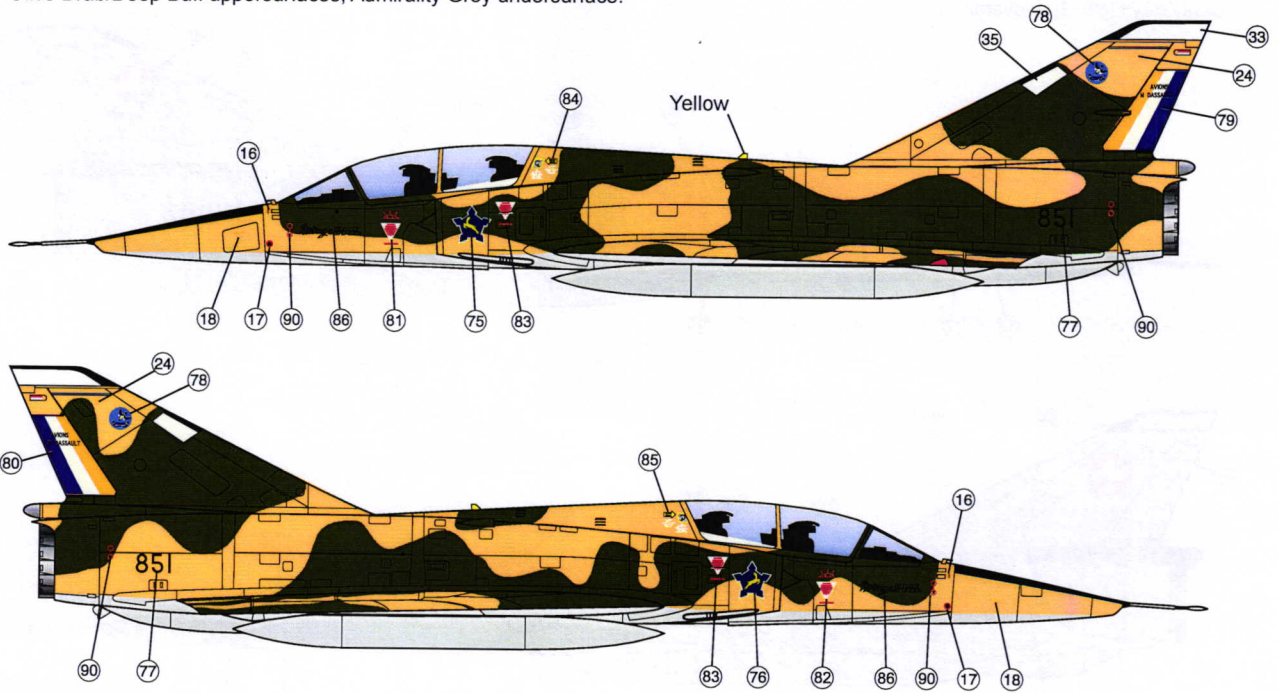
ECT 02/002 "Côte d'Or" - Dijon 1982.
Natural metal overall.



AMD MIRAGE III D2Z (851)

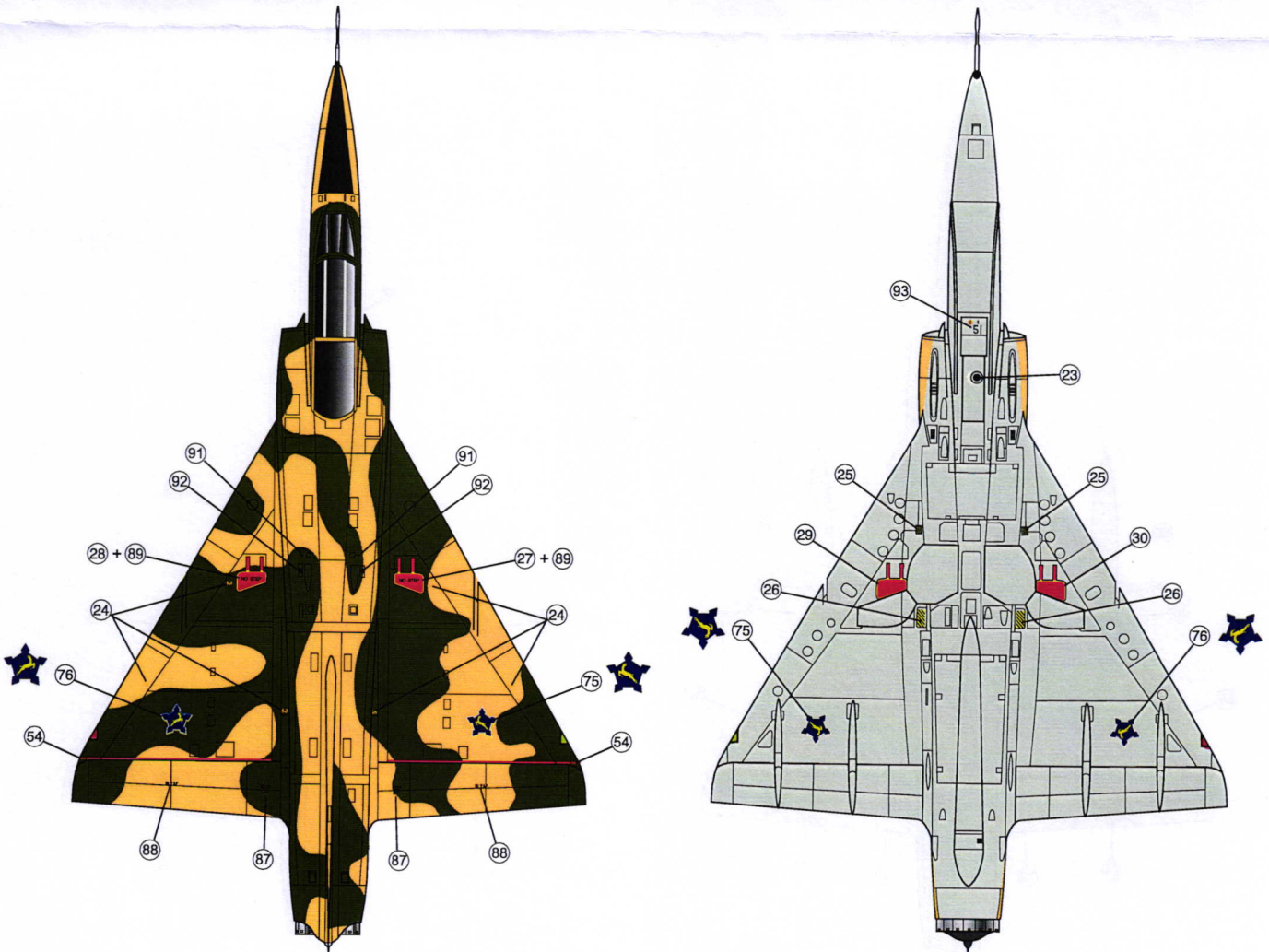
85 Sqn South African Air Force, Pietersburg (1975)

Olive Drab/Deep Buff uppersurfaces, Admiralty Grey undersurface.



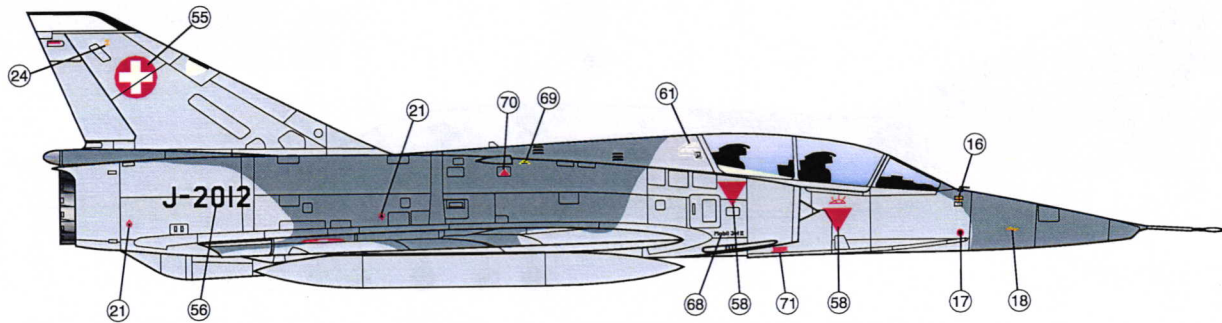
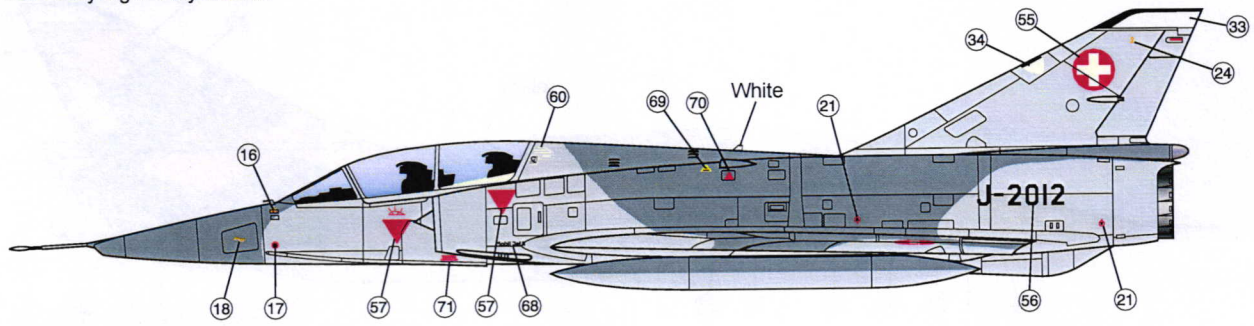
	Humbrol	Gunze	Tamiya	Fed. Std
Olive Drab	66	H78	XF62	FS34087
Deep Buff	63	XF59	XF59	FS30259
L Admiralty Grey	147	H339	XF14	FS36473

Note: These colours are given as an indication. Please also refer to your own documentation



AMD MIRAGE III DS (012)

Überwachungsgeschwader, Payerne (before 1989)
Dark Grey/Light Grey overall.



	Humbrol	Gunze	Tamiya	Fed. Std
Dark Grey	128	H307	-	FS36320
Light Grey	127	H308	XF19	FS36375

Note: These colours are given as an indication. Please also refer to your own documentation

