

1:32 Scale 美国海军 SBD-3/4/A-24A “无畏” 俯冲轰炸机

U.S. NAVY SBD-3/4/A-24A “Dauntless”

READ BEFORE ASSEMBLY:

- This kit is not recommended for inexperienced modelers or for children under 14 years of age
- Study and understand these instructions thoroughly before beginning assembly
- When needed, remove photo-etch parts carefully using a modeling knife or photo etch sprue cutter, being careful not to damage or lose small parts.
- Take extra care in handling photo etch parts in order to avoid injury
- Apply instant cement sparingly to photo etch parts where instructed
- Tools recommended(not included in kit):Plastic and instant cements,sprue cutters,long nose pliers,,modeling knife, small files, tweezers, pin vise & scissors. Soft cloth and sandpaper will also assist in construction
- Glue and paint are not included in the kit. Use plastic cement and hobby paints only. Color guide for purchasing paint is included in the kit.
- Keep out of reach of small children. They must not be allowed to ingest small parts or handle plastic bags in any way.

装配之前仔细阅读

- 小心用模型锉刀锉平所有零件表面的注射浇口。
- 小心用刀片切下蚀刻片零件，不要遗失小零件。
- 用强力快干胶水粘合蚀刻片零件和金属轴。过量的快干胶水使用可能导致可动零件会粘住，小心涂胶。
- 取蚀刻片时应特别注意安全，防止利边划伤手指。
- 某些零件表面需贴水贴纸，请选择在装配的同时进行。
- 推荐模型工具(自备)：胶水，水口剪刀，长咀钳，刀片，锉刀，镊子钳，钻，剪刀，瞬间快干胶。
- 软布同砂纸同时也应该是必备工具。
- 请使用塑料胶水和油漆，模型内不含。
- 谨防小孩吸吮塑料零件，或者将塑料袋套在头上，制作时应将套材远离小孩接触。
- 本产品不适合14岁以下没有经验的模型爱好者

水贴纸的使用:

1. 从水贴纸上剪下印花;
2. 将印花放入温水中浸10秒, 然后放在干净布上。
3. 拿着印花纸板将印花移到模型上;
4. 手指蘸水将印花移到适当的位置;
5. 用软布轻压印花直至水干, 汽泡消失。

DECAL APPLICATION:

1. Cut decals from sheet as needed
2. Dip the decal in warm water for about 10 seconds and then place on soft clean cloth.
3. Hold the decal backing sheet edge and gently slide the decal onto the model in its proper position.
4. While still wet, decal can be adjusted for better fit on model by dampening it gently with your finger.
5. When placed in the proper position, gently press decal down with a soft cloth until excess water and air bubbles are gone.
6. Allow decal to dry completely before handling model



cyanoacrylate glue
使用强力胶



weight
配重



make hole
钻孔



cut / remove
切除



option
选择



no cement
不涂胶水



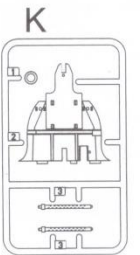
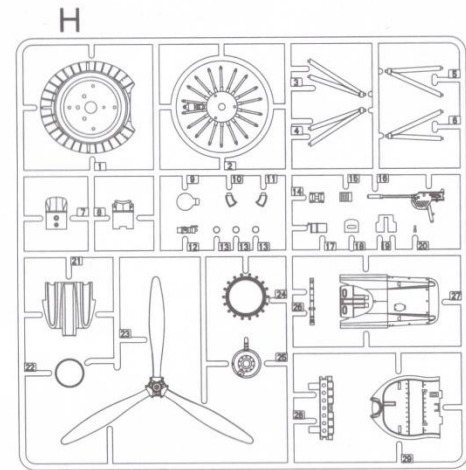
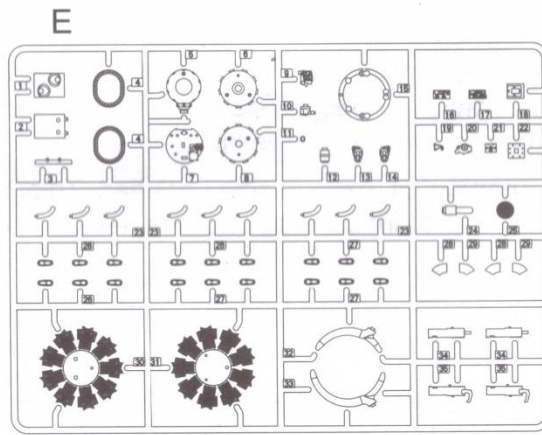
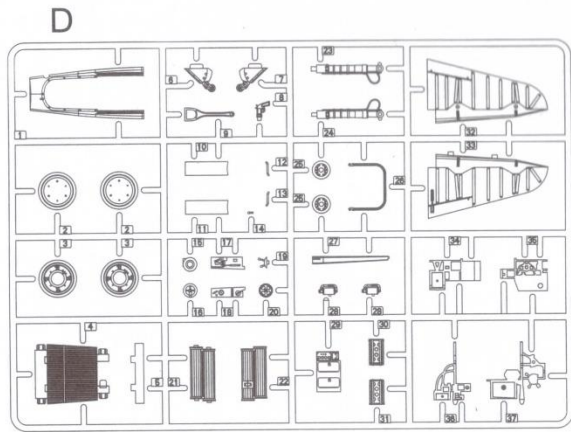
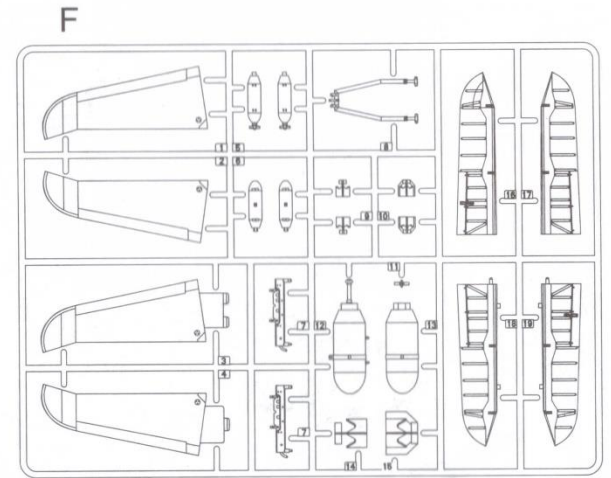
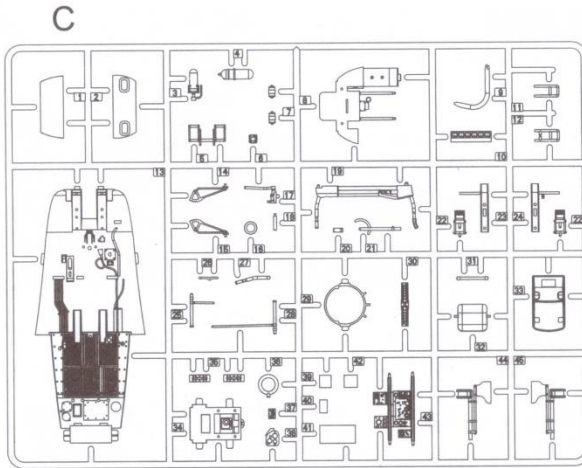
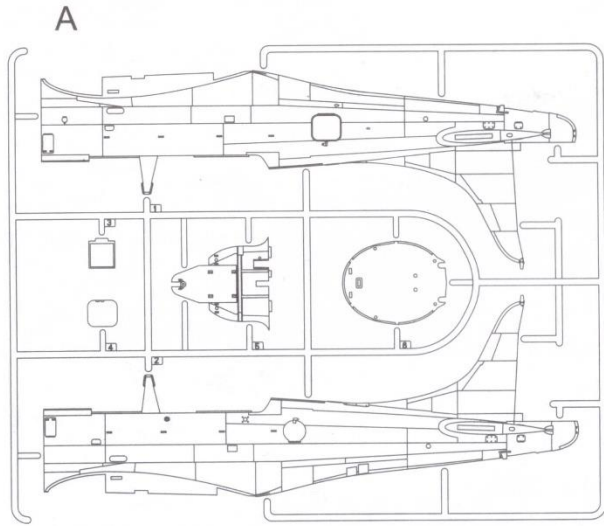
decal
贴纸



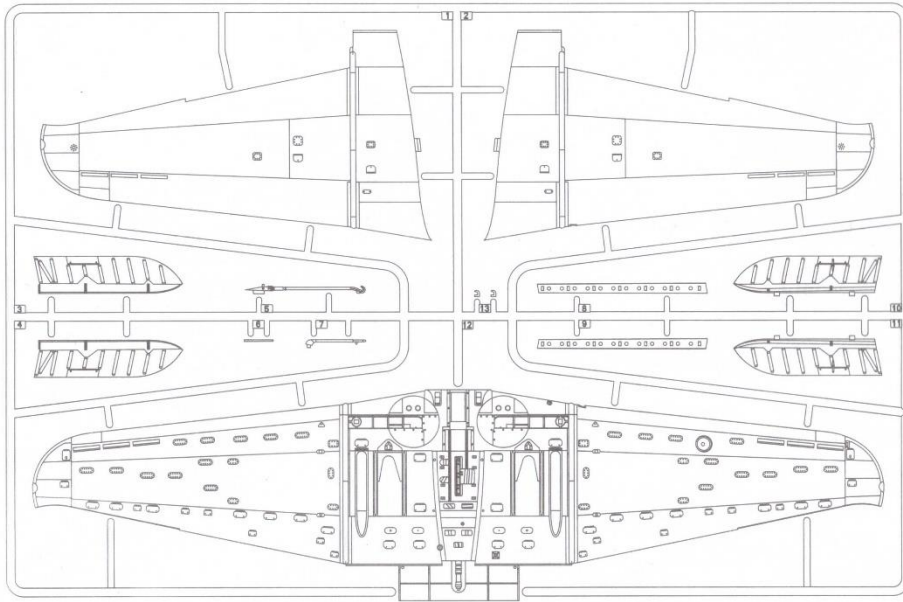
bend
弯曲



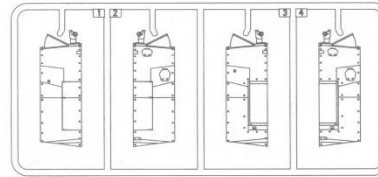
file / sand
锉平



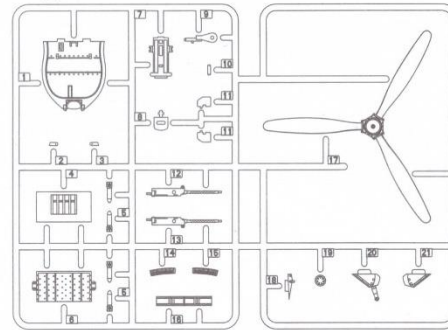
B



Q



S



SBD-3/4

<<主轮胎>>

Main tires



<<尾轮胎>>

Tail tire



A-24A

<<主轮胎>>

Main tires

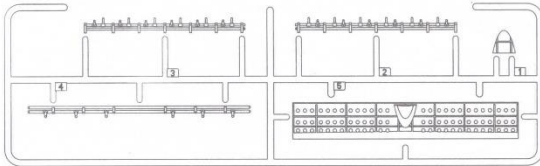


<<尾轮胎>>

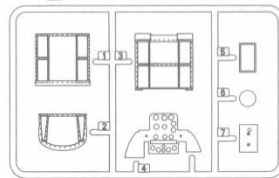
Tail tire



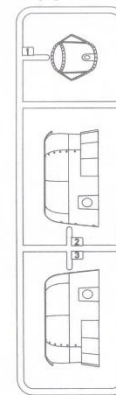
G1



L

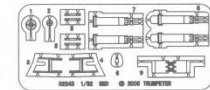


N

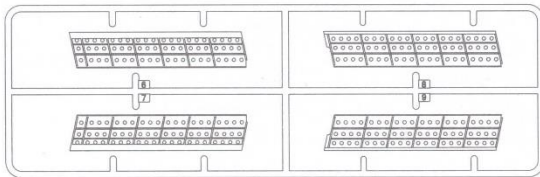


蚀刻片

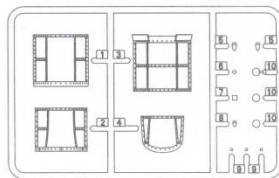
Photo Etched parts(PE)



G2



M



菲林片
Film



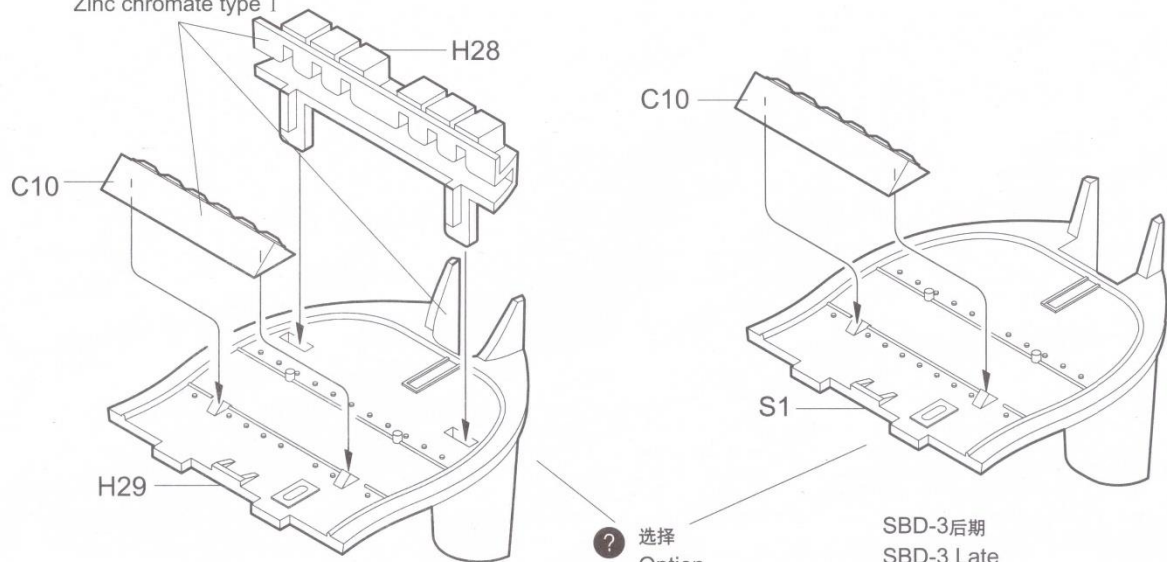
水贴纸
Decal



1

H 351

机内绿
Zinc chromate type I



? 选择
Option

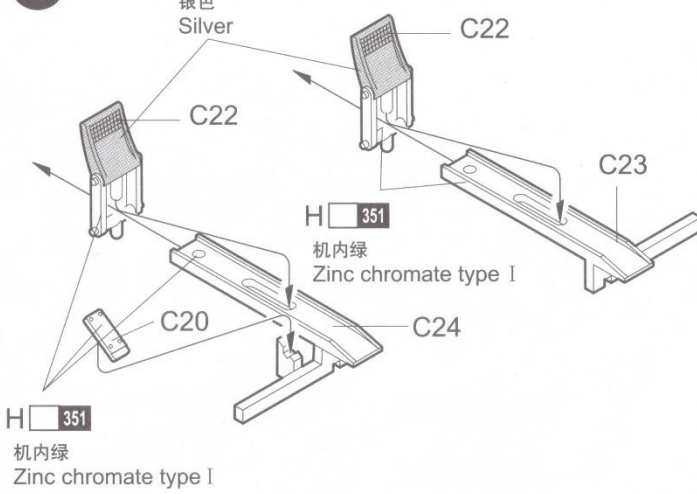
SBD-3后期
SBD-3 Late

SBD-3早期
SBD-3 Early

2

H 8 8

银色
Silver



H 351

机内绿
Zinc chromate type I

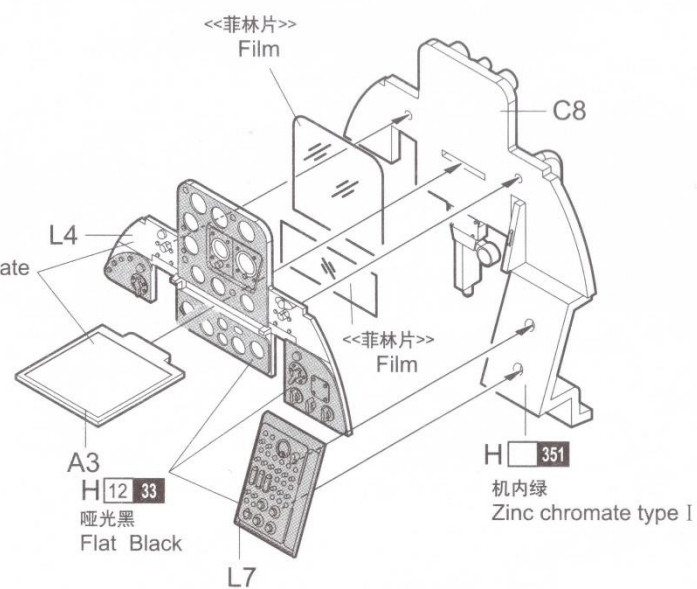
H 351

机内绿
Zinc chromate type I

<<菲林片>>
Film

H 351

机内绿
Zinc chromate type I



H 351

机内绿
Zinc chromate type I

A3

H 12 33

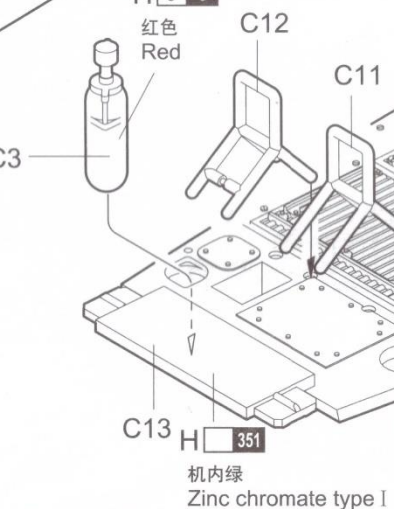
哑光黑
Flat Black

L7

H 3 3

红色
Red

C3



C13

H 351

机内绿
Zinc chromate type I

H 12 33

哑光黑
Flat Black

C27

C12

C11

C21

H 3 3

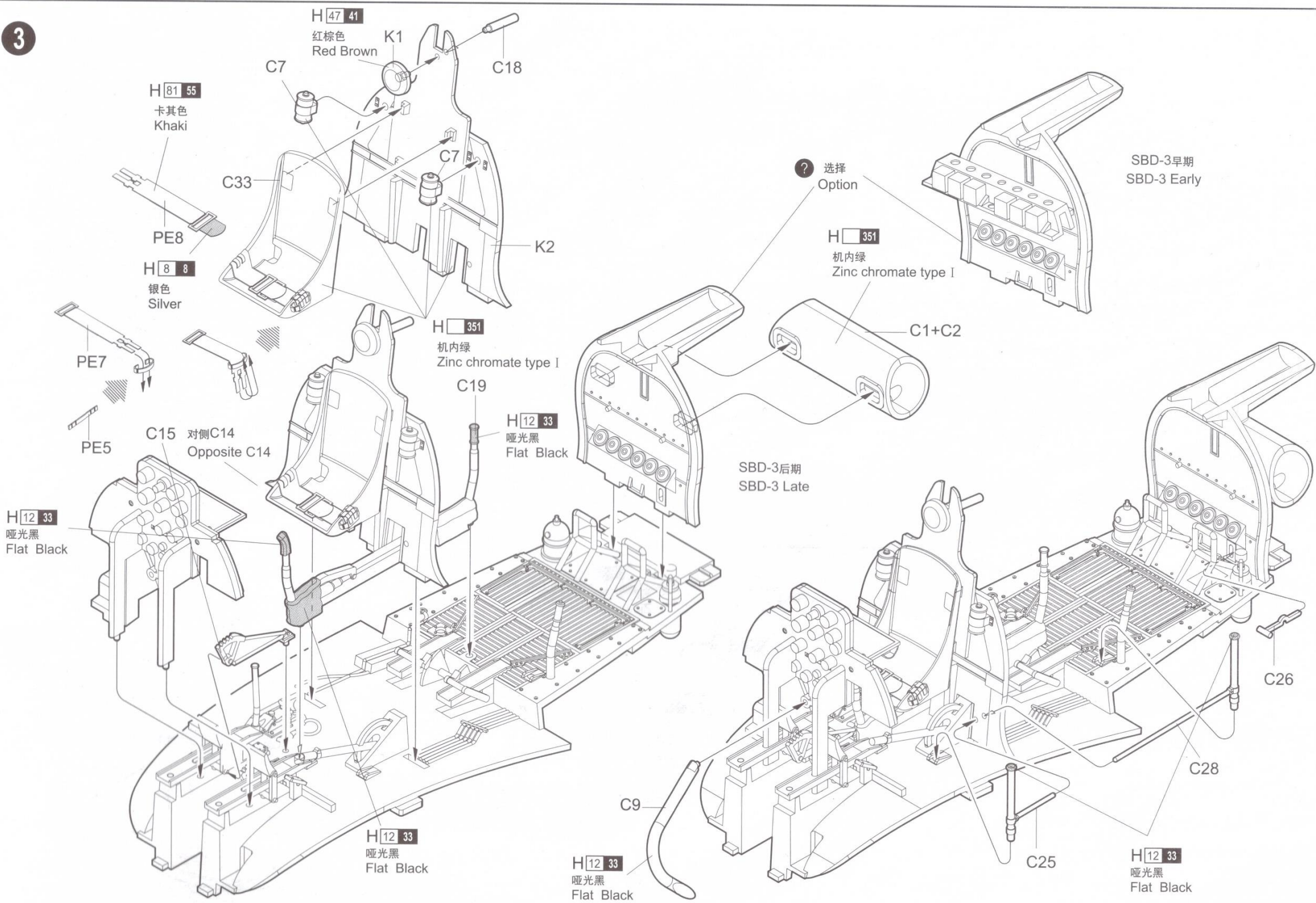
红色
Red

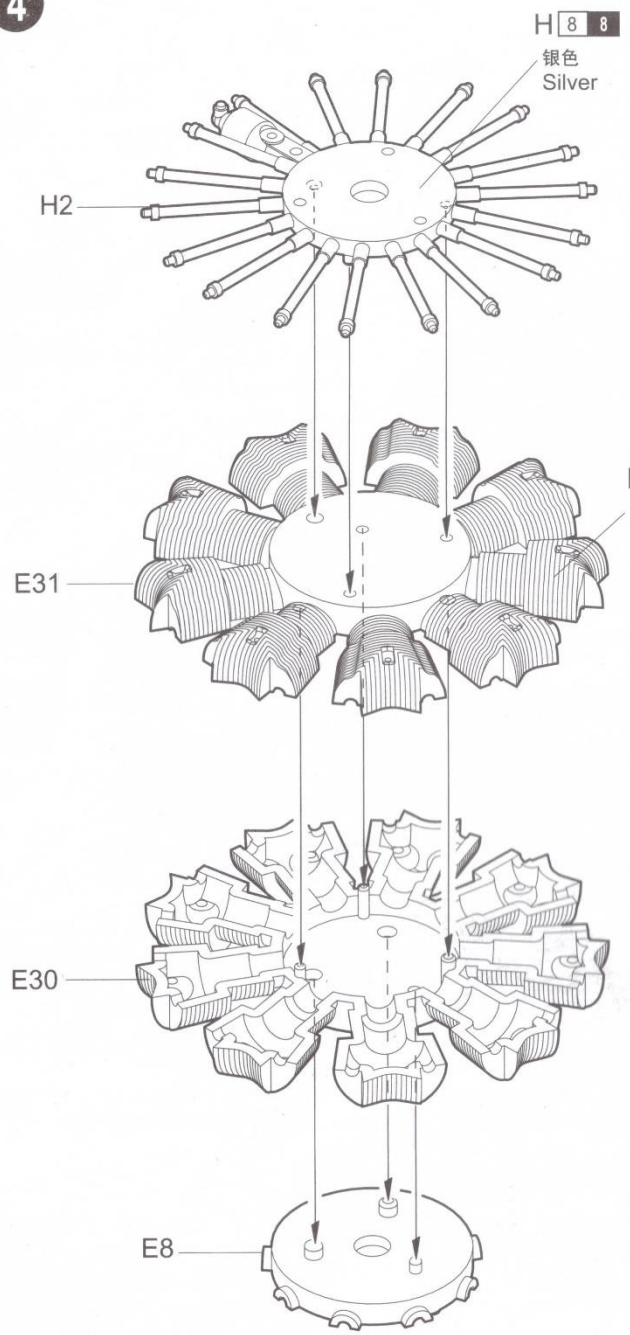
C17

H 351

机内绿
Zinc chromate type I

C5





H 8 8
银色
Silver

H 18 28
黑铁色
Steel

H 76 61
烧铁色
Burnt Iron

H 76 61
烧铁色
Burnt Iron

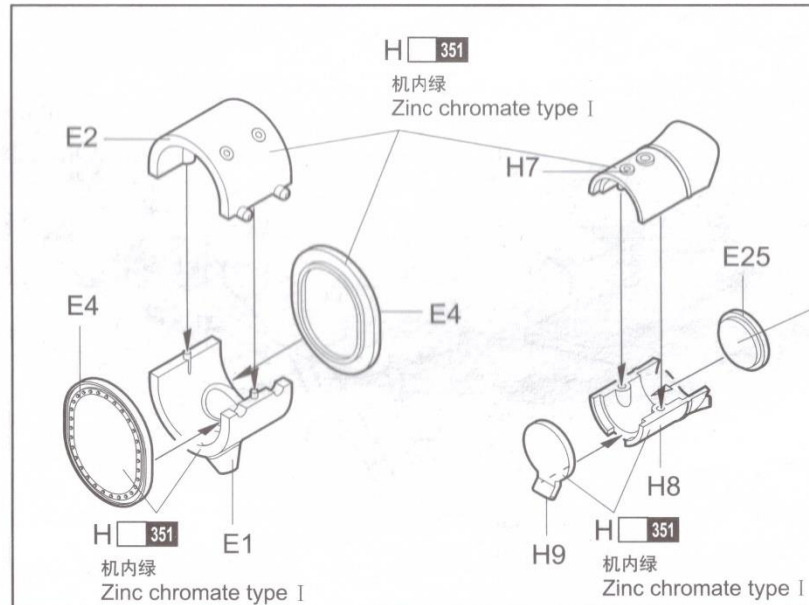
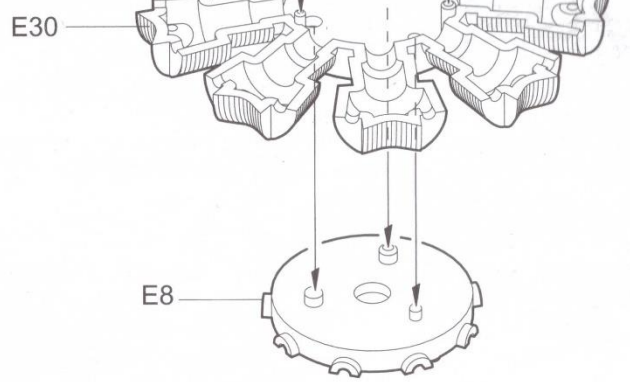
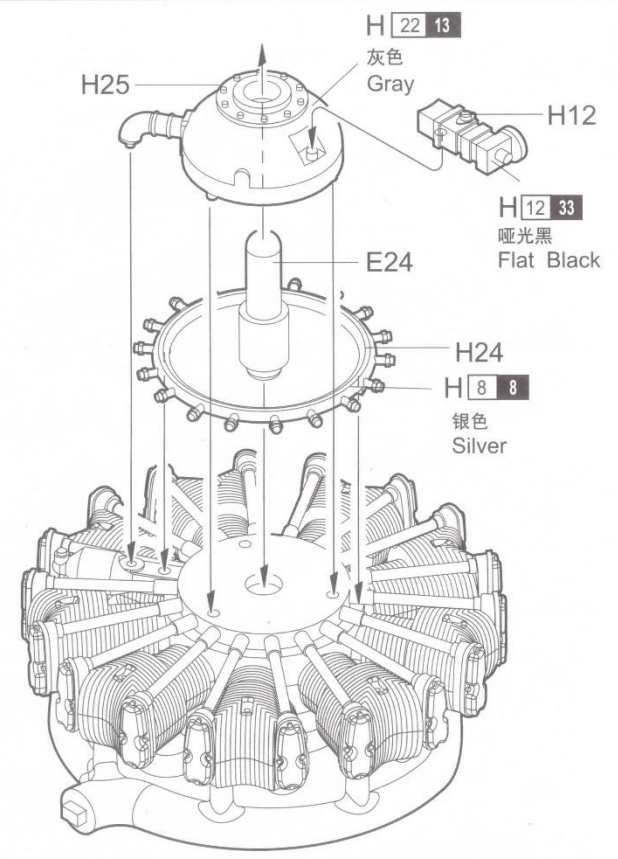
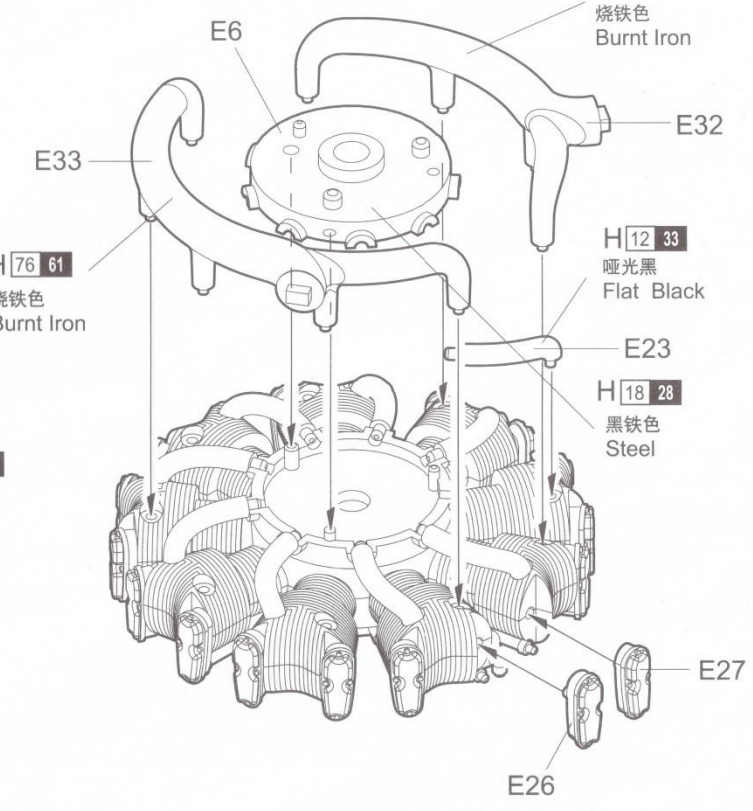
H 12 33
哑光黑
Flat Black

H 18 28
黑铁色
Steel

H 22 13
灰色
Gray

H 12 33
哑光黑
Flat Black

H 8 8
银色
Silver



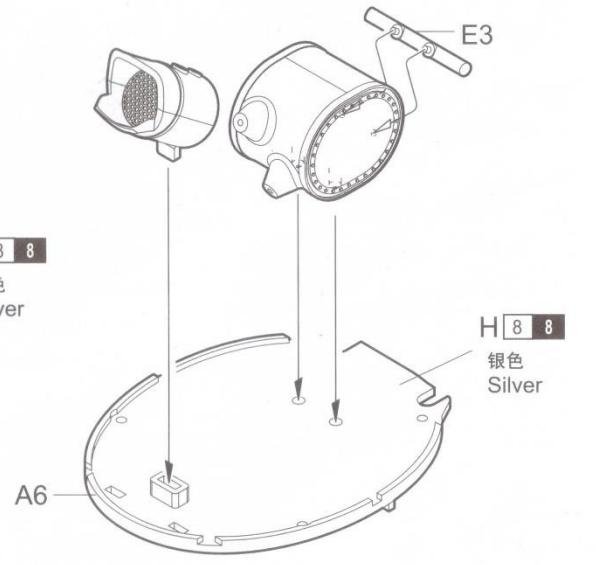
H 351
机内绿
Zinc chromate type I

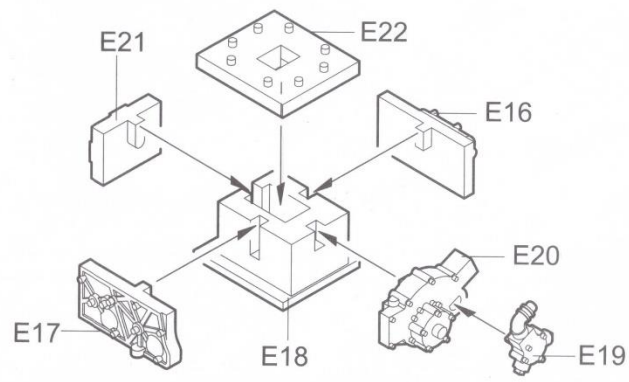
H 351
机内绿
Zinc chromate type I

H 351
机内绿
Zinc chromate type I

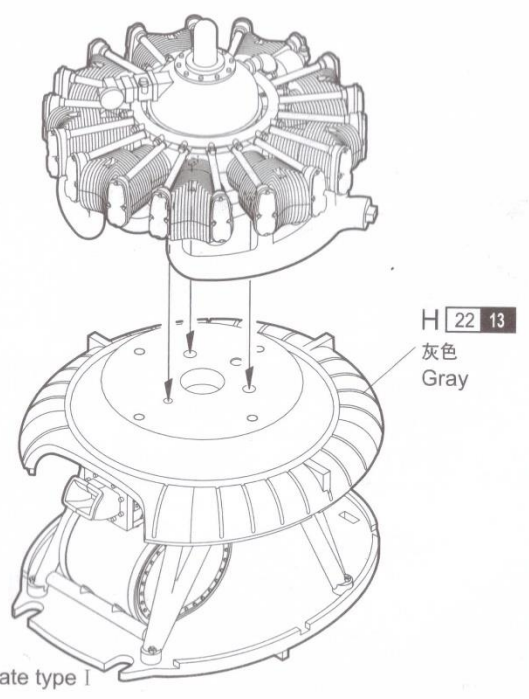
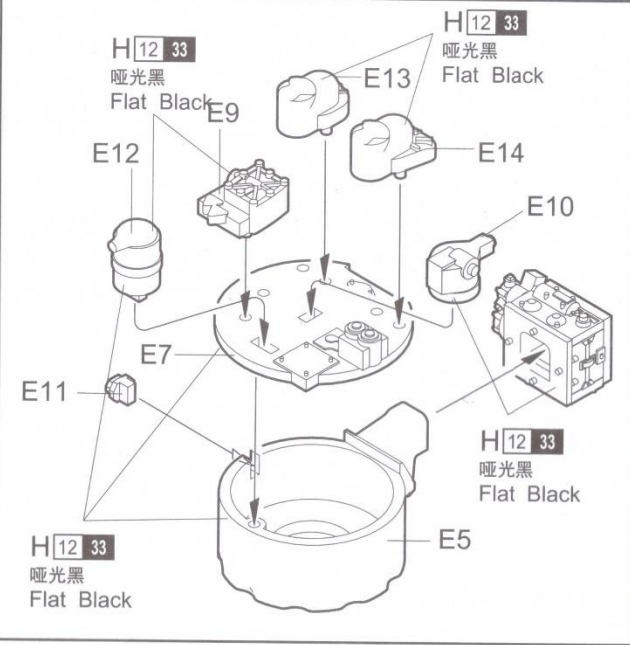
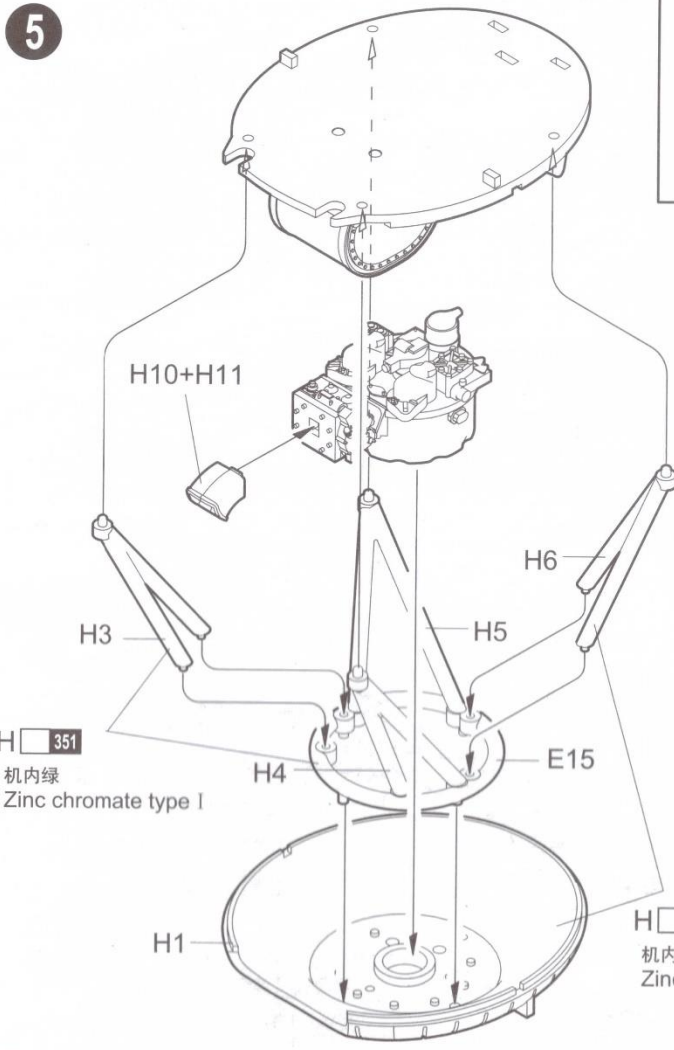
H 8 8
银色
Silver

H 8 8
银色
Silver

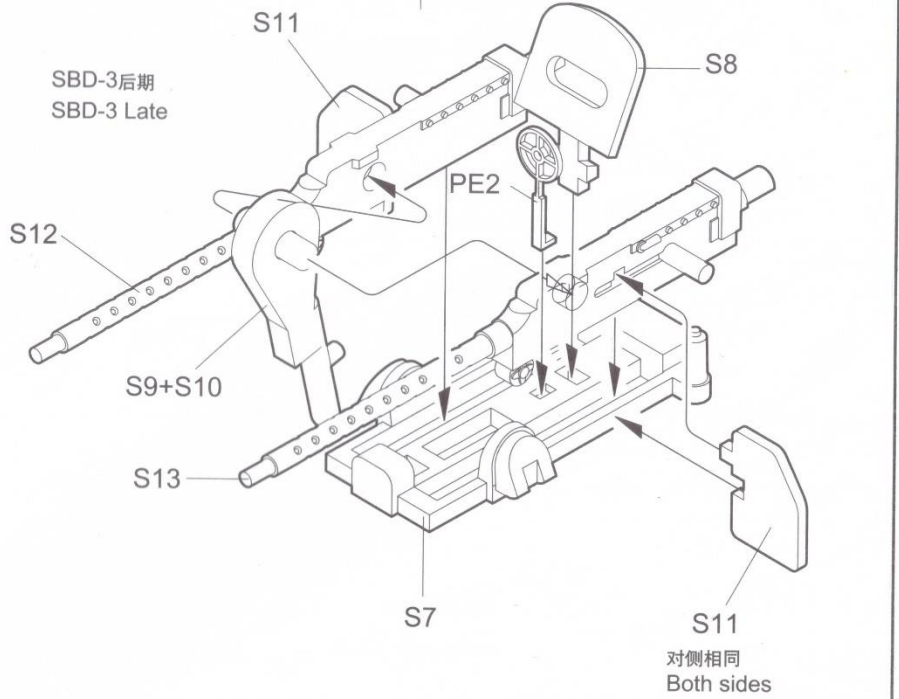
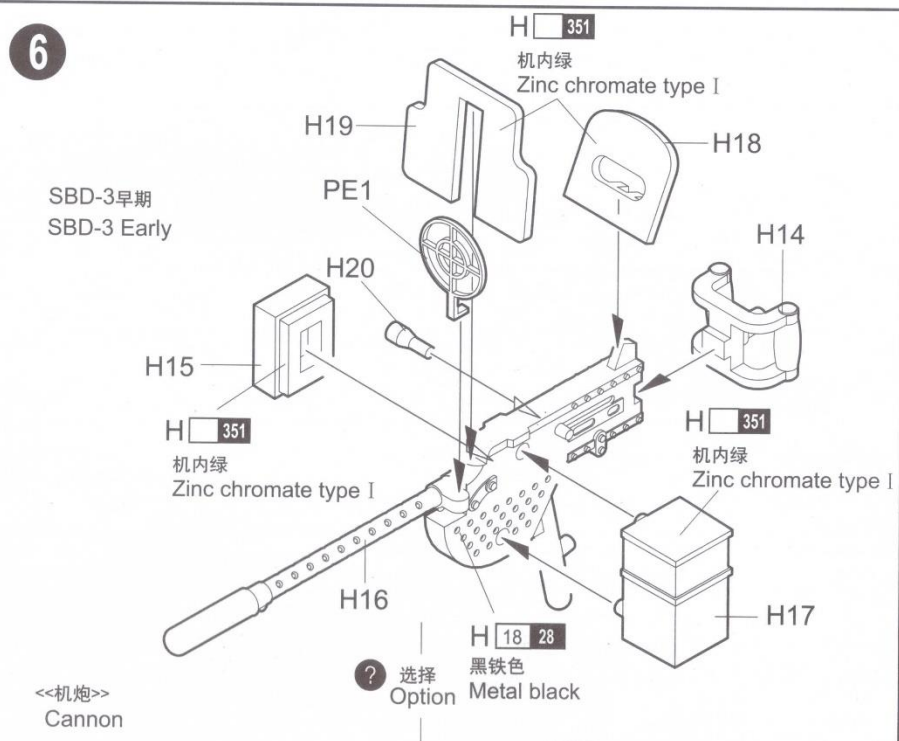


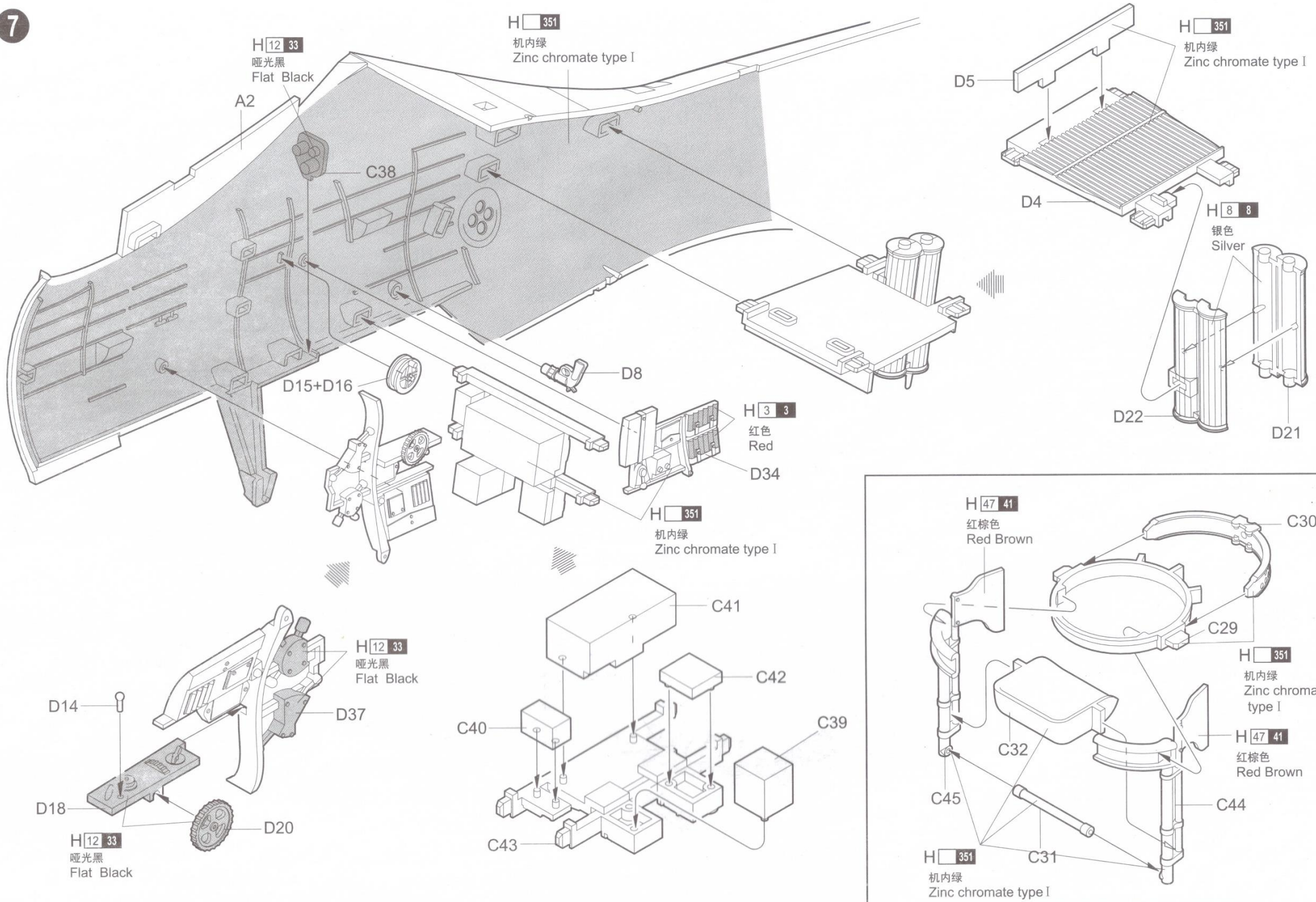


5



6

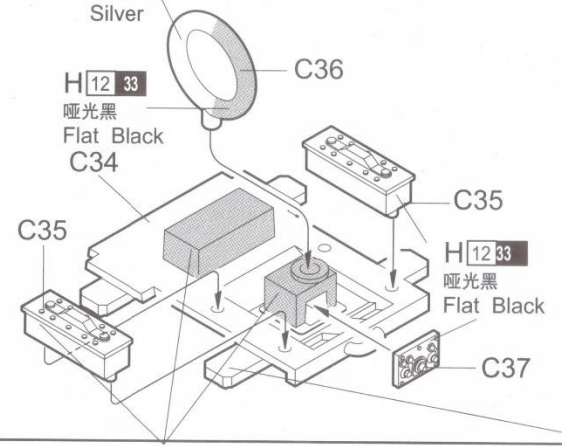




8

H 8 8

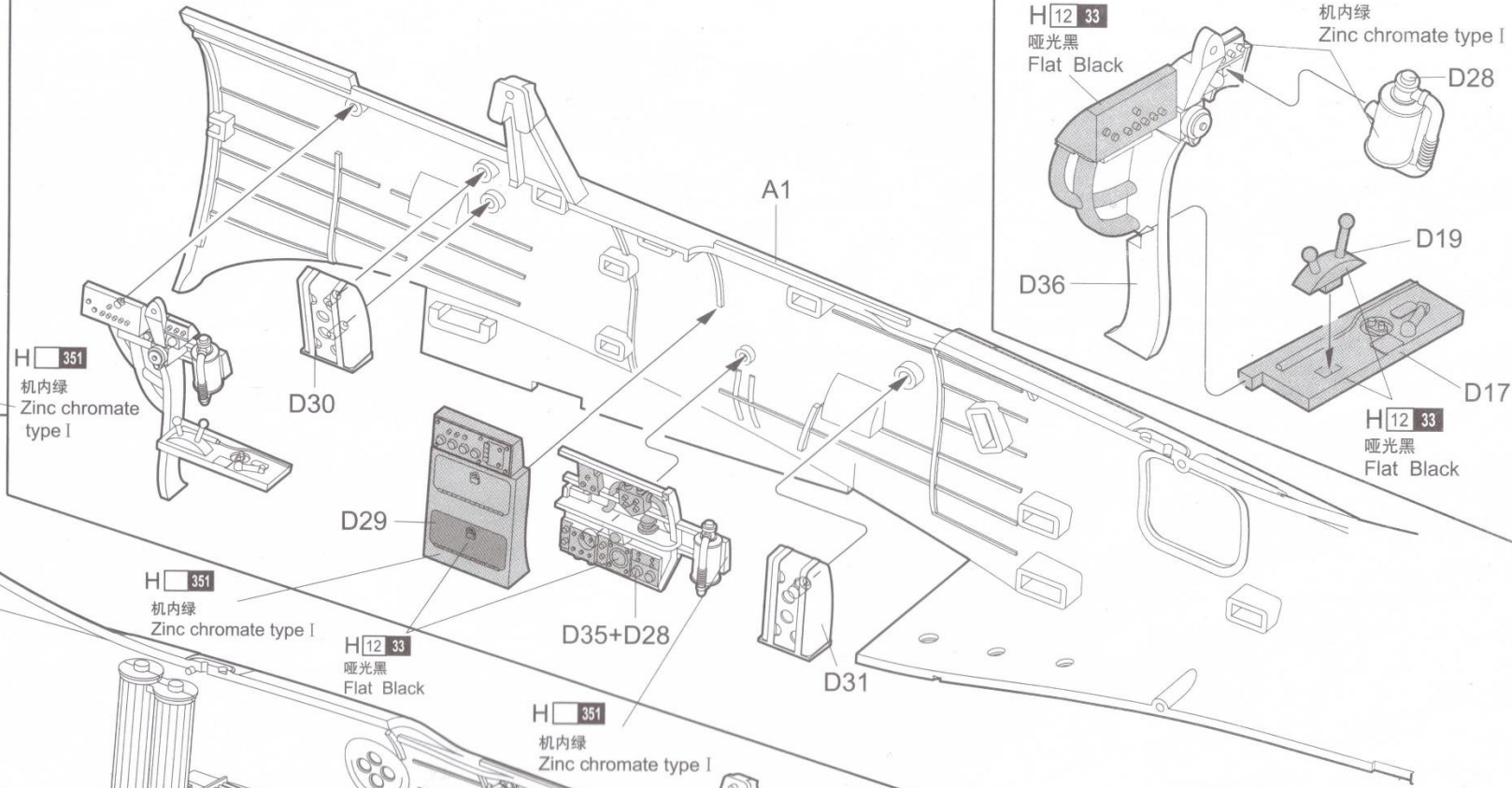
银色
Silver



H 12 33
哑光黑
Flat Black
C34

H 12 33
哑光黑
Flat Black

9



H 351
机内绿
Zinc chromate type I

H 351
机内绿
Zinc chromate type I

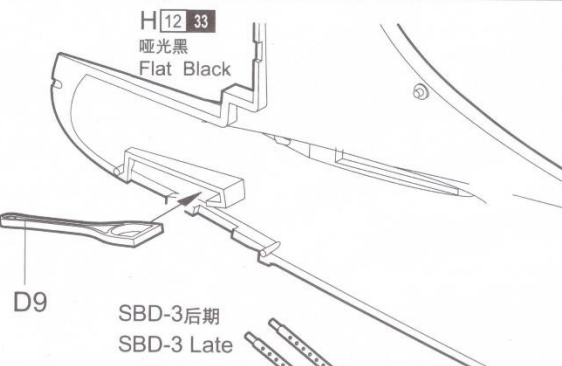
H 12 33
哑光黑
Flat Black

H 351
机内绿
Zinc chromate type I

H 12 33
哑光黑
Flat Black

H 351
机内绿
Zinc chromate type I

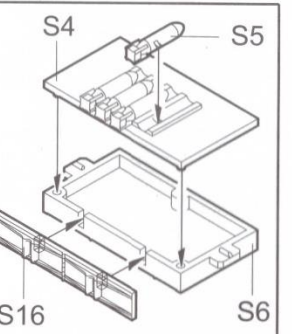
H 12 33
哑光黑
Flat Black



D9
SBD-3后期
SBD-3 Late



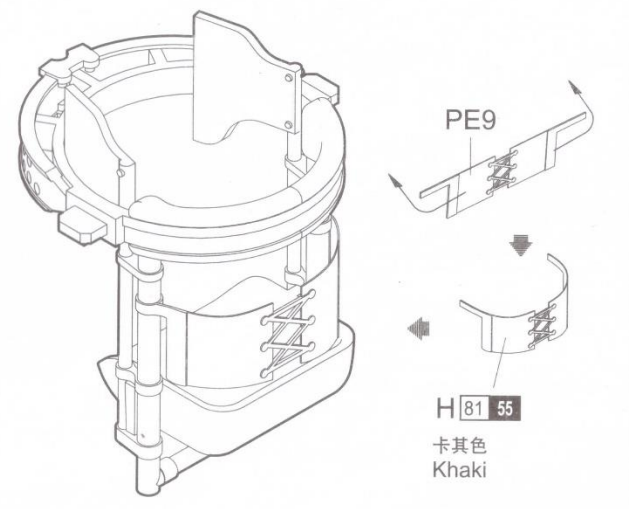
SBD-3早期
SBD-3 Early



S4 S5

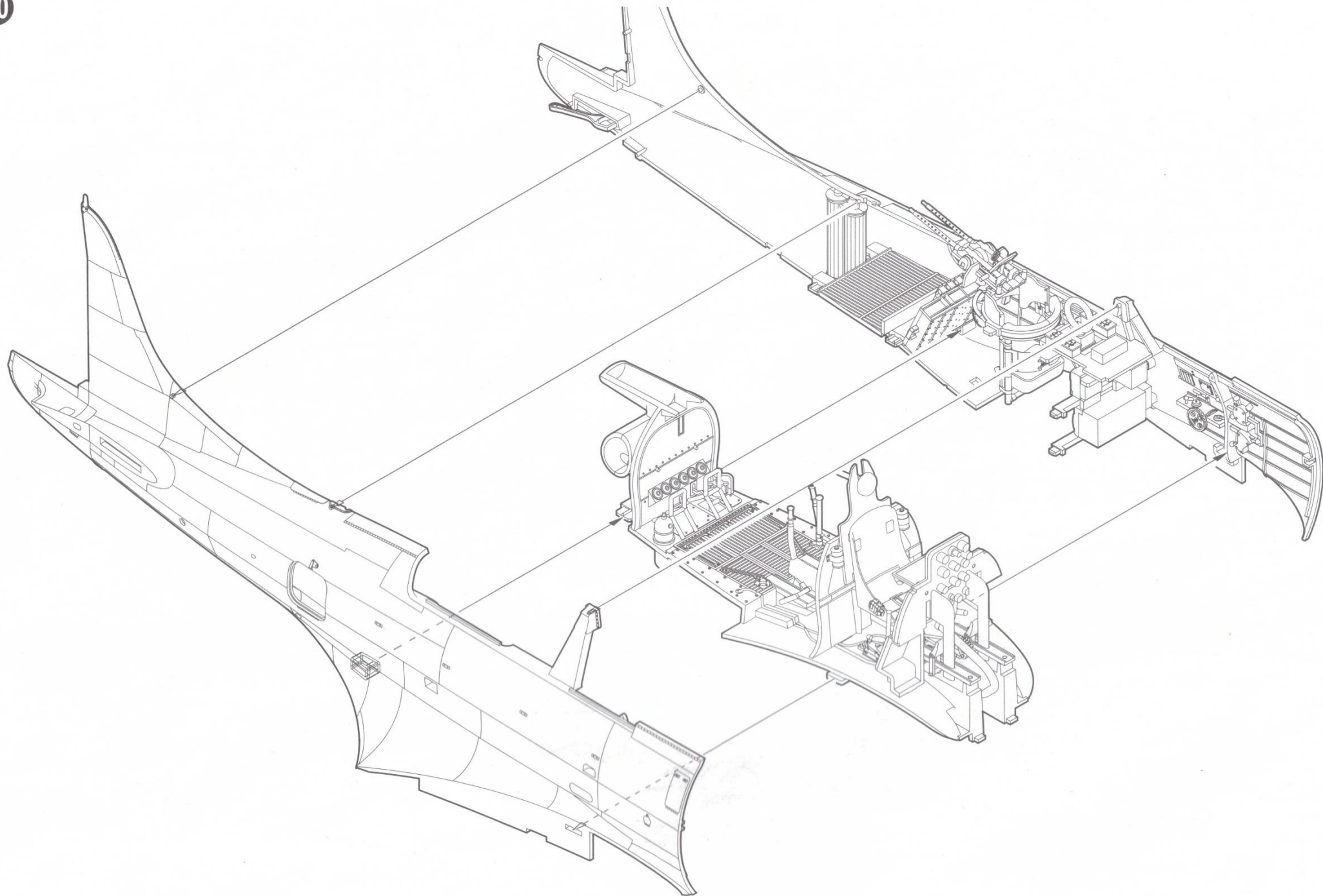
S16 S6

?
选择
Option



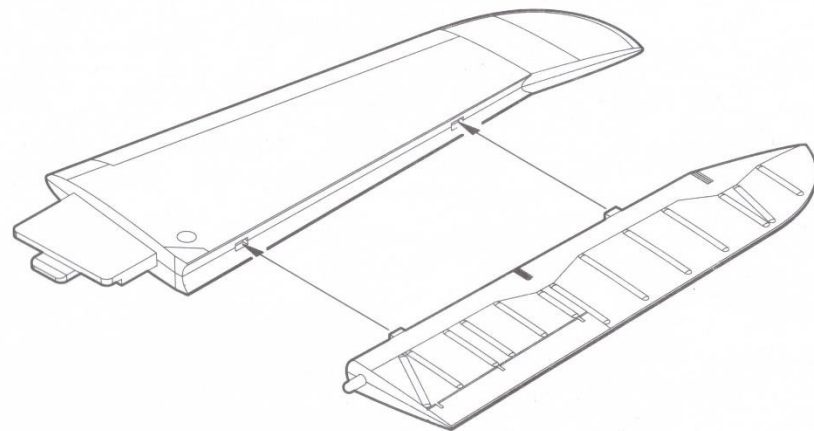
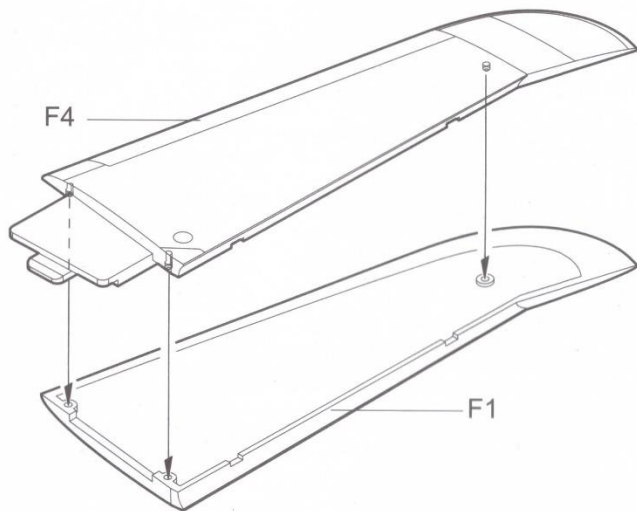
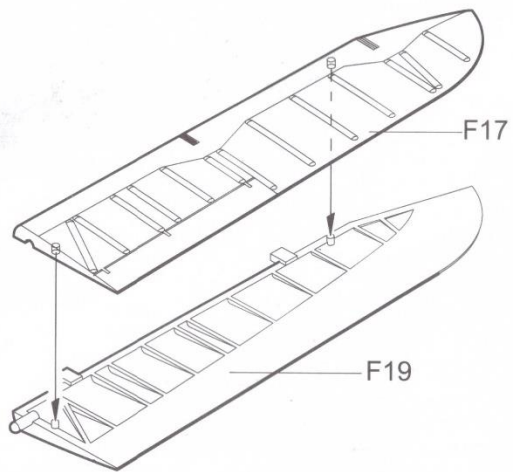
PE9

H 81 55
卡其色
Khaki



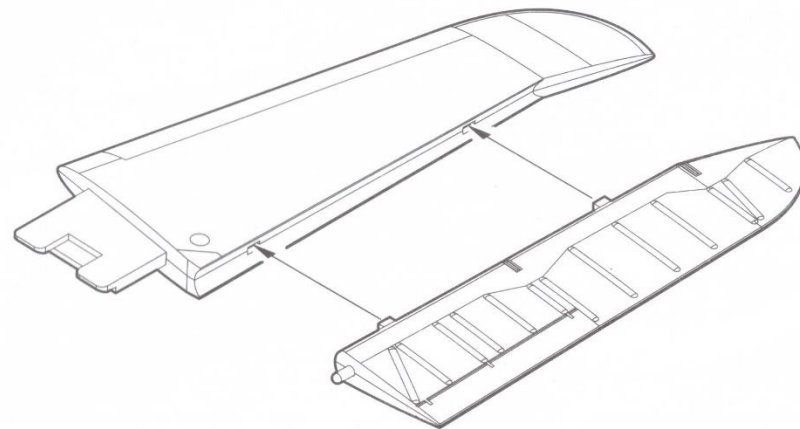
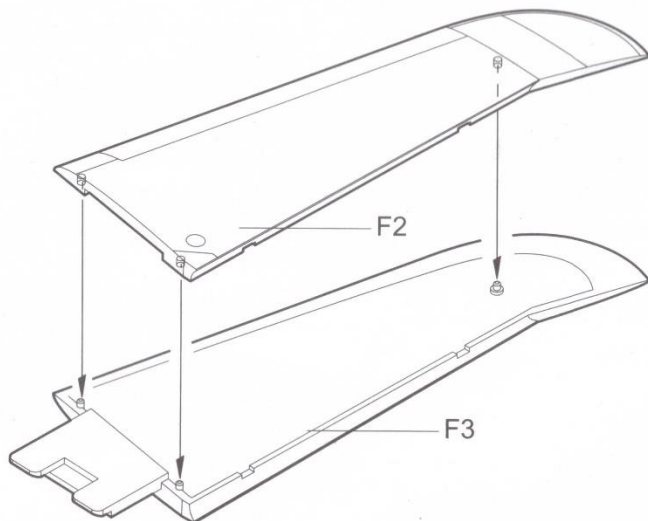
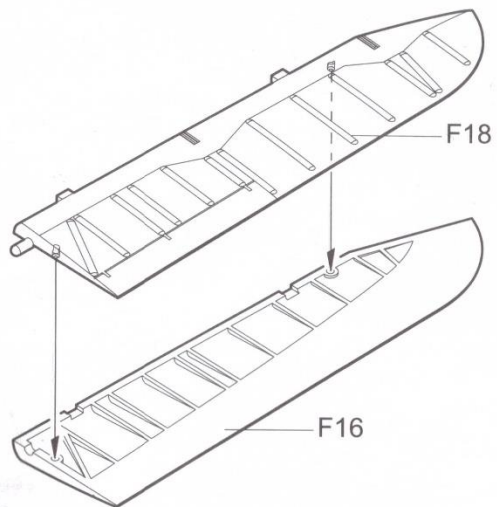
11

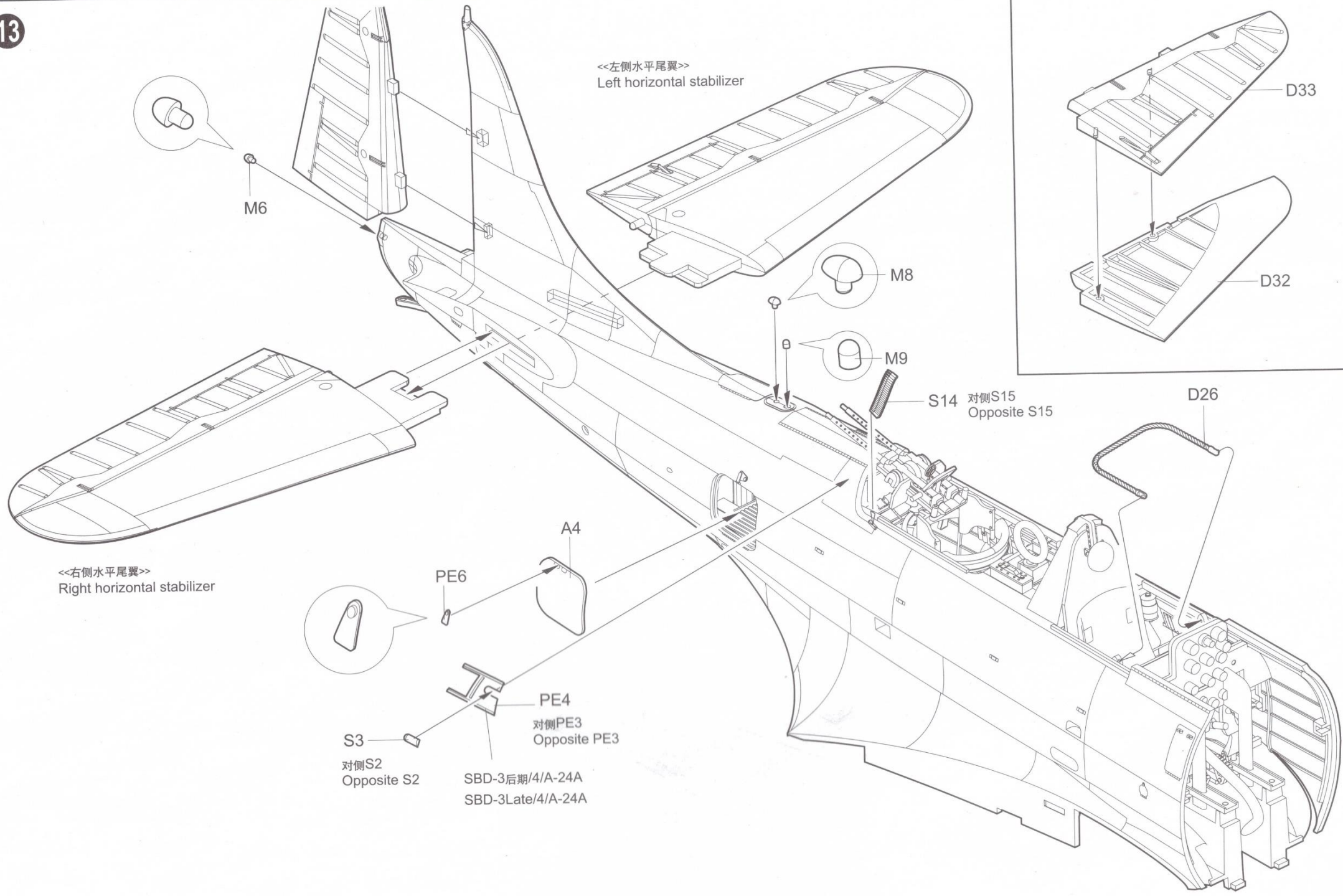
<<左侧水平尾翼>>
Left horizontal stabilizer



12

<<右侧水平尾翼>>
Right horizontal stabilizer





14

H 8 8

银色
Silver

<<右侧主起落架>>
Right main undercarriage

H 338 338

浅灰色
Light gray

D24

H 12 33

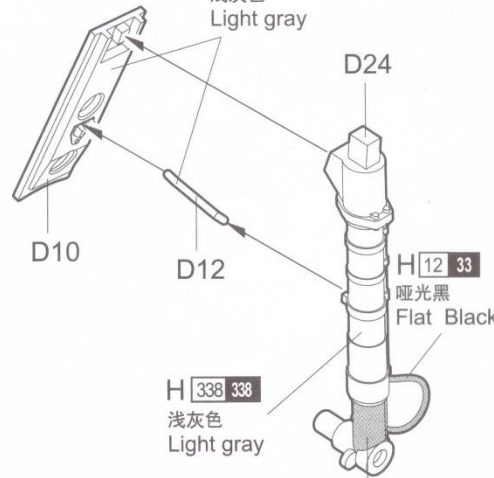
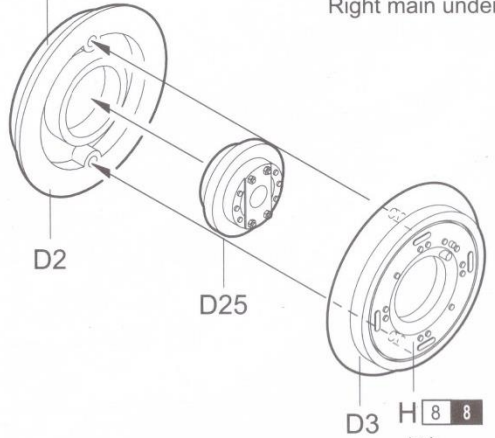
哑光黑
Flat Black

H 338 338

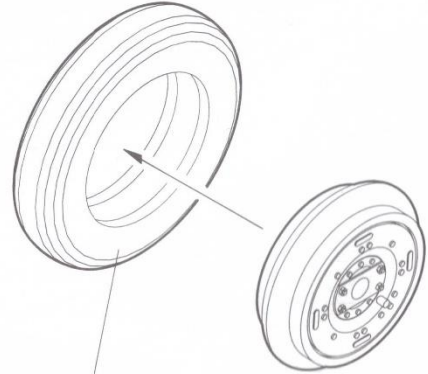
浅灰色
Light gray

H 8 8

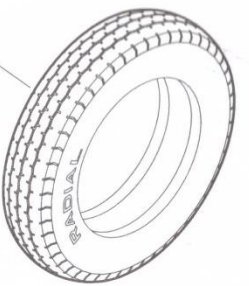
银色
Silver



SBD-3/4 <<主轮胎>>
Main tyre



? 选择
Option

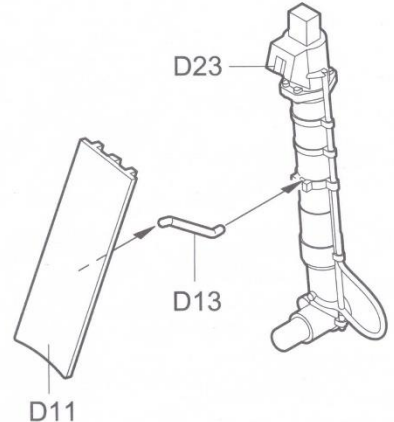
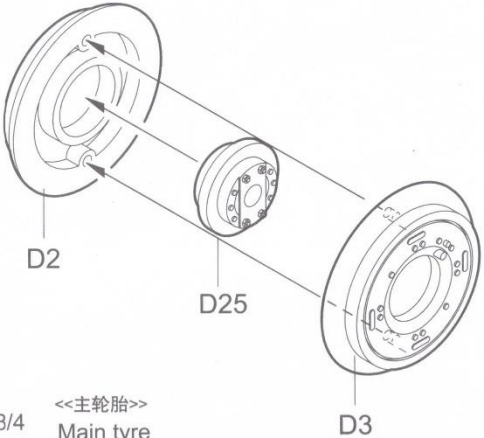


A-24A <<主轮胎>>
Main tyre

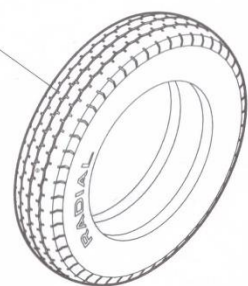
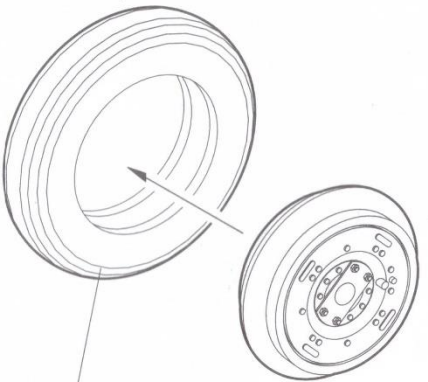
15

<<左侧主起落架>>
Left main undercarriage

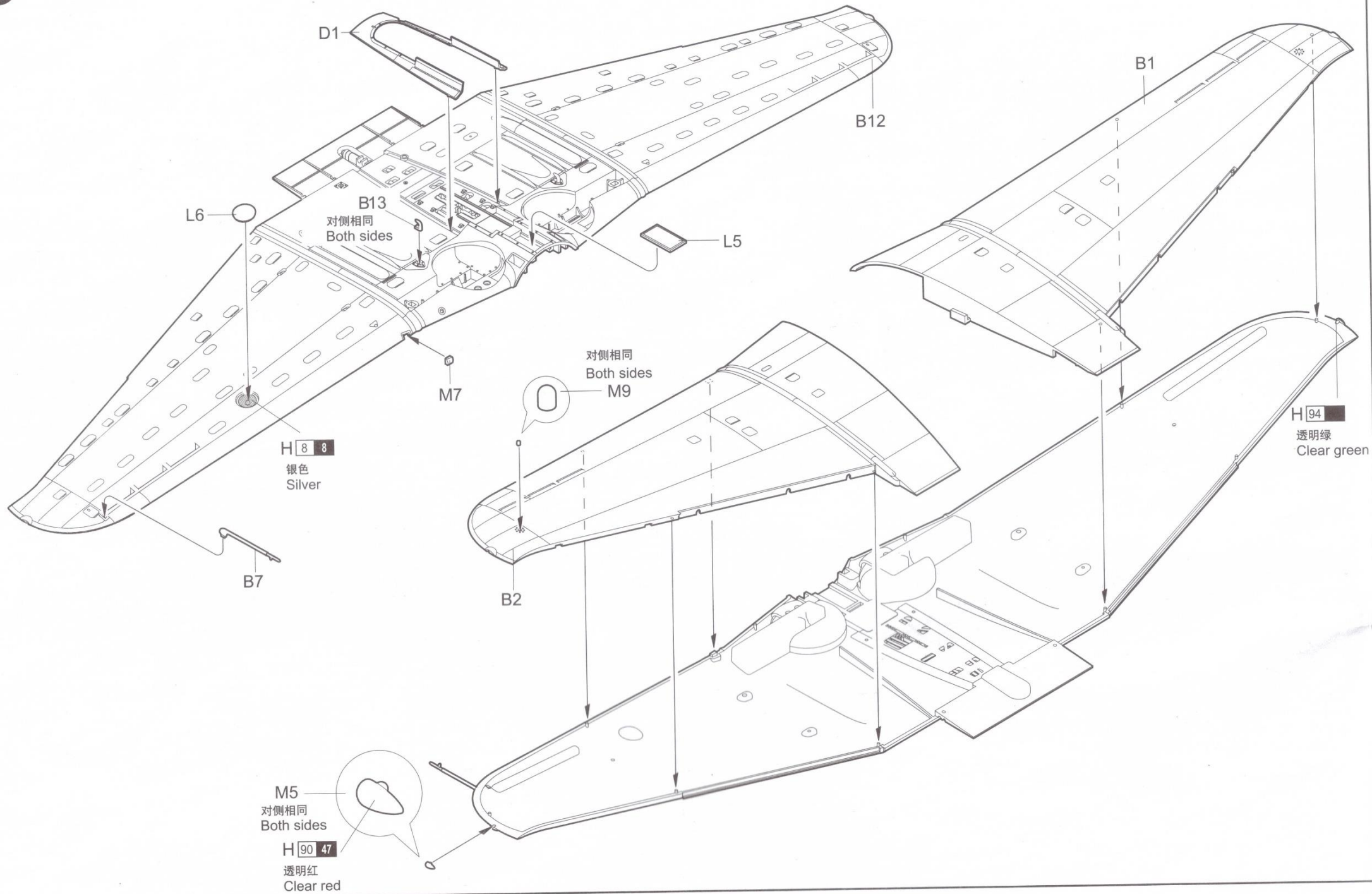
SBD-3/4 <<主轮胎>>
Main tyre

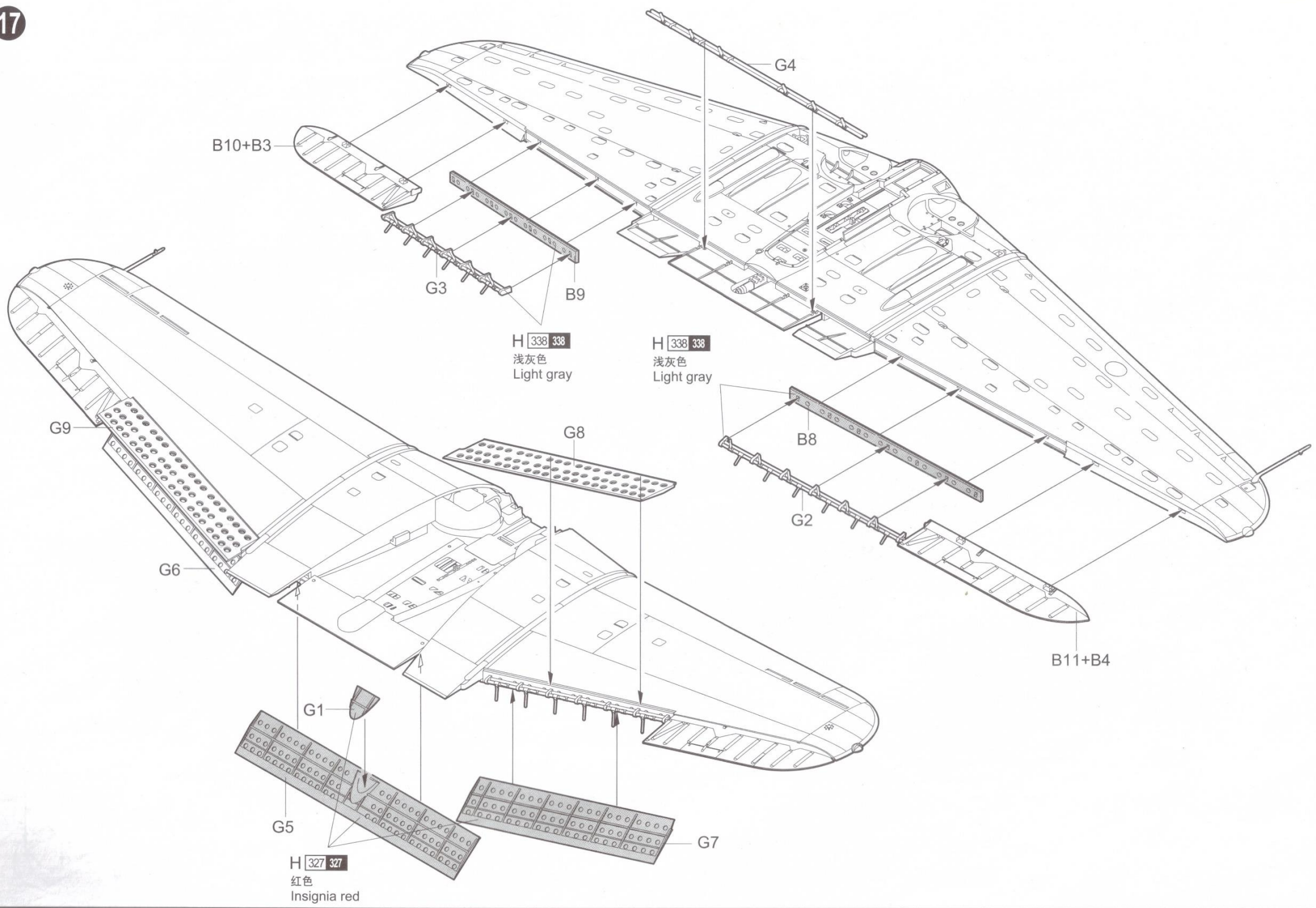


? 选择
Option



A-24A <<主轮胎>>
Main tyre





B10+B3

G4

G3

B9

H 338 338
浅灰色
Light gray

H 338 338
浅灰色
Light gray

G9

G8

B8

G2

B11+B4

G6

G1

G5

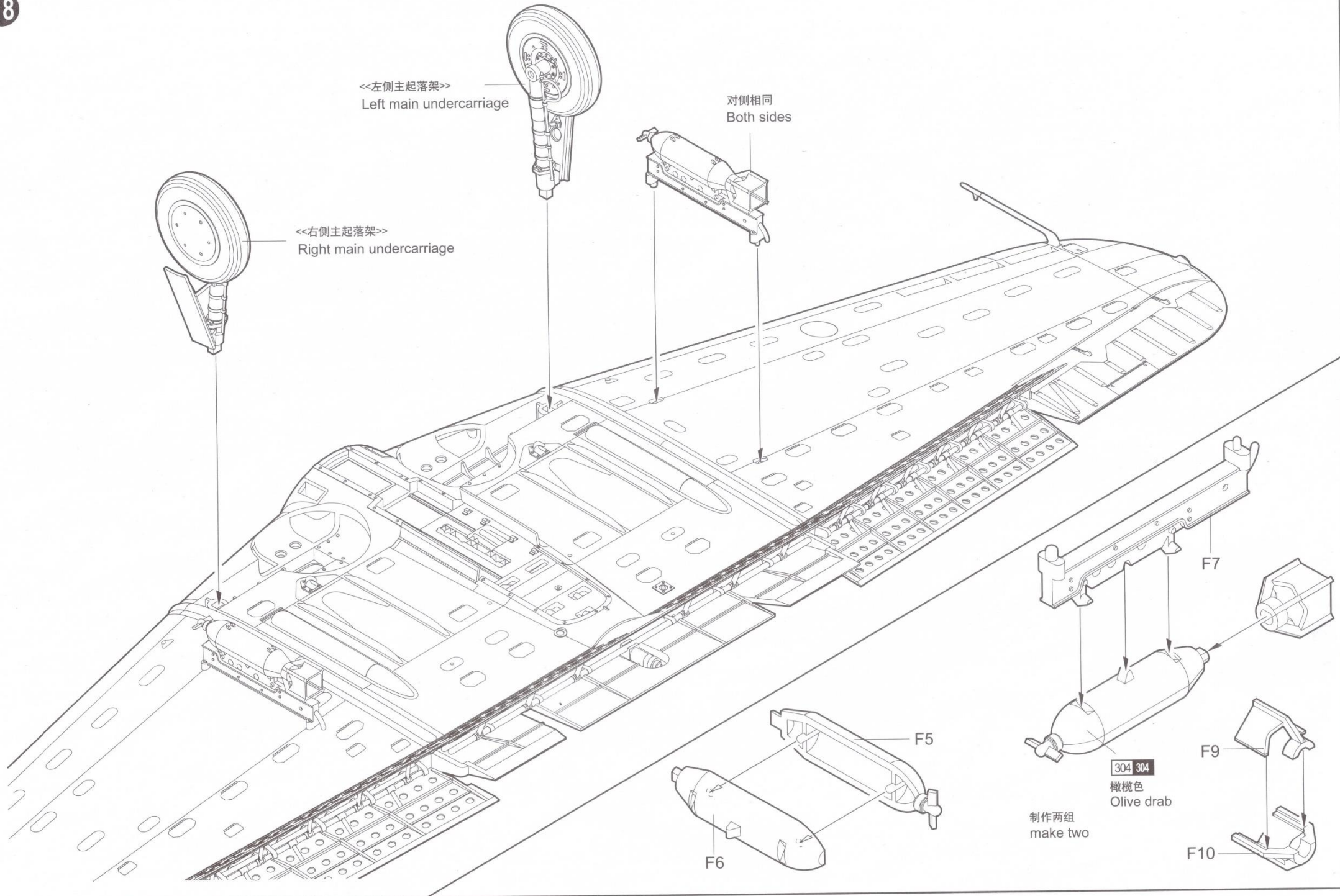
G7

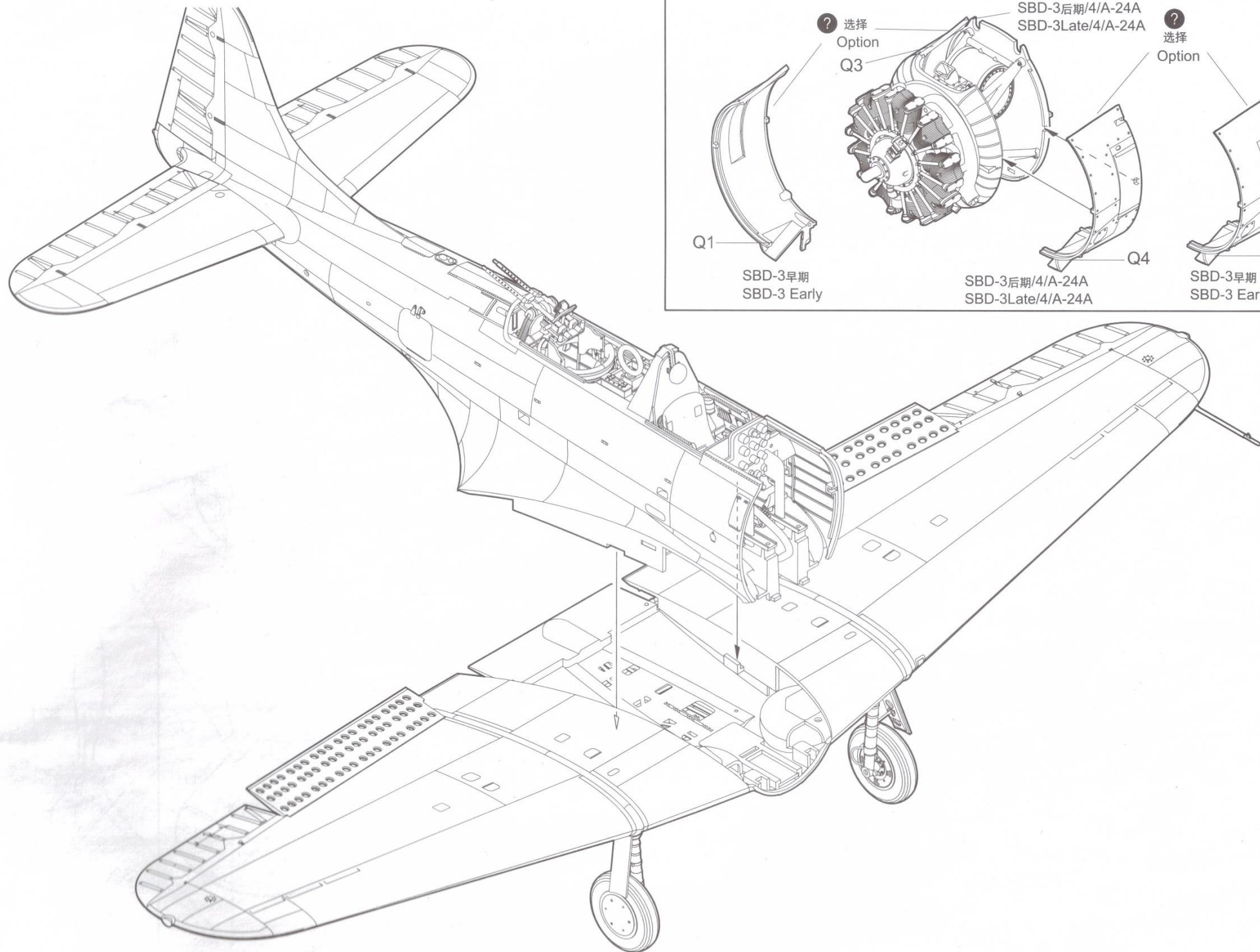
H 327 327
红色
Insignia red

<<左侧主起落架>>
Left main undercarriage

对侧相同
Both sides

<<右侧主起落架>>
Right main undercarriage





Q1
SBD-3早期
SBD-3 Early

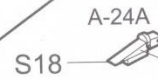
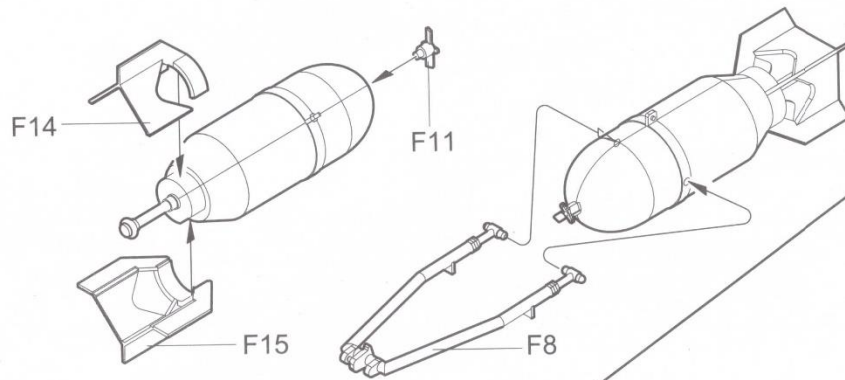
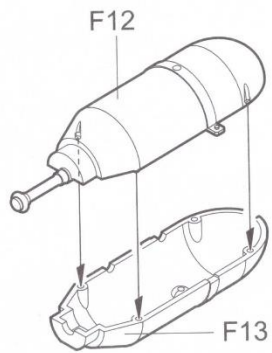
SBD-3后期/4/A-24A
SBD-3Late/4/A-24A

Q2
SBD-3早期
SBD-3 Early

? 选择 Option
Q3

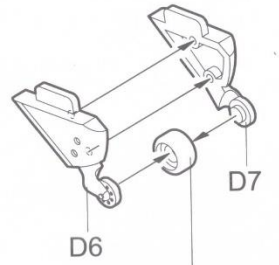
? 选择 Option

SBD-3后期/4/A-24A
SBD-3Late/4/A-24A



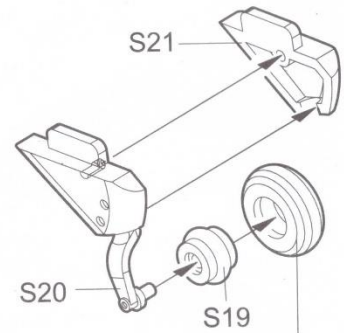
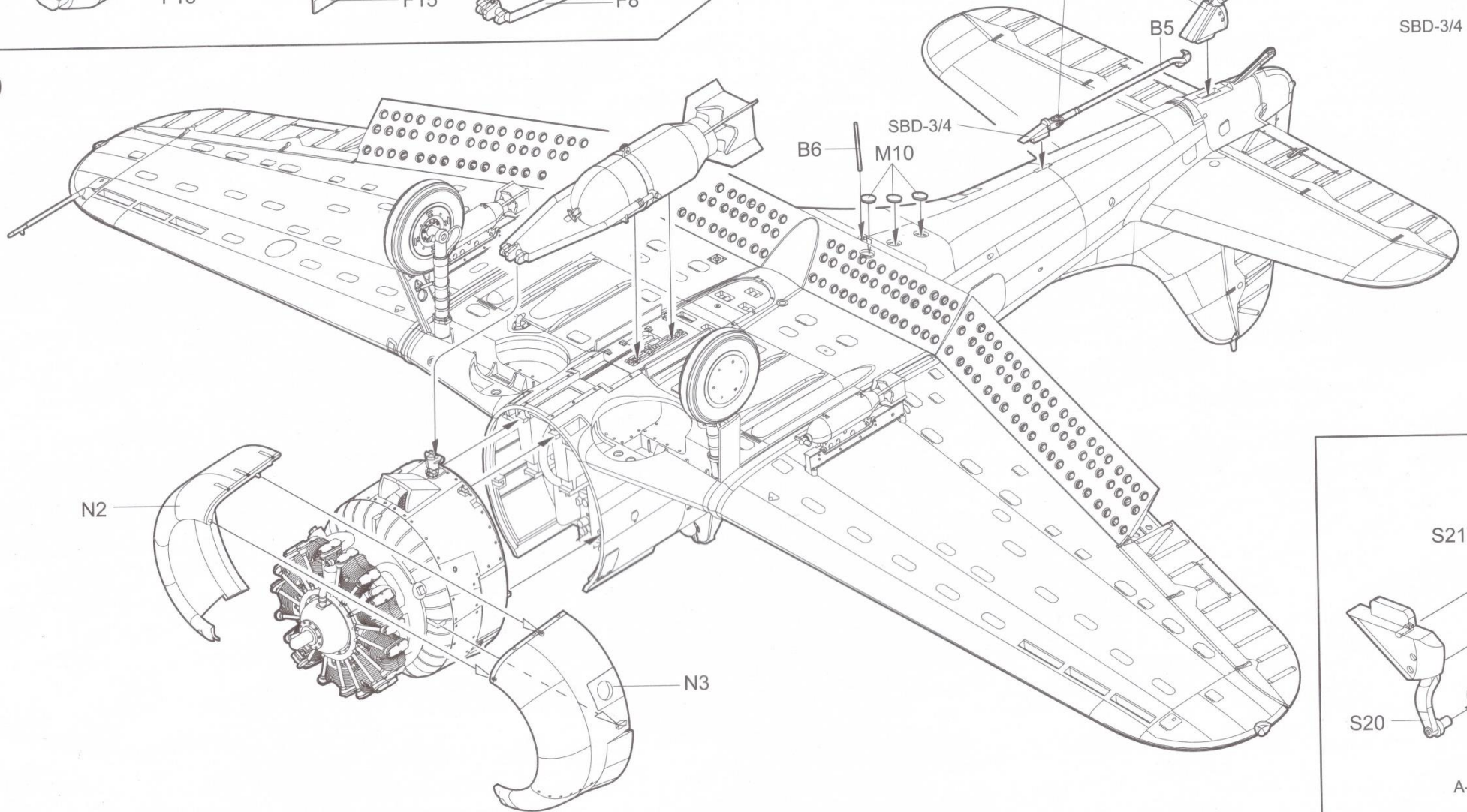
选择 Option

选择 Option

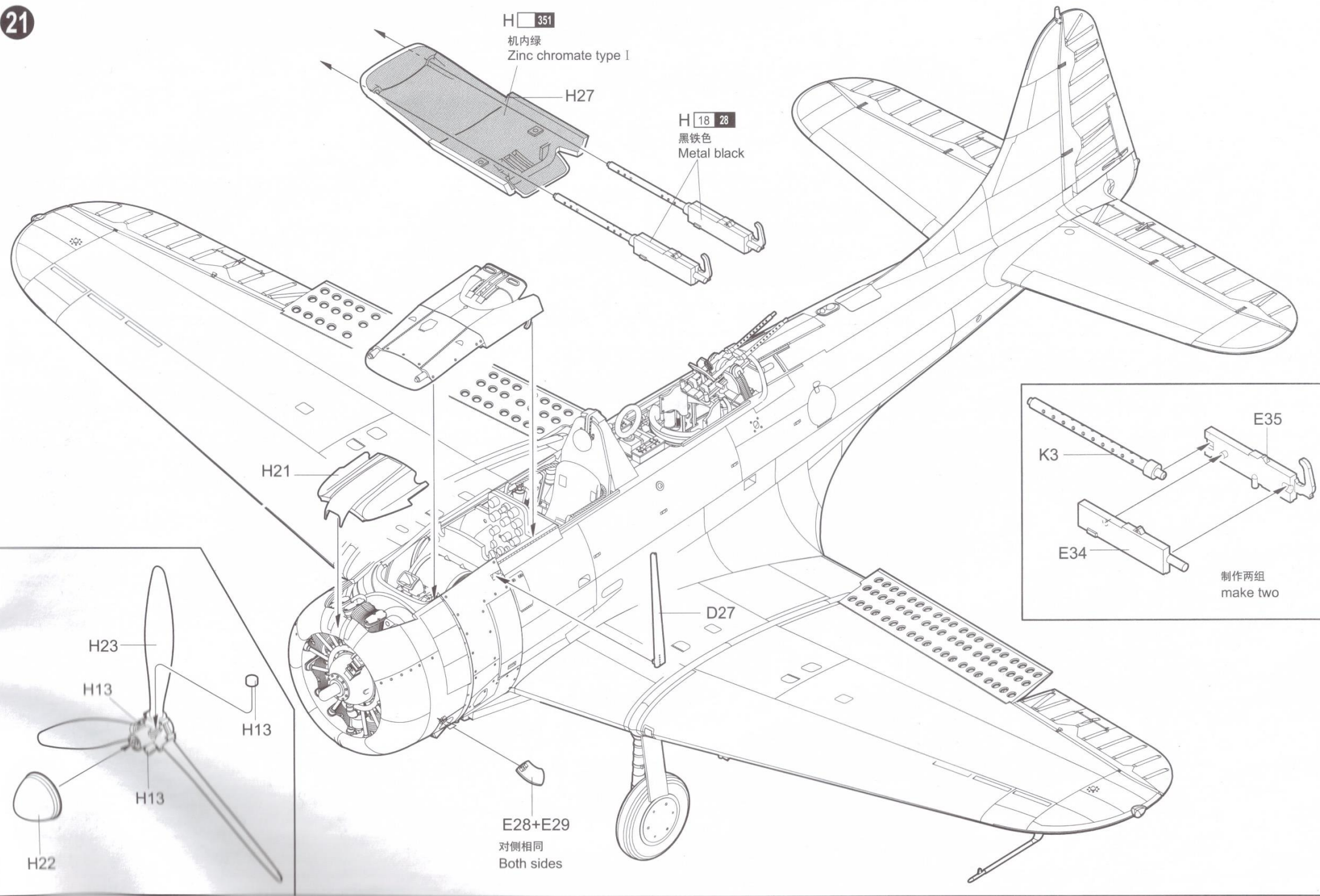


SBD-3/4 <<尾轮胎>>
Tail tyre

20



A-24A <<尾轮胎>>
Tail tyre



H 351

机内绿
Zinc chromate type I

H27

H 18 28

黑铁色
Metal black

H21

D27

E28+E29

对侧相同
Both sides

H23

H13

H13

H13

H22

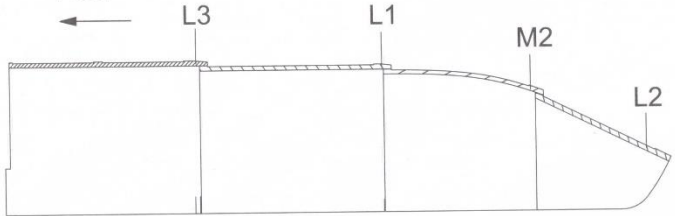
E35

K3

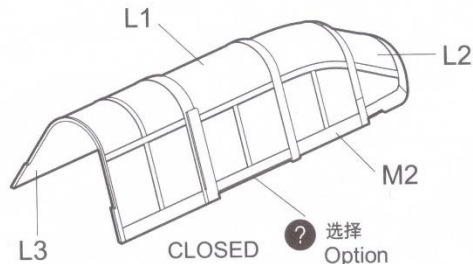
E34

制作两组
make two

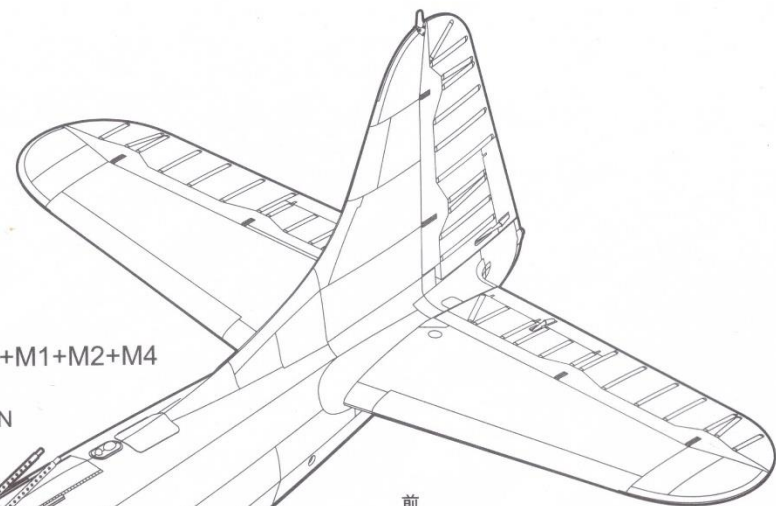
前
Front



机窗关闭时的状态
CLOSED



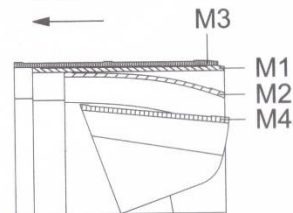
选择
Option



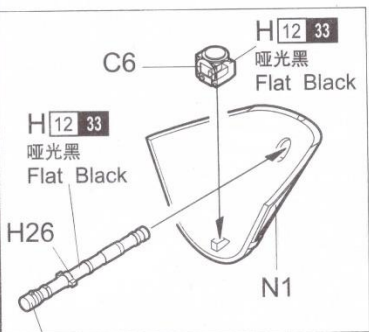
M3+M1+M2+M4

OPEN

前
Front



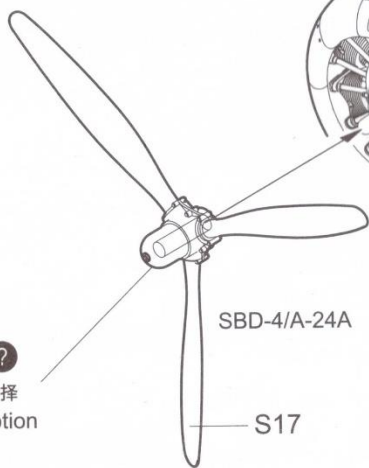
机窗开启时的状态
OPEN



H14 59
橙色
Orange



SBD-3



SBD-4/A-24A

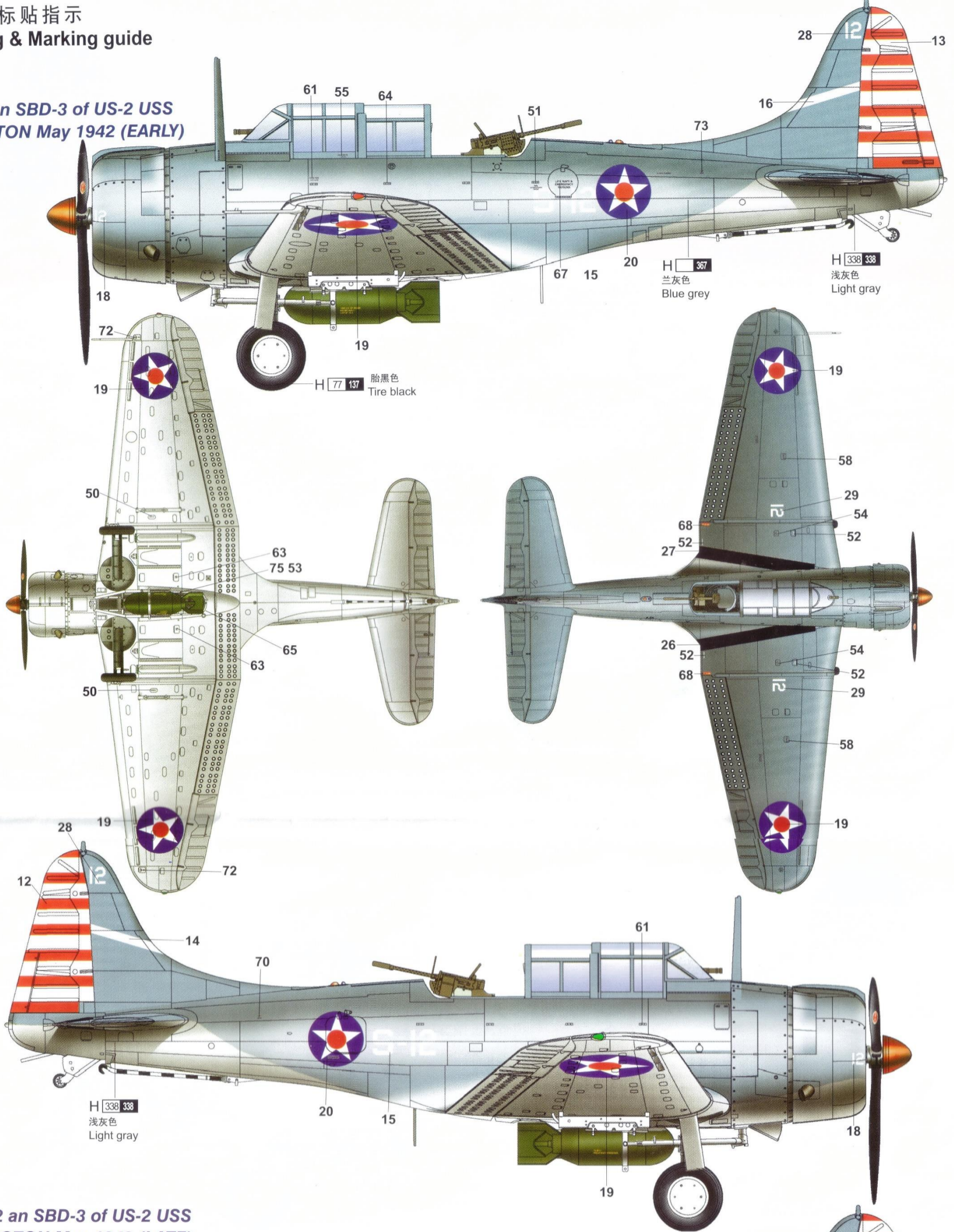
S17

选择
Option

涂装同标贴指示
Painting & Marking guide

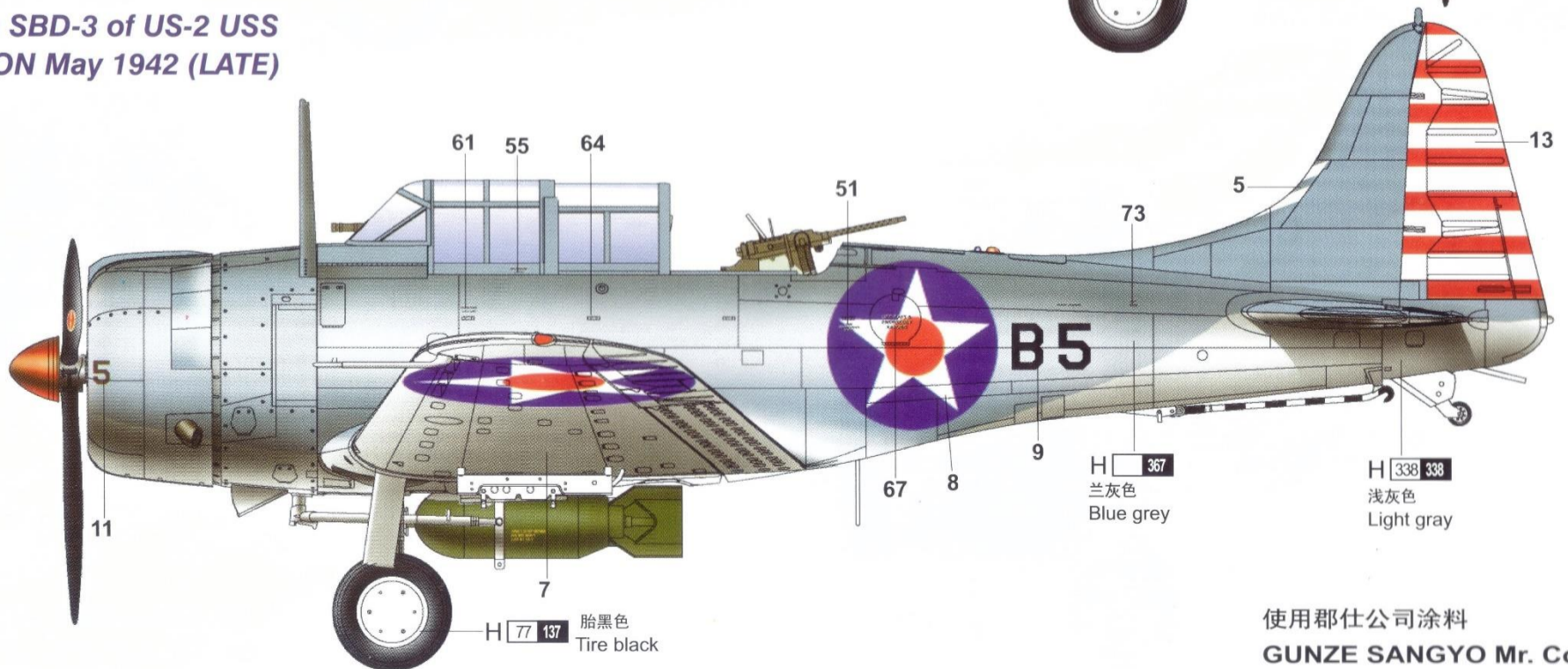
A

2-S-12 an SBD-3 of US-2 USS
LEXINGTON May 1942 (EARLY)



B

2-S-12 an SBD-3 of US-2 USS
LEXINGTON May 1942 (LATE)

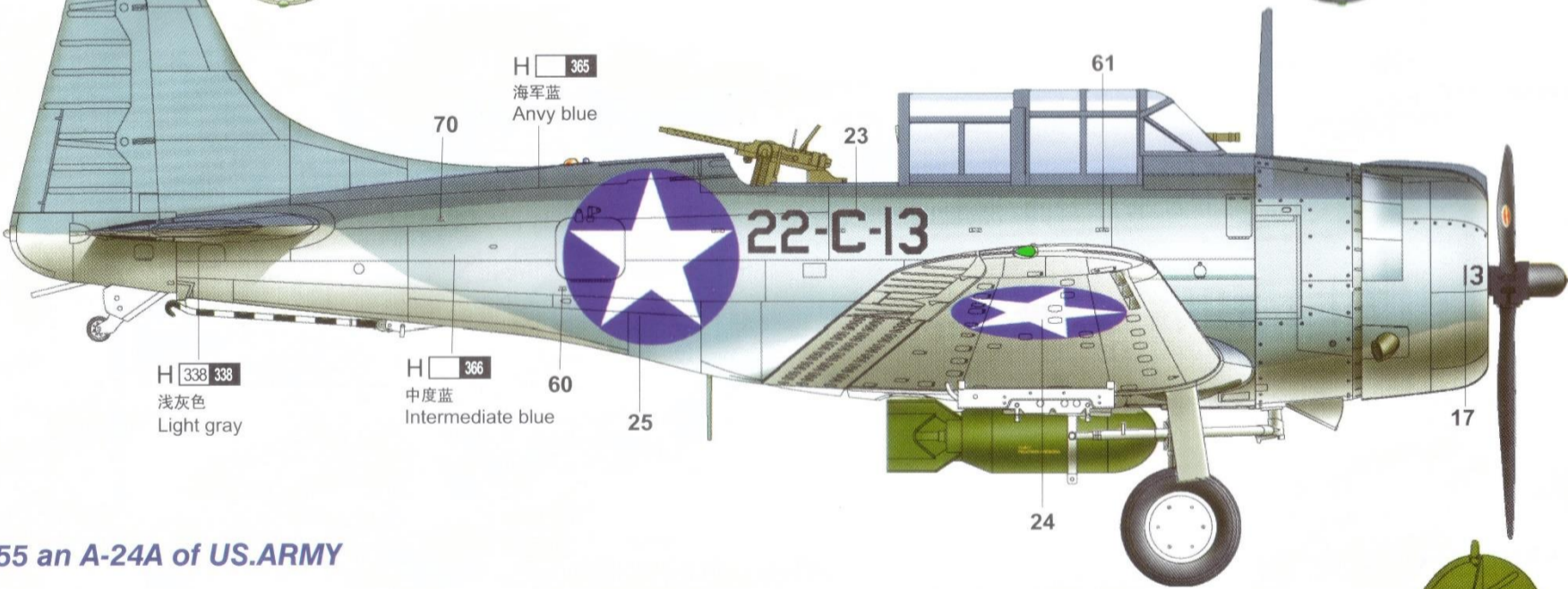
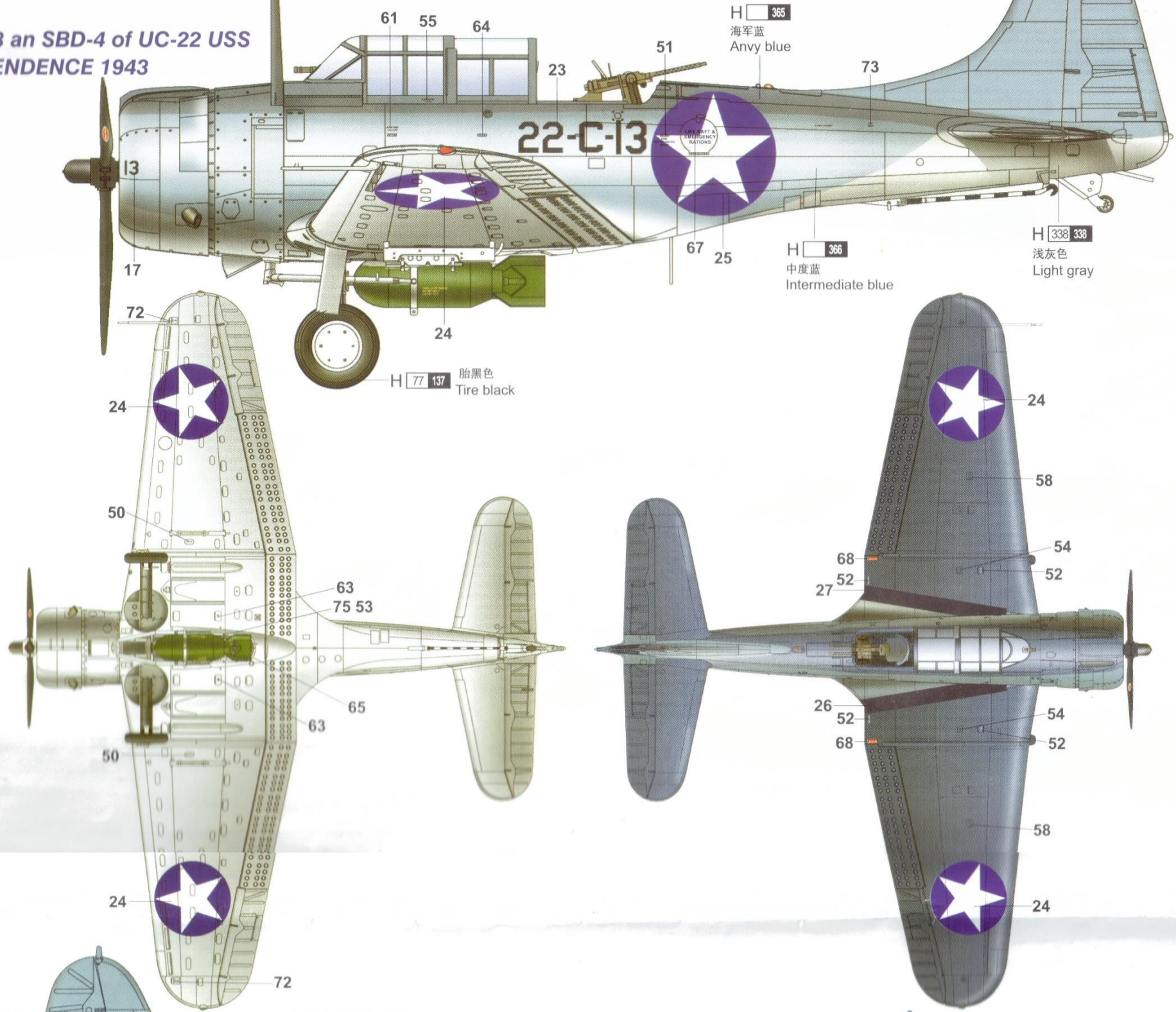


使用郡仕公司涂料
GUNZE SANGYO Mr. Color used

涂装同标贴指示
Painting & Marking guide

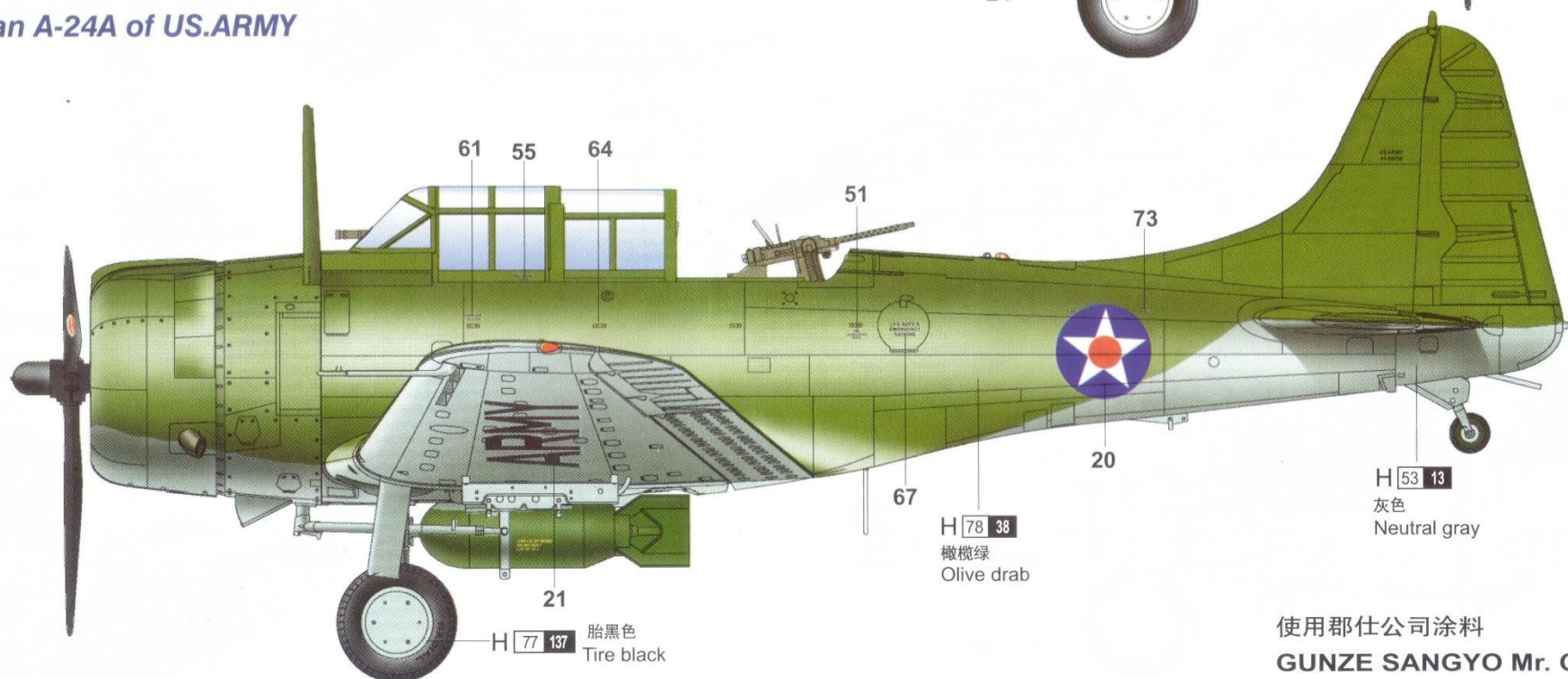
C

22-C-13 an SBD-4 of UC-22 USS
INDEPENDENCE 1943



D

41-15755 an A-24A of US.ARMY



使用郡仕公司涂料
GUNZE SANGYO Mr. Color used