



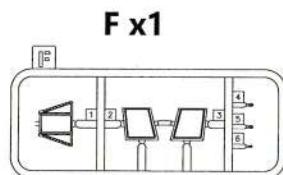
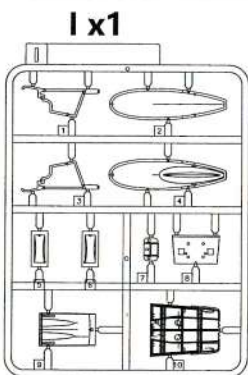
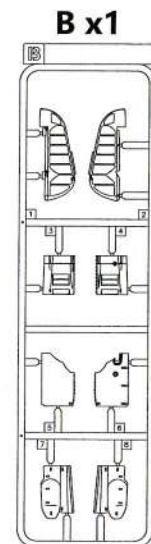
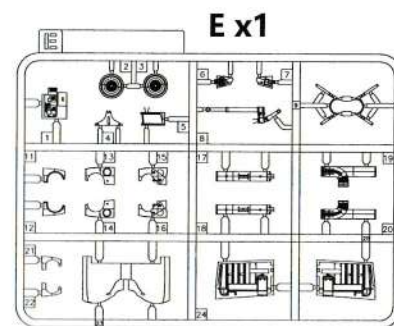
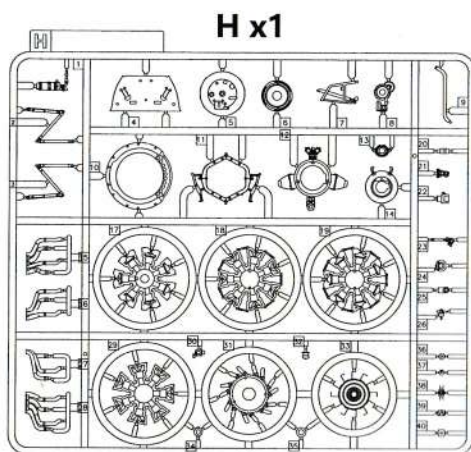
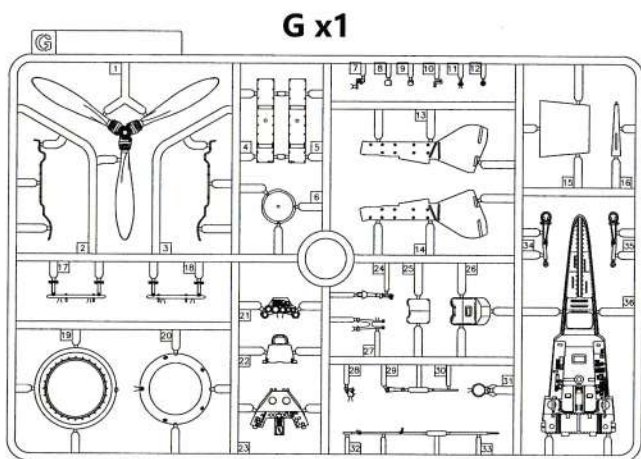
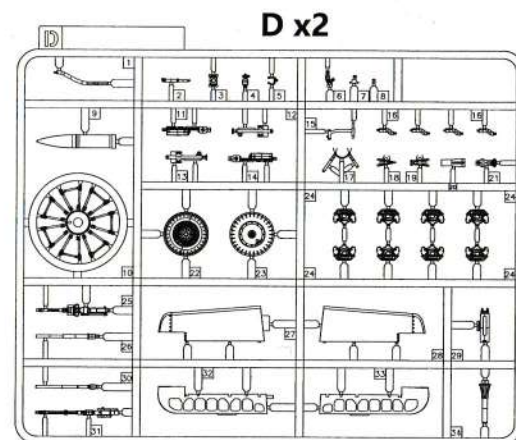
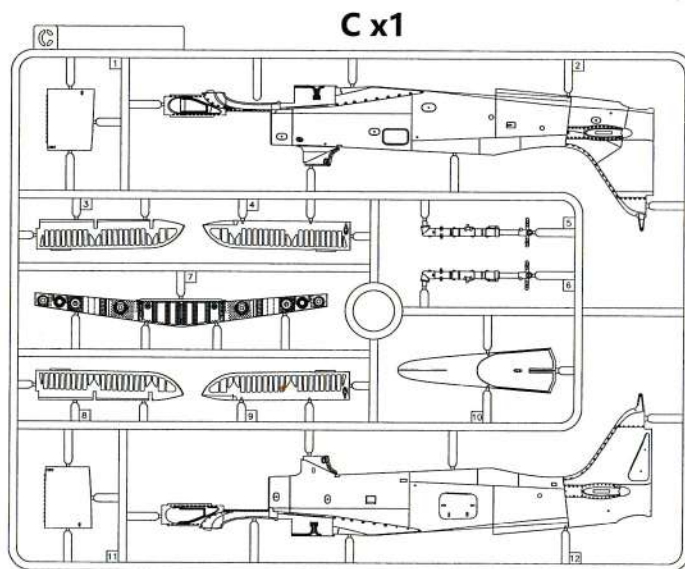
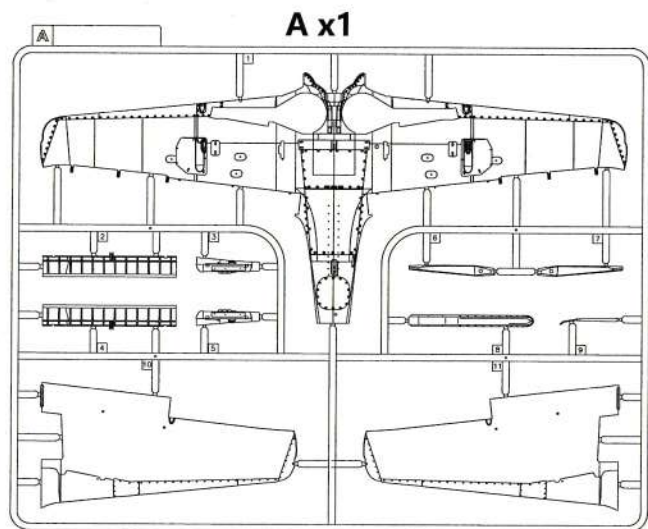
Border

# FOCKE-WULF FW190A-8 <sup>4 IN 1</sup> R2/R6/R7/R8

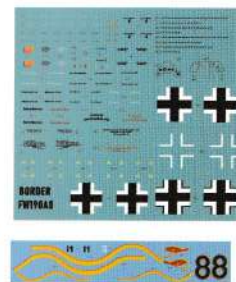
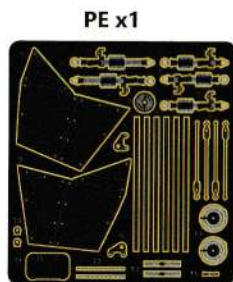
- ◆ INCLUDES ADDITIONAL PE ARMOR AND THICKENED GLASS FOR R7 AND R8 MODELS.
- ◆ INCLUDES ROCKET LAUNCHER FOR THE R6 MODEL.
- ◆ INCLUDES BRASS GUN BARREL FOR MK108.
- ◆ 4 SCHEMES OF CAMOUFLAGES.

● READY TO ASSEMBLE PRECISION MODEL KIT ● MODELING SKILLS HELPFUL ● 14 YEARS OF AGE ● MODEL MAY VARY FROM IMAGE ON BOX ● CEMENT AND PAINT NOT INCLUDED

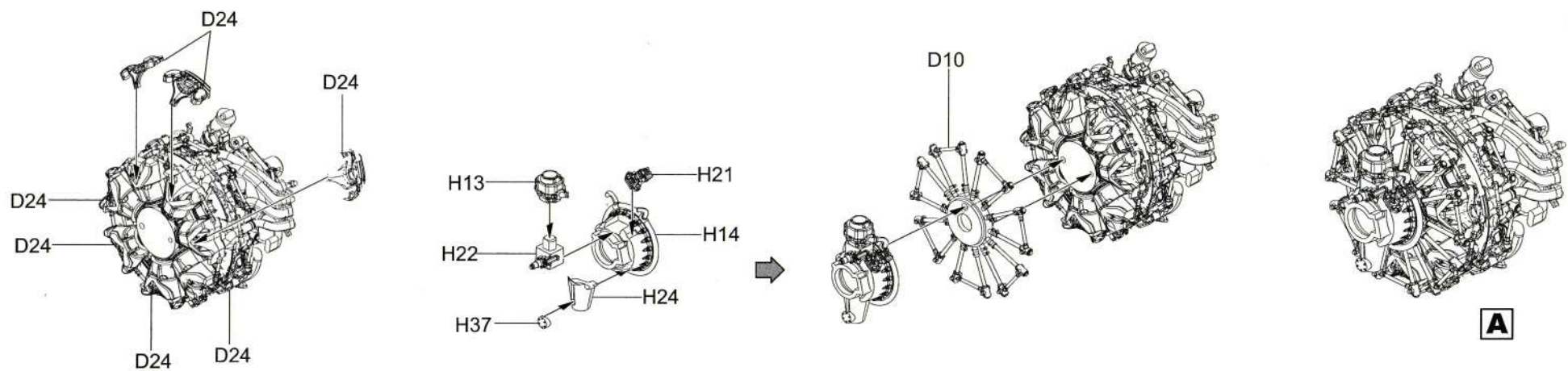
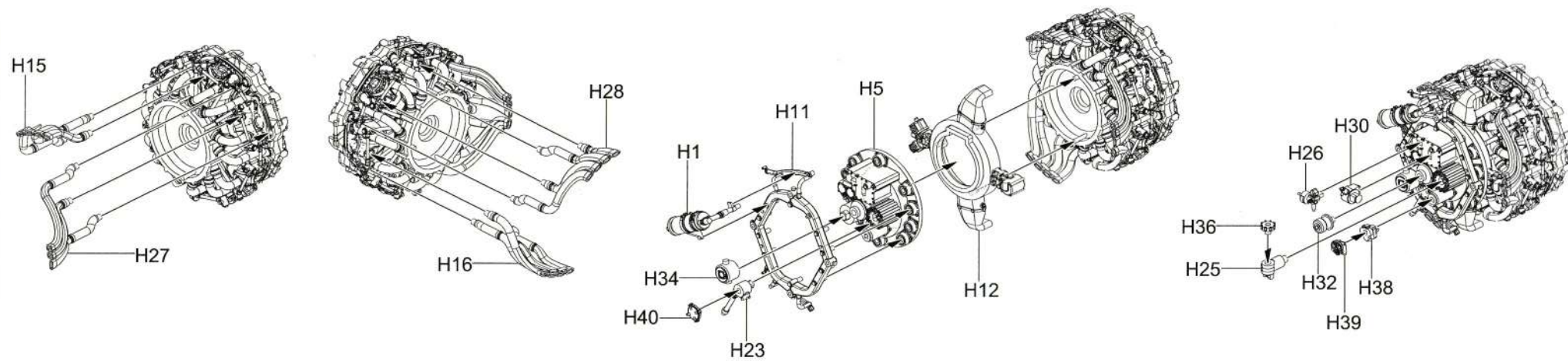
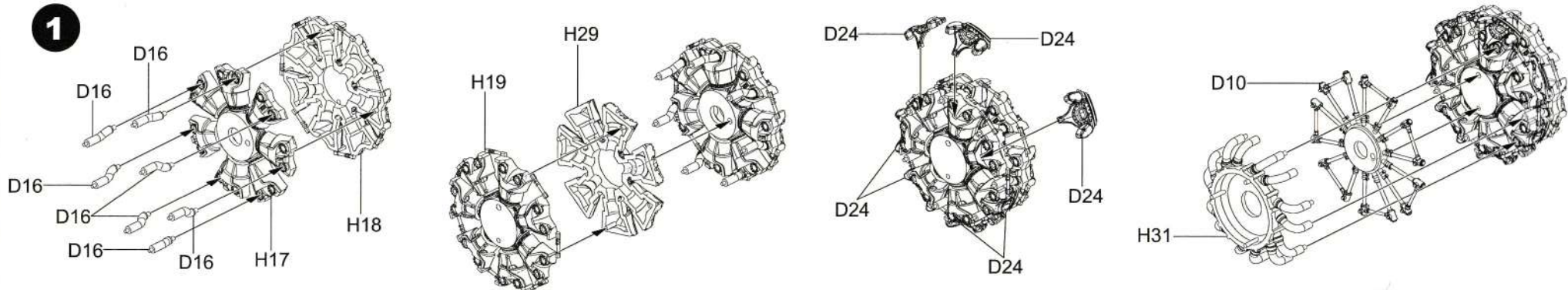




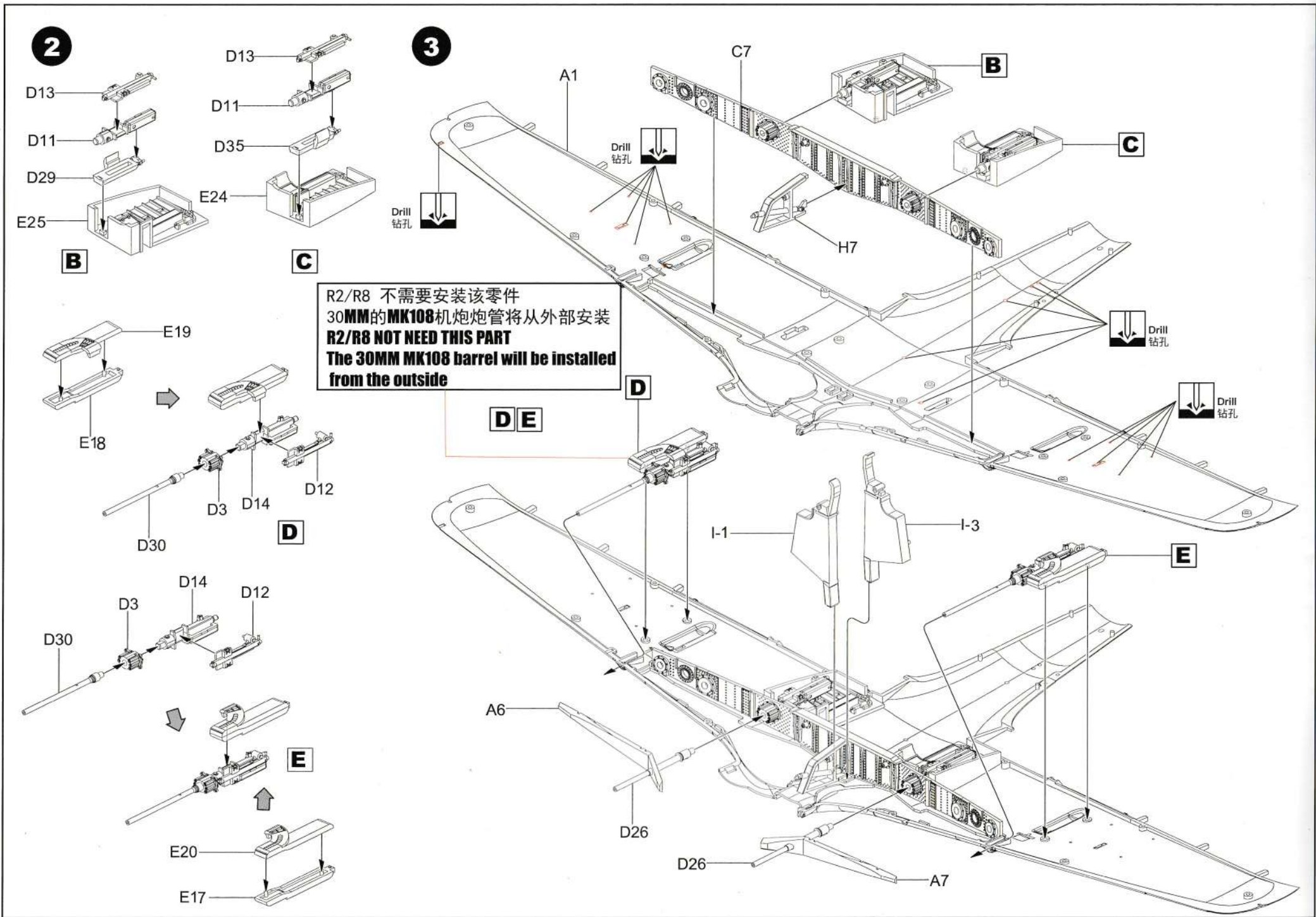
||  
||  
**METAL GUN**



1



A

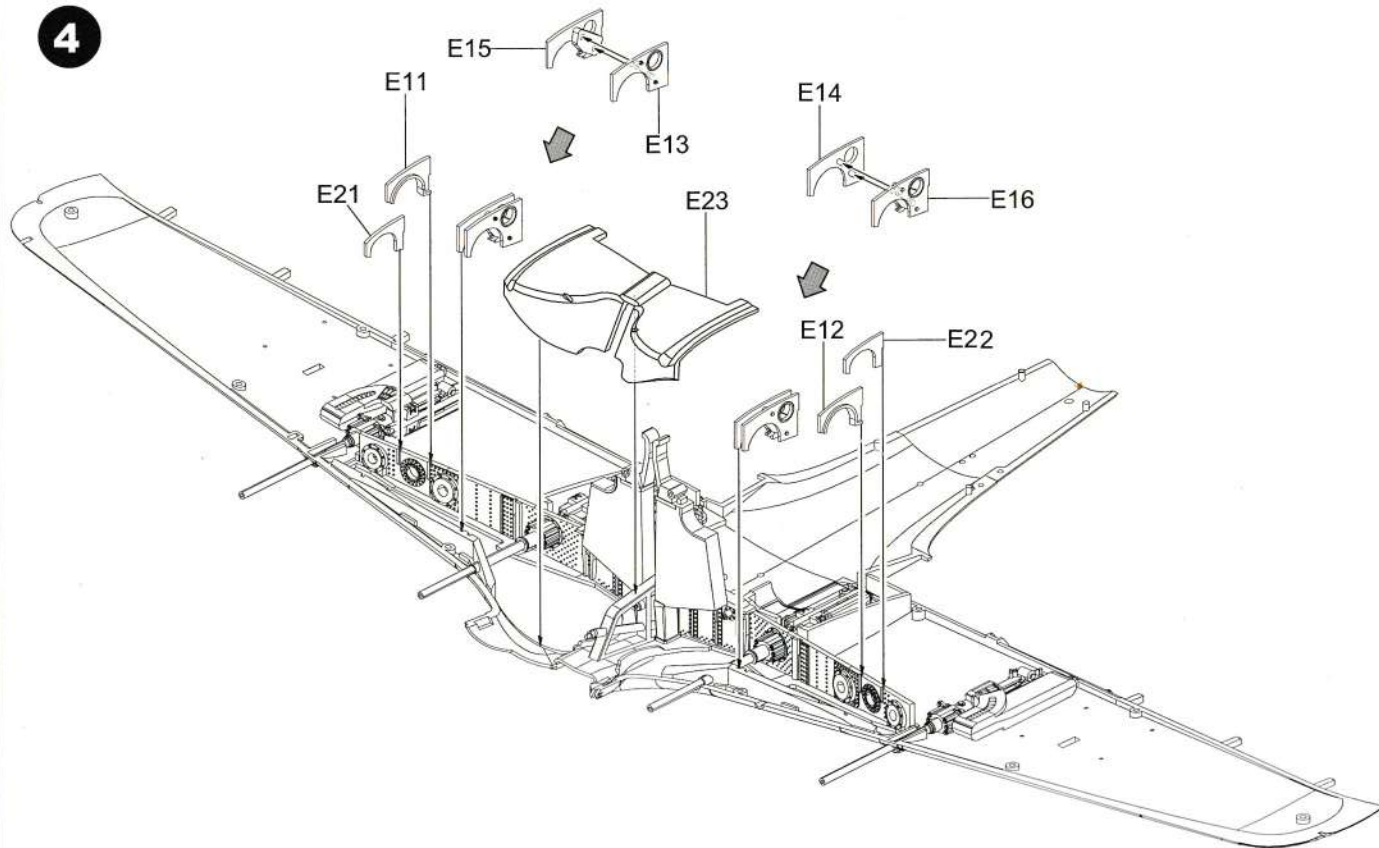


**2**

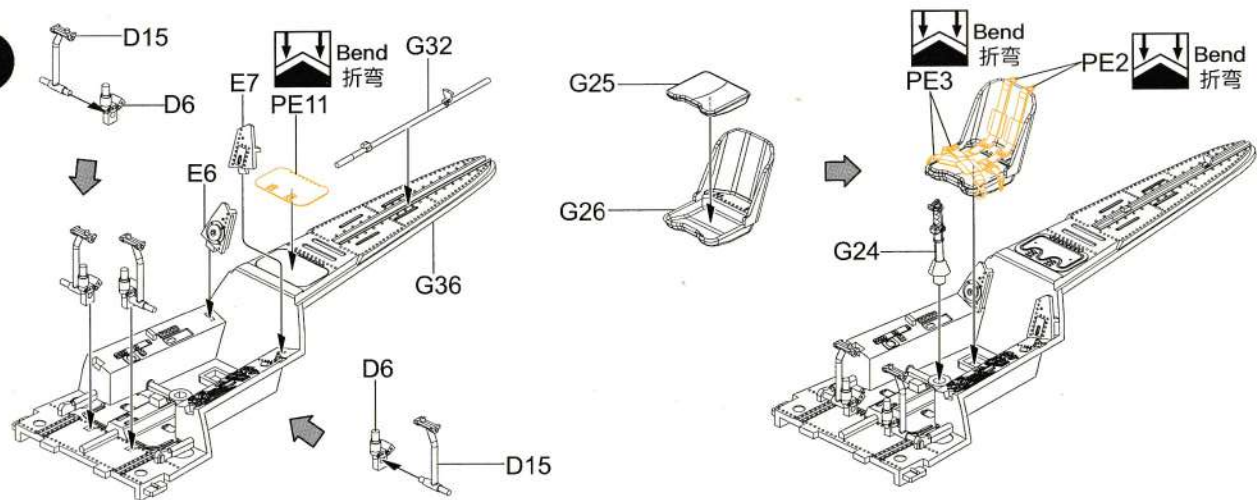
**3**

R2/R8 不需要安装该零件  
 30MM的MK108机炮炮管将从外部安装  
**R2/R8 NOT NEED THIS PART**  
**The 30MM MK108 barrel will be installed from the outside**

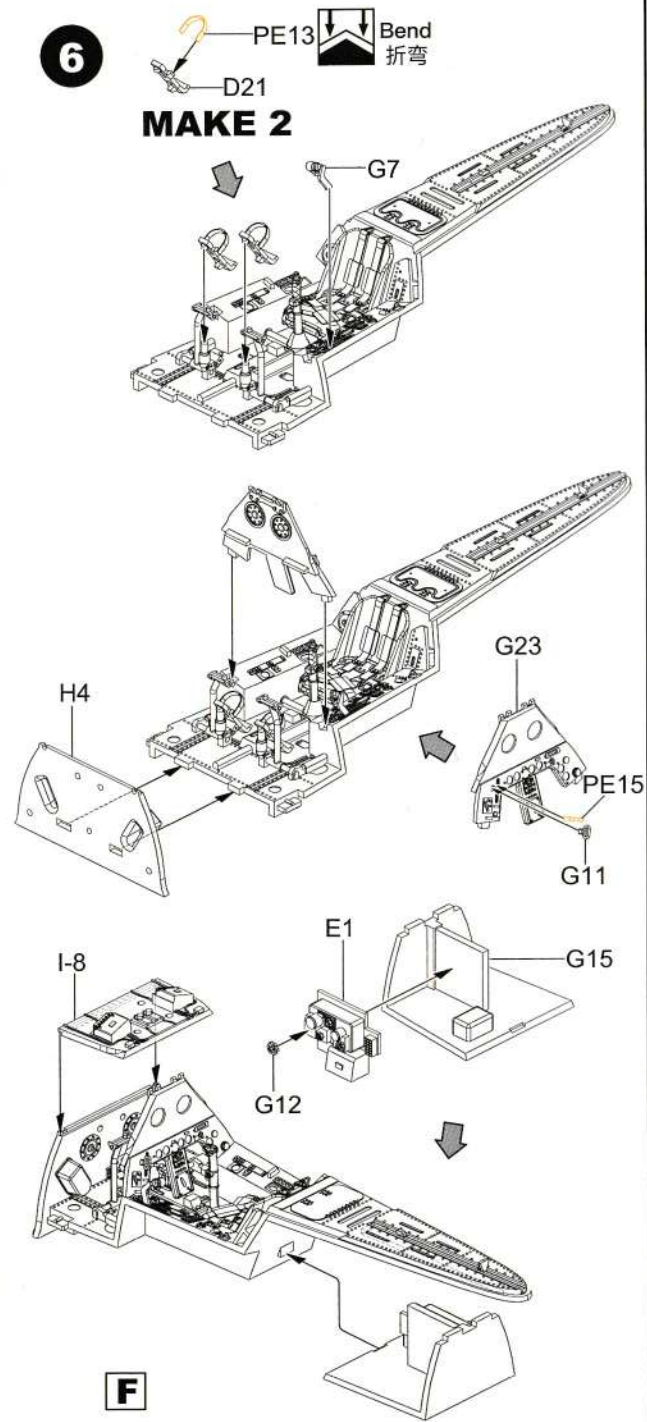
4



5

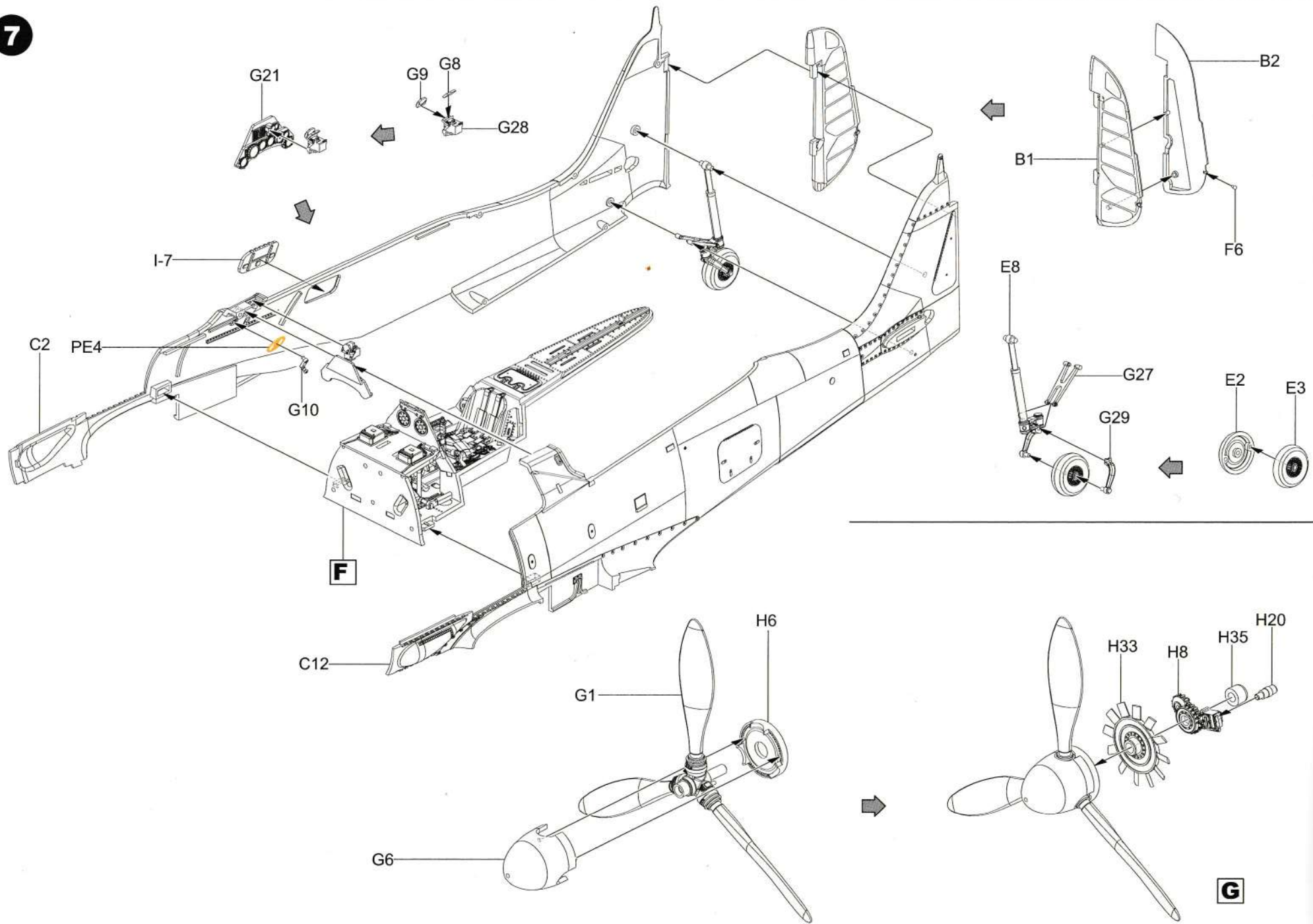


6

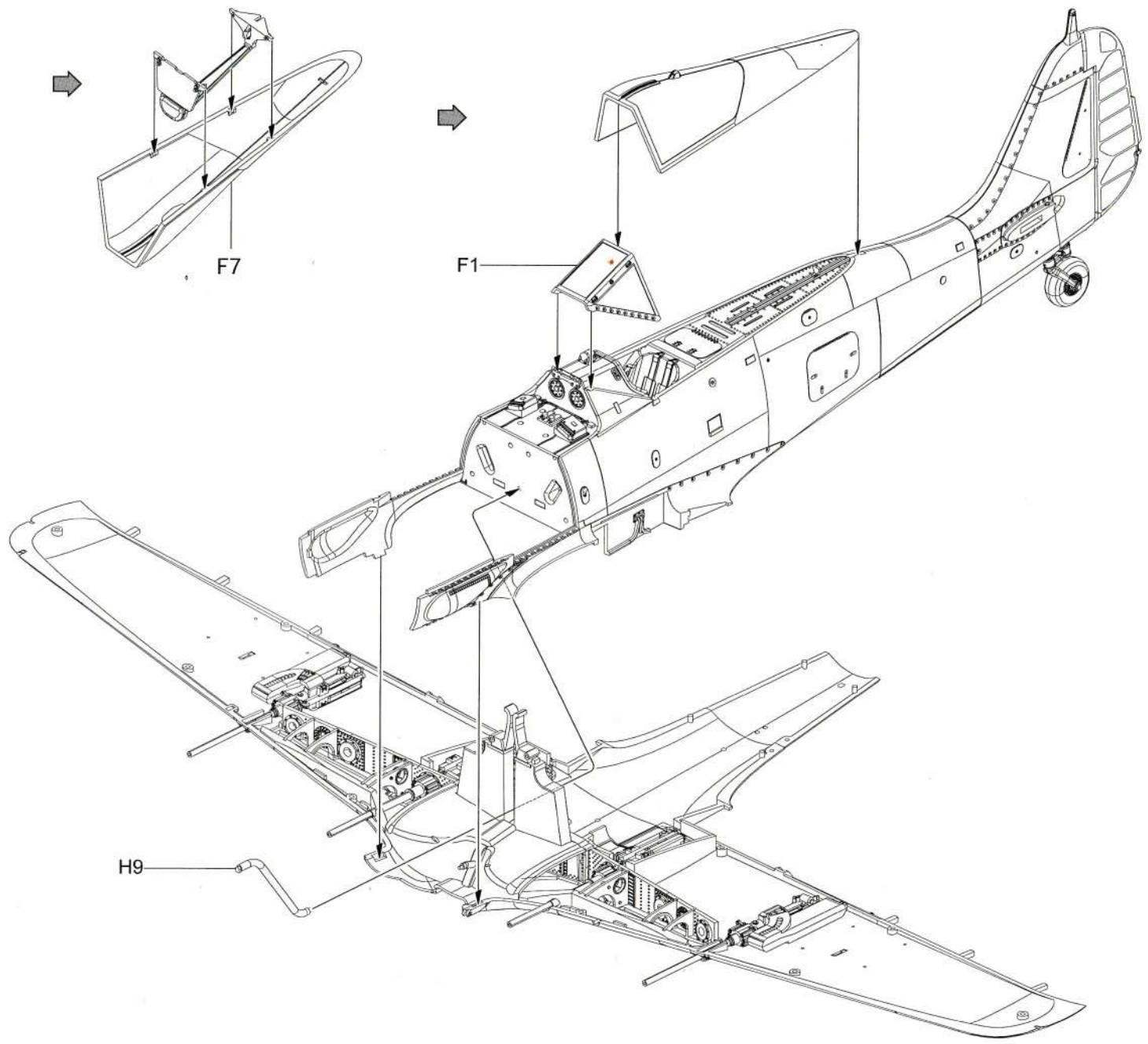
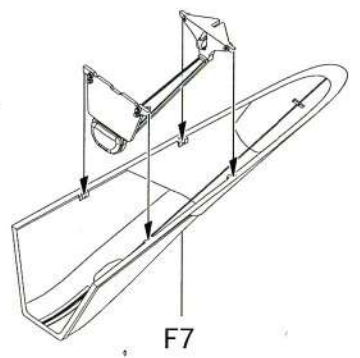
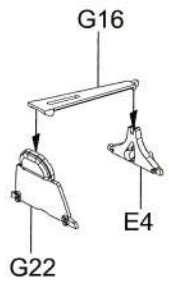


F

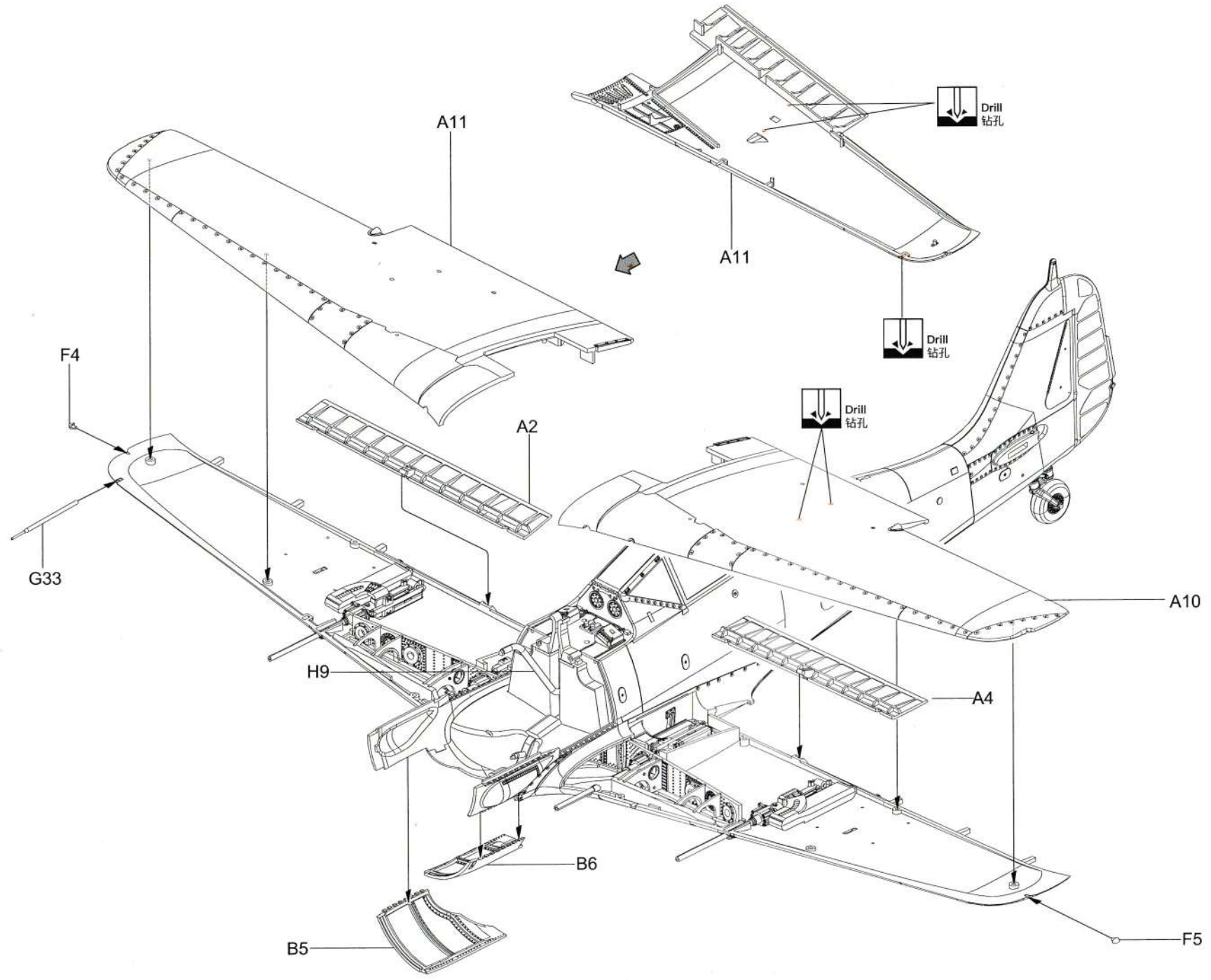
7



8

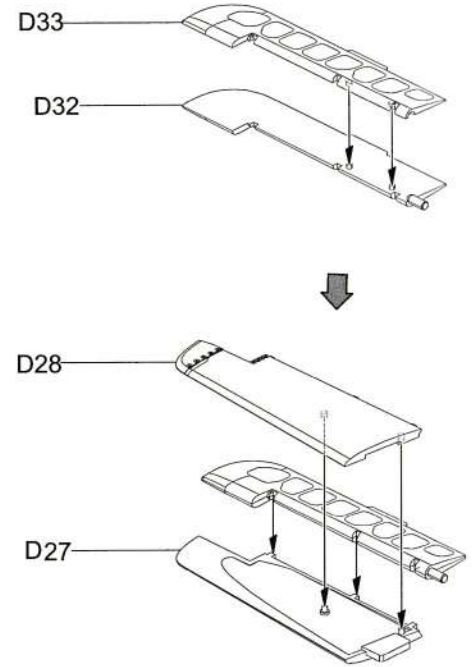
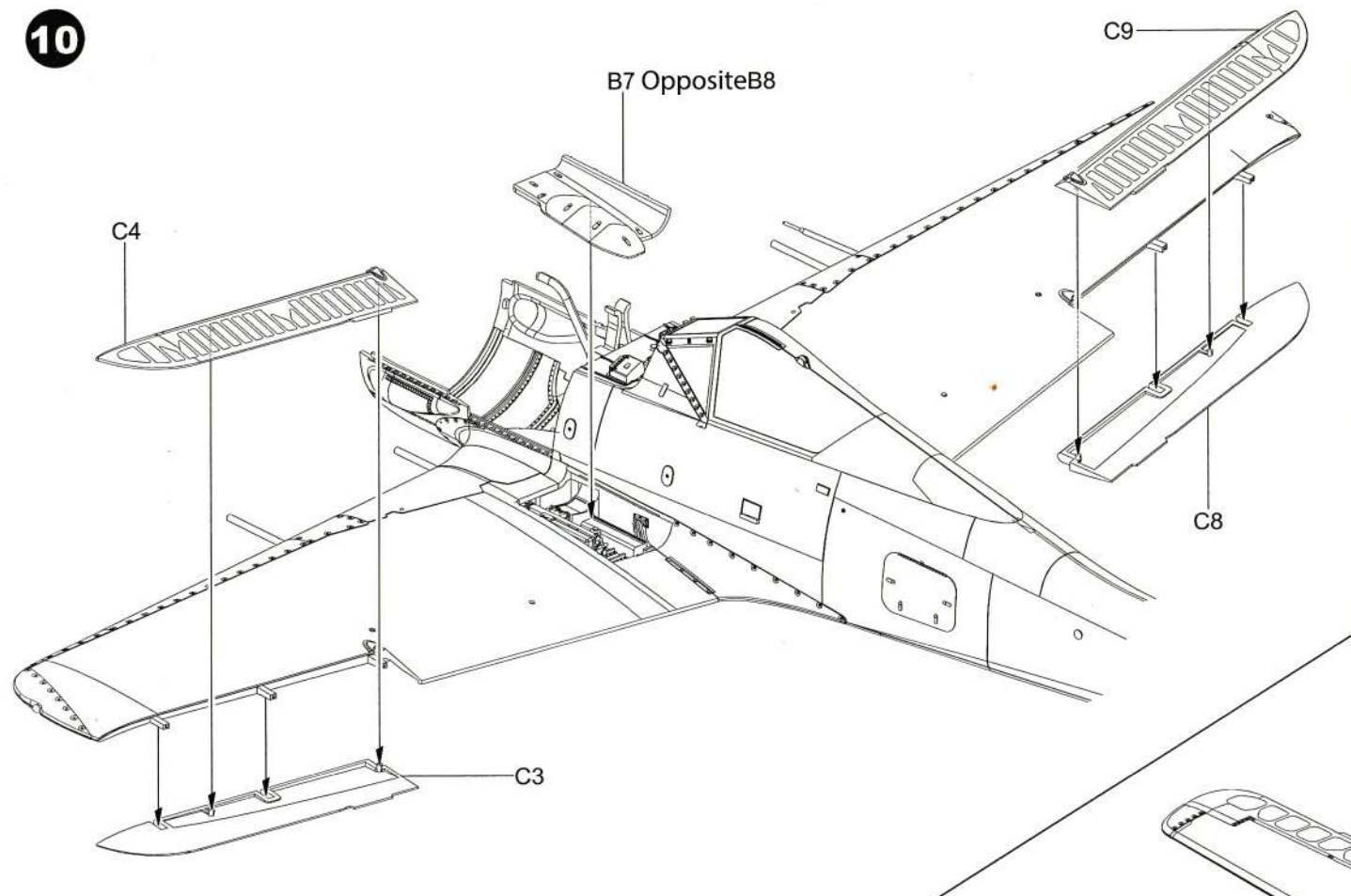


9

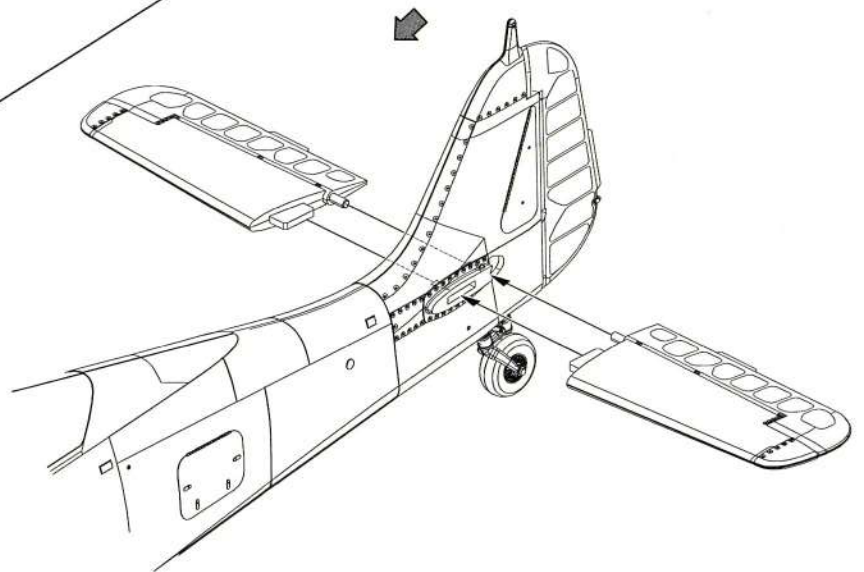
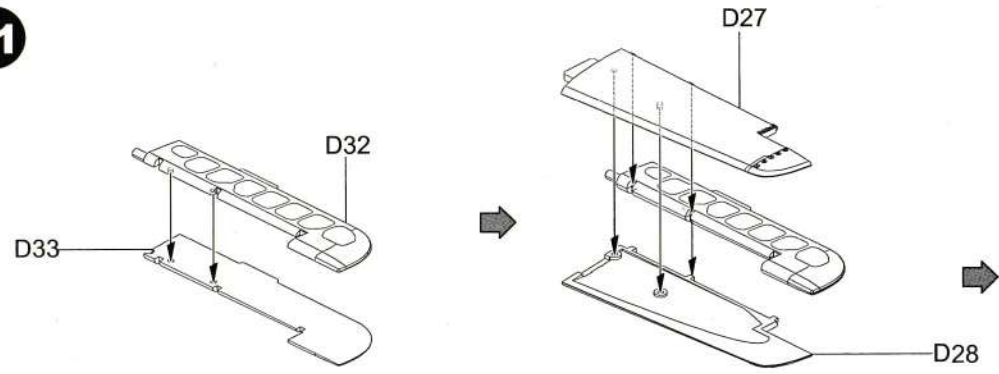




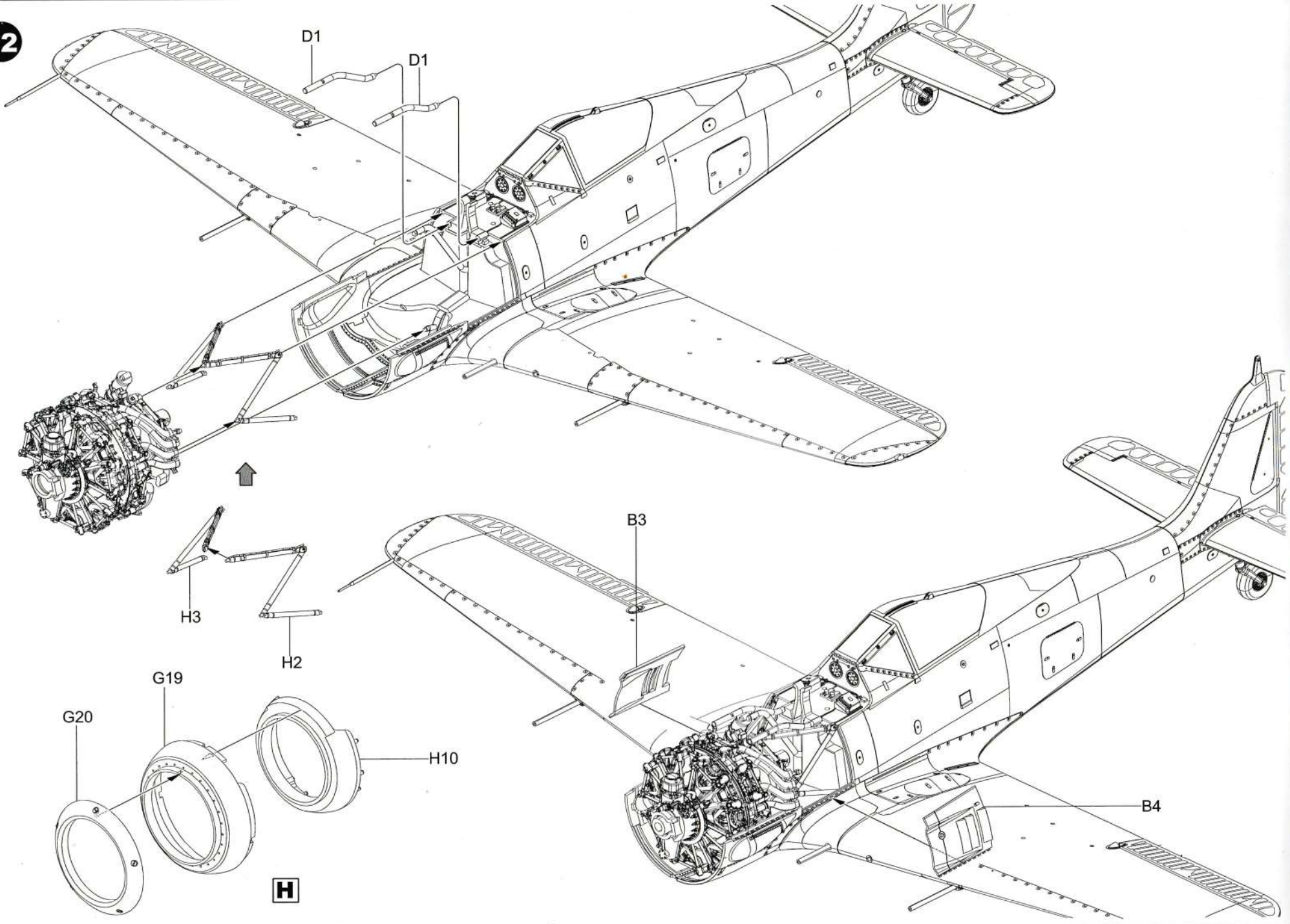
10



11

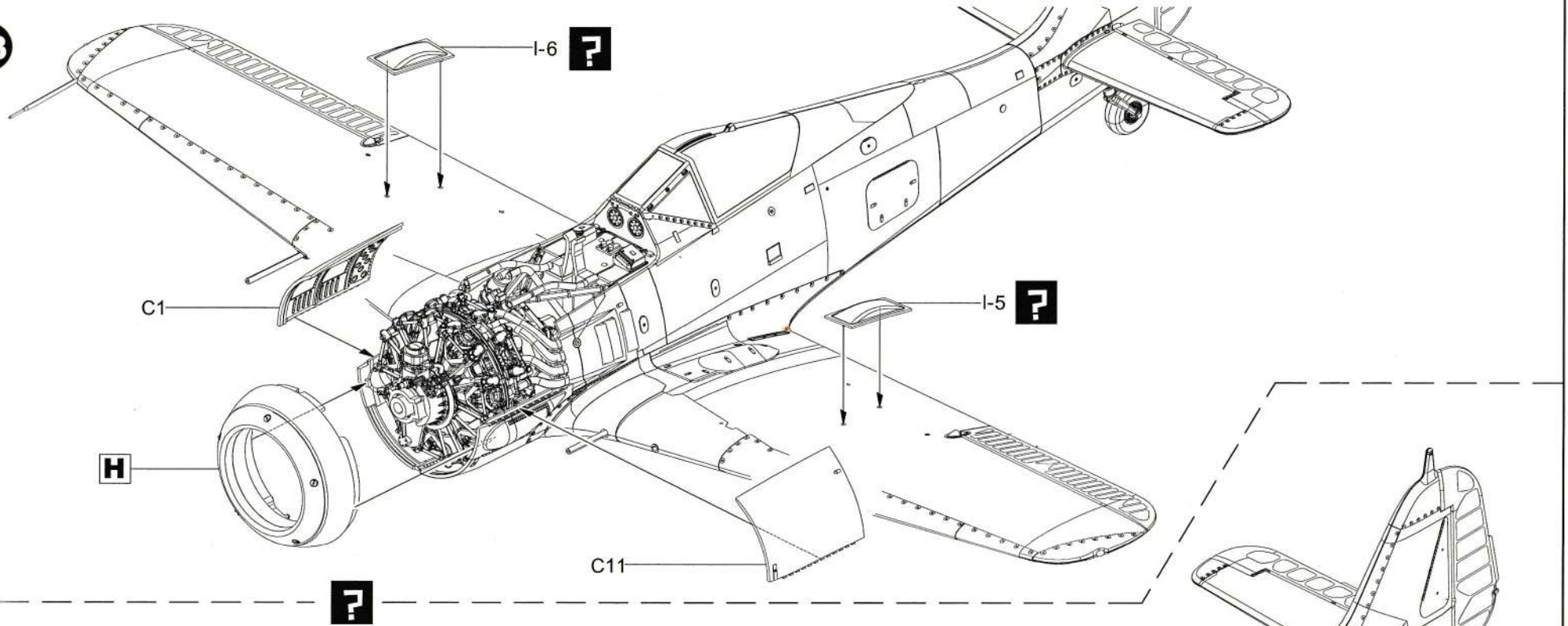


12

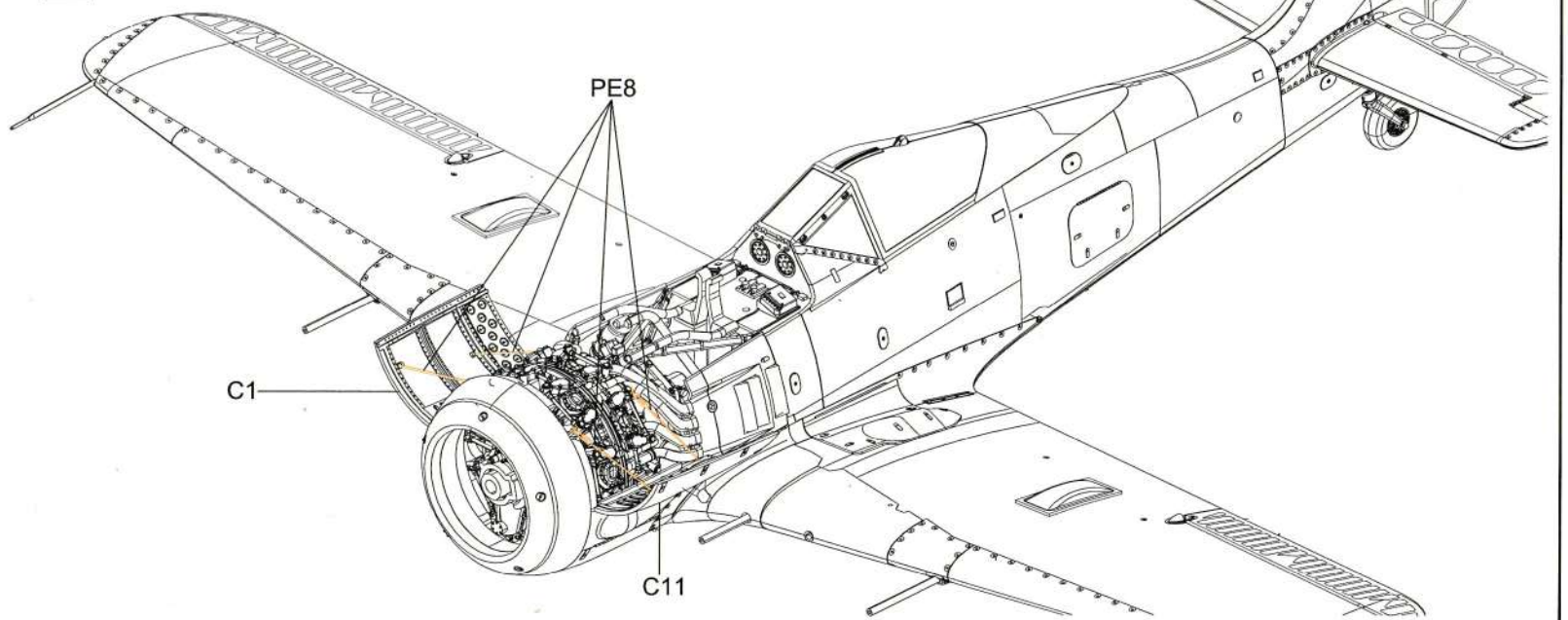


**H**

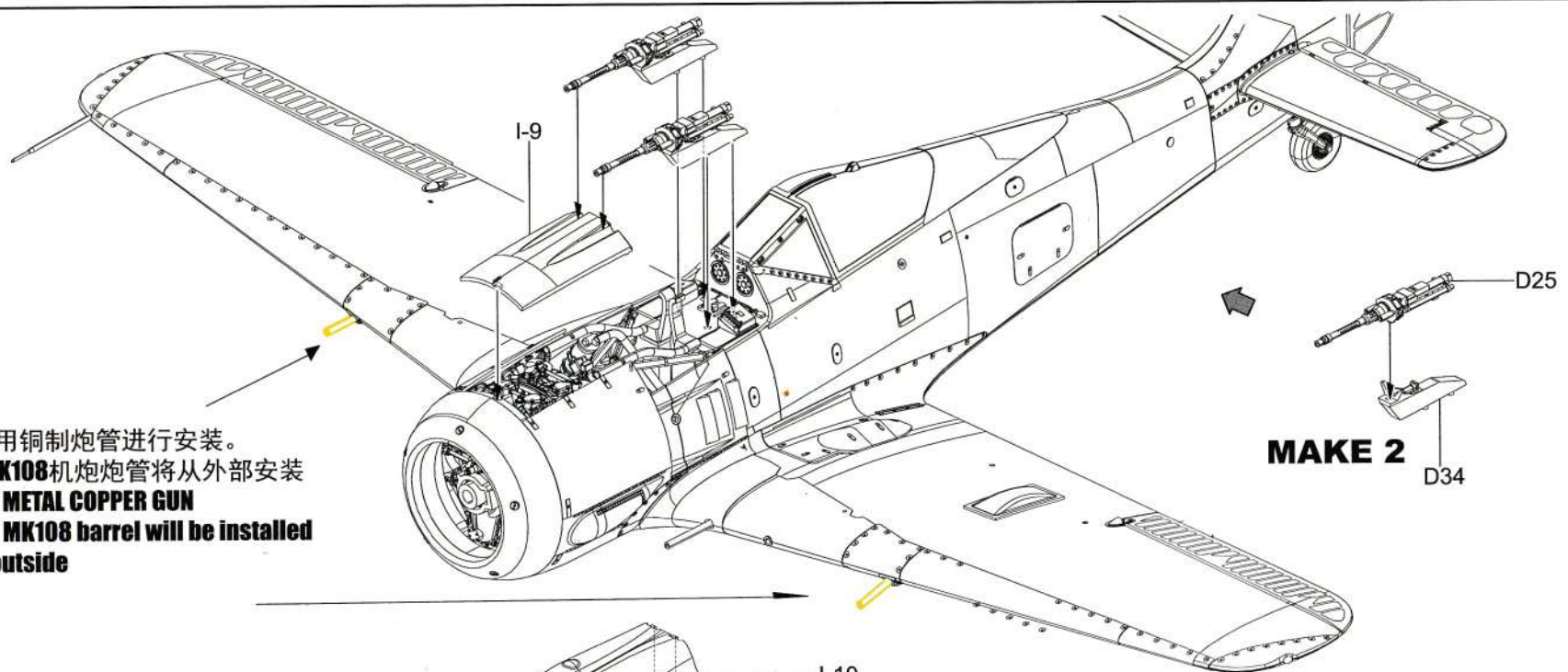
13



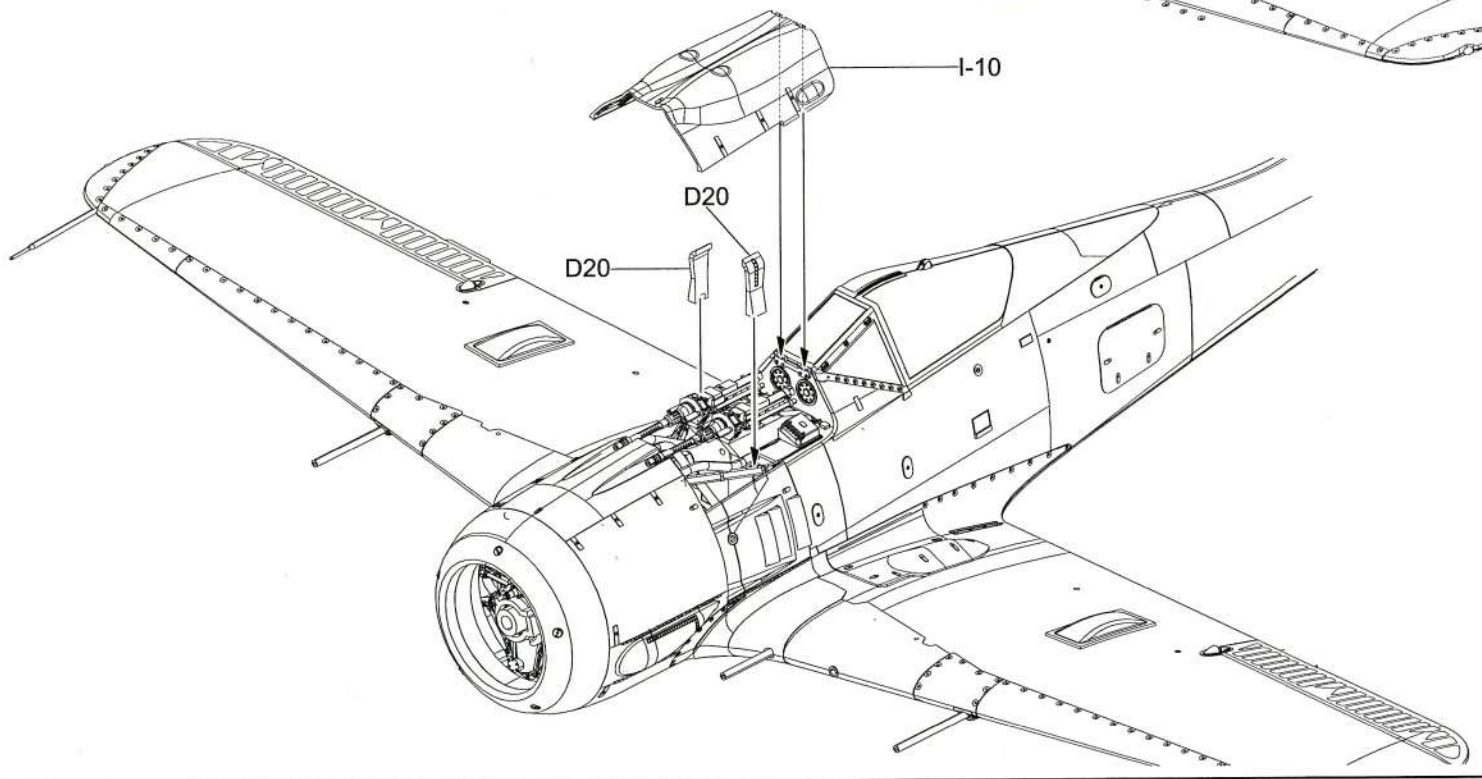
打开状态



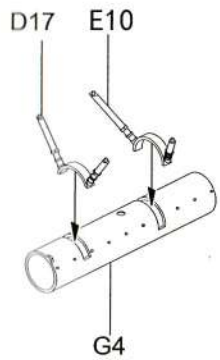
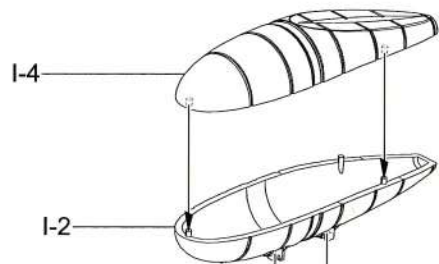
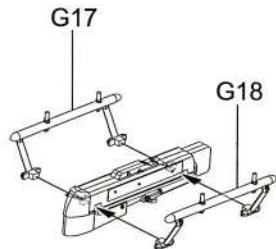
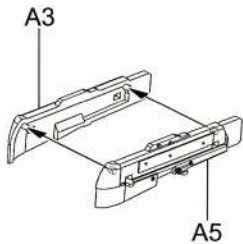
14



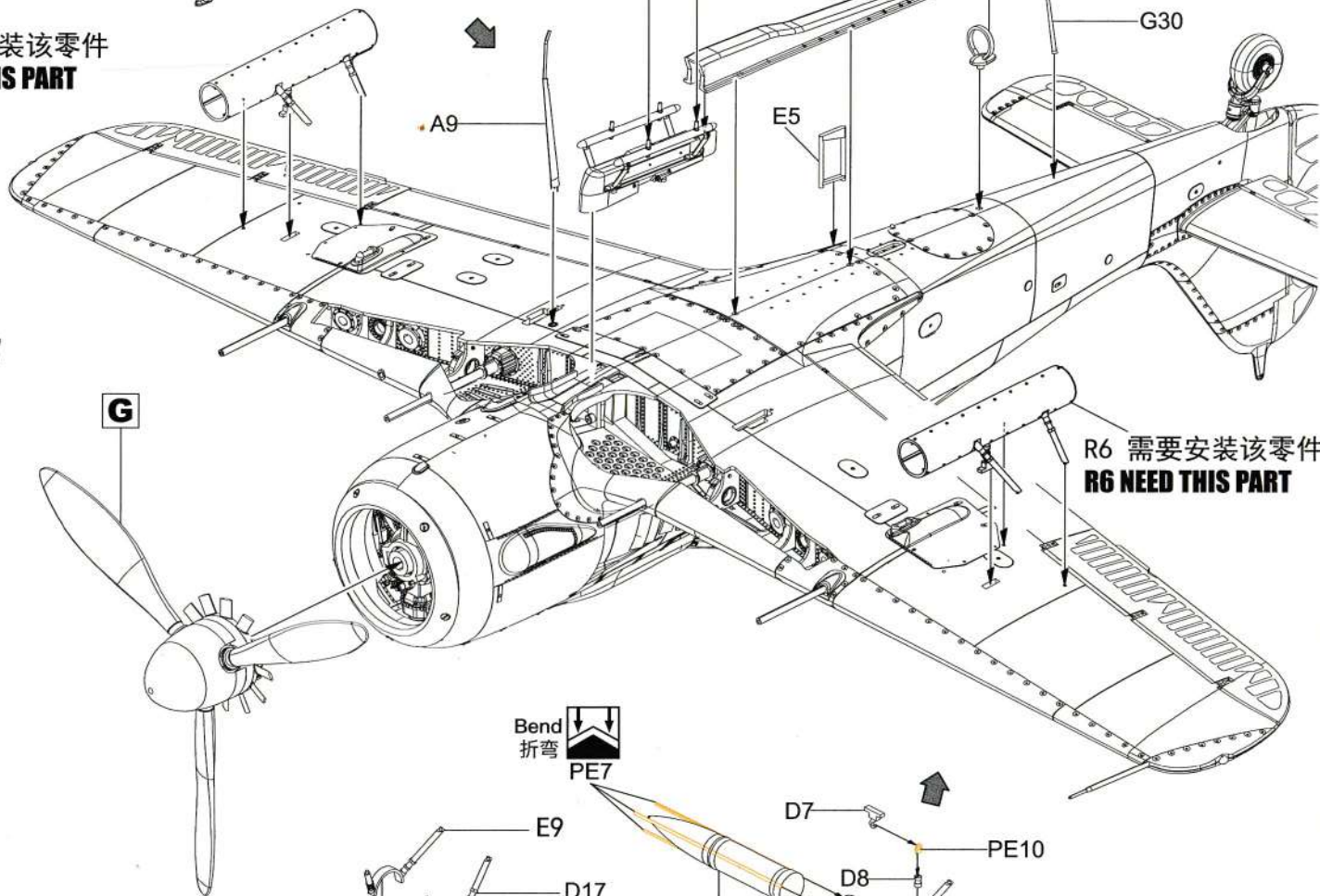
R2/R8 使用铜制炮管进行安装。  
30MM的MK108机炮炮管将从外部安装  
**R2/R8 USE METAL COPPER GUN**  
**The 30MM MK108 barrel will be installed**  
**from the outside**



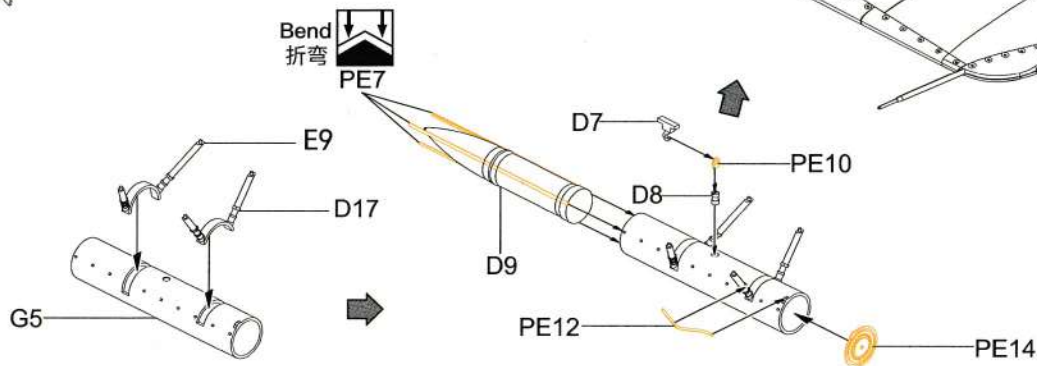
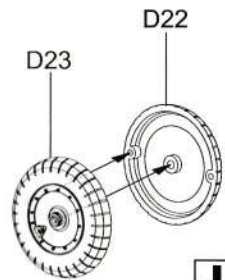
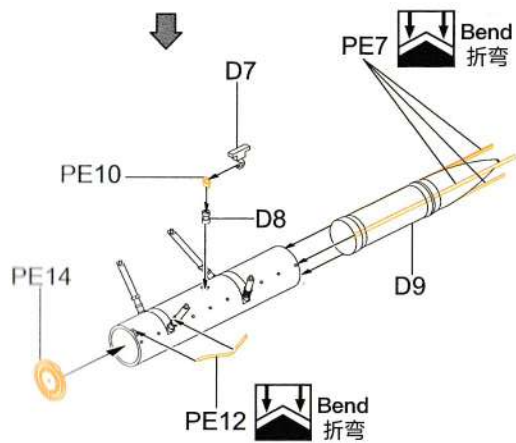
15



R6 需要安装该零件  
R6 NEED THIS PART

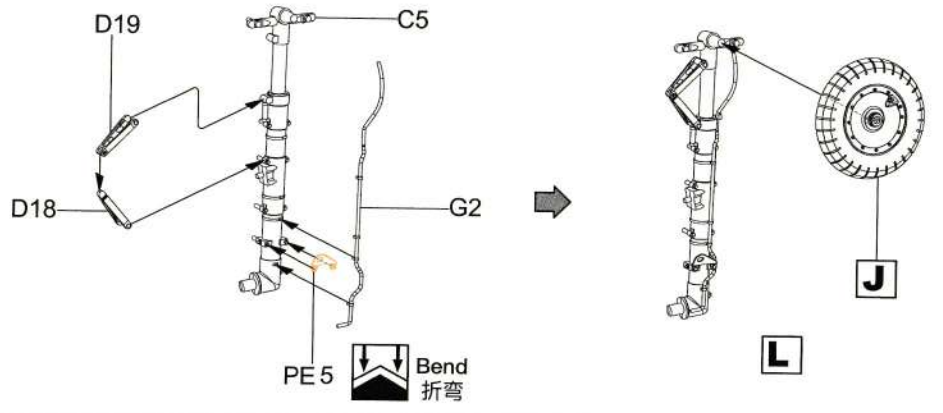
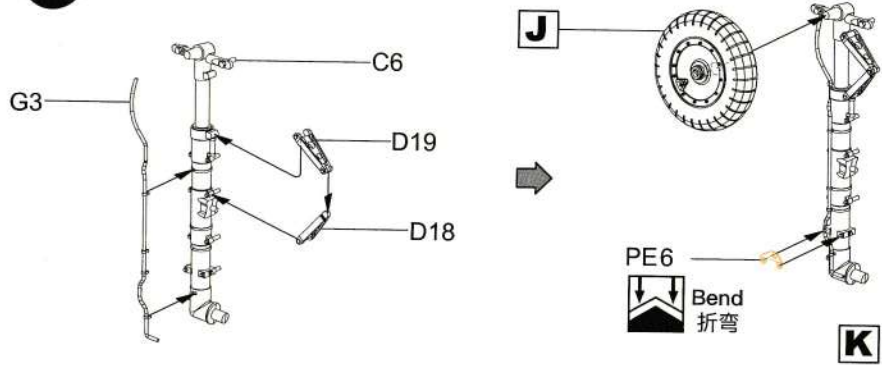


R6 需要安装该零件  
R6 NEED THIS PART

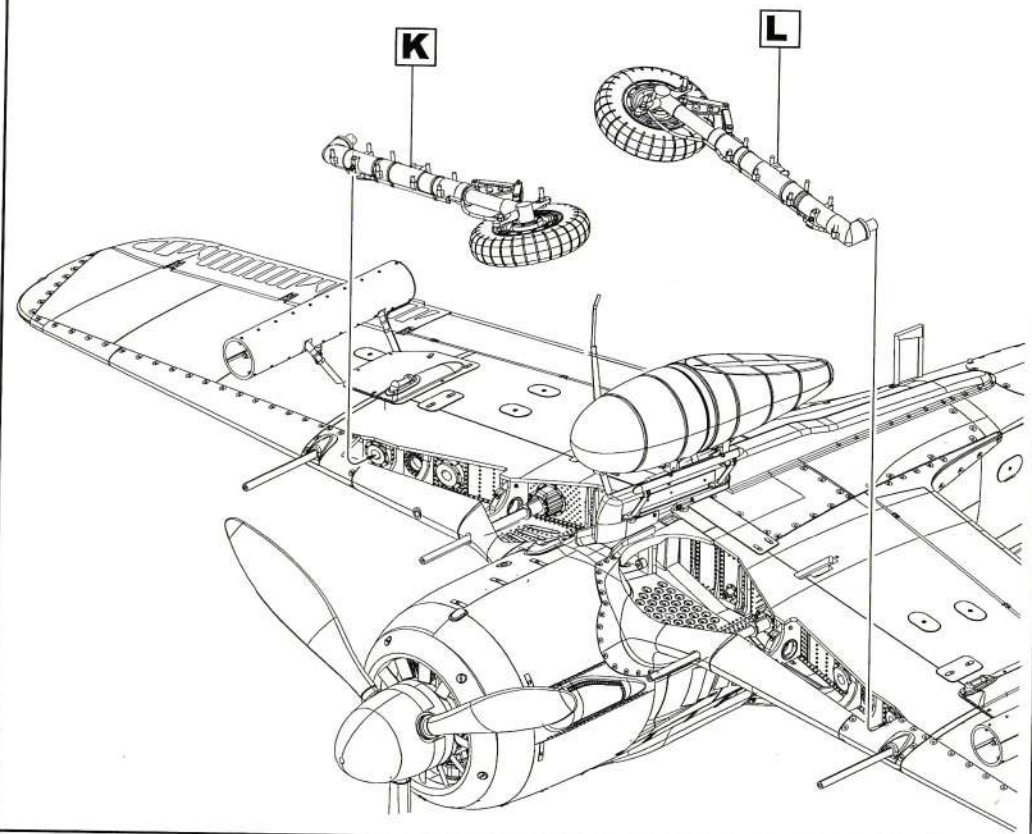


**J MAKE 2**

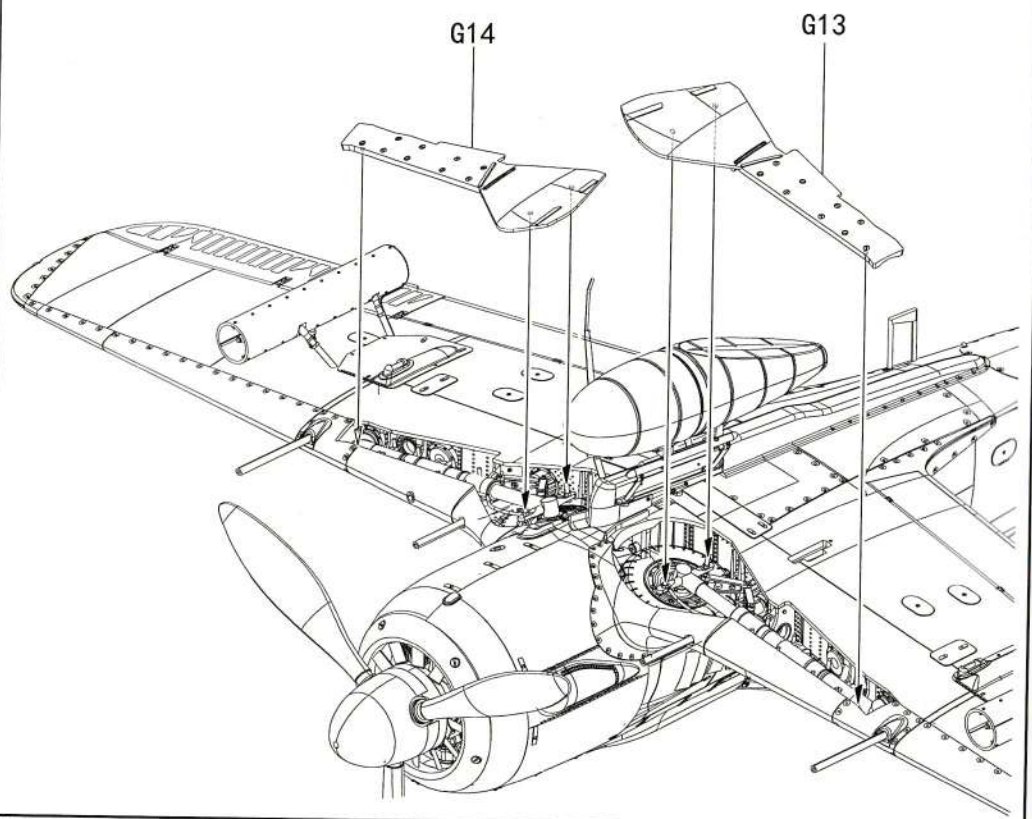
16



17

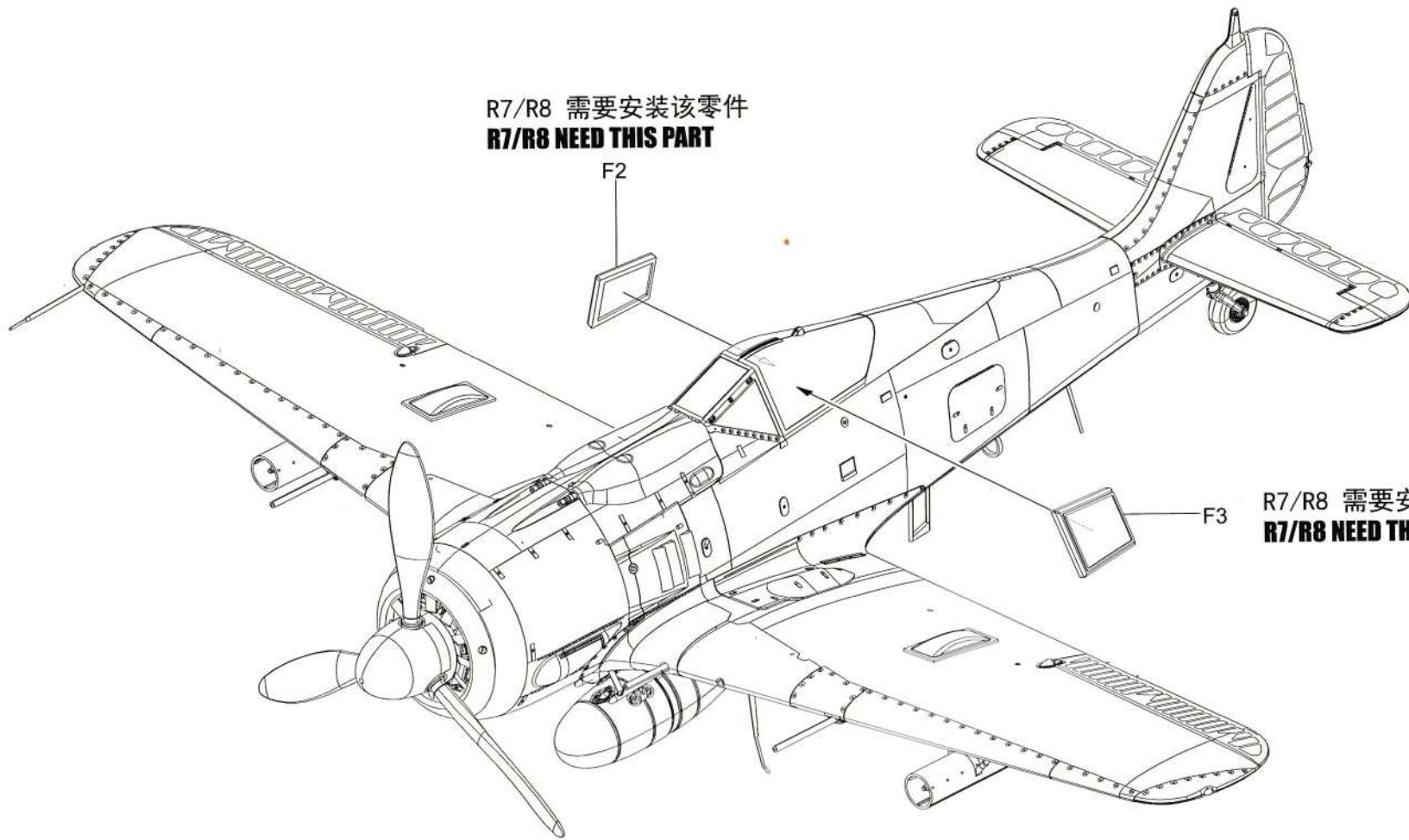


18



R7/R8 需要安装该零件  
**R7/R8 NEED THIS PART**

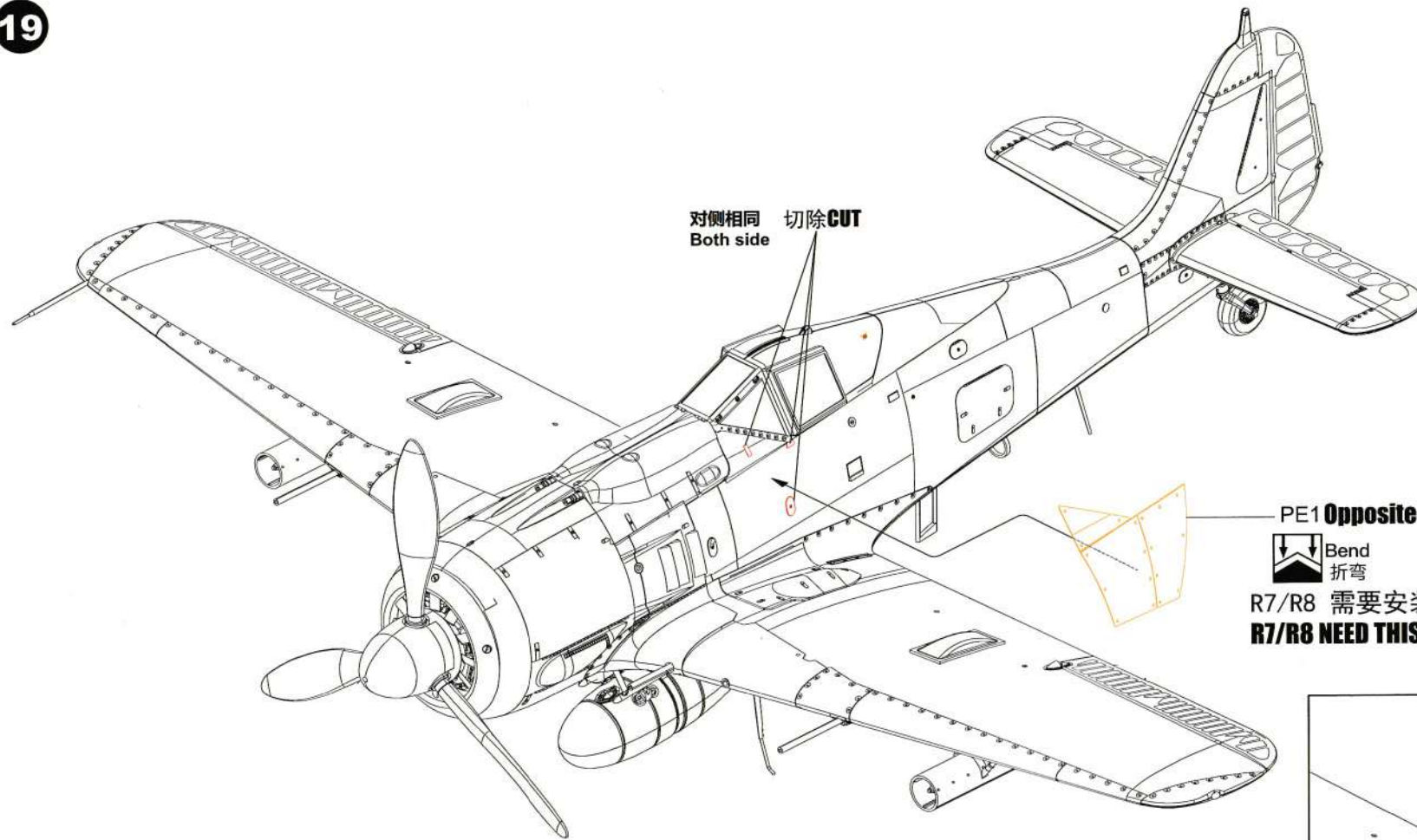
F2



R7/R8 需要安装该零件  
**R7/R8 NEED THIS PART**

F3

19

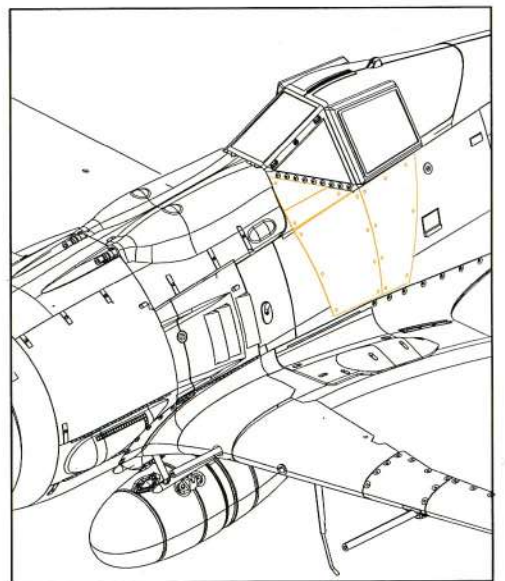


对侧相同 切除CUT  
Both side

PE1 **Opposite** PE9

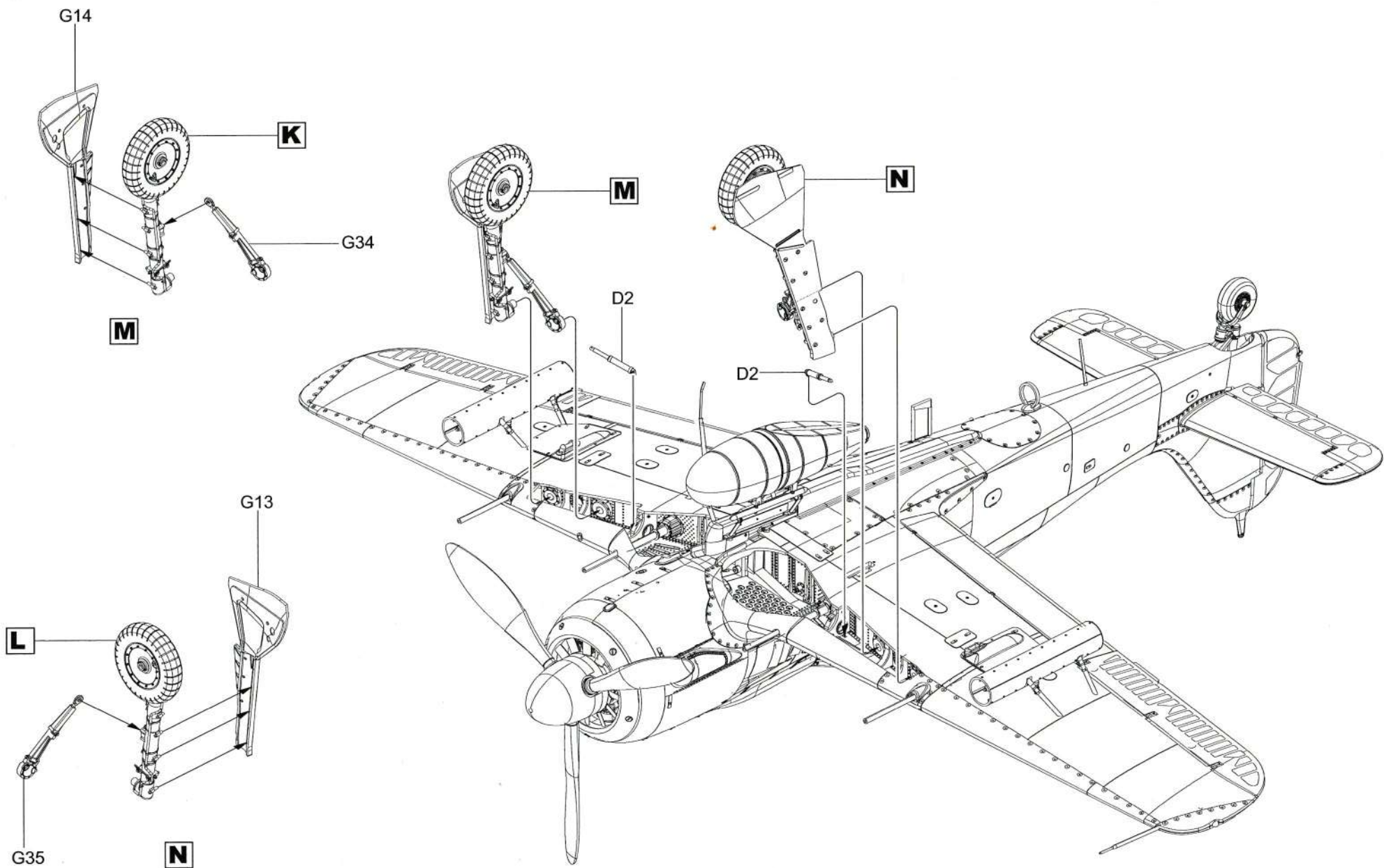


R7/R8 需要安装该零件  
**R7/R8 NEED THIS PART**





20



# FW 190 A8

## FW190 A8/R7

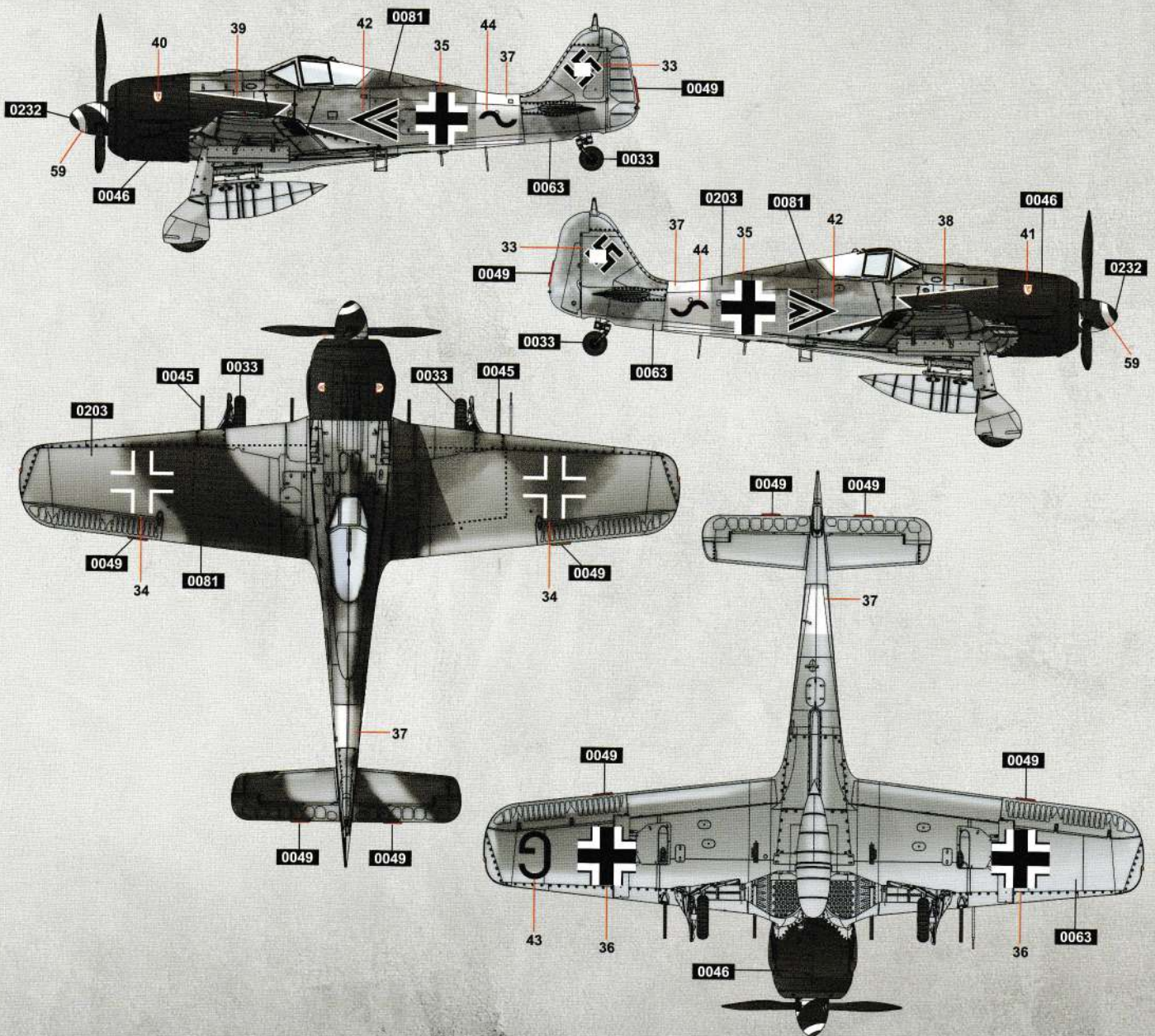


### PAINTING AND MARKING GUIDE

BORDER MODEL REF: XXXX

- |                               |   |                             |   |
|-------------------------------|---|-----------------------------|---|
| A.MIG-0033 Rubber & Tires     | A.MIG-0045 Gun Metal                        | A.MIG-0063 RLM 76 Pale Grey | A.MIG-0049 RED                                |
| A.MIG-0232 RLM 70 Schwarzgrün | A.MIG-0203 FS 36375 LIGHT GUNMETAL GUNMETAL | A.MIG-0046 Matt BLACK       | A.MIG-0081 FS 24087 US OLIVE DRAB VIETNAM ERA |

WILHELM MORITZ, IV.(Sturm)/JG 3, Memmingen, Germany, uly 1944



#### WEATHERING STEPS WITH AMMO PRODUCTS

- |  |  |  |  |   |
|--|--|--|--|---|
| <b>1 COCKPIT</b><br>A.MIG-0218 RLM 66 Schwartzgrau | <b>3 PLW RLM76</b><br>A.MIG-1613 Panel Line Wash Blue Grey   | <b>5 PLW RLM75</b><br>A.MIG-1611 Panel Line Wash Black Night | <b>7 SHADERS RLM74</b><br>A.MIG-0866 Dark Green Shader | <b>9 PIGMENTS</b><br>A.MIG-3011 Airfield Dust               |
| <b>2 INTERIOR WASH</b><br>A.MIG-1008 Dark Wash     | <b>4 PLW RLM74</b><br>A.MIG-1612 Panel Line Wash Green Brown | <b>6 SHADERS RLM76</b><br>A.MIG-0861 Marine Blue Shader      | <b>8 SHADERS RLM75</b><br>A.MIG-0857 Navy Grey Shader  | <b>10 FUEL STAINS</b><br>A.MIG-1253 Streaking/brusher Grime |

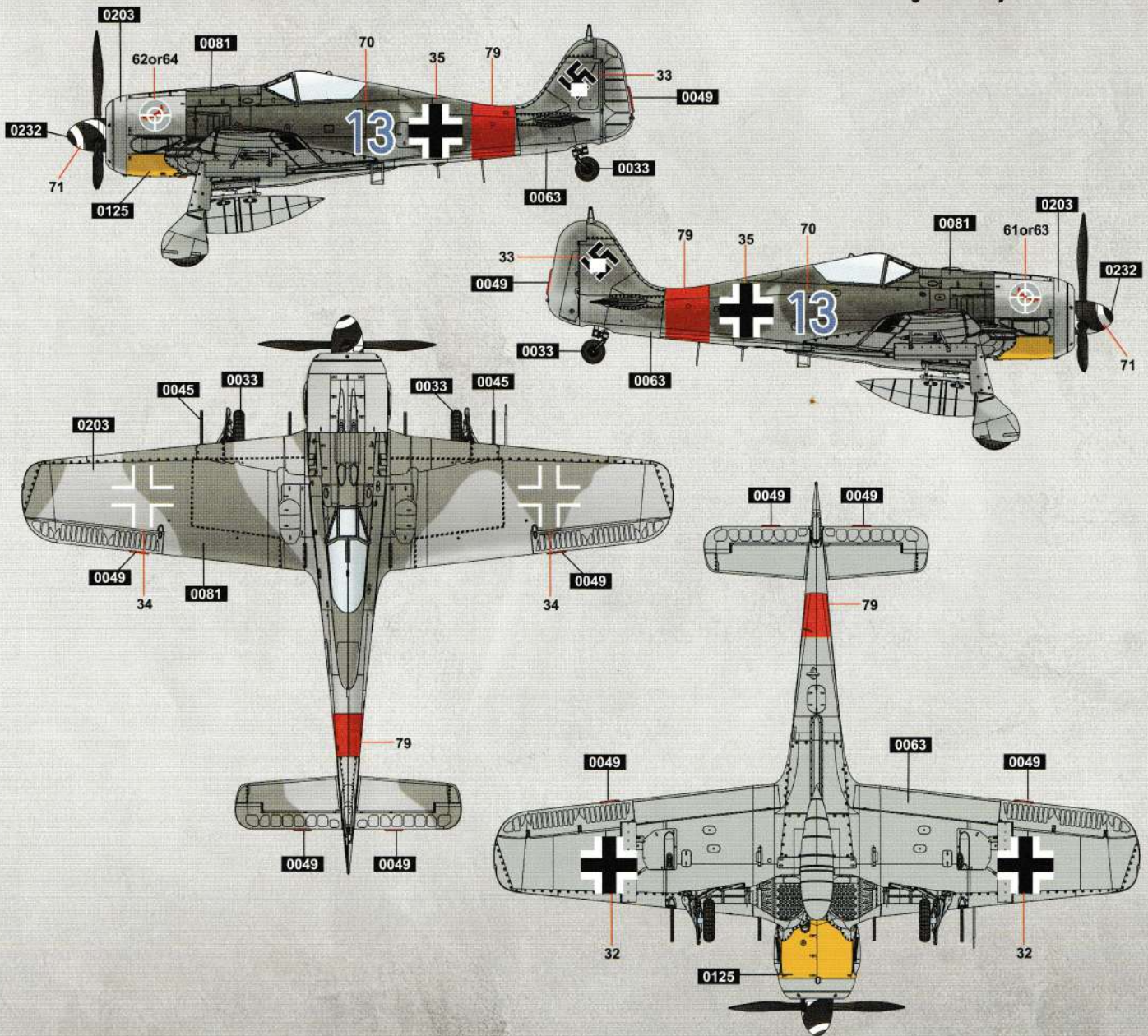


## PAINTING AND MARKING GUIDE

BORDER MODEL REF: XXXX

A.MIG-0033 Rubber & Tires	A.MIG-0045 Gun Metal	A.MIG-0063 RLM 76 Pale Grey	A.MIG-0049 RED
A.MIG-0232 RLM 70 Schwarzrön	A.MIG-0203 FS 36375 LIGHT COMBESS-GHOST GRAY	A.MIG-0125 RLM 04 GELB Gold Yellow	A.MIG-0081 FS 24087 US OLIVE DRAB VIETNAM ERA

WATHER DAHL, Stab/JG 300, Jüterborg, Germany, December 1944



### WEATHERING STEPS WITH AMMO PRODUCTS

<b>1 COCKPIT</b> A.MIG-0218 RLM 66 Schwartzgrau	<b>3 PLW RLM76</b> A.MIG-1613 Panel Line Wash Blue Grey	<b>5 PLW RLM75</b> A.MIG-1611 Panel Line Wash Black Night	<b>7 SHADERS RLM74</b> A.MIG-0866 Dark Green Shader	<b>9 PIGMENTS</b> A.MIG-3011 Airfield Dust
<b>2 INTERIOR WASH</b> A.MIG-1008 Dark Wash	<b>4 PLW RLM74</b> A.MIG-1612 Panel Line Wash Green Brown	<b>6 SHADERS RLM76</b> A.MIG-0861 Marine Blue Shader	<b>8 SHADERS RLM75</b> A.MIG-0857 Navy Grey Shader	<b>10 FUEL STAINS</b> A.MIG-1253 Streakingbrusher Grime

# FW 190 A8

FW190 A8/ R2 & R8

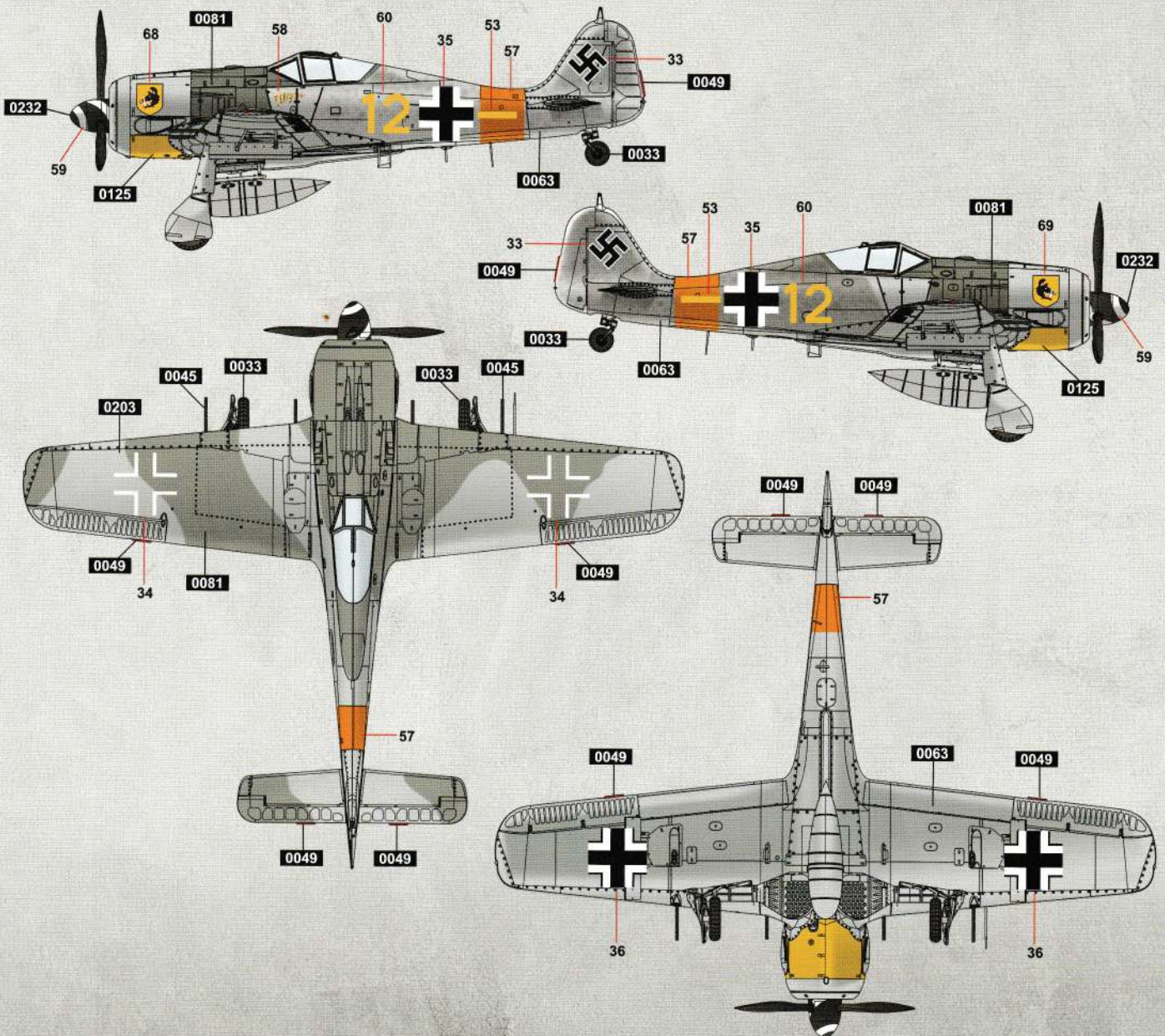


## PAINTING AND MARKING GUIDE

BORDER MODEL REF: XXXX

A.MIG-0033 Rubber & Tires	A.MIG-0045 Gun Metal	A.MIG-0063 RLM 76 Pale Grey	A.MIG-0125 RLM 04 GELB Gold Yellow
A.MIG-0232 RLM 70 Schwarzrün	A.MIG-0203 FS 36375 LIGHT GREEN GREY	A.MIG-0049 RED	A.MIG-0081 FS 24087 US OLIVE DRAB VIETNAM ERA

PAUL LIXFELD, 6./JG 300, late 1944



### WEATHERING STEPS WITH AMMO PRODUCTS

<b>1 COCKPIT</b> A.MIG-0218 RLM 66 Schwartzgrau	<b>3 PLW RLM76</b> A.MIG-1613 Panel Line Wash Blue Grey	<b>5 PLW RLM75</b> A.MIG-1611 Panel Line Wash Black Night	<b>7 SHADERS RLM74</b> A.MIG-0866 Dark Green Shader	<b>9 PIGMENTS</b> A.MIG-3011 Airfield Dust
<b>2 INTERIOR WASH</b> A.MIG-1008 Dark Wash	<b>4 PLW RLM74</b> A.MIG-1612 Panel Line Wash Green Brown	<b>6 SHADERS RLM76</b> A.MIG-0861 Marine Blue Shader	<b>8 SHADERS RLM75</b> A.MIG-0857 Navy Grey Shader	<b>10 FUEL STAINS</b> A.MIG-1253 Streakingbrusher Grime

# FW 190 A8

FW190 A8/ R6

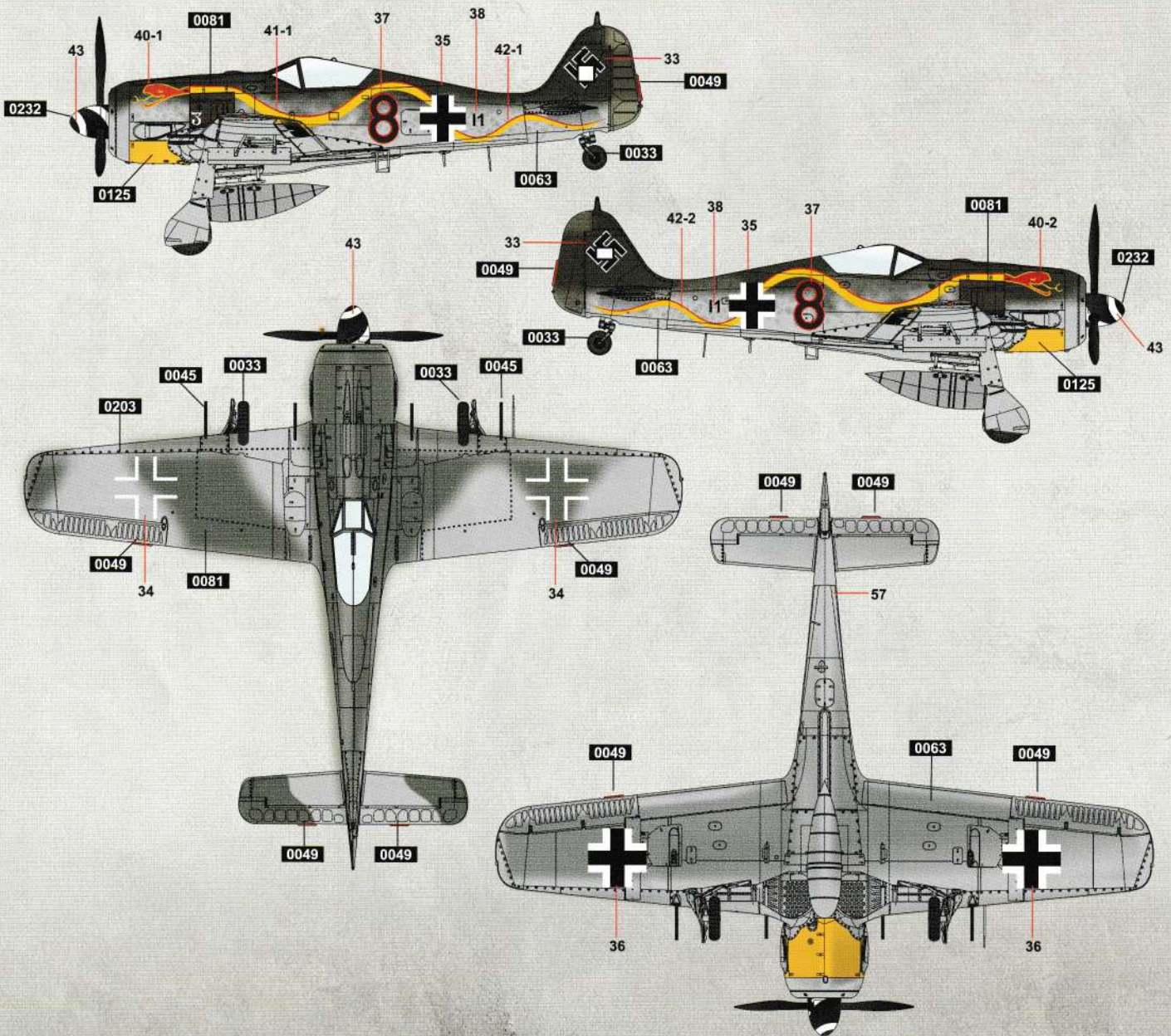


## PAINTING AND MARKING GUIDE

BORDER MODEL REF: XXXX

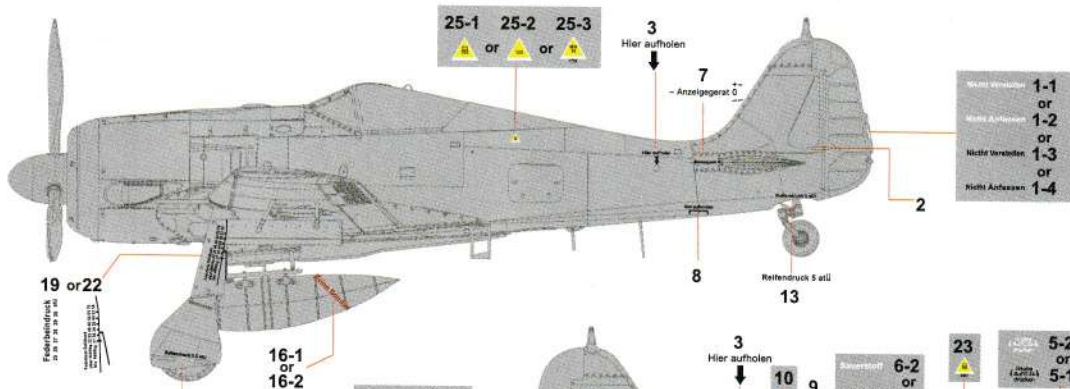
<b>A.MIG-0033</b> Rubber & Tires	<b>A.MIG-0045</b> Gun Metal	<b>A.MIG-0063</b> RLM 76 Pale Grey	<b>A.MIG-0125</b> RLM 04 GELB Gold Yellow
<b>A.MIG-0232</b> RLM 70 Schwarzrün	<b>A.MIG-0203</b> FS 36375 LIGHT GUNMETAL (GHOST GRAY)	<b>A.MIG-0049</b> RED	<b>A.MIG-0081</b> FS 24087 US OLIVE DRAB VIETNAM ERA

Focke-Wulf Fw 190 A-8/R6; probable W.Nr. 171179, "Black 8", 1945

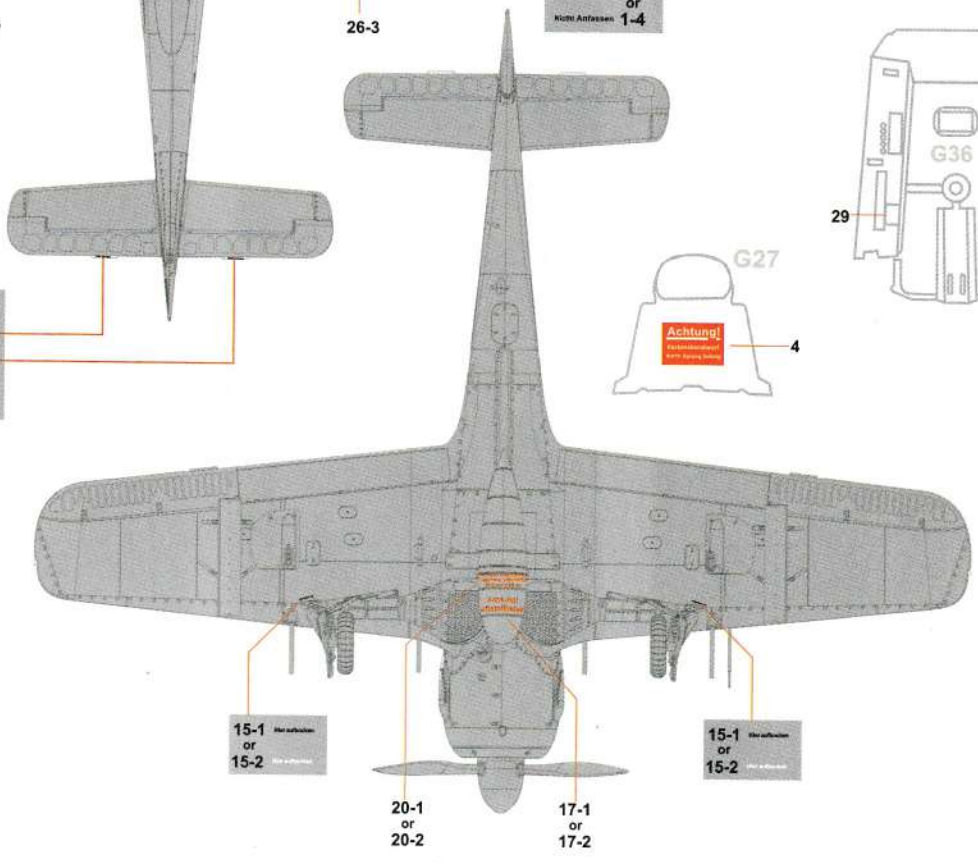
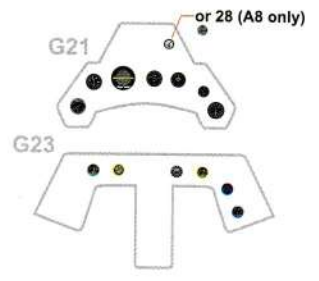
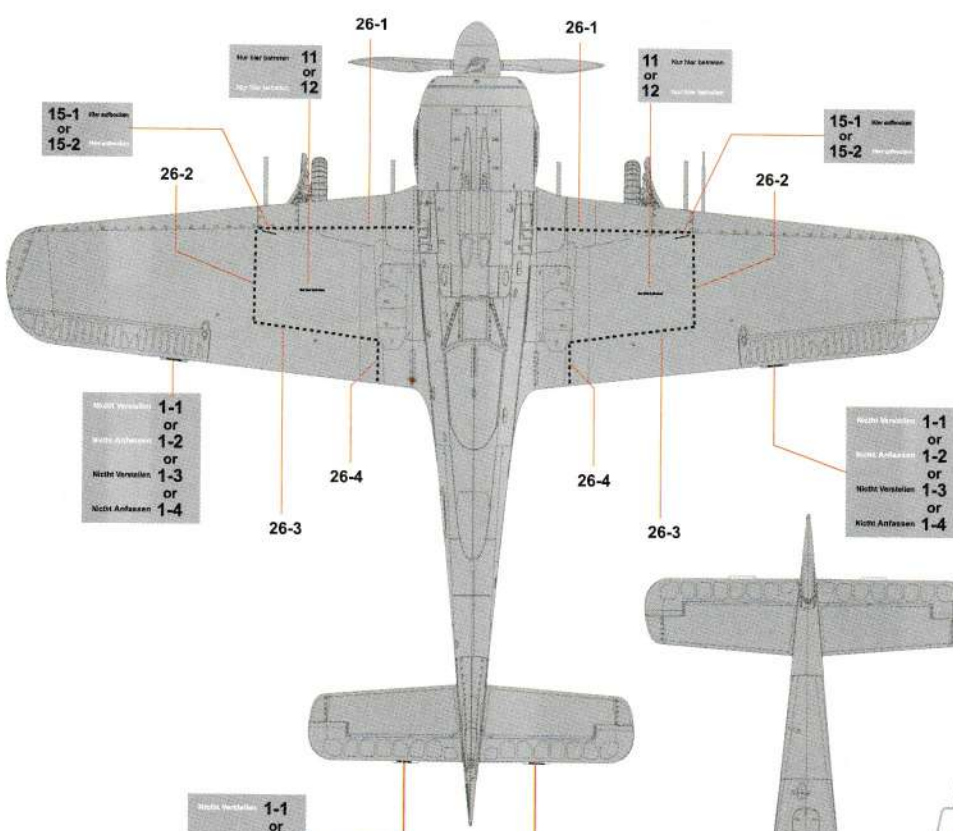
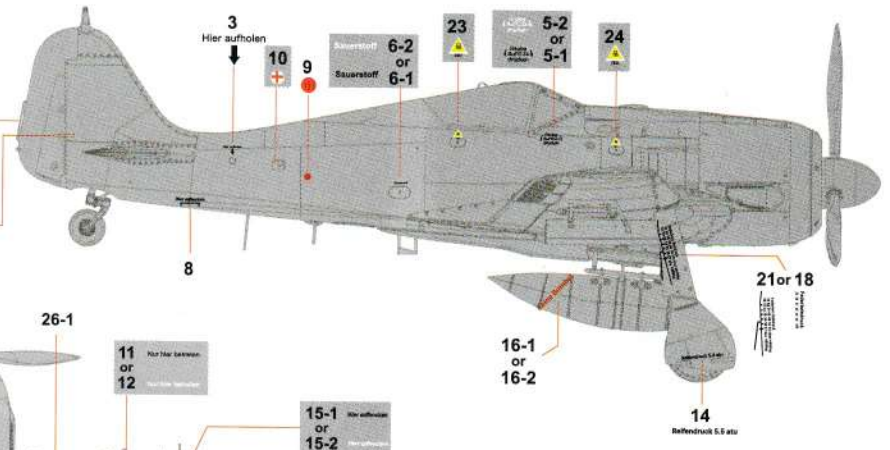


### WEATHERING STEPS WITH AMMO PRODUCTS

<b>1 COCKPIT</b> A.MIG-0218 RLM 66 Schwartzgrau	<b>3 PLW RLM76</b> A.MIG-1613 Panel Line Wash Blue Grey	<b>5 PLW RLM75</b> A.MIG-1611 Panel Line Wash Black Night	<b>7 SHADERS RLM74</b> A.MIG-0866 Dark Green Shader	<b>9 PIGMENTS</b> A.MIG-3011 Airfield Dust
<b>2 INTERIOR WASH</b> A.MIG-1008 Dark Wash	<b>4 PLW RLM74</b> A.MIG-1612 Panel Line Wash Green Brown	<b>6 SHADERS RLM76</b> A.MIG-0861 Marine Blue Shader	<b>8 SHADERS RLM75</b> A.MIG-0857 Navy Grey Shader	<b>10 FUEL STAINS</b> A.MIG-1253 Streaking/Grime



- Nicht Verstellen 1-1 or 1-2 or 1-3 or Nicht Anpassen 1-4

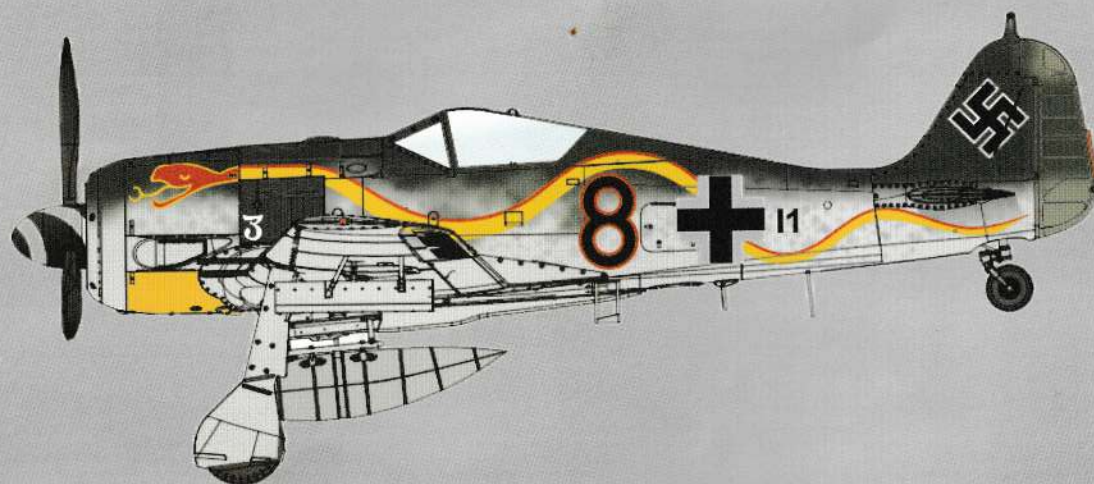


- Nicht Verstellen 1-1 or 1-2 or 1-3 or Nicht Anpassen 1-4

- 15-1 Hier aufholen or 15-2

- 15-1 Hier aufholen or 15-2

Border



WWW.BORDERMODEL.COM