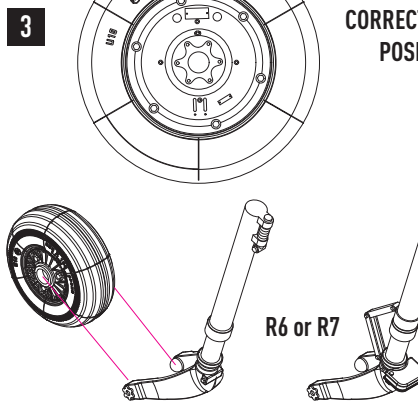
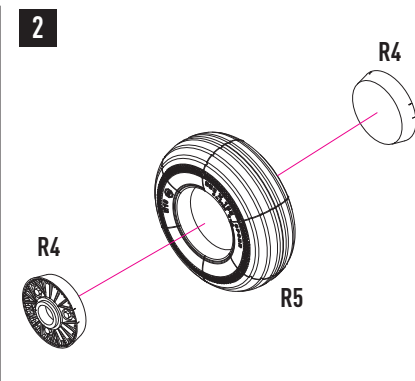
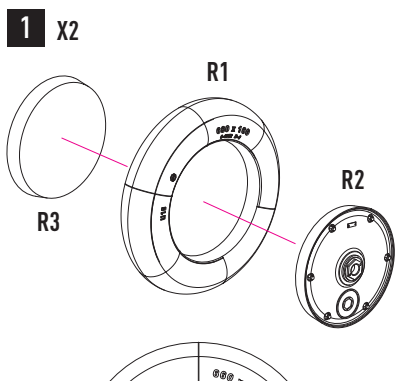
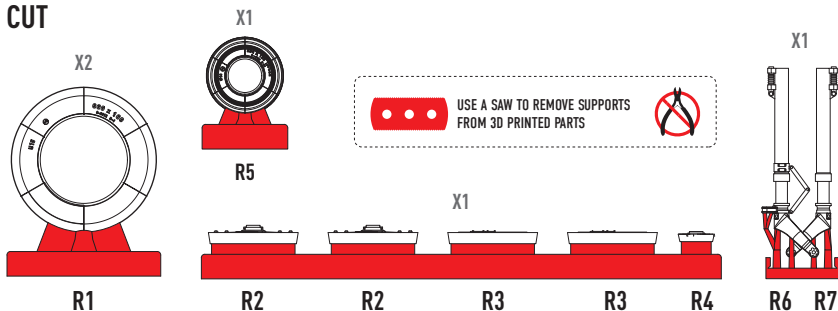


### CUT



### CORRECT WHEEL POSITION

