

Set AC48-40

AIRWAVES

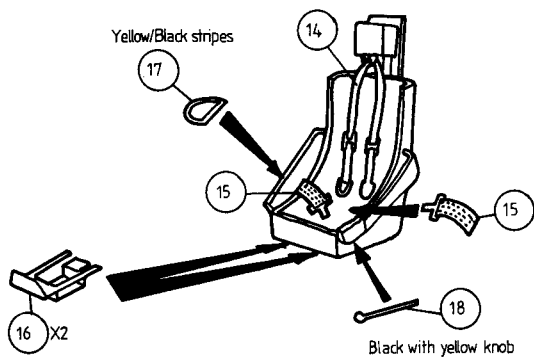
Lockheed T/RT 33

This detail set is manufactured from photo etched brass sheet and is meant for use on the Hobbycraft kits.

To separate components from frame use a sharp modelling knife on a firm surface, cutting as near to the part as possible. Tag scars can be cleaned by holding part in pliers and using a fine file. To fold part, support up to line of fold and, fold in one go, using a screwdriver blade for leverage. For assembly use superglue or five minute epoxy. Prior to painting ensure that parts are thoroughly cleaned by washing in detergent and that they are primed with either self etching primer or matt enamel. Position of parts in diagrams are for guidance only, for final positioning and colouring consult reference material.

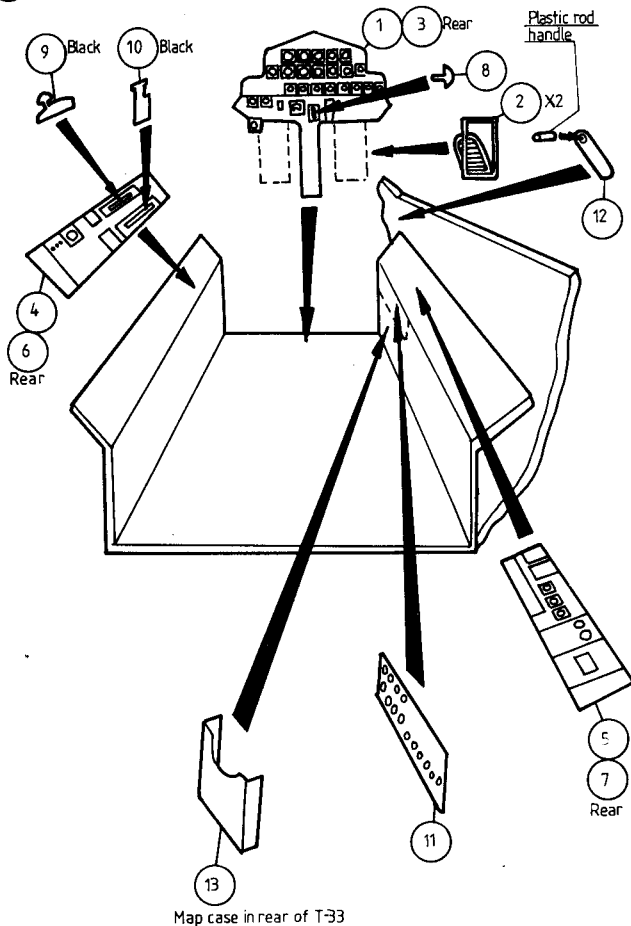
Airwaves are distributed by E.D. Models, 64 Stratford Road, Shirley, Solihull, West Midlands B90 3LP, England. Telephone: 021-744-7486. Fax: 021-733-2591.

1 Harness

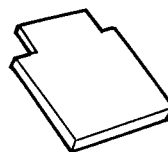


Straps: Blue/Grey
Buckles: Gunmetal

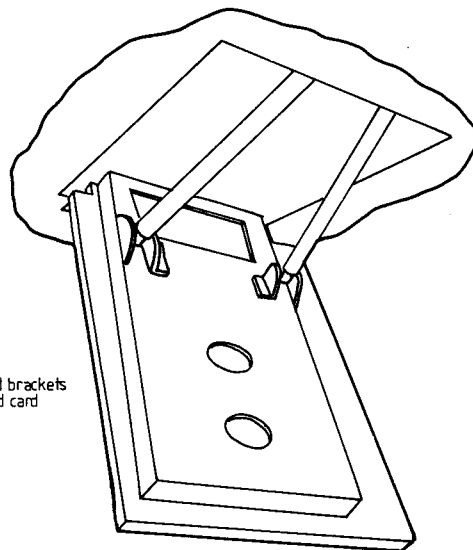
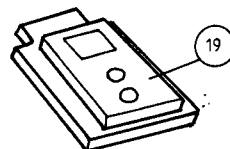
2 Cockpit



3 Air Brakes



Carefully cut brakes from underside of wing



Fabricate struts and brackets from plastic rod and card

4 Component Frame Layout

