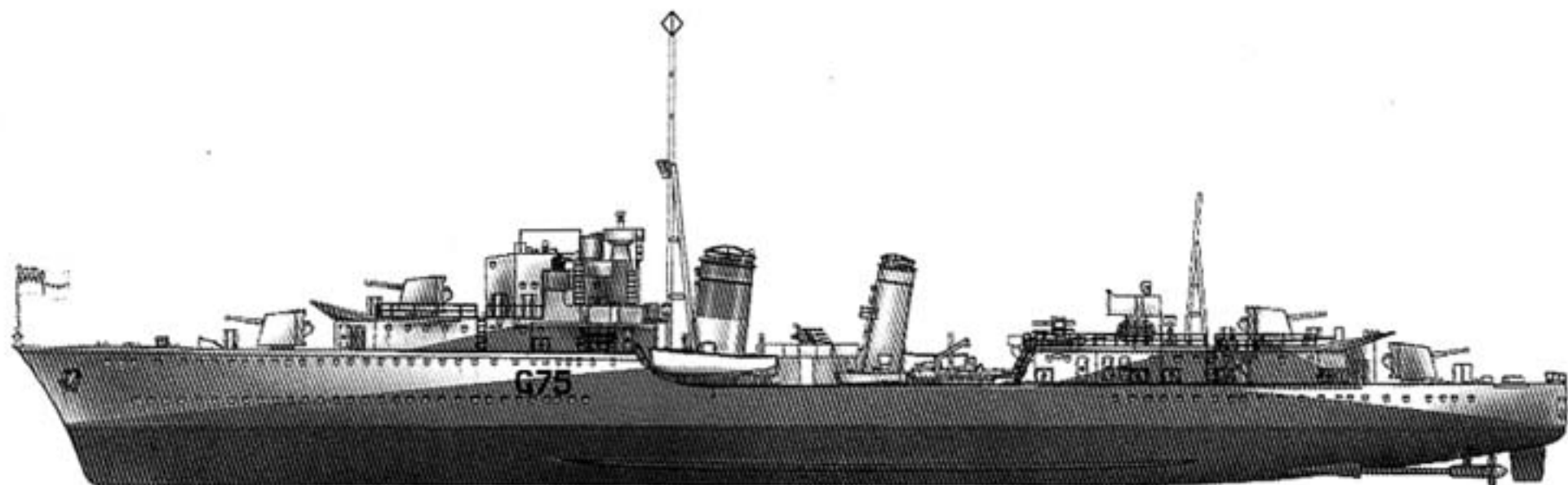


HMS Eskimo Destroyer 1941

英国皇家海军“爱斯基摩”号驱逐舰1941年



READ BEFORE ASSEMBLY:

- Study and understand these instructions thoroughly before beginning assembly
- When needed, remove photo-etch parts carefully using a modeling knife or photo etch sprue cutter, being careful not to damage or lose small parts.
- Take extra care in handling photo etch parts in order to avoid injury
- Apply instant cement sparingly to photo etch parts where instructed
- Tools recommended(not included in kit):Plastic and instant cements,sprue cutters,long nose pliers,,modeling knife, small files, tweezers, pin vise & scissors. Soft cloth and sandpaper will also assist in construction
- Glue and paint are not included in the kit. Use plastic cement and hobby paints only. Color guide for purchasing paint is included in the kit.

装配之前仔细阅读

- 小心用模型锉刀锉平所有零件表面的注射浇口。
- 小心用刀片切下蚀刻片零件，不要遗失小零件。
- 用强力快干胶水粘合蚀刻片零件和金属轴。过量的快干胶水使用可能导致可动零件会粘住，小心涂胶。
- 取蚀刻片时应特别注意安全，防止利边划伤手指。
- 某些零件表面需贴上水贴纸，请选择在装配的同时进行。
- 推荐模型工具(自备)：胶水，水口剪刀，长咀钳，刀片，锉刀，镊子，钳，钻，剪刀，瞬间快干胶。
- 软布同砂纸同时也应该是必备工具。
- 请使用塑料胶水和油漆，模型内不含。



贴纸
Decal



锉平
File / Sand



选择
Option



不涂胶水
No cement



弯曲
Bend



使用强力胶
Cyanoacrylate glue



配重
Weight



钻孔
Make hole



切除
Cut / Remove

水贴纸的使用:

1. 从水贴上剪下印花;
2. 将印花放入温水中浸10秒，然后放在干净布上。
3. 拿着印花纸板将印花移到模型上;
4. 手指蘸水将印花移到适当的位置;
5. 用软布轻压印花直至水干，汽泡消失。

DECAL APPLICATION

1. Cut off decal from sheet.
2. Dip the decal in tepid water 40°C for about 10 sec. and place on a clean cloth.
3. Hold the backing sheet edge and slide decal onto the model.
4. Move decal into position by wetting decal with finger.
5. Press decal gently down with a soft cloth until excess water and air bubbles are gone.
6. Allow decal to dry completely before handling model.

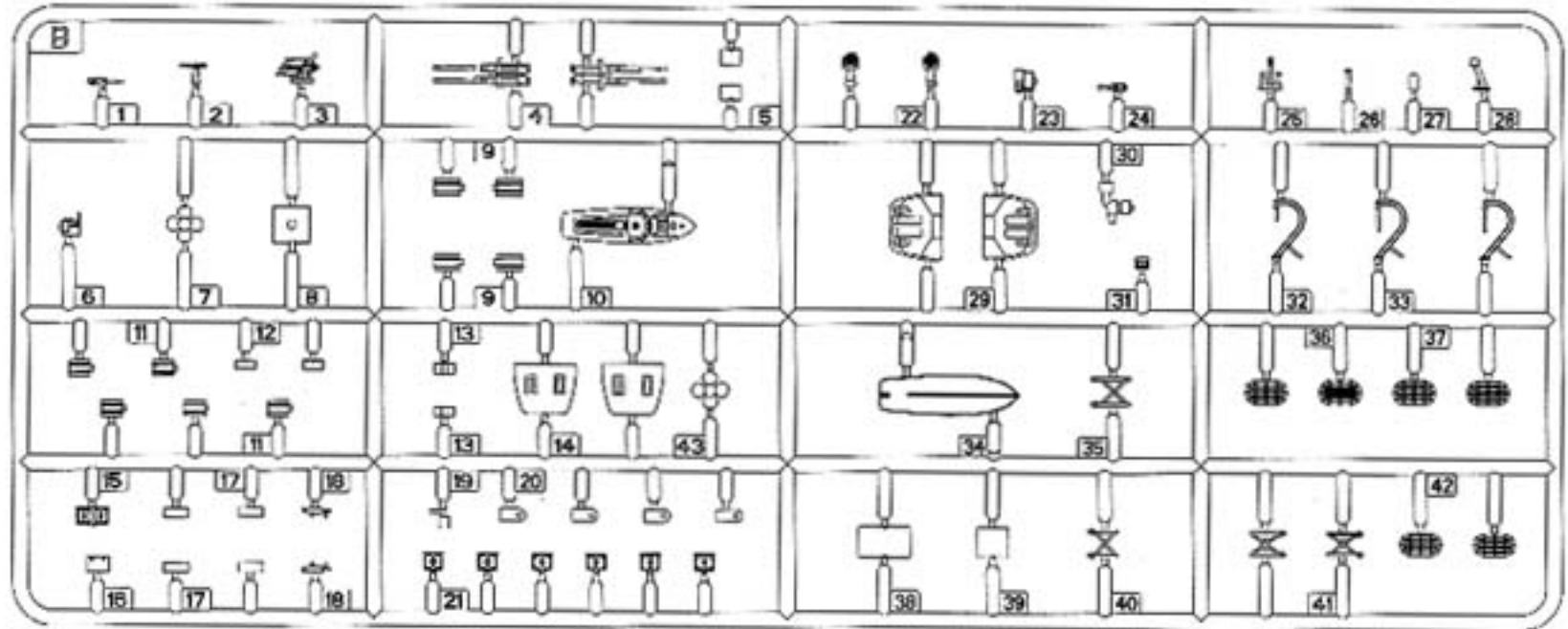
部品图

Parts

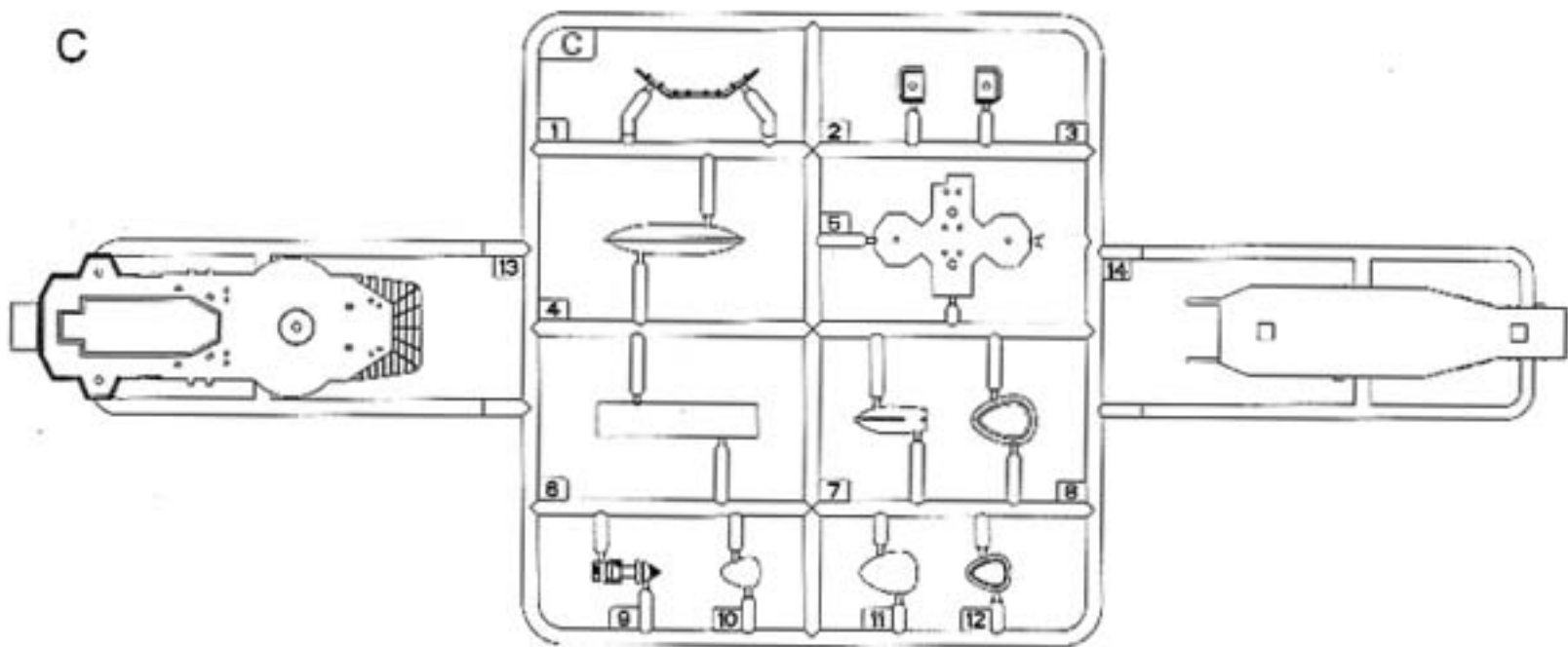
《船体》
Hull



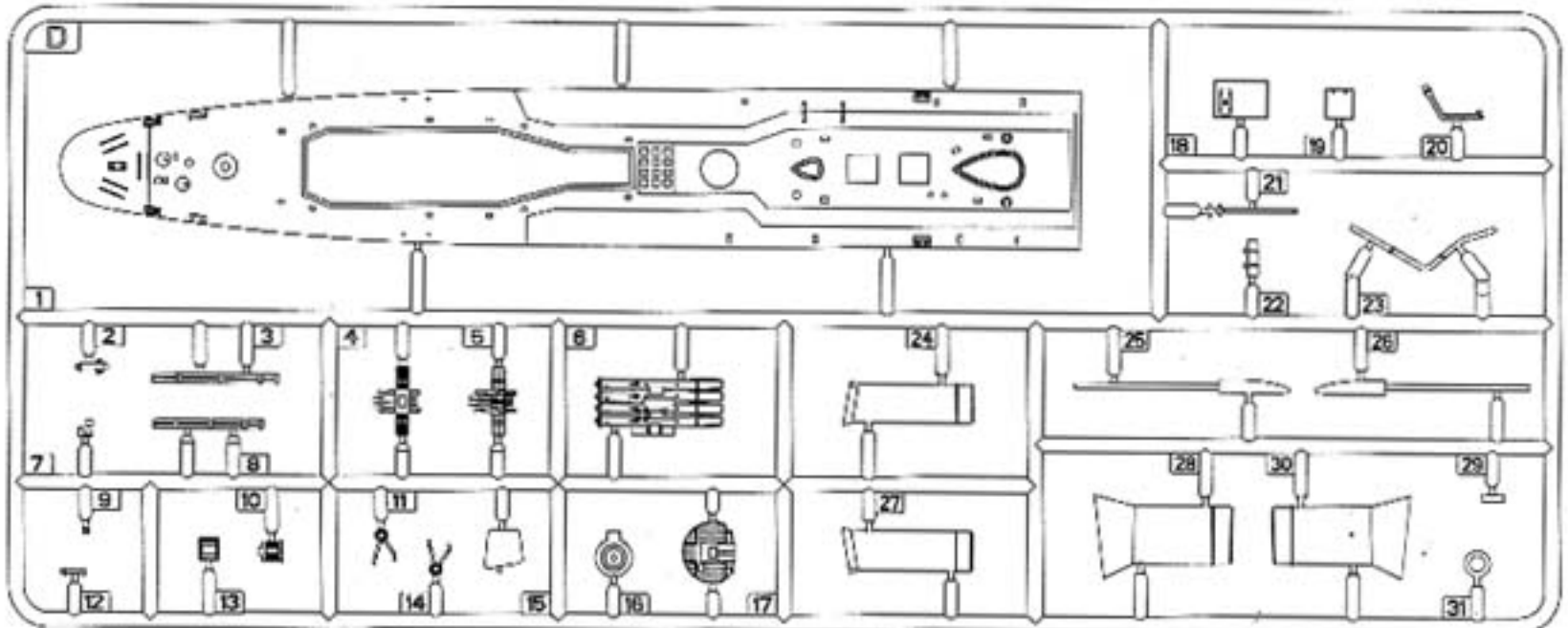
Bx2



C

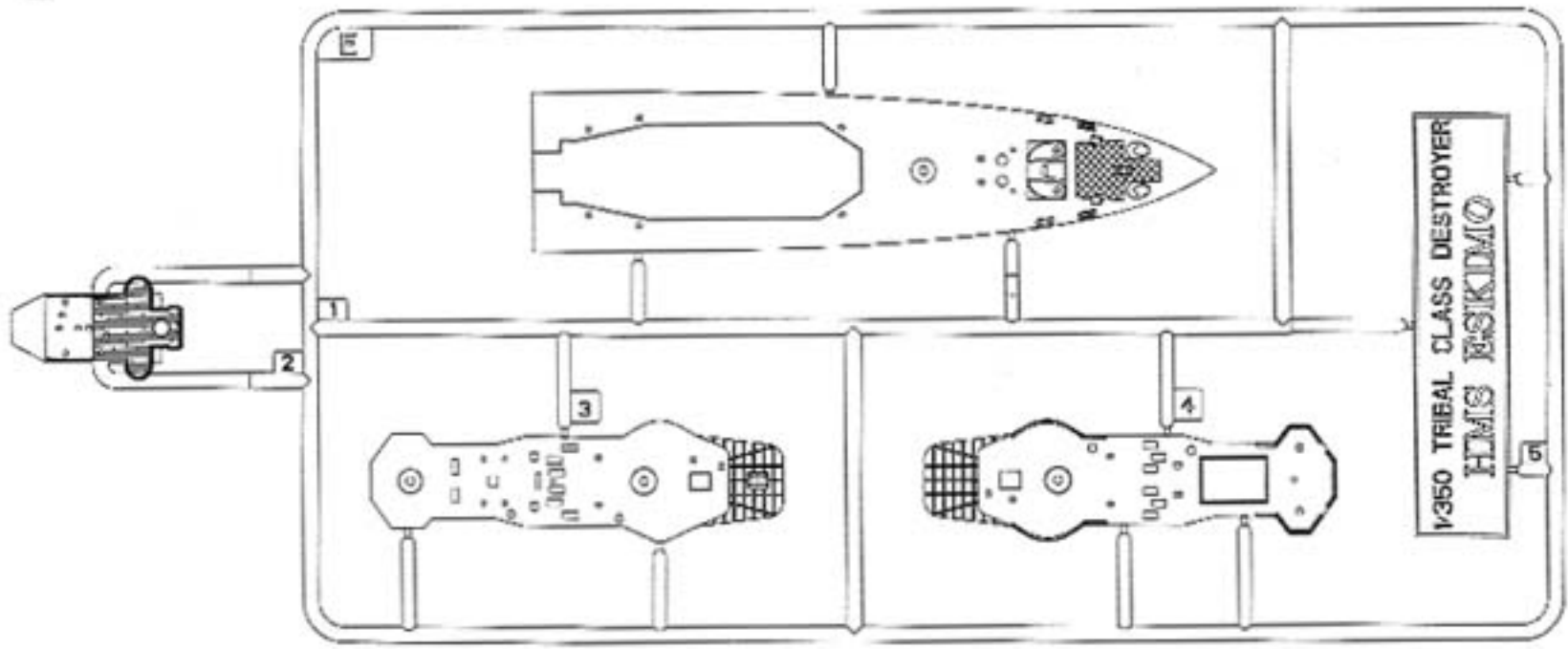


D

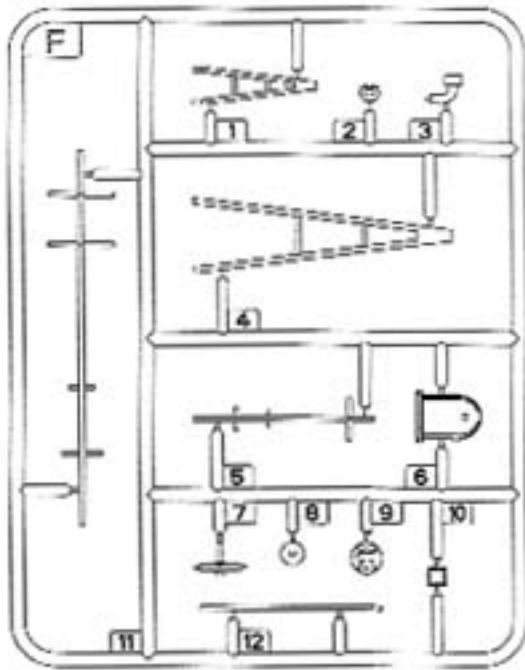


部品图
Parts

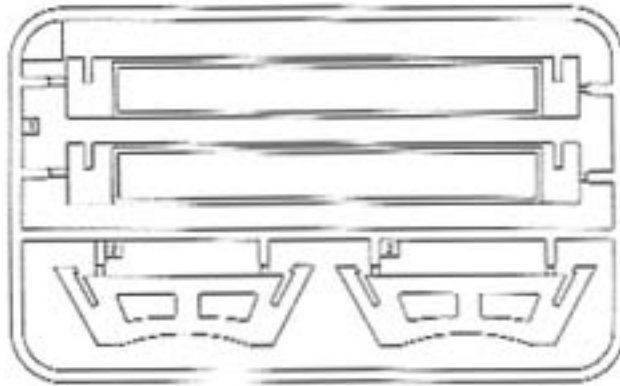
E



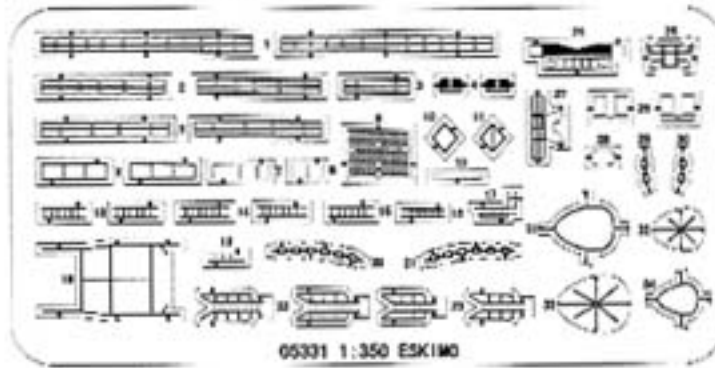
F



《座架》 Stand



《蚀刻片》 Photo Etched

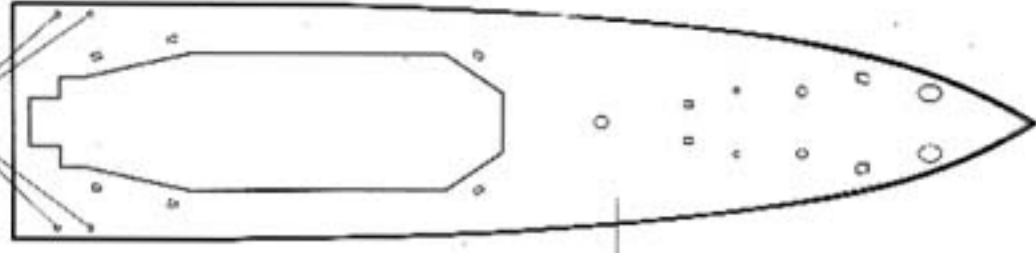


《水贴》 Decal



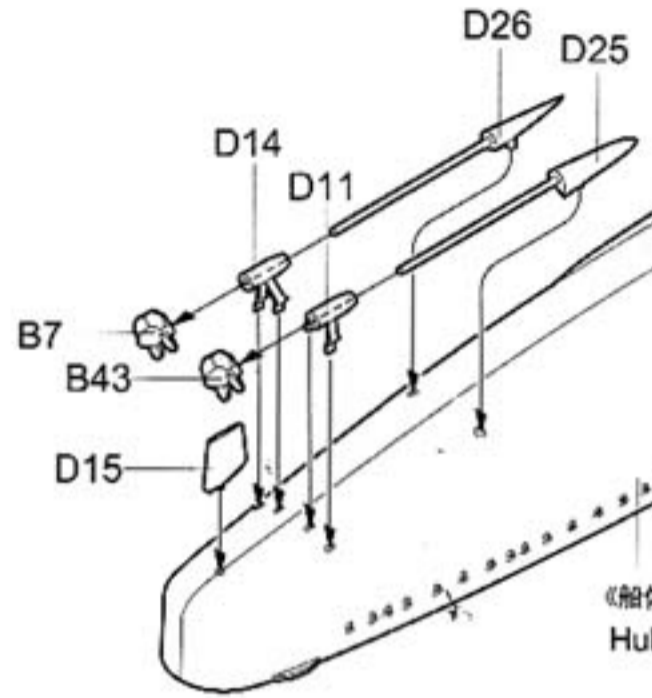
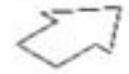
1

Ø0.7 钻孔
Make holes



E1

《舰首》
BOW



《船体》
Hull

C6

E1

《船体》
Hull

D1

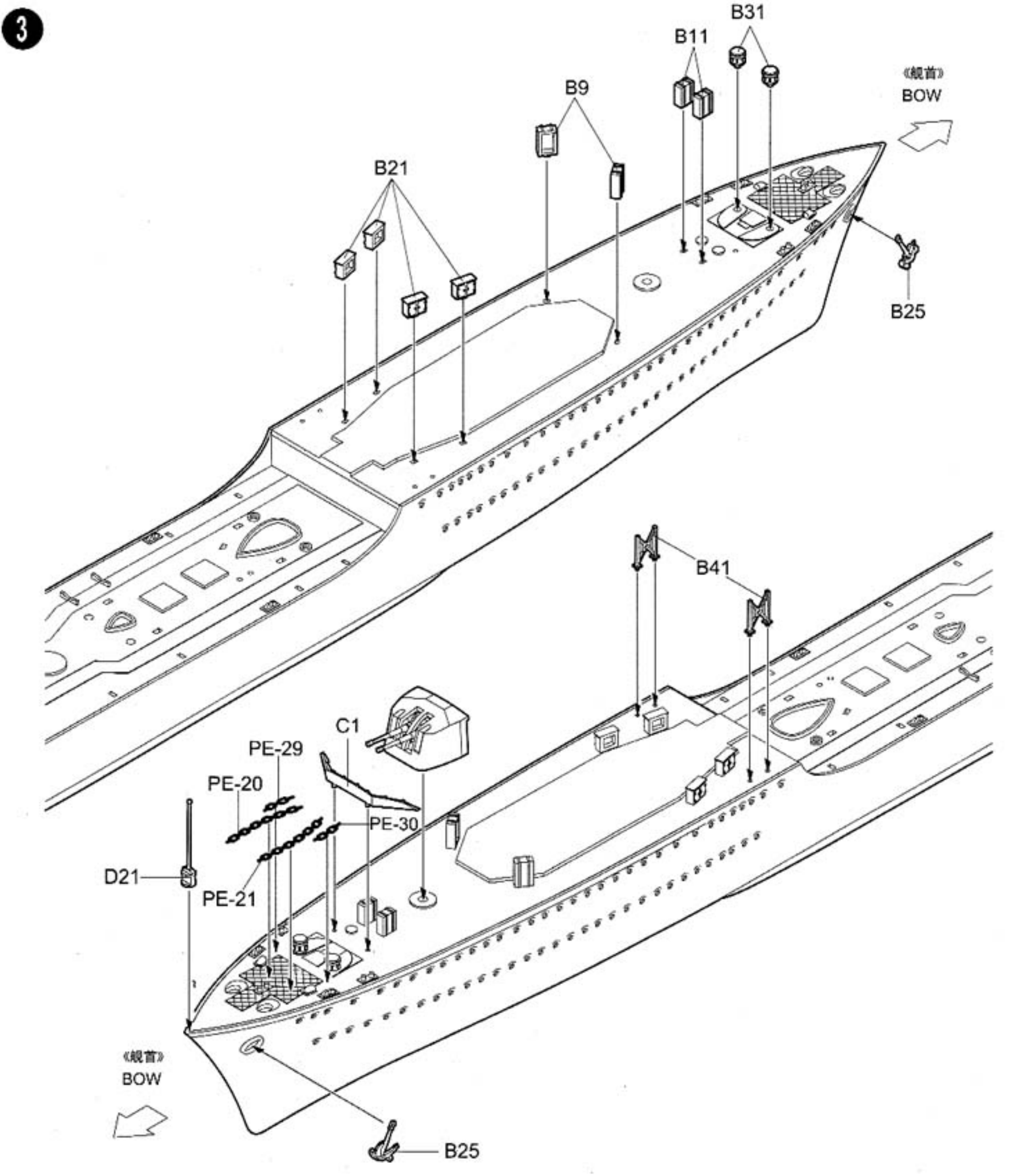
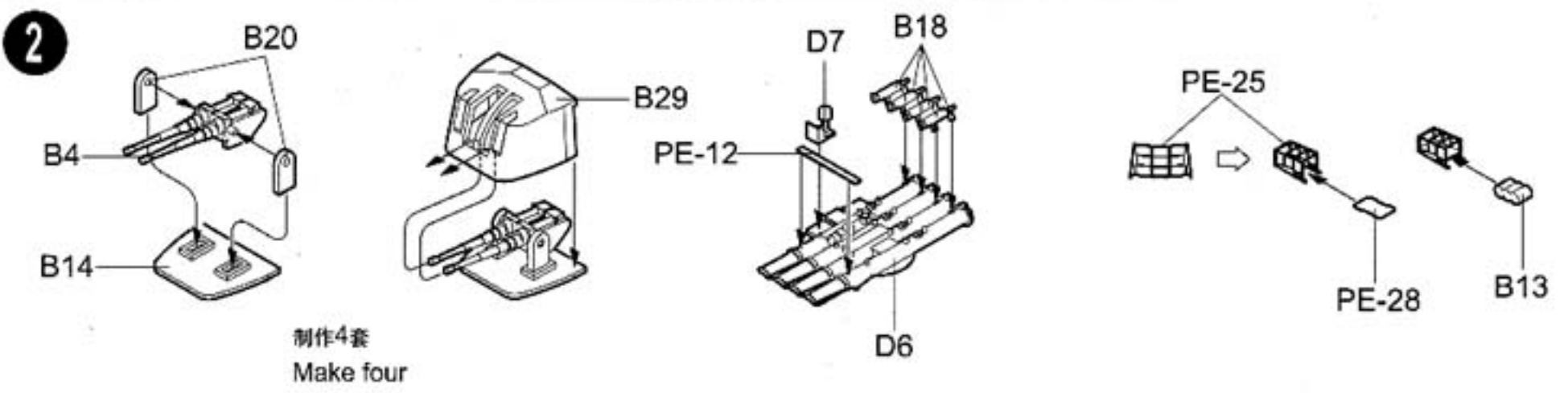
《舰首》
BOW

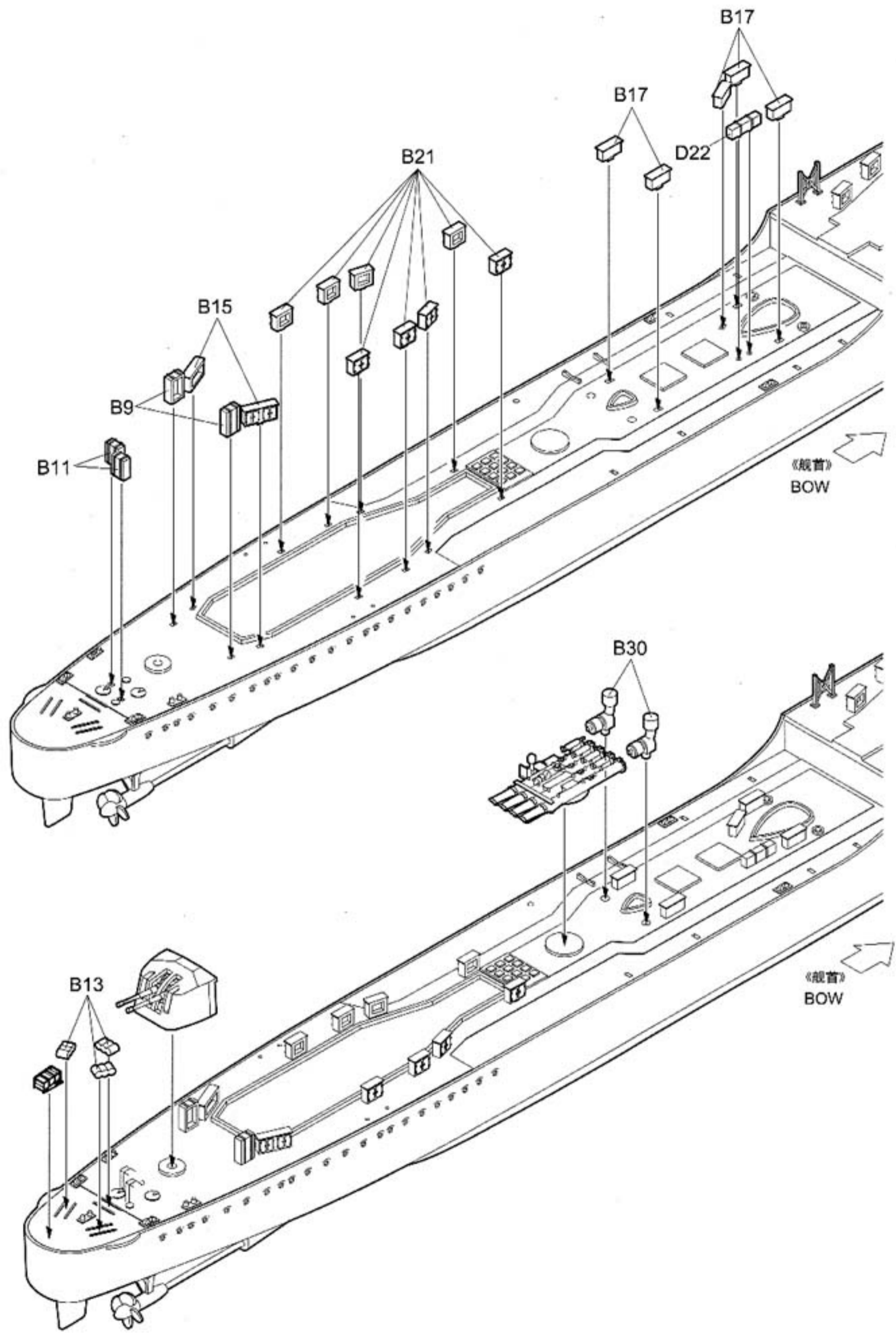


E5

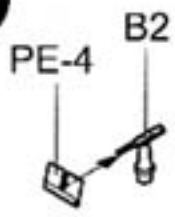
《座架》2
Stand 2

《座架》1
Stand 1

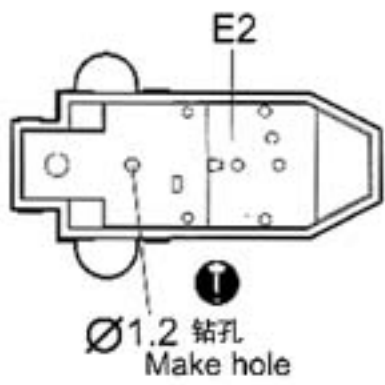




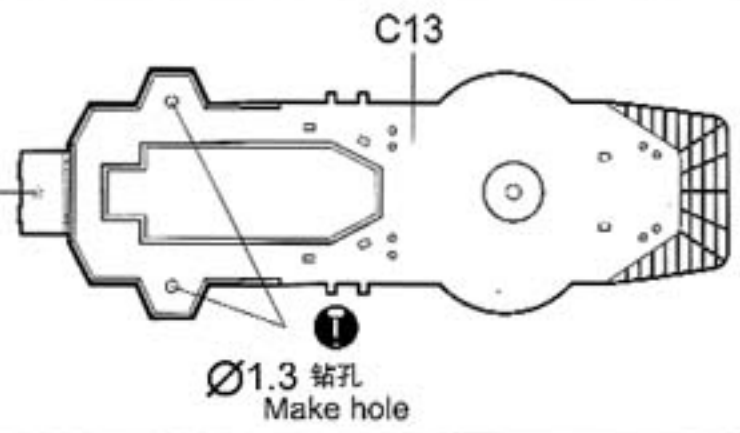
5



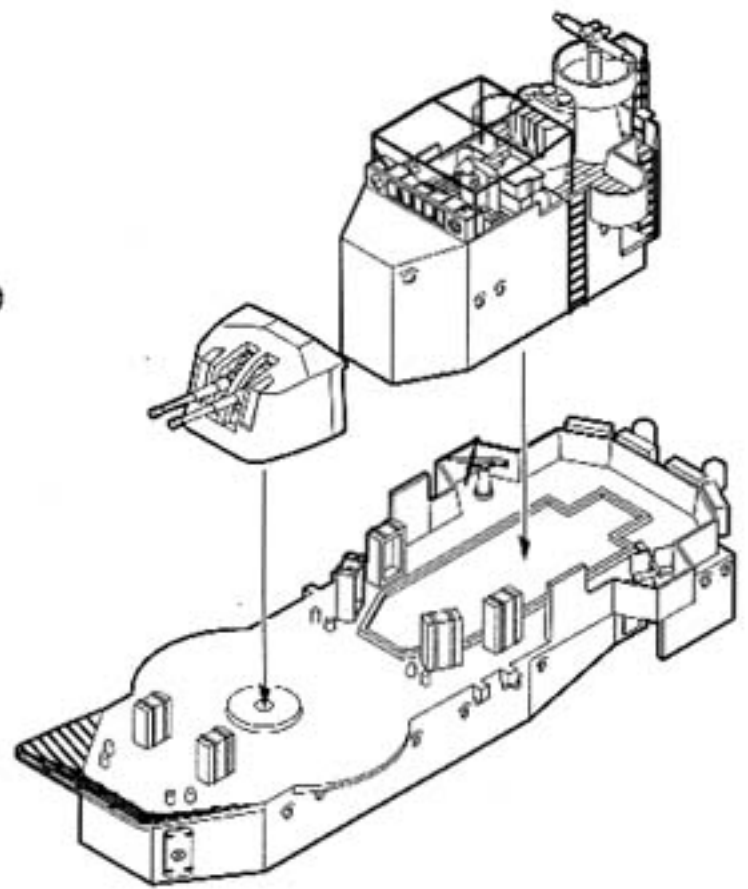
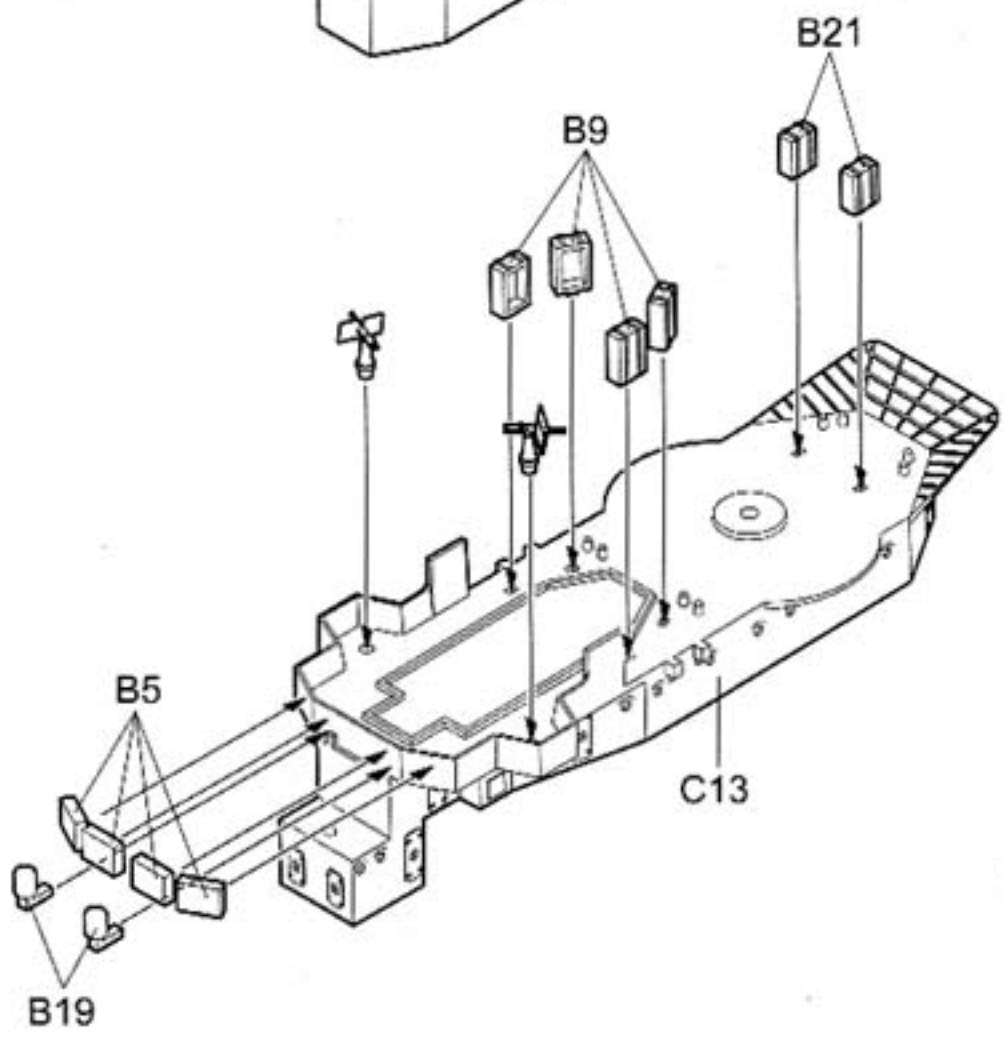
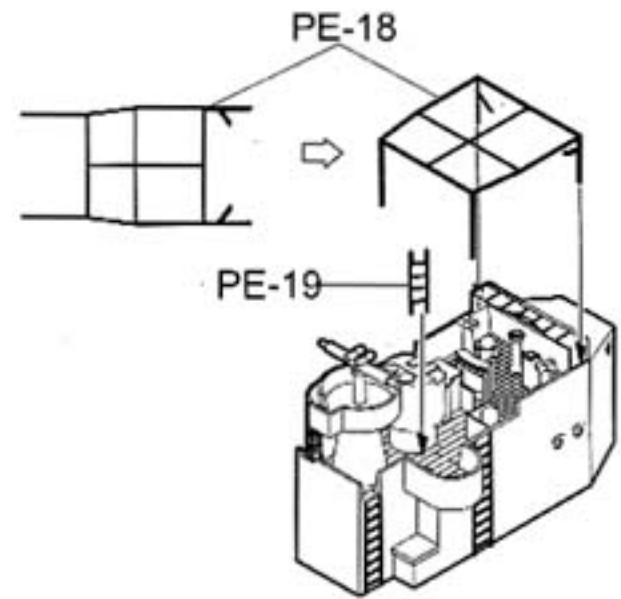
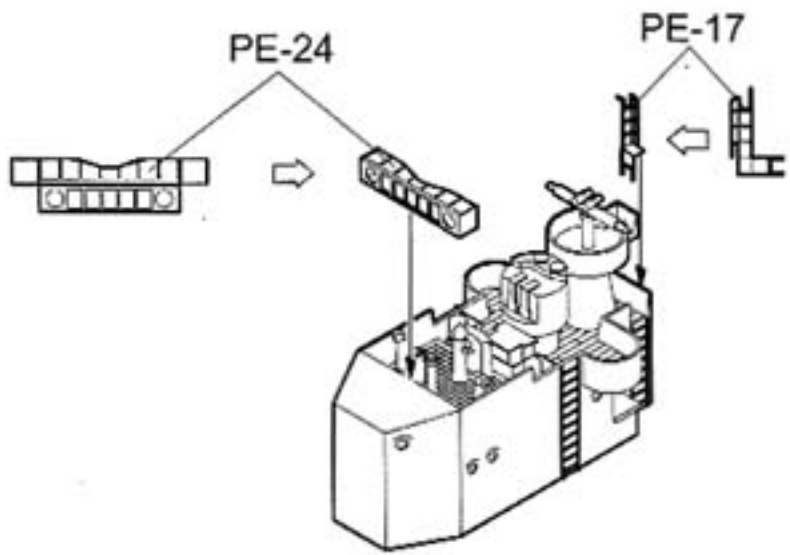
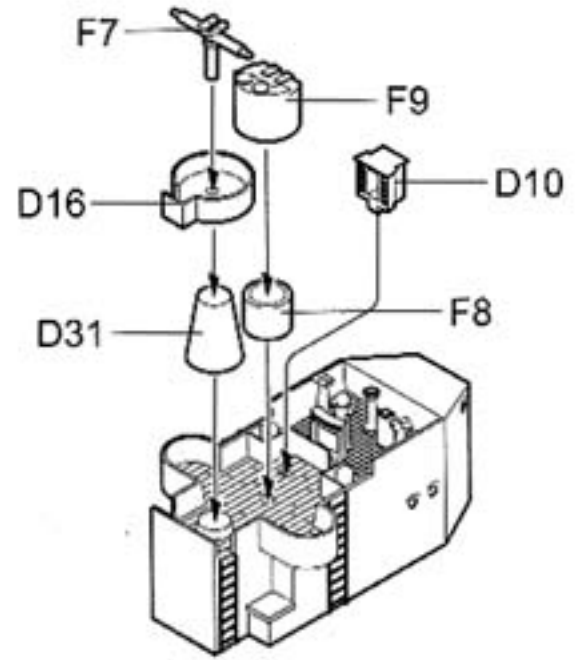
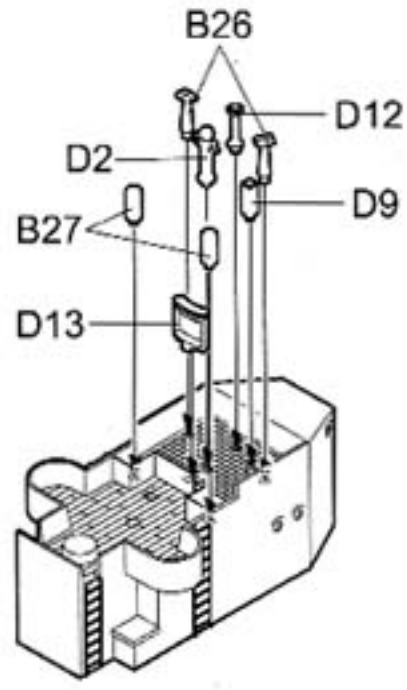
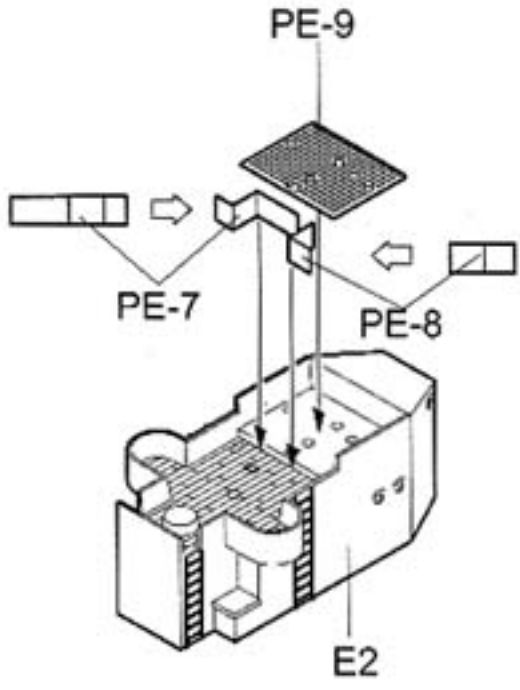
制作2套
Make two



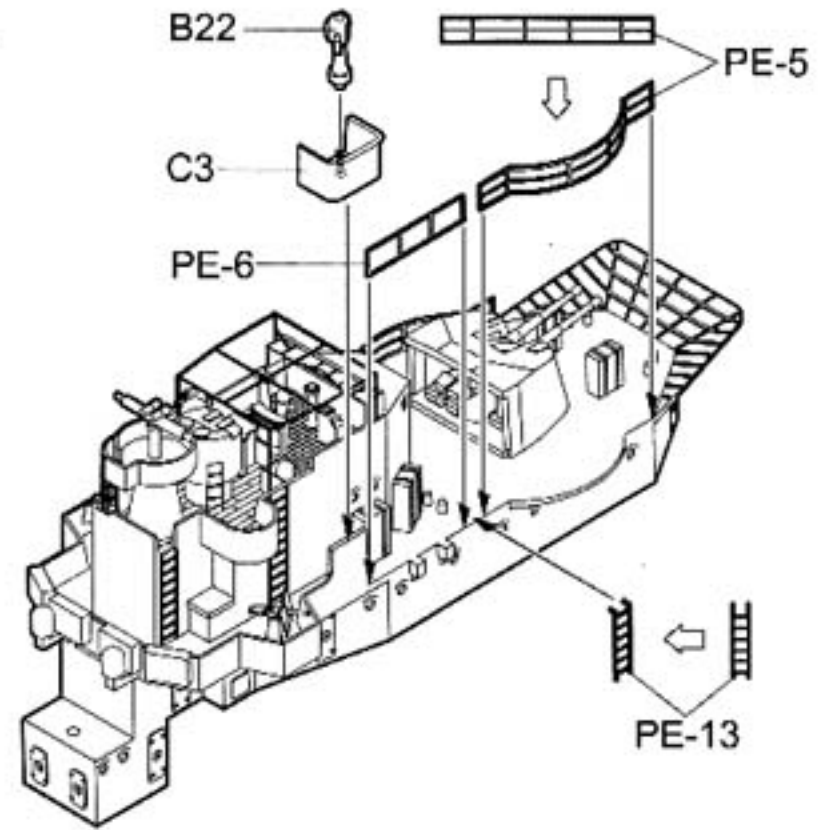
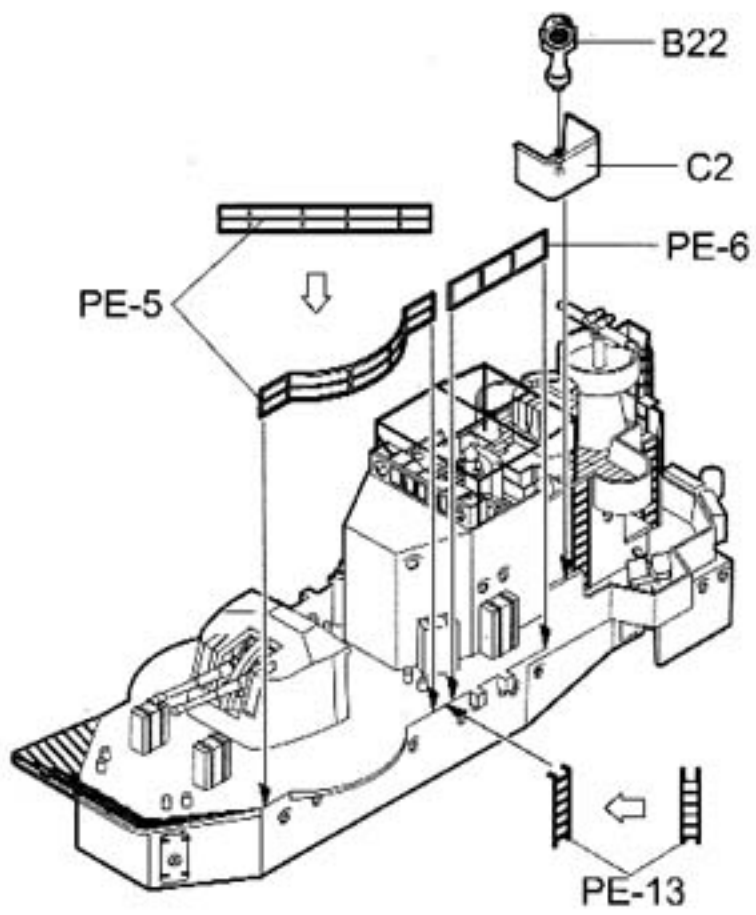
Ø1.1 钻孔
Make hole



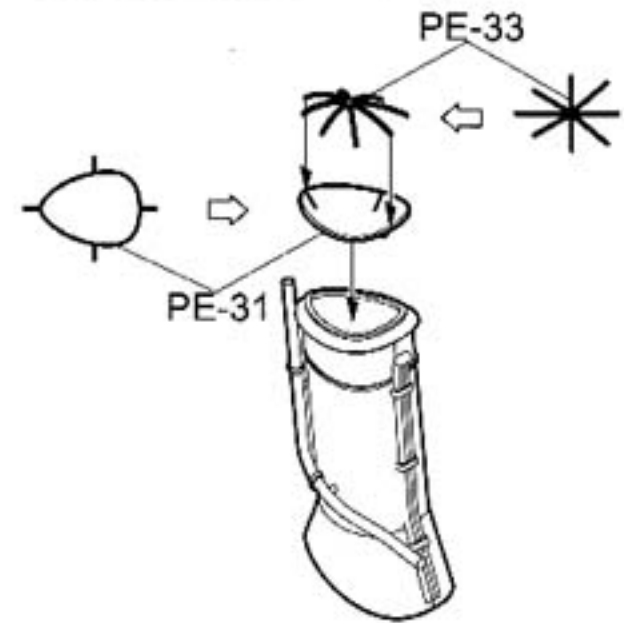
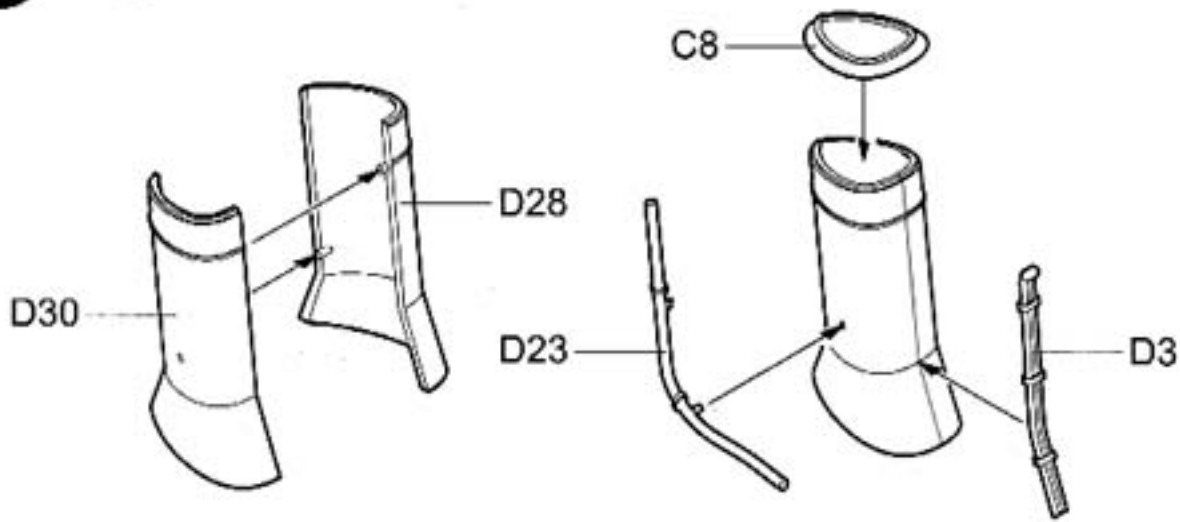
6



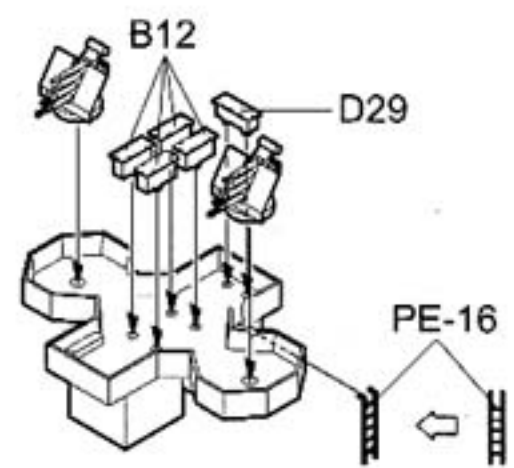
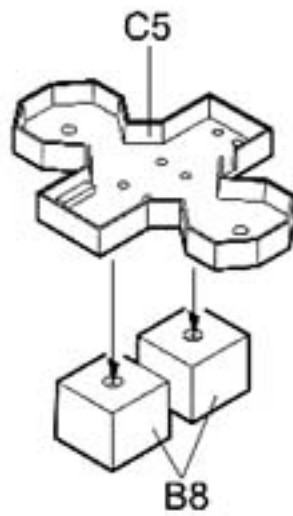
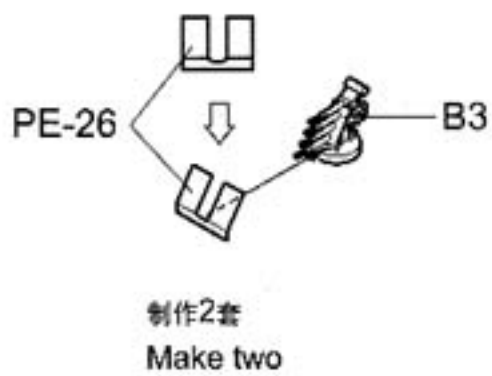
7



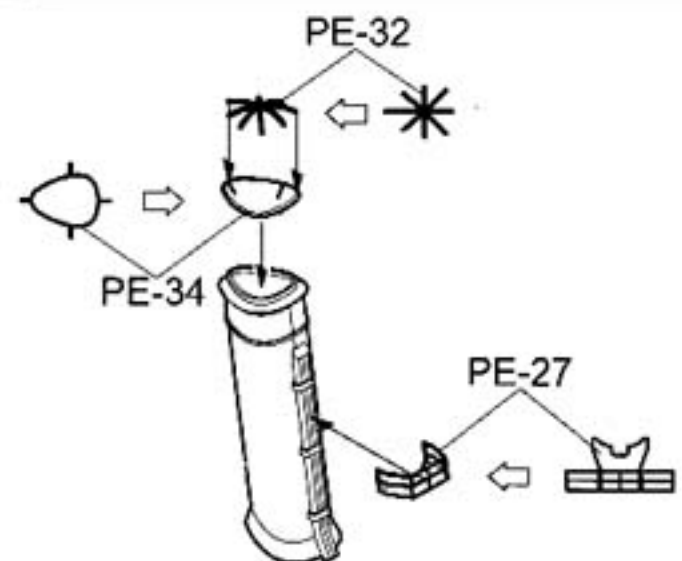
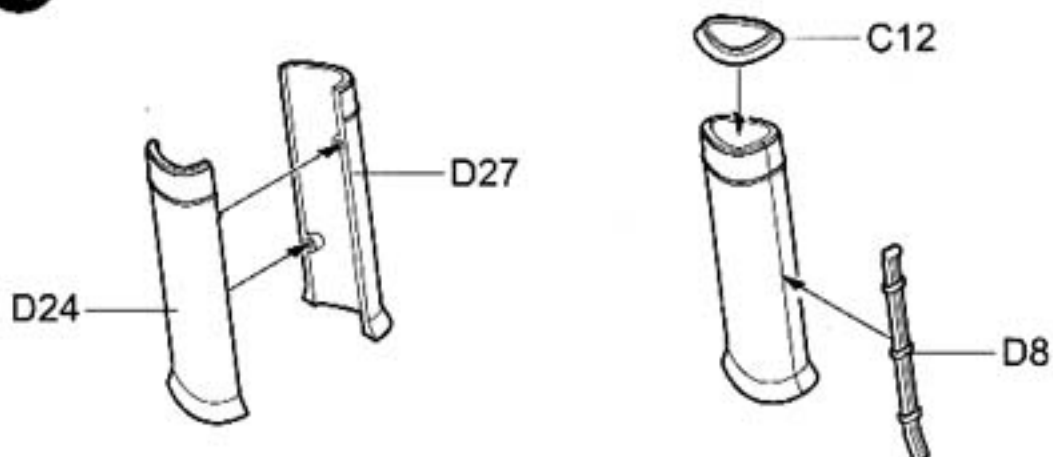
8



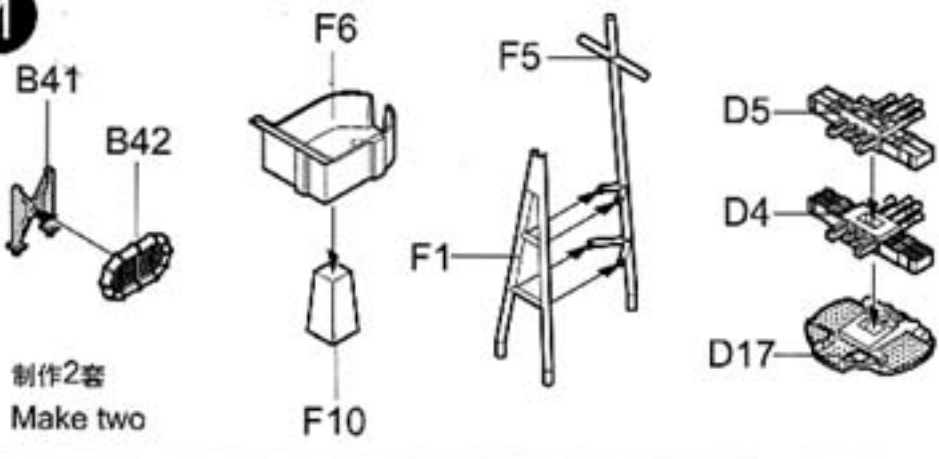
9



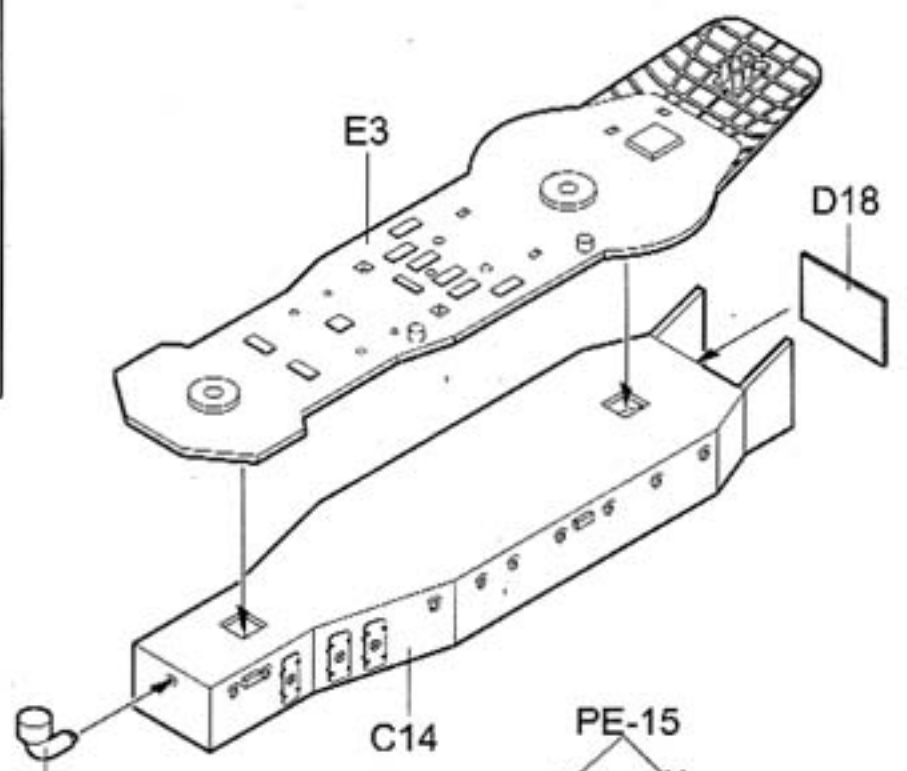
10



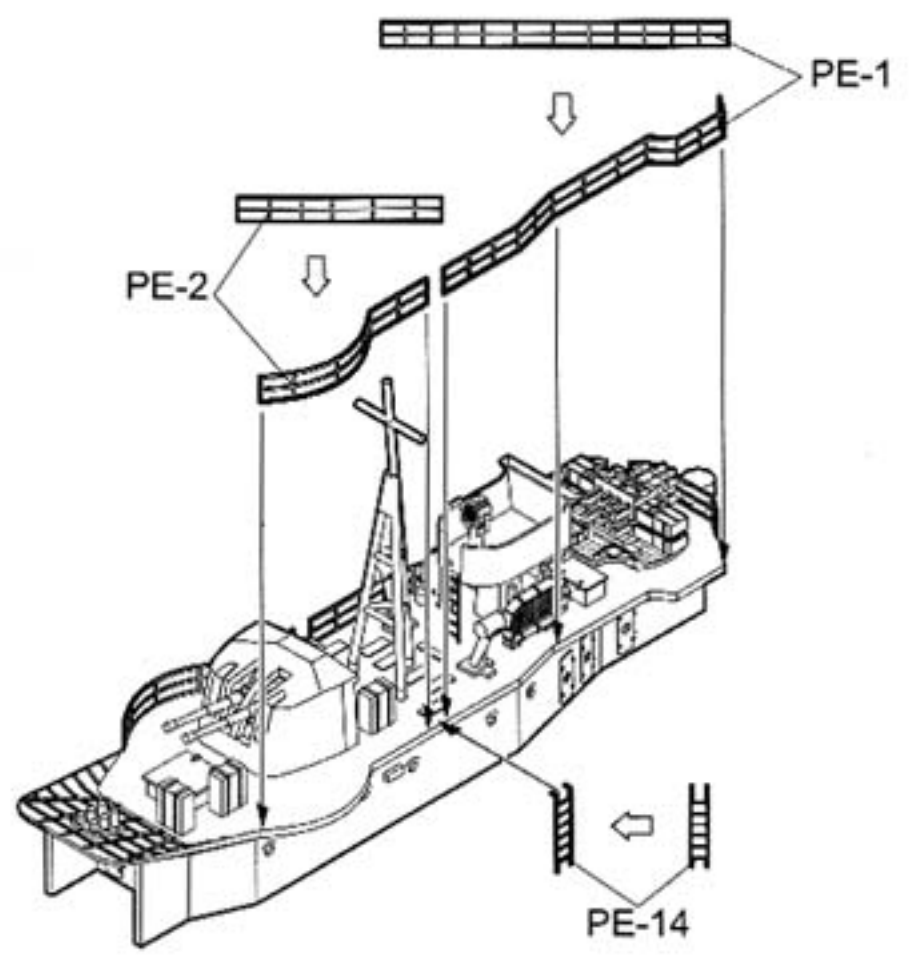
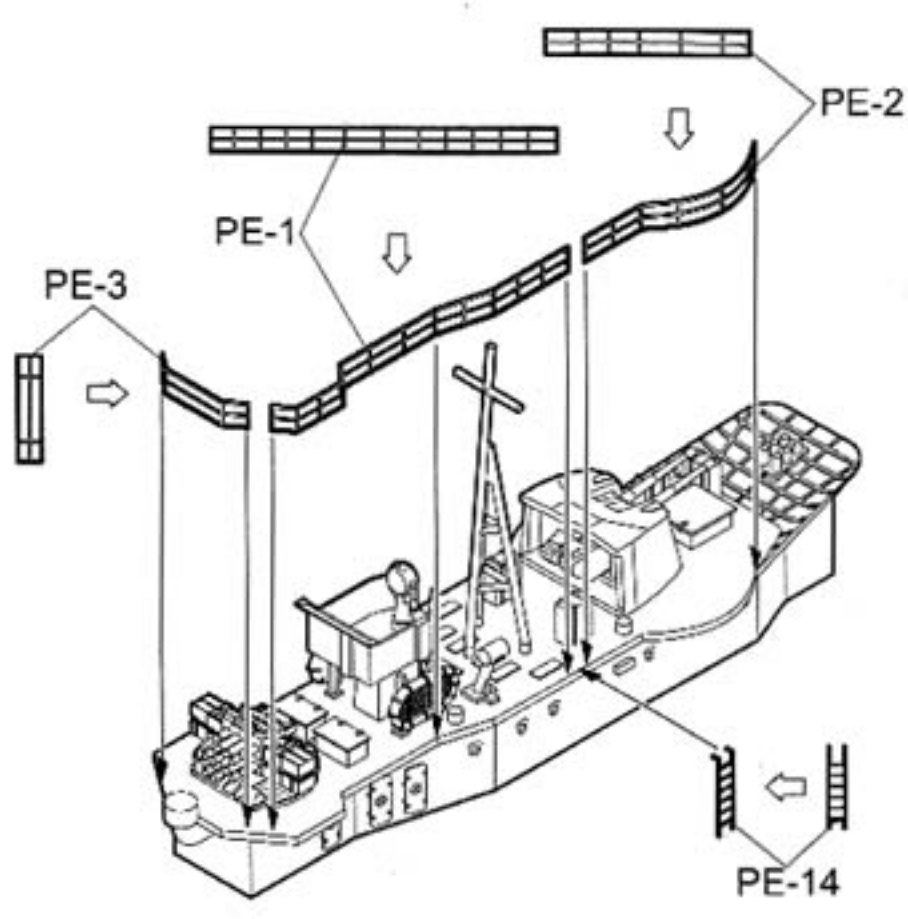
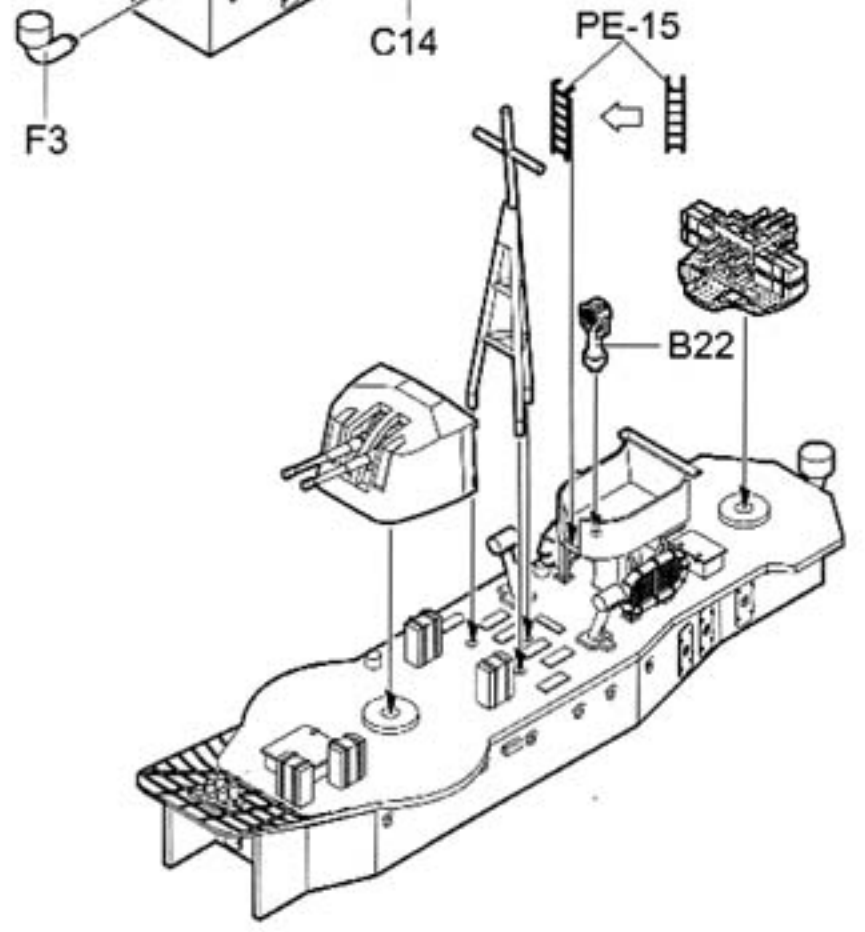
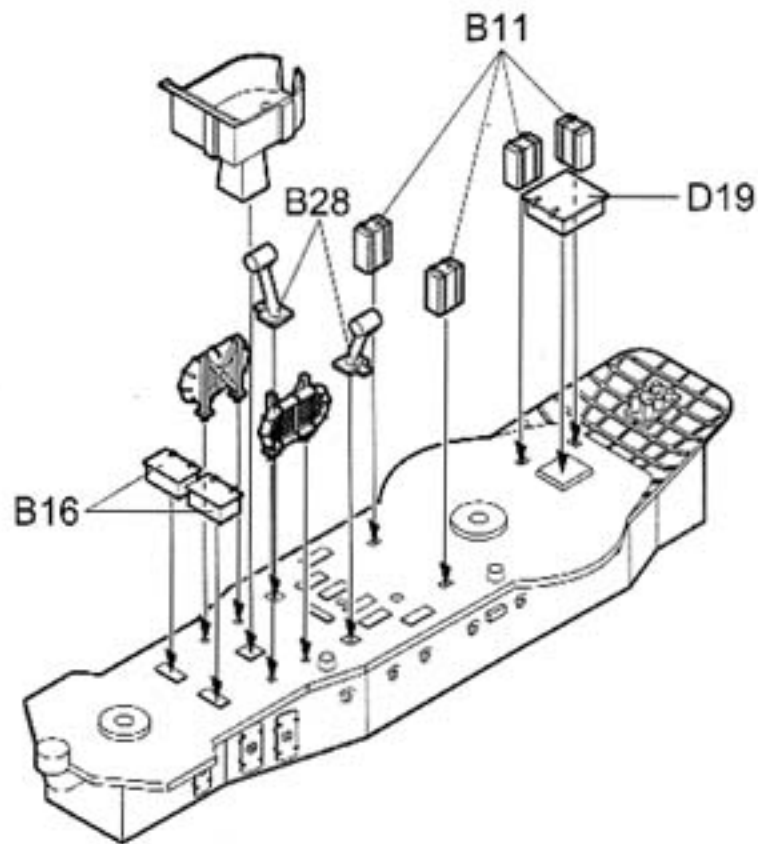
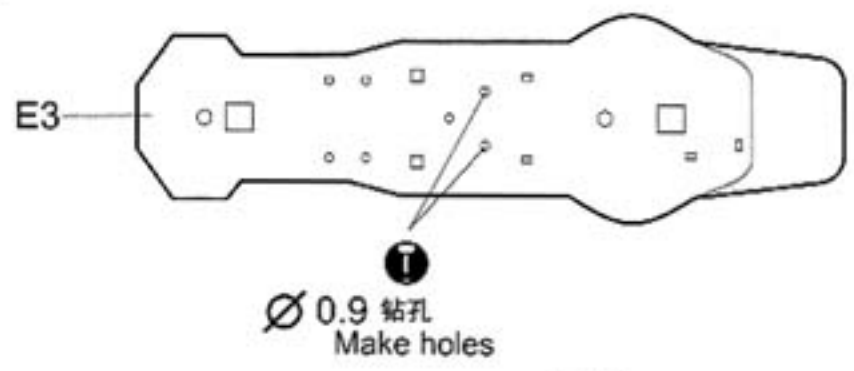
11

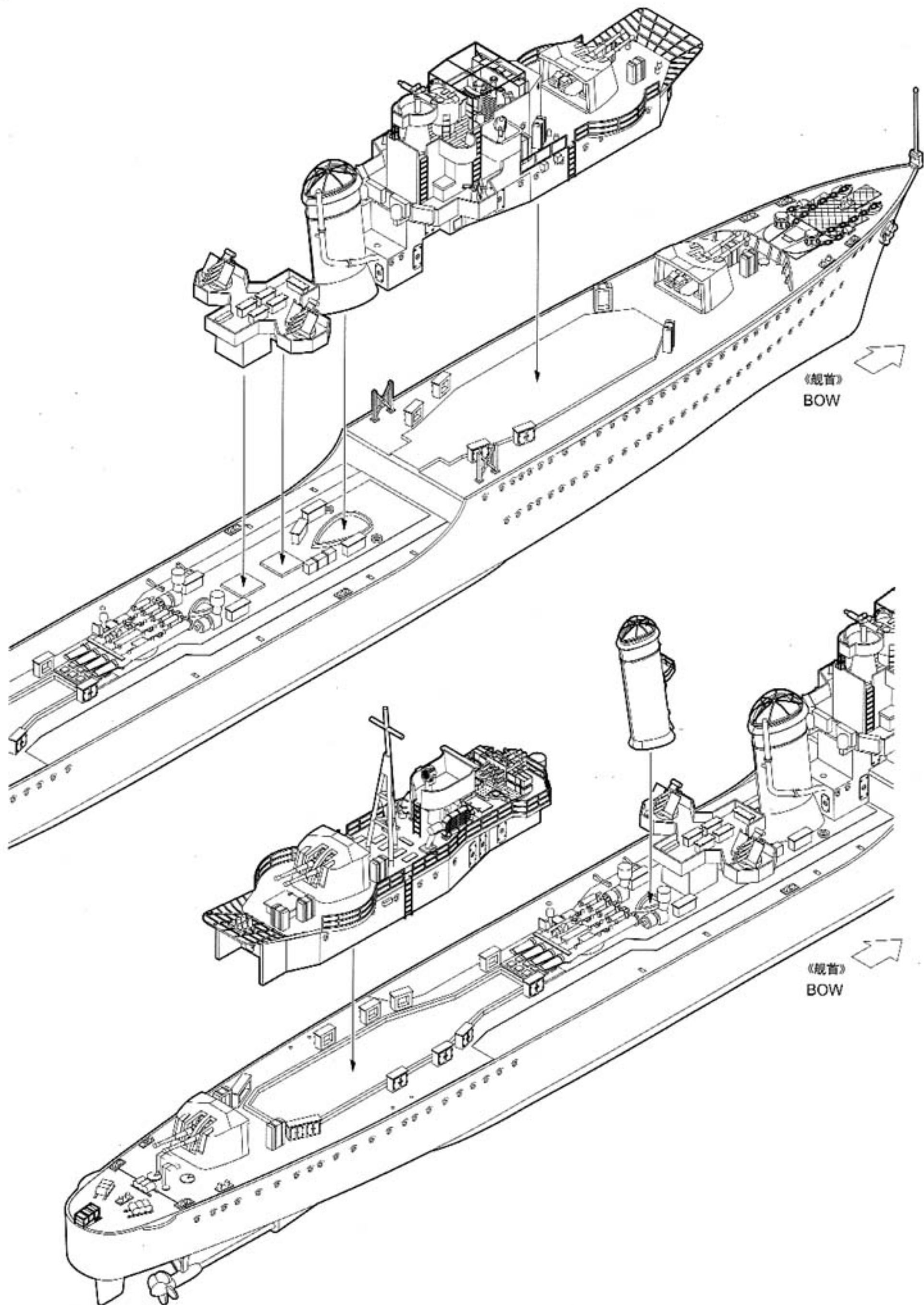


制作2套
Make two

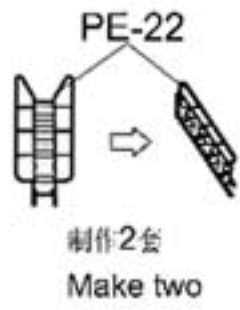
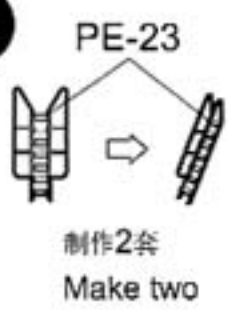


12

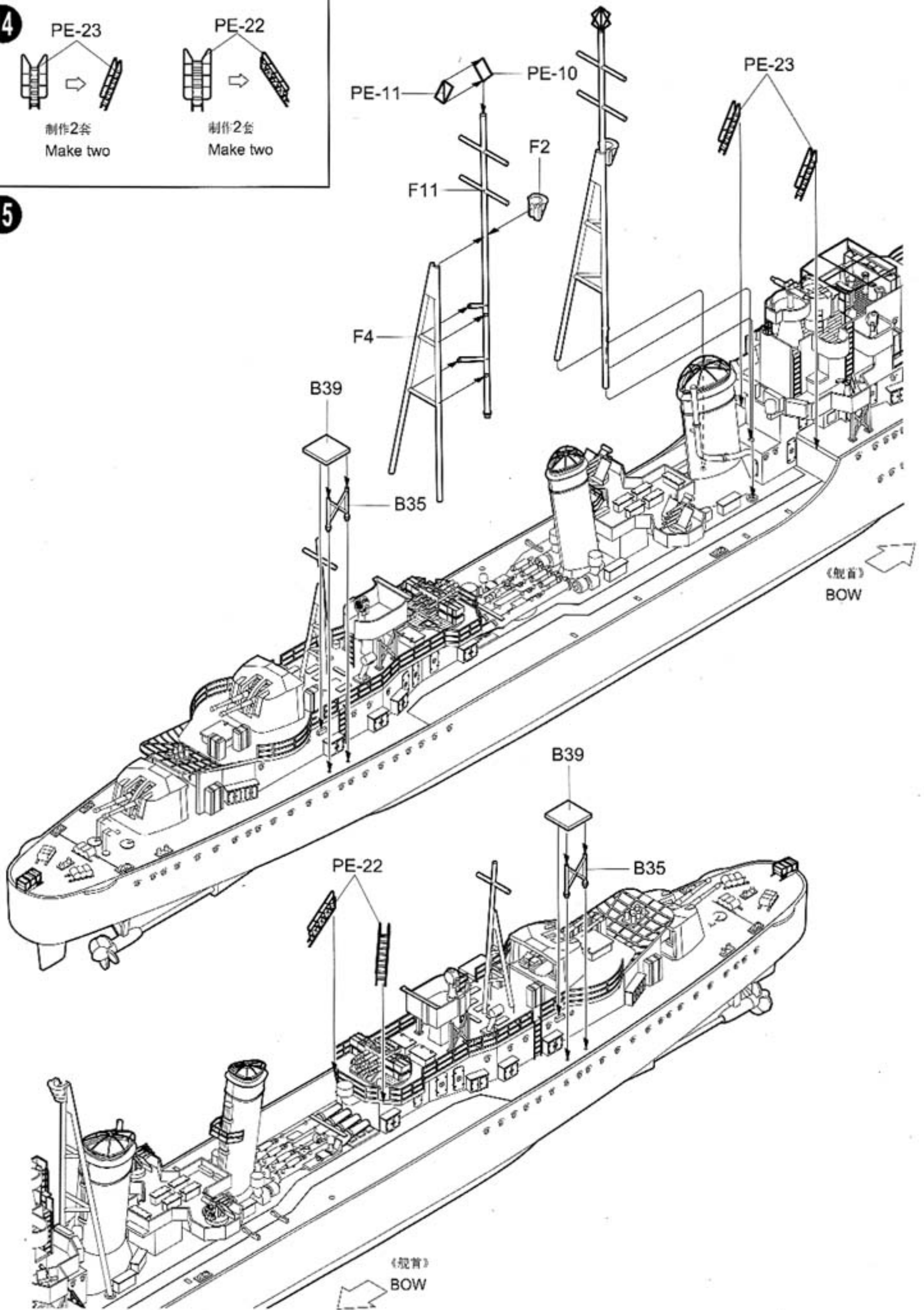




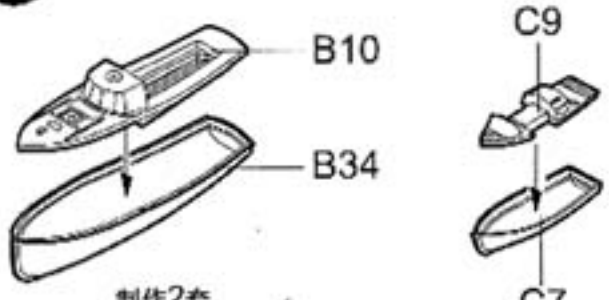
14



15

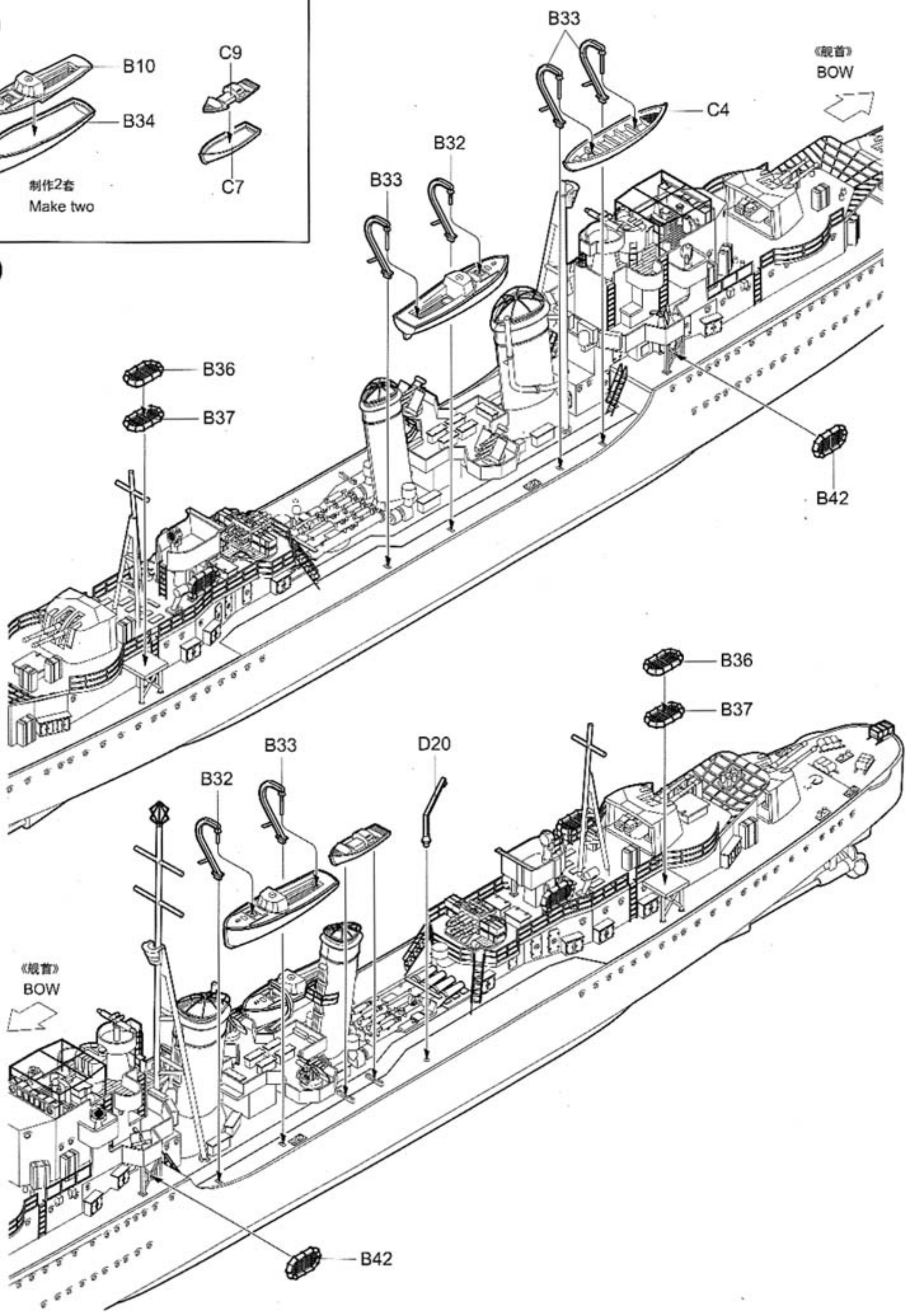


16



制作2套
Make two

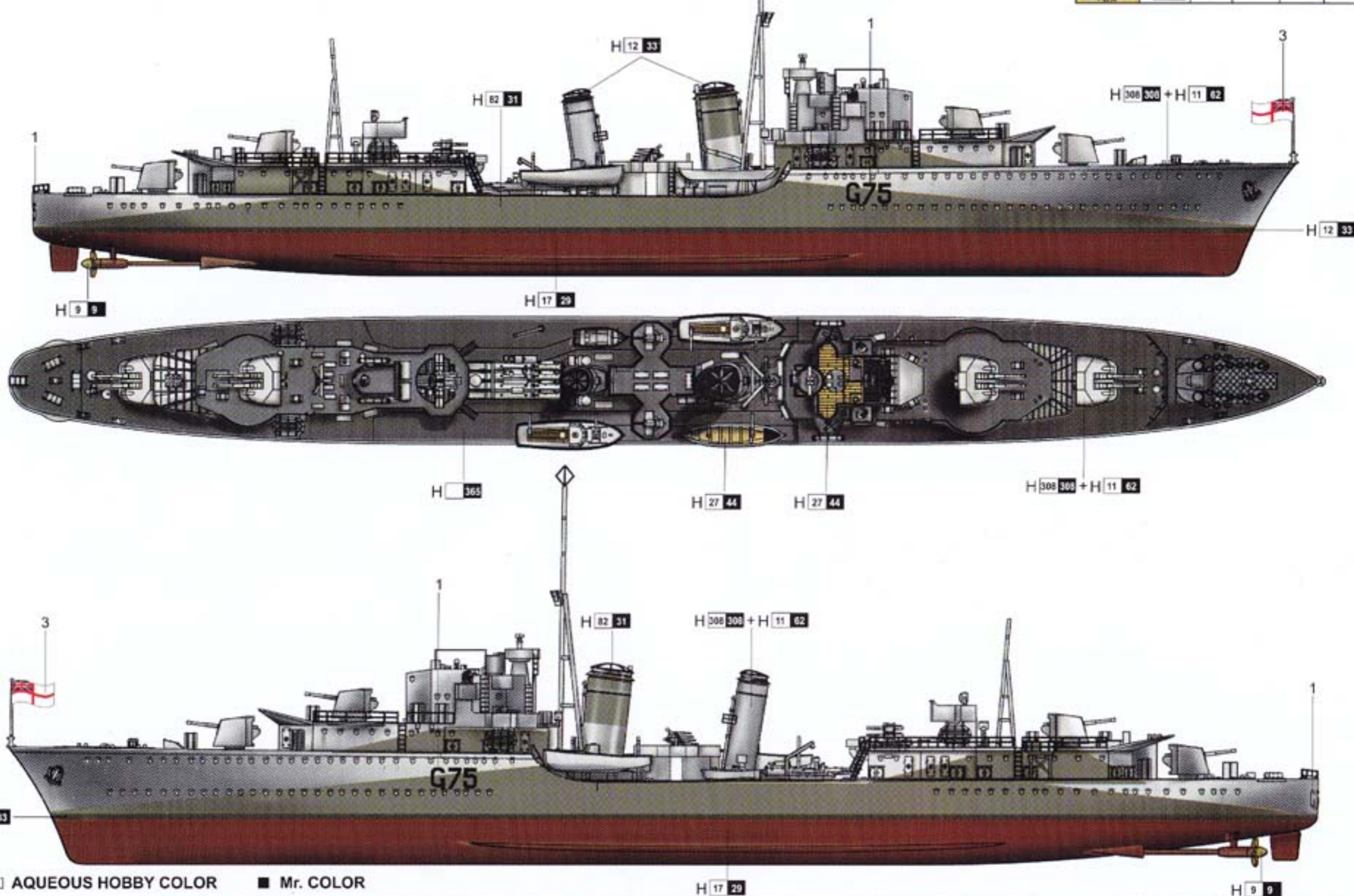
17



涂装同标贴指示 Painting & Marking guide

PAINT REFERENCE COLOUR

Color	Mr.Hobby	Vallejo	Model Master	Tamiya	Humbrol	Color	Mr.Hobby	Vallejo	Model Master	Tamiya	Humbrol
Gold 金色	H 9 9	678	1744	X12	10	Black 黑色	H 27 44	—	—	XF80	—
HLB Red HLB红	H 17 29	903	—	XF9	177	Dark Gray (1) 深灰(1)	H 82 31	—	—	XF53	—
Flat Black 平黑	H 12 33	900	1740	XF1	33	Deck Blue 甲板蓝	H 365	—	—	—	—
						Tan 褐色	H 27 44	981	—	—	9



H □ AQUEOUS HOBBY COLOR ■ Mr. COLOR

H 17 29

H 9 9

G75

G75

G75

1



2

3



05331 1/350 HMS Eskimo Destroyer 1941