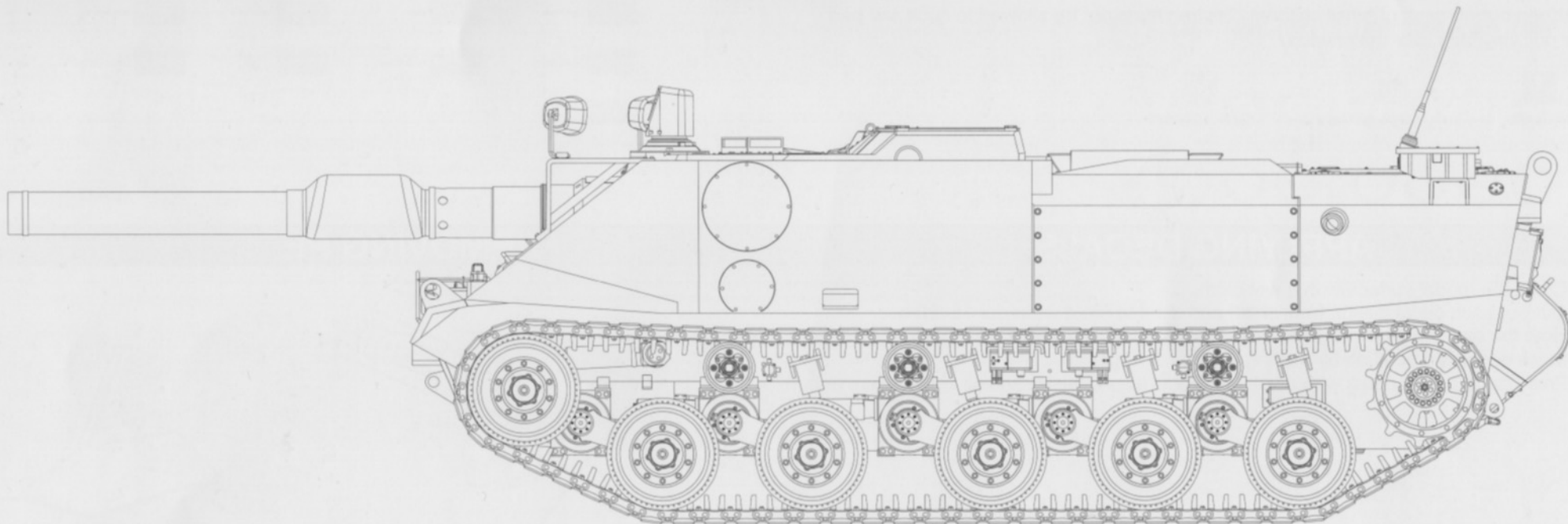


VT 1-2



The Versuchsträger 1-2 were two German prototype twin-gun turretless main battle tanks. Since the early 1970s several West German companies had been working on conceptual designs for a successor to the Leopard 1. Although the test program concluded that a twin-gunned turretless tank could be created, it ultimately proved to be tactically impractical.

First the VT 1-1 was built in 1974 by Maschinenbau Kiel (MaK). The following year they produced the VT 1-2. For further testing of the concept of a tank with two main guns, five Gefechtsfeldversuchsträger (GVT, 'battlefield test-beds') were designed and built in 1975 and 1976.

The VT 1-1 was based on a shortened hull of the cancelled MBT-70 tank. Since the tank didn't have autoloaders, a crew of four was required to operate it. The VT 1-2 featured a turbocharged engine. This tank had a three-man crew seated at the front, with the driver situated between commander and gunner. The VT 1-1 was armed with two manually loaded 105 mm rifled guns, and the VT 1-2 was armed with two 120 mm smoothbore guns equipped with 6-round automatic loaders.

READ BEFORE ASSEMBLY

CAUTION

- Read carefully and fully understand the instructions before commencing assembly. A supervising adult should also read the instructions if a child assembles the model.
- When assembling this kit, tools including knives used. Extra care should be taken to avoid personal injury.
- Keep out of reach of small children. Children must not be allowed to suck any part, or pull vinyl bag over their heads.



Be Careful



Instant Glue for Metal



Do Not Cement

PAINTS REQUIRED

Color info and profiles by Mig Jimenez

A.MIG-0002 RAL 6003
OLIVGRON OPT2
FS 34082

A.MIG-0004 Washable
White Camo

A.MIG-0002 Satin Black

A.MIG-0003 Rubber & Tires

A.MIG-0005 Dark Tracks

A.MIG-0048 Black

A.MIG-0084 Nato Green

A.MIG-0085 Nato Brown

A.MIG-0003 Crystal Red

A.MIG-0098 Crystal Glass

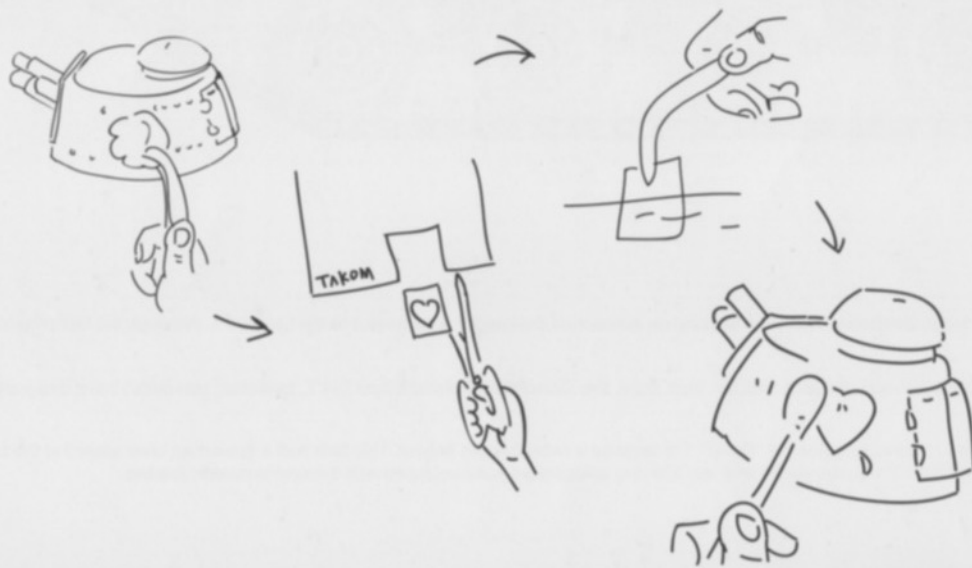
A.MIG-0098 Crystal Periscope
Green

A.MIG-0097 Crystal Orange

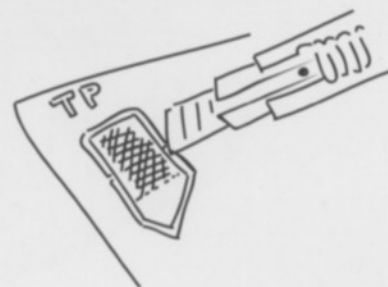
A.MIG-0006 Crystal
Black Blue

APPLYING DECALS

1. Clean the model surface with a wet cloth.
2. Cut out each decal design from sheet, and dip it in tepid water for 15~20 sec.
3. Hold the backing sheet edge and slide decal onto the model.
4. Move decal into position by wetting decal with finger.
5. Press decal gently down with a soft cloth until excess water and air bubbles are gone.



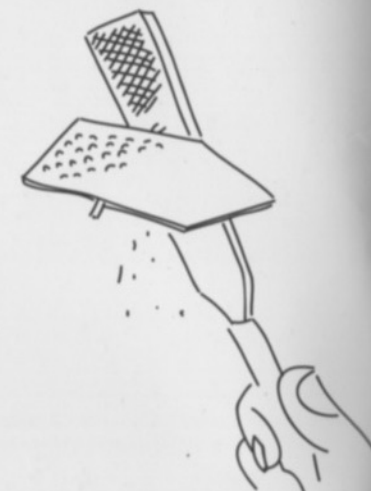
REMOVING PE



Be careful not to hurt when removing PE parts.

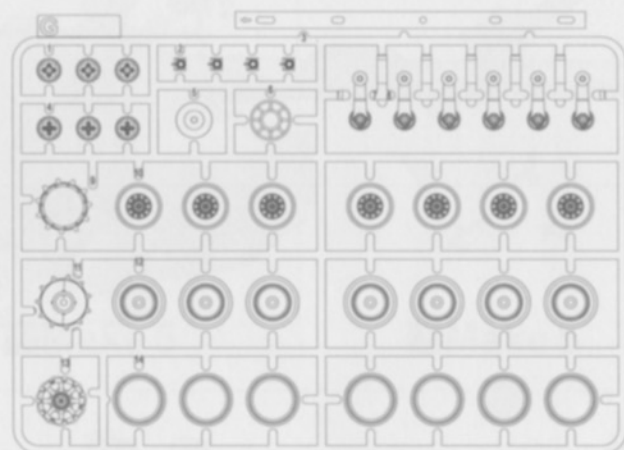
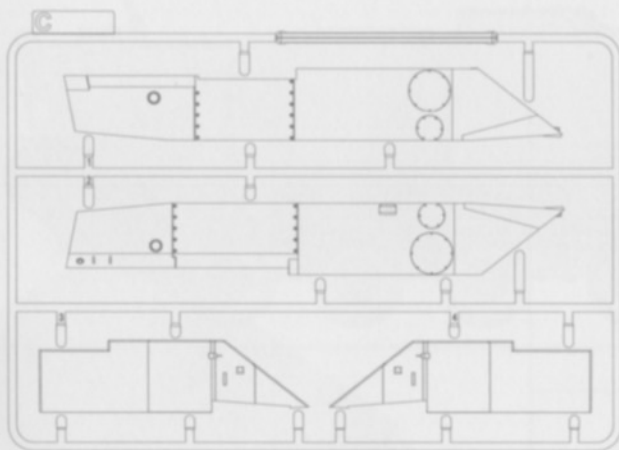
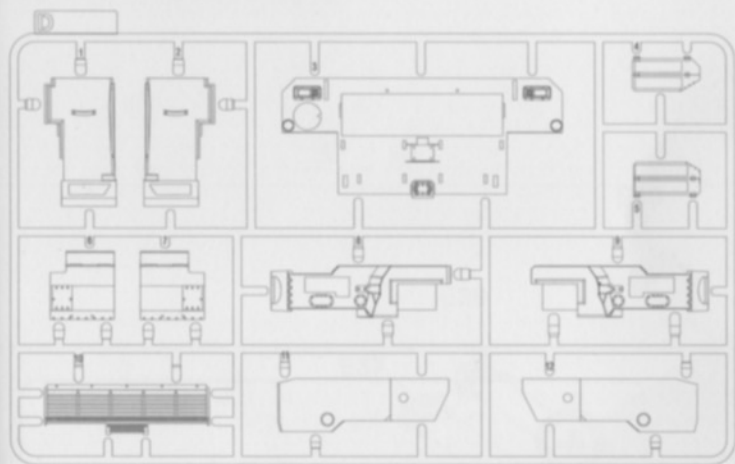


Secure using instant glue (not included).

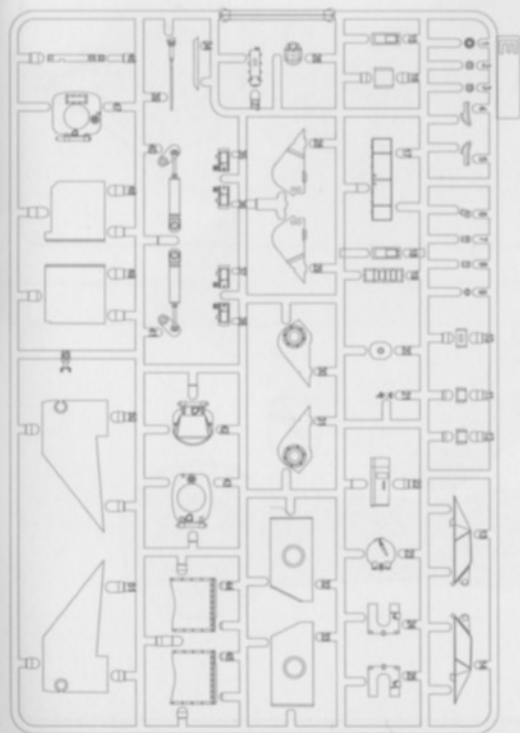


Finish using file.

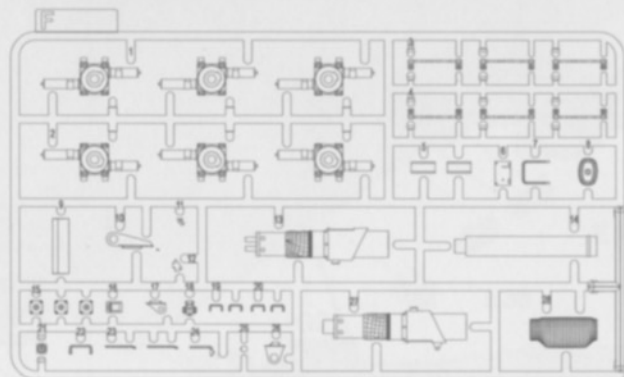
PARTS



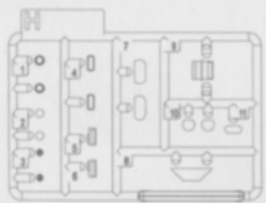
X2



X2



X2



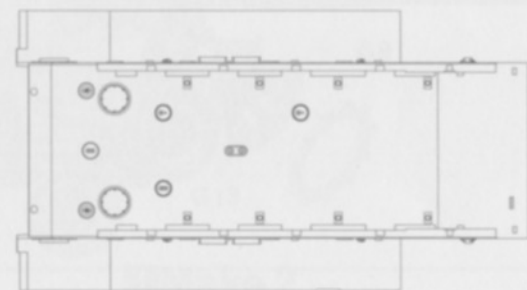
Steel Pins
X2



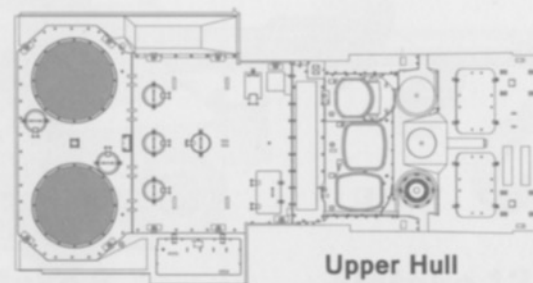
Decal



TP



Lower Hull

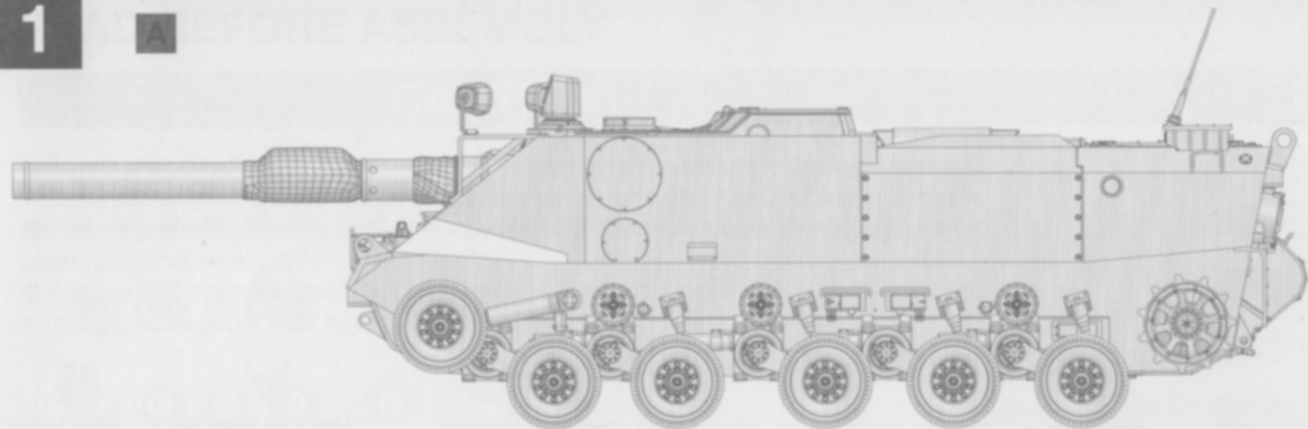


Upper Hull

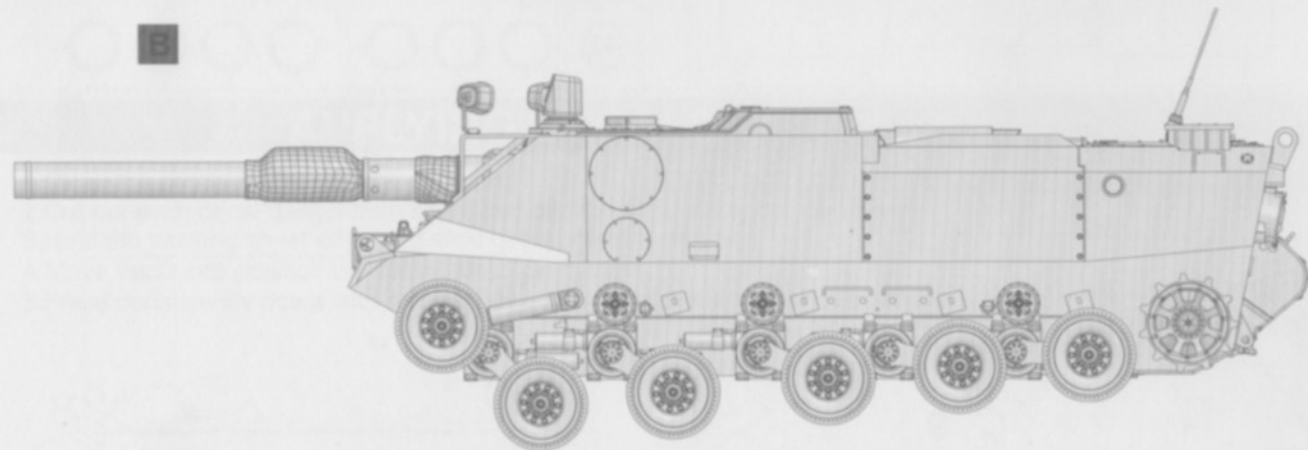
1

A

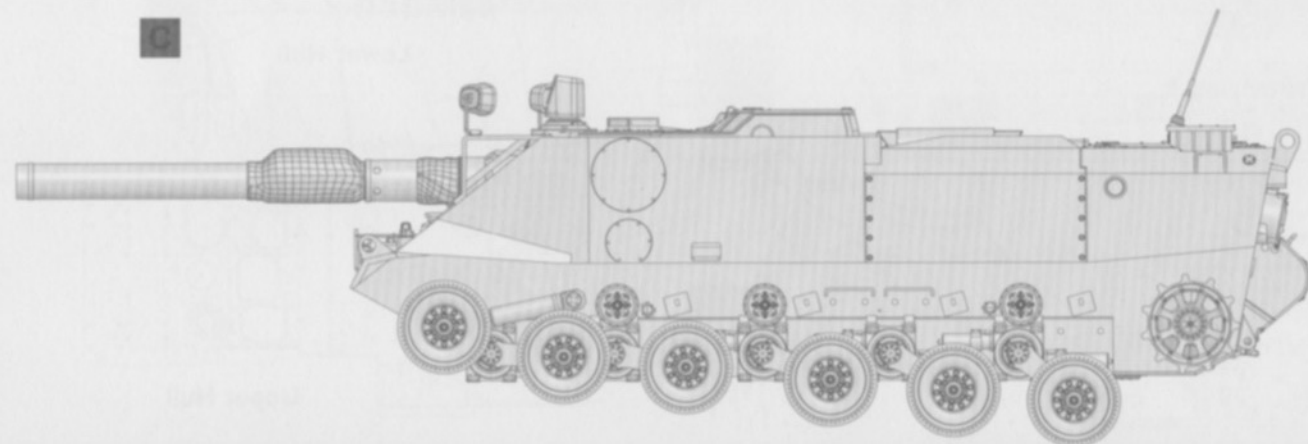
BEFORE ASSEMBLY



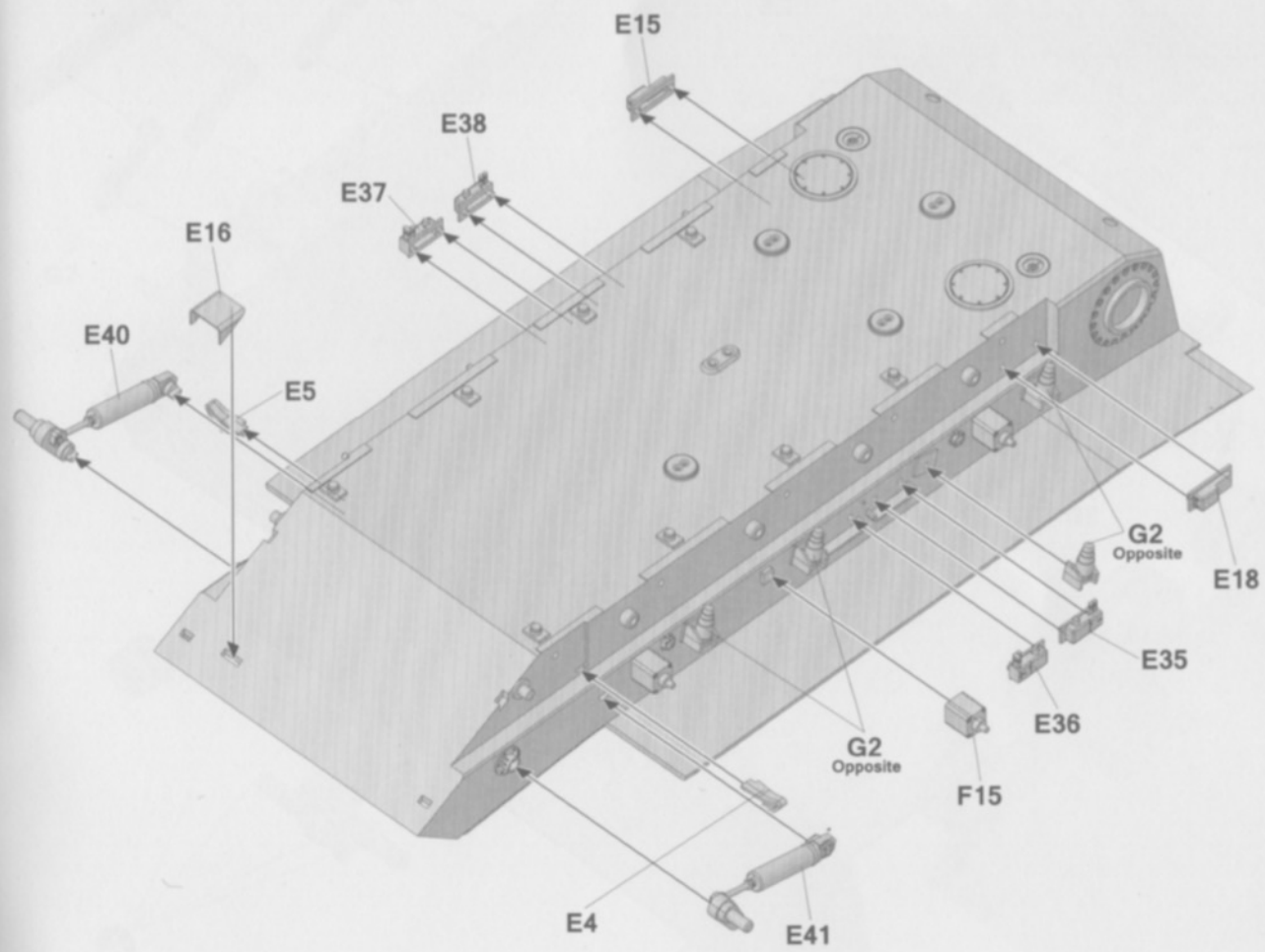
B



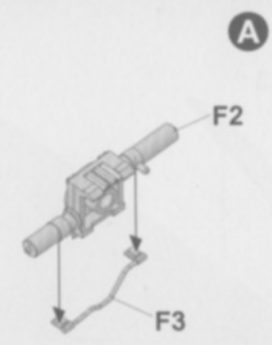
C



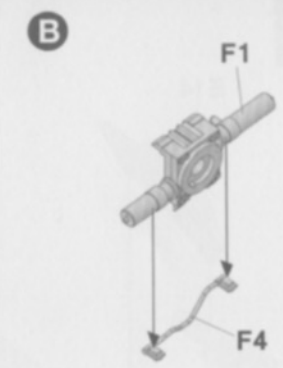
2



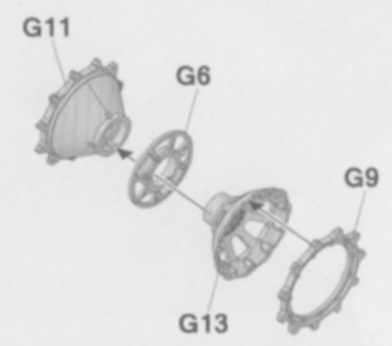
3



! Make 5



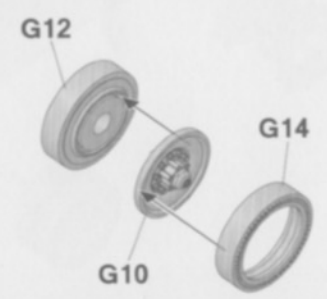
! Make 5



! Make 2

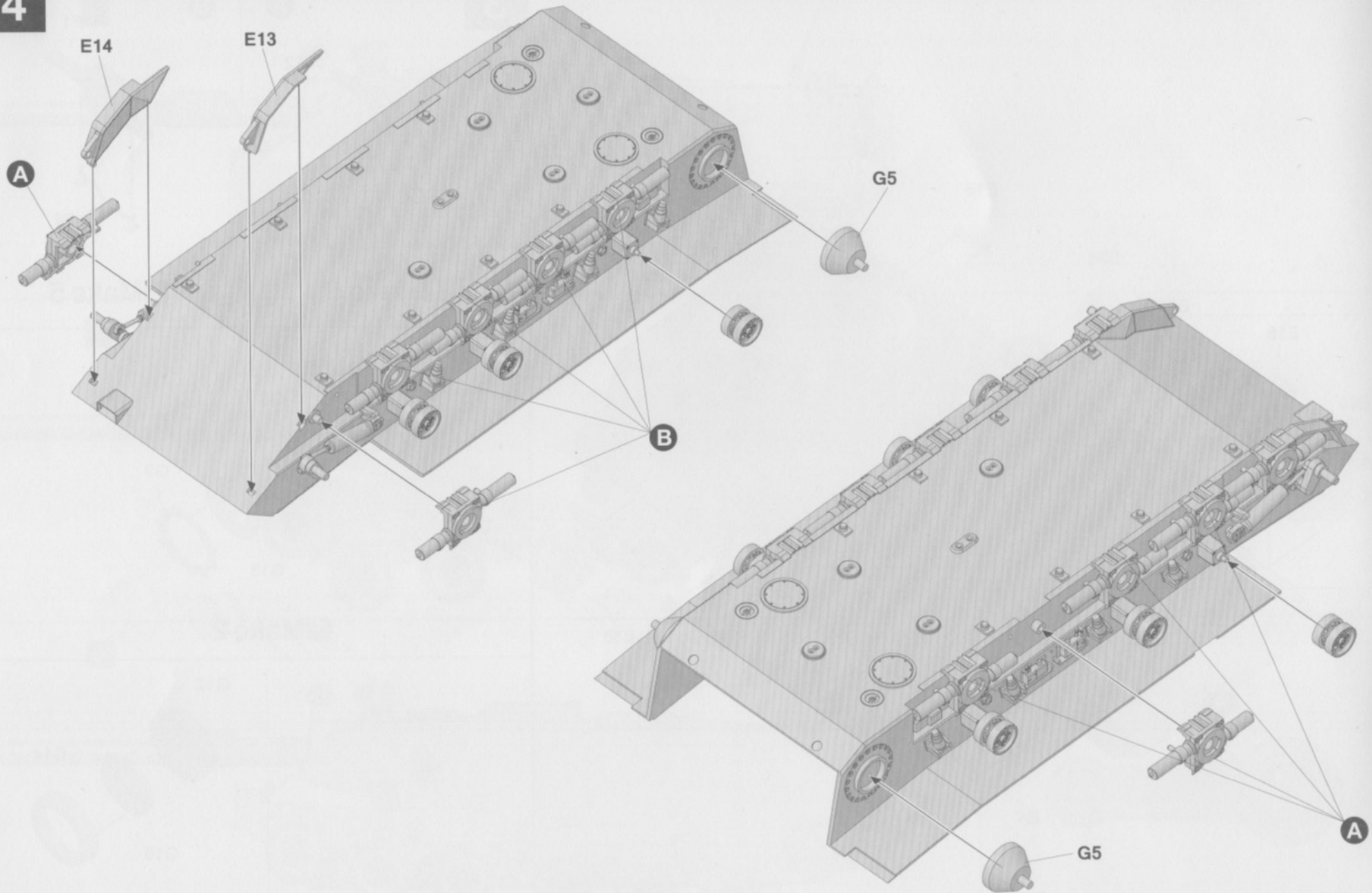


! Make 6

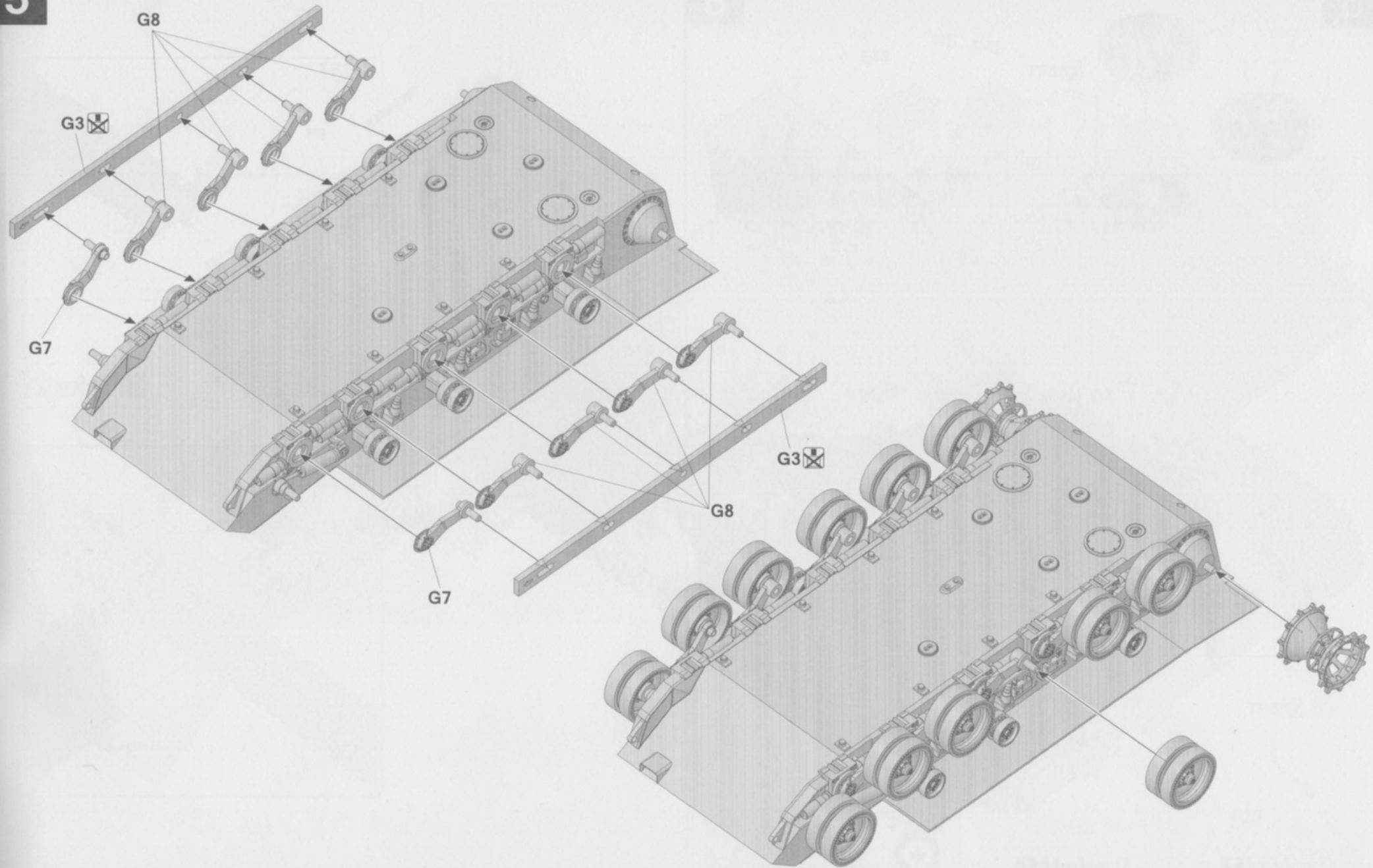


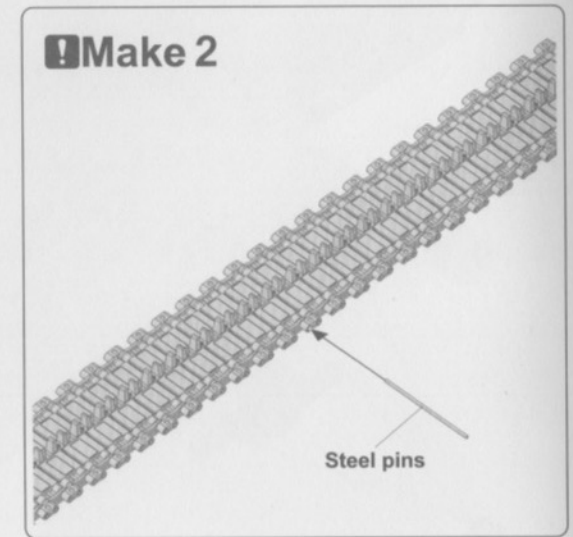
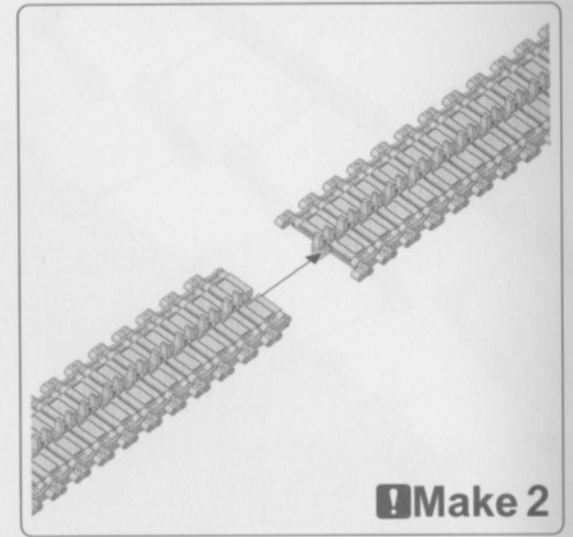
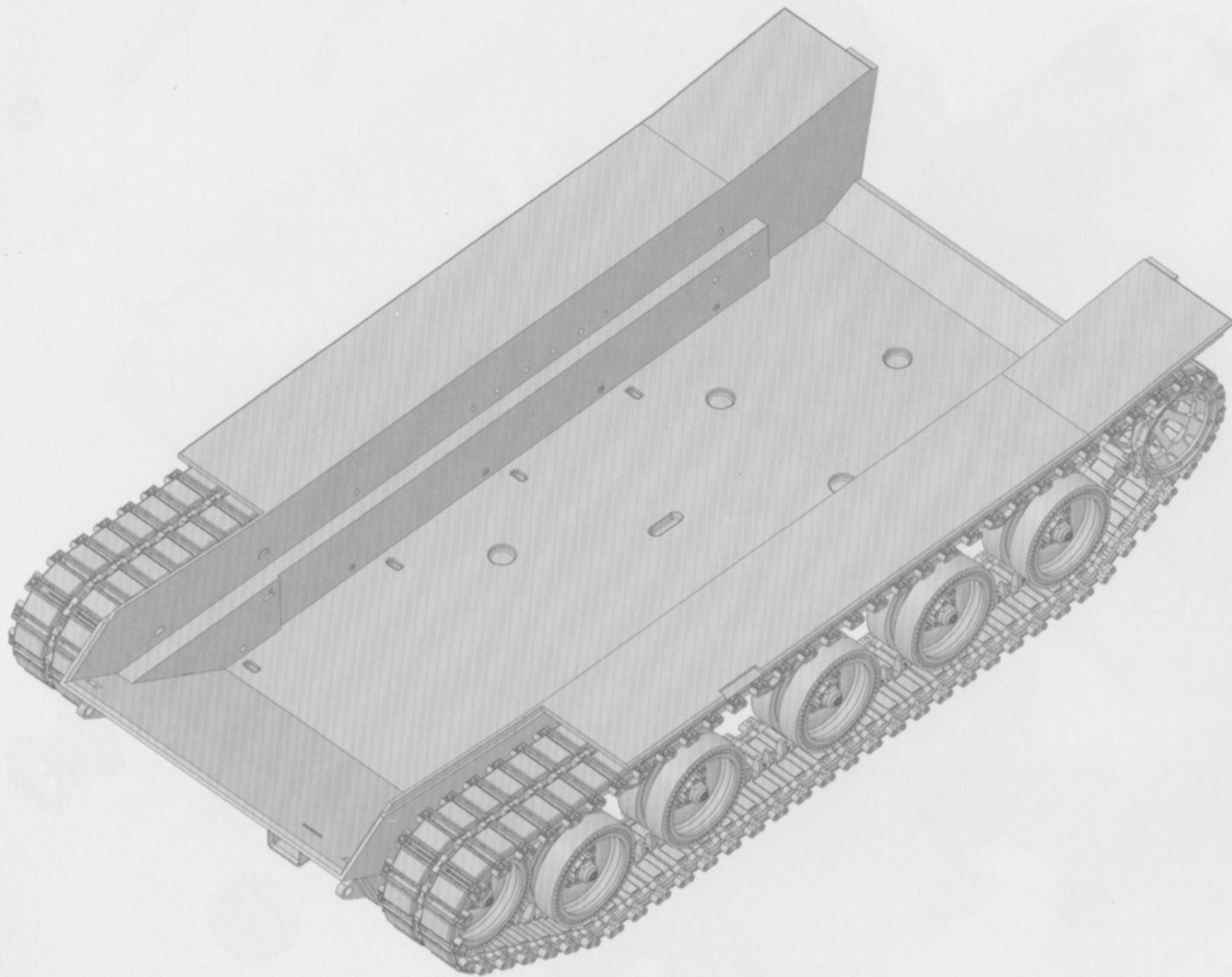
! Make 12

4

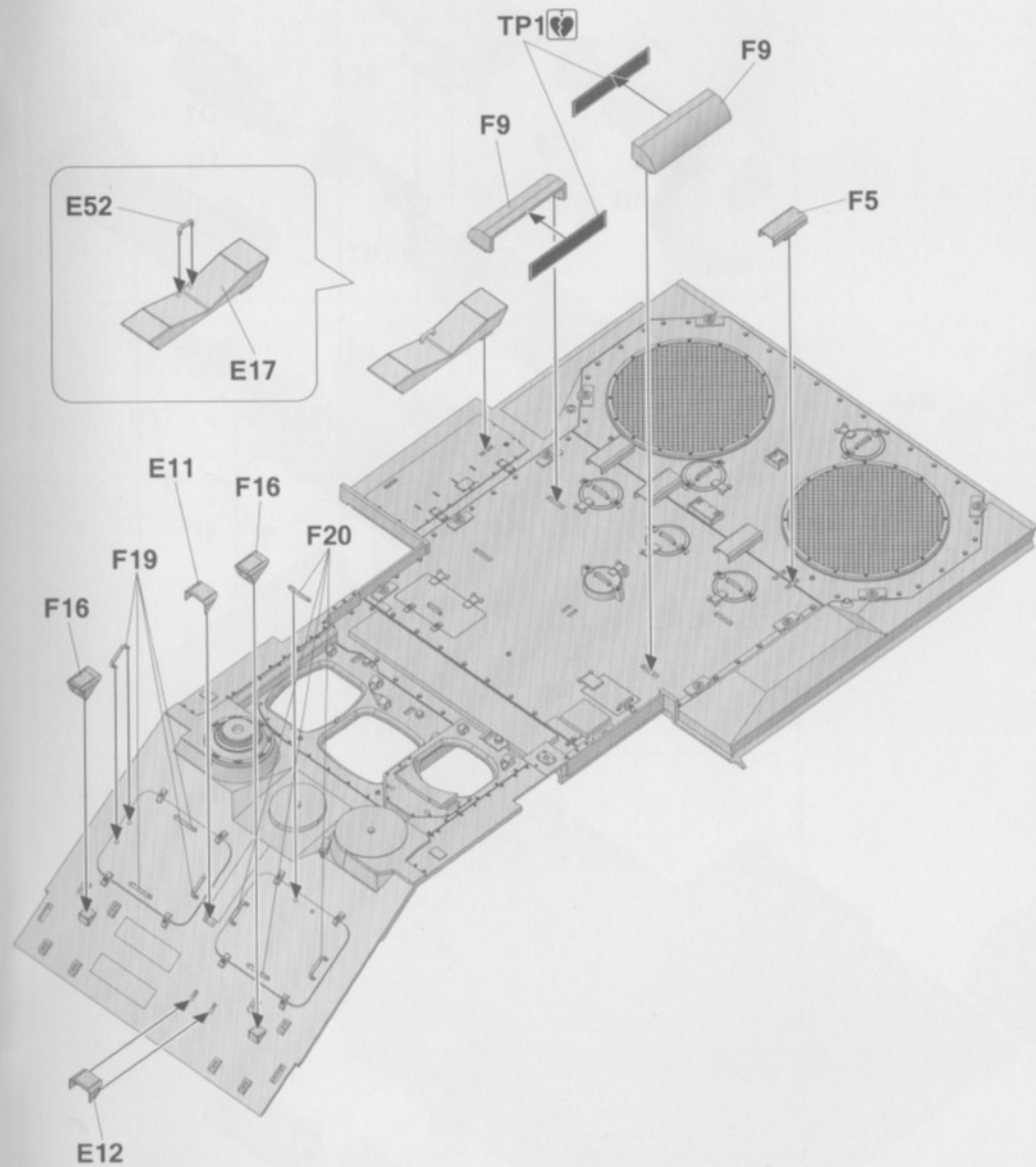


5

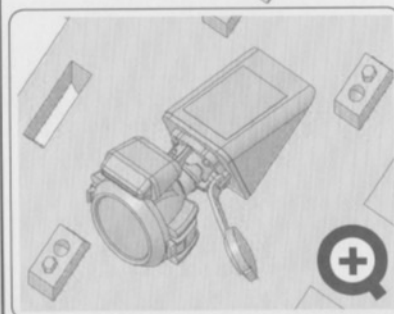
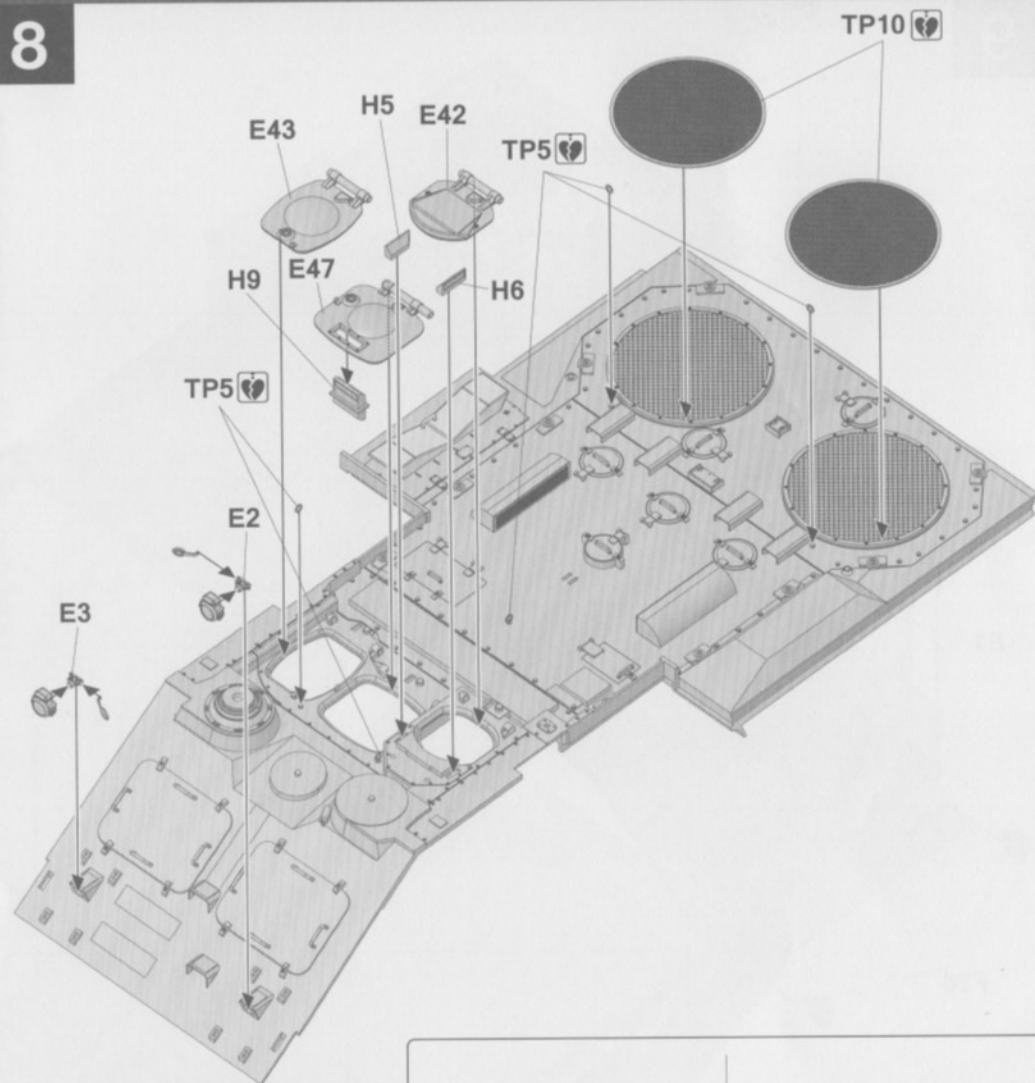




7



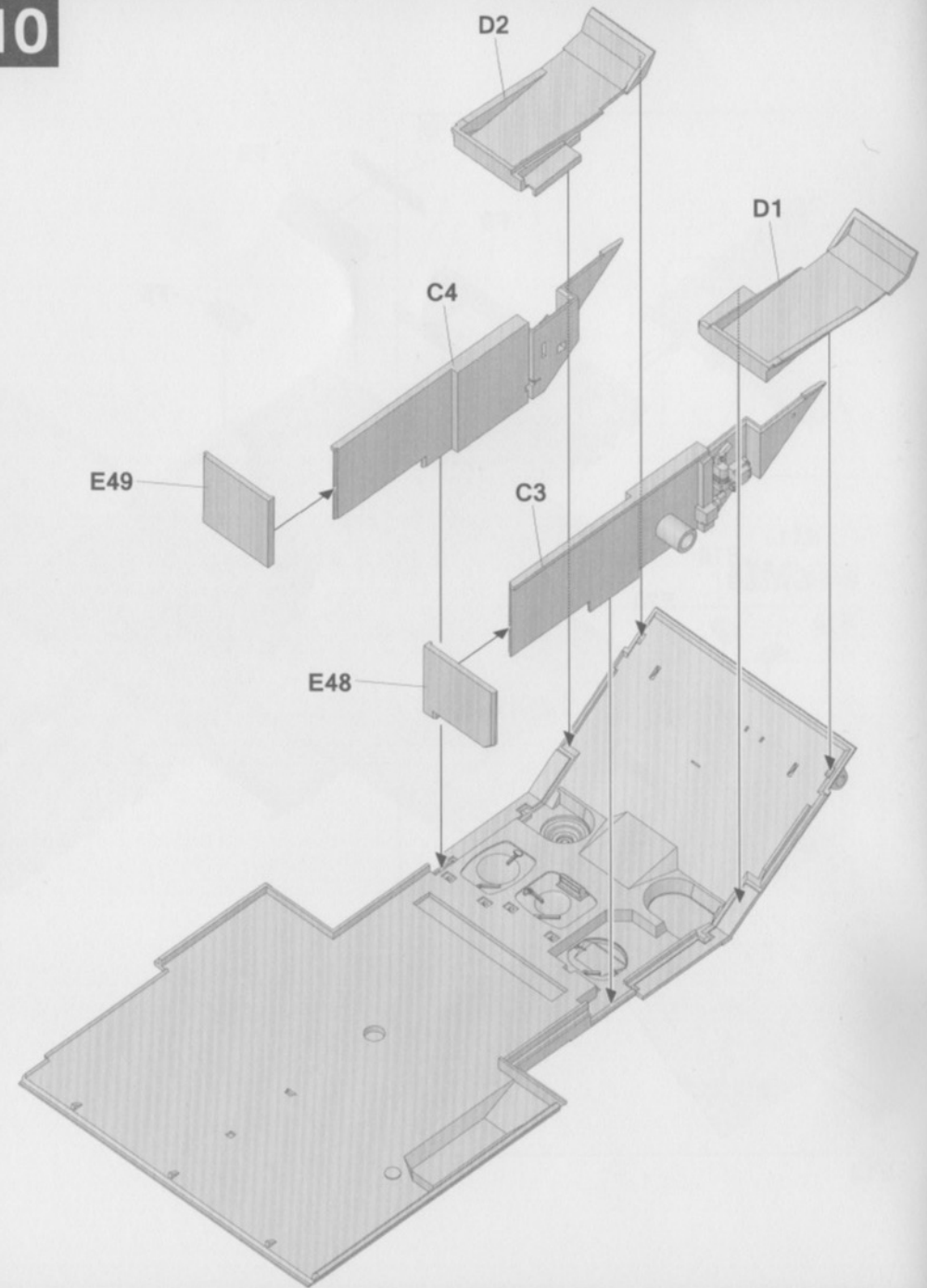
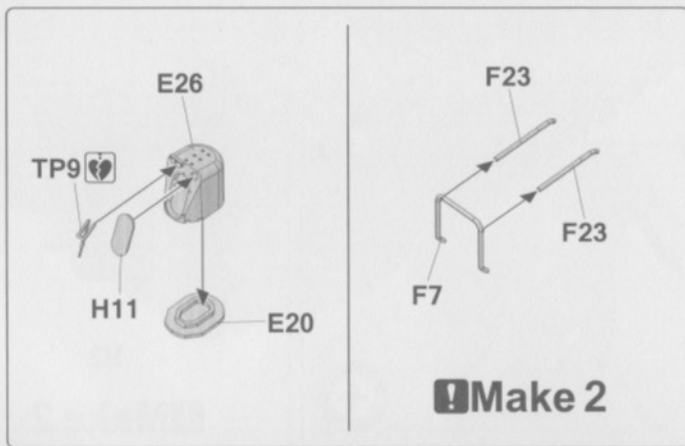
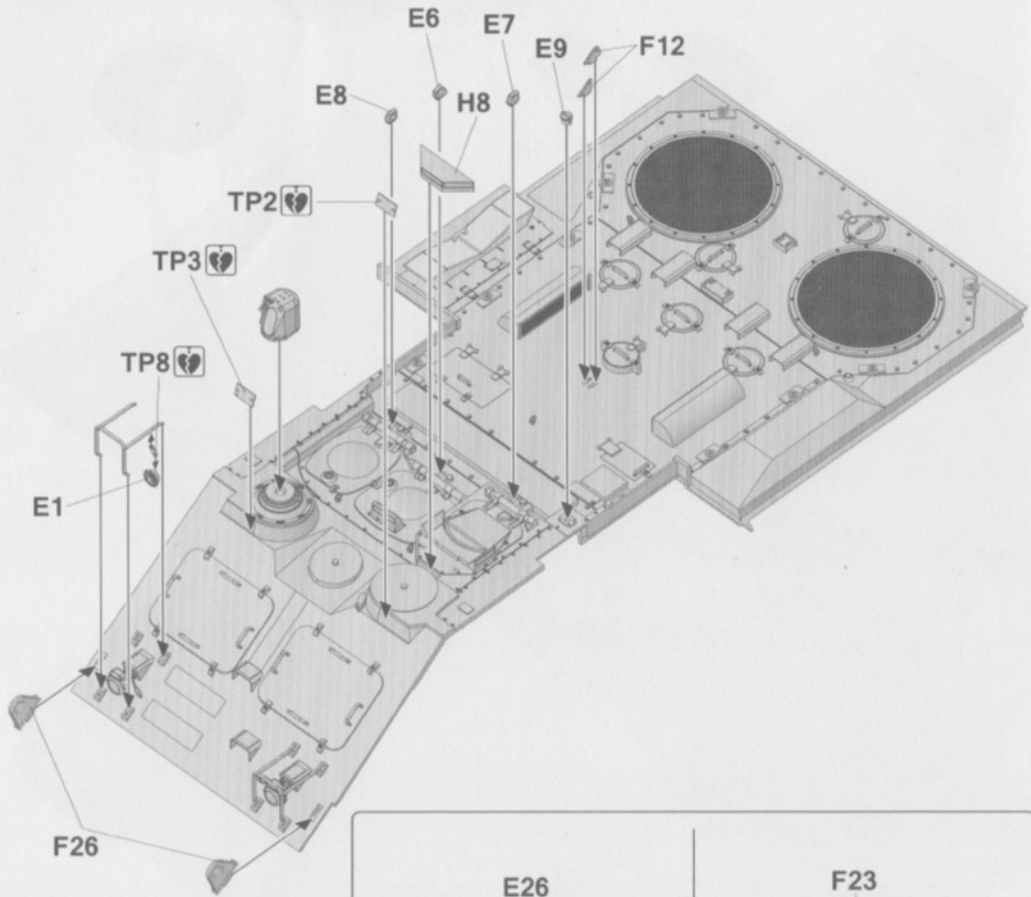
8

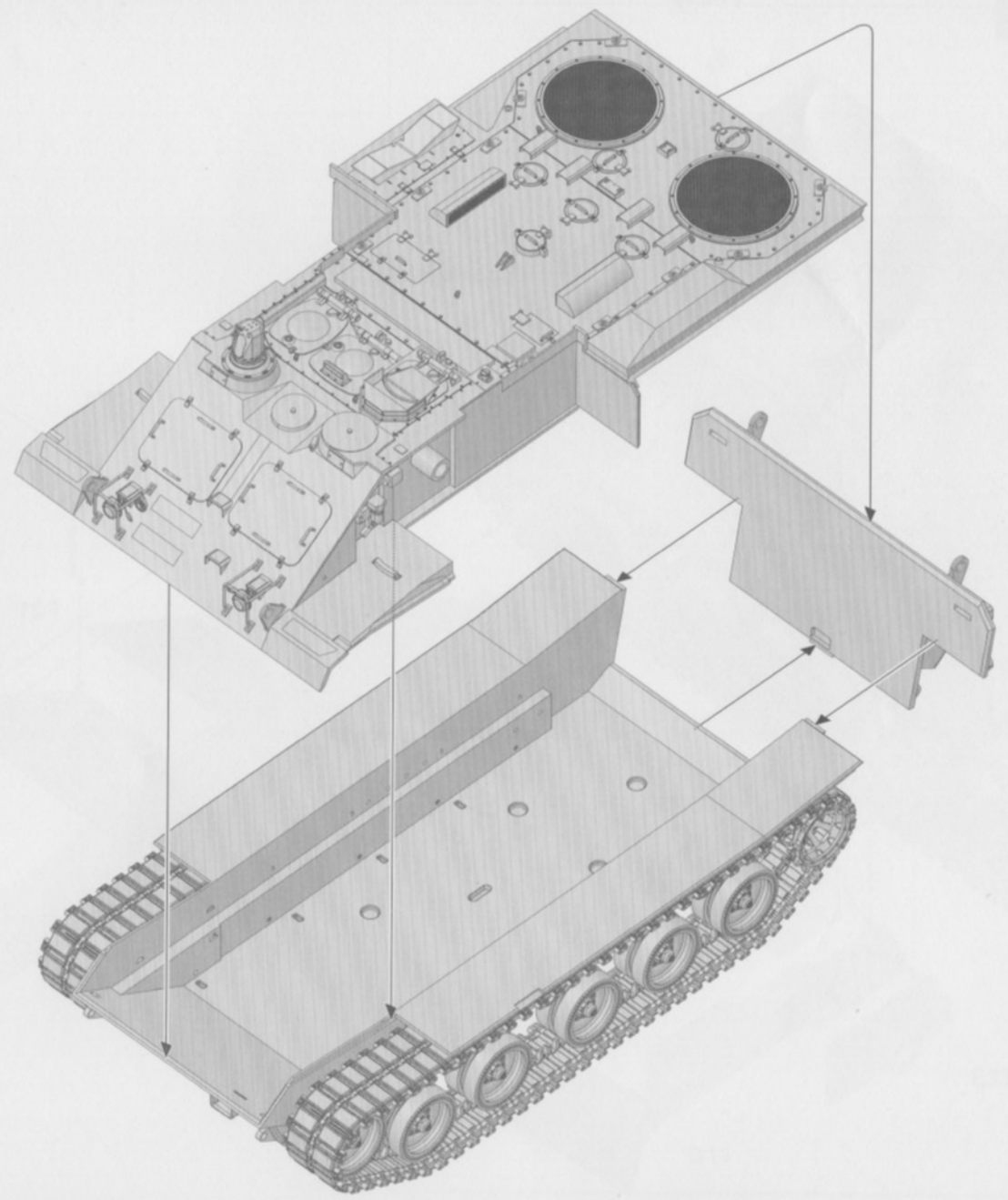
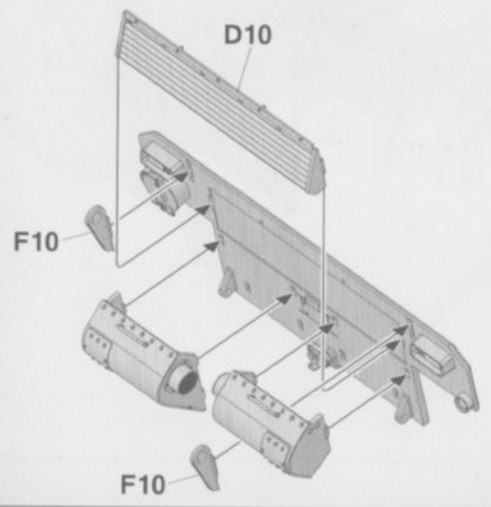
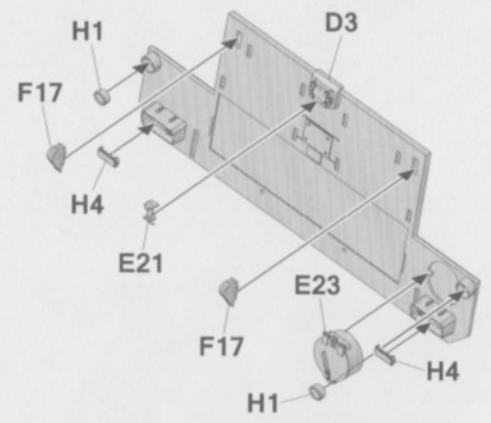
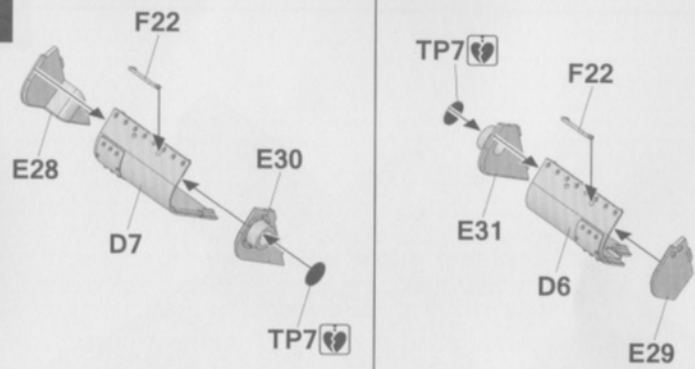


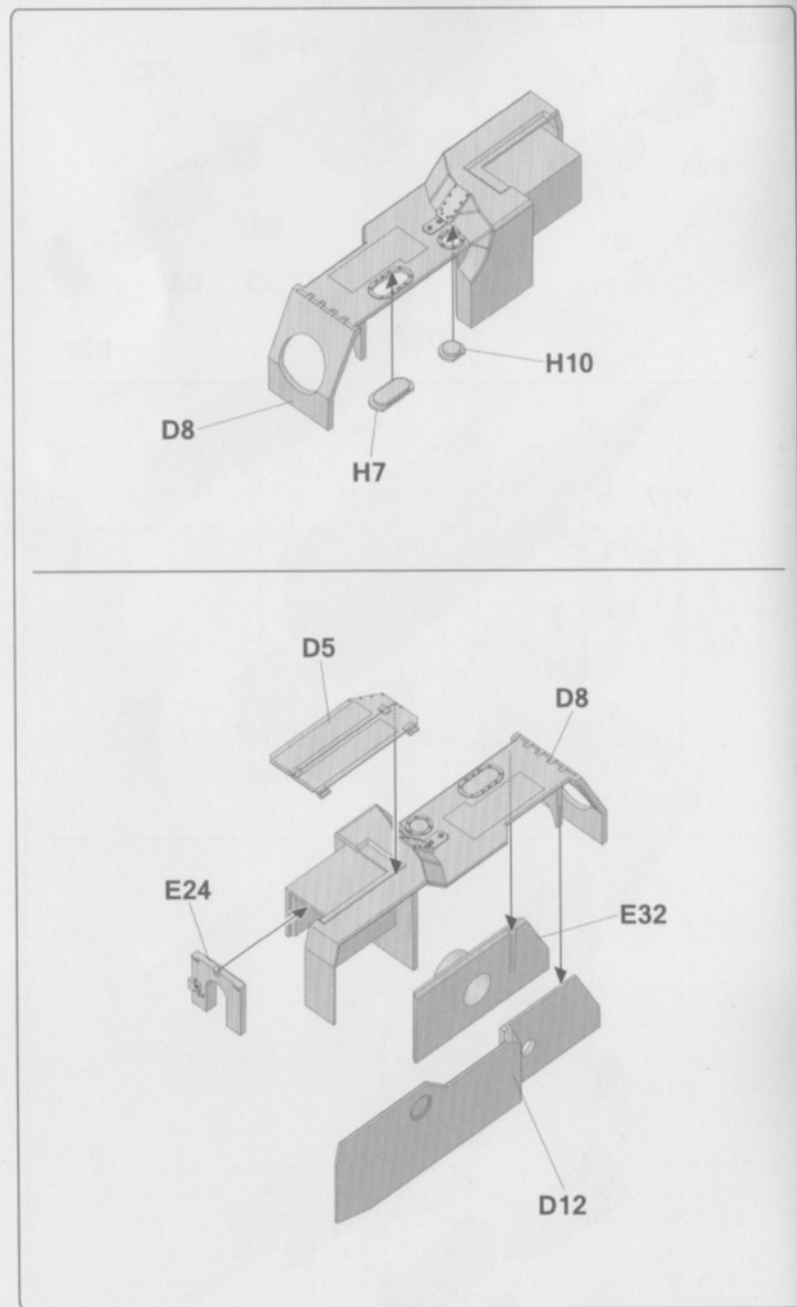
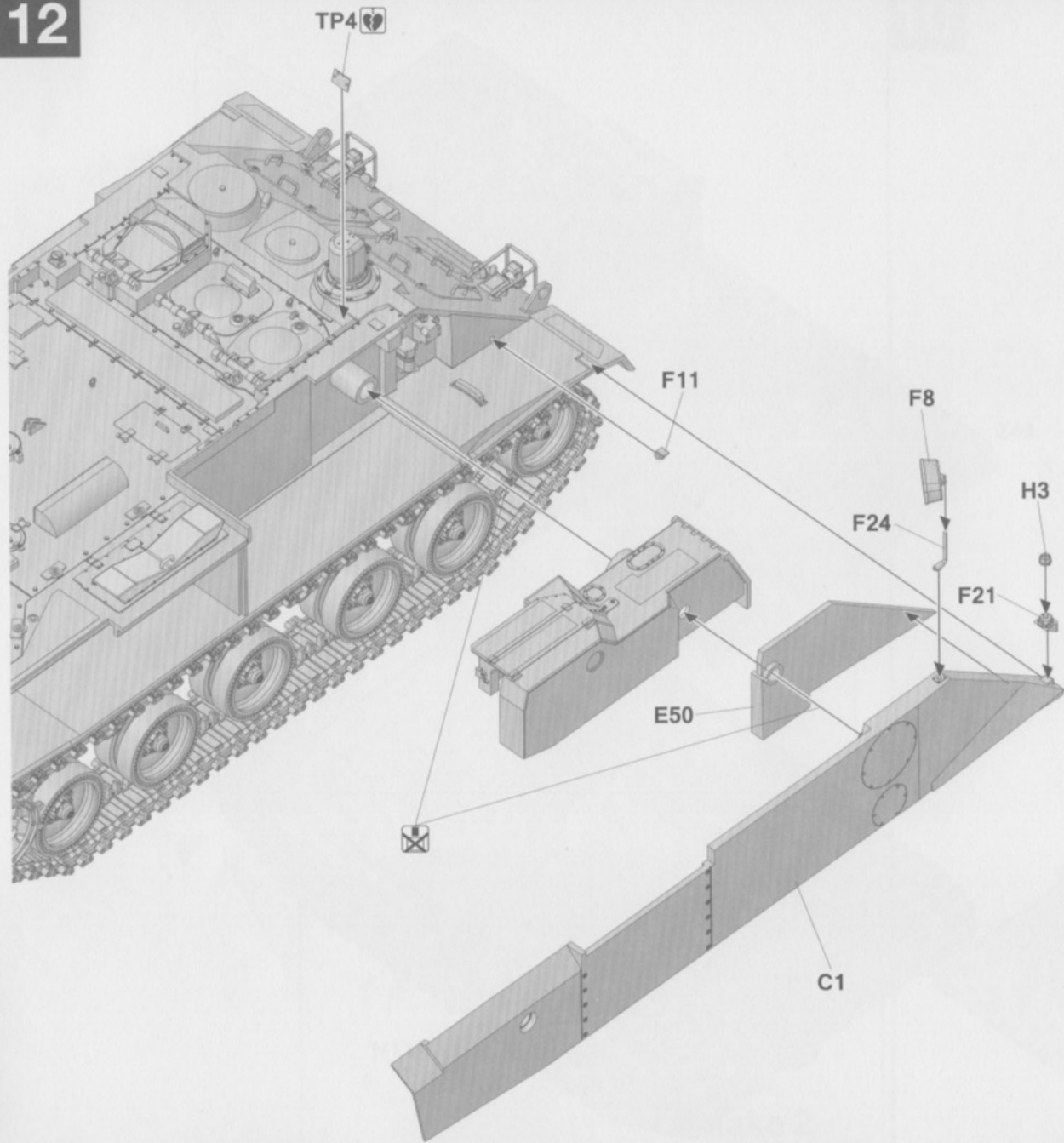
Make 2



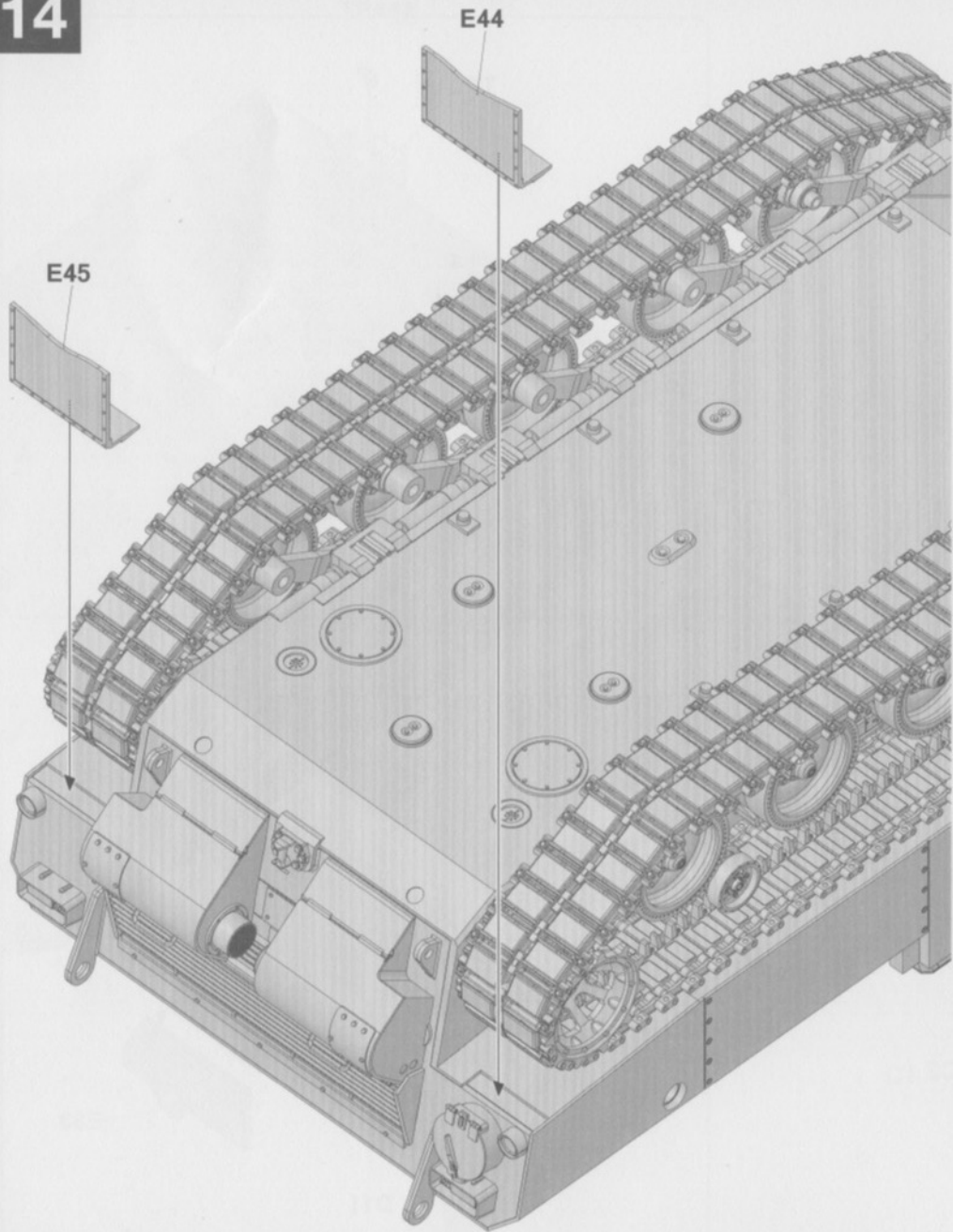
Make 2



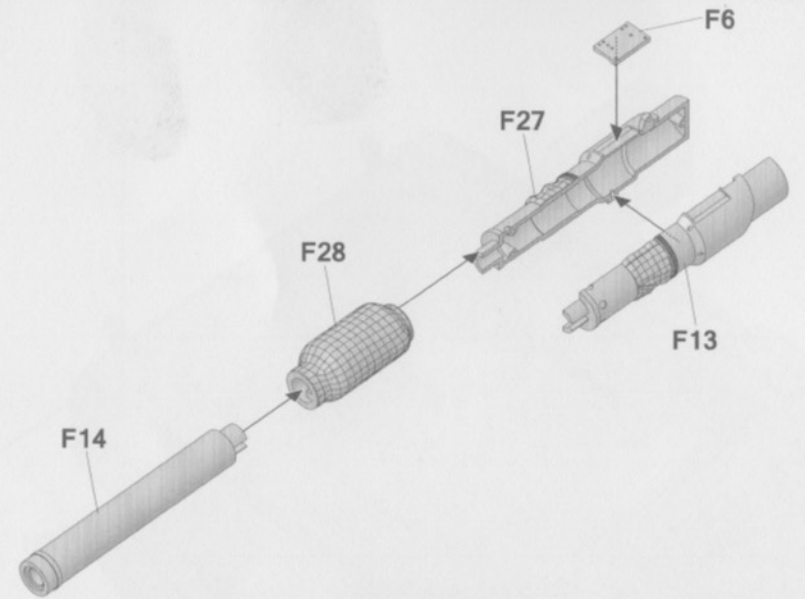




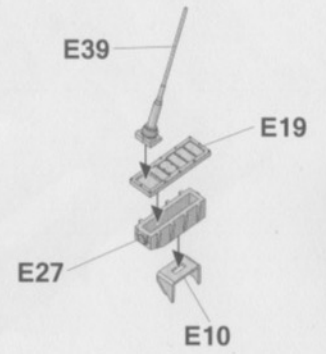
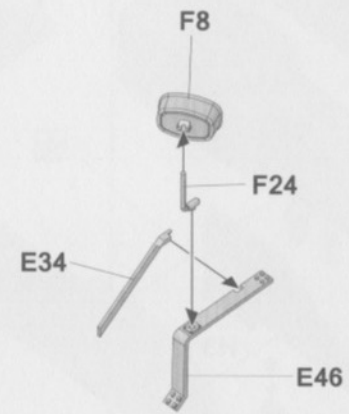
14

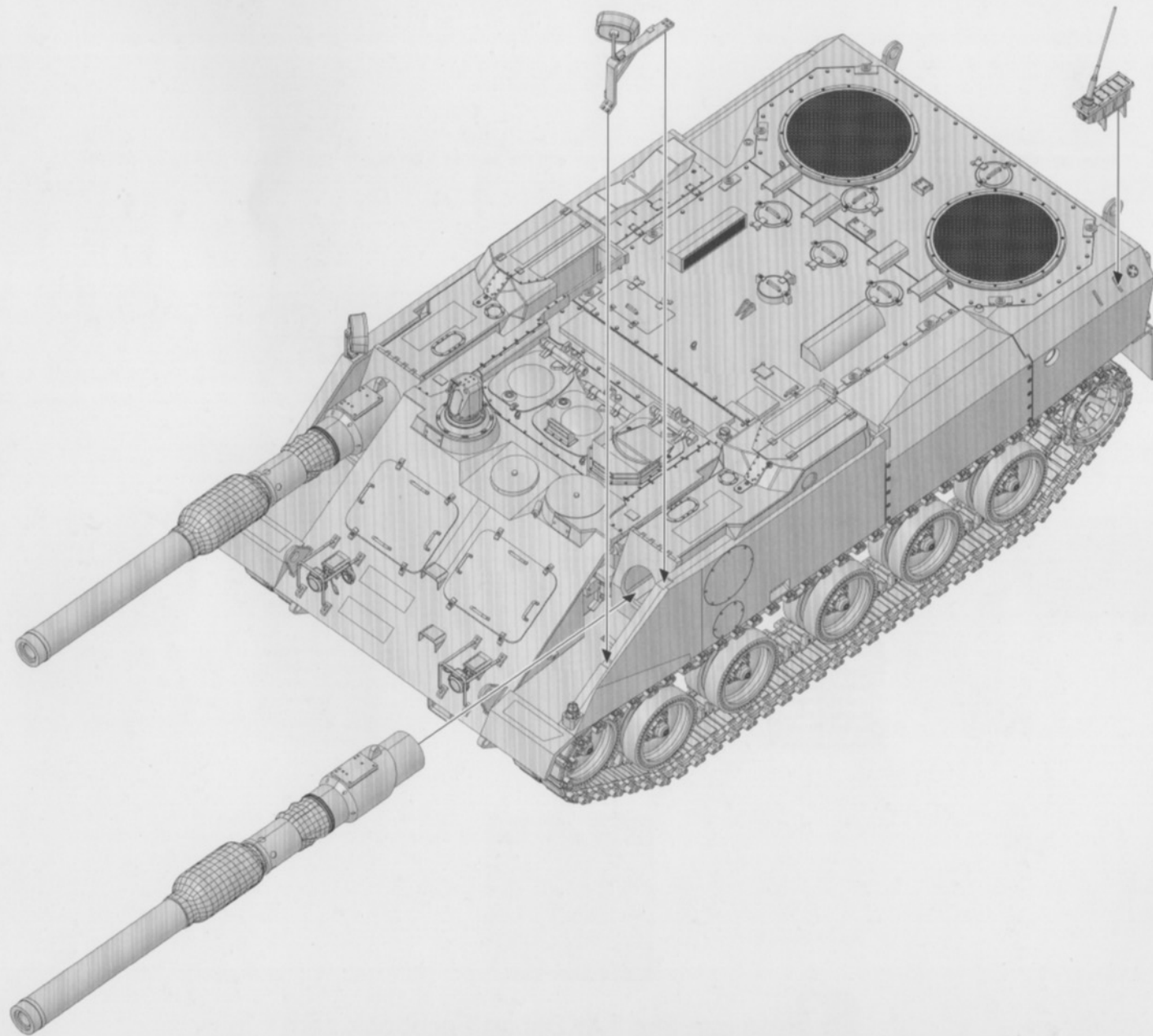


15



Make 2

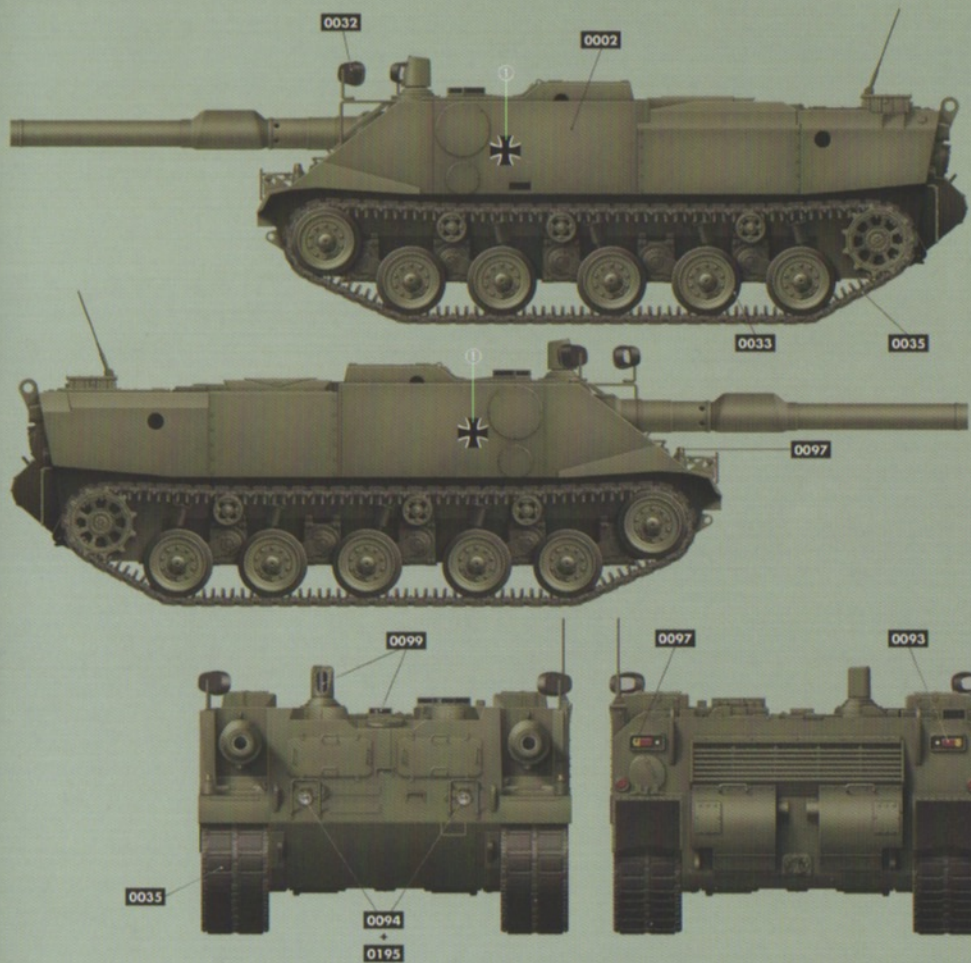




Painting and Marking Guide

TAKOM Ref: 2155

Versuchsträger 1-2, Wehrtechnische
Studensammlung Koblenz,
Germany 1975.



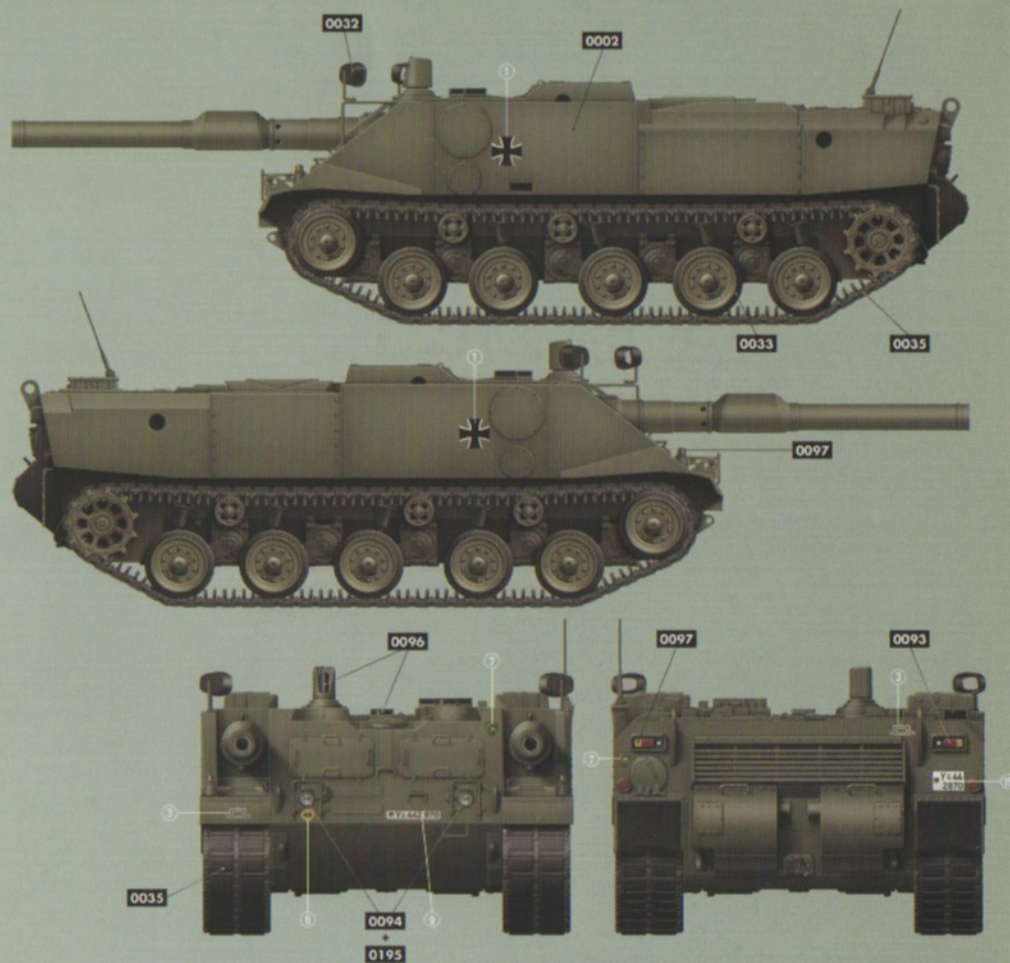
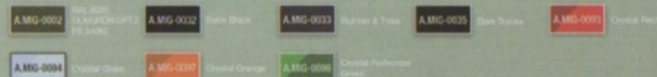
WEATHERING STEPS WITH AMMO PRODUCTS

1 GENERAL WASH A.MIG-1005 Dark Brown Wash for Green Vehicles	4 CAMO SHADING A.MIG-0066 Dark Green Shader	7 STREAKING A.MIG-1203 Streaking Grime	10 DUST A.MIG-3004 Europe Earth Pigment	13 FUEL A.MIG-1409 Fuel Stains
2 CAMO FADING A.MIG-3506 Oilbrusher Field Green	5 DIRT SHADING A.MIG-0853 Dirt Shader	8 RAINMARKS A.MIG-1258 Streakingbrusher Dust	11 MUD A.MIG-1704 Heavy Earth	14 OIL A.MIG-1408 Fresh Engine Oil
3 FILTER A.MIG-1508 Green for Grey Green	6 DETAILS HIGHLIGHT A.MIG-0609 Drybrush Medium Olive Green	9 TRACKS WASH A.MIG-1002 Tracks Wash	12 SPLASHES A.MIG-1753 Turned Dirt	

Painting and Marking Guide

TAKOM Ref: 2155

Versuchsträger 1-2,
Germany 1975.



WEATHERING STEPS WITH AMMO PRODUCTS

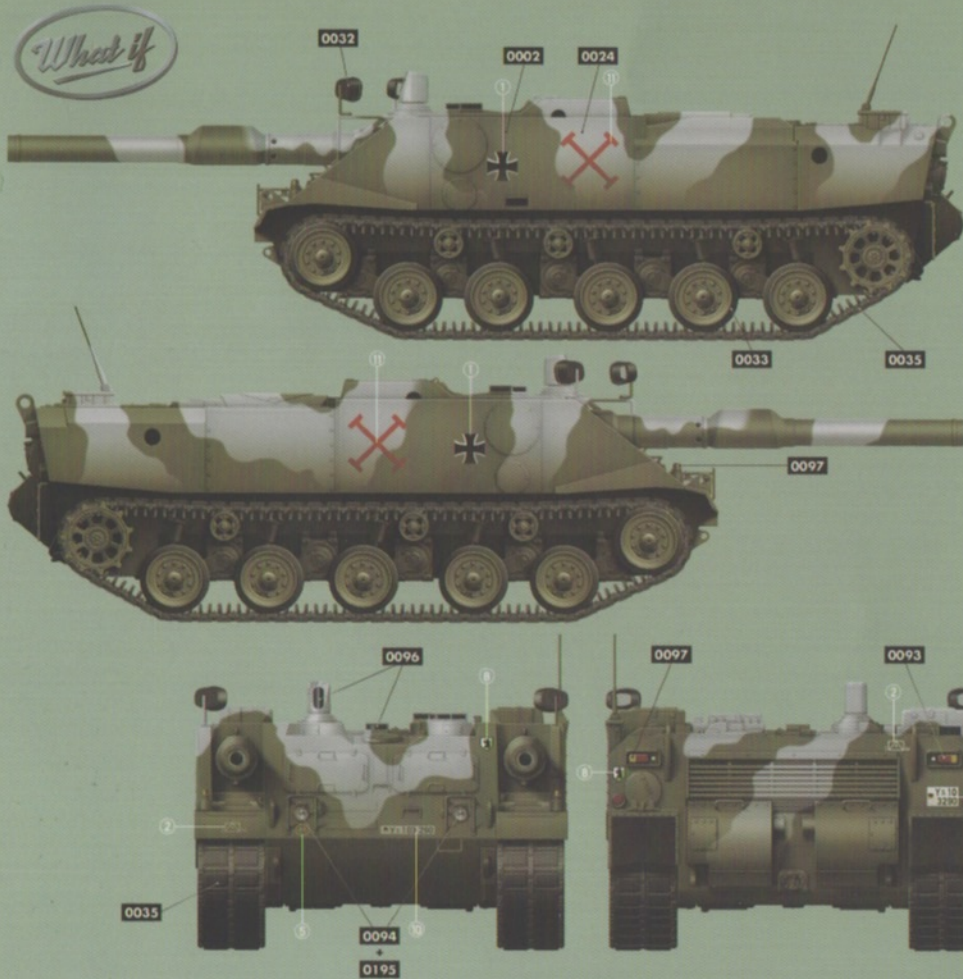
1 GENERAL WASH A.MIG-1005 Dark Brown Wash for Green Vehicles	4 CAMO SHADING A.MIG-0066 Dark Green Shader	7 STREAKING A.MIG-1203 Streaking Grime	10 DUST A.MIG-3004 Europe Earth Pigment	13 FUEL A.MIG-1409 Fuel Stains
2 CAMO FADING A.MIG-3506 Oilbrusher Field Green	5 DIRT SHADING A.MIG-0853 Dirt Shader	8 RAINMARKS A.MIG-1258 Streakingbrusher Dust	11 MUD A.MIG-1704 Heavy Earth	14 OIL A.MIG-1408 Fresh Engine Oil
3 FILTER A.MIG-1508 Green for Grey Green	6 DETAILS HIGHLIGHT A.MIG-0609 Drybrush Medium Olive Green	9 TRACKS WASH A.MIG-1002 Tracks Wash	12 SPLASHES A.MIG-1753 Turned Dirt	

Painting and Marking Guide

TAKOM Ref: 2155

VT 1-2,
Germany 1981.

A.MG-002 <small>RAL 9007 Dunkelgrün (Dk. Grün)</small>	A.MG-004 <small>White White Wash</small>	A.MG-002 <small>Slate Black</small>	A.MG-003 <small>Rubber & Tires</small>	A.MG-005 <small>Dark Tracks</small>
A.MG-001 <small>Crystal Red</small>	A.MG-004 <small>Crystal Glass</small>	A.MG-007 <small>Crystal Orange</small>	A.MG-006 <small>Crystal Perfume Green</small>	



WEATHERING STEPS WITH AMMO PRODUCTS

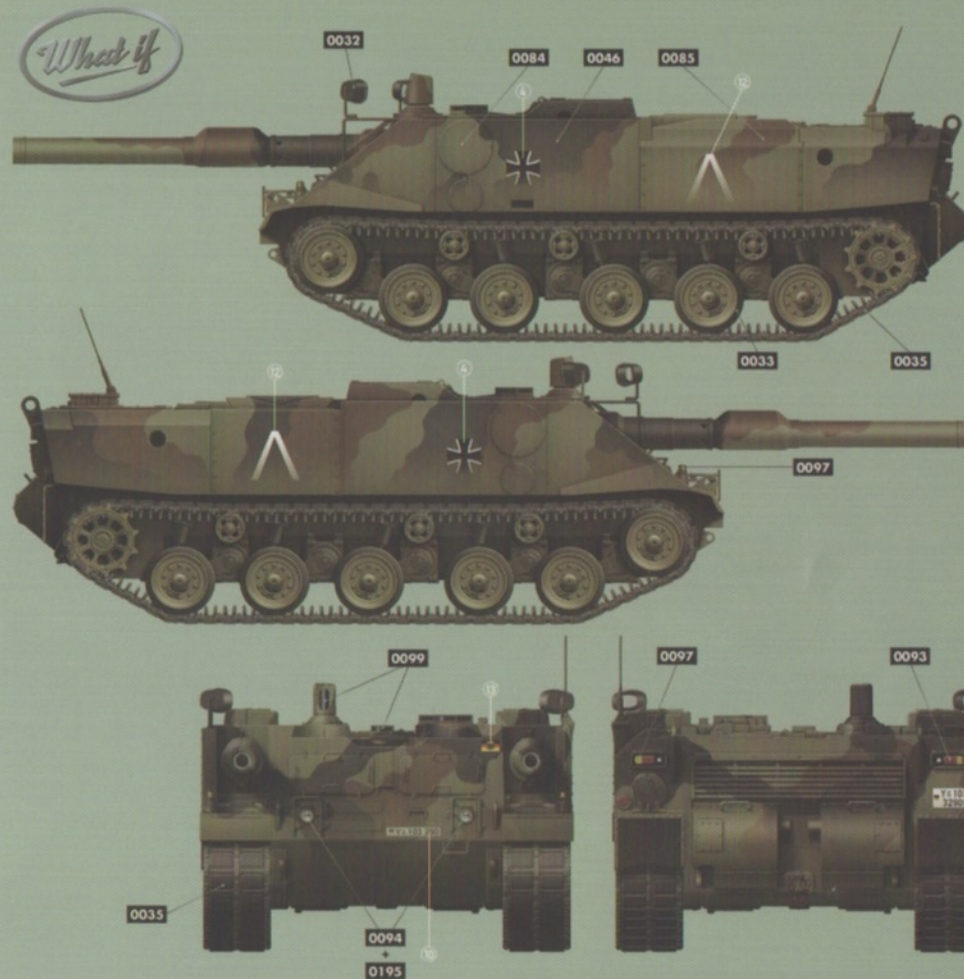
1 GENERAL WASH A.MG-1010 Neutral Wash	4 CAMO SHADING A.MG-0857 Grey Shader	7 STREAKING A.MG-1255 Streakingbrusher Winter Green	10 DUST A.MG-3029 Winter Soil Pigment	13 FUEL A.MG-1409 Fuel Stains
2 CAMO FADING A.MG-3501 Oilrubber White	5 DIRT SHADING A.MG-0853 Dirt Shader	8 RAINMARKS A.MG-1258 Streakingbrusher Dust	11 MUD A.MG-1705 Wet Mud	14 OIL A.MG-1408 Fresh Engine Oil
3 FILTER A.MG-0822 Ochre	6 DETAILS HIGHLIGHT A.MG-0609 Drybrush Light Olive Green	9 TRACKS WASH A.MG-1002 Tracks Wash	12 SPLASHES A.MG-1754 Dump Earth	

Painting and Marking Guide

TAKOM Ref: 2155

VT 1-2,
Germany 1984.

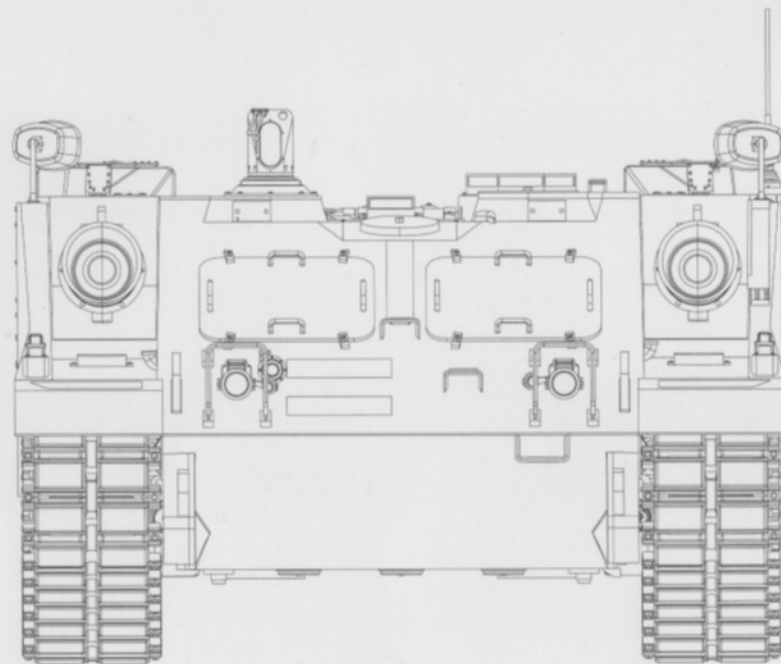
A.MG-002 <small>Slate Black</small>	A.MG-003 <small>Rubber & Tires</small>	A.MG-005 <small>Dark Tracks</small>	A.MG-006 <small>Black</small>	A.MG-008 <small>Auto Green</small>
A.MG-005 <small>Dark Brown</small>	A.MG-003 <small>Crystal Red</small>	A.MG-004 <small>Crystal Glass</small>	A.MG-007 <small>Crystal Orange</small>	A.MG-009 <small>Crystal Black Blue</small>



WEATHERING STEPS WITH AMMO PRODUCTS

1 GENERAL WASH A.MG-1008 Dark Wash	3 STREAKING A.MG-1206 Dark Streaking Grime	5 RAINMARKS A.MG-1258 Streakingbrusher Dust	7 MUD A.MG-1704 Heavy Earth	9 FUEL A.MG-1409 Fuel Stains
2 FILTER A.MG-1506 Brown for Dark Green	4 TRACKS WASH A.MG-1002 Tracks Wash	6 DUST A.MG-3004 Europe Earth Pigment	8 SPLASHES A.MG-1753 Turned Dirt	10 OIL A.MG-1408 Fresh Engine Oil

2022/2155



You can find TAKOM on Facebook.com