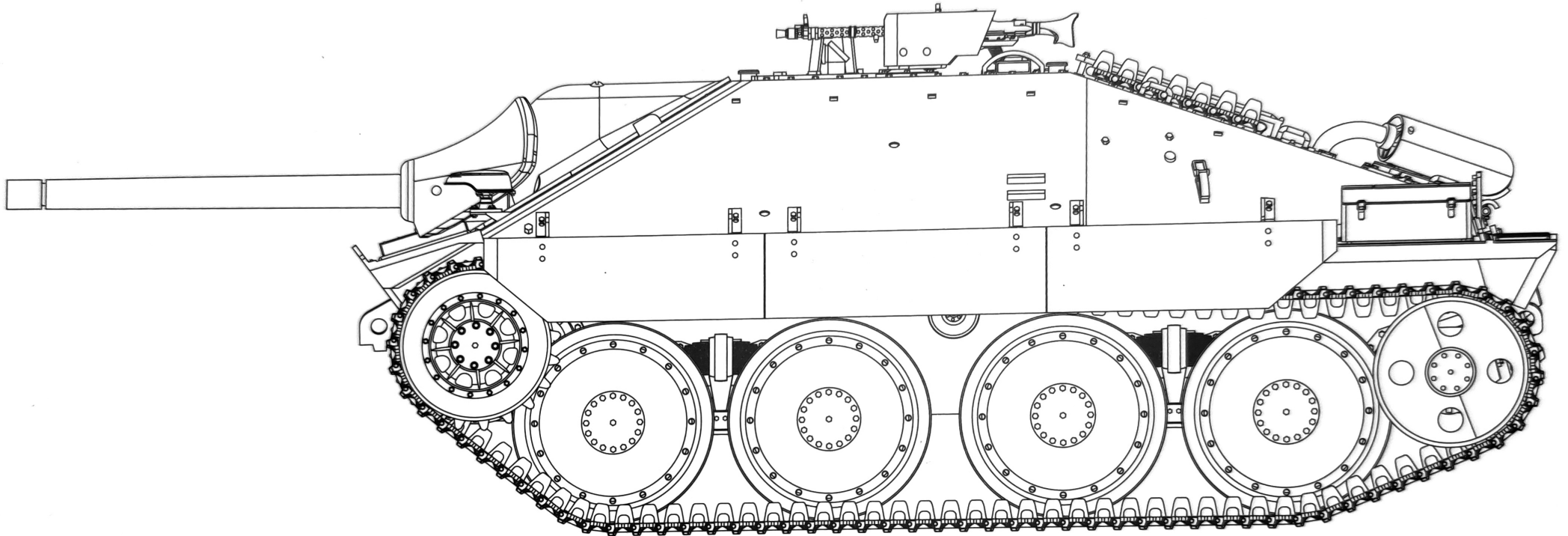


Jagdpanzer 38(t) Hetzer

LATE PRODUCTION



After the annexation of Czechoslovakia, Nazi Germany adopted the ČKD LT vz. 38 and modified the existing hull to create the 16-ton Jagdpanzer 38 (t), later known as the Hetzer. Designed to have a low profile, these tank hunters featured 60mm frontal armor sloped at 60 degrees and were ideal for ambush tactics. Operated by a four-man crew, they were armed with the powerful high velocity 75mm PaK 39 L/48 main gun, which could take out most enemy tanks. The secondary armament consisted of a top-mounted 7.92mm MG34 machine gun. The Hetzer was powered by a 158 hp Praga 6-cylinder AC/2000 water-cooled engine and 5 + 1 Praga-Wilson Typ CV transmission, which gave the vehicle a top speed of 26 mph (42 km/h) and operational range of up to 110 miles (180 km).

A total of 2,612 units were produced by the end of WWII, most of which were allocated to independent Heeres Panzerjäger Abteilungen (Army Tank Hunter Battalions). Some Hetzers were subsequently sent to Hungarian battalions and the Russian Liberation Army (ROK) towards the end of the war. After the war ended, 158 Swiss contract Škoda Jagdpanzer G13 tank hunters entered service with the Swiss army, where they served until 1970.

READ BEFORE ASSEMBLY

CAUTION

- Read carefully and fully understand the instructions before commencing assembly. A supervising adult should also read the instructions if a child assembles the model.
- When assembling this kit, tools including knives used. Extra care should be taken to avoid personal injury.
- Keep out of reach of small children. Children must not be allowed to suck any part, or pull vinyl bag over their heads.



Be Careful



Optional



Do Not Cement



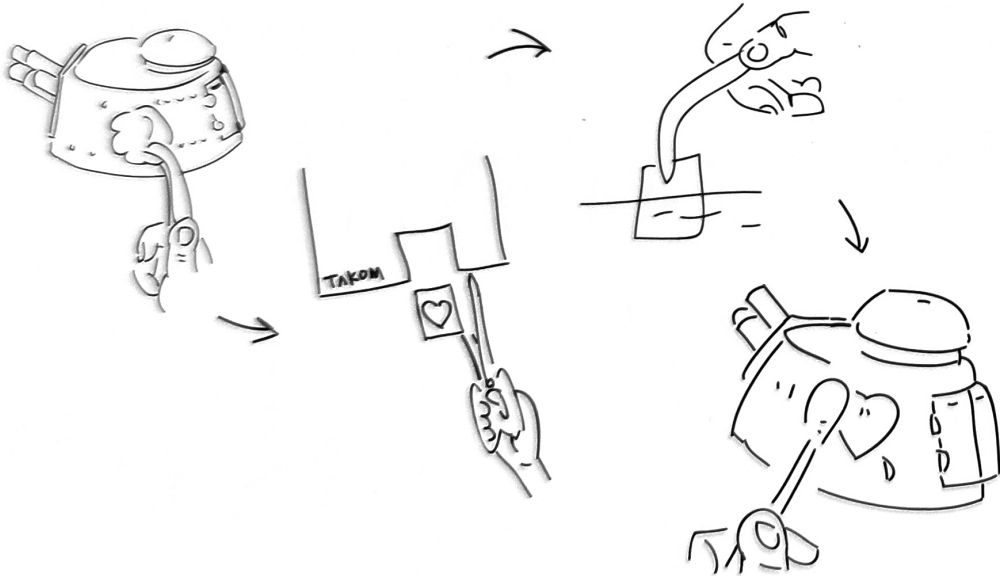
Drill



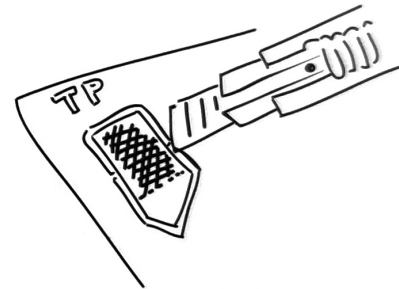
Instant Glue for Metal

APPLYING DECALS

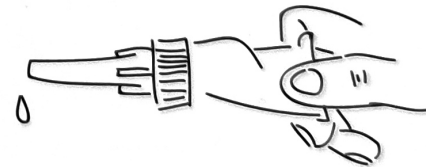
1. Clean the model surface with a wet cloth.
2. Cut out each decal design from sheet, and dip it in tepid water for 15~20 sec.
3. Hold the backing sheet edge and slide decal onto the model.
4. Move decal into position by wetting decal with finger.
5. Press decal gently down with a soft cloth until excess water and air bubbles are gone.



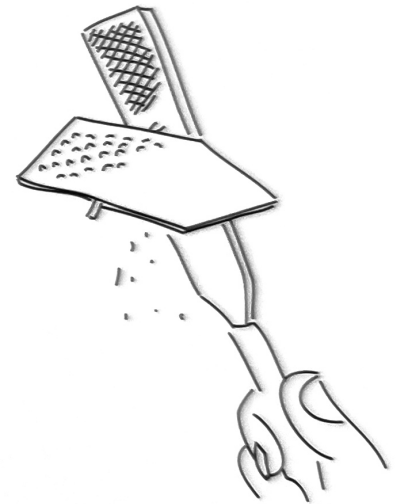
REMOVING PE



Be careful not to hurt when removing PE parts.

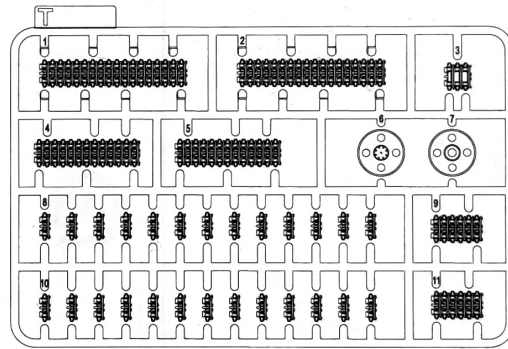
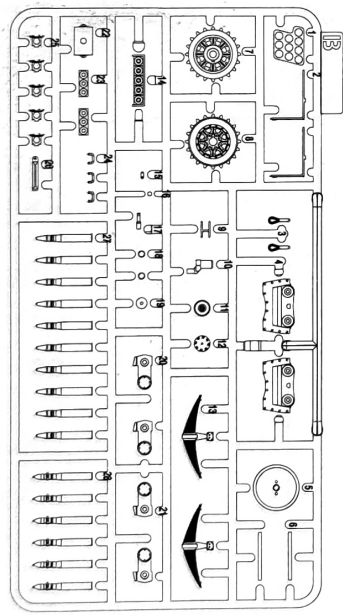
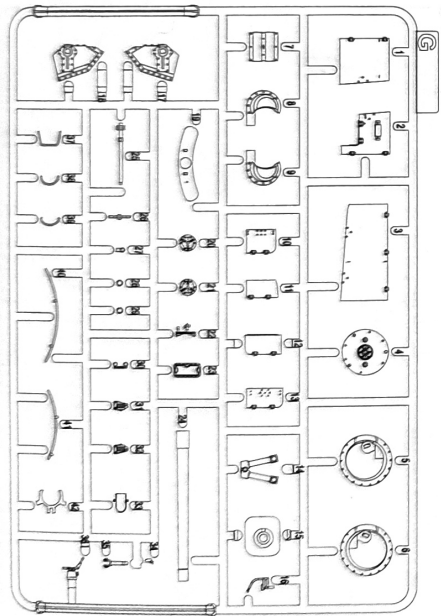
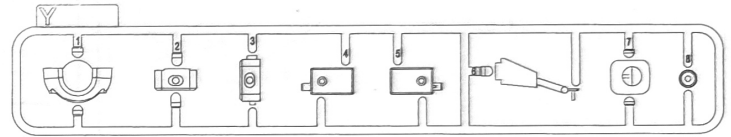
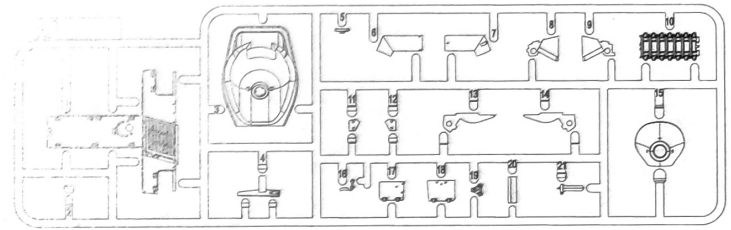
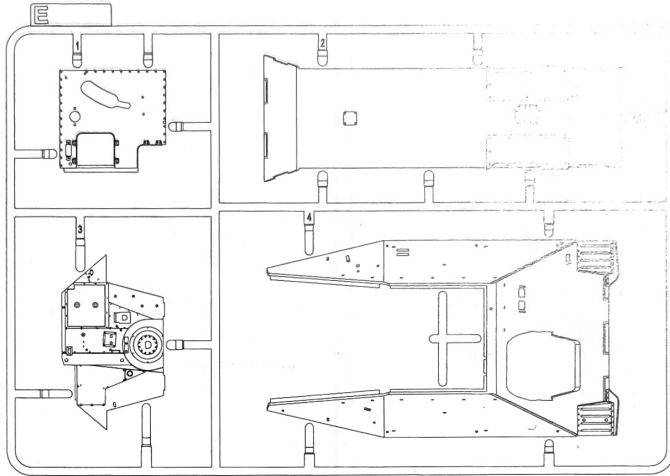
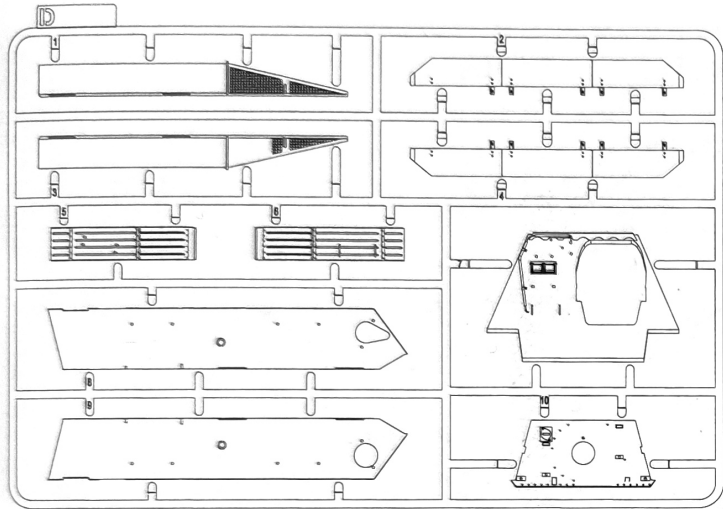


Secure using instant glue (not included).

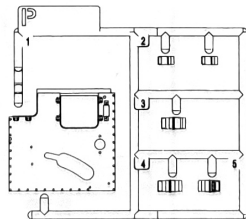


Finish using file.

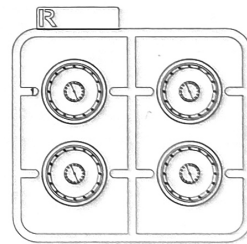
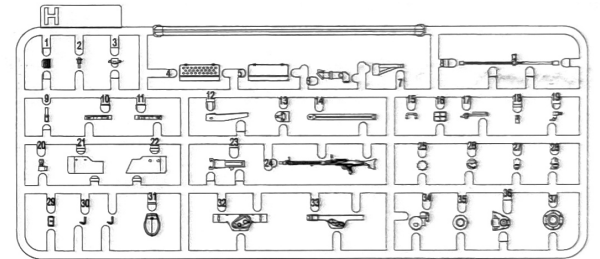
PARTS



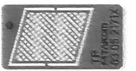
X2



Cable



X2

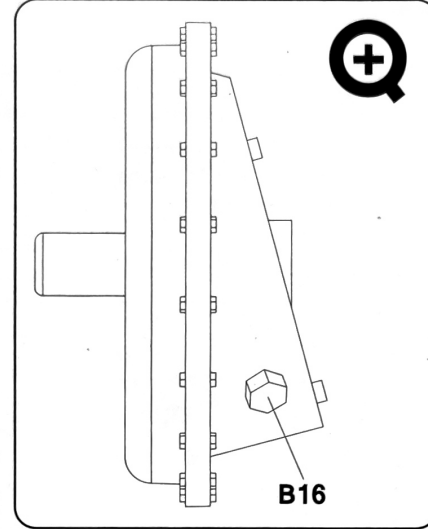
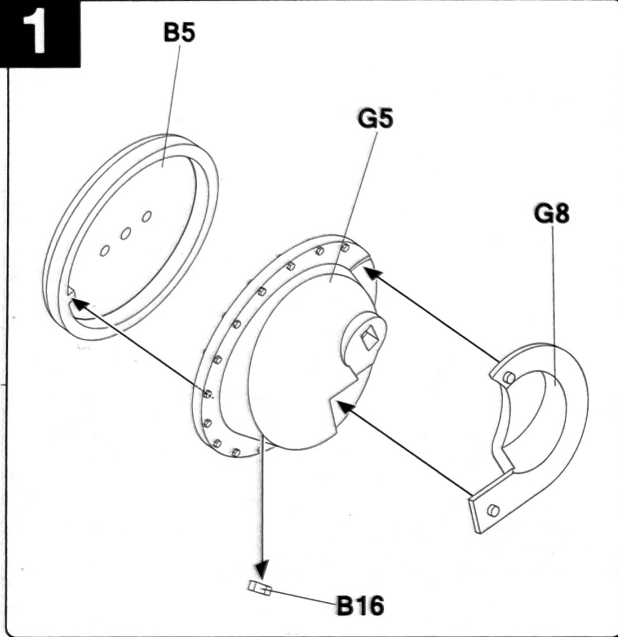
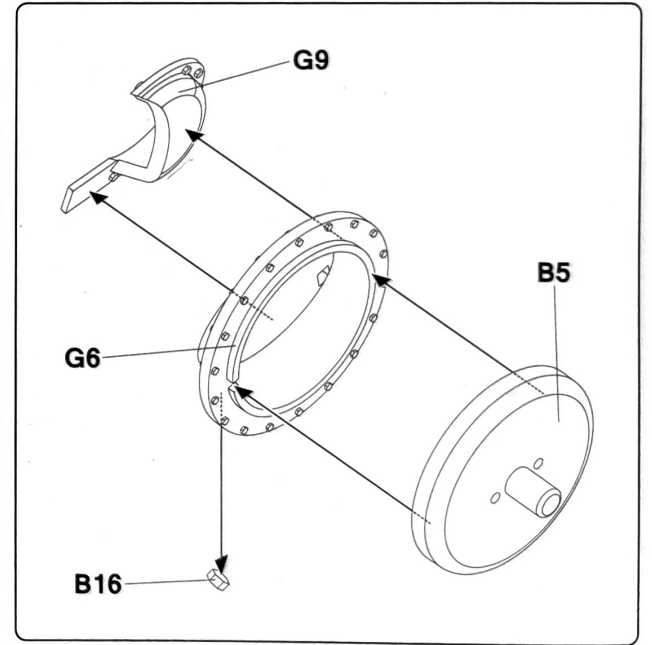
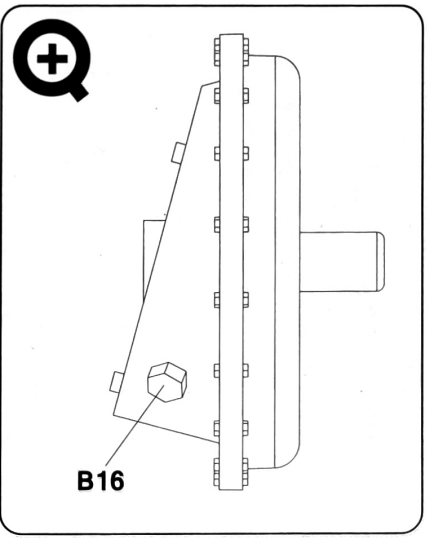
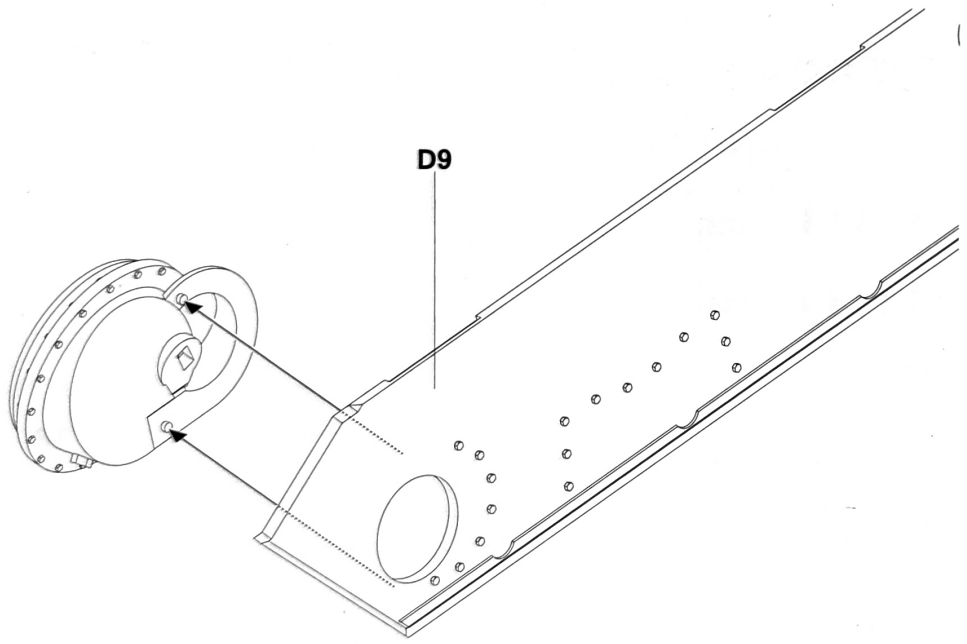
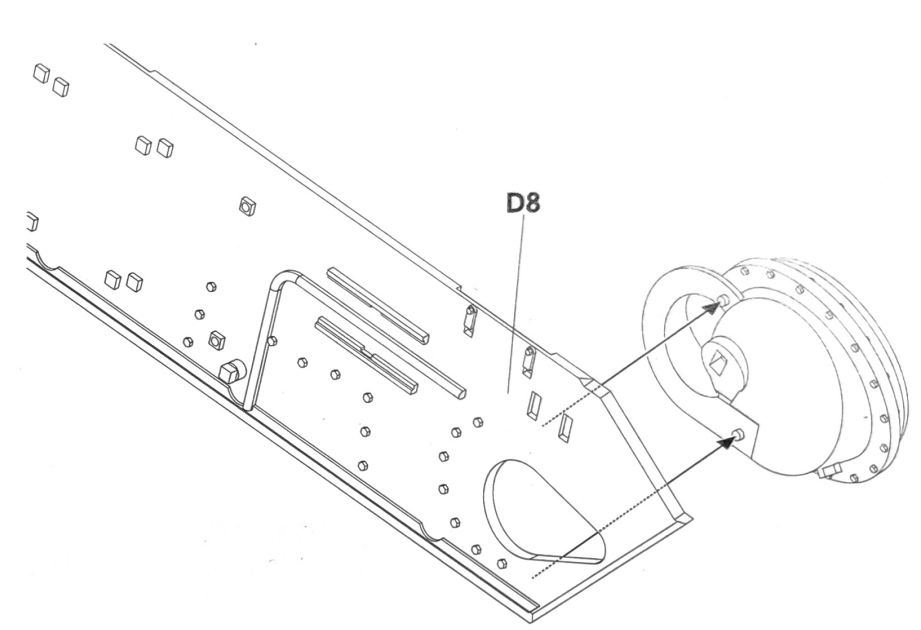


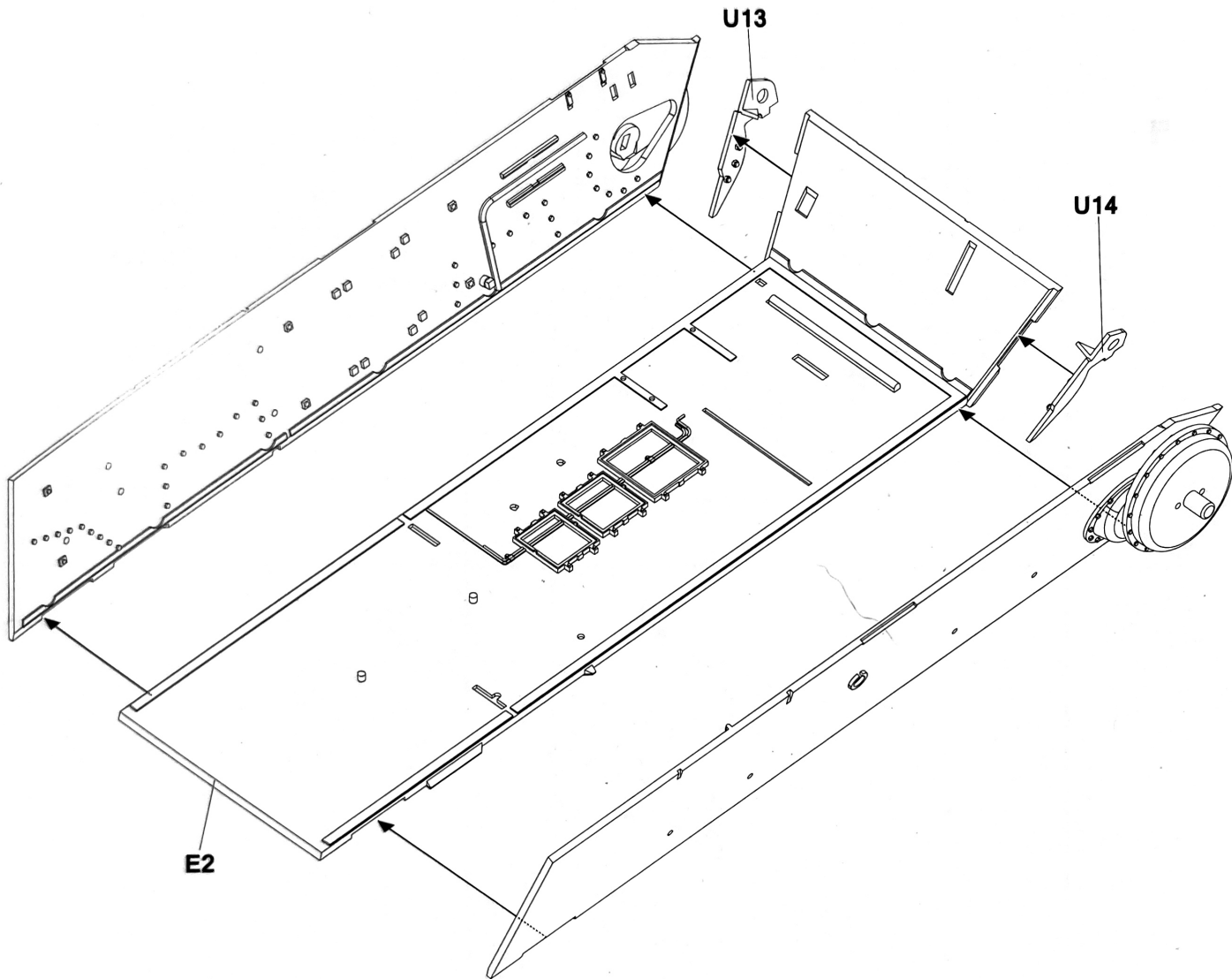
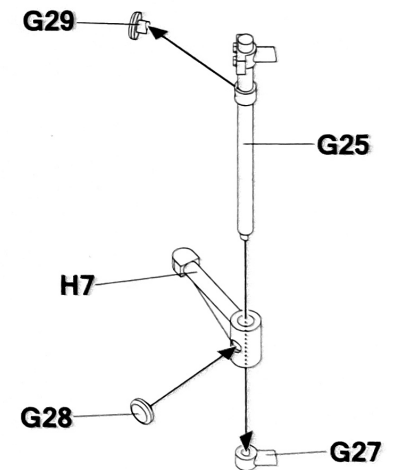
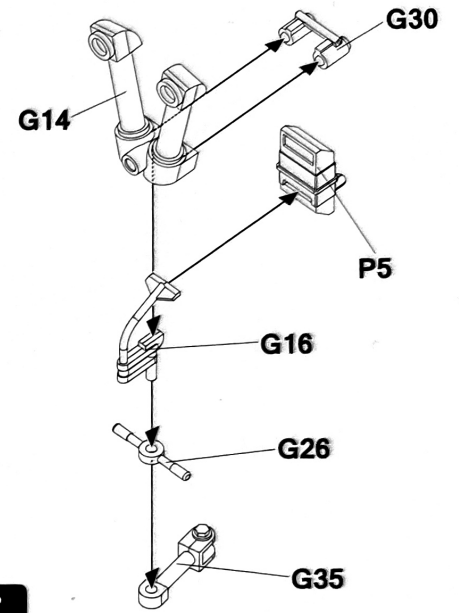
TP



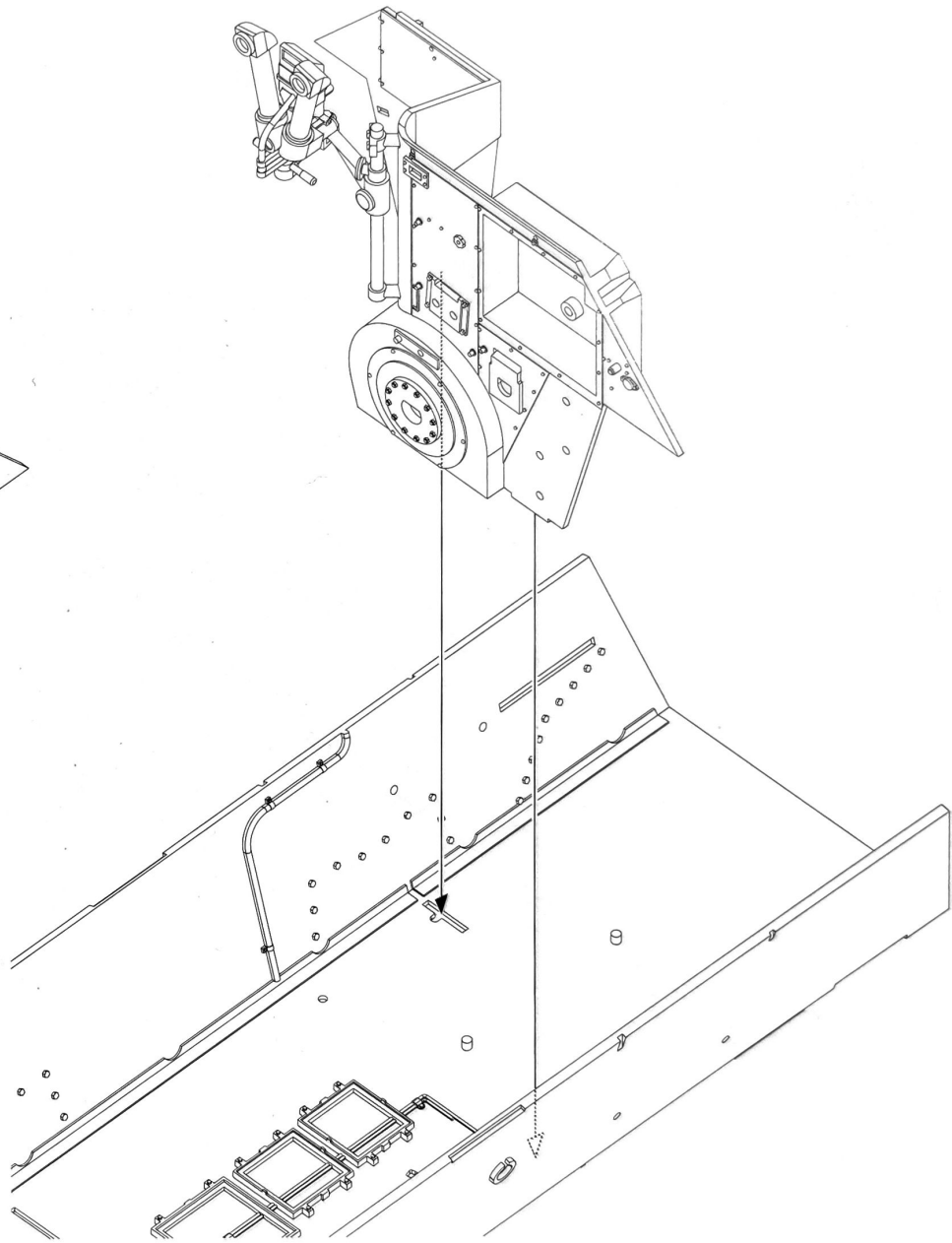
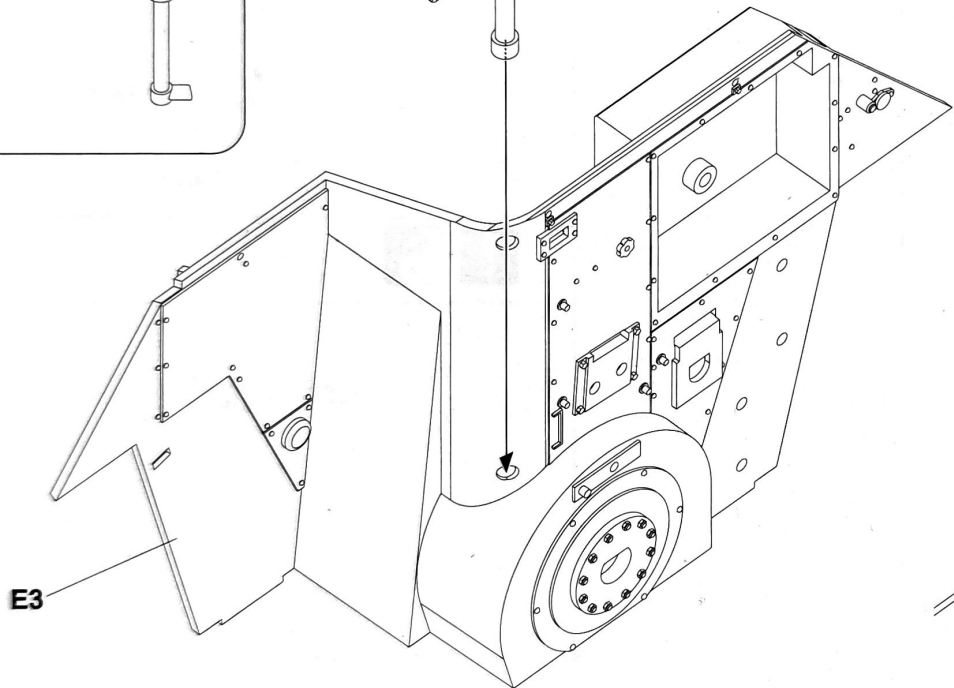
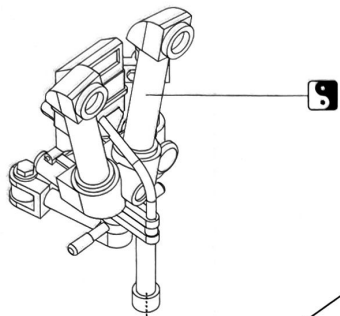
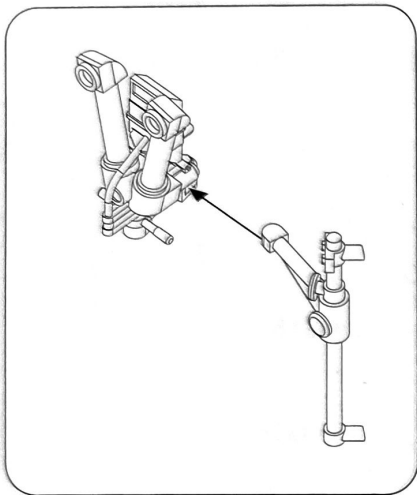
Decal

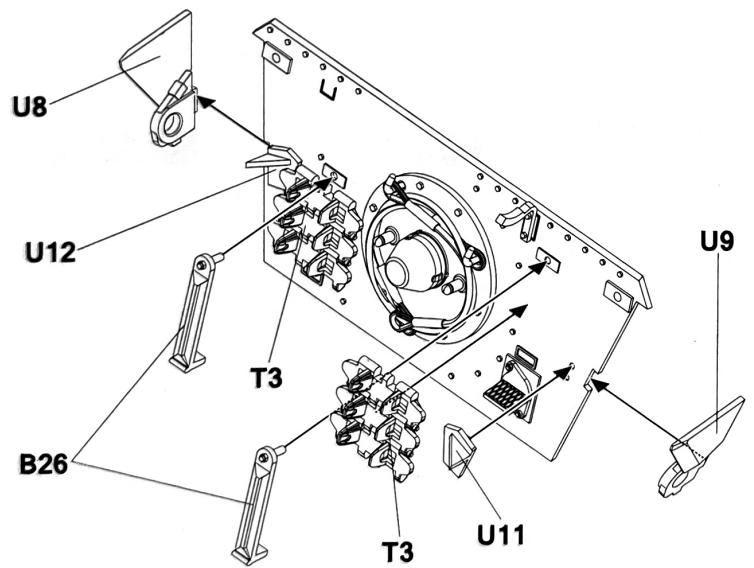
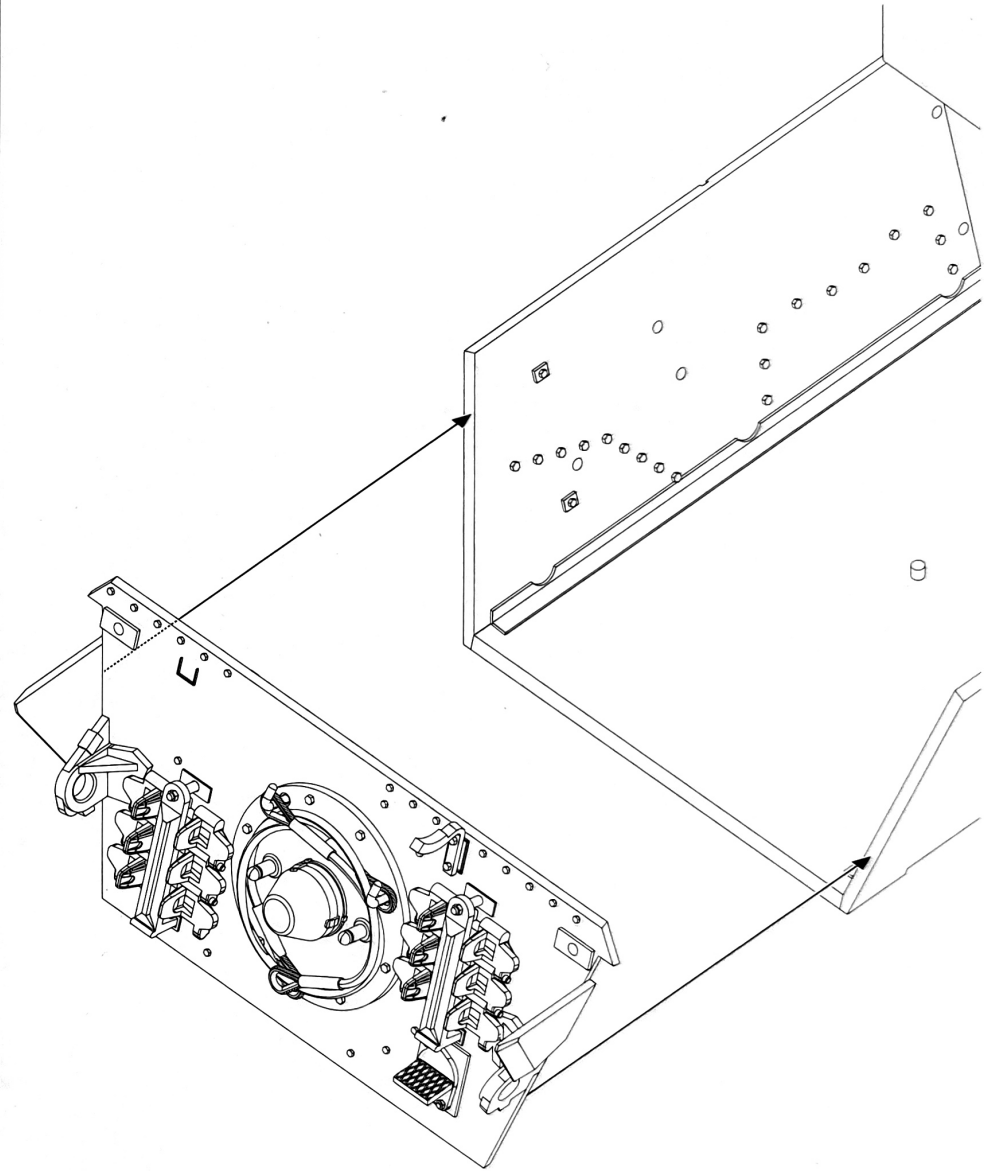
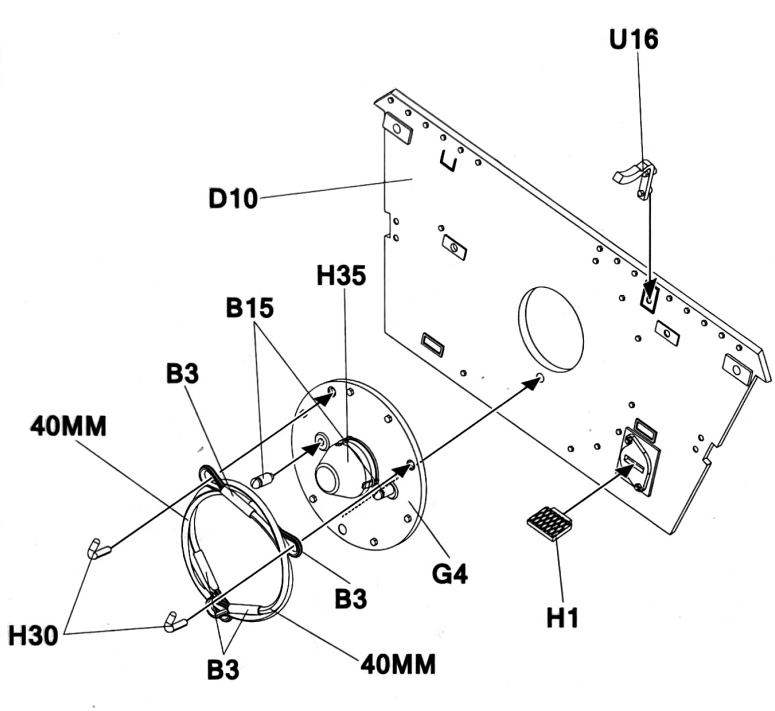
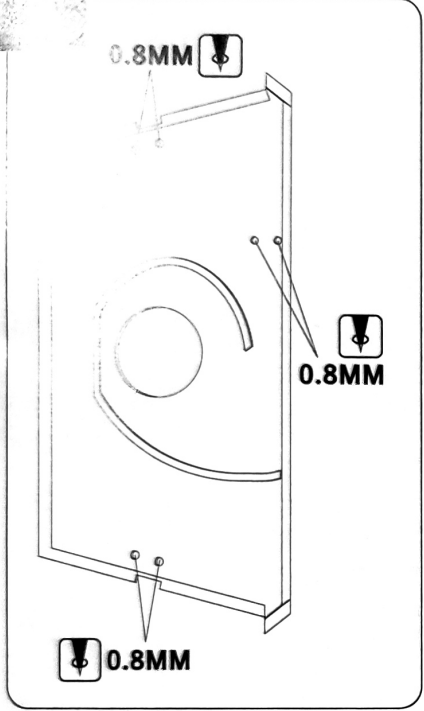
X2

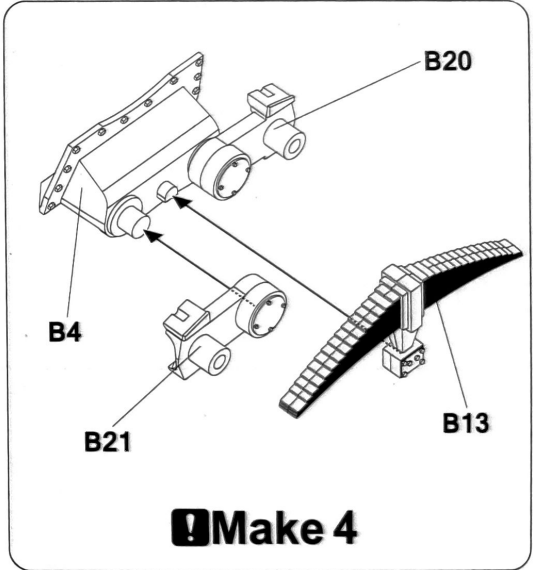
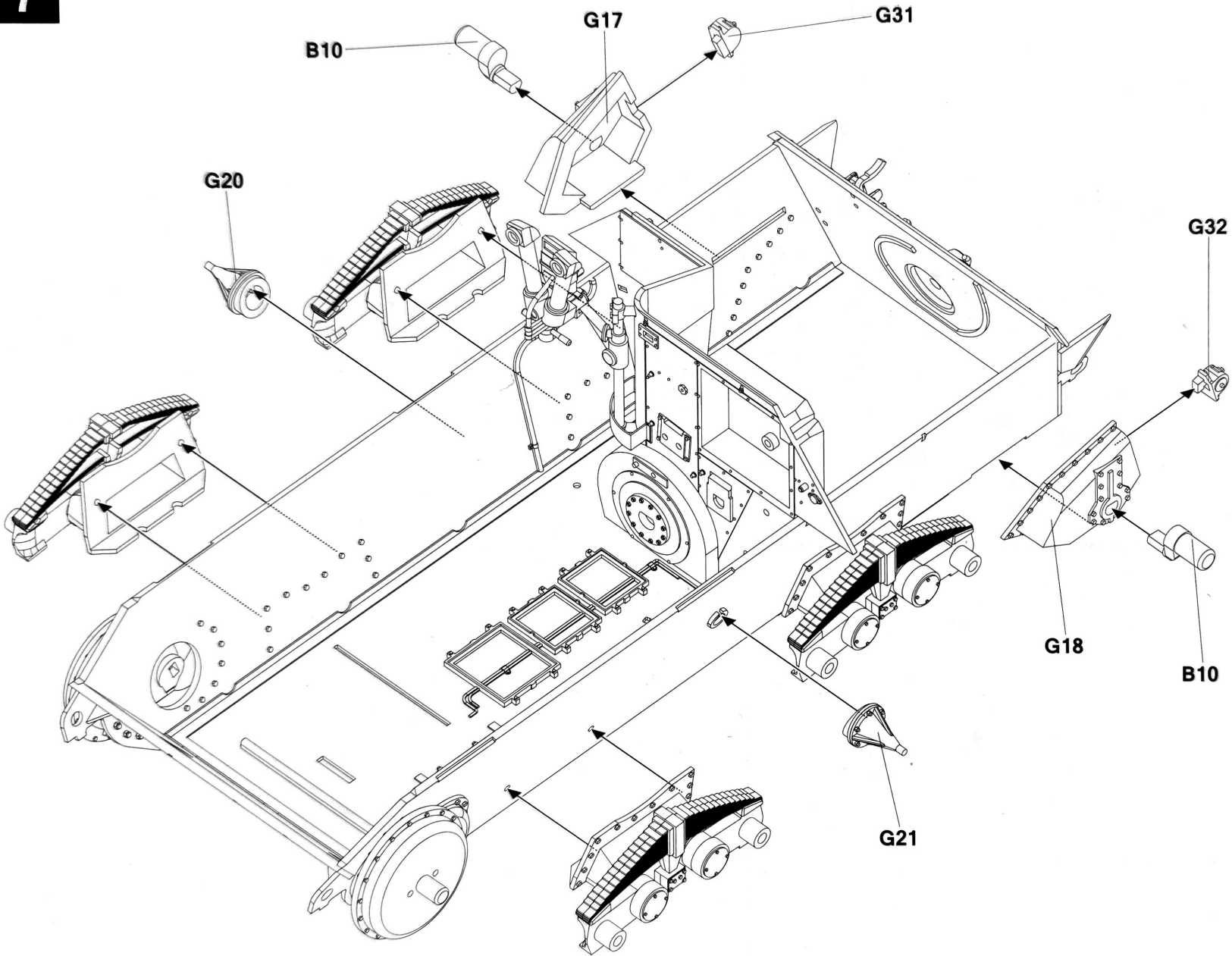
1**2**

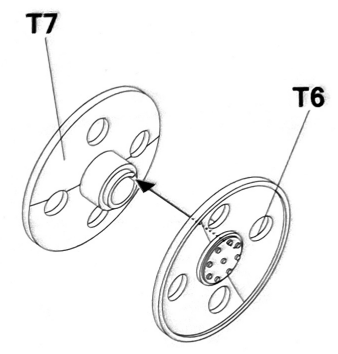
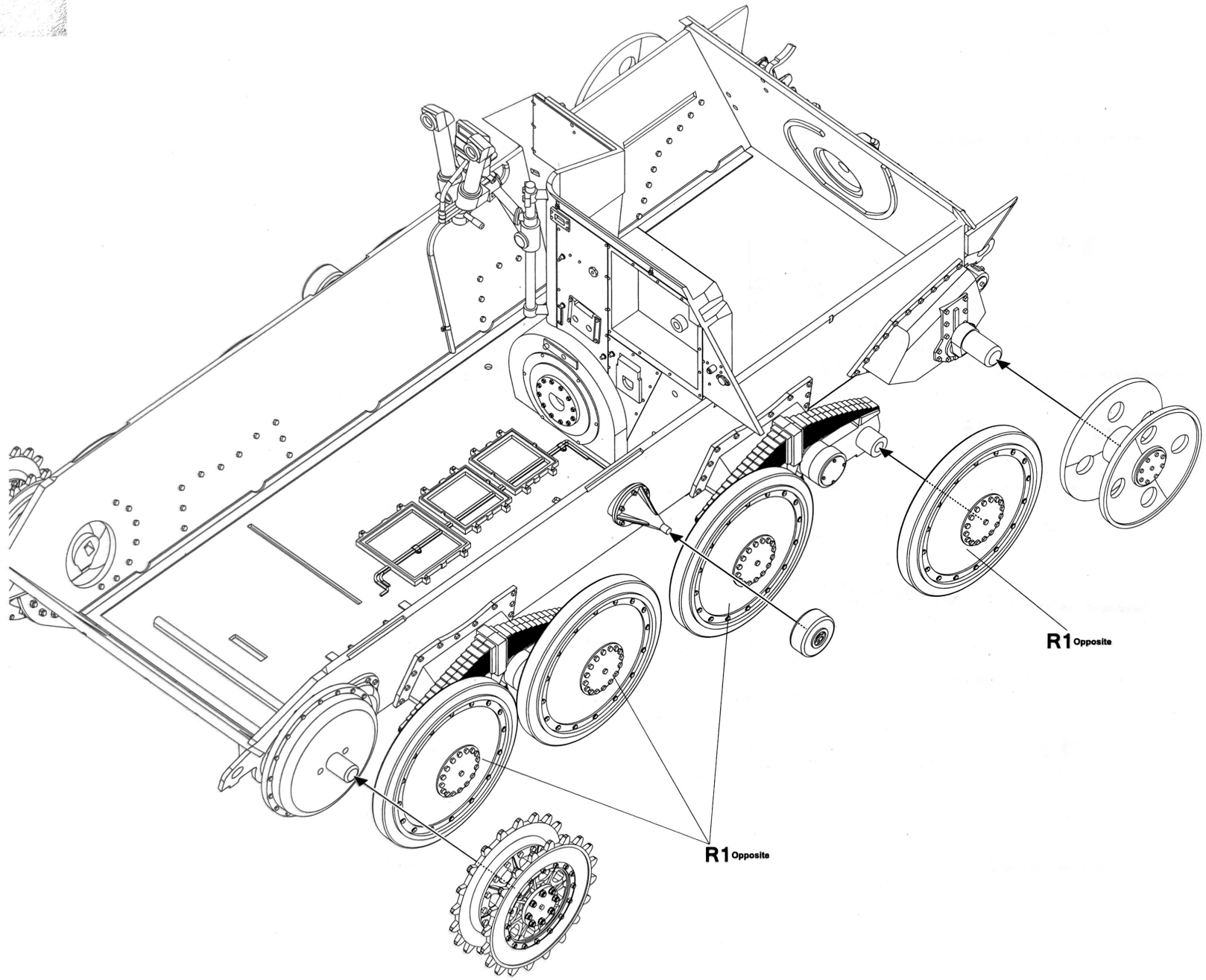
3**4**

5

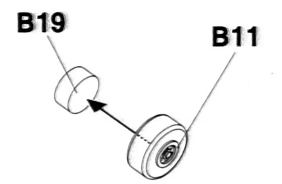




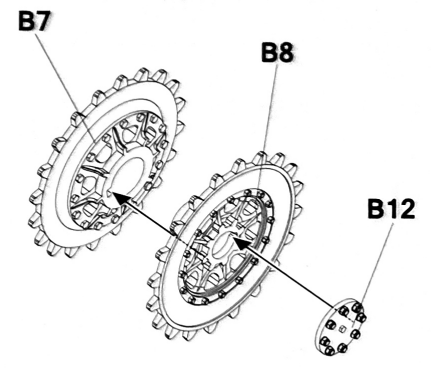




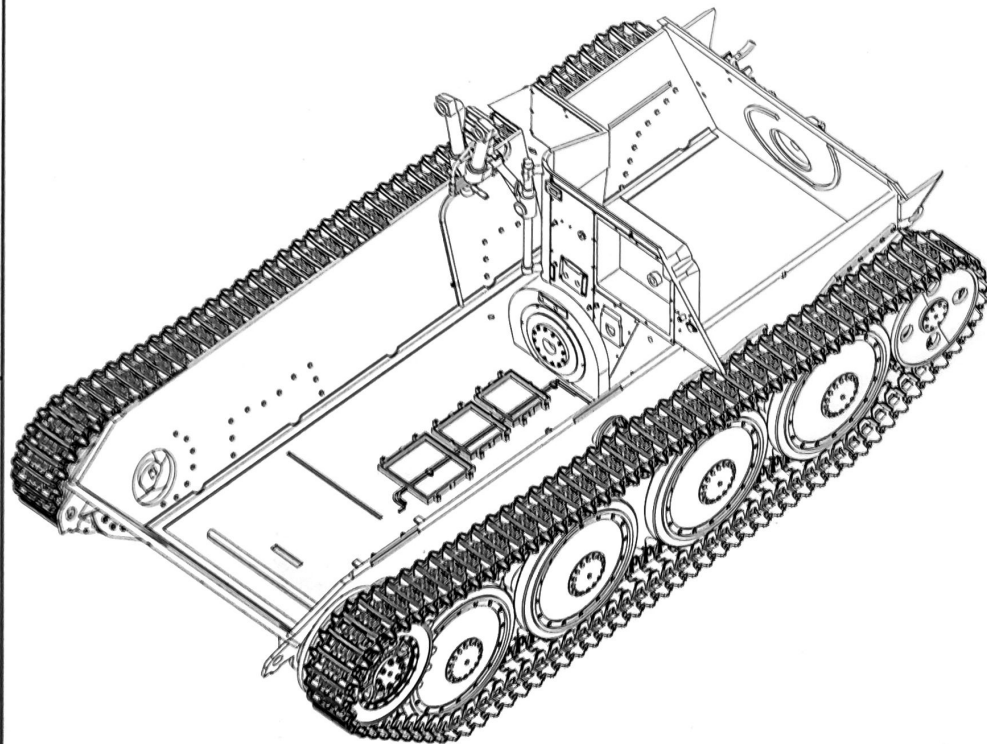
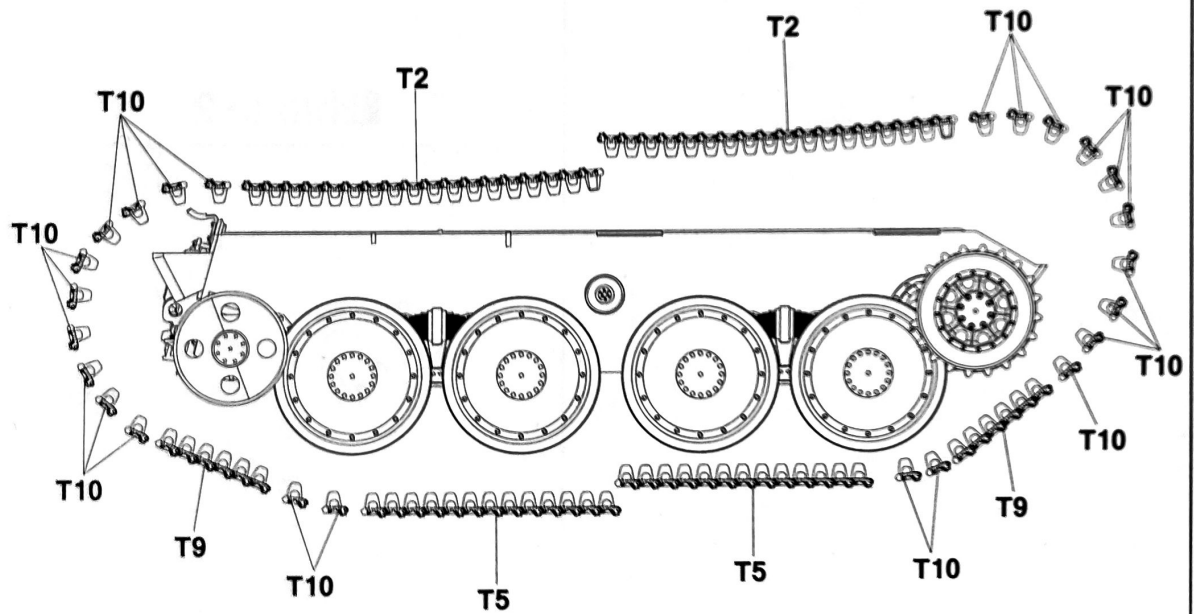
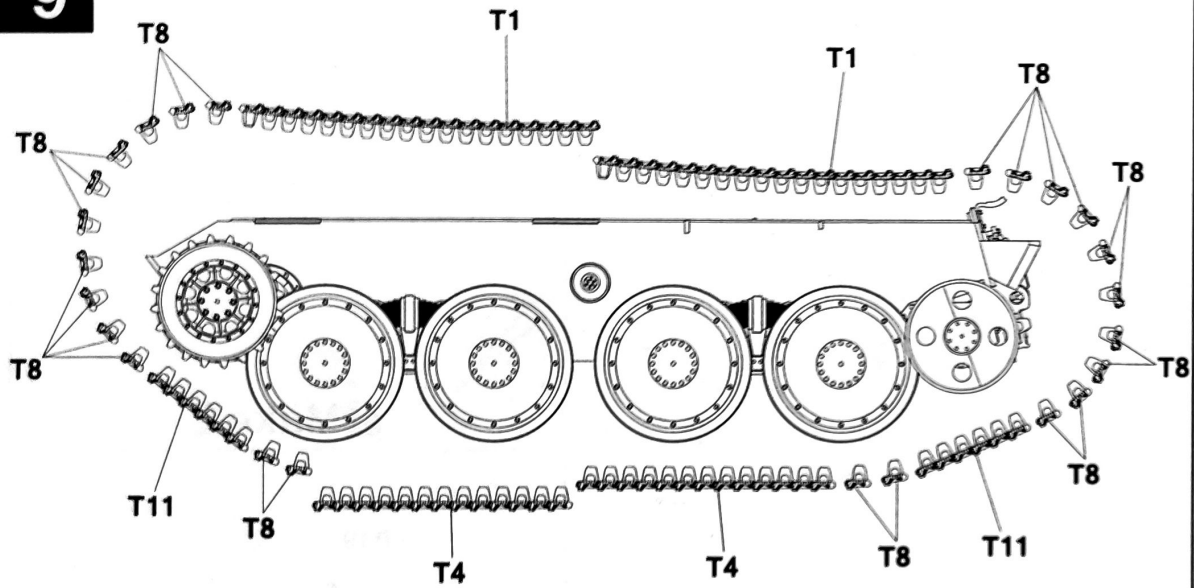
Make 2

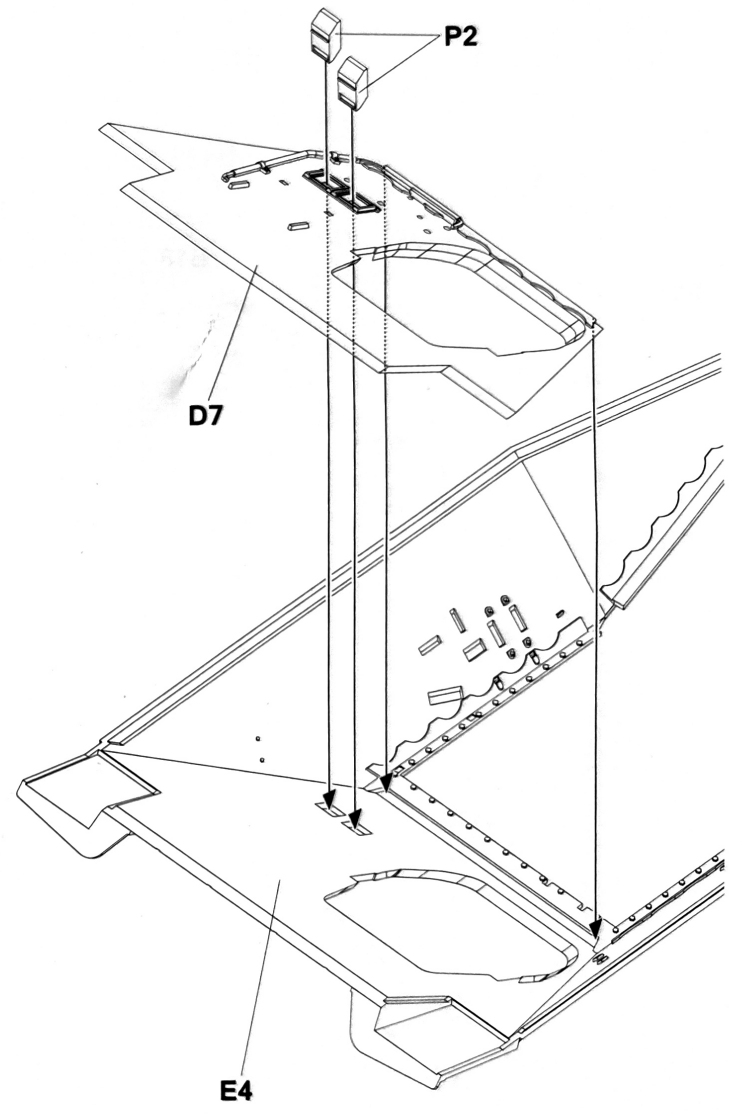
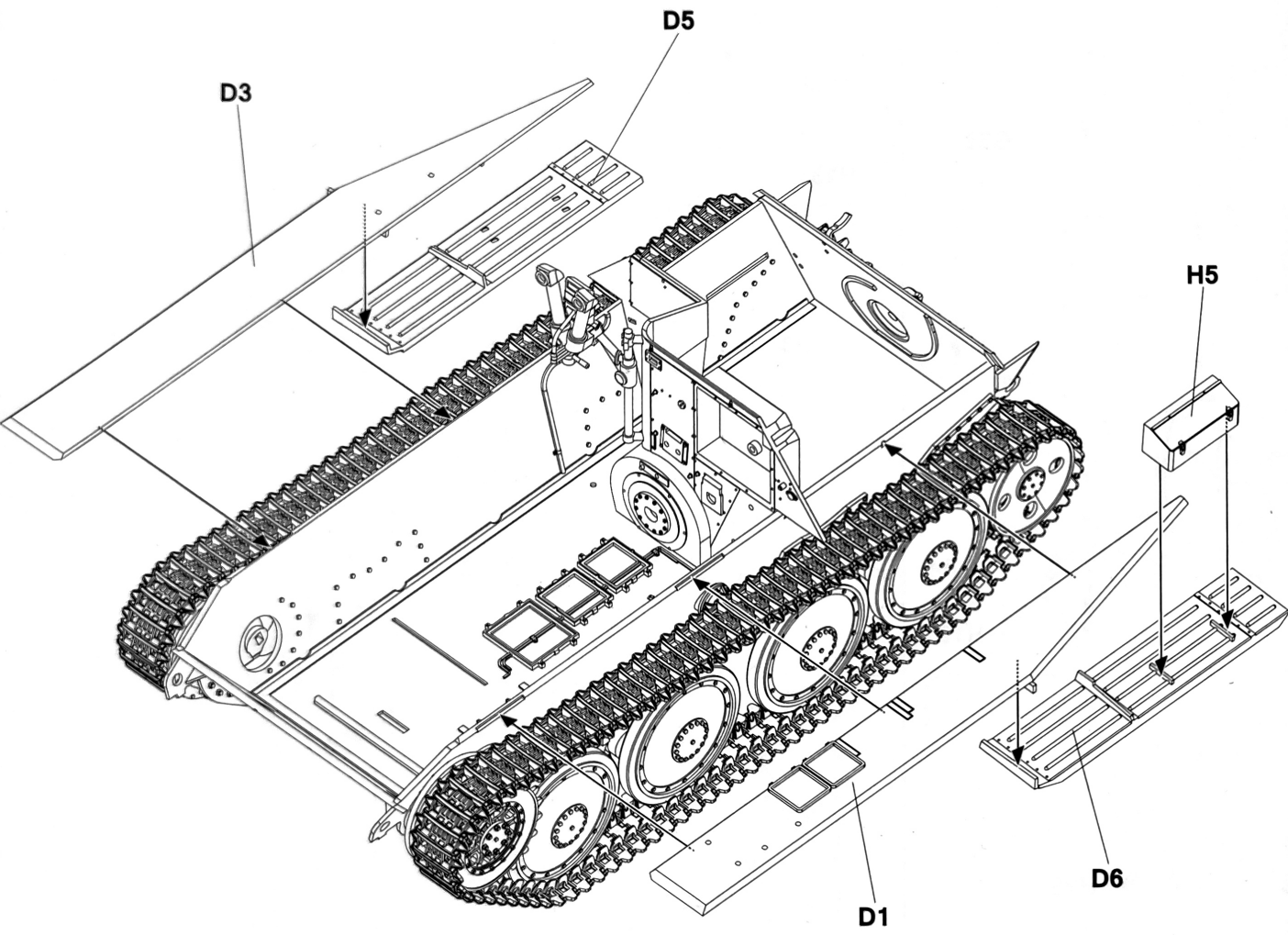


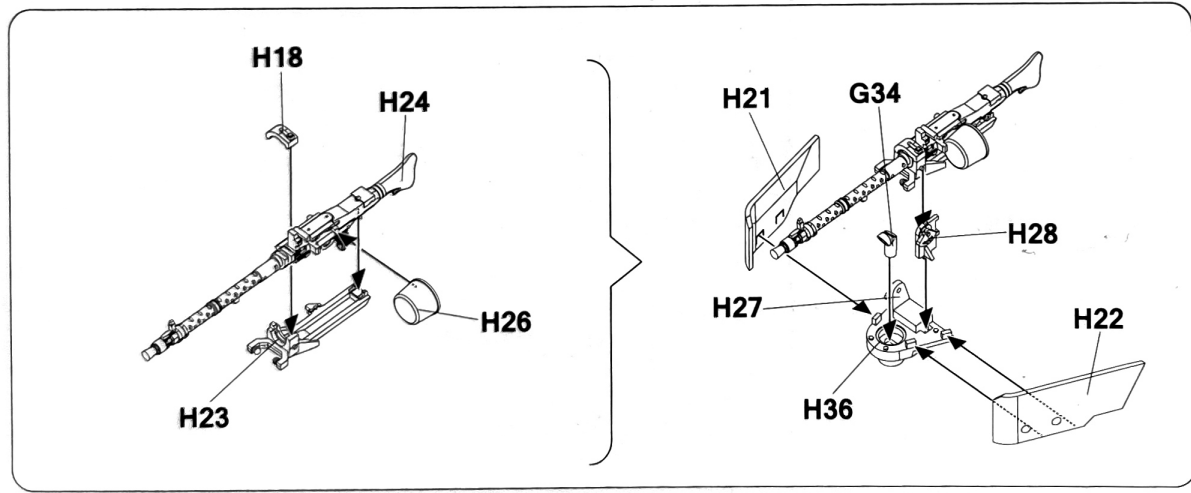
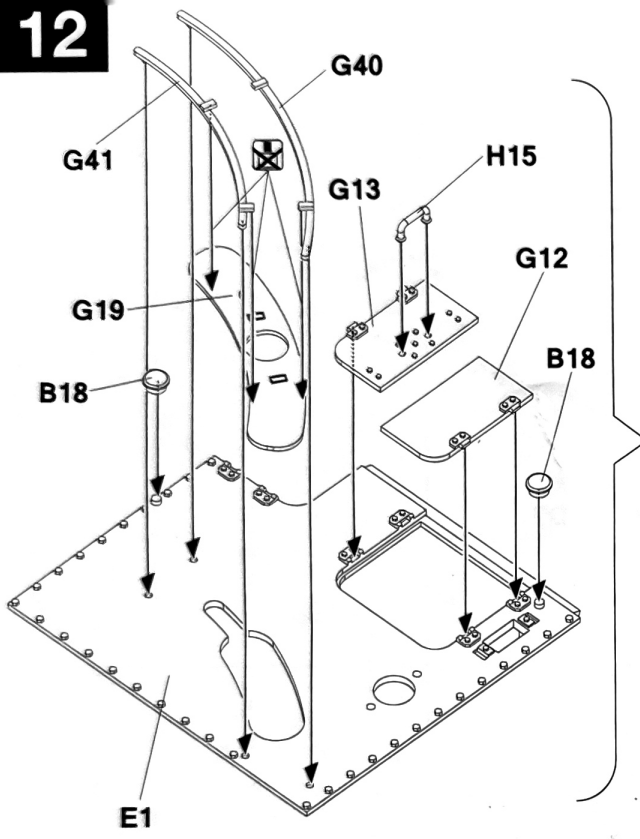
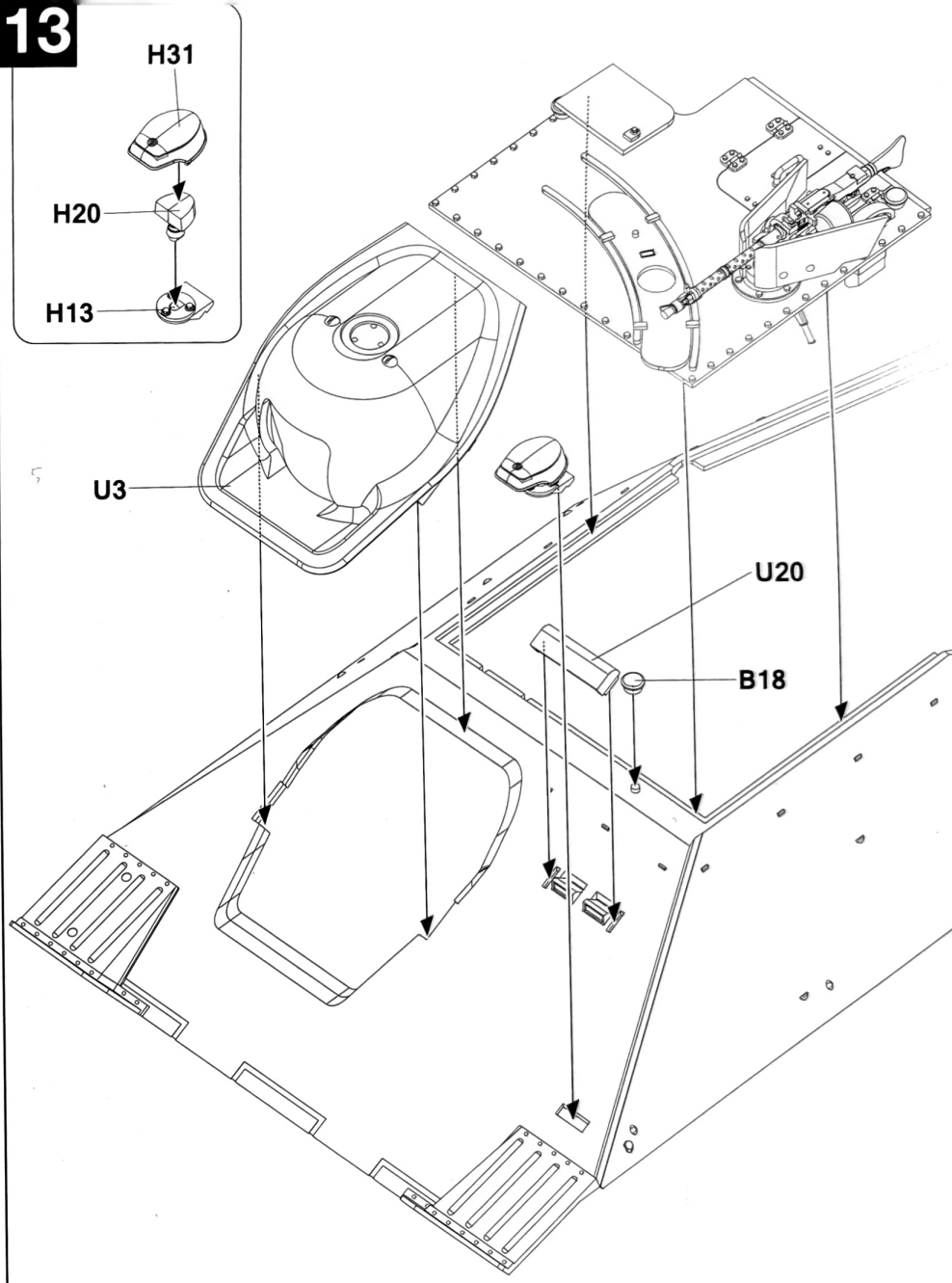
Make 2

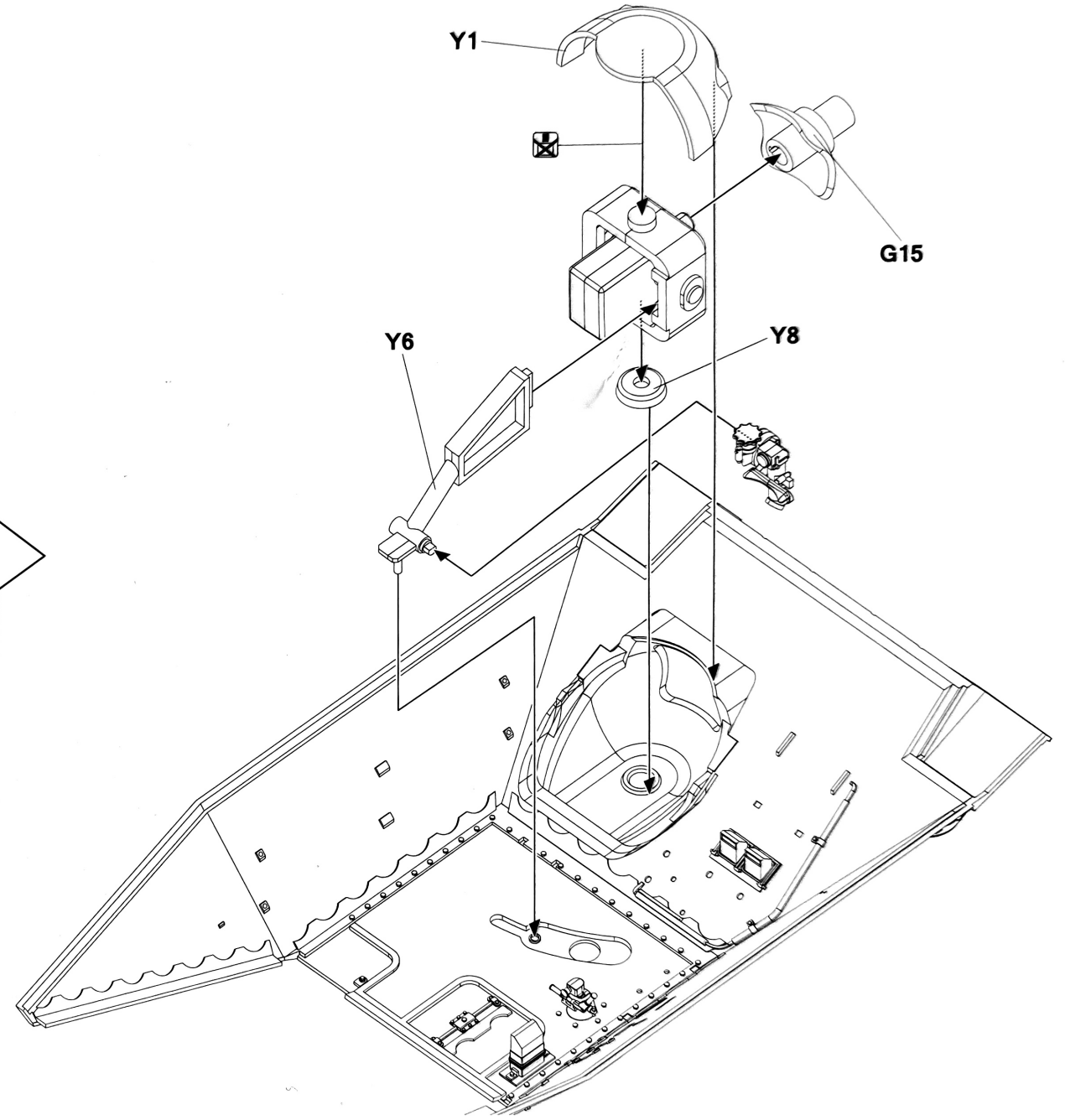
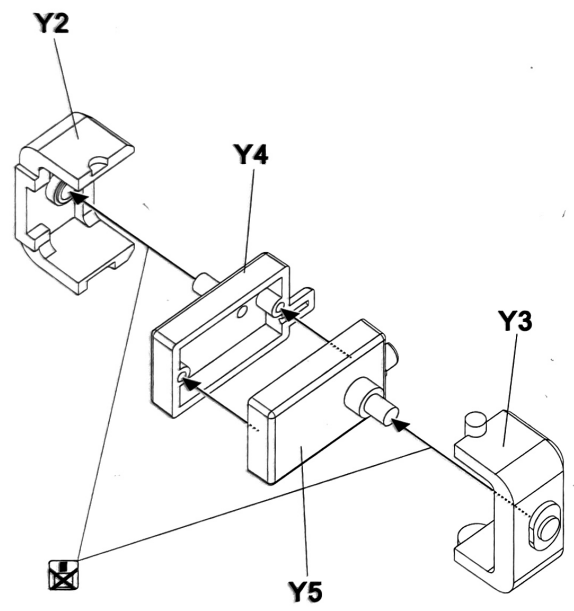
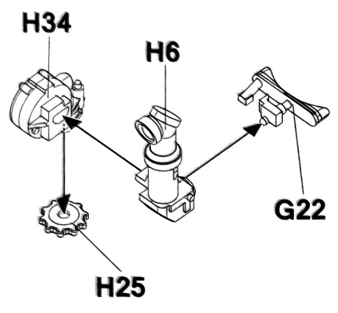


Make 2

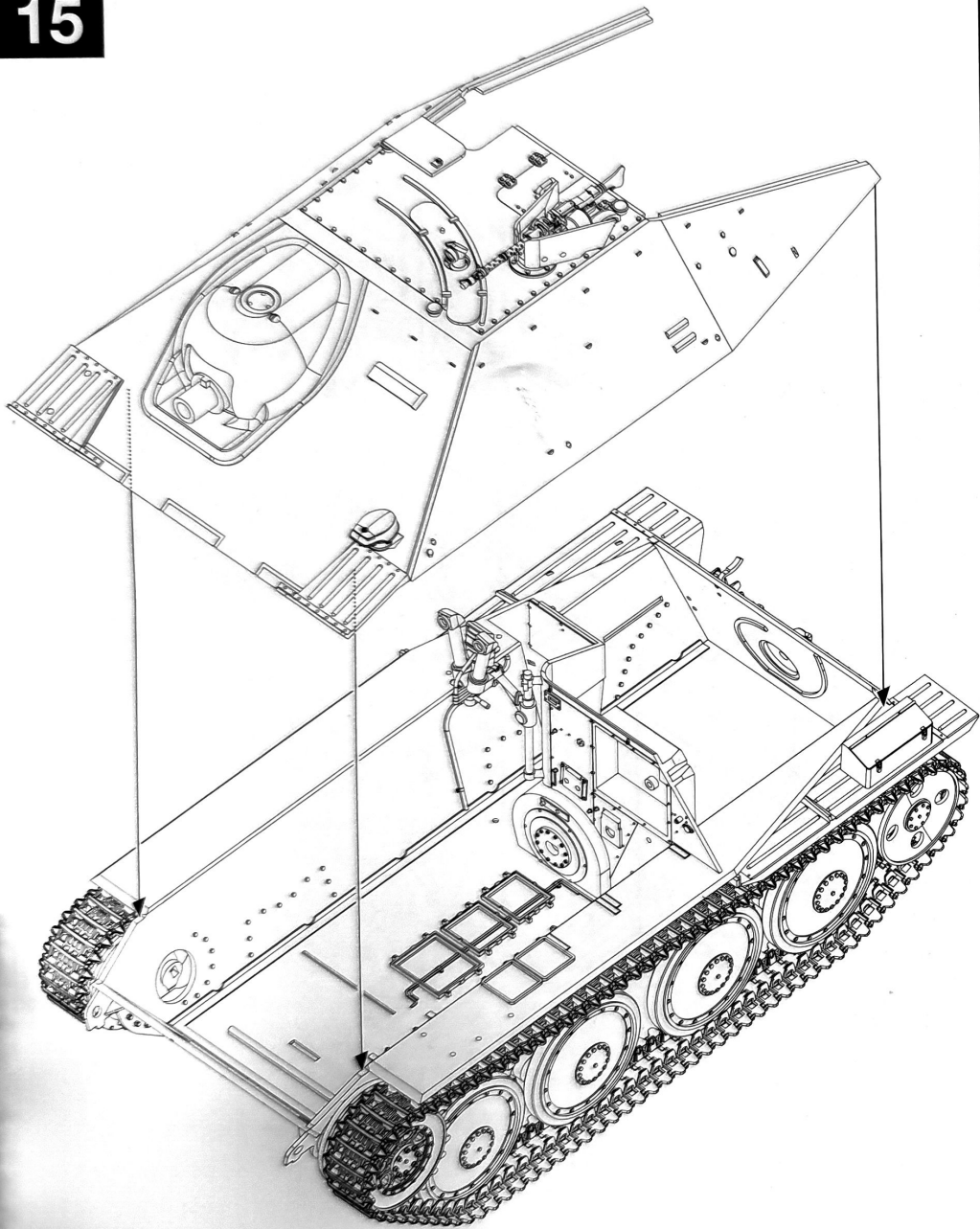




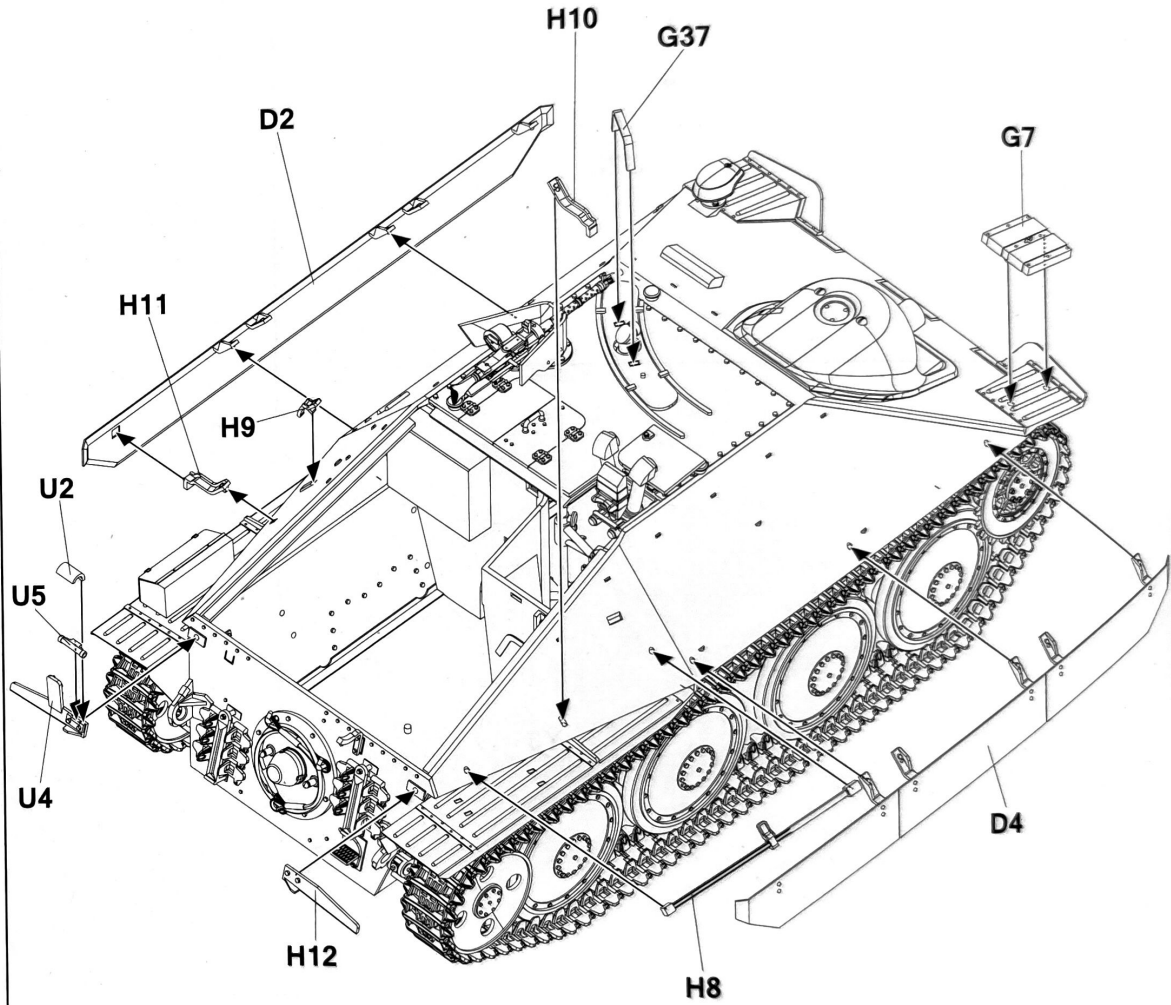
12**13**



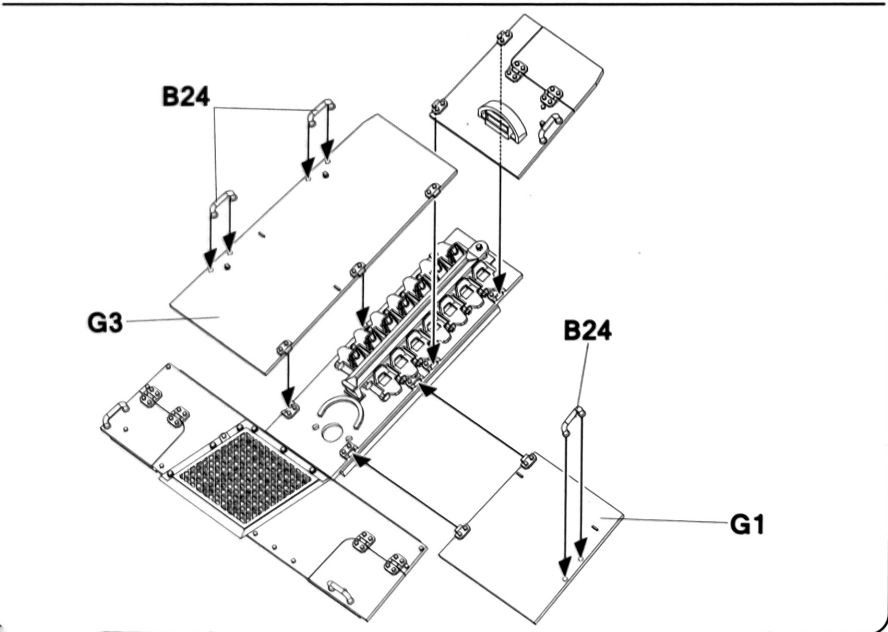
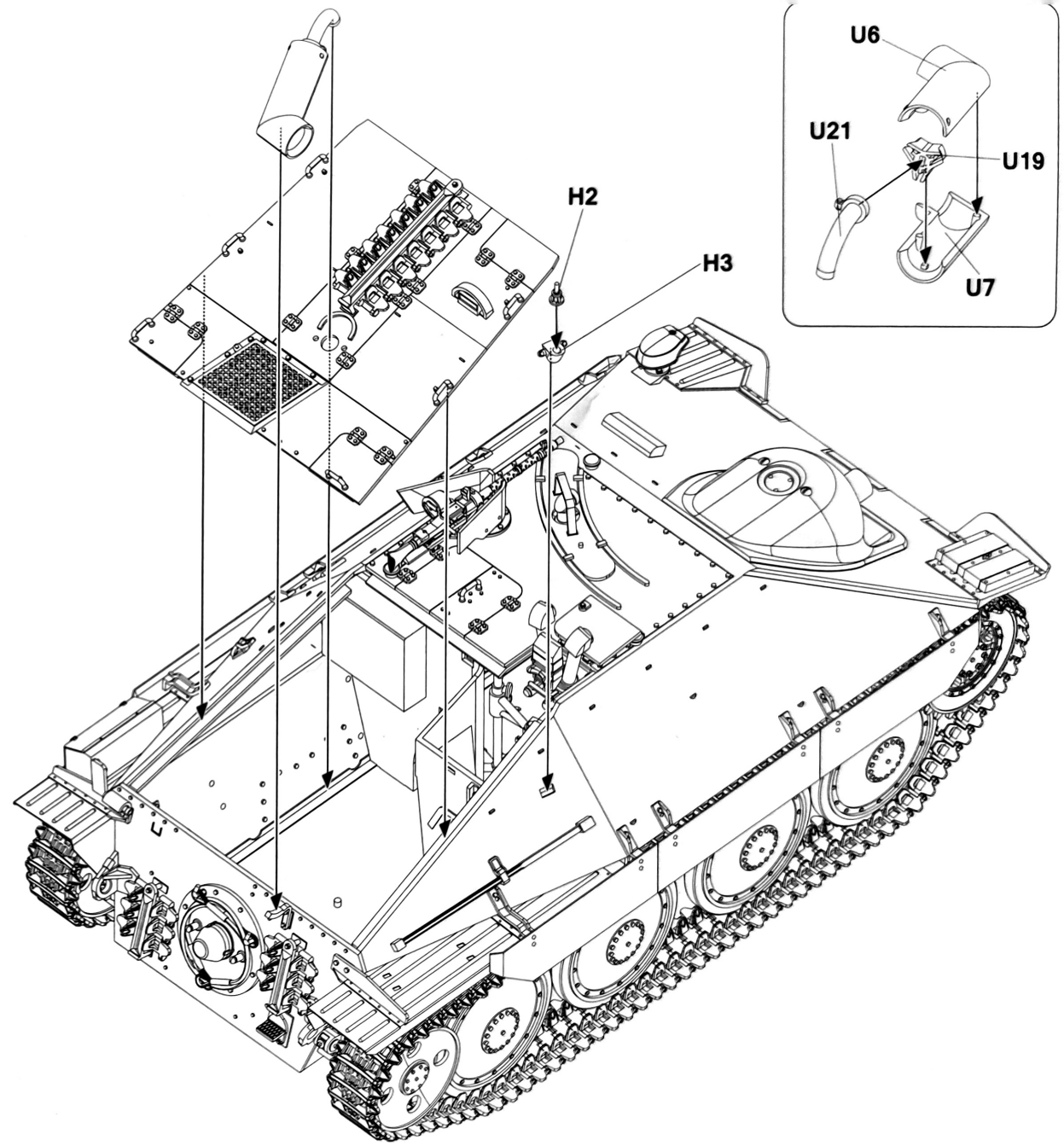
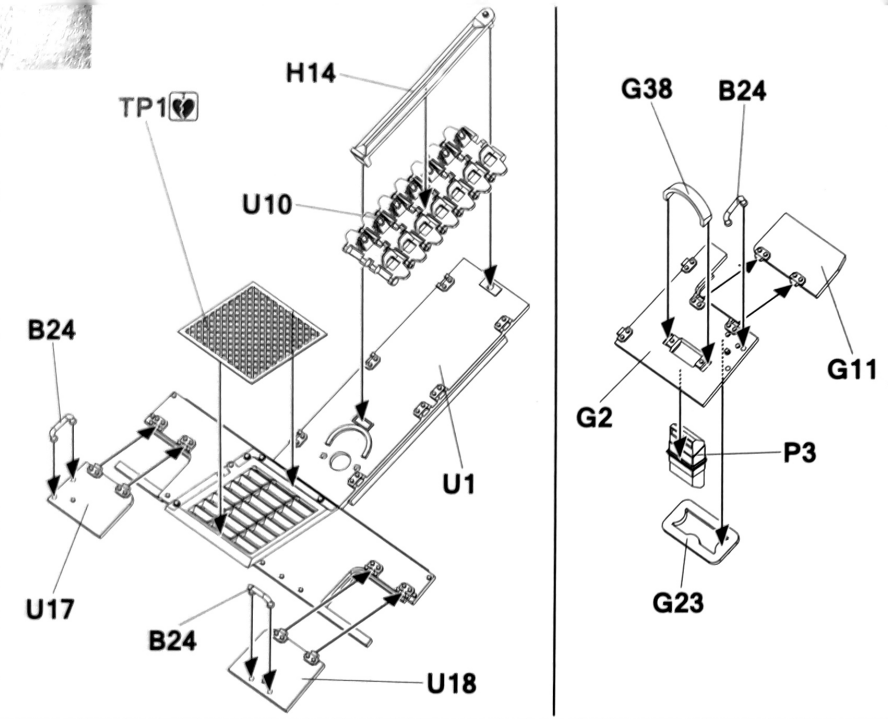
15

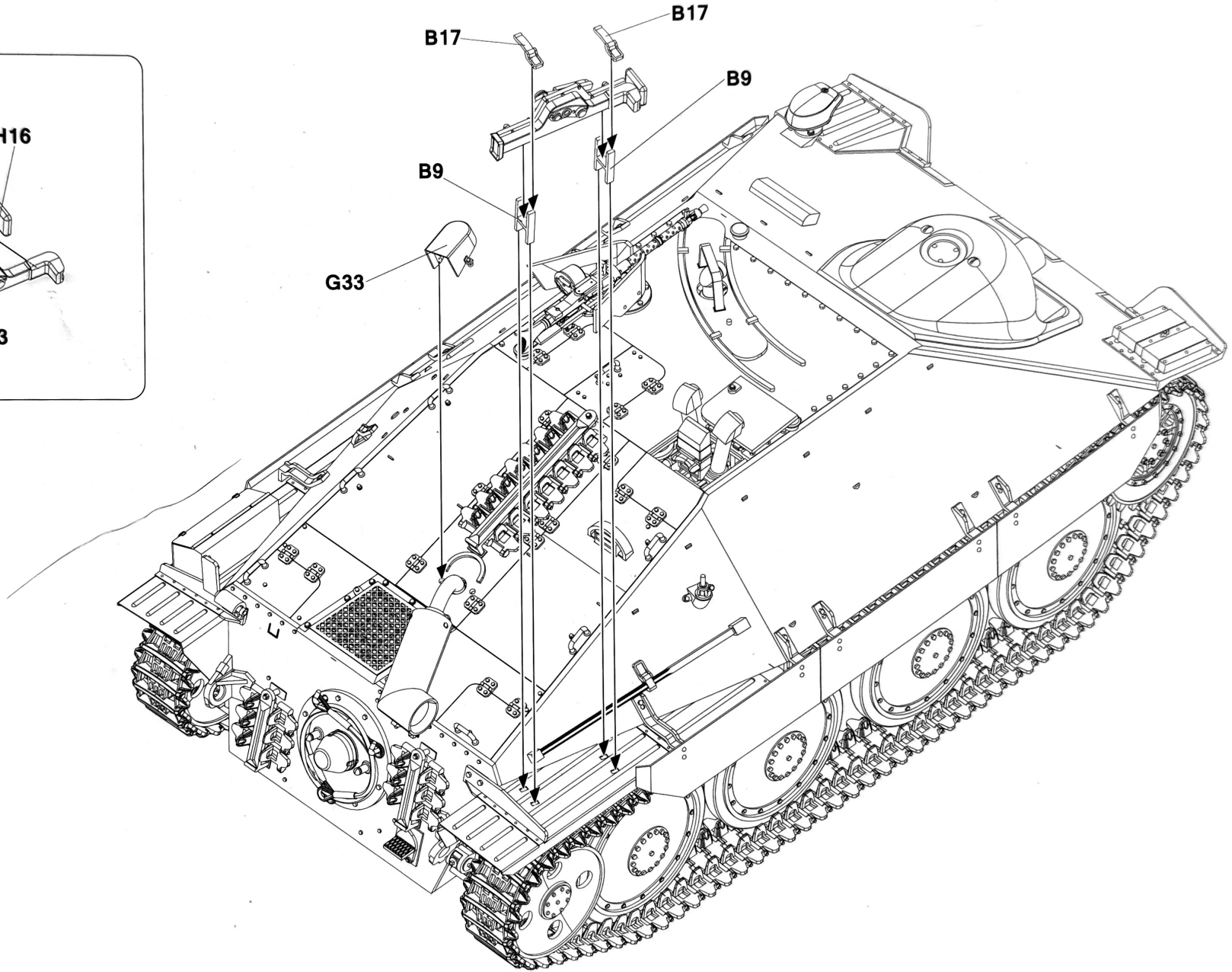
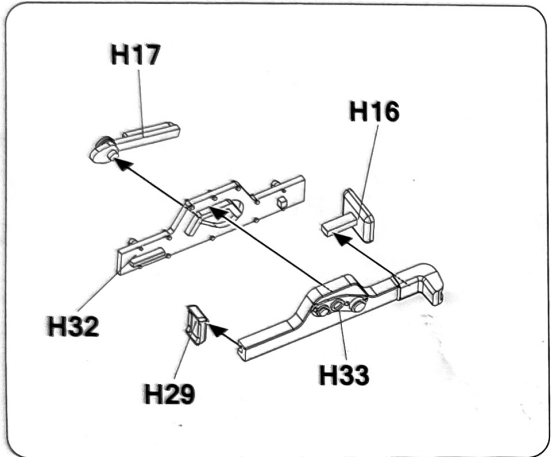


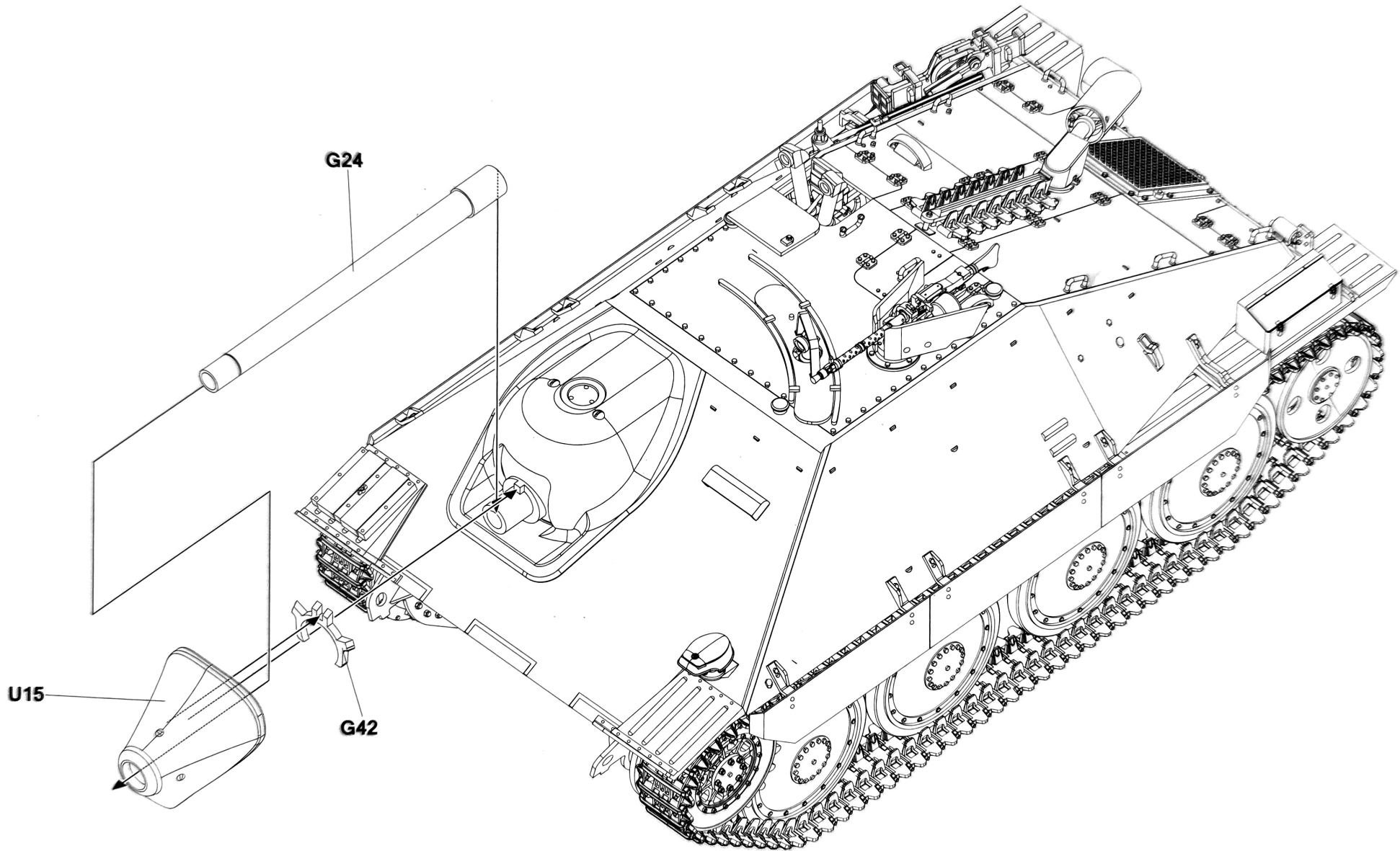
16



26 01 2024







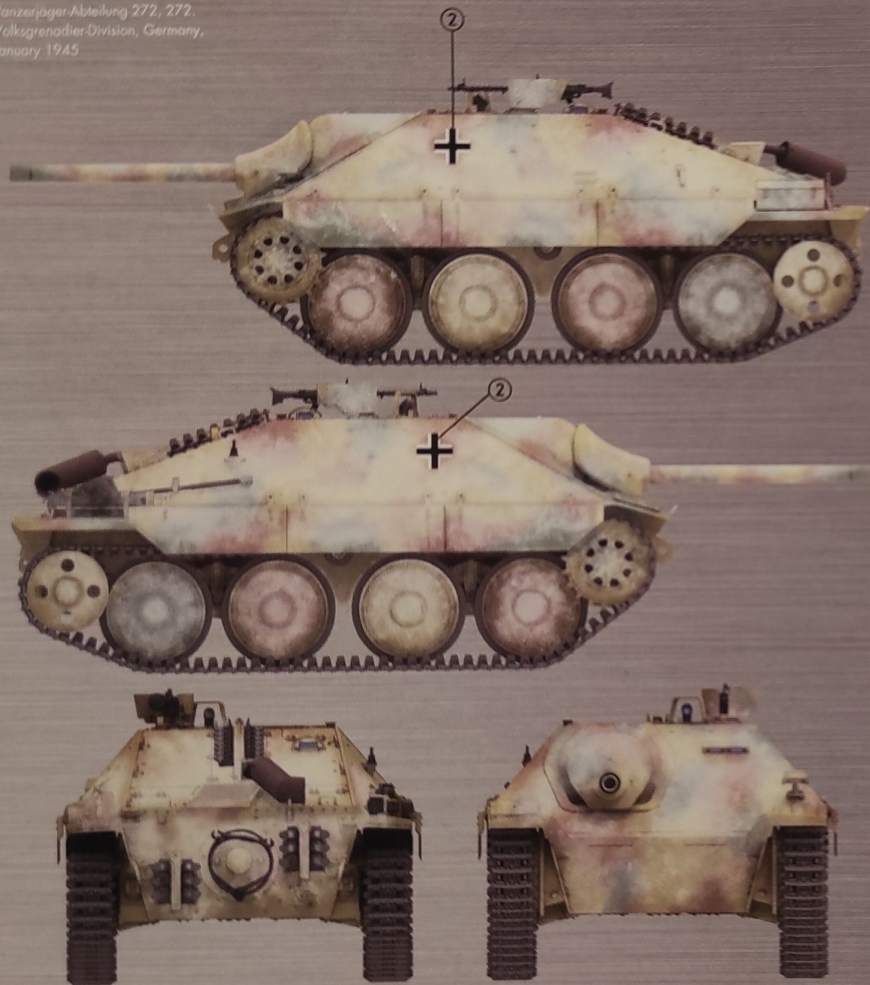
Jagdpanzer 38(t) Hetzer

LATE PRODUCTION

Painting and Marking Guide

TAKOM №: 2172X

Panzerjäger-Abteilung 272, 272.
Volksgrenadier-Division, Germany,
January 1945



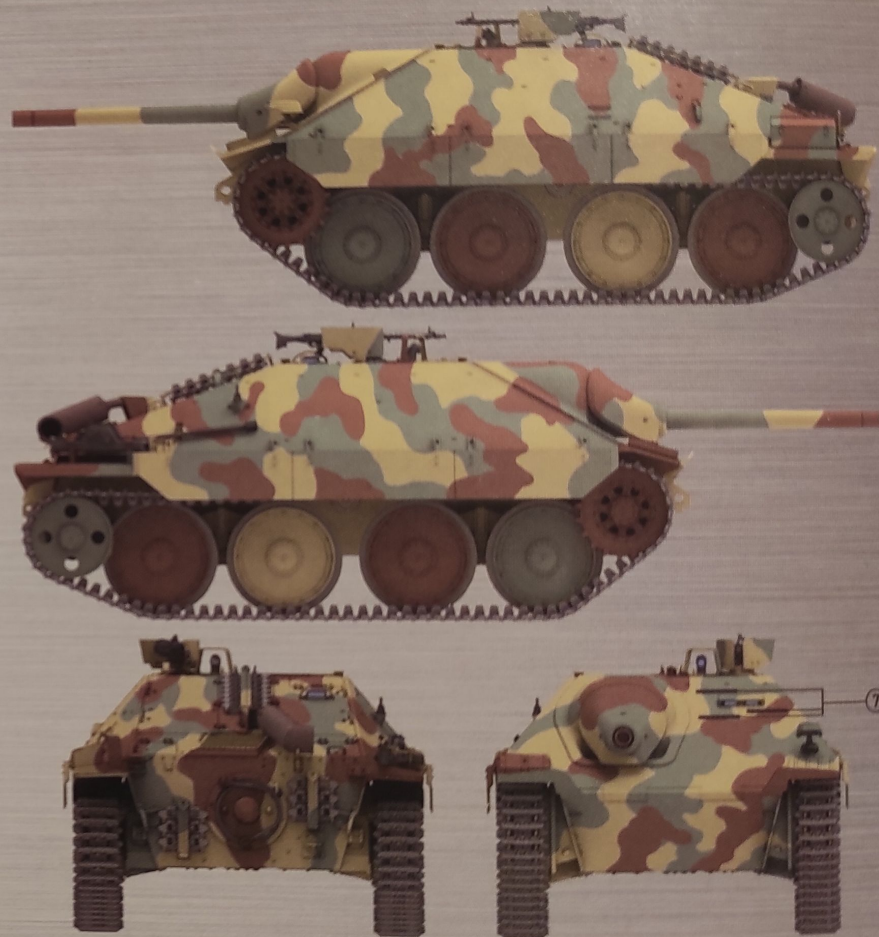
Jagdpanzer 38(t) Hetzer

LATE PRODUCTION

Painting and Marking Guide

TAKOM №: 2172X

East Prussia, March 1945





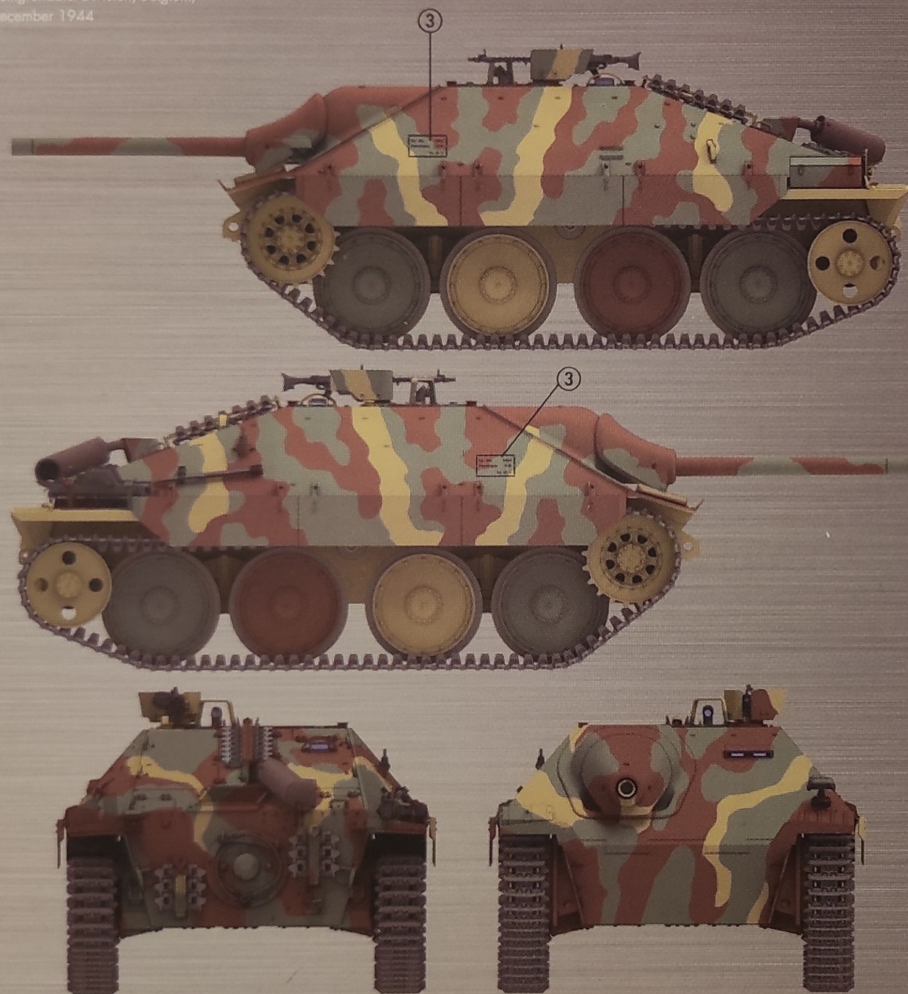
Jagdpanzer 38(t) Hetzer

LATE PRODUCTION

Painting and Marking Guide

TAKOM №: 2172X

Panzerjäger Kompanie 1179, 257.
Volksgrenadier-Division, Belgium,
December 1944



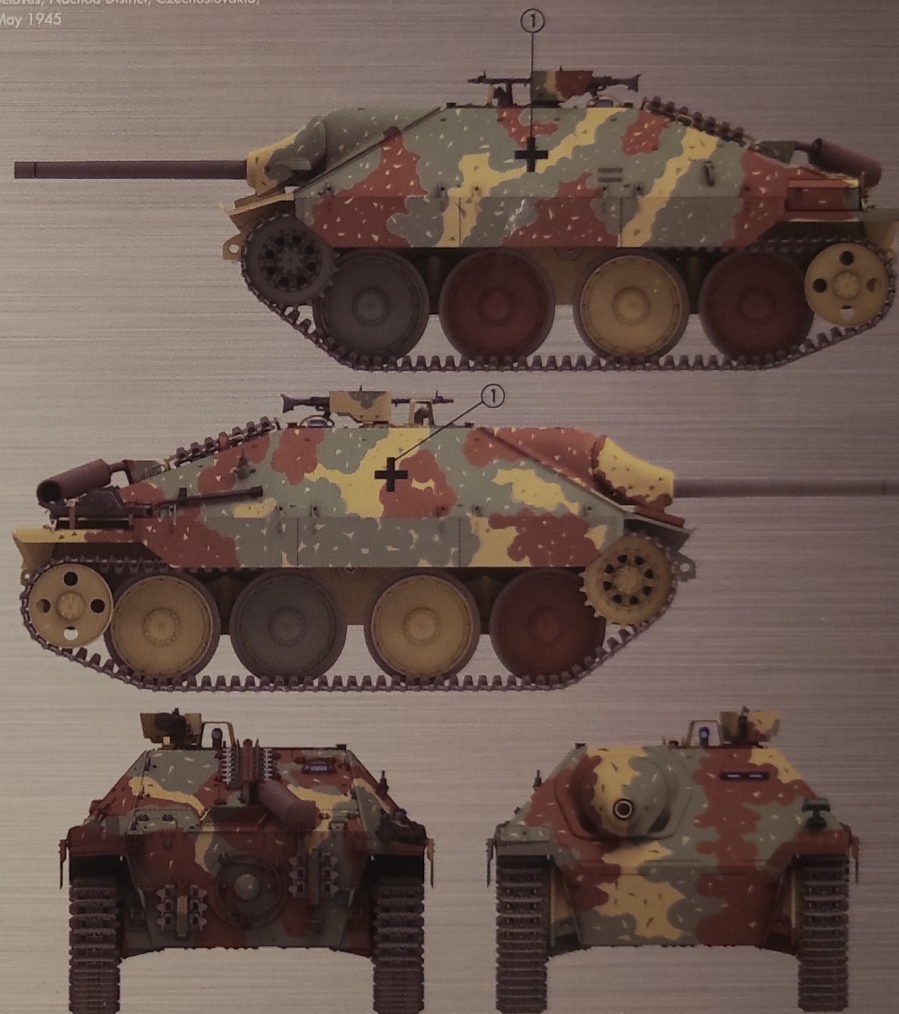
Jagdpanzer 38(t) Hetzer

LATE PRODUCTION

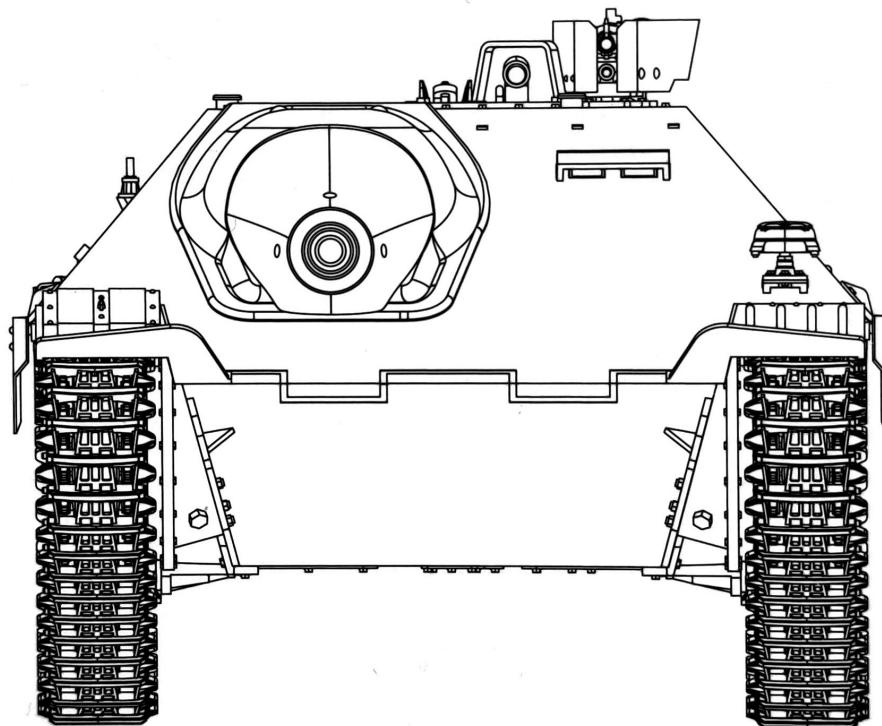
Painting and Marking Guide

TAKOM №: 2172X

Bélóves, Náchod District, Czechoslovakia,
May 1945



2023/2172X



 You can find TAKOM on Facebook.com