

# KV-1 1942 Simplified Turret Tank w/Tank Crew

## 苏联KV-1 1942年型简化炮塔坦克带坦克兵

### READ BEFORE ASSEMBLY:

- Study and understand these instructions thoroughly before beginning assembly
- When needed, remove photo-etch parts carefully using a modeling knife or photo etch sprue cutter, being careful not to damage or lose small parts.
- Take extra care in handling photo etch parts in order to avoid injury
- Apply instant cement sparingly to photo etch parts where instructed
- Tools recommended(not included in kit):Plastic and instant cements, sprue cutters, long nose pliers, modeling knife, small files, tweezers, pin vise & scissors. Soft cloth and sandpaper will also assist in construction
- Glue and paint are not included in the kit. Use plastic cement and hobby paints only. Color guide for purchasing paint is included in the kit.

### 装配之前仔细阅读

- 小心用模型锉刀锉平所有零件表面的注射浇口。
- 小心用刀片切下蚀刻片零件，不要遗失小零件。
- 用强力快干胶水粘合蚀刻片零件和金属轴。过量快干胶水使用可能导致可动零件会粘住，小心涂胶。
- 取蚀刻片时应特别注意安全，防止利边划伤手指。
- 某些零件表面需贴水上贴纸，请选择在装配的同时进行。
- 推荐模型工具(自备)：胶水，水口剪刀，长咀钳，刀片，锉刀，镊子，钳，钻，剪刀，瞬间快干胶。
- 软布同砂纸同时也是所需工具。
- 请使用塑料胶水和油漆，模型内不含。



使用强力胶  
Cyanoacrylate glue



配重  
Weight



钻孔  
Make hole



切除  
Cut / Remove



贴纸  
Decal



锉平  
File / Sand



选择  
Option



不涂胶水  
No cement



弯曲  
Bend



先装  
Install it first



填补  
Repair

### 水贴纸的使用:

- 1.从水贴纸上剪下印花;
- 2.将印花放入温水中浸10秒, 然后放在干净布上。
- 3.拿着印花纸将印花移到模型上;
- 4.手指蘸水将印花移到适当的位置;
- 5.用软布轻压印花直至水干, 汽泡消失

### DECAL APPLICATION

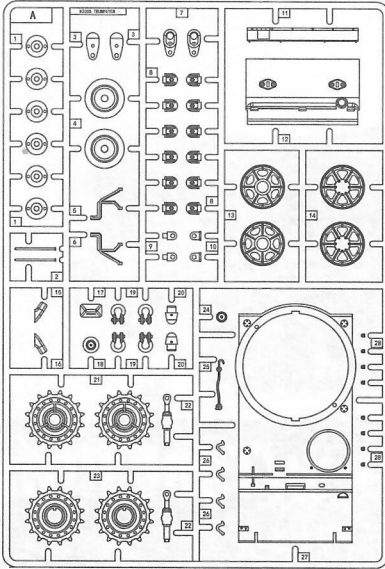
- 1.Cut decals from sheet as needed
- 2.Dip the decal in warm water for about 10 seconds and then place on soft clean cloth.
- 3.Hold the decal backing sheet edge and gently slide the decal onto the model in its proper position.

- 4.While still wet,decal can be adjusted for better fit on model by dampening it gently with your finger.
- 5.When placed in the proper position,gently press decal down with a soft cloth until excess water and air bubbles are gone.
- 6.Allow decal to dry completely before handling model

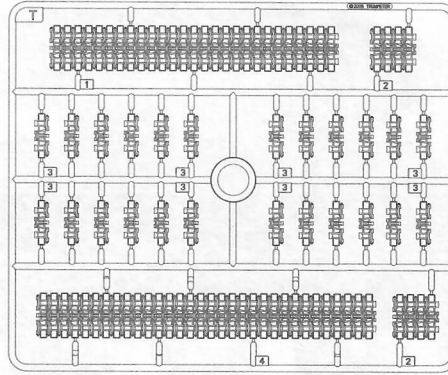
\* 说明书中含有重要信息, 应保留。 Please Keep instruction since it contains important information.

# 部品图 Parts

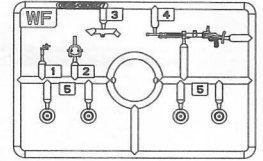
**A**



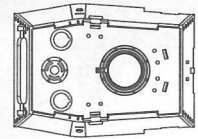
**Tx2**



**WF**



《炮塔》  
Turret



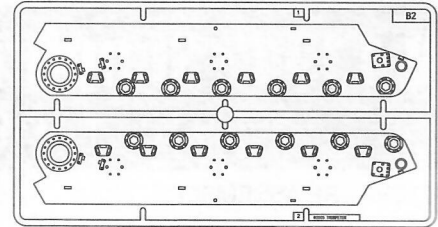
《聚乙烯套》  
Poly cap



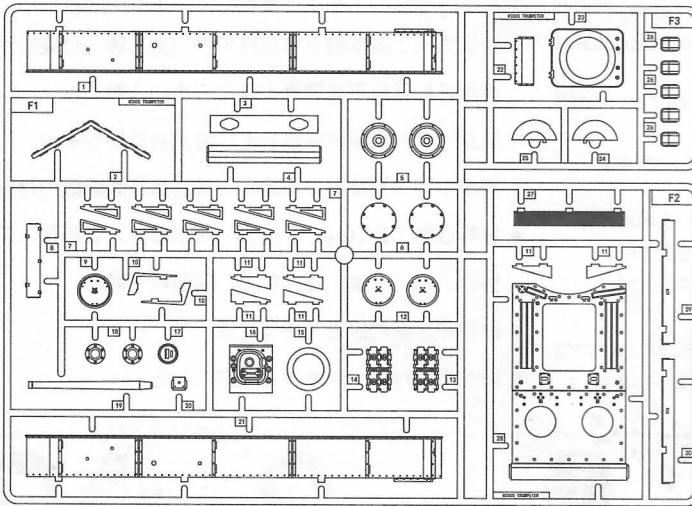
《铜线》  
Cable  $\phi 0.8 \times 150\text{mm}$



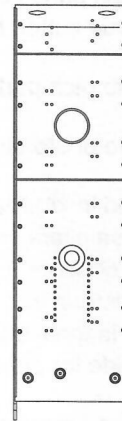
**B2**



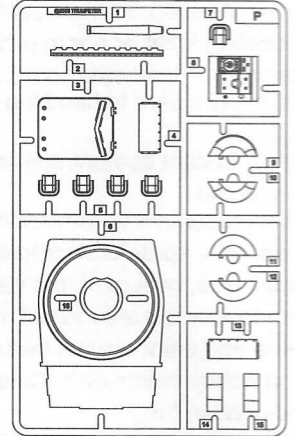
**F**



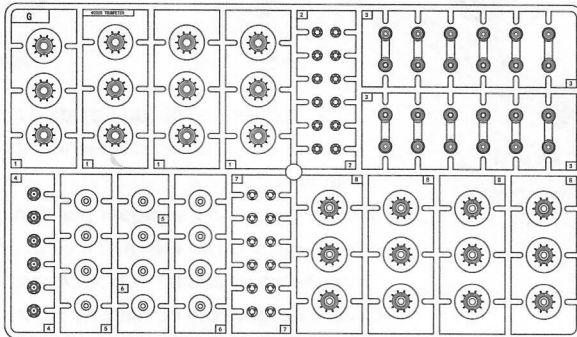
《车底》  
Lower hull



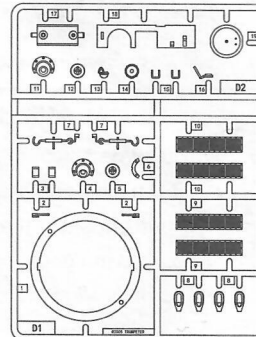
**P**



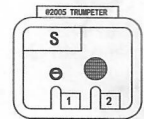
**G**



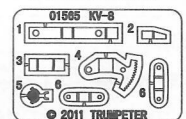
**D**



**S**



《蚀刻片》  
Photo Etched




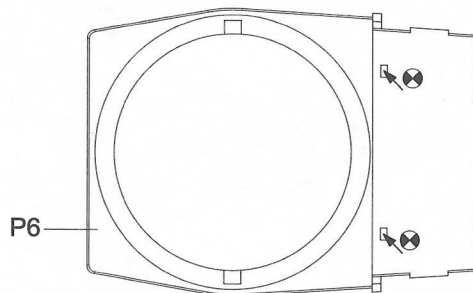
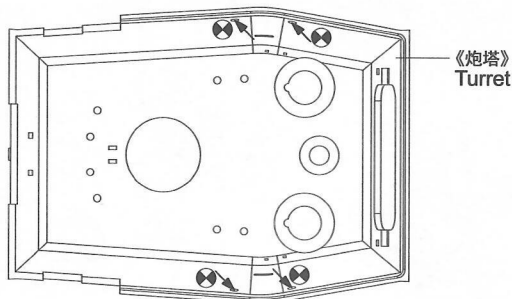
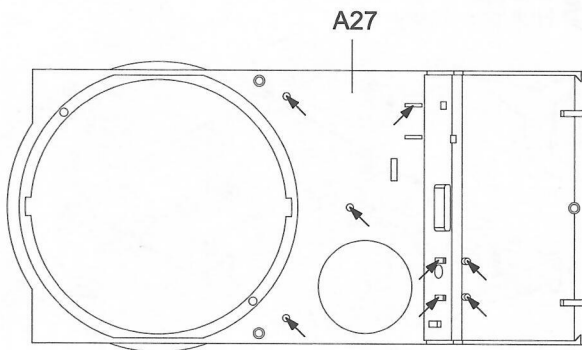
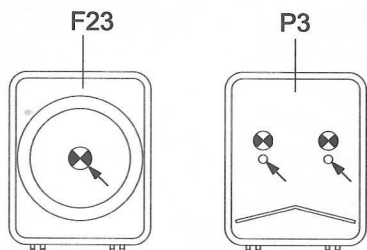
《水贴》  
Decal



钻穿图中指示的孔位  
Make holes

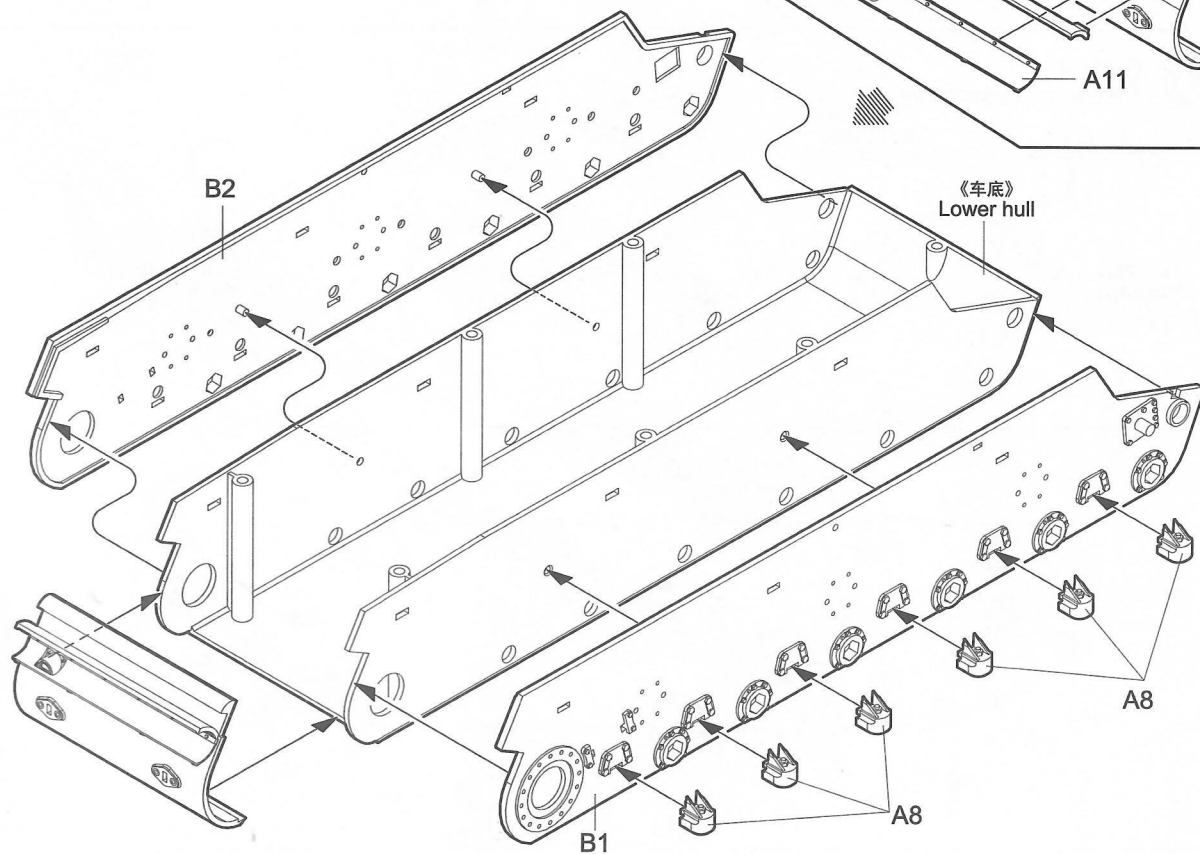
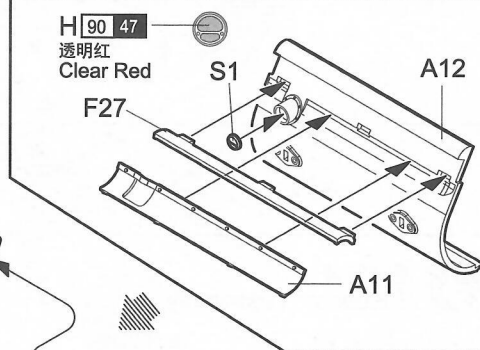
标记  处为选择性定位孔，参考第16步。

The hole with "" is optional refer to step 16 please.

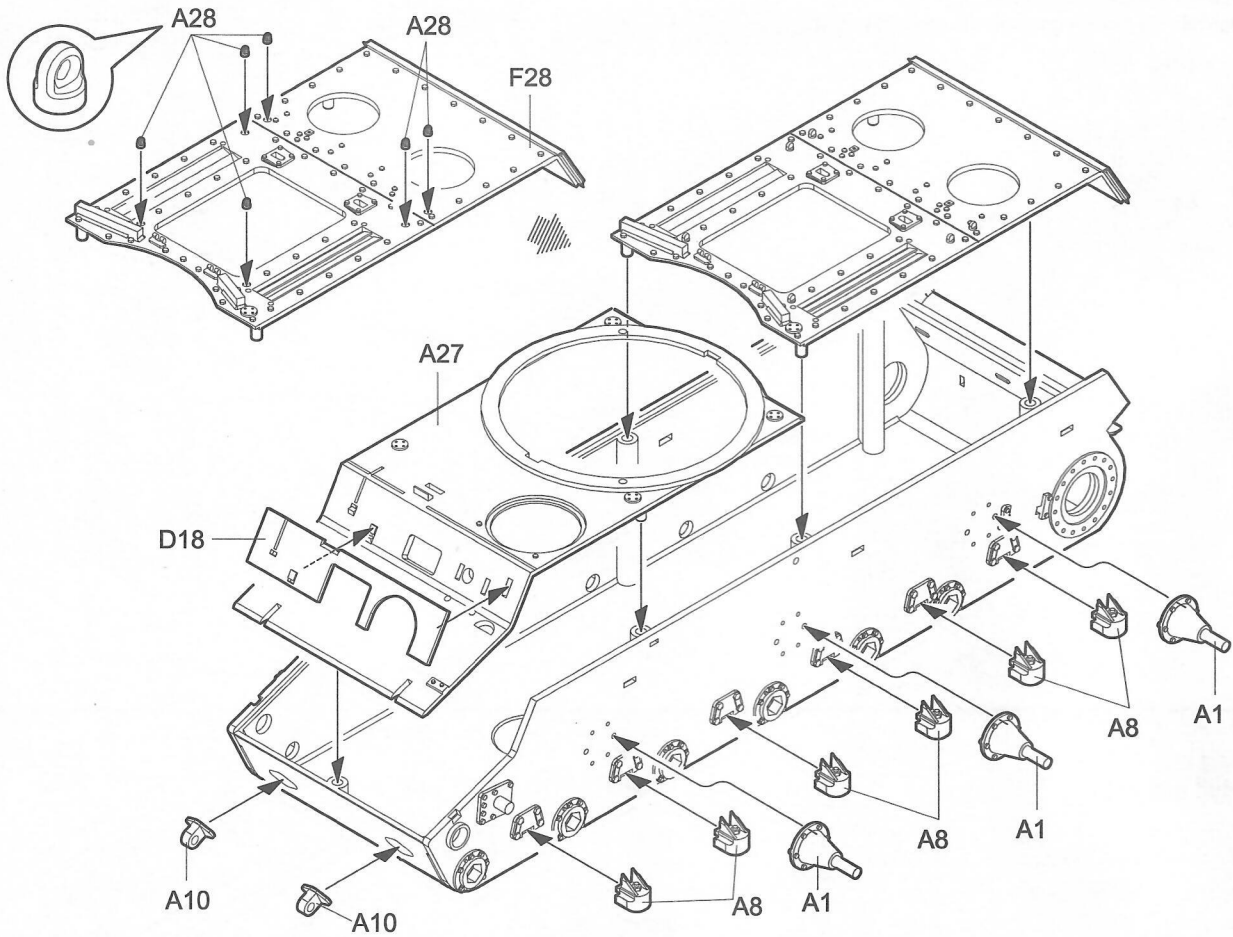


1 车体组装  
Hull assembly

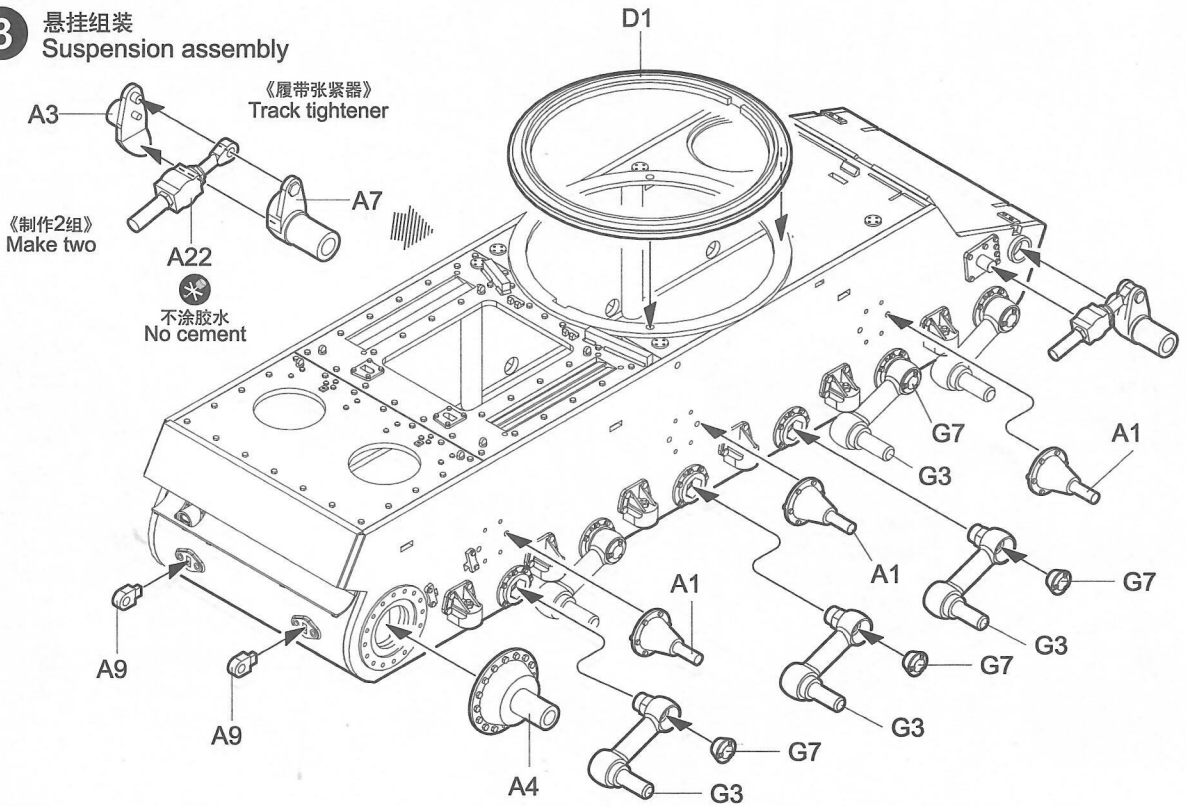
H 90 47  
透明红  
Clear Red



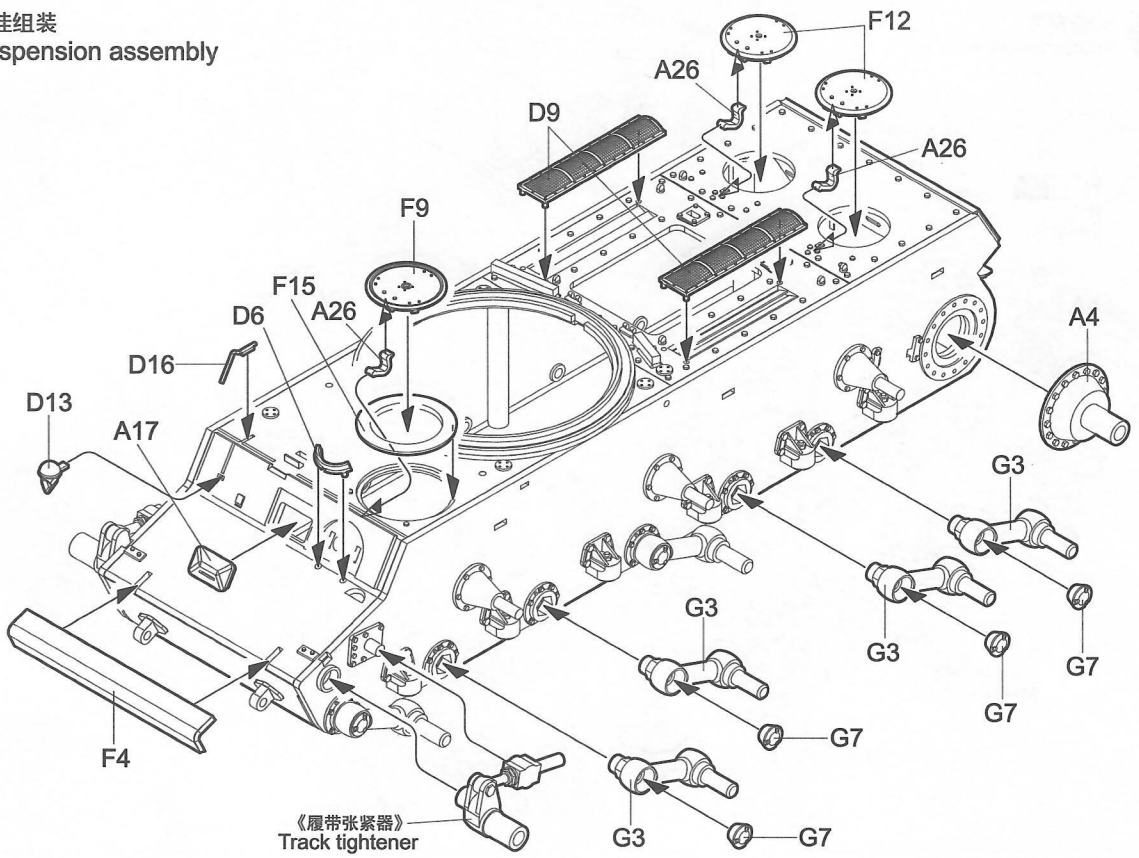
**2** 车体组装  
Hull assembly



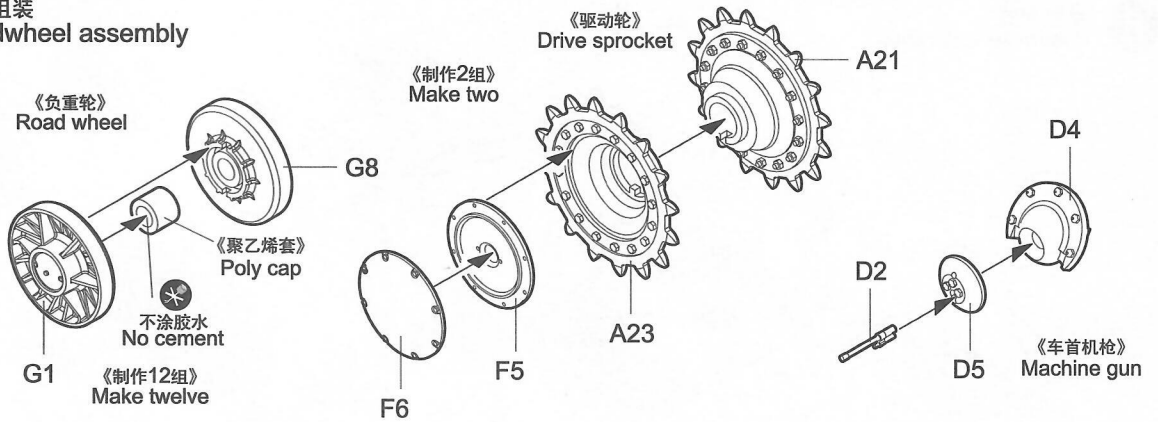
**3** 悬挂组装  
Suspension assembly



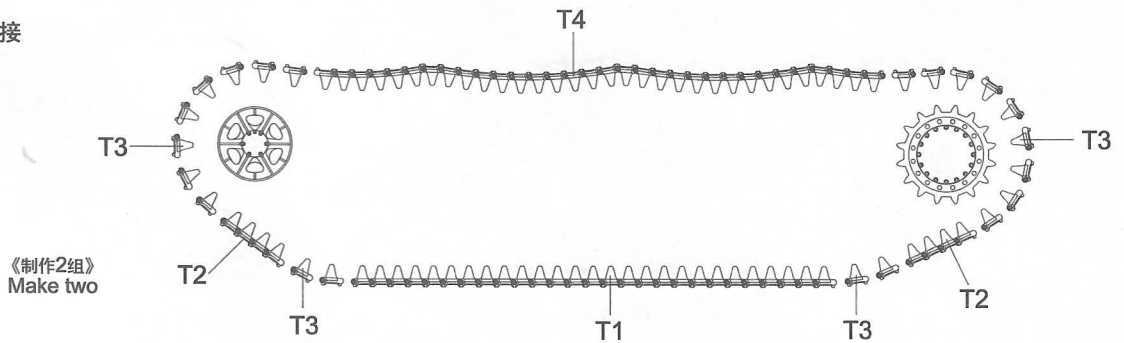
**4** 悬挂组装  
Suspension assembly



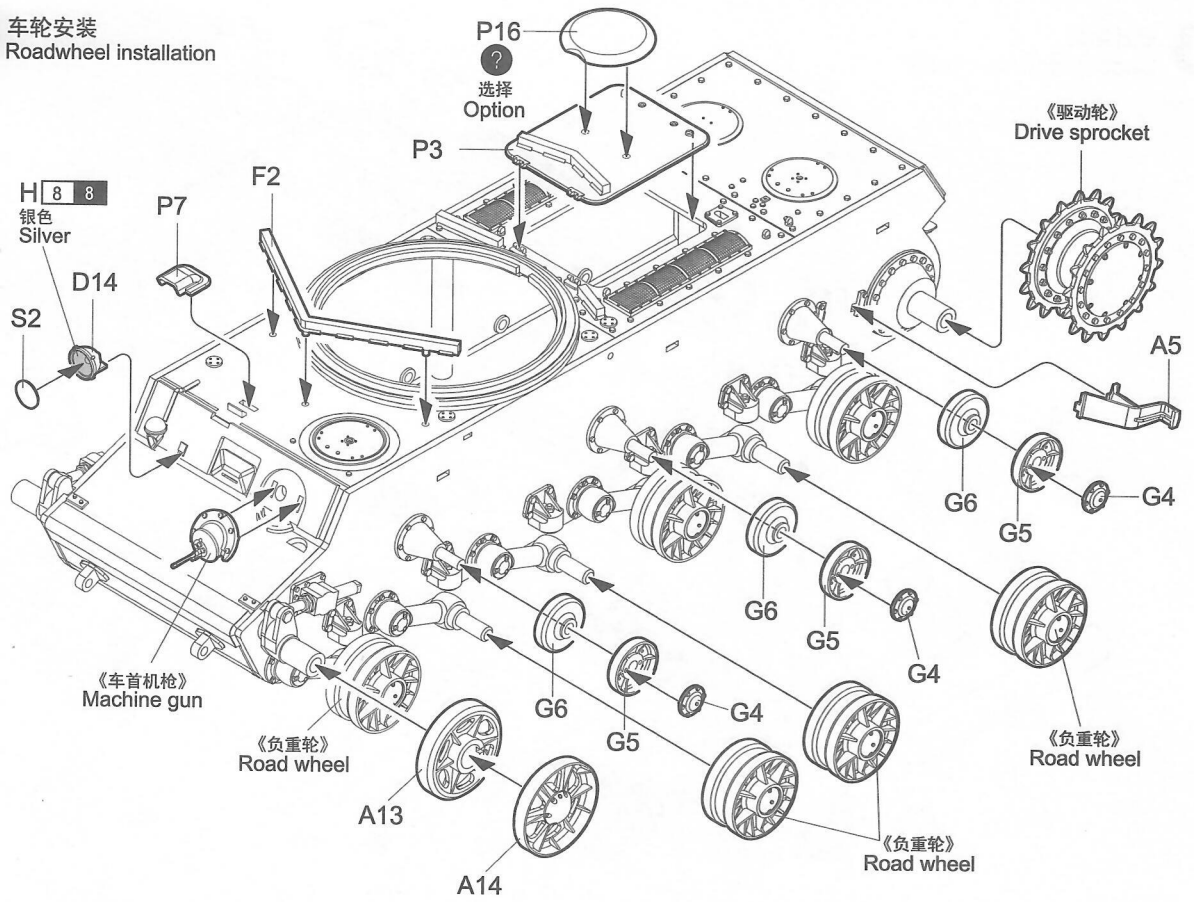
**5** 车轮组装  
Roadwheel assembly



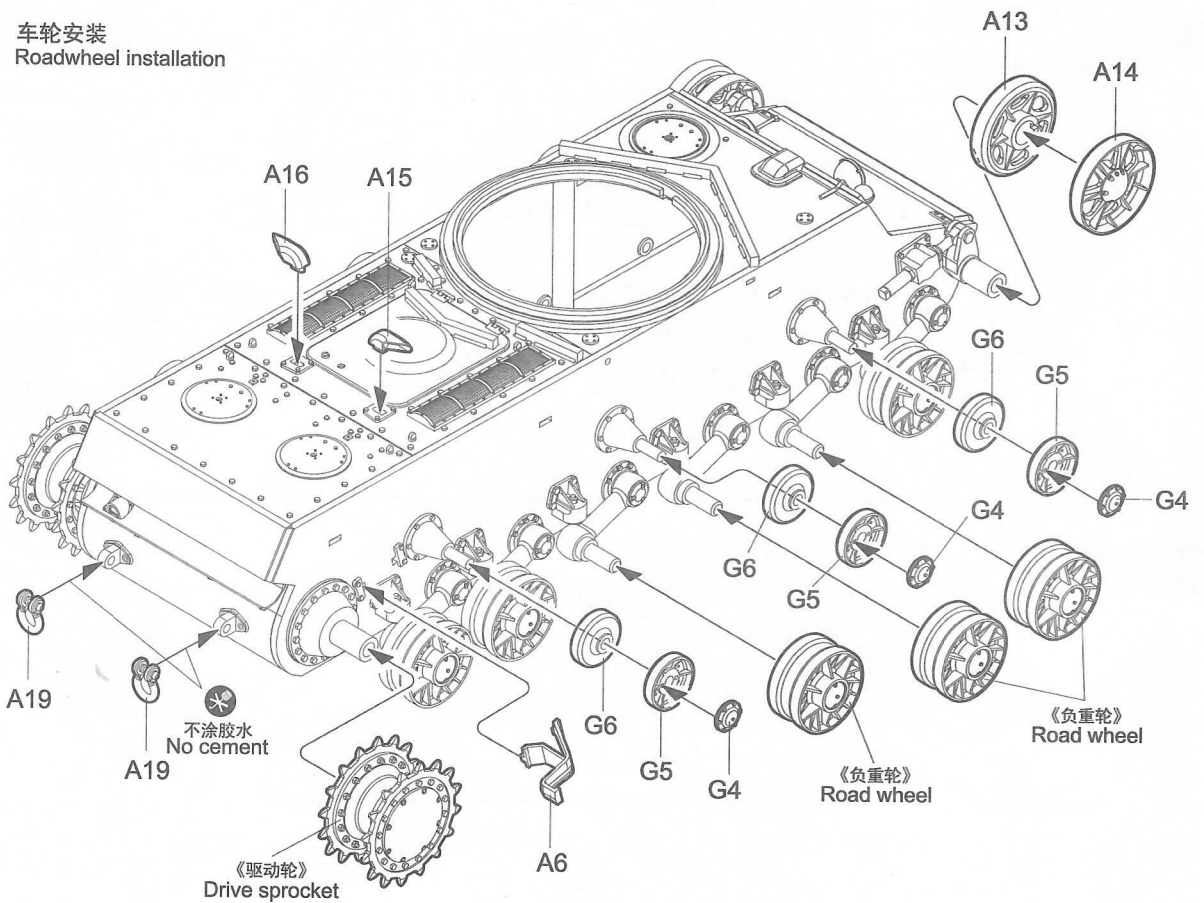
**6** 履带连接  
Track



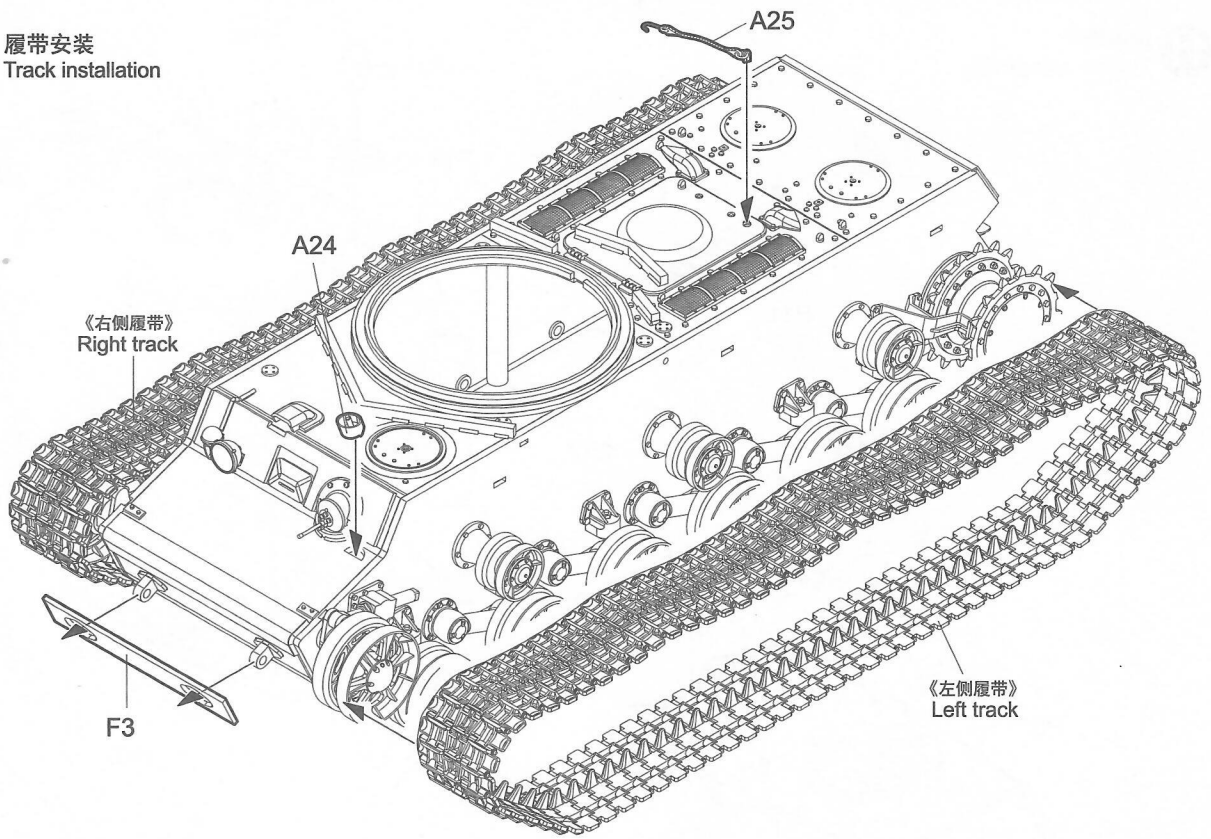
**7** 车轮安装  
Roadwheel installation



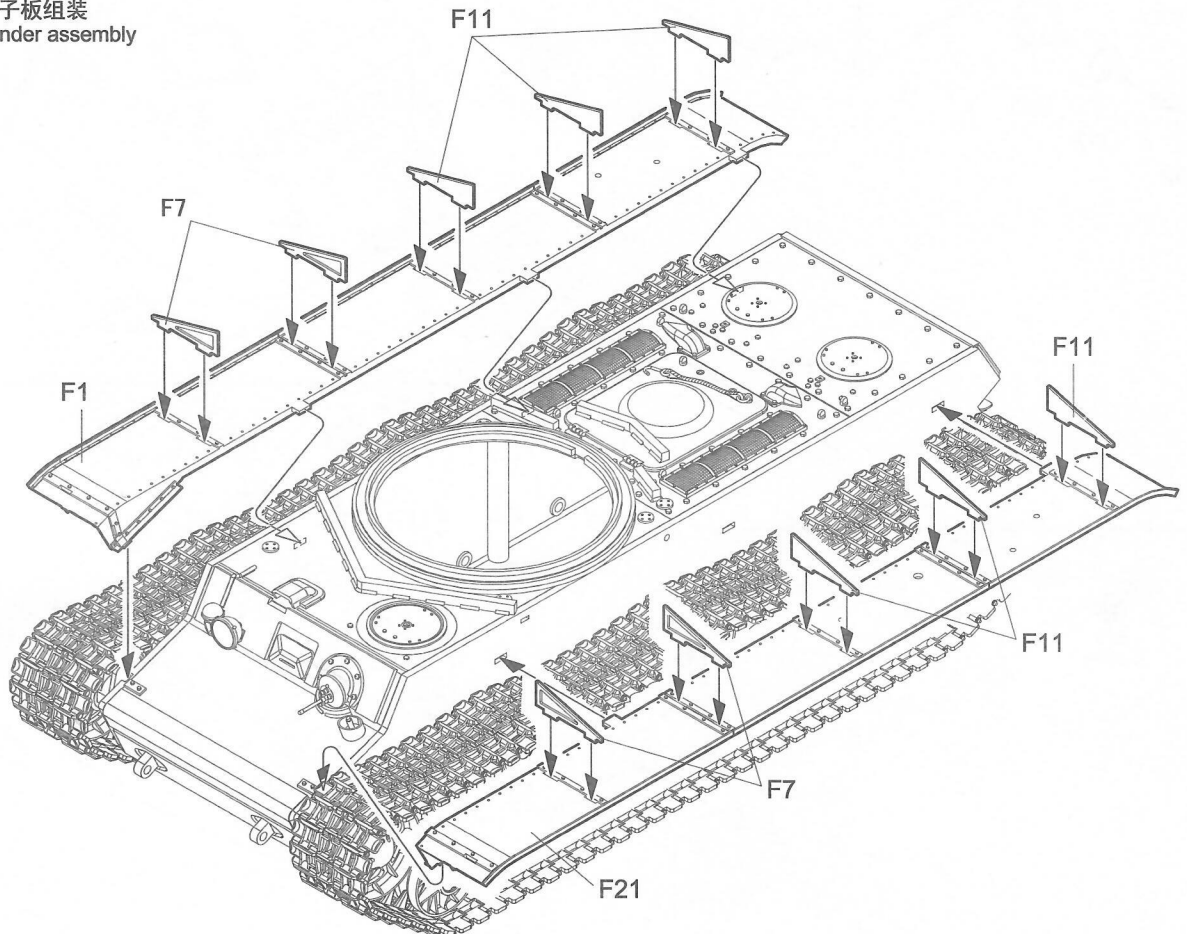
**8** 车轮安装  
Roadwheel installation



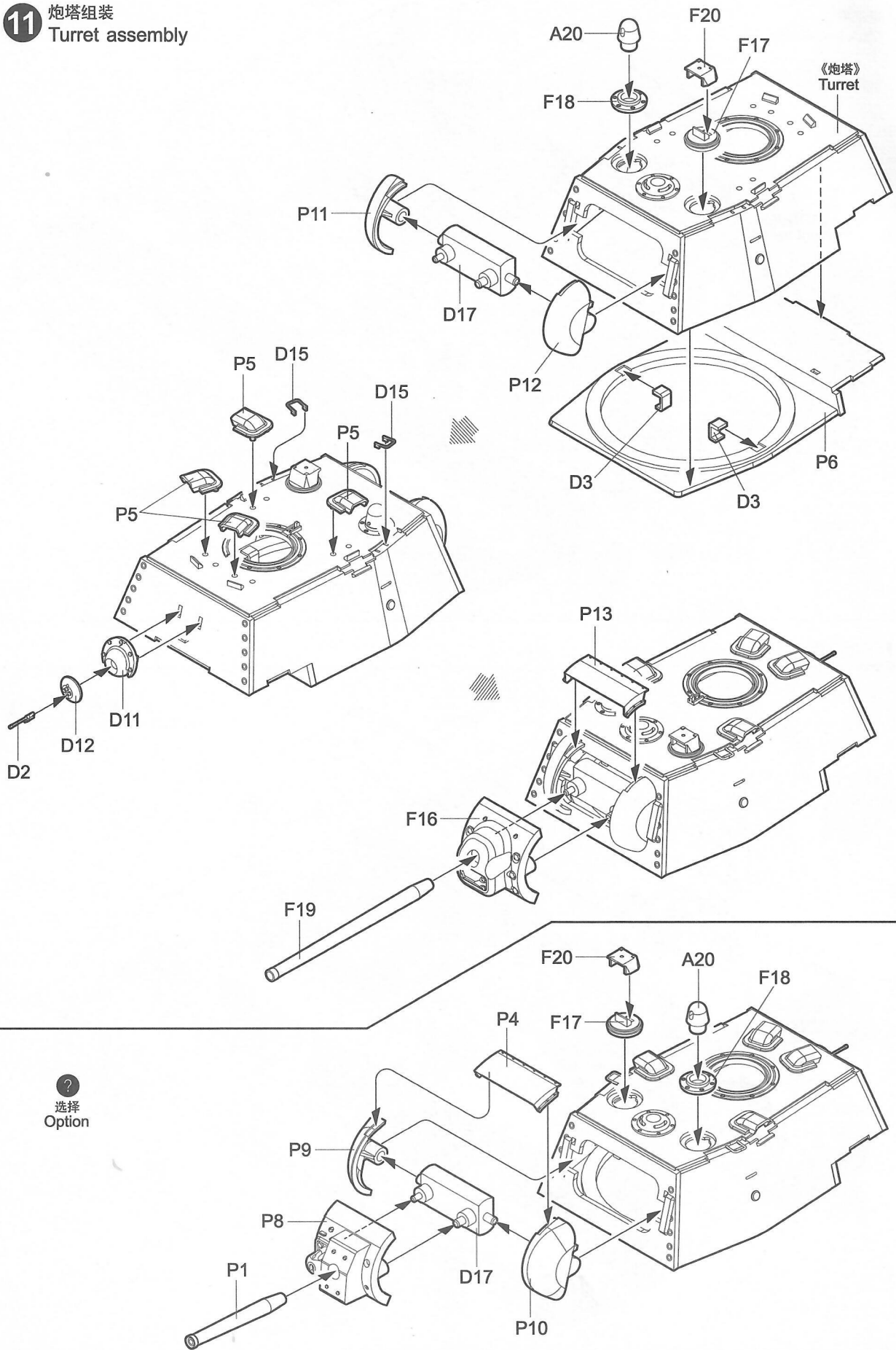
**9** 履带安装  
Track installation



**10** 翼子板组装  
Fender assembly



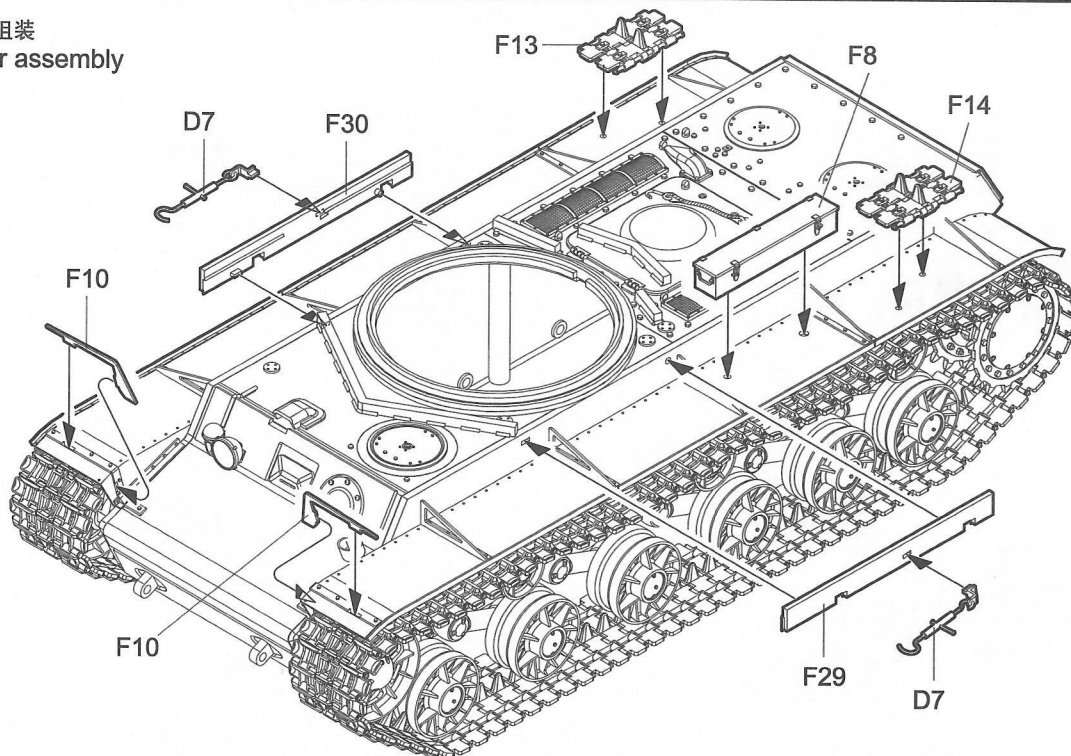
11 炮塔组装  
Turret assembly



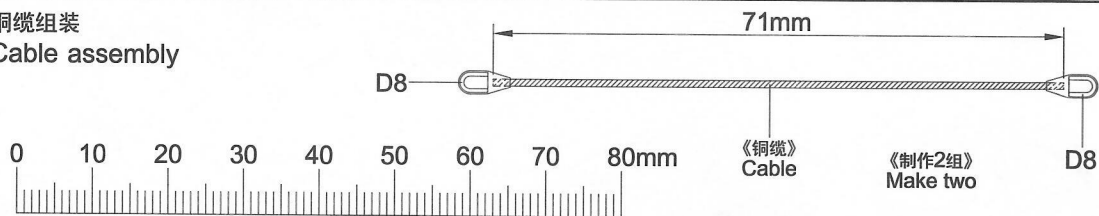
选择  
Option



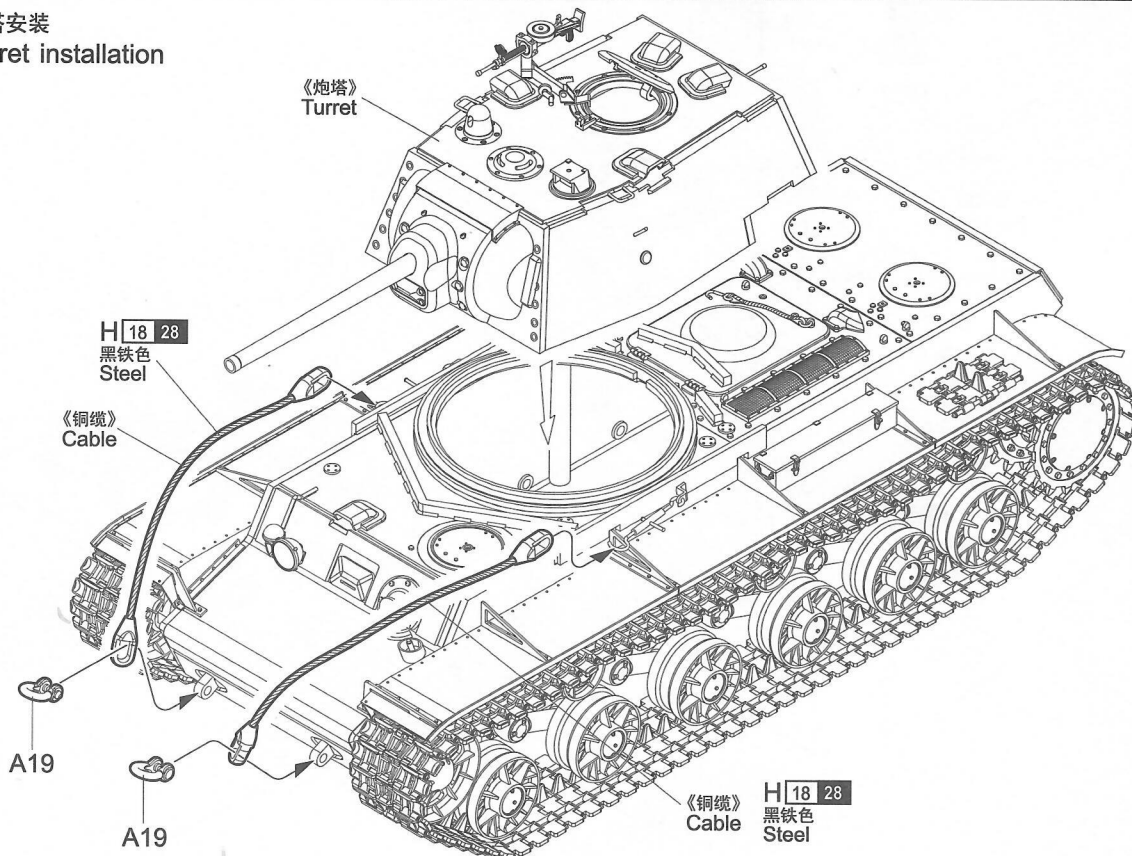
**13** 翼子板组装  
Fender assembly



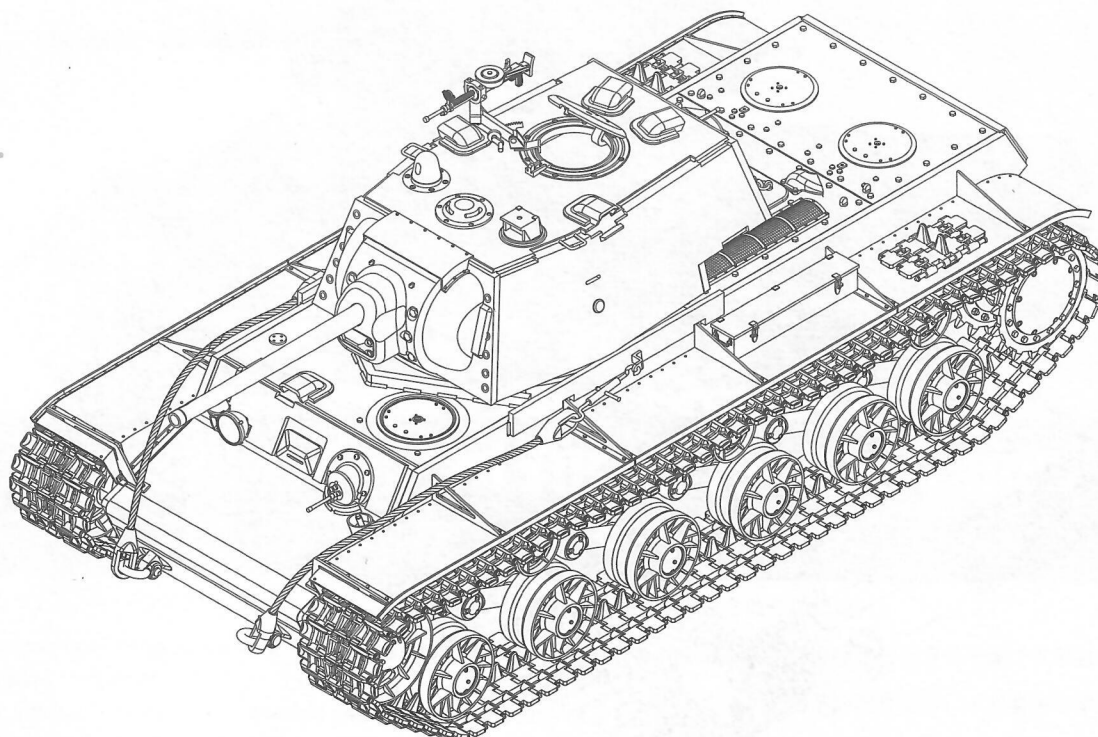
**14** 铜缆组装  
Cable assembly



**15** 炮塔安装  
Turret installation

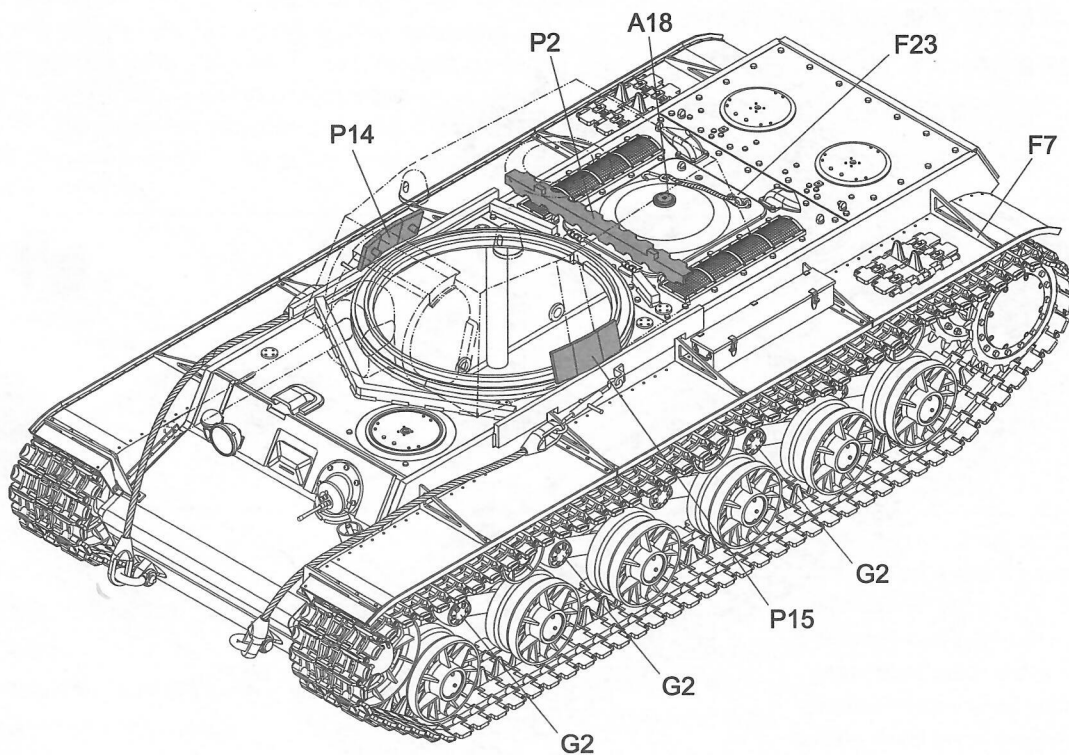


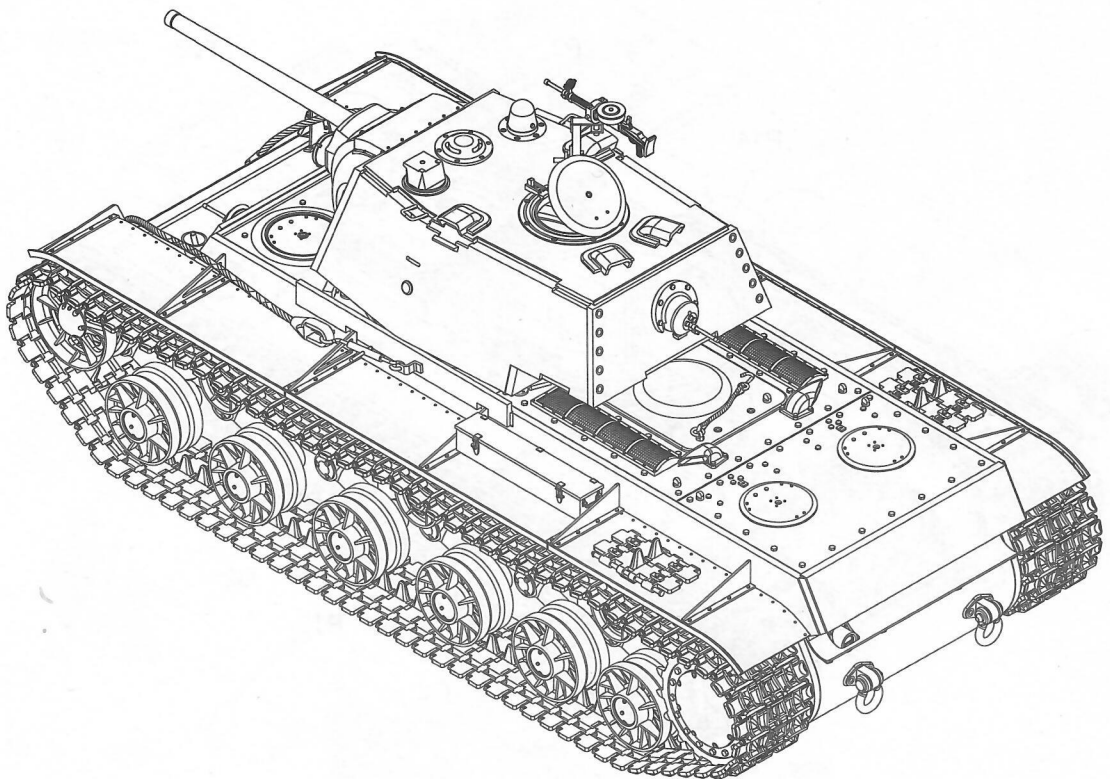
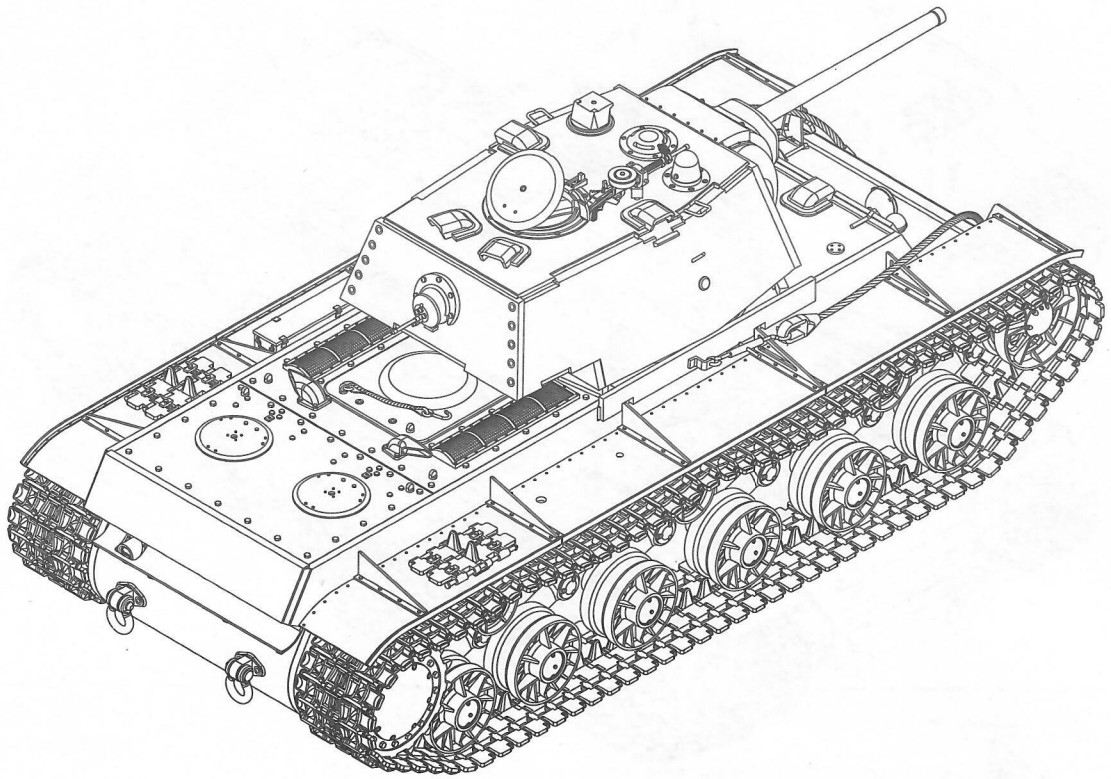
16



17 可选装零件示意图

We have supplied the optional parts for you to use of you so desire.





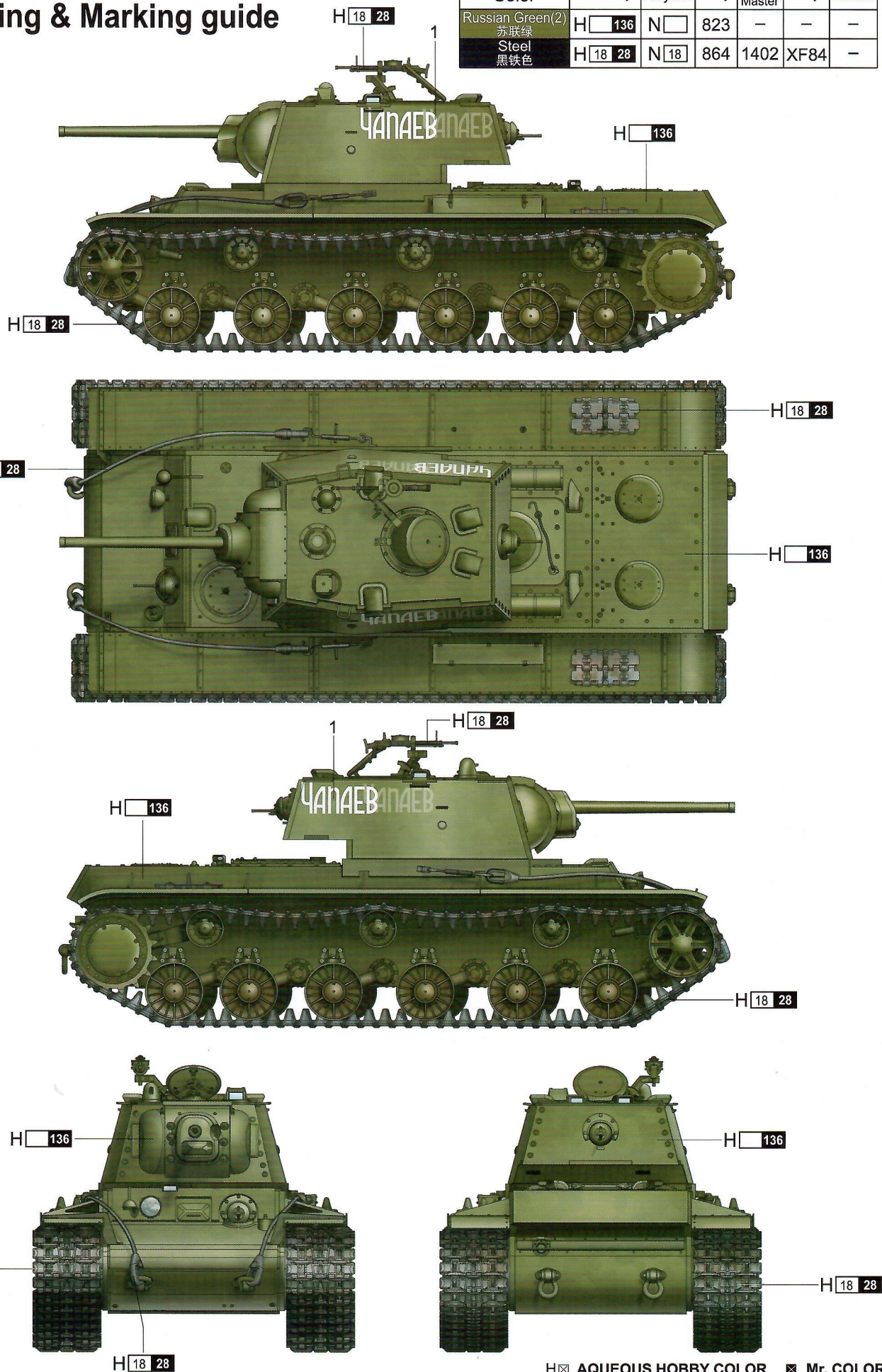
# 涂装同标贴指示

## Painting & Marking guide

### PAINT REFERENCE COLOR

Color	Mr.Hobby	Acrycion	Vallejo	Model Master	Tamiya	Humbrol
Russian Green(2) 苏联绿	H <input type="checkbox"/> 136	N <input type="checkbox"/>	823	—	—	—
Steel 黑铁色	H <input type="checkbox"/> 18 28	N <input type="checkbox"/> 18	864	1402	XF84	—

**A**



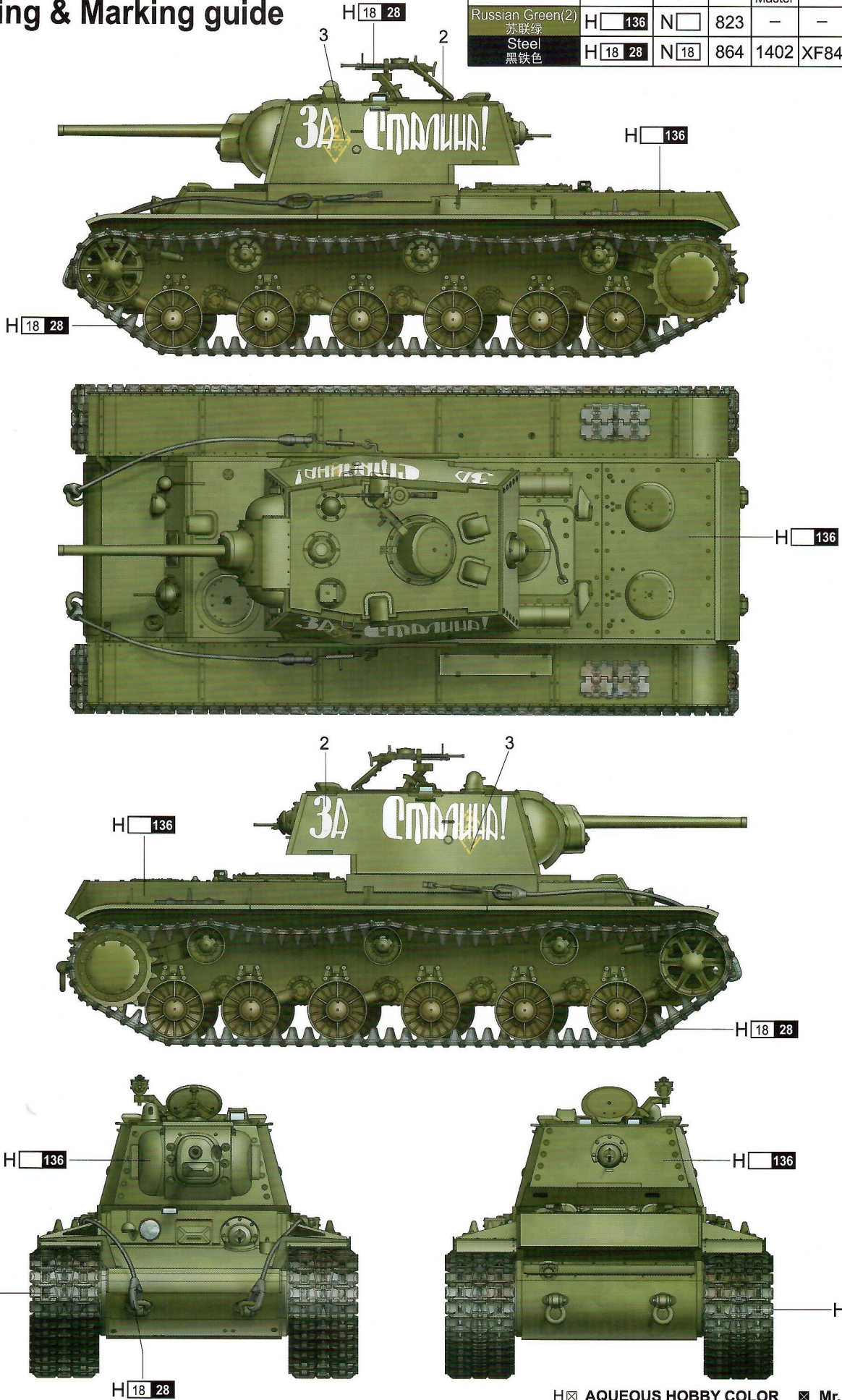
H  AQUEOUS HOBBY COLOR    N  Mr. COLOR  
N  ACRYSION COLOR

# 涂装同标贴指示 Painting & Marking guide

**B**

## PAINT REFERENCE COLOR

Color	Mr.Hobby	Acrycion	Vallejo	Model Master	Tamiya	Humbrol
Russian Green(2) 苏联绿	H 136	N	823	—	—	—
Steel 黑铁色	H 18 28	N 18	864	1402	XF84	—



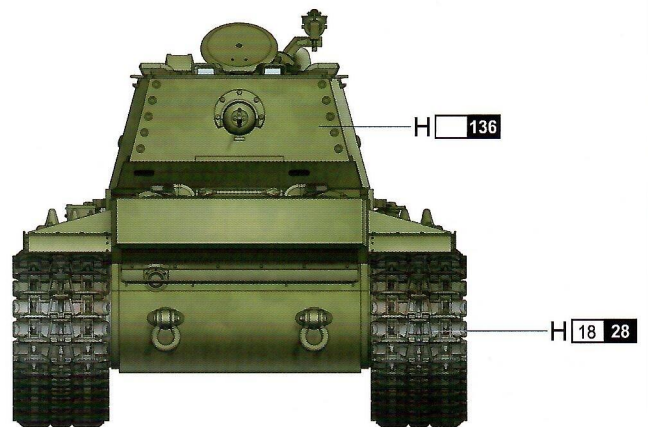
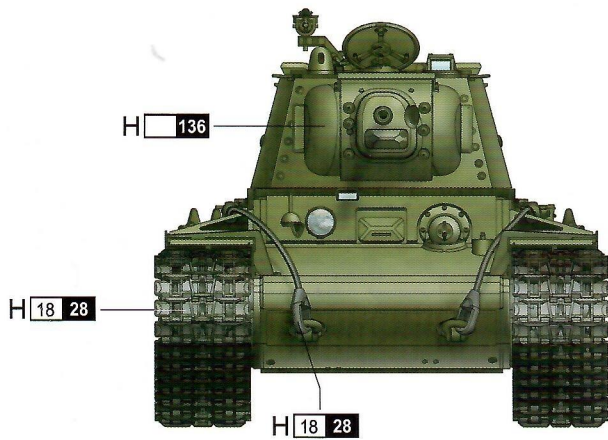
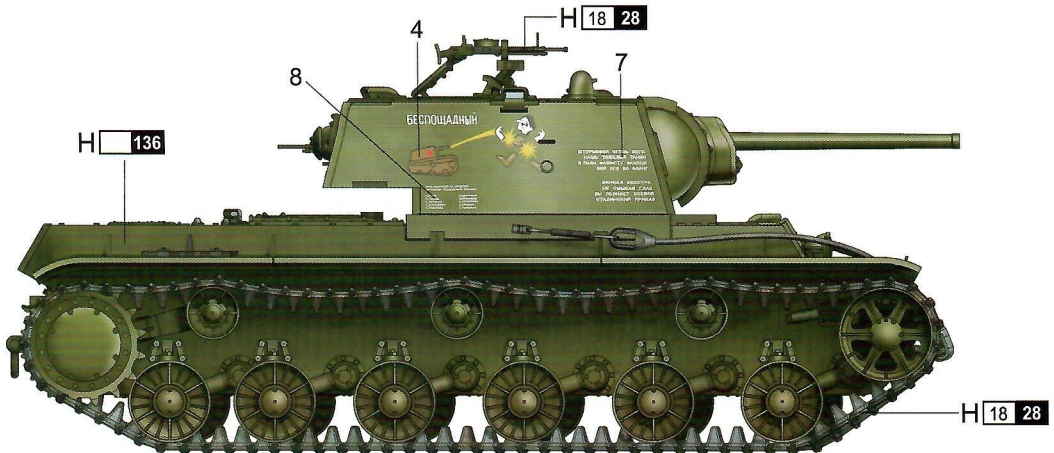
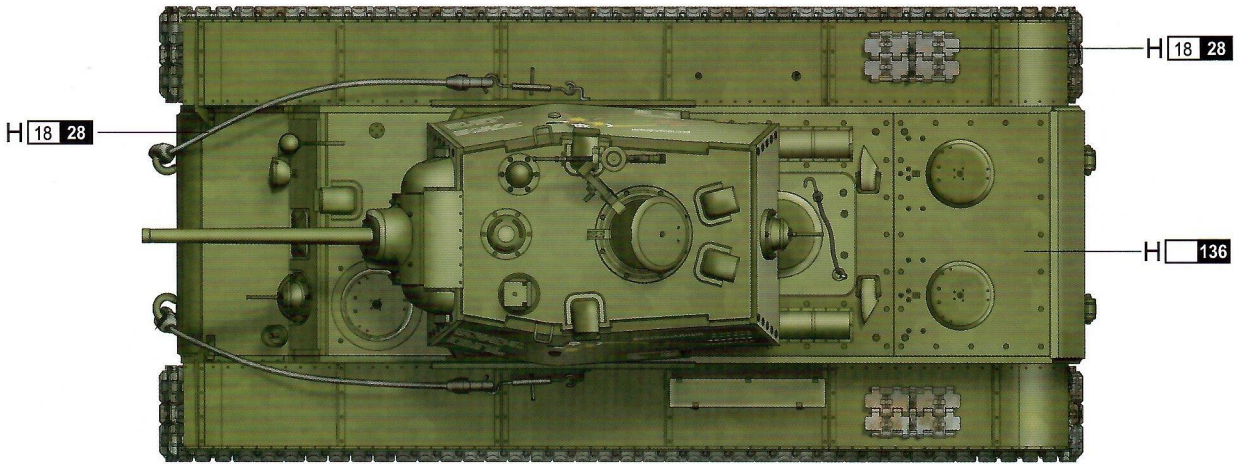
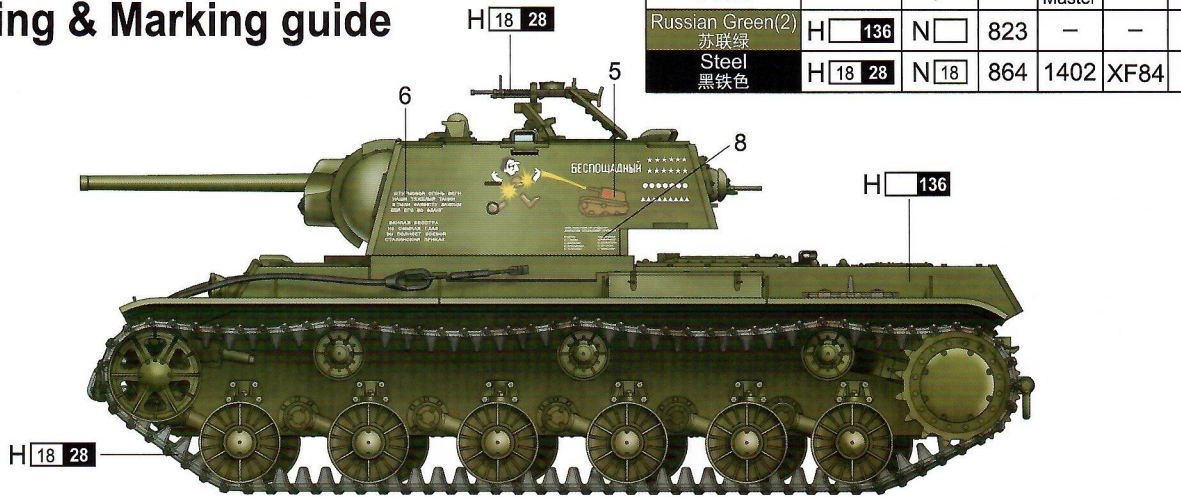
H  AQUEOUS HOBBY COLOR     Mr. COLOR  
N  ACRYSION COLOR

# 涂装同标贴指示 Painting & Marking guide

**C**

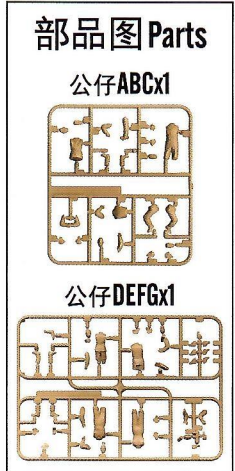
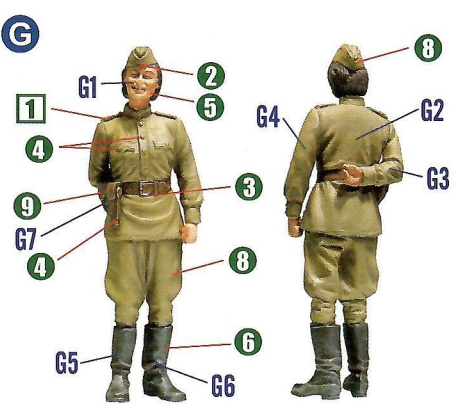
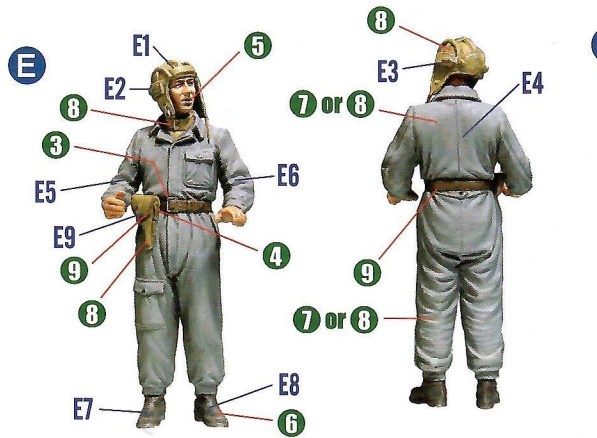
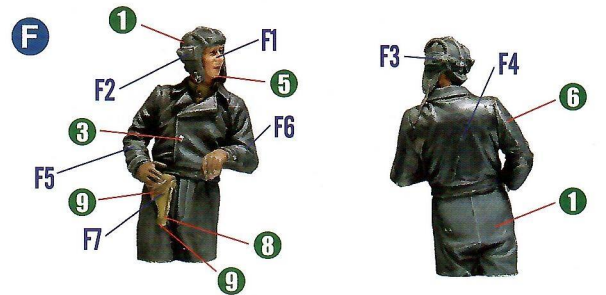
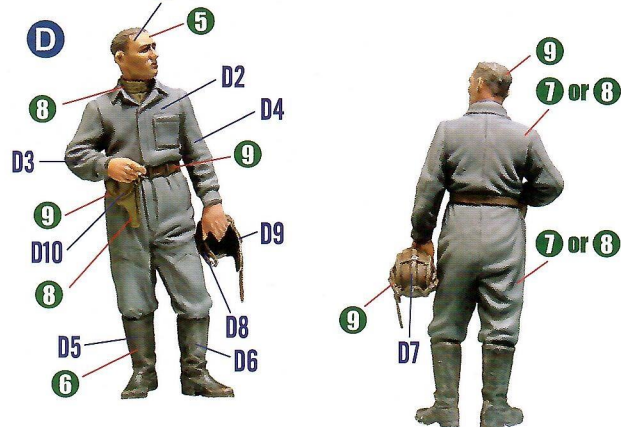
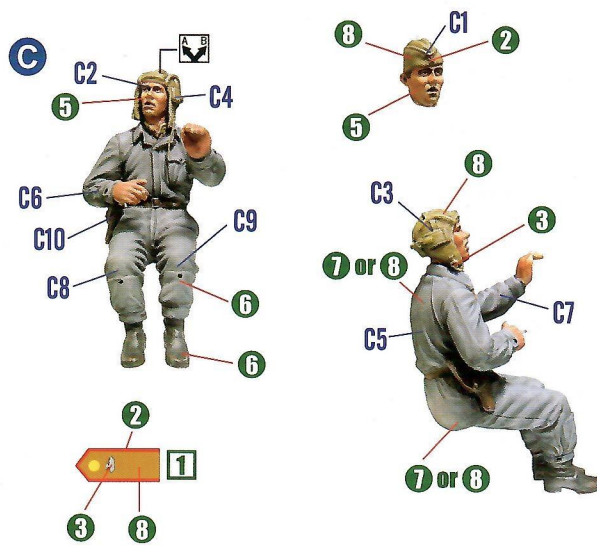
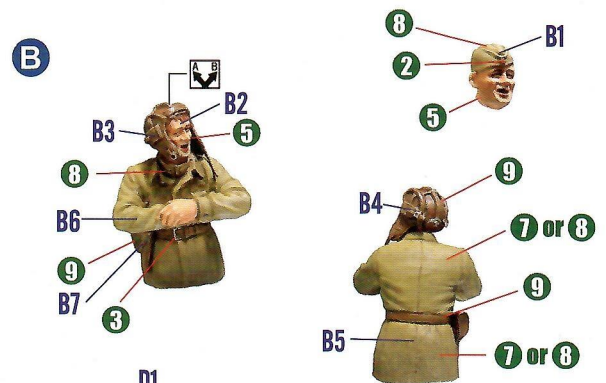
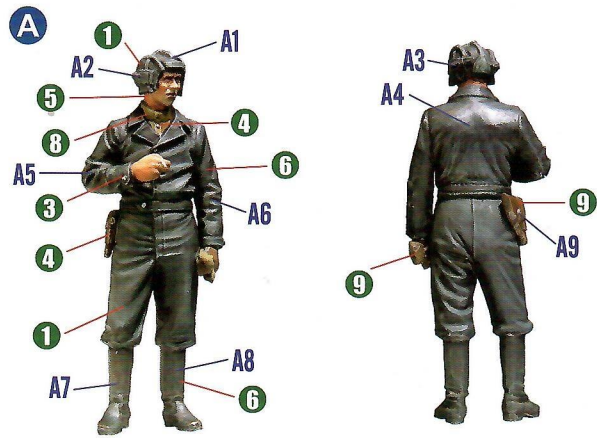
## PAINT REFERENCE COLOR

Color	Mr.Hobby	Acrycion	Vallejo	Model Master	Tamiya	Humbrol
Russian Green(2) 苏联绿	H <input type="checkbox"/> 136	N <input type="checkbox"/>	823	-	-	-
Steel 黑铁色	H <input type="checkbox"/> 18 28	N <input type="checkbox"/> 18	864	1402	XF84	-



H  AQUEOUS HOBBY COLOR     Mr. COLOR  
N  ACRYSION COLOR

# 涂装同标贴指示 Painting & Marking guide



OPTIONAL(SpareHead) 可选 (业余爱好者)

## PAINT REFERENCE COLOR

Color	Mr.Hobby	Acrycion	Vallejo	Model Master	Tamiya	Humbrol	Color	Mr.Hobby	Acrycion	Vallejo	Model Master	Tamiya	Humbrol
1 Flat Black 消光黑	H 12 33	N 12	950	1749	XF1	33	6 Semi Gloss Black 透明黑	H 92	N	950	-	X18	-
2 Red 红色	H 3 3	N 3	908	1503	X7	19	7 RLM74 Gray 深灰74	H 68 36	N 68	868	-	XF54	27
3 Silver 银色	H 8 8	N 8	997	1546	X11	11	8 Khaki 卡其色	H 81 55	N 81	988	-	XF49	26
4 Gold 金色	H 9 9	N 9	878	1744	X12	16	9 Red Brown 红棕色	H 47 41	N 47	984	-	XF64	160
5 Flesh 肤色色	H 44 51	N 44	955	1516	XF15	61							

H  AQUEOUS HOBBY COLOR     Mr. COLOR  
N  ACRYCION COLOR