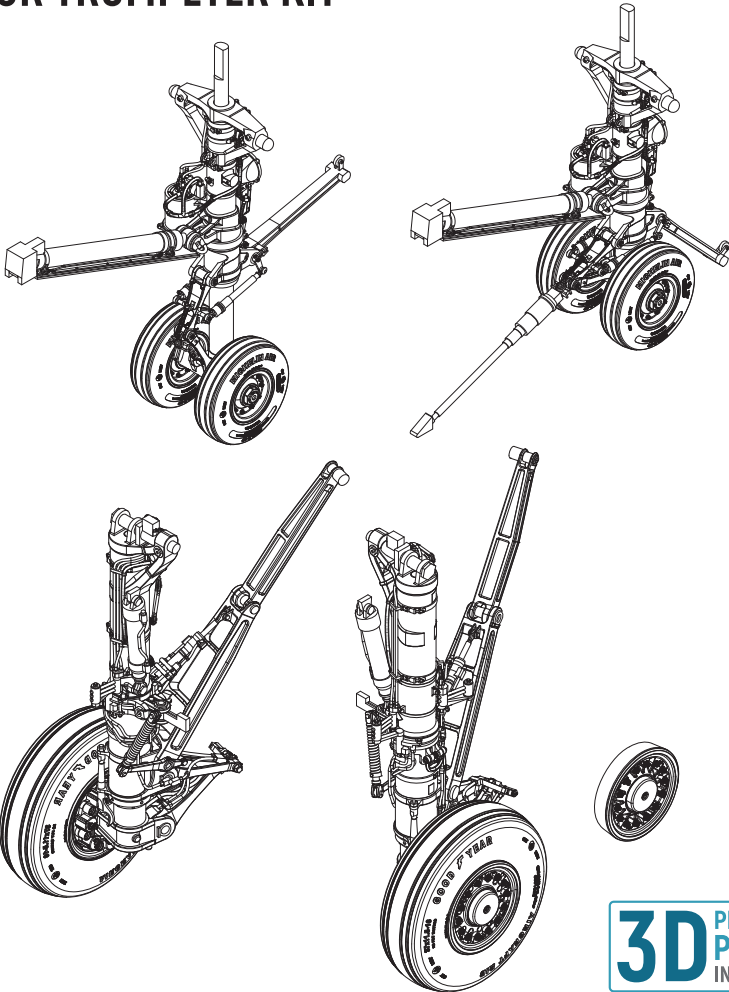


## F-14 (A, B, D) "TOMCAT" LANDING GEARS FOR TRUMPETER KIT

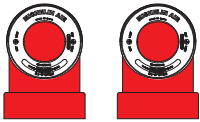


**3D** PRINTED  
PARTS  
INCLUDED

CUT



F1



R1

R2



R3



R4



R5

R5

R6

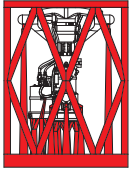
R6



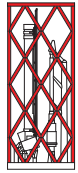
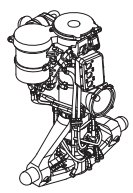
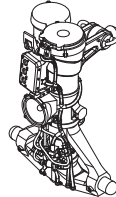
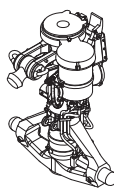
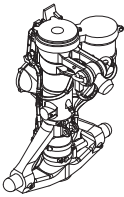
R7

R17

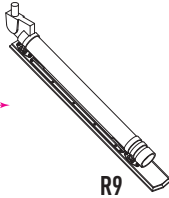
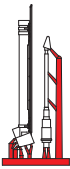
R18



R8



R9 R16



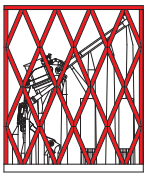
R9



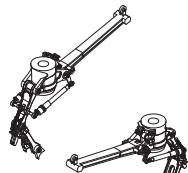
R16

USE A SAW TO REMOVE SUPPORTS FROM 3D PRINTED PARTS

REMOVE PROTECTIVE COVER

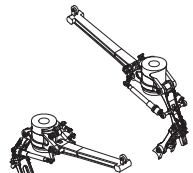


R10 R12

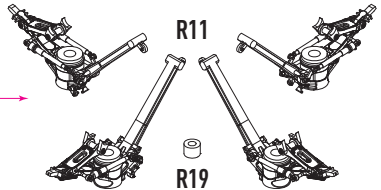


R12

R10



R11 R19



R11

R19

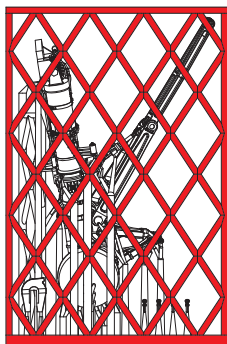
DETAILS AFTER REMOVAL  
FROM SPRUES



R15



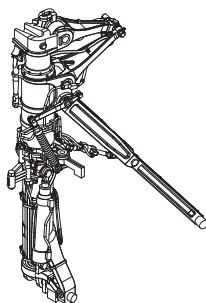
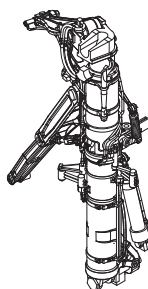
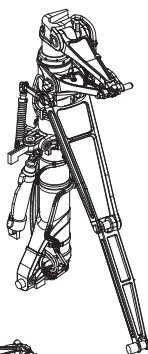
R20



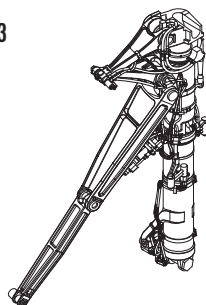
R20

R13

R15



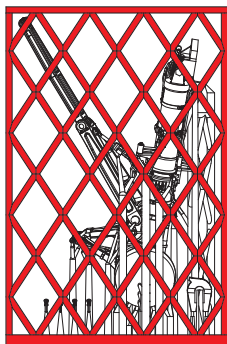
R13



R15



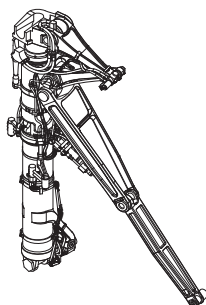
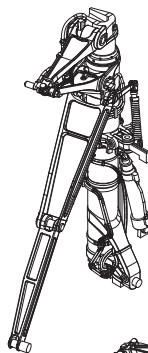
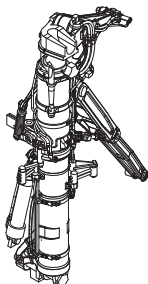
R21



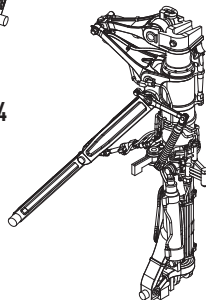
R15

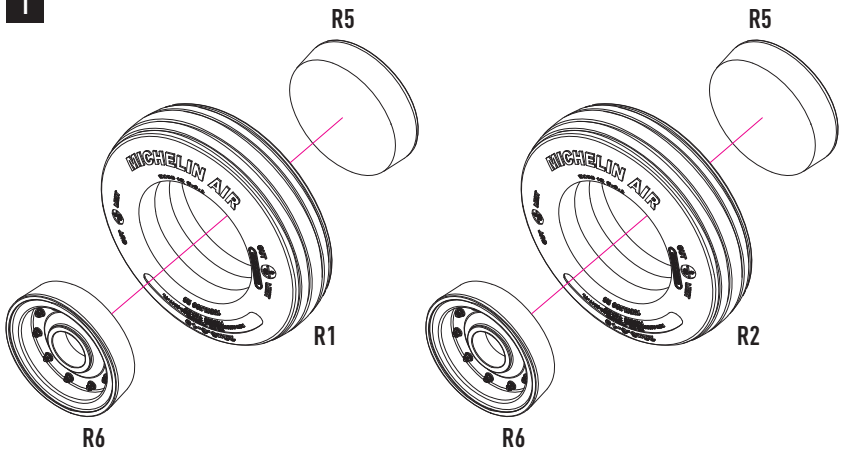
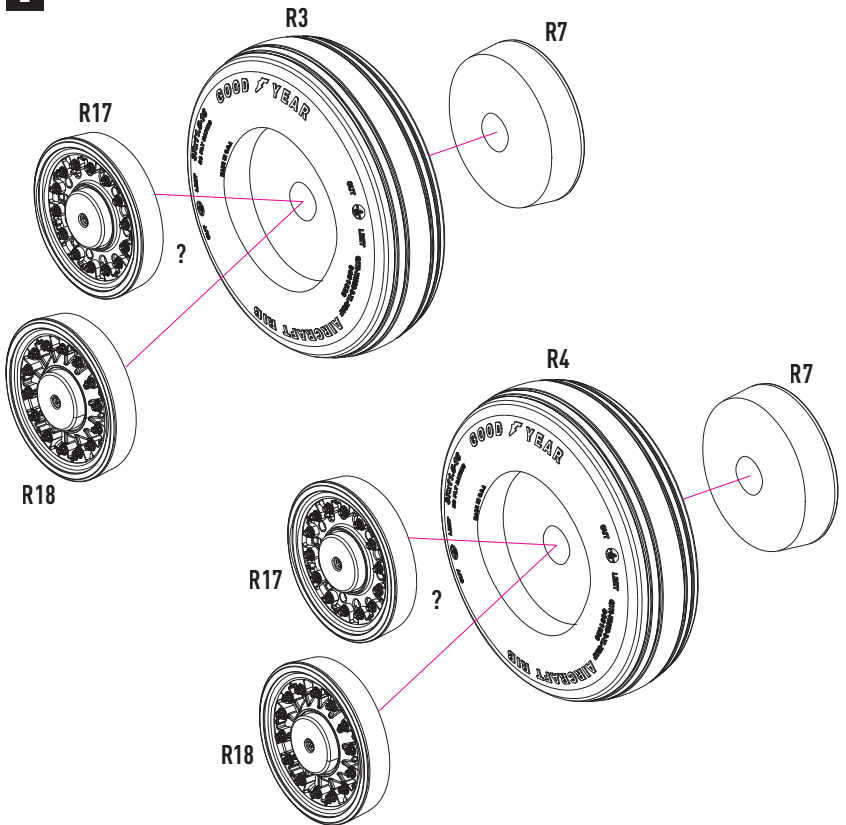
R14

R21



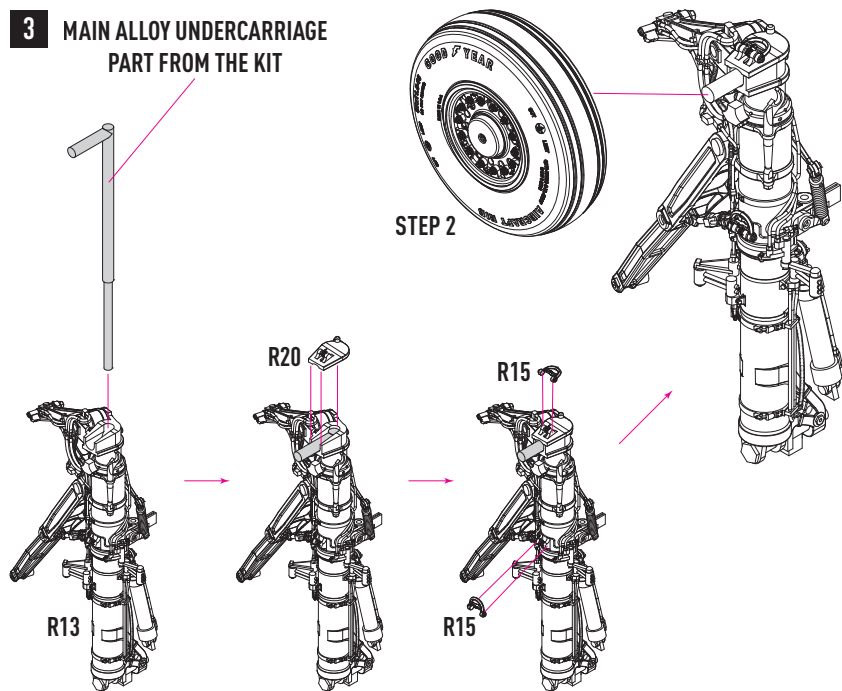
R14



**1****2**

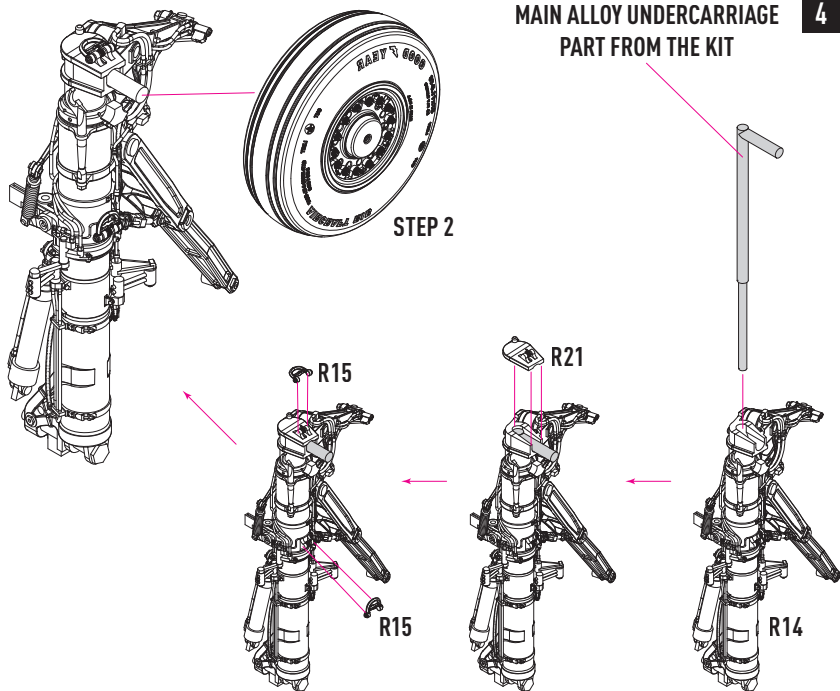
**USE R17 FOR F-14D MODIFICATION / USE R18 FOR F-14 (A, B) MODIFICATION**

**3** MAIN ALLOY UNDERCARRIAGE  
PART FROM THE KIT

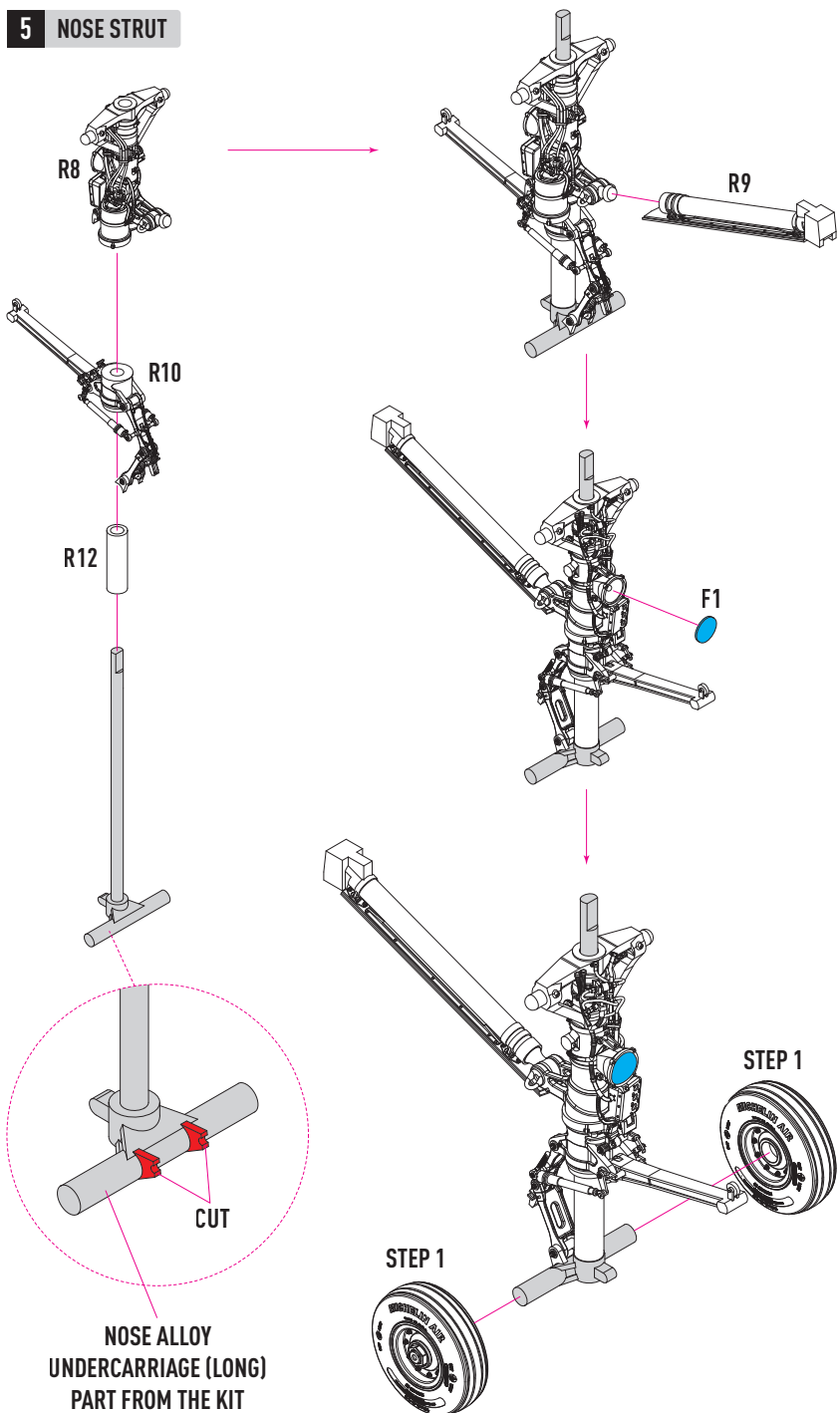


MAIN ALLOY UNDERCARRIAGE  
PART FROM THE KIT

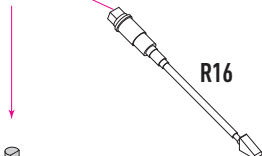
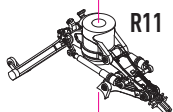
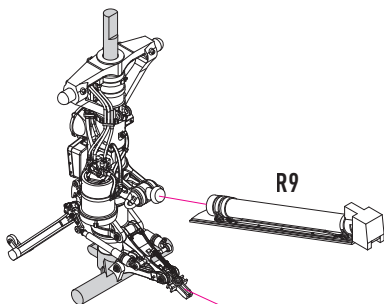
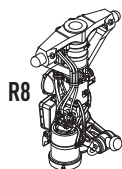
**4**



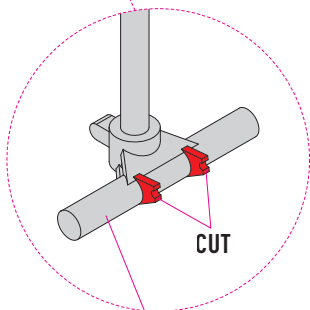
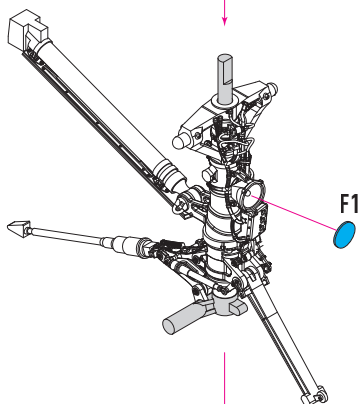
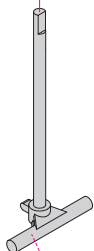
**5 NOSE STRUT**



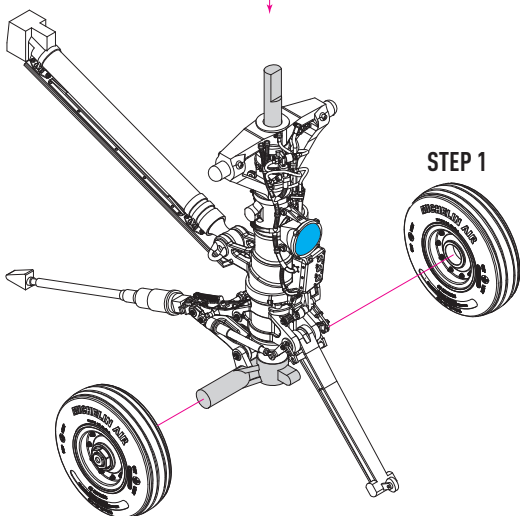
**6 NOSE STRUT POSITION ON THE CATAPULT**



R19

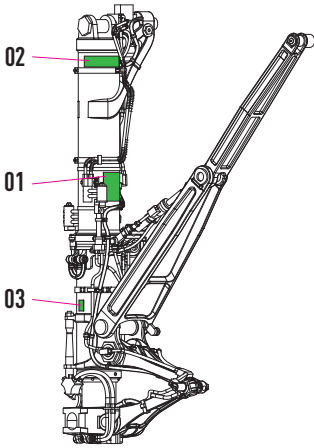


**NOSE ALLOY  
UNDERCARRIAGE (SHORT)  
PART FROM THE KIT**

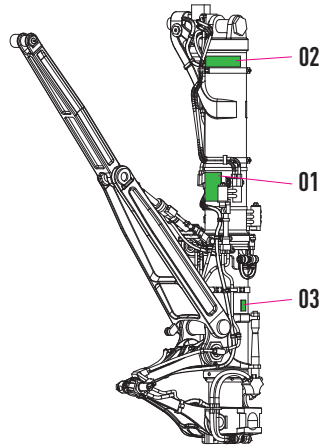


**STEP 1**

# DECAL INSTRUCTION



R13



R14

