

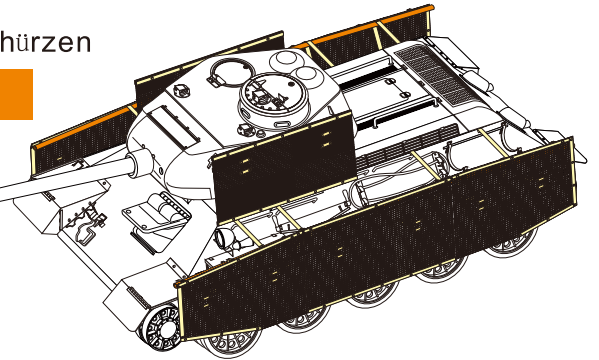
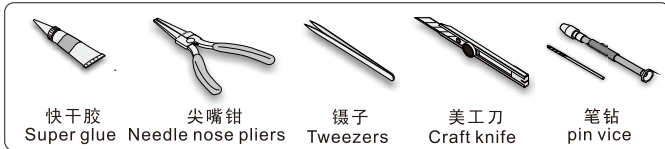
1/35 MILITARY MINIATURE VEHICLE UPGRADE SERIES PEA451

WWII Russian T-34/85 "Thoma shields" wire mesh schürzen

二战苏联T-34/85坦克柏林战役钢网侧裙改造件

[For GP]

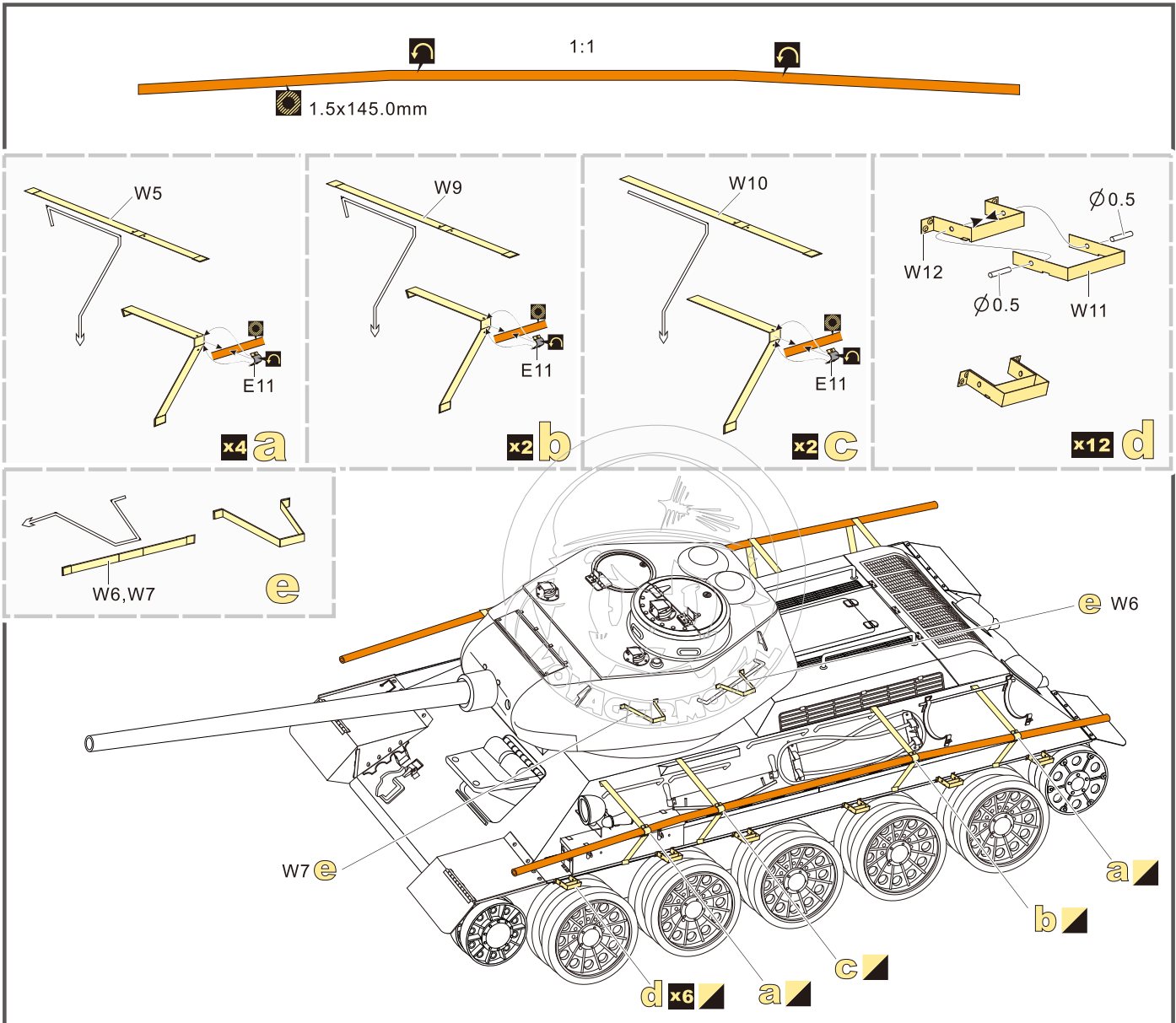
推荐使用工具 RECOMMENDED TOOLS



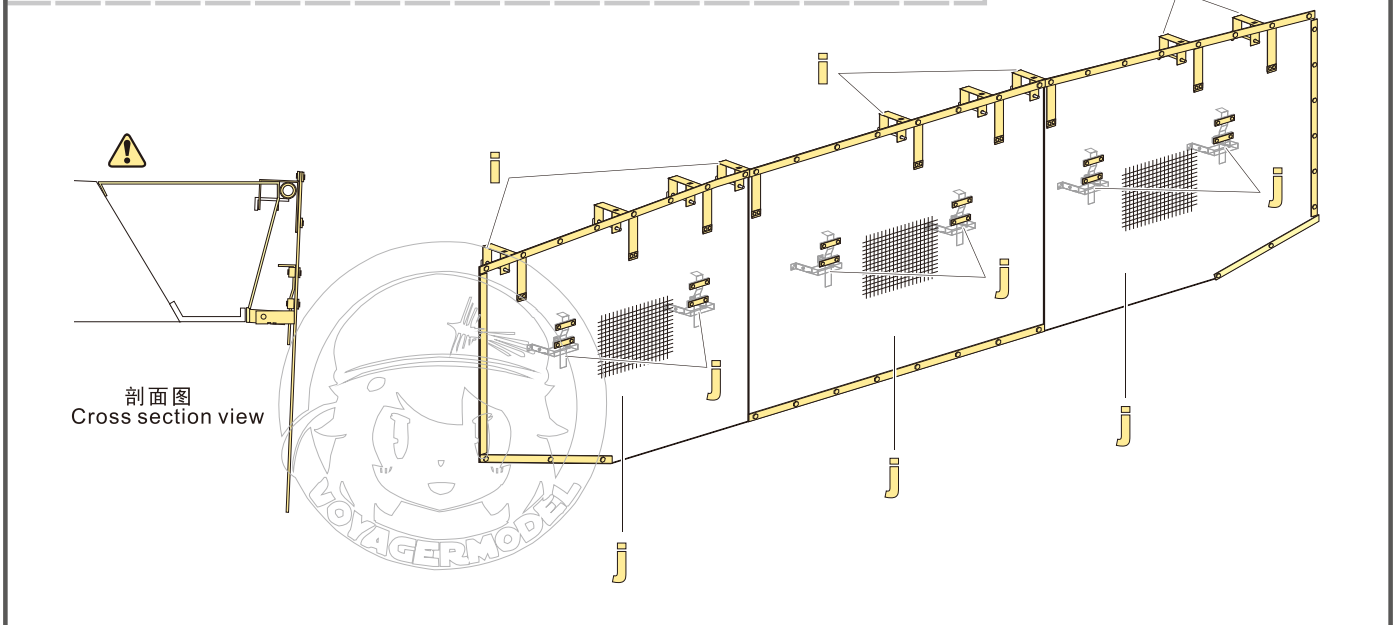
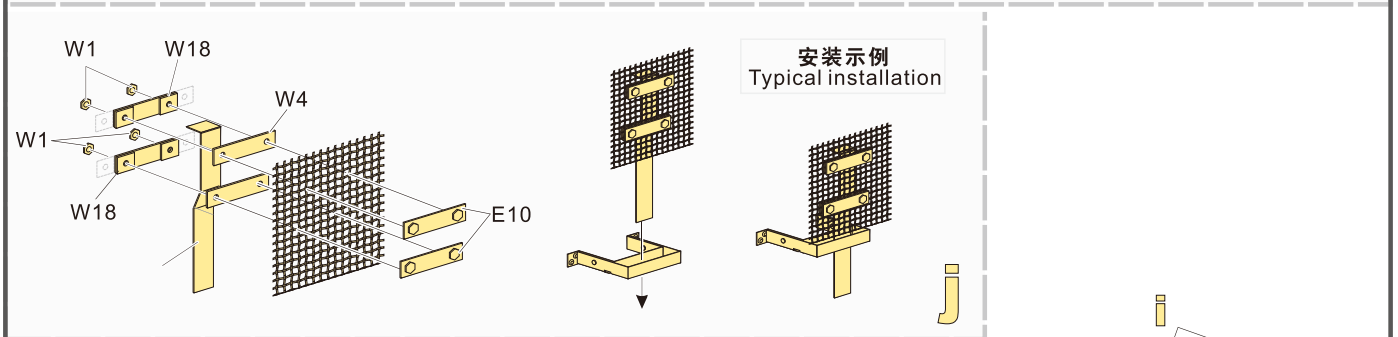
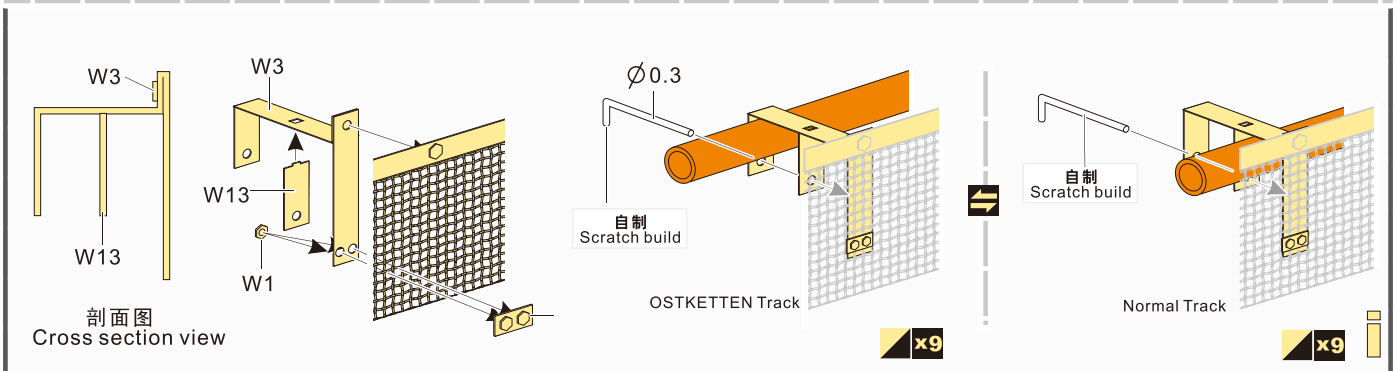
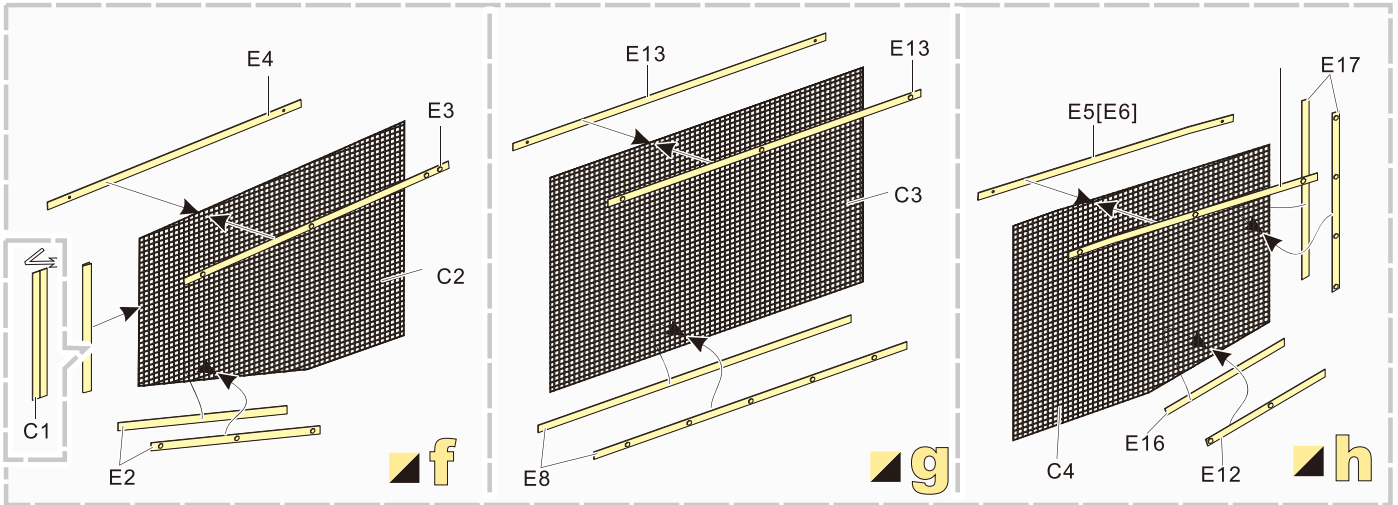
- 安装  
install
- 折叠  
bend
- A1**  
改造件零件编号  
PE/resin part number
- B12**  
原零件编号  
kit part number
- C22**  
被替换的原零件编号  
replaced kit part number
- 另一侧相同制作  
repeat on opposite side
- 切除  
remove
- 打磨  
grind off
- 弧度卷曲  
radial bending
- 制作若干组  
multiple assembly
- 选择安装  
alternative
- 钻孔  
drill
- 用胶棒制作  
make from plastic rod

用尖端在凹槽处冲压  
use penpoint to press on the dent

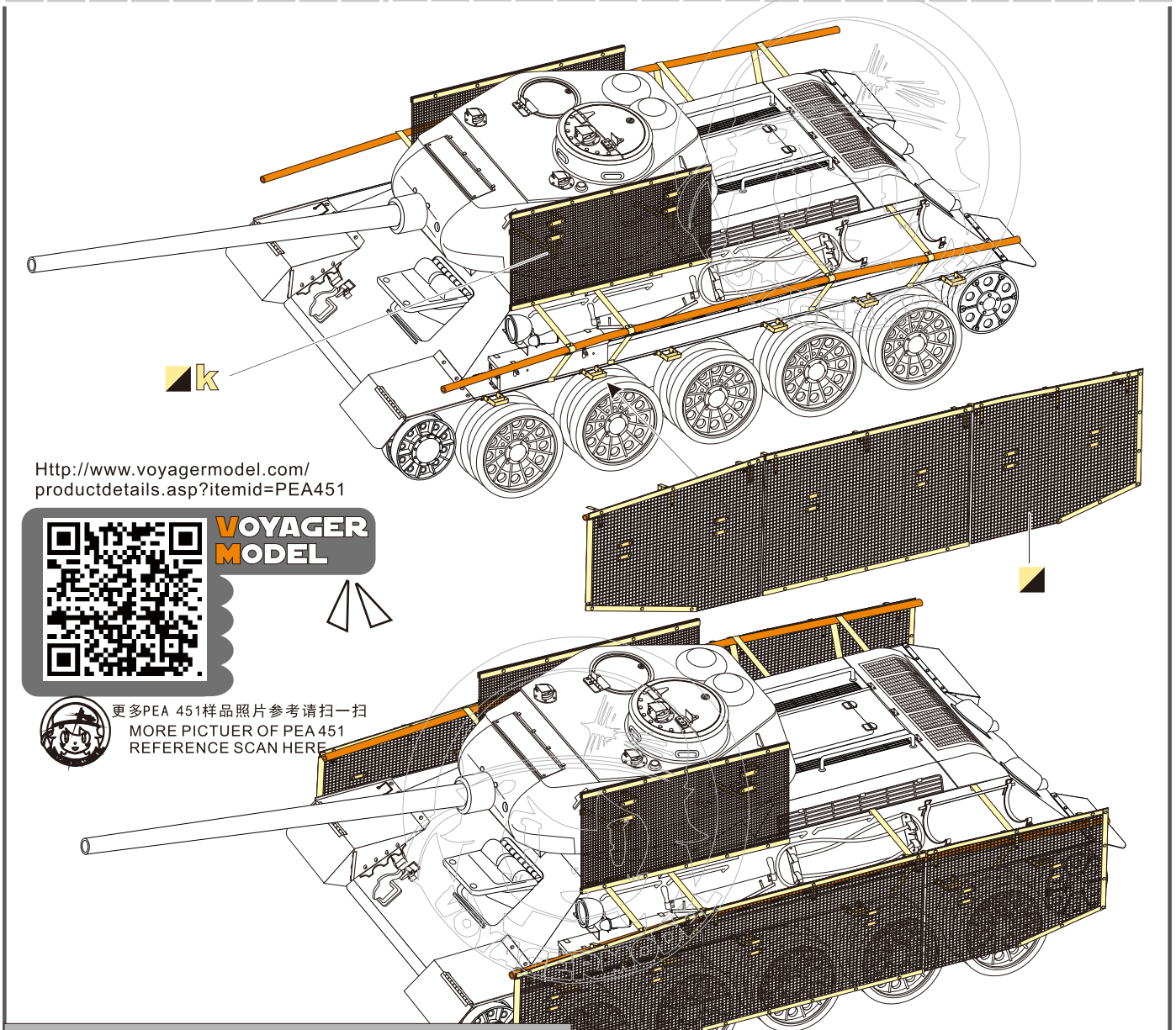
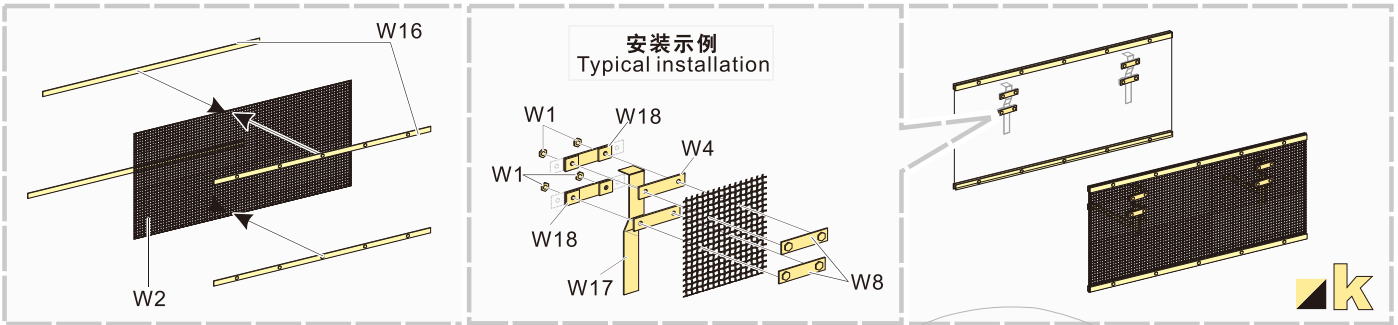
蚀刻片零件内侧面向上  
Put the part upside down  
用笔尖在凹槽处刺  
Use penpoint to press on the dent



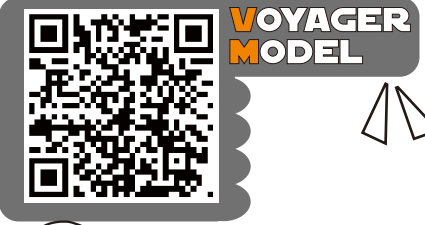
1/35 MILITARY MINIATURE VEHICLE UPGRADE SERIES PEA451



1/35 MILITARY MINIATURE VEHICLE UPGRADE SERIES PEA451



<http://www.voyagermodel.com/productdetails.asp?itemid=PEA451>



**VOYAGER  
MODEL**



更多PEA 451样品照片参考请扫一扫  
MORE PICTUER OF PEA 451  
REFERENCE SCAN HERE

**VOYAGERMODEL**<sup>®</sup> 无限不至 极致享受  
The Best Upgrade Solution

Recommended item

PE 35124	WWII Russian T-34/85 Mod.1944 [For 6066/6203/6319/3318]
PE 35769	WWII Russian T-34/85 No.112 Factory Production Basic [For ACADMY 13290]
PE 351034	WWII Russian T-34/85 No.174 Factory Production Basic [For RMF 5059 5040]
PE 35974	T-34/85 & T-34/122 Fenders [For RFM 5013]
PE 35125	WWII Russian T-34 mod.42-44 fenders [For GP]
PE 35360	WWII Russian T-34/85 [For AFV CLUB 35145]
PE 35770	WWII Russian T-34/85 Fenders [For ACADMY 13290]
PEA 084	WWII USSR T-34/85 or JS-2 Bedspring Armor (Berlin offensive) version 1
PEA 085	WWII USSR T-34/85 Bedspring Armor (Berlin offensive) version 2
PEA 454	WWII Soviet tank exterior tanks and smoke gernerators
VBS0501	Russian T-34/85 Mid Tank Gun Barrel



微博公众号  
Weibo official or code



官方淘宝  
The official taobao



微信公众号  
Wechat official or code