

MARKINGS AND PAINTING

Markierungen und Bemalung

Decoration et Peinture

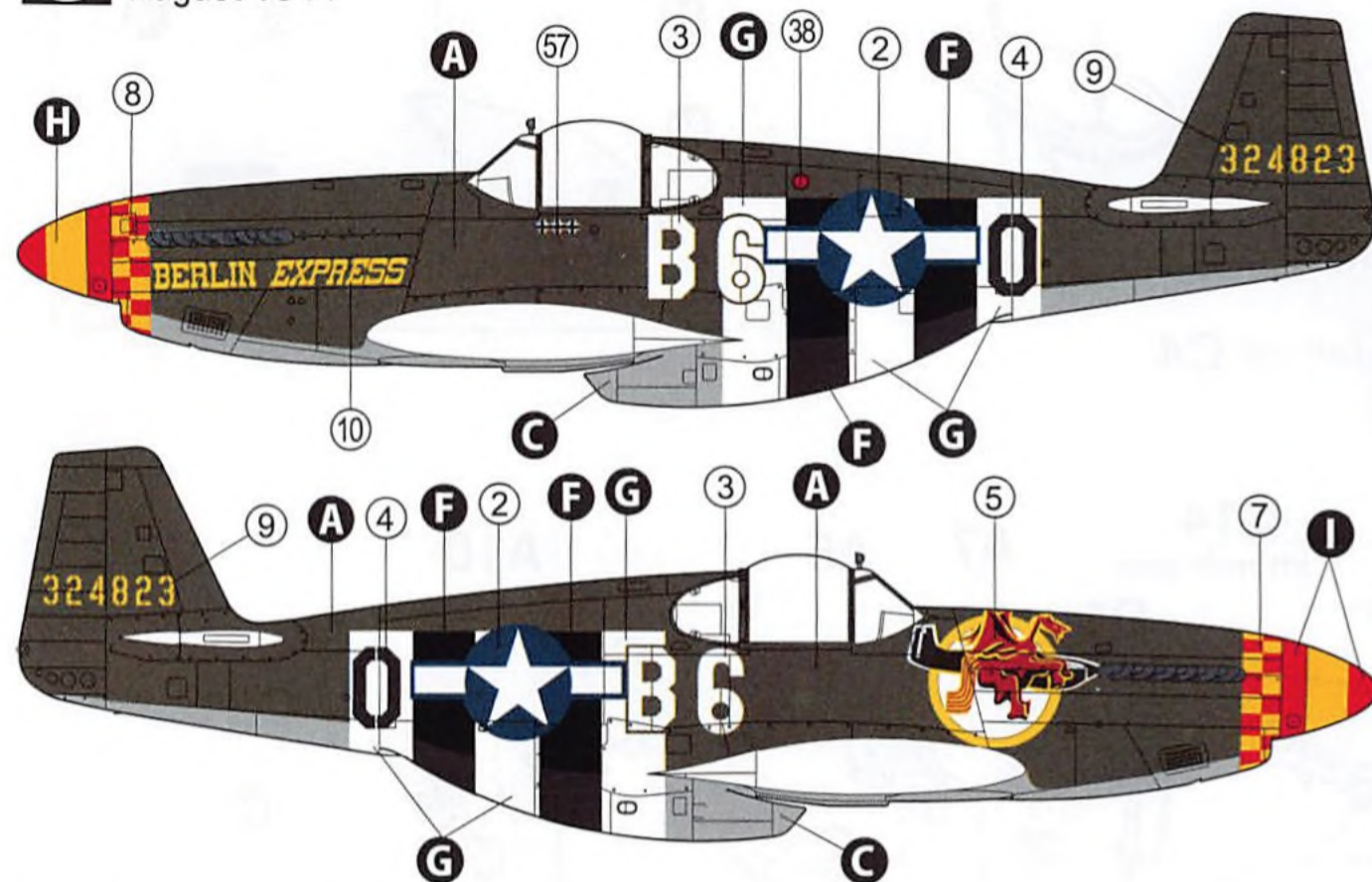
Decoracion y Pintura

Marcio & Pittura

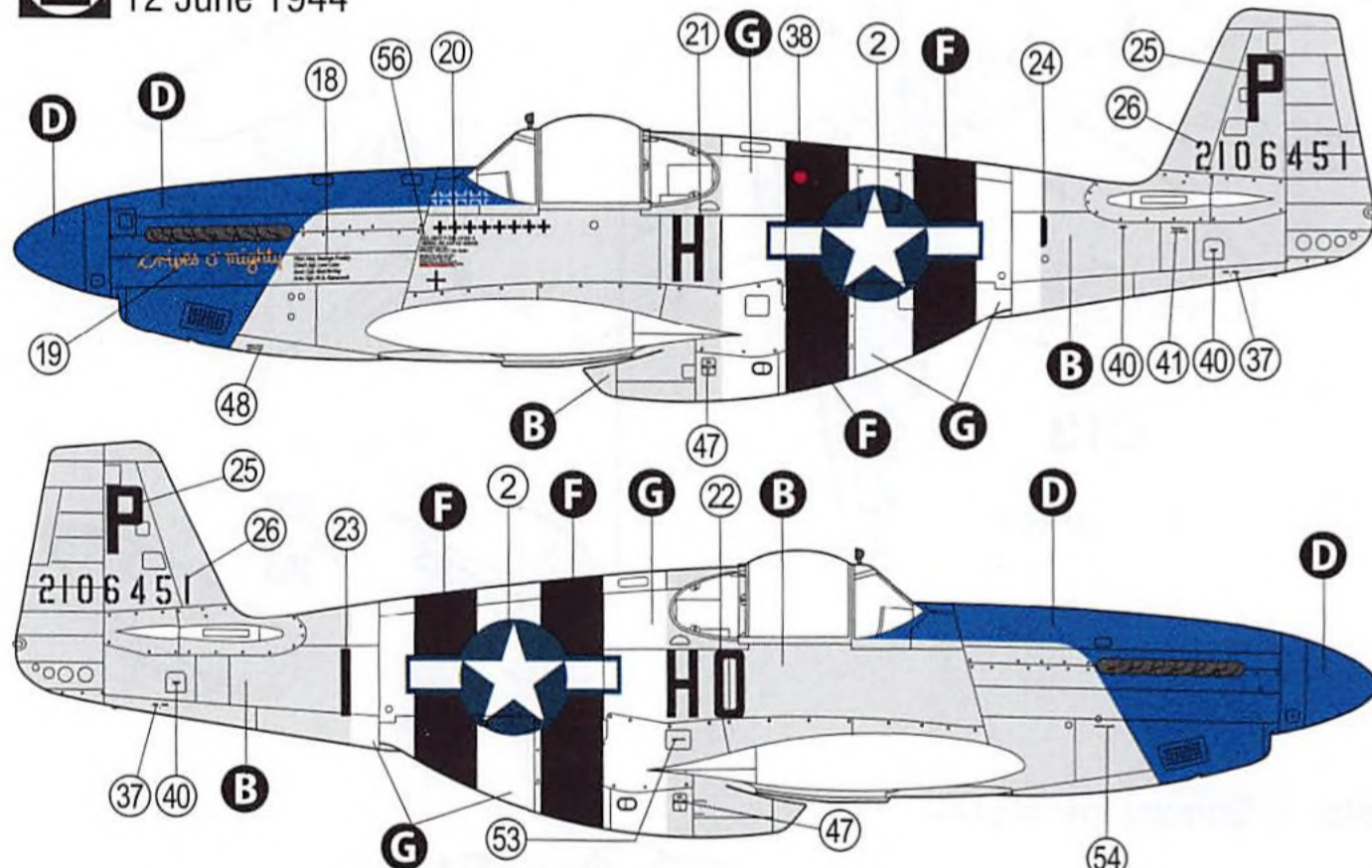
Oznakowania i Malowanie

Označeni & Zbarveni

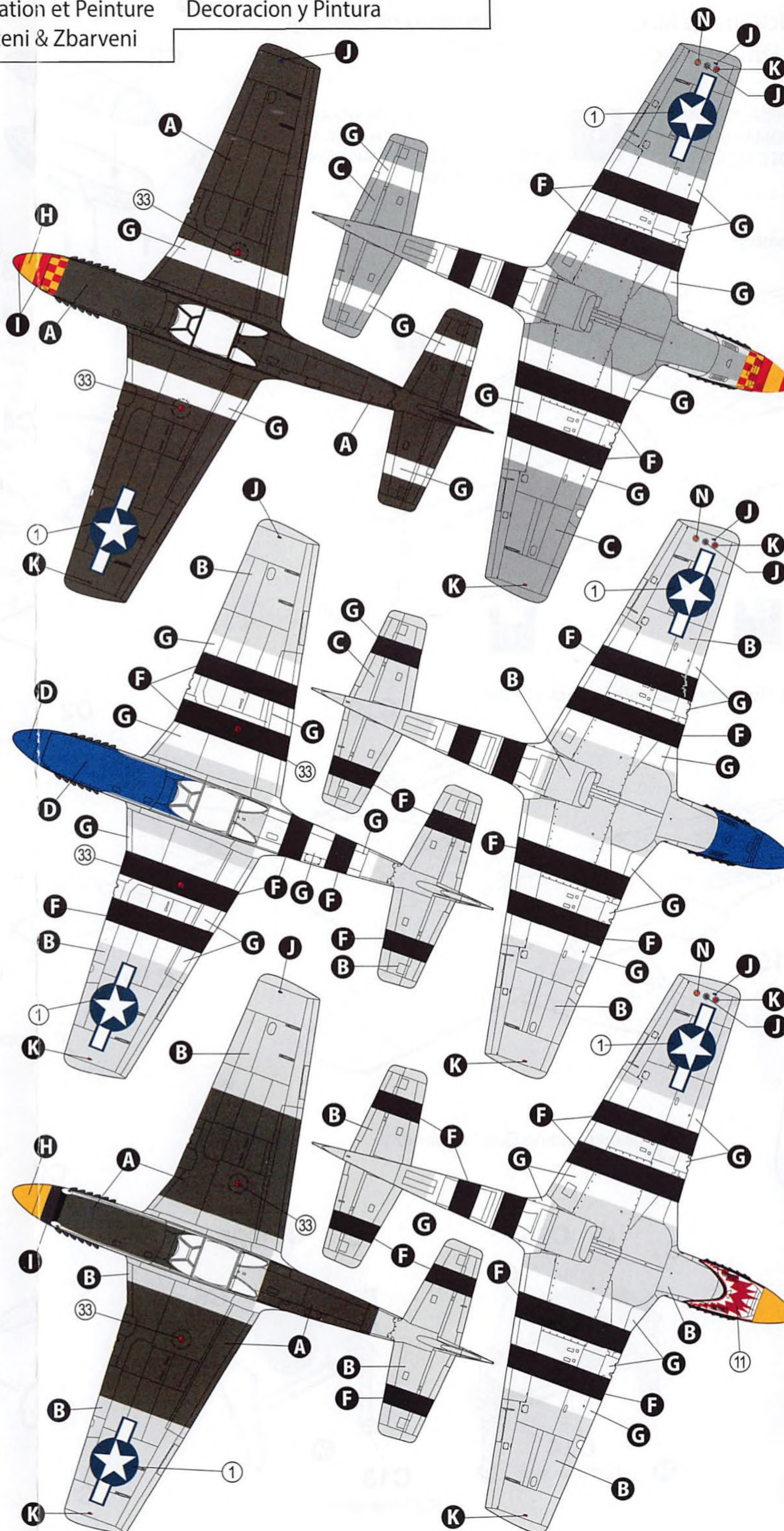
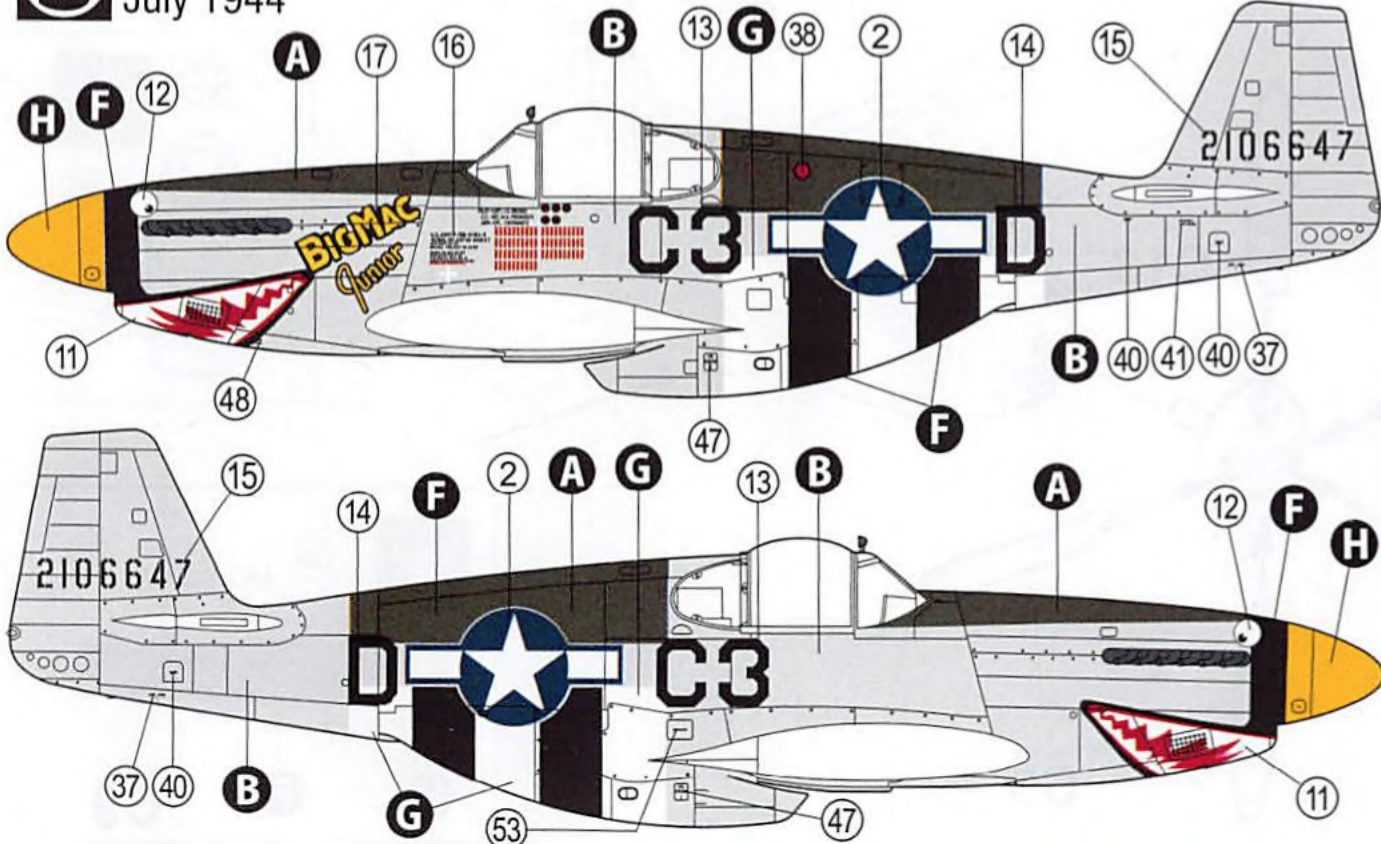
1 "Berlin Express", 1Lt William B. Overstreet, 363rd FS / 357th FG, Leiston, UK August 1944



2 "Cripes A'Mighty", Maj. George Preddy, 487th FS / 352nd FG, Bodney, UK 12 June 1944



3 "Big Mac Junior", Capt. John R. Brown, 382nd FS / 363rd FG, A-15, France July 1944



U.S. Aces over Europe 1944

72024



Painting Mask Set

F1 C25 C26 C21

Parts List:

- 1, 2, 3, 4, 5, 6, 7, 9, 10, 11, 12, 13, 14, 15, 16, 17, 18, 19, 20, 21, 22, 23, 24, 25, 26, 33, 37, 40, 41, 47, 48, 53, 54, 56, 57, 58, 59, 60, 61, 62, 63, 64, 65, 66, 67, 68, 69, 70, 71, 72, 73, 74, 75, 76, 77, 78, 79, 80, 81, 82, 83, 84, 85, 86, 87, 88, 89, 90, 91, 92, 93, 94, 95, 96, 97, 98, 99, 100

Color Chart	Mr. COLOR	TAMIYA	AMMO	AK Interactive	ALCLAD2	HATAKA
Olive Drab	A 012	XF-58	237	RC 259	E617	004
Aluminium	B MC218	XF-16	195	AK-479	101	078
Neutral Grey	C 013	XF-20	239	RC 261	E659	033
Medium Blue	D 065	XF-8	103	RC 017	E640	102
Interior Green	E 027	XF-71	220	RC 028	E309	211
Flat Black	F 033	XF-1	046	RC 001	E102	100
Flat White	G 062	XF-2	050	RC 004	E101	101
Flat Yellow	H 004	XF-3	048	RC 007	E606	107
Flat Red	I 068	XF-7	049	RC 006	E605	103
Clear Blue	J 050	X-23	098	RC 504	403	CC01
Clear Red	K 047	X-27	093	RC 503	401	CC02
Burnt Metal	L 061	XF-84	187	RC 015	104	
Silver	M 008	X-11	195	RC 020	112	003
Clear Orange	N 049	X-26	097	RC 506		

ASSEMBLY INSTRUCTION
Istruzioni di Assemblaggio

Bauanleitung
Instrukcja Montażu

Instructions de Montage
Montážní Instrukce

Instrucciones de Montaje



OPTION
NACH BELIEBEN
DO WYBORU
VOLBA

FACULTATIF
HACER AQUJERO
FACOLTATIVO



APPLY DECAL
HIEAR ABZIEHBILD
KALKOMANIA
POUŽIJTE OBTISK

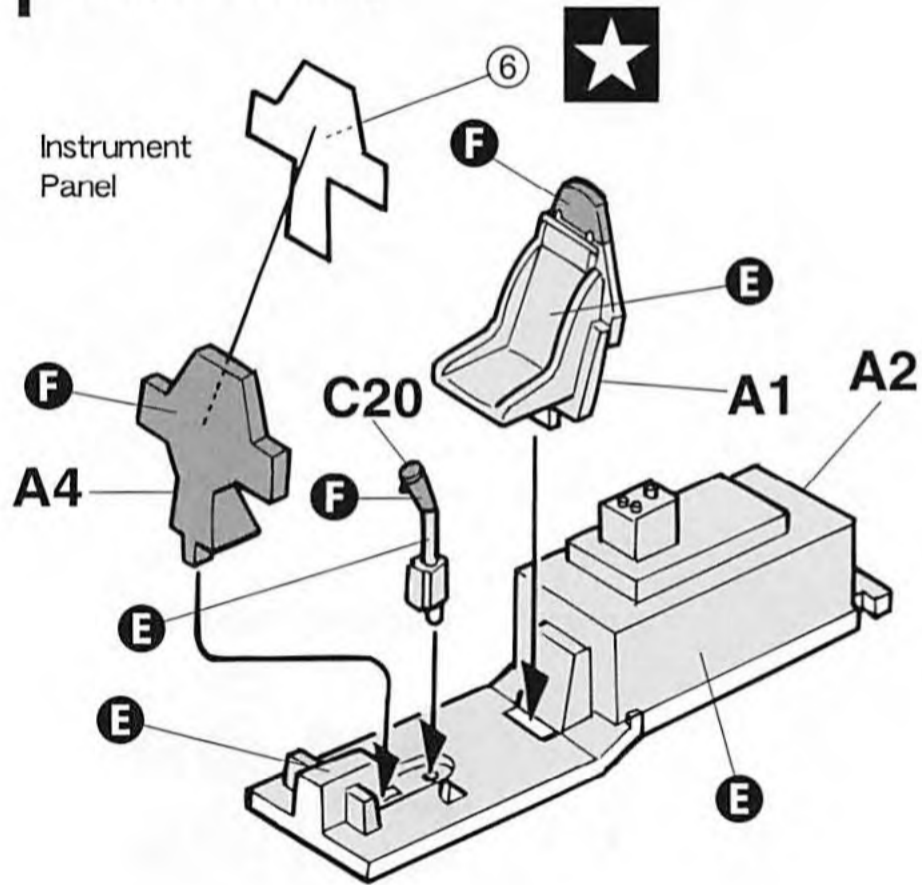
APPLICARE DECALCOMANIE
PONER CALCOMANIA
APPLIQUER DECALCOMANIE



OPEN HOLE
OFFNEN
WYKONAĆ OTWÓR
VYVRTAT OTVOR

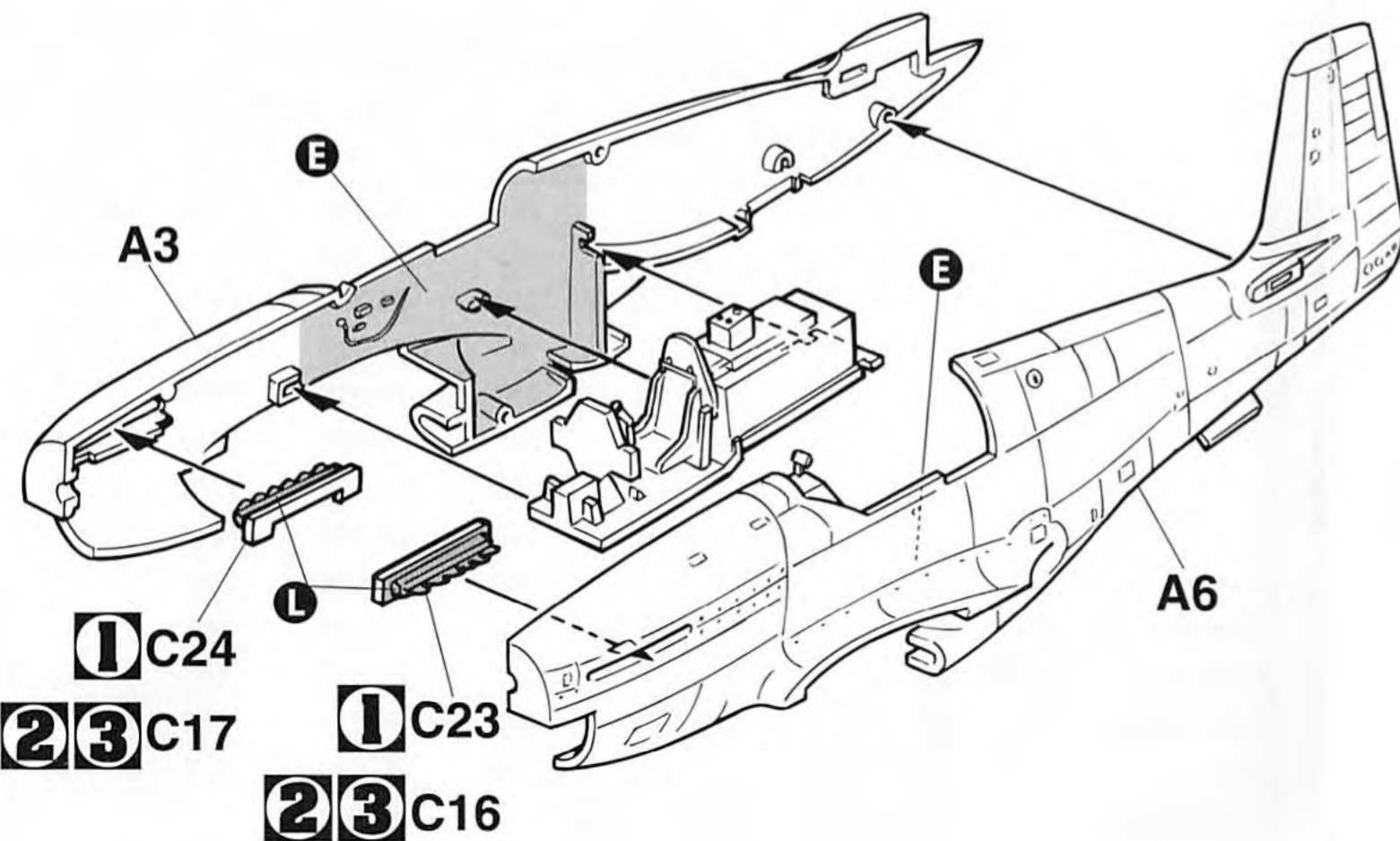
FORO APERTO
HACER AQUJERO
FAIRE UN TROU

1 Cockpit Assembly

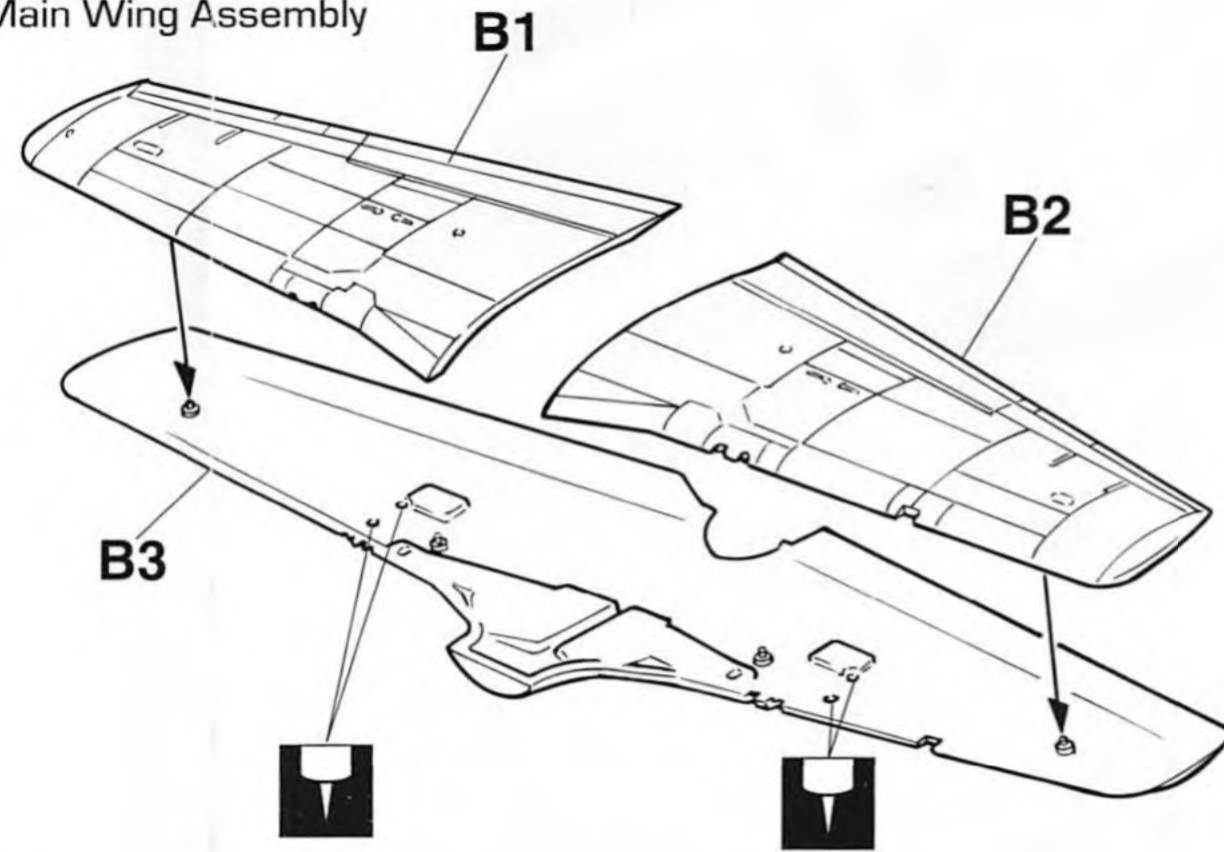


2 Fuselage Assembly

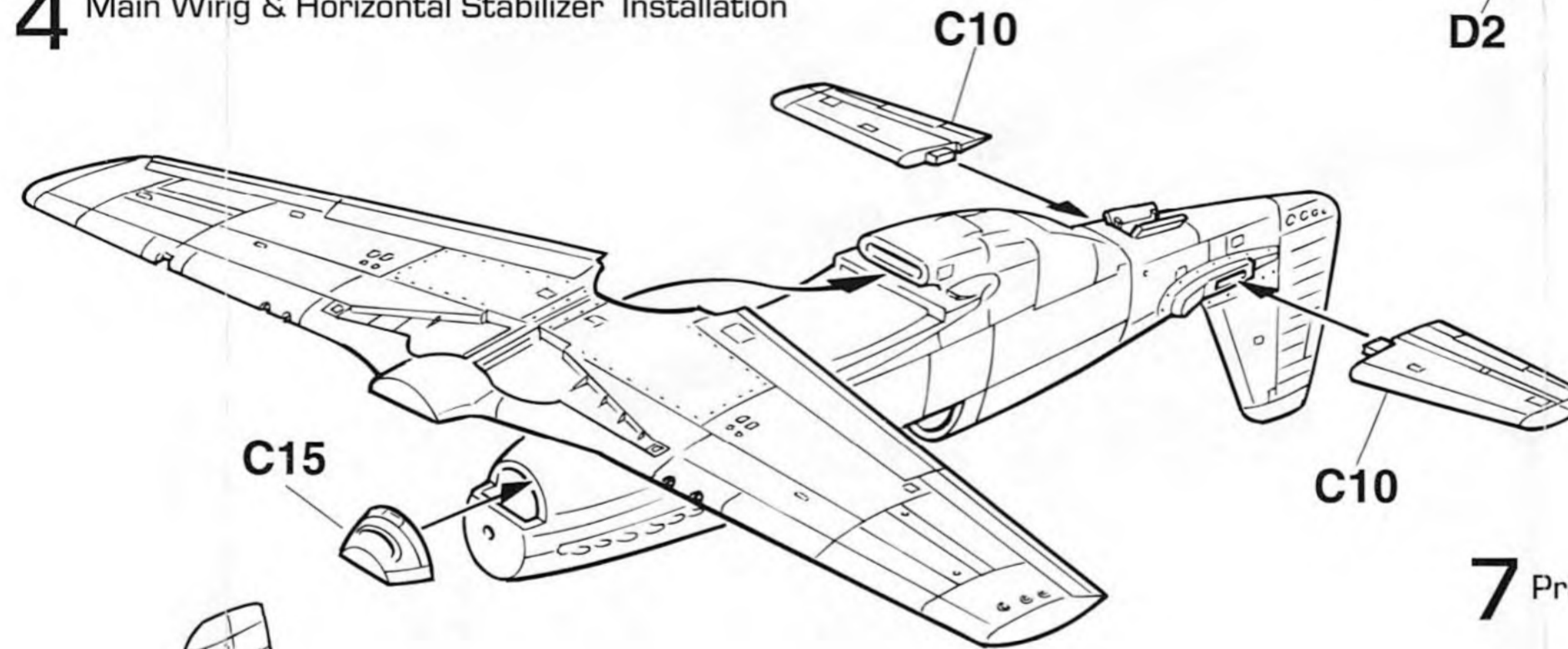
- 21** PAINT SCHEME NUMBER
SCHEME NOMBRE DE PEINTURE
LACKIERSCHEMENUMMER
- 3** NÚMERO DE PINTURA DEL RÉGIMEN
NÚMERO DE ESQUEMA DE PINTURA
NUMER SCHEMATU MALOWANIA
ČÍSLO SCHÉMATU MALOVÁNÍ



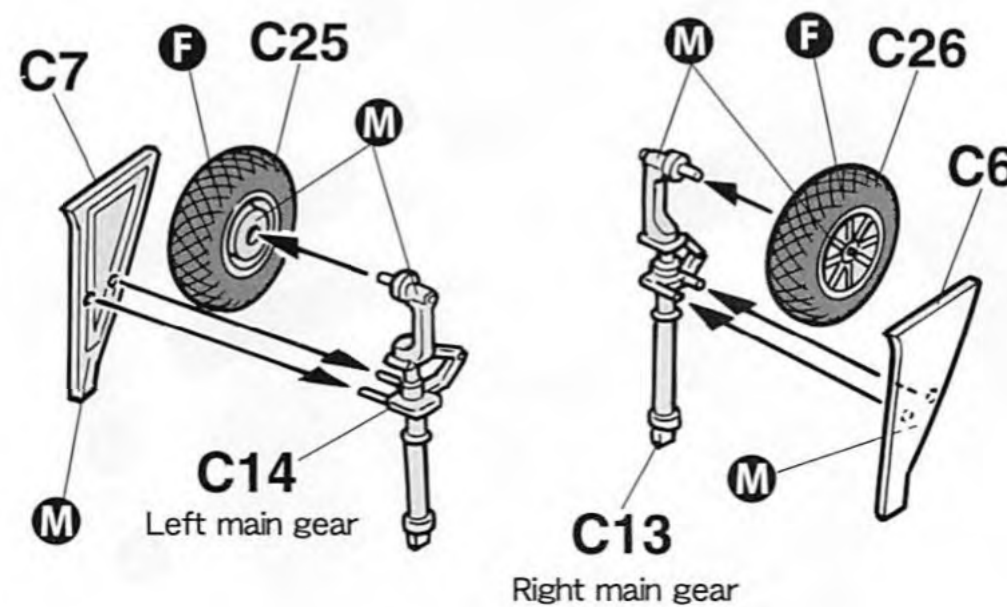
3 Main Wing Assembly



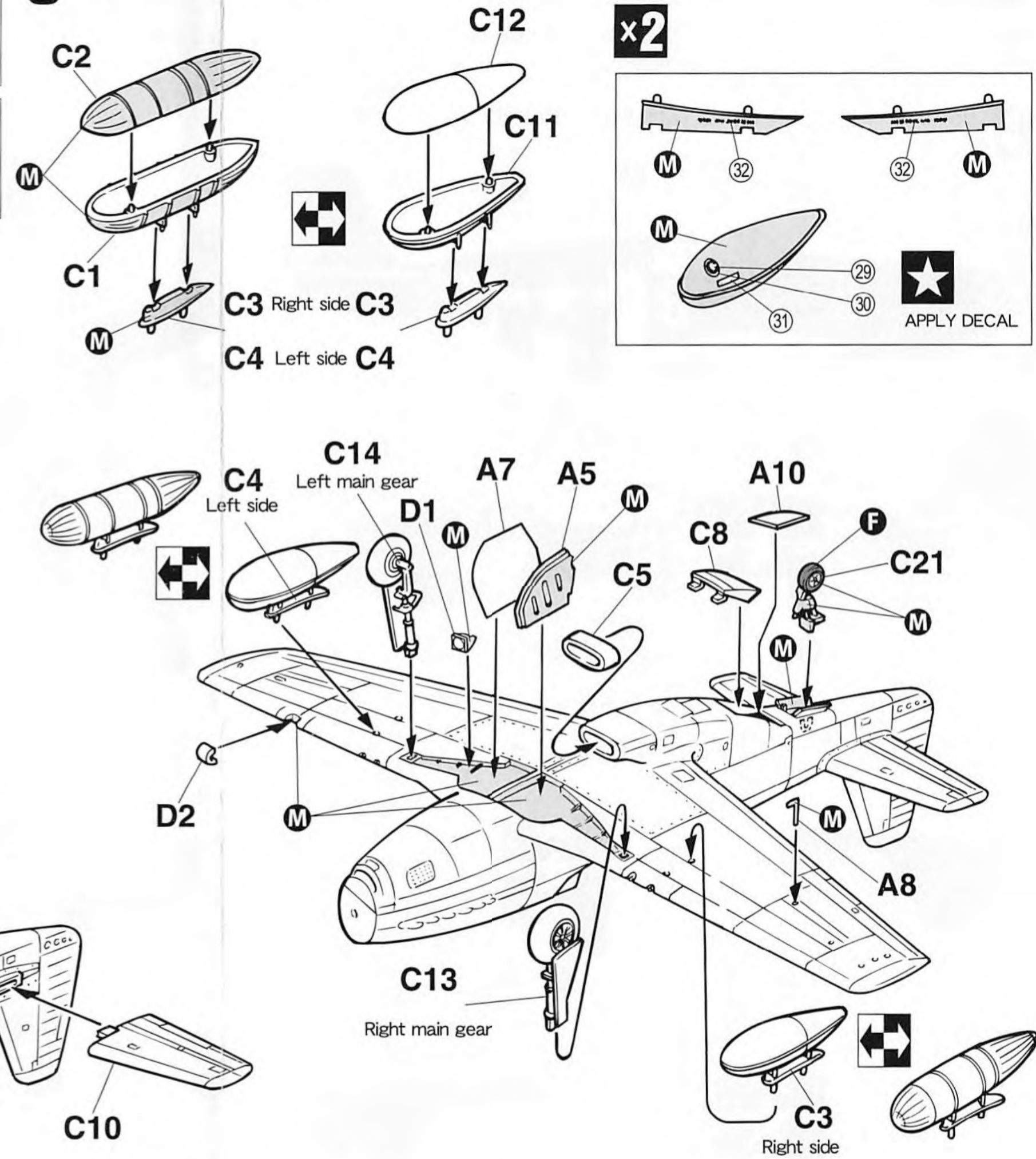
4 Main Wing & Horizontal Stabilizer Installation



5 Main Landing Gear Assembly



6 Various Parts Installation



7 Propeller & Canopy Installation

