

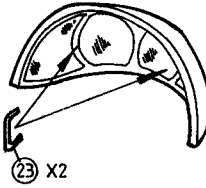
This detail set is manufactured from photo etched brass sheet and is meant for use on the 1:48 Revell kit.

Use a sharp modelling knife or scalpel to separate components ensuring this is done on a firm surface as near to the part as possible. Tag scars can be cleaned by holding part firmly in pliers and using a fine file. To fold part, support up to line of fold and fold in one go, holding part in pliers and using blade of screwdriver to fold.

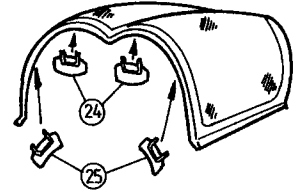
For assembly use superglue or epoxy. Only use epoxy to fix brass to clear parts. Before painting fully deflux part by cleaning in washing up liquid and rinsing in clean water. Dry parts thoroughly and prime with self etching primer, or white or grey enamel.

Position of parts in diagrams are for guidance only. Colouring and final positioning should be checked against reference material. We recommend Detail & Scale volume 24 available from E.D. Models. All artwork and components designed by Keith Melville. Set manufactured in England for E.D. Models, 64 Stratford Road, Shirley, Solihull, West Midlands B90 3LP, England. Telephone 021-744-7488.

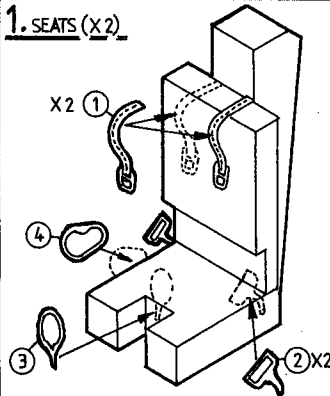
5. WINDSCREEN INTERIOR



6. CANOPY MIRRORS

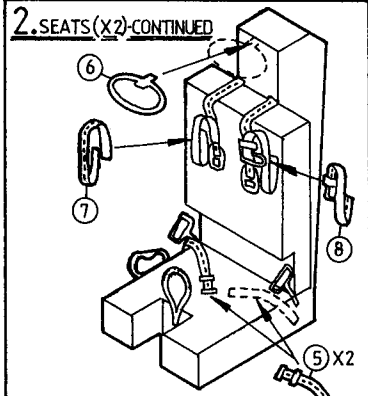


1. SEATS (X2)



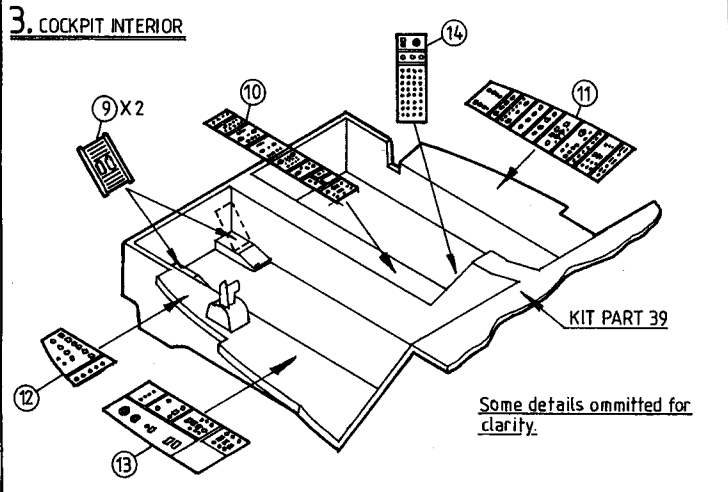
Remove all engraved and moulded seat belt detail.

2. SEATS (X2)-CONTINUED



Some seat details omitted for clarity.

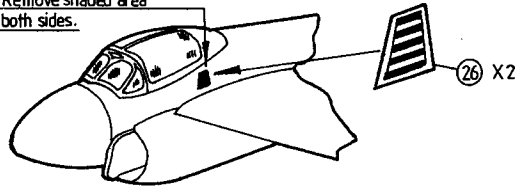
3. COCKPIT INTERIOR



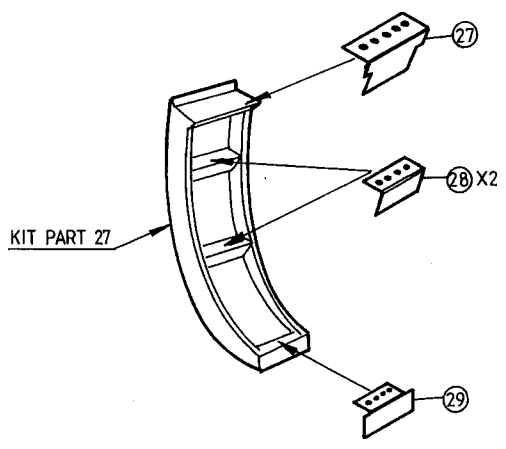
Some details omitted for clarity.

7. COCKPIT GRILLES

Remove shaded area both sides.



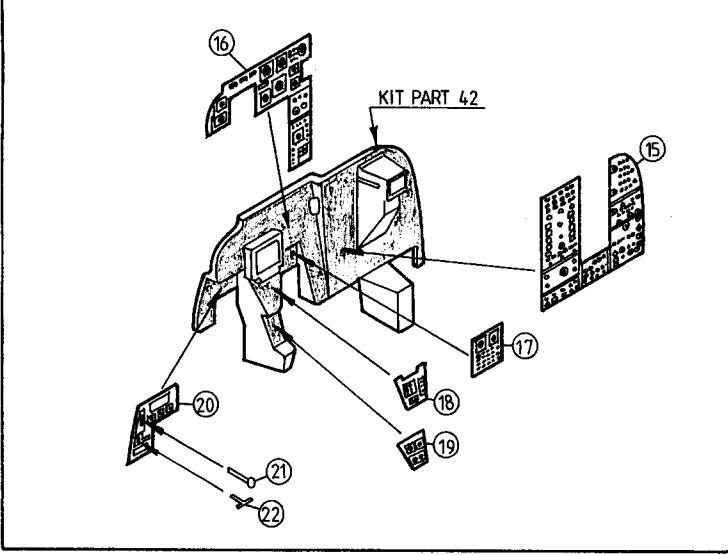
8. BOARDING LADDER



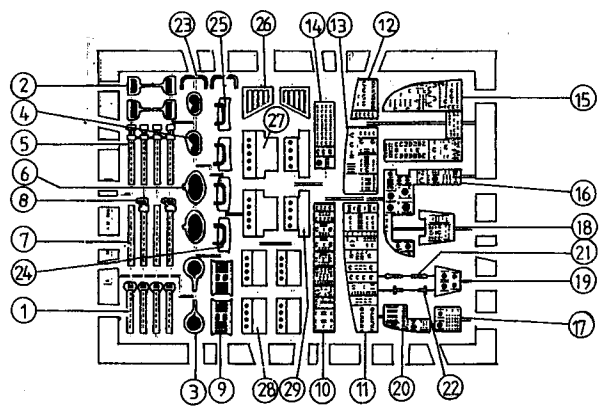
Replace plastic steps with etched brass items. Fold brass steps as shown. Two sets are included to do both sides of aircraft although starboard stairwell will need to be scratchbuilt. See Ted Taylors article in September 1989 issue of Scale Models International for further building hints and tips.

4. INSTRUMENT PANEL

Remove engraved detail from shaded areas.



9. COMPONENT LAYOUT



THIS IS ONE OF THE AIRWAVES RANGE OF MODEL ACCESSORIES MANUFACTURED FOR AND DISTRIBUTED BY E.D. MODELS, 64 STRATFORD ROAD, SHIRLEY, SOLIHULL WEST MIDLANDS, B90 3LP, ENGLAND. TELEPHONE 021-744-7488.

PLEASE NOTE THAT THIS ARTWORK IS PROTECTED BY COPYRIGHT AND CANNOT BE REPRODUCED IN ANY FORM WITHOUT PRIOR WRITTEN CONSENT OF E.D. MODELS.