

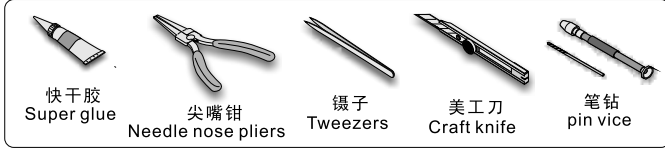
1/35 MILITARY MINIATURE VEHICLE UPGRADE SERIES PE35525

WWII German Opel Blitz 3t. 4x2 Cargo Truck / Cargo Bay

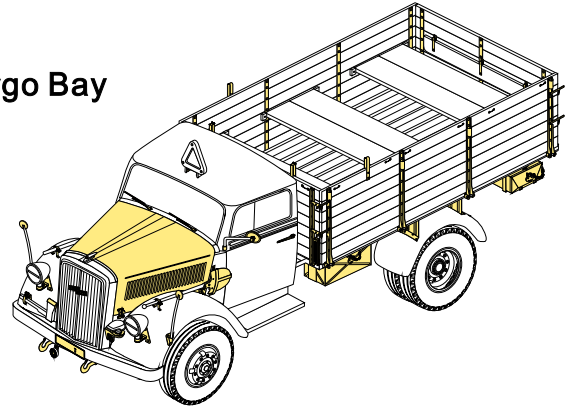
二战德军欧宝3吨4x2卡车(深货箱样式)改造件

[For DRAGON 6716]

推荐使用工具 RECOMMENDED TOOLS



- 安装 install
- 折叠 bend
- A1** 改造件零件编号 PE/resin part number
- B12** 原零件编号 kit part number
- G22** 被替换的原零件编号 replaced kit part number
- 切除 remove
- 打磨 grind off
- 弧度卷曲 radial bending
- 钻孔 drill
- 注意 caution
- 扩孔 ream
- x2** 制作若干组 multiple assembly
- 填补 fill
- 选择安装 alternative
- 另一侧相同制作 repeat on opposite side

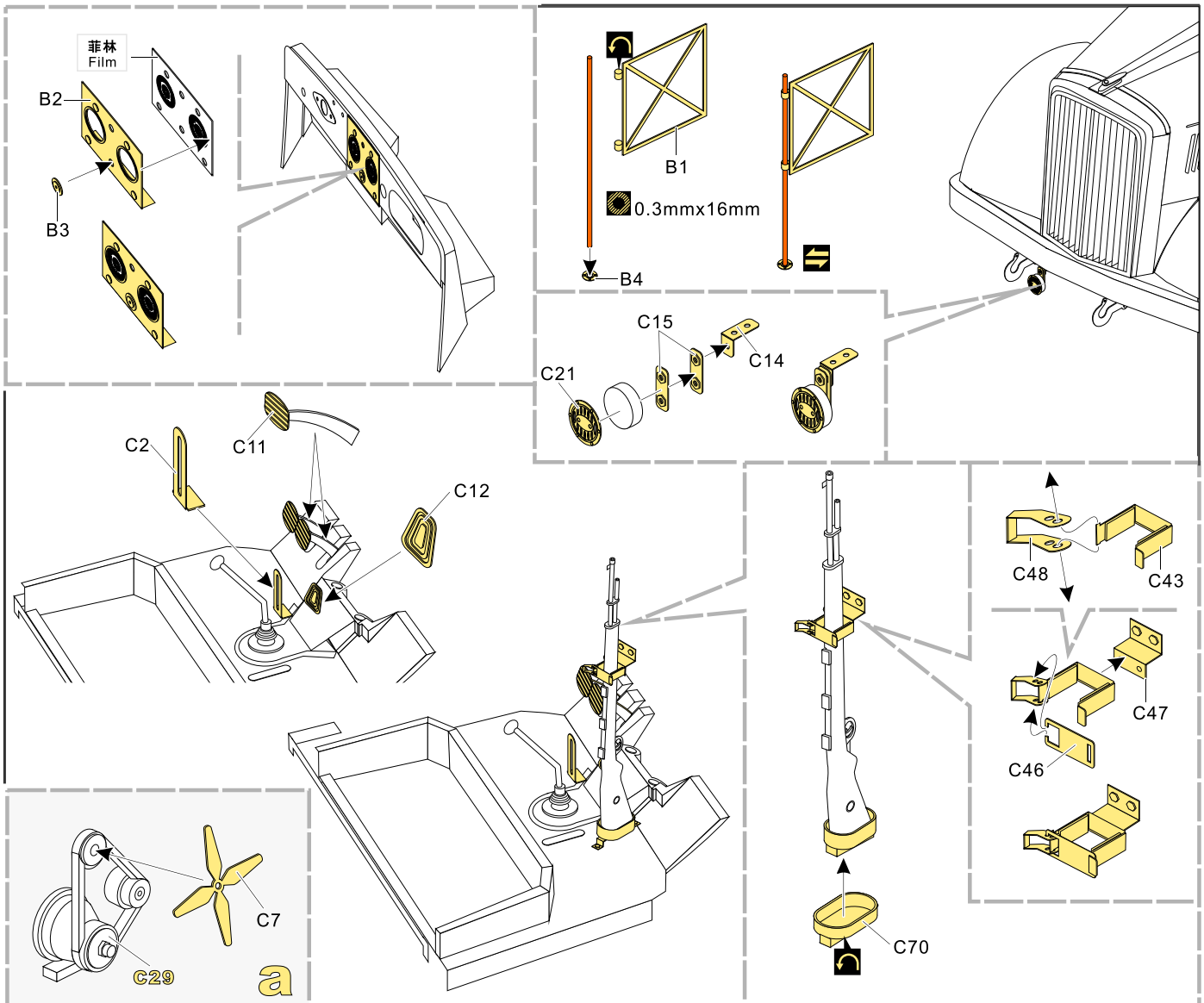


用尖端在凹槽处冲压
use penpoint to press on the dent

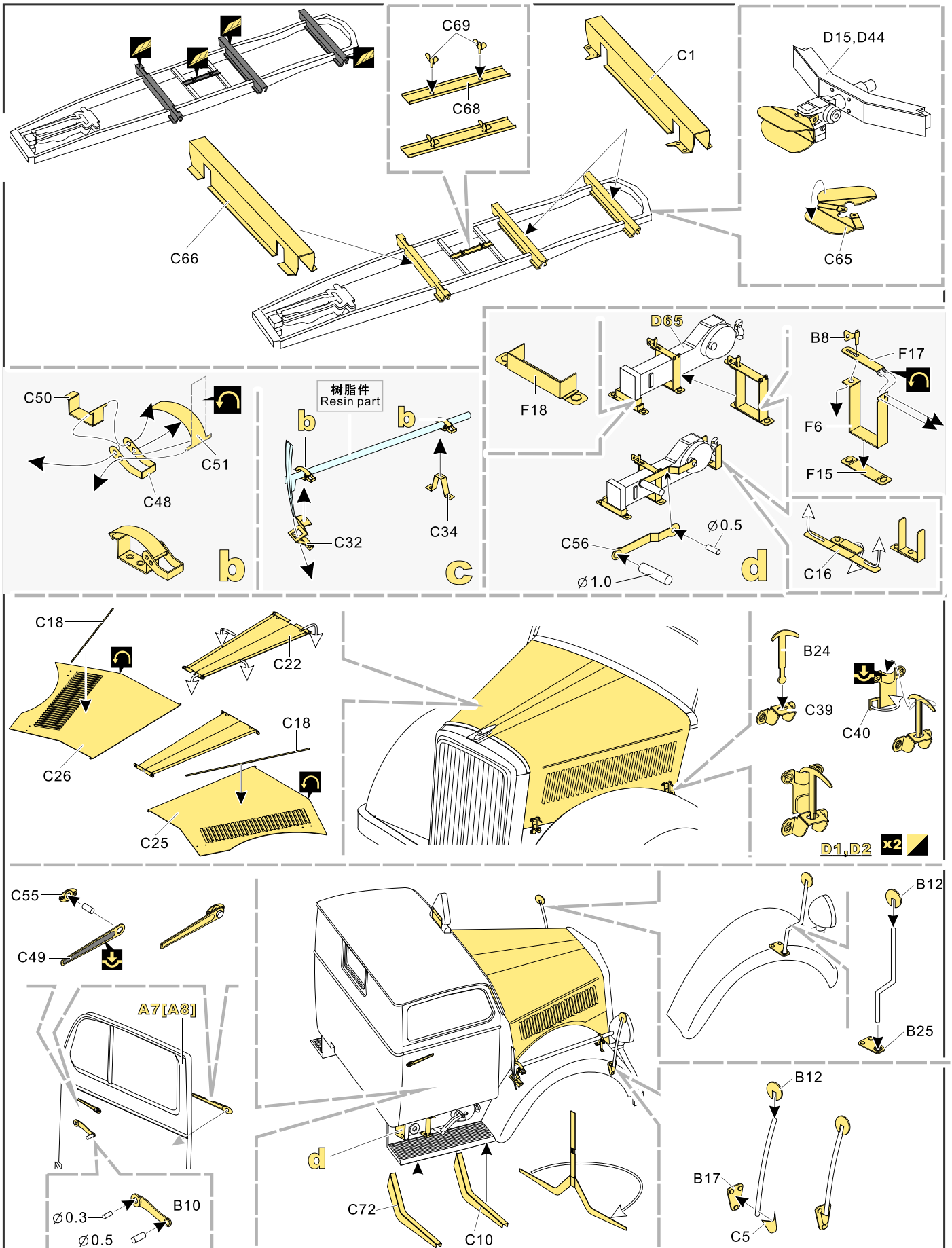
蚀刻片零件内侧面向上
Put the part upside down

用笔尖在凹槽处刮
Use penpoint to press on the dent

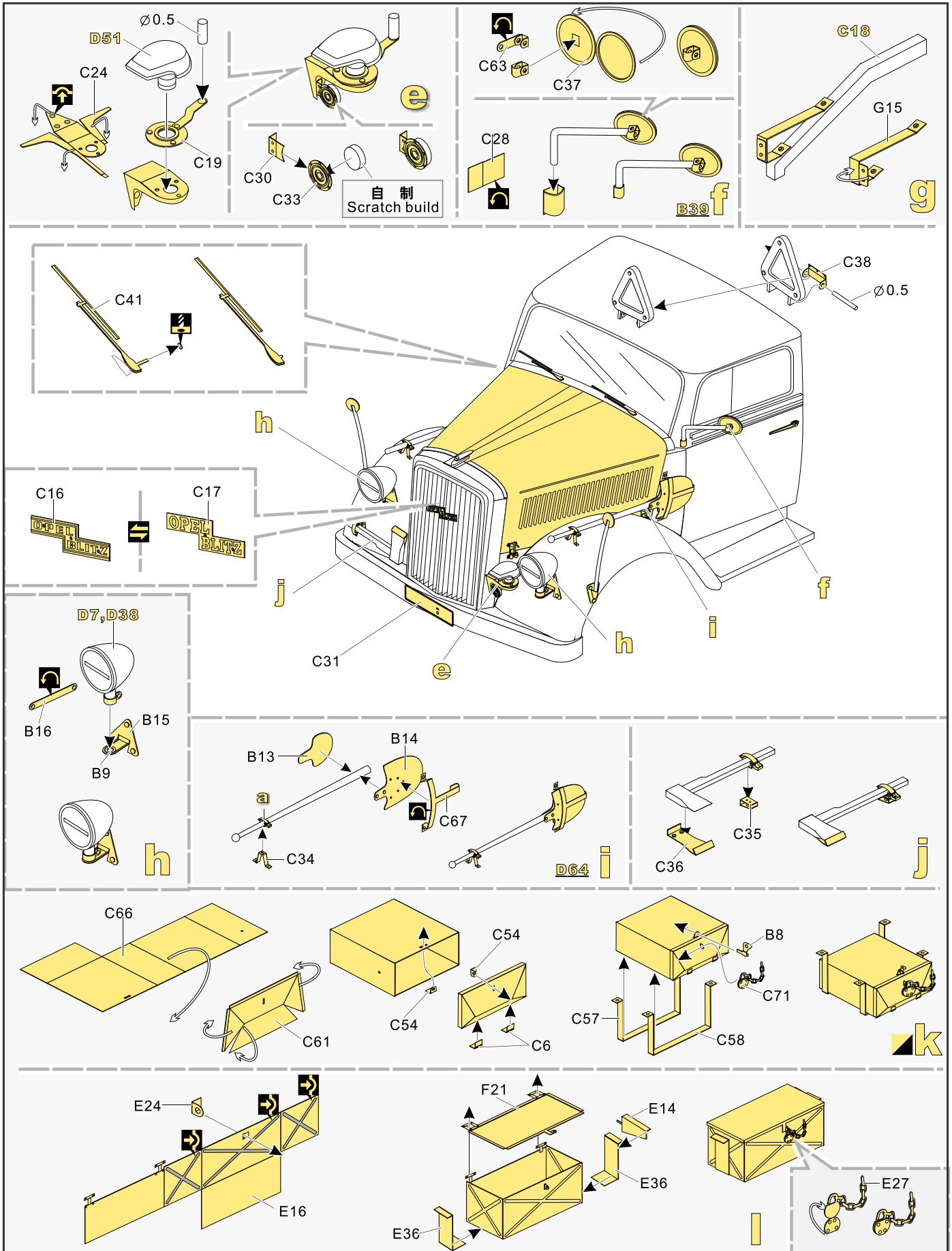
制作线圈
make coil



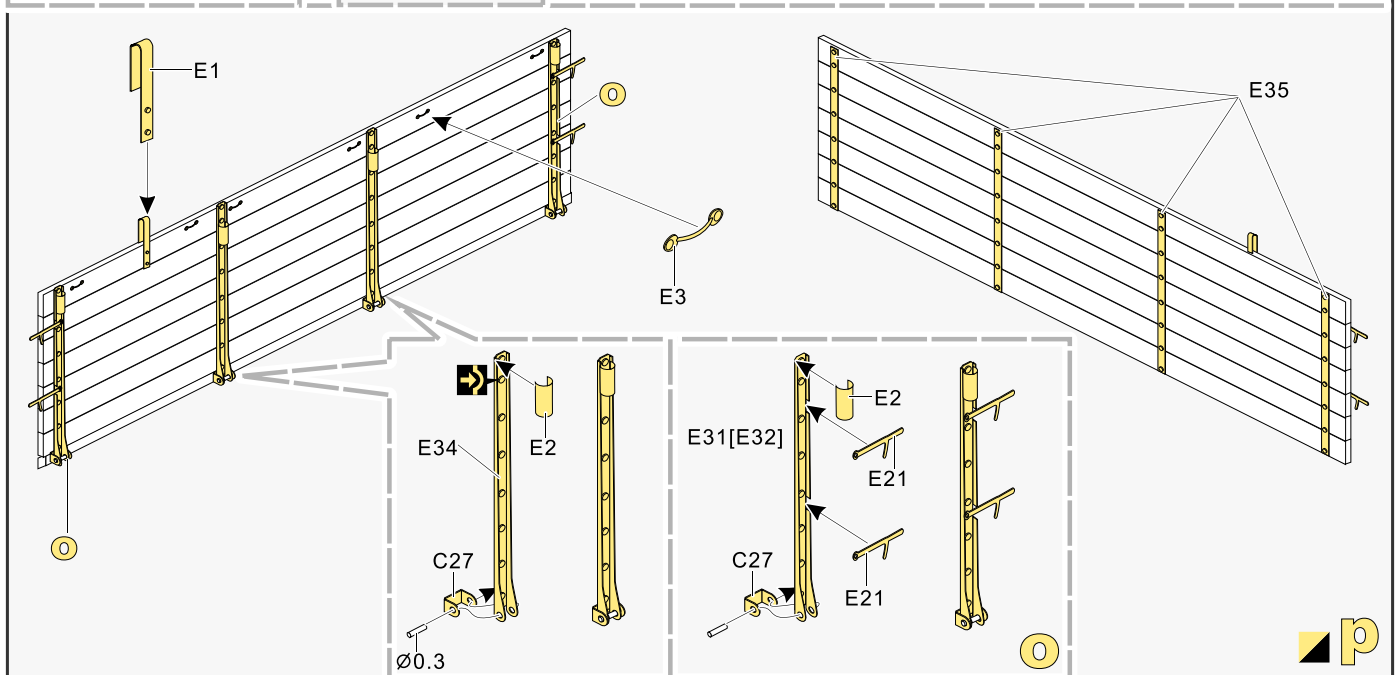
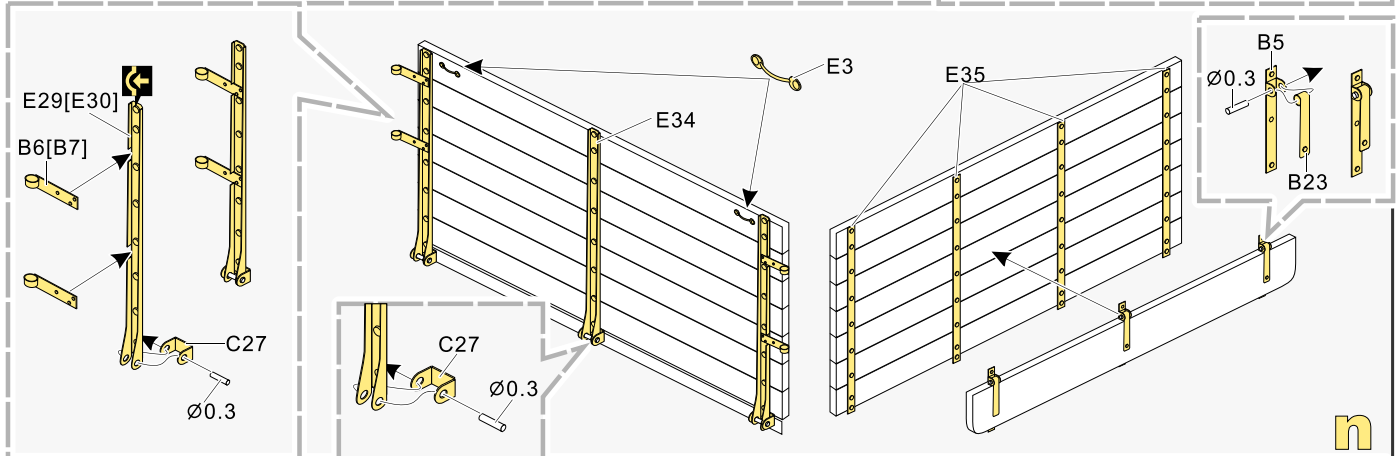
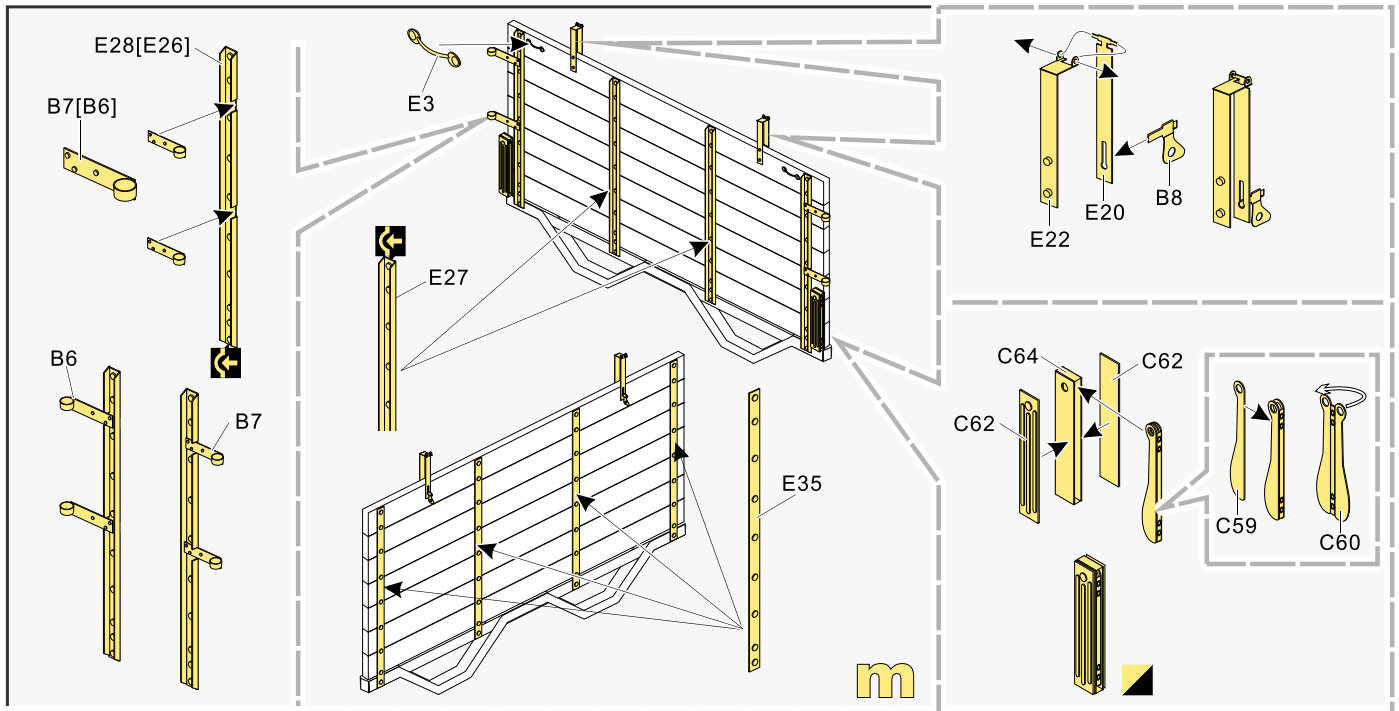
1/35 MILITARY MINIATURE VEHICLE UPGRADE SERIES PE35525



1/35 MILITARY MINIATURE VEHICLE UPGRADE SERIES PE35525



1/35 MILITARY MINIATURE VEHICLE UPGRADE SERIES PE35525



1/35 MILITARY MINIATURE VEHICLE UPGRADE SERIES PE35525

自制
Scratch build

C13 C45
C8 C9 B26 B11

E9

C44
C13

自制
Scratch build

E6 E7 E8

1.0x2.0mm

q

E23 E17 E18 E19

q

r

k

<http://www.voyagermodel.com/productdetails.asp?itemid=PE35525>

VOYAGER MODEL

更多PE35525样品照片参考请扫一扫
MORE PICTUER OF PE 35525
REFERENCE SCAN HERE

VOYAGERMODEL® 无微不至 极致享受

Recommended item

Pe35220	WWII German Schwimmwagen Type 166
Pe35246	WWII German Opel Blitz 3t. 4x2 Cargo Truck /Shallow Cargo Bay
Pe35249	WWII German Kubelwagen Type 82
Pe35362	WWII German Sd.Kfz.7 8t Half Track Early Version
Pe35389	WWII German Steyr 1500A Kommandeurwagen
Pe35390	WWII German Steyr 1500A/01
Pe35407	WWII German Benz L4500A truck
Pe35462	WWII German Benz L4500R Maulter
Pe35465	WWII U.S. GMC 2.5ton 6X6 Cargo Truck
Pe35498	WWII German Sd. Kfz.9 Famo basic
Pe35515	WWII German Bussing Nag L4500S 4X2 Cargo Truck
Pe35523	WWII German Sd. Kfz.3a Maultier Half-Track
Pe35524	WWII German Opel Blitz 3t. 4x2 Cargo Truck /Shallow Cargo Bay