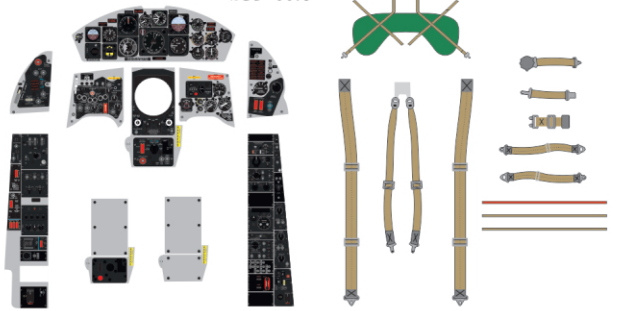


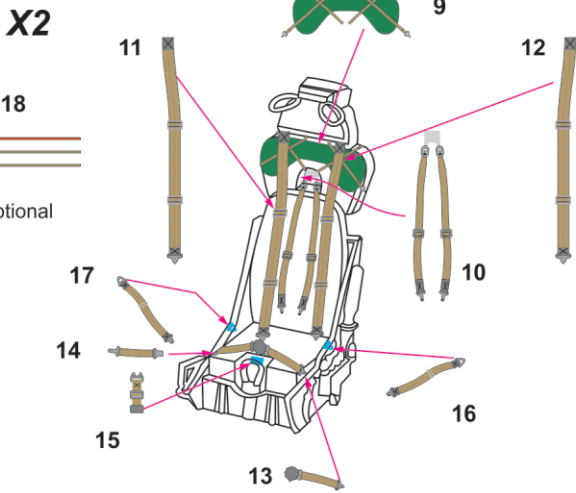
Are you ready for realistic models?

*1/32 Scale TF-104G STARFIGHTER
3D COCKPIT DETAIL SET
B3D-0016*



www.babibimodel.com © 2022

**For Italeri
1/32 Kits**



www.babibimodel.com

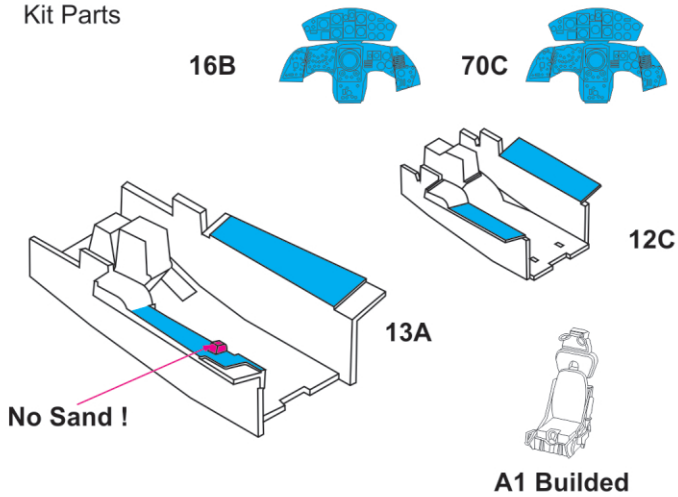
groups/babibimodel

Babibi TV

Babibimodel

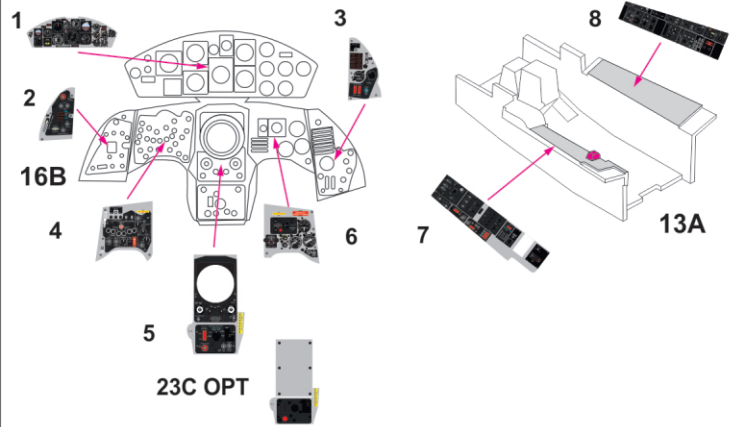
Thank you for purchasing Babibi Model products.

Kit Parts



- ① Prepare parts: Please sand all of the surfaces and delete all details
- ② Paint all of the parts and cockpit.
- ③ Apply clear coat all of the surfaces that will applied 3D-Decals.
- ④ Cut the sticker with a scissor and separate the 3D-Decal part in warm water.
- ⑤ Remove any water with an earstick or a tissue.
- ⑥ You can apply CA glue to invisible spots if needed.

FRONT COCKPIT



REAR COCKPIT

