



Sd.Kfz.223 Leichter Panzerspähwagen Funk

Sd.Kfz.223 無線裝甲車 德國Sd.Kfz.223通訊車

PLEASE READ BEFORE OPERATION!

- * Tools recommended as below: (Not included)
Adhesives; Paints; Side Cutters; Sharp Edged Pliers; Modeling Knife; Modeling File; Nippers; Drill; Scissors; Sand Paper; Soft Cloth; Cyanoacrylate Glue.
- * Make sure to read this instruction listed below before assembling.
- * The kit contains the small parts, they can be dangerous if swallowed by mistake, so keep them away from reach of children.
- * Cut the all parts off carefully and remove the waste parts into the garbage can.
- * More caution and care should be needed for cutting and handling the photo etched parts.
- * Make attention that some parts should be attached the decal when assembled.
- * During assembling, please tear up and throw away the plastic bags, or may cause the dangerous if wearing over head by children's mistake.
- * When using the adhesives and paints, please do not use them in the closed room or near the fire, also must be very careful to protect your eyes, face and clothes.
- * Adult supervised when assembled by children under 14 years old.

裝配前請仔細閱讀:

- * 推薦使用的模型工具(請自備):
專用模型膠水, 專用模型油漆, 水口剪刀, 長咀鉗, 刀片, 銼刀, 鑷子鉗, 鑽, 剪刀, 軟布, 砂紙, 瞬間快干膠等。
- * 用水口剪刀或刀片小心切下所有塑膠零件和蝕刻片零件, 不要遺失小零件。
- * 切取蝕刻片時應特別注意防止利刃划傷手指。
- * 用模型銼刀小心銼平所有零件表面的注射澆口。
- * 用適量的強力快干膠水粘合蝕刻片零件和金屬軸, 切忌過量, 否則可能導致可動零件被粘住。
- * 注意某些零件表面需在裝配時同步貼上水貼紙。
- * 製作時應遠離幼兒並將包裝袋及時收妥, 謹防小孩玩耍而引起意外。



using ca super glue
使用強力膠



weight
配重



make hole
鑽孔



cut / remove
切除



option
選擇



no cement
不涂膠水



decal
貼紙



bend
彎曲



repair
填補

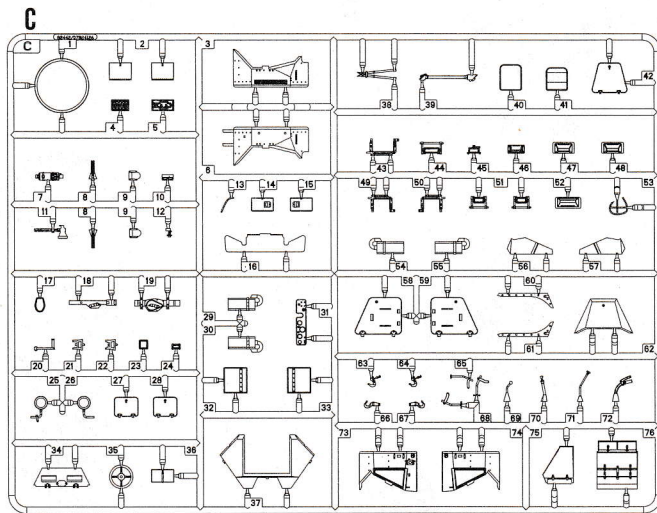
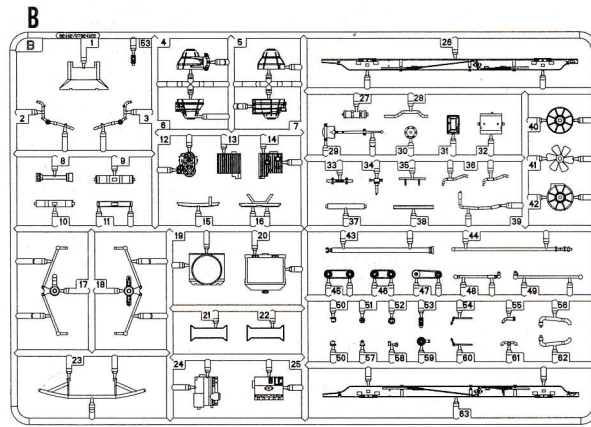
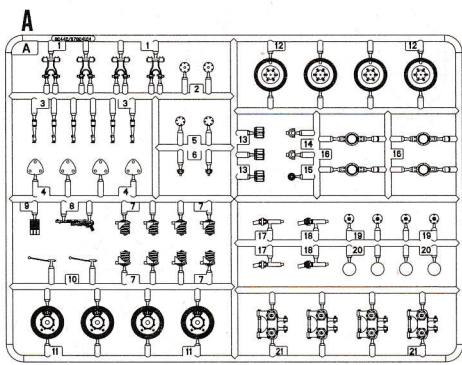
The method to apply the decals

1. Cut off the decal from the decal paper and put it into the warm water 40°C for 10 seconds.
2. Take the decal from the water and put it on a piece of clean cloth.
3. Remove the decal slowly from the paper to the targeted location by a wet finger.
4. Use a piece of dry and soft cloth to press it gently on the decal until it getting dry and no bubble existing.

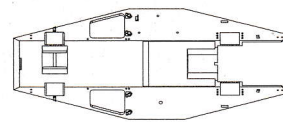
水貼紙的使用方法:

- 一. 把相關的印花從水貼紙上剪下, 放入40°C左右的溫水中浸10秒。
- 二. 然後將印花放在乾淨的布上。
- 三. 拿上印花紙板, 手指蘸水將印花移到適當的位置。
- 四. 用軟干布輕壓印花直至水干, 氣泡消失。

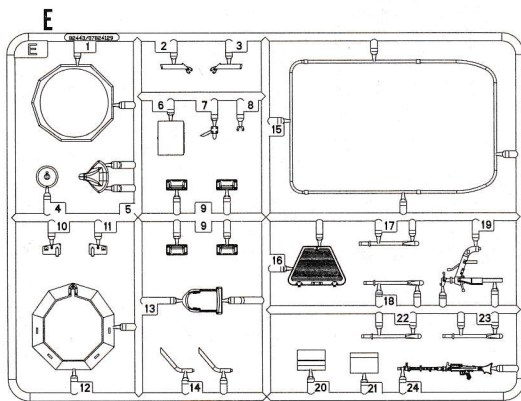
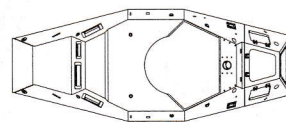
部品图 Parts



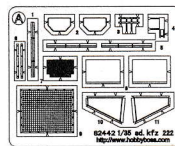
车底
Lower hull



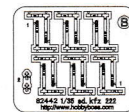
车面
Upper hull



蚀刻片-A
PE-A



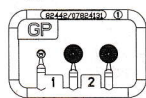
蚀刻片-B
PE-B



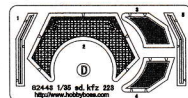
轮胎
Tyre × 4



GP



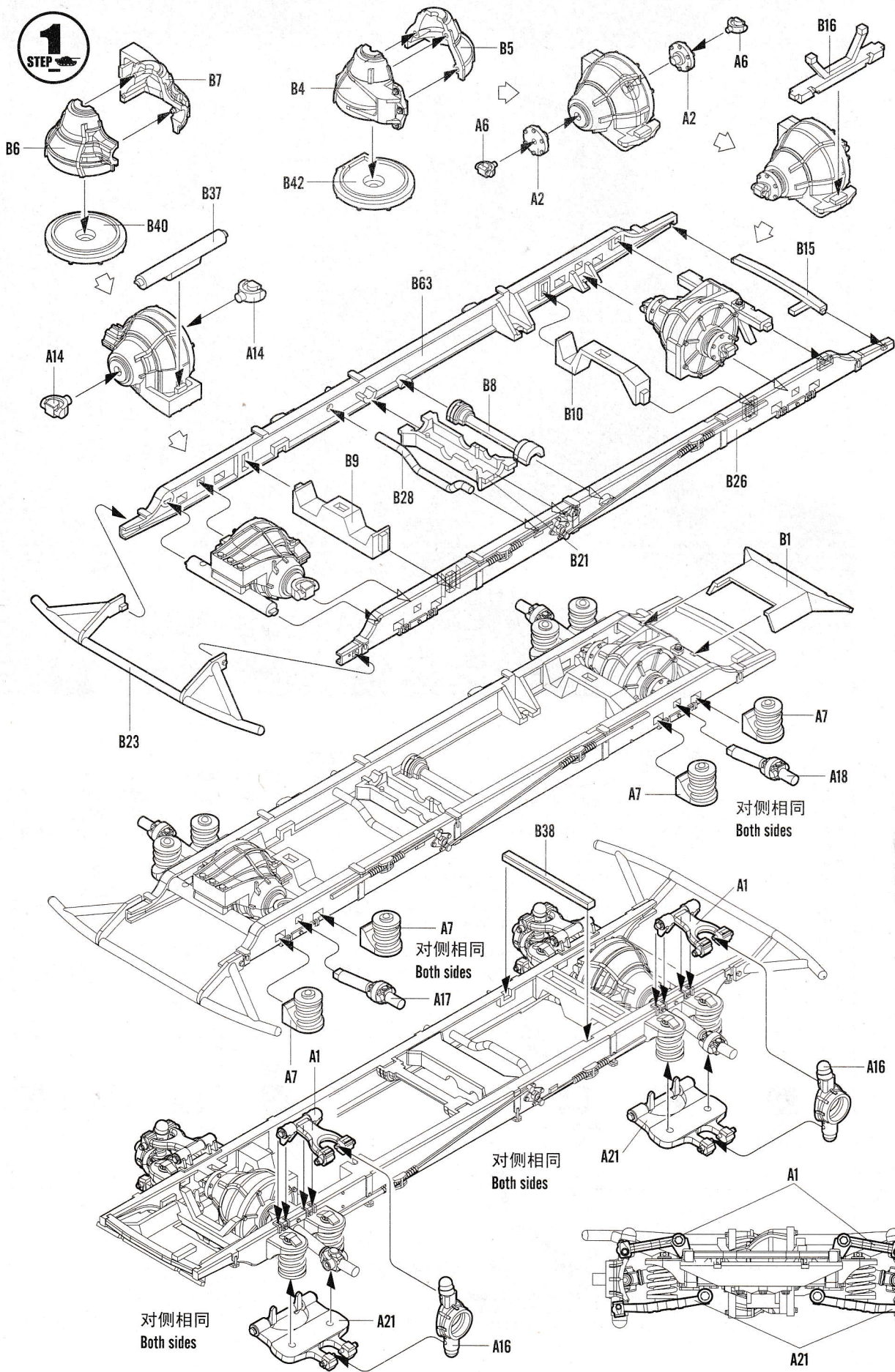
蚀刻片-D
PE-D



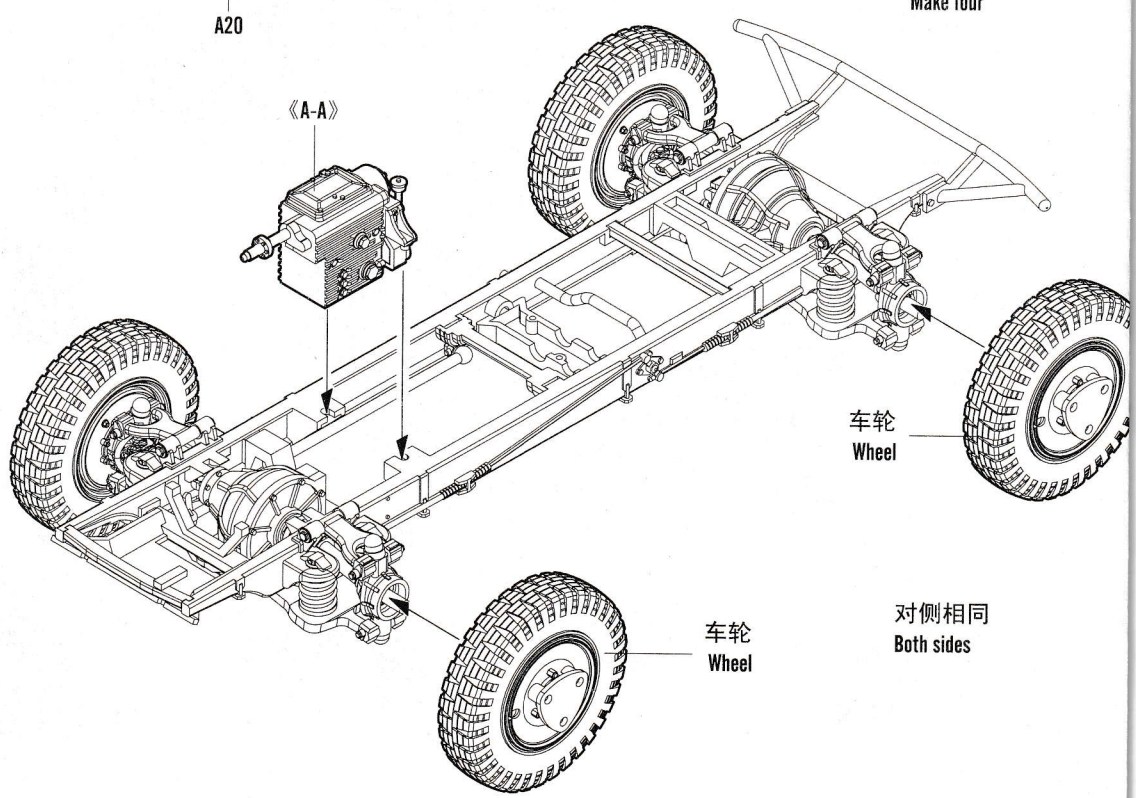
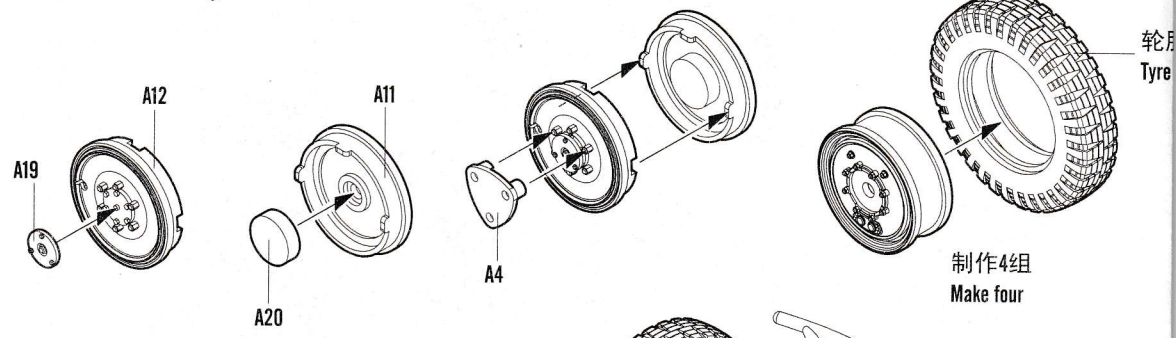
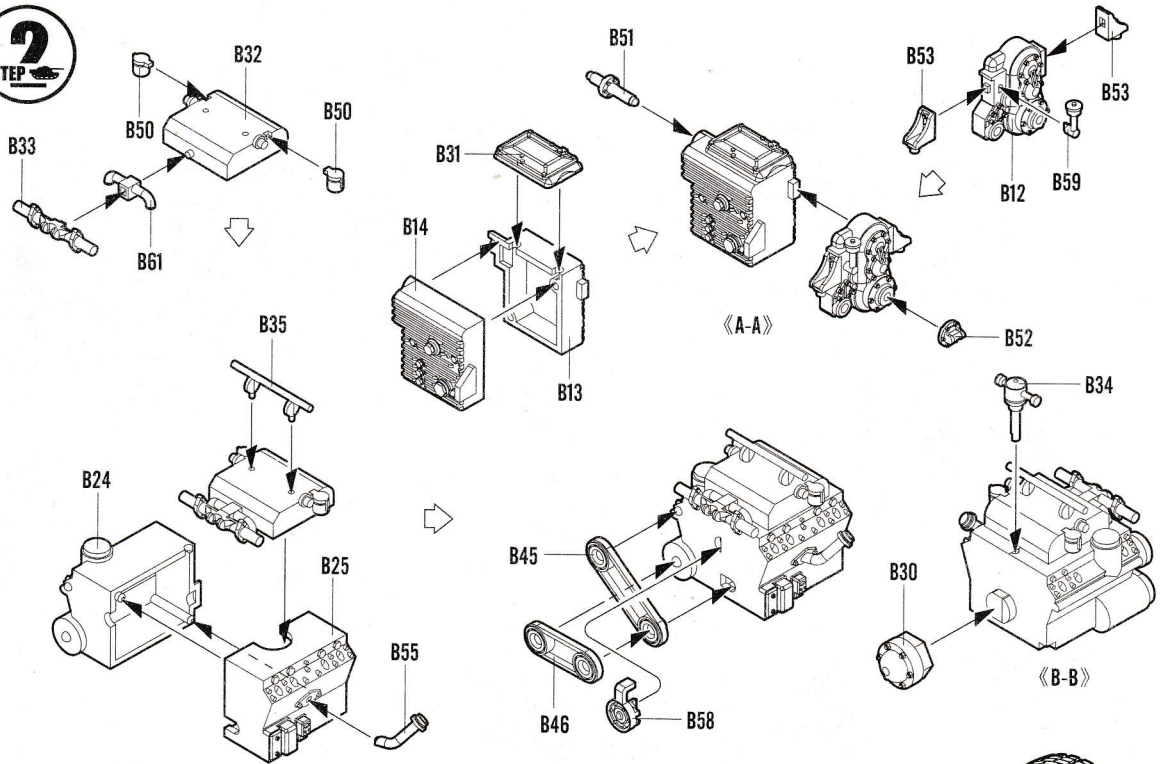
水贴
Decal

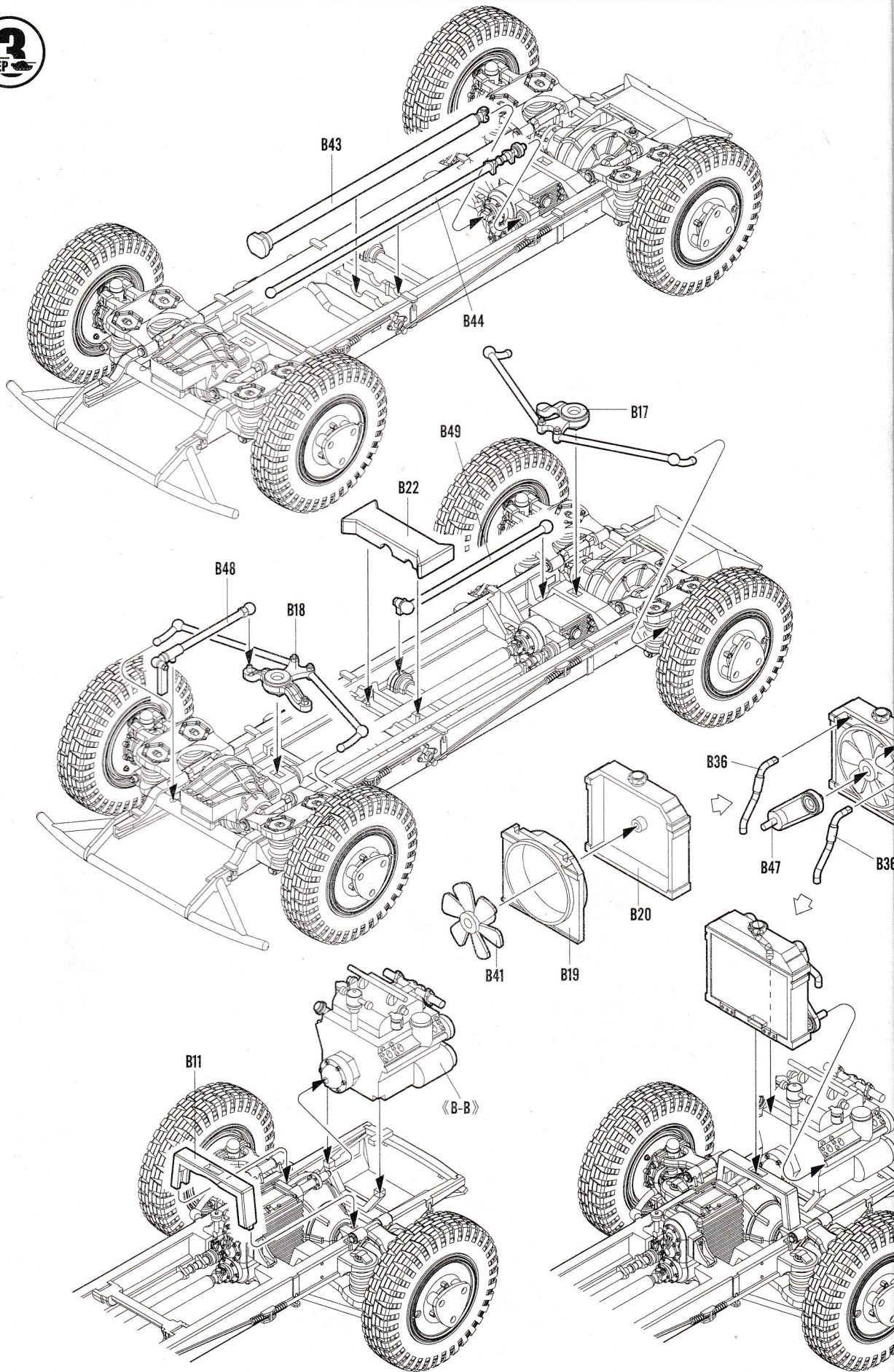


1
STEP



2
STEP







H 70 暗绿 Dark Green

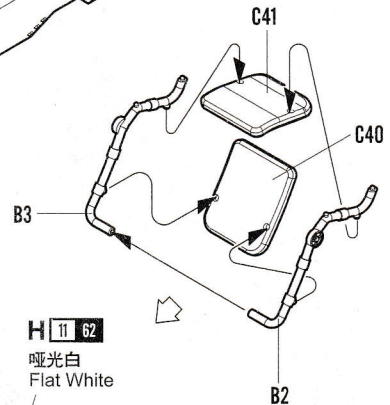
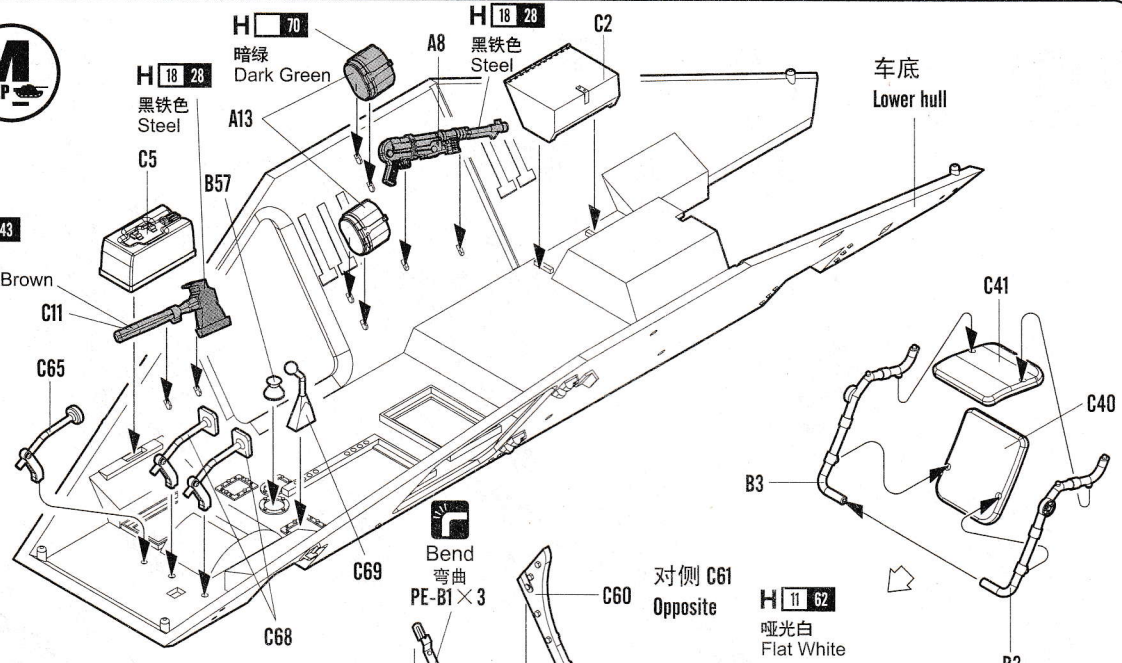
H 18 28 黑铁色 Steel

车底 Lower hull

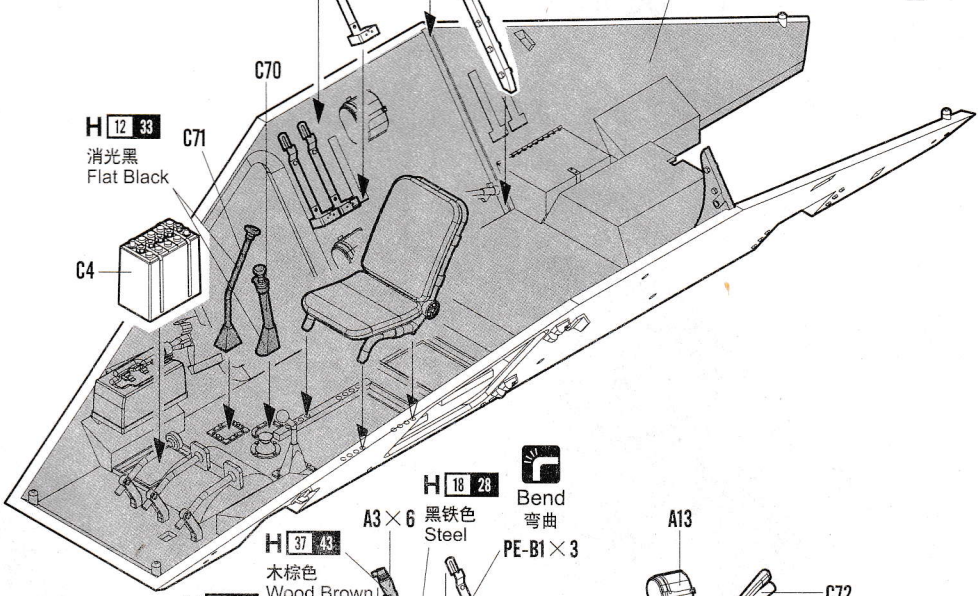
H 18 28 黑铁色 Steel

H 37 43 木棕色 Wood Brown

木棕色 Wood Brown



H 12 33 消光黑 Flat Black



H 18 28 黑铁色 Steel

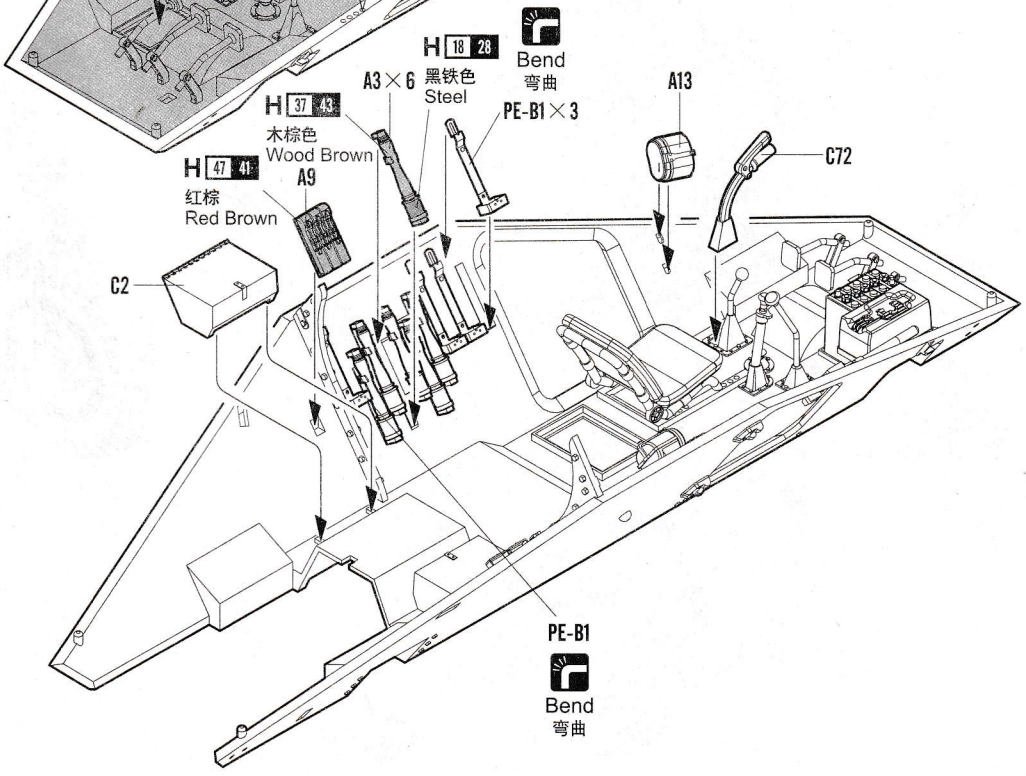
Bend 弯曲 PE-B1 x 3

H 37 43 木棕色 Wood Brown

木棕色 Wood Brown

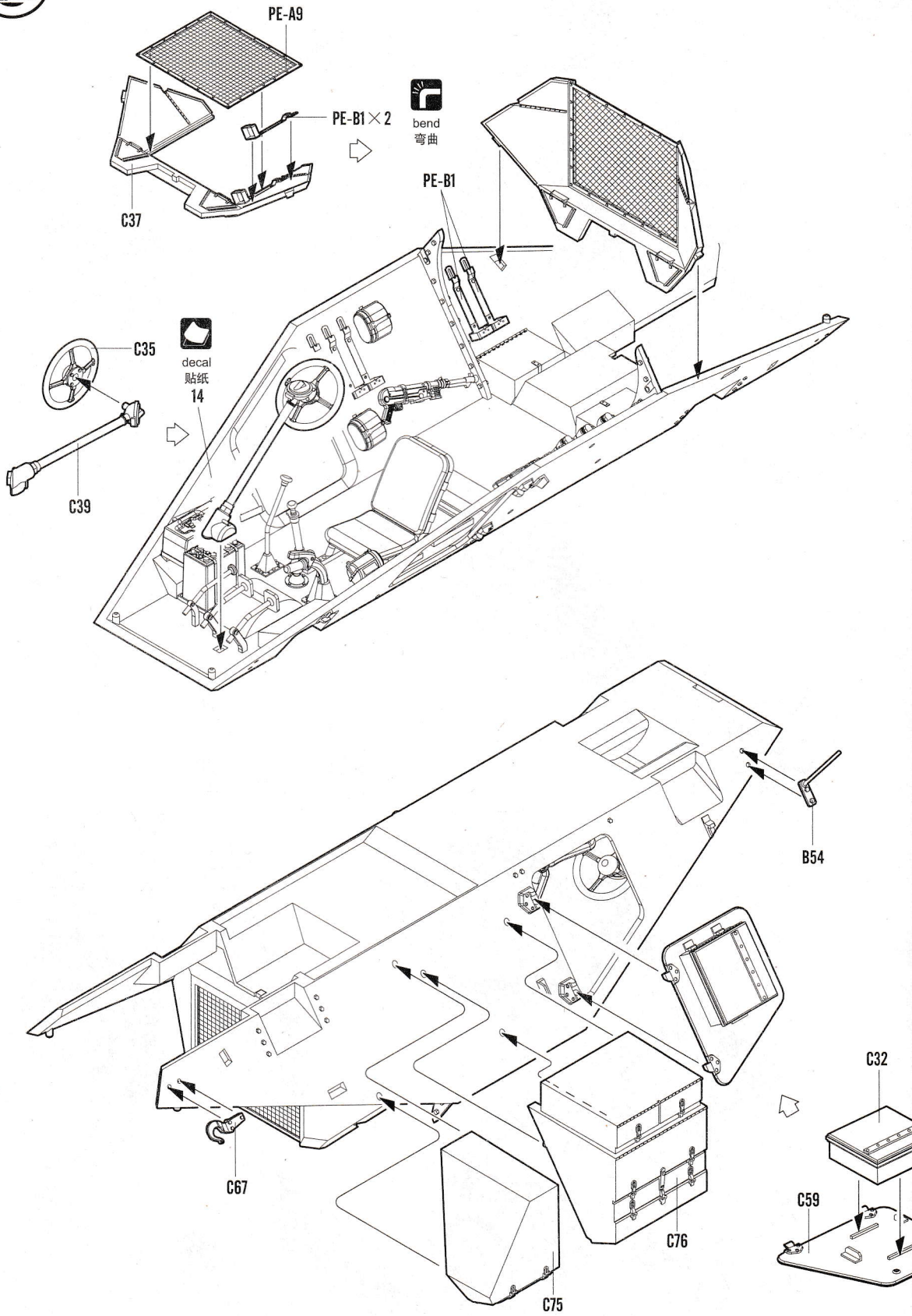
H 47 41 红棕 Red Brown

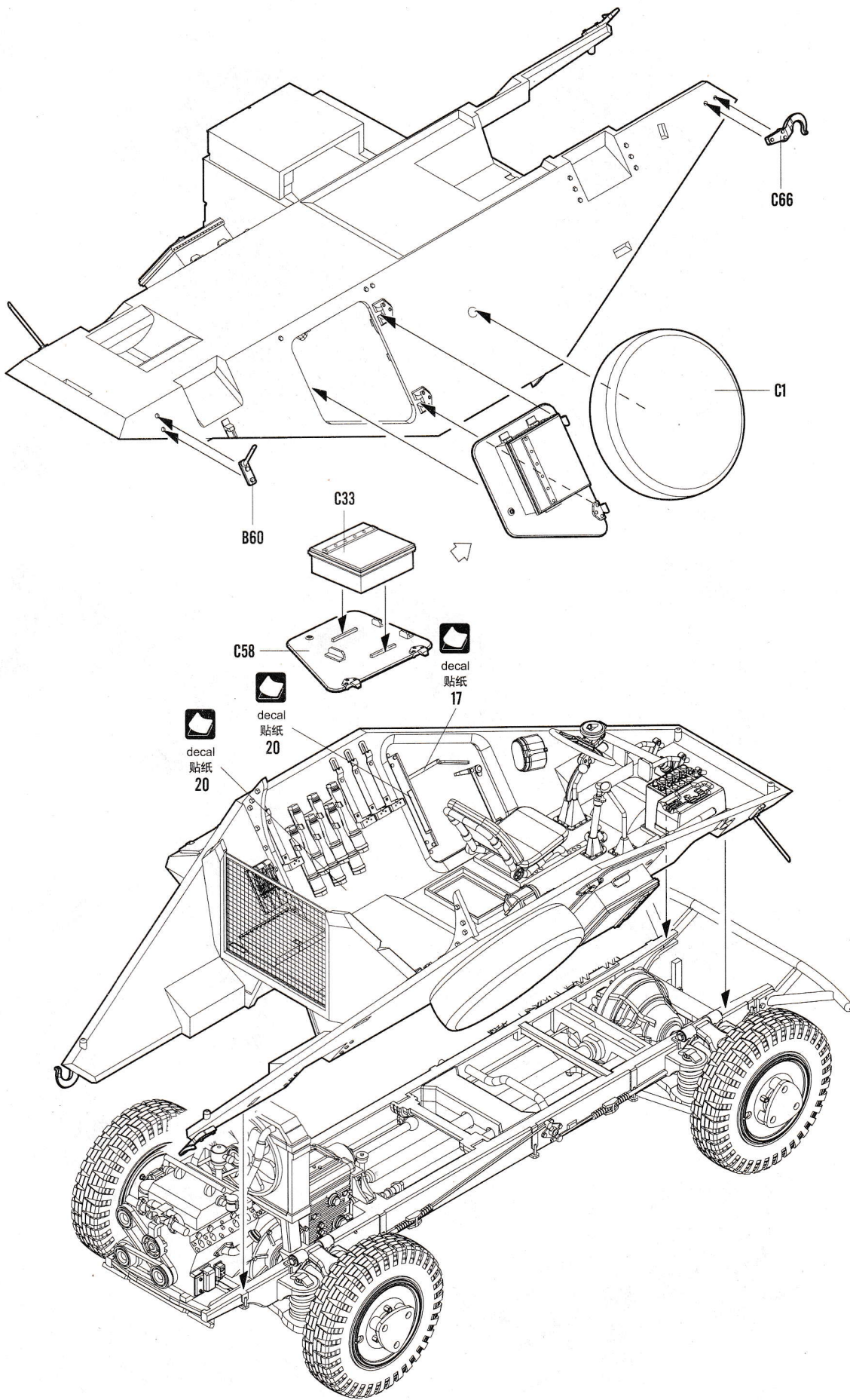
红棕 Red Brown



PE-B1

Bend 弯曲

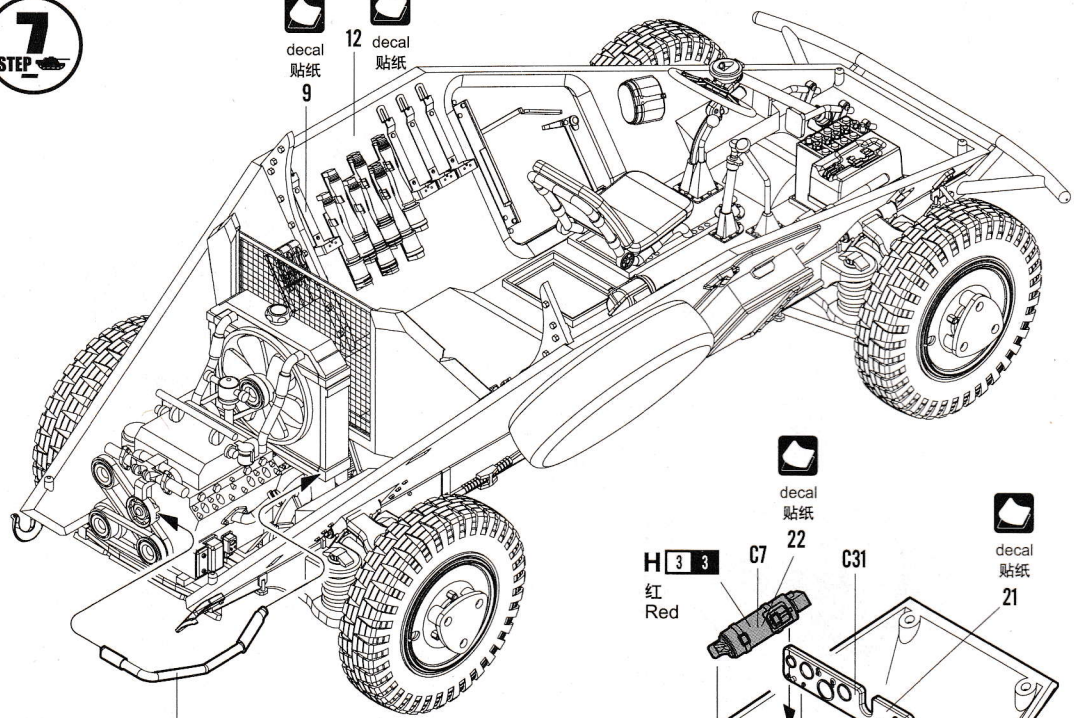




7
STEP

decal
贴纸
9

12
decal
贴纸



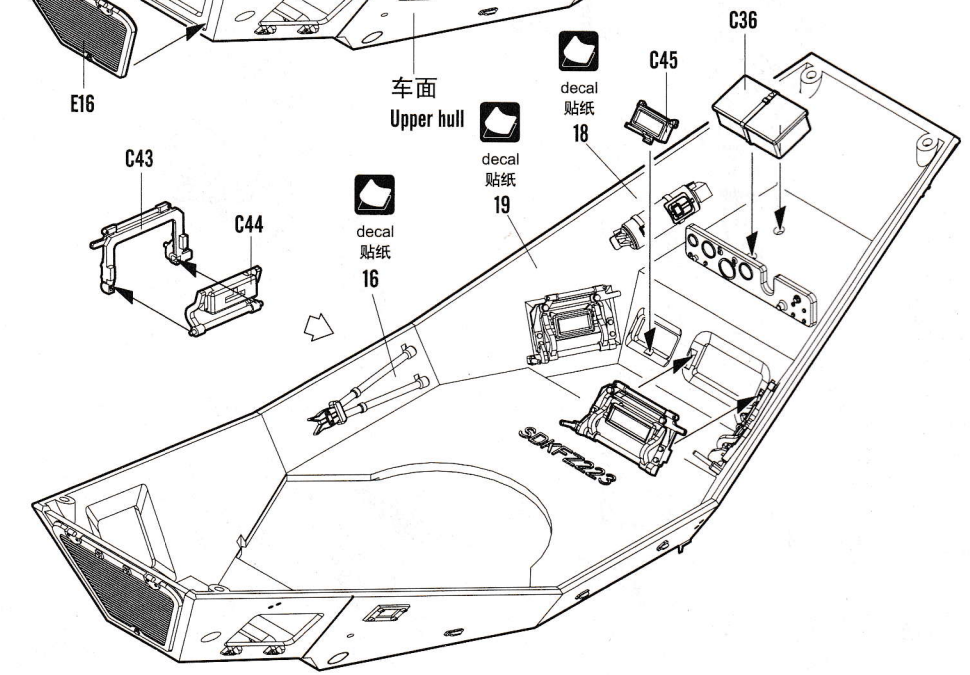
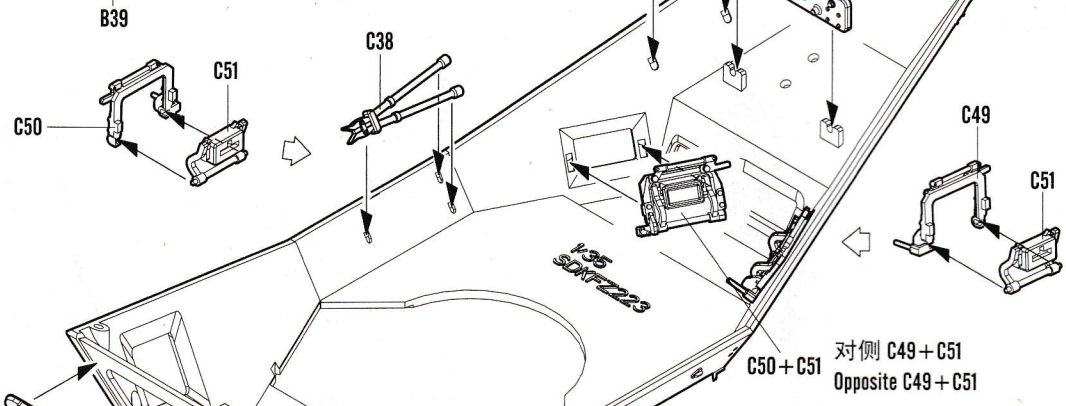
decal
贴纸
22

H 3 3
红
Red

C7

C31

decal
贴纸
21



车面
Upper hull

decal
贴纸
16

decal
贴纸
19

decal
贴纸
18

C45

C36

E16

C43

C44

SDVZ223

C50 + C51
对侧 C49 + C51
Opposite C49 + C51

G



PE-D2

C47

E11

A5

C27

C62

C46

A5

H 84 42
桃木色
Mahogany

C42

H 8 8
银
Silver

B29

C48

H 8 8
银
Silver

C26

C52

C28

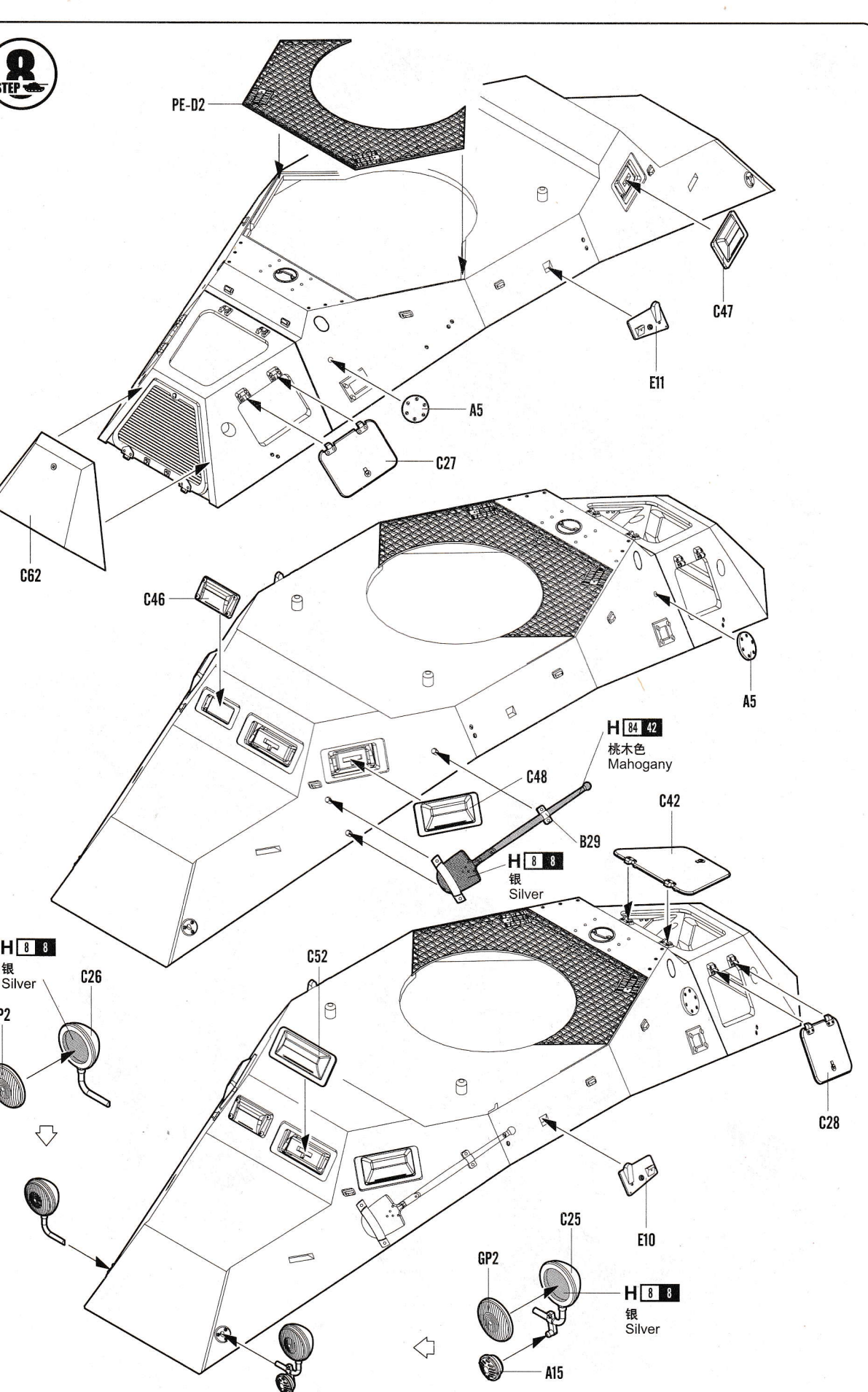
E10

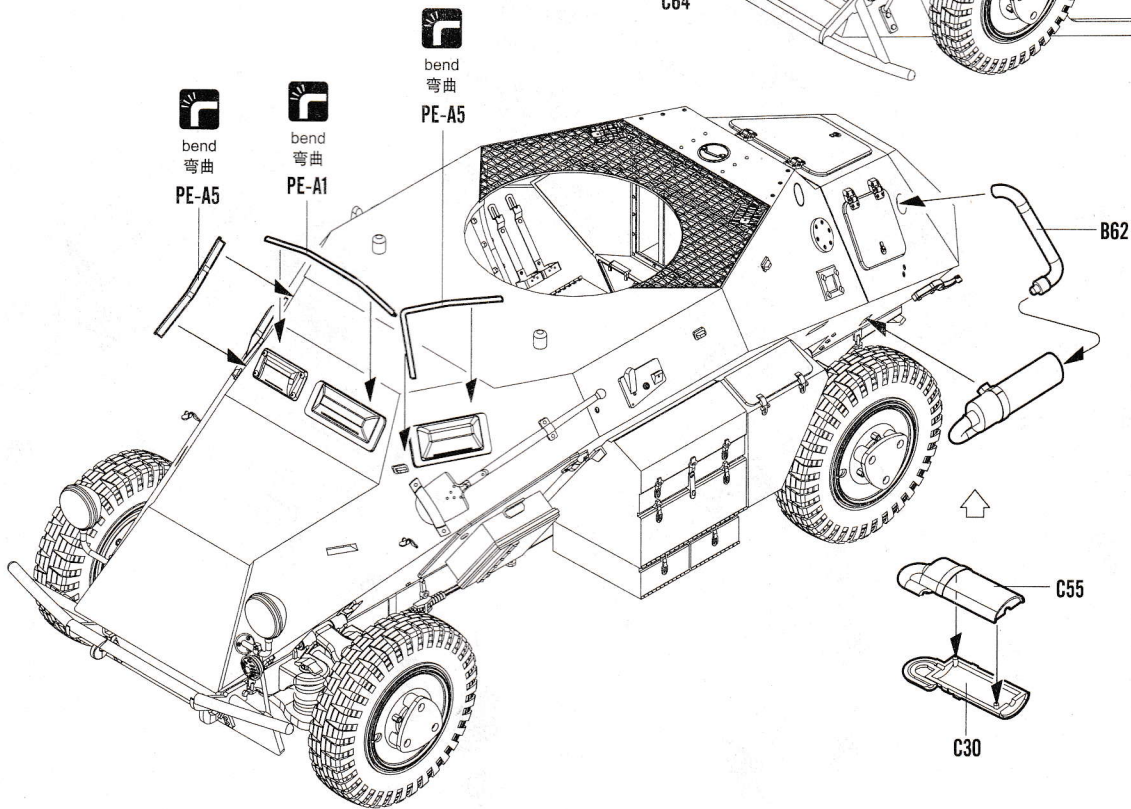
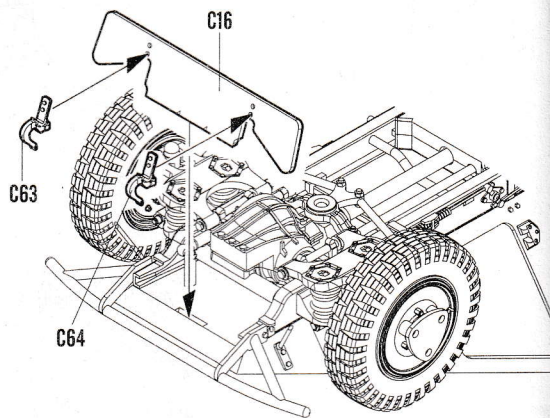
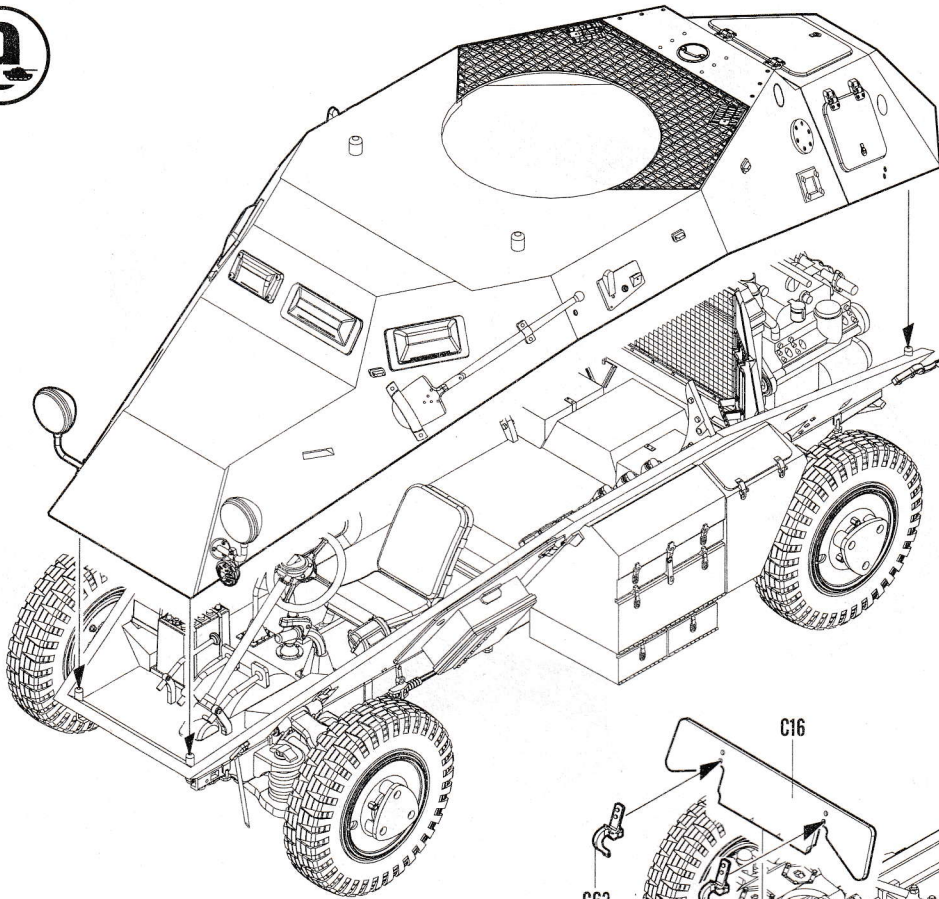
C25

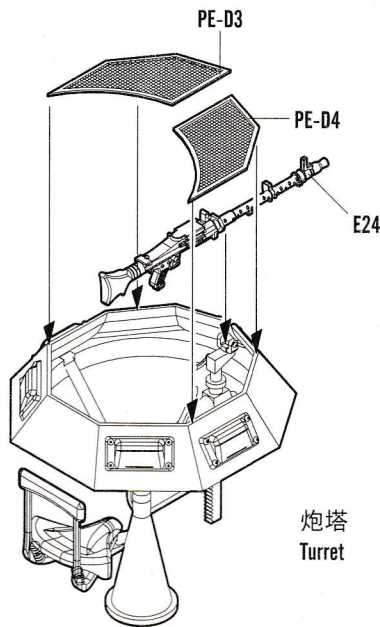
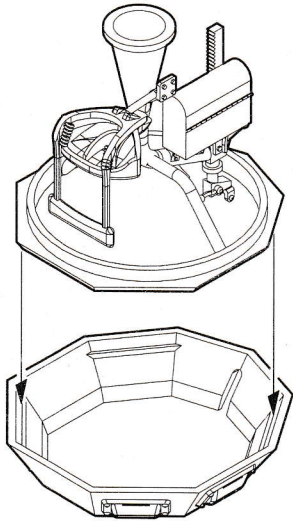
GP2

H 8 8
银
Silver

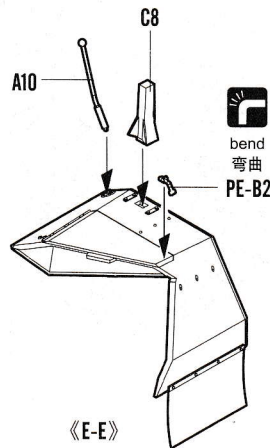
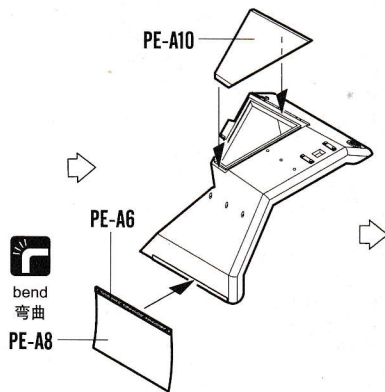
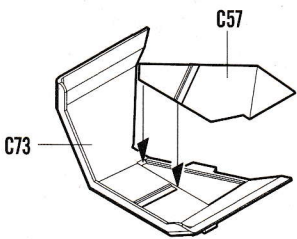
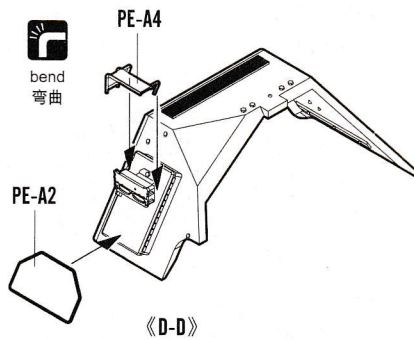
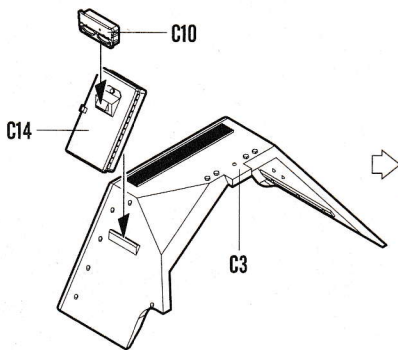
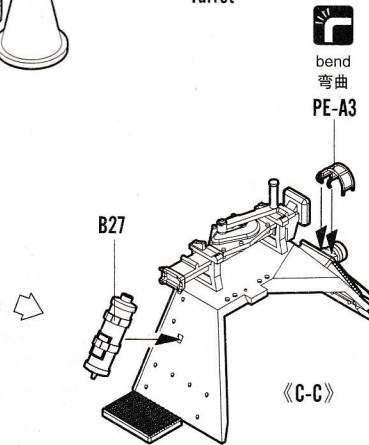
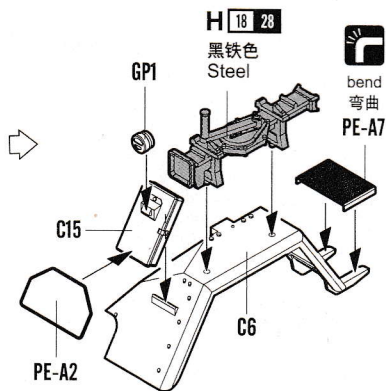
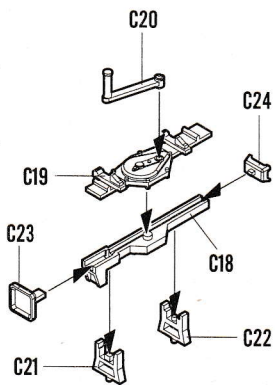
A15

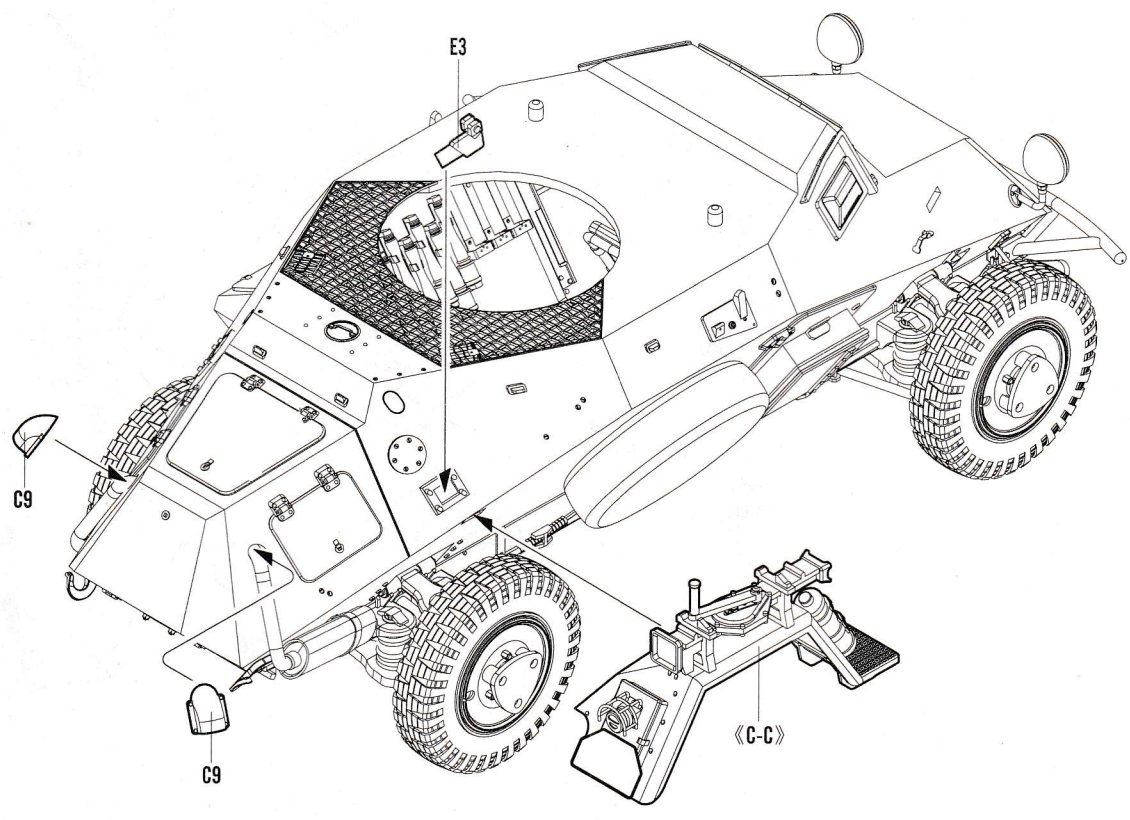
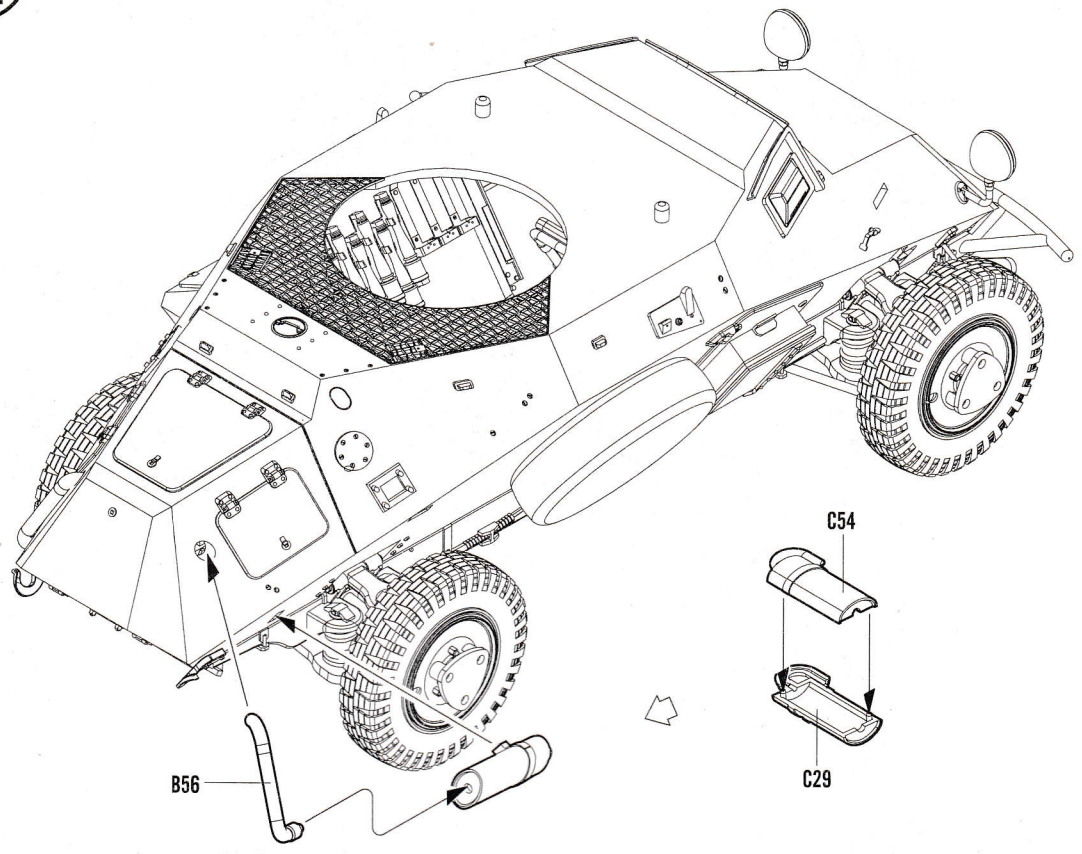




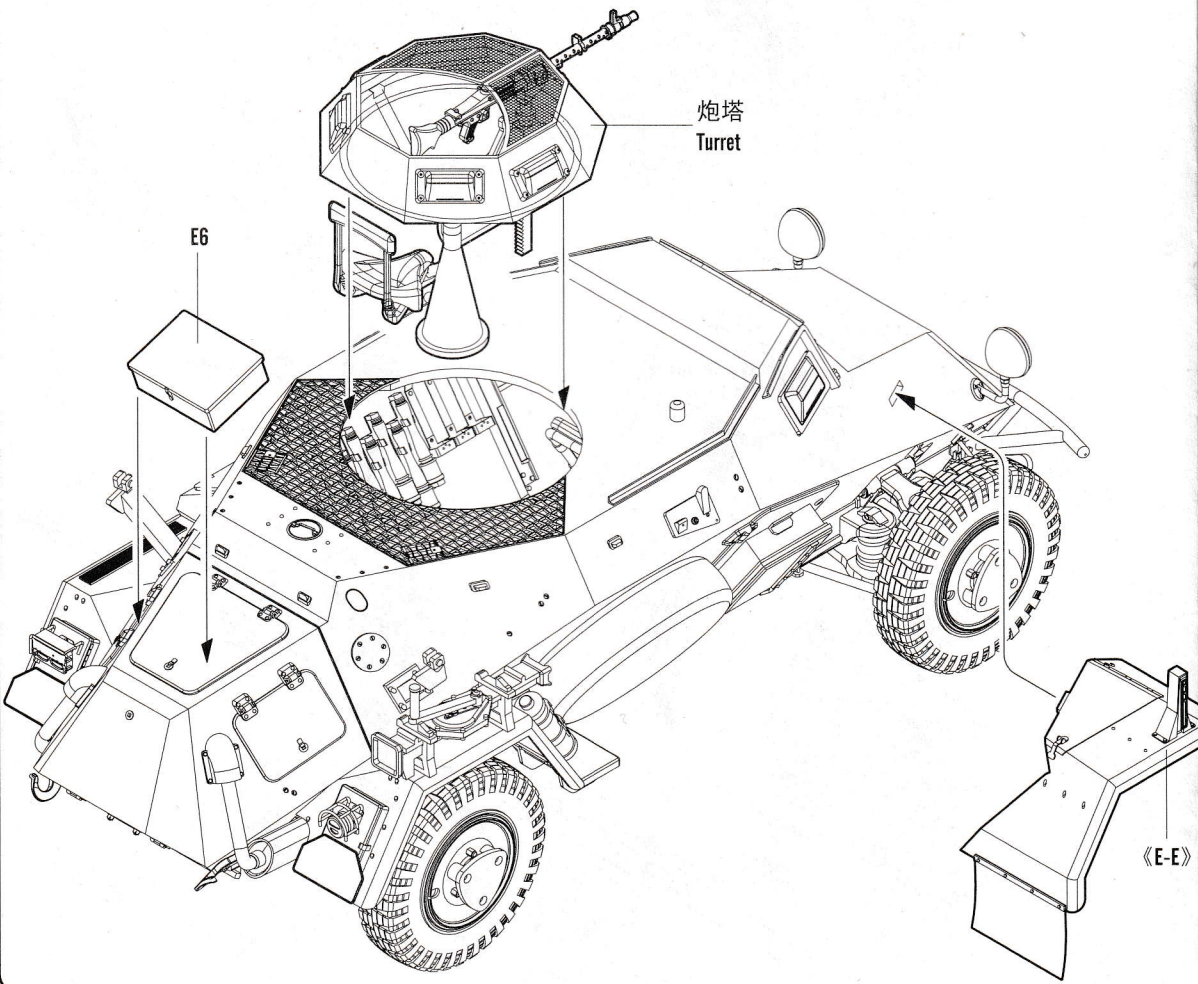
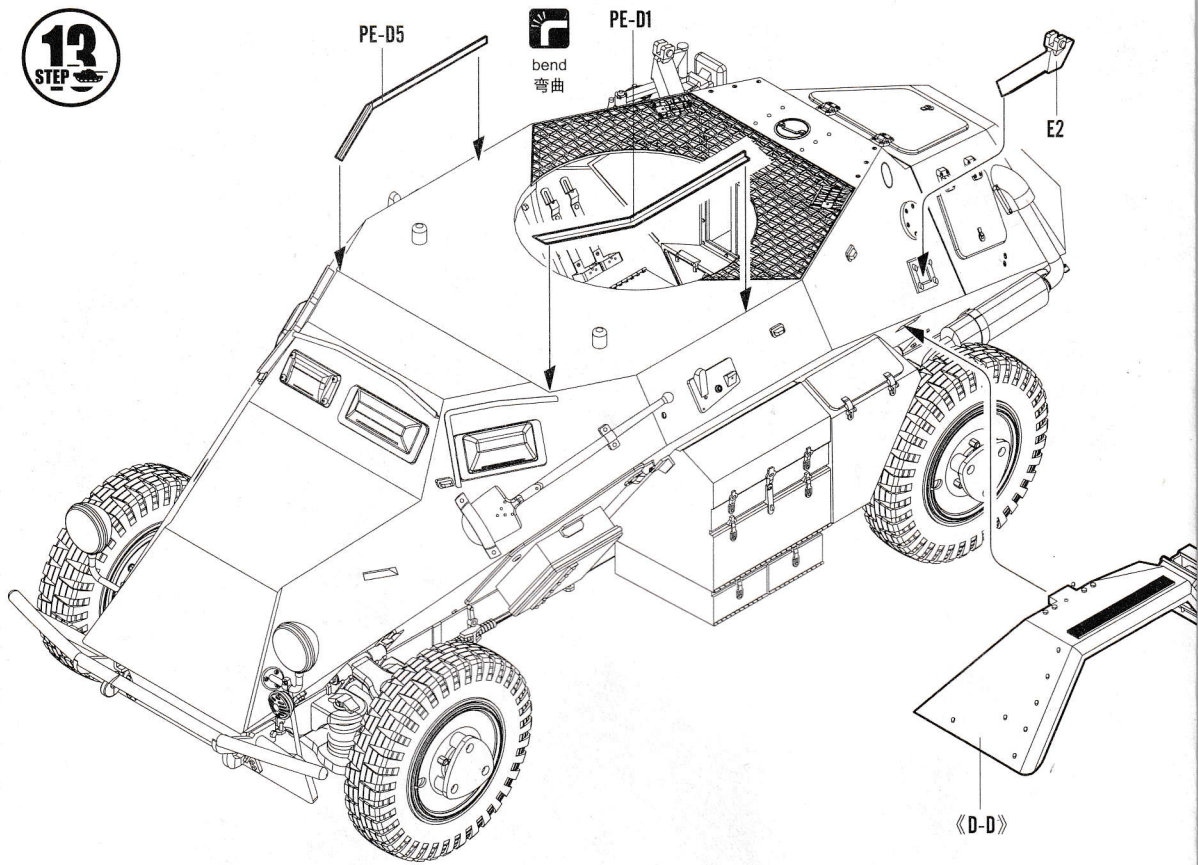


炮塔
Turret





13
STEP



82443

11
STEP

