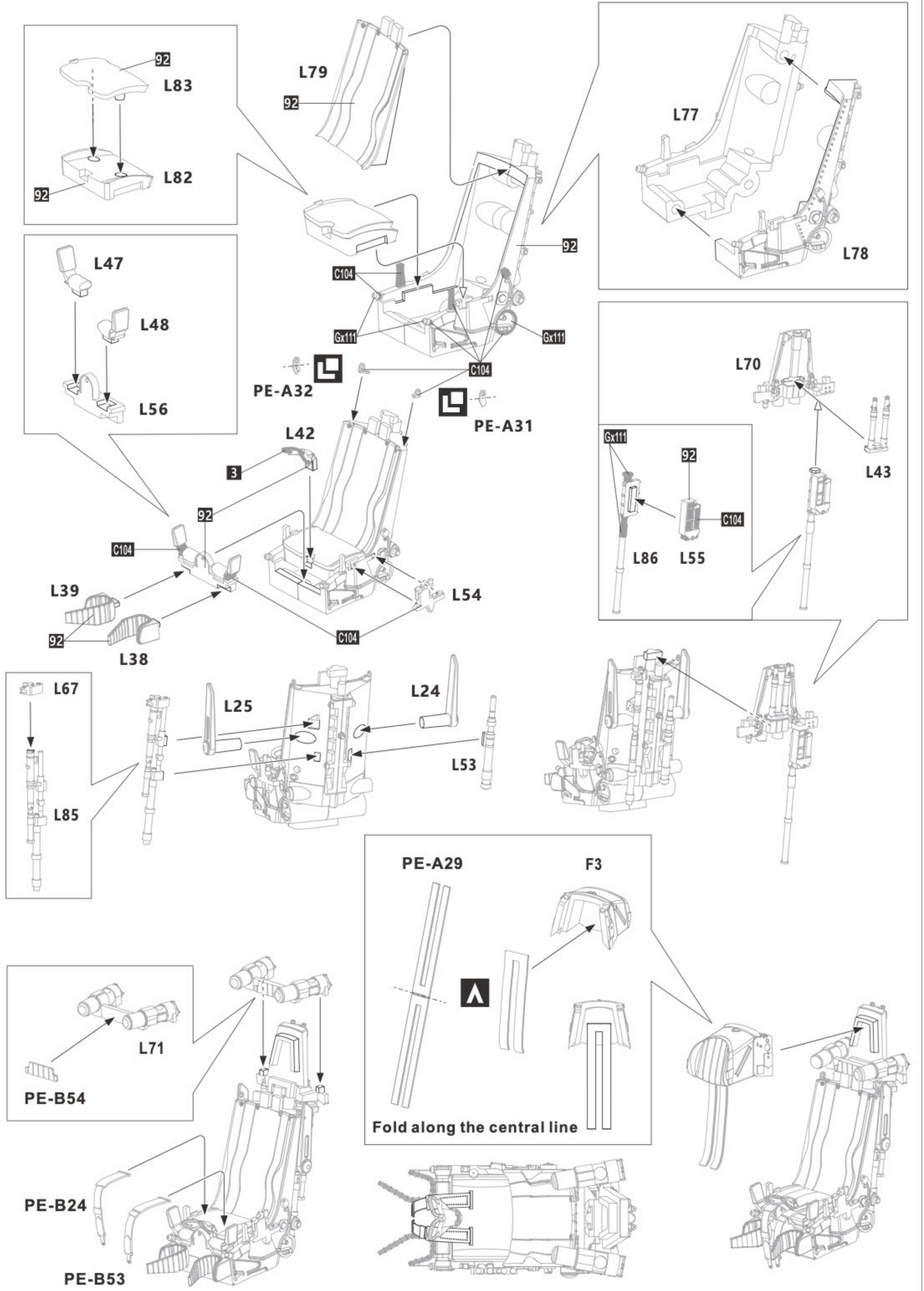
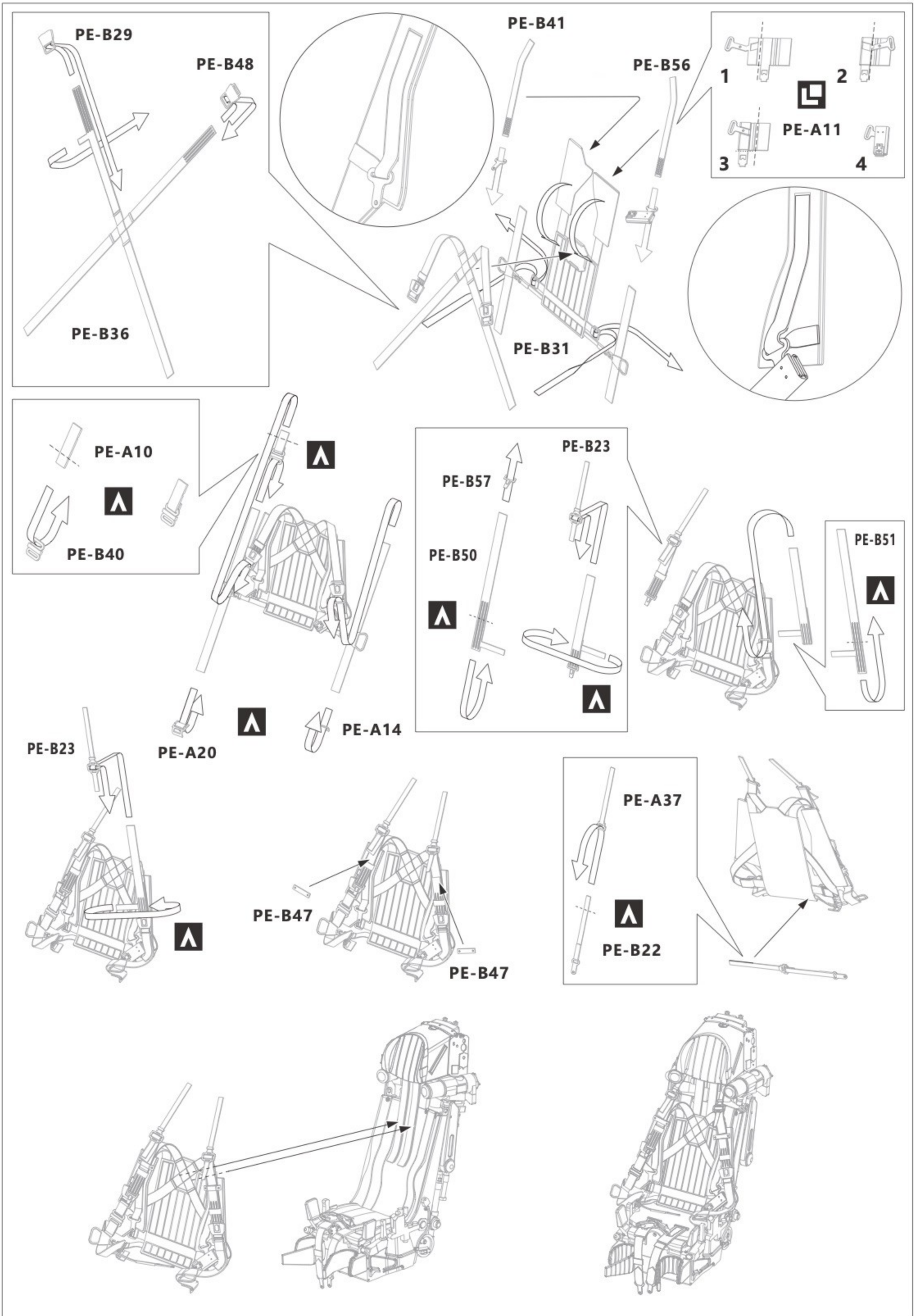
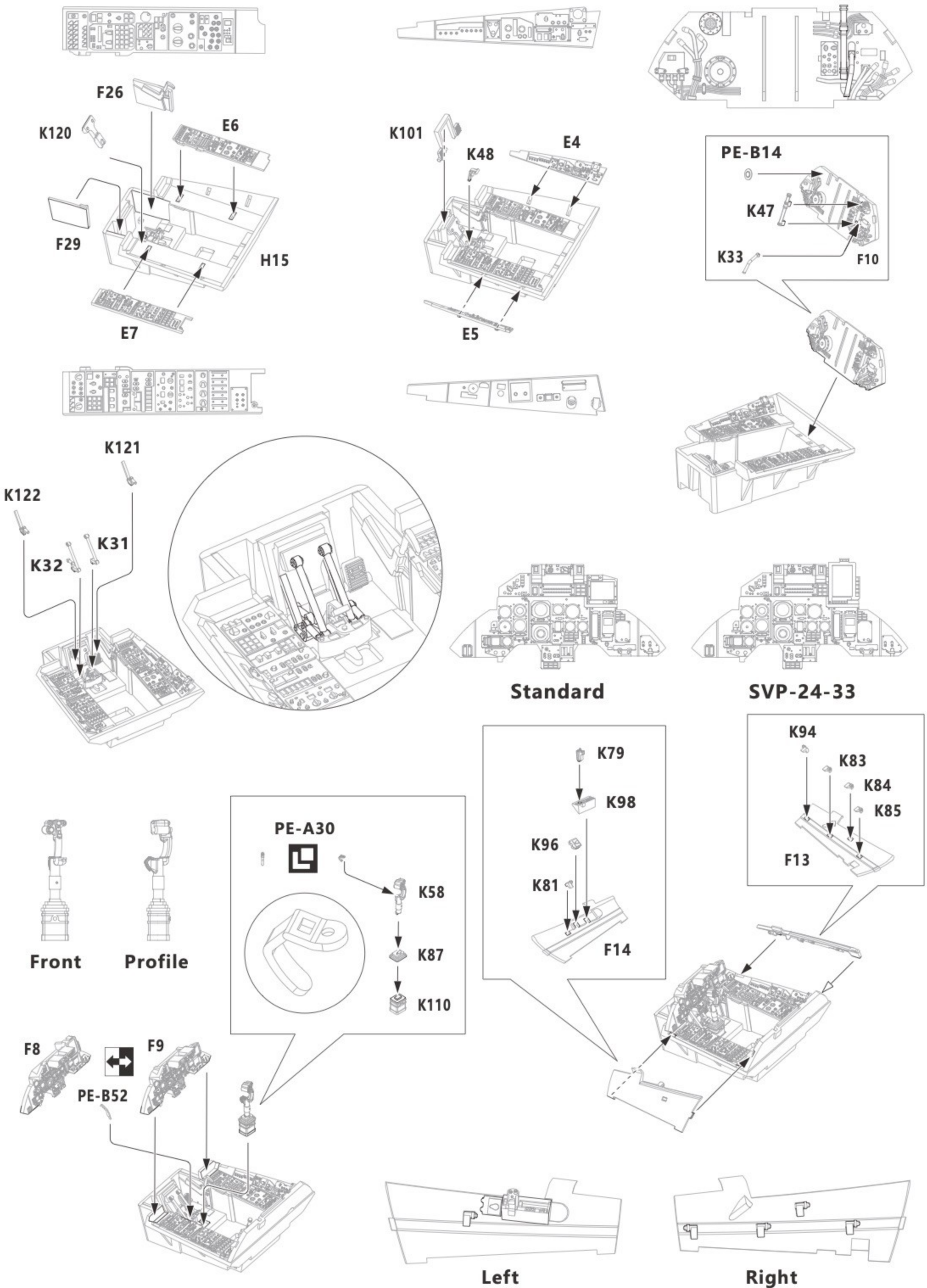


# 1 Ejection Seat

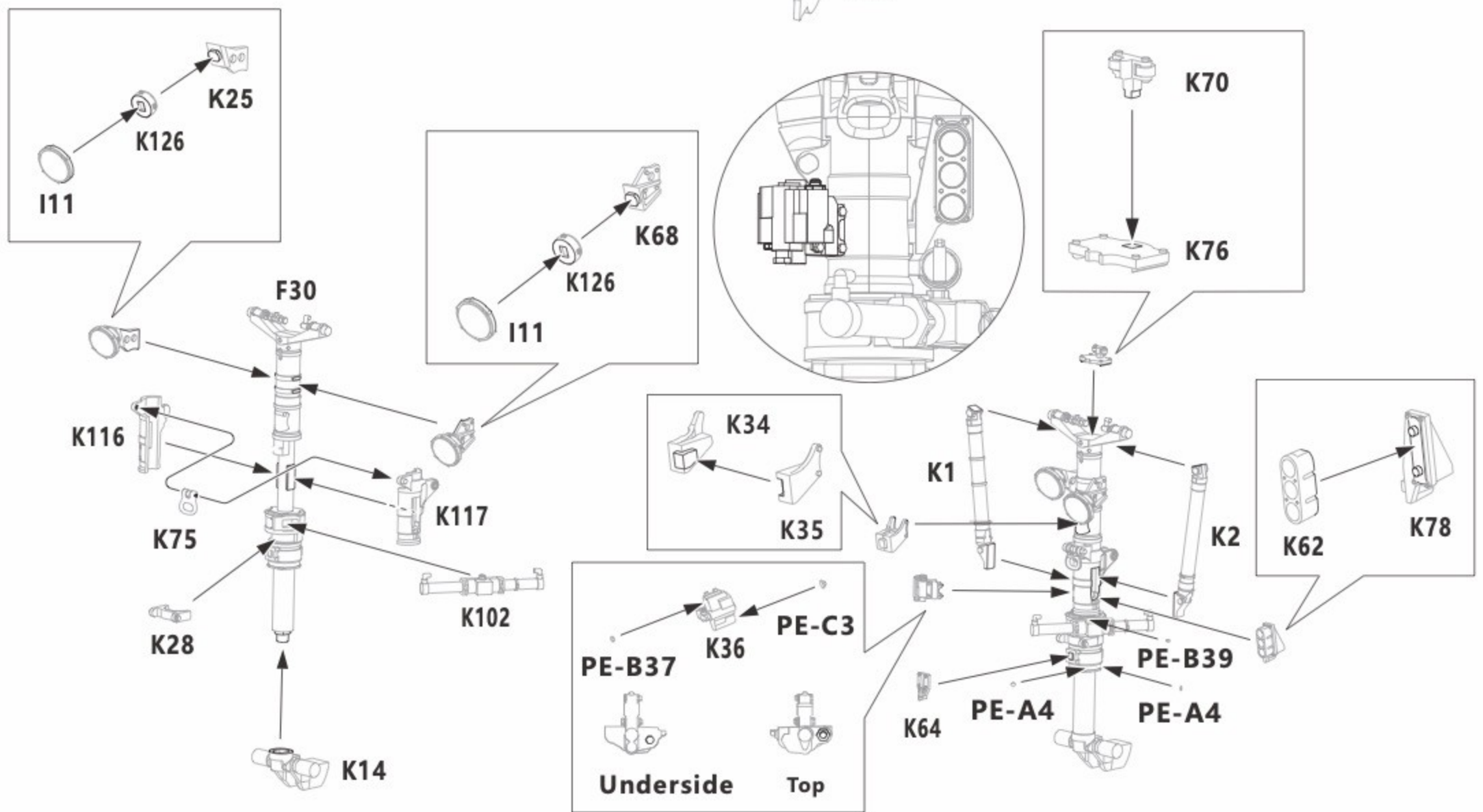
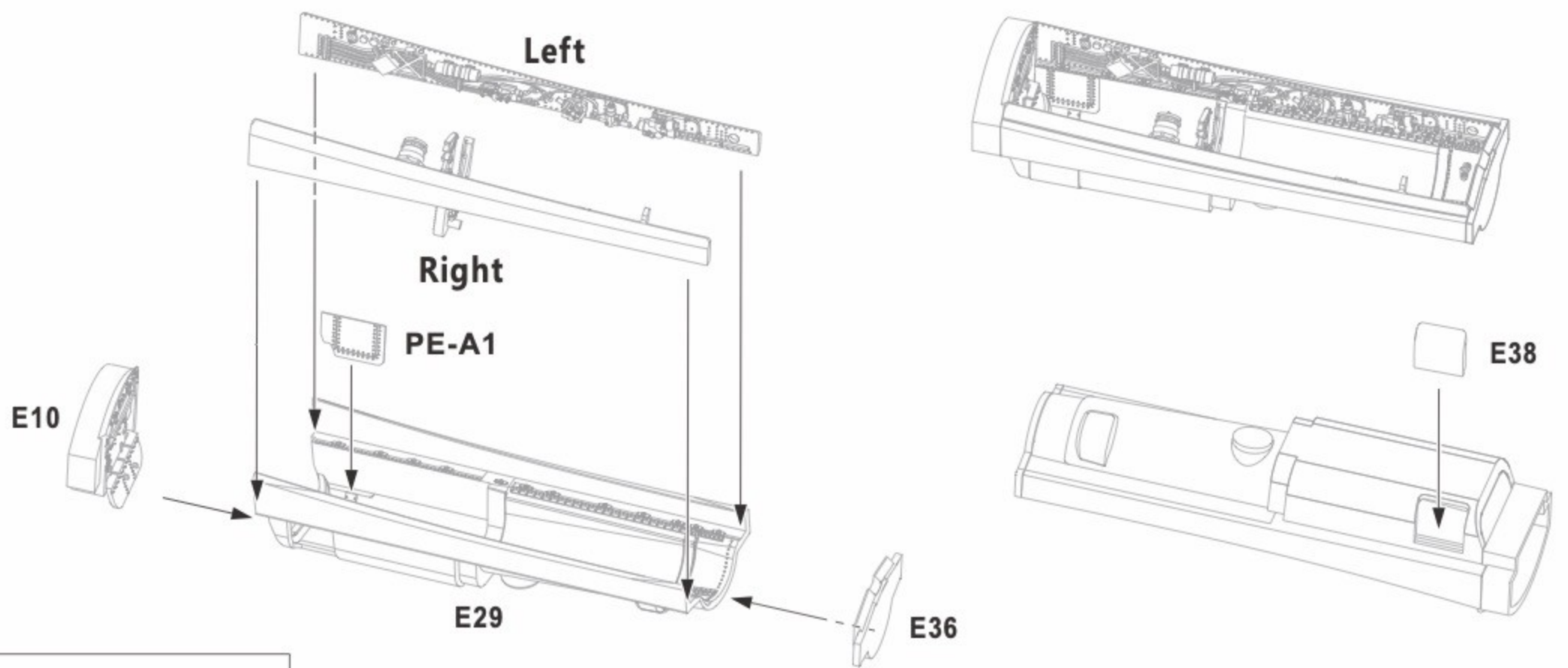
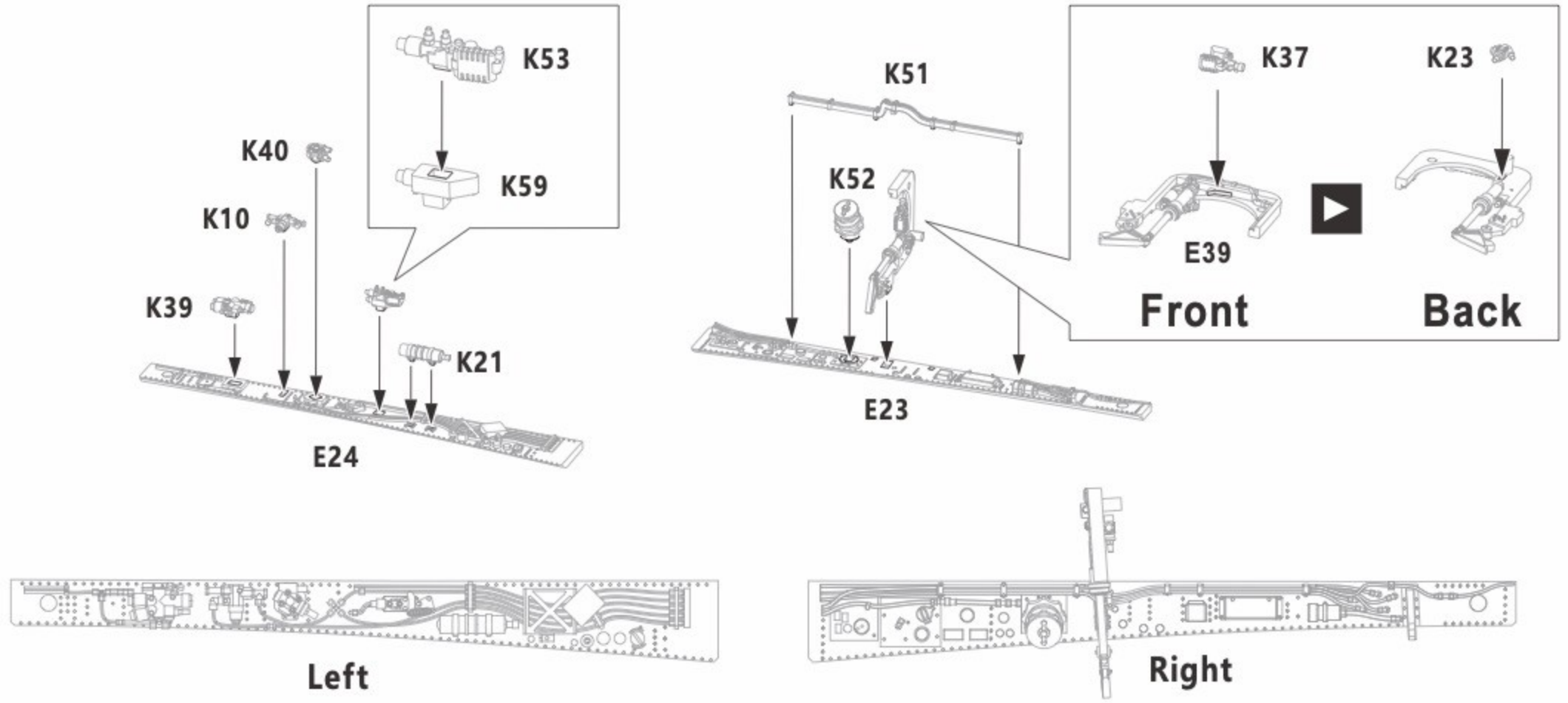


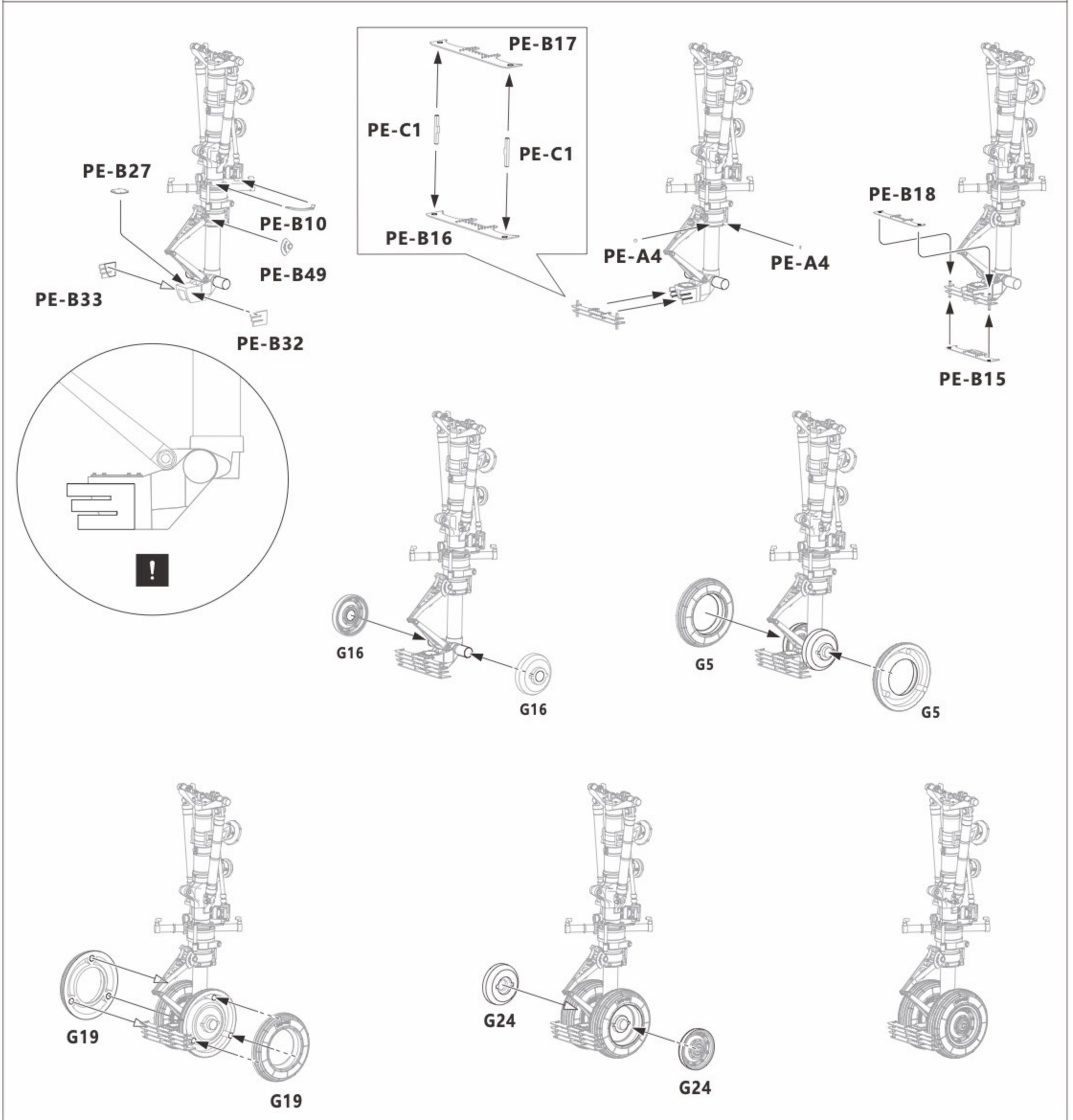
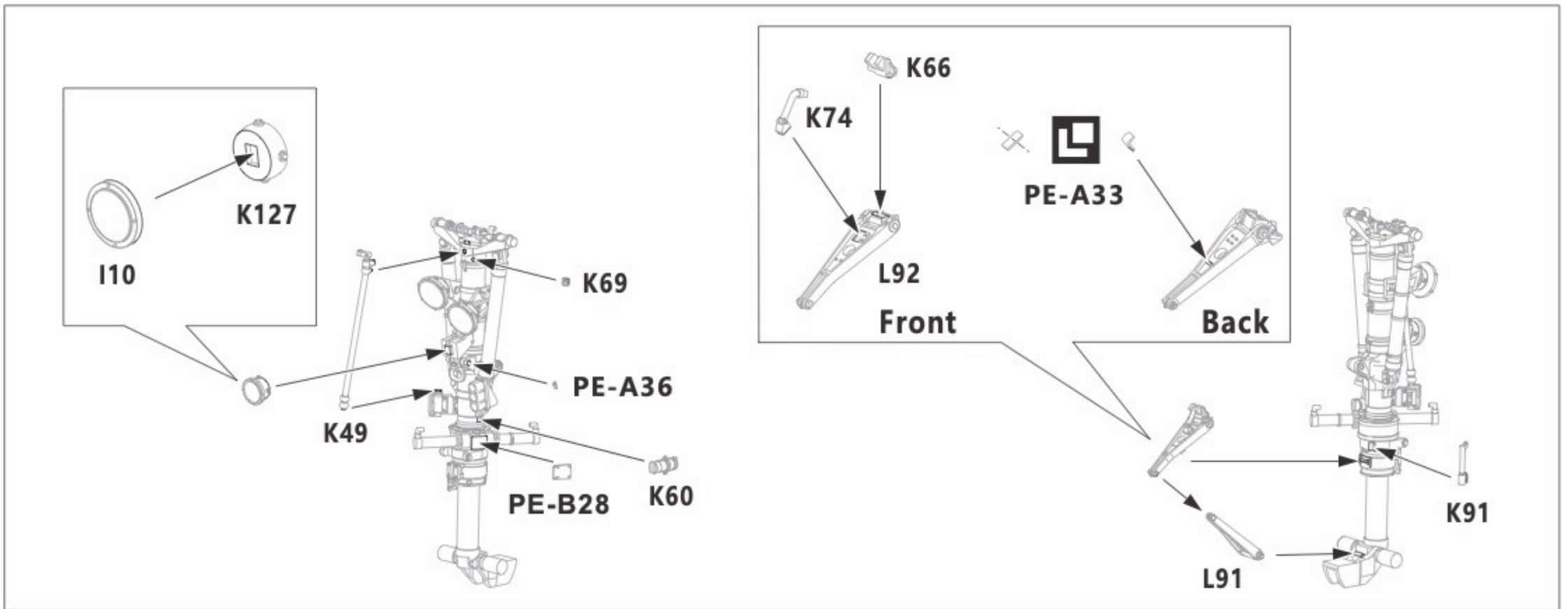


# Cockpit

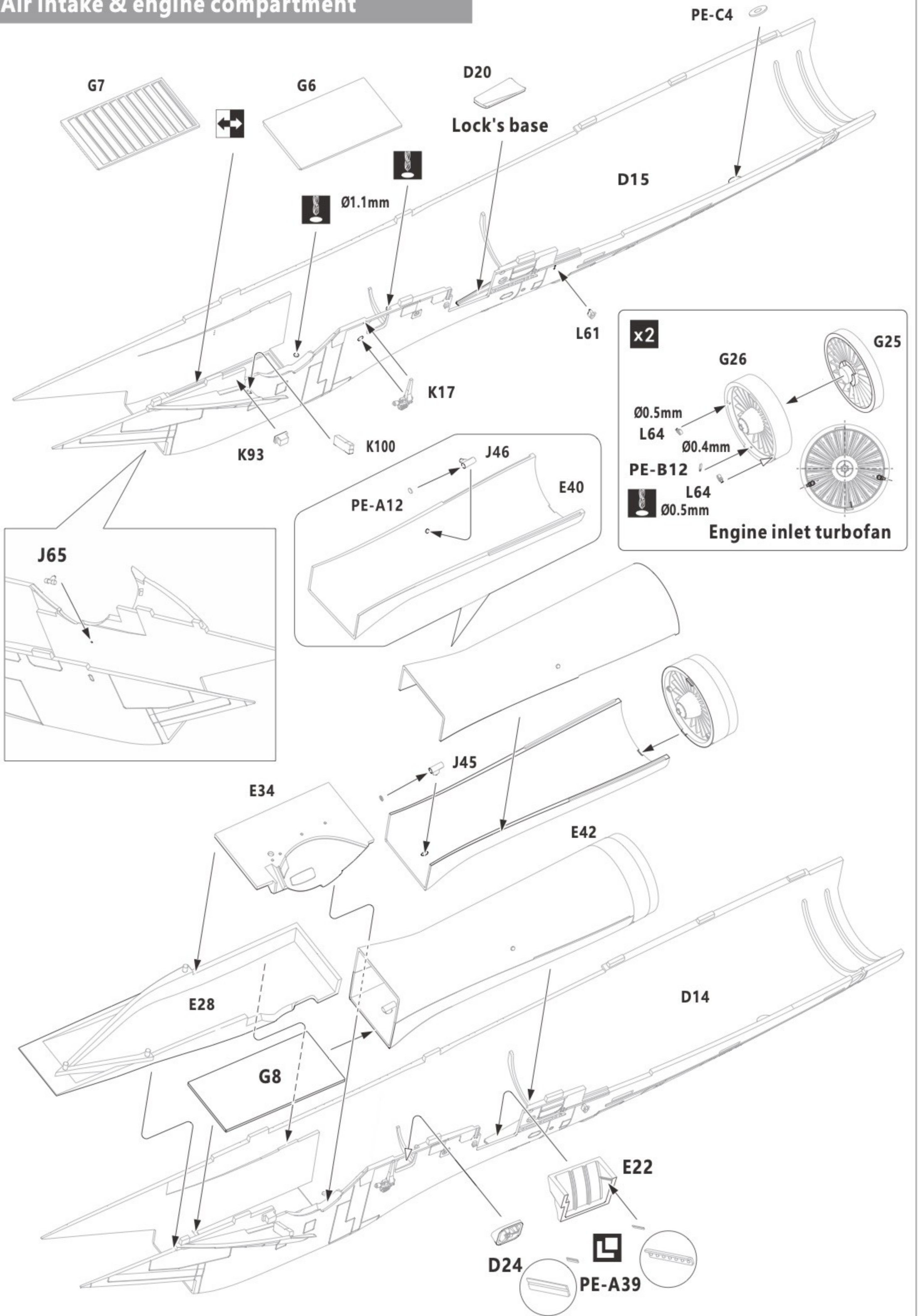


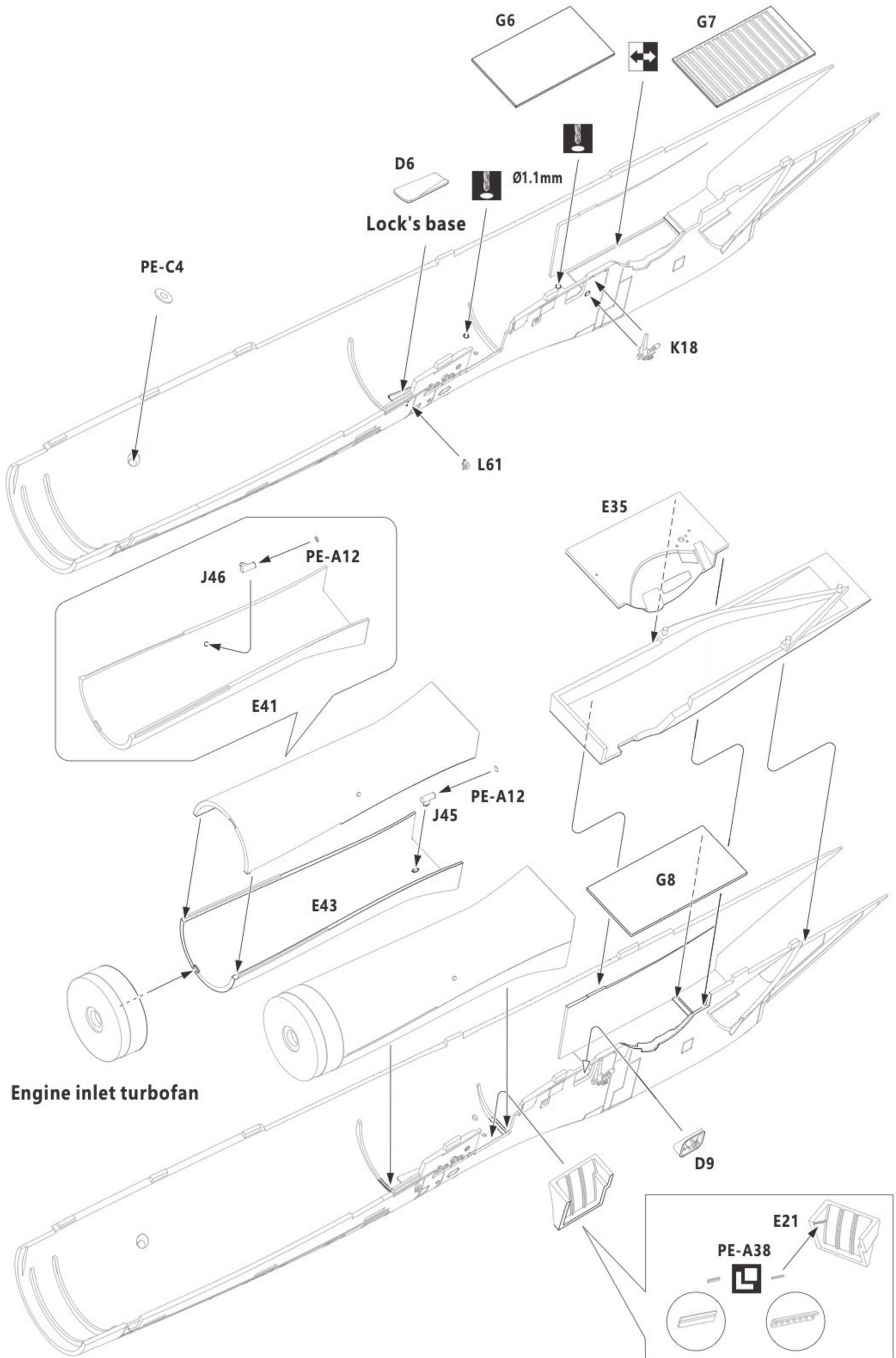
# Front landing gear & wheels bay



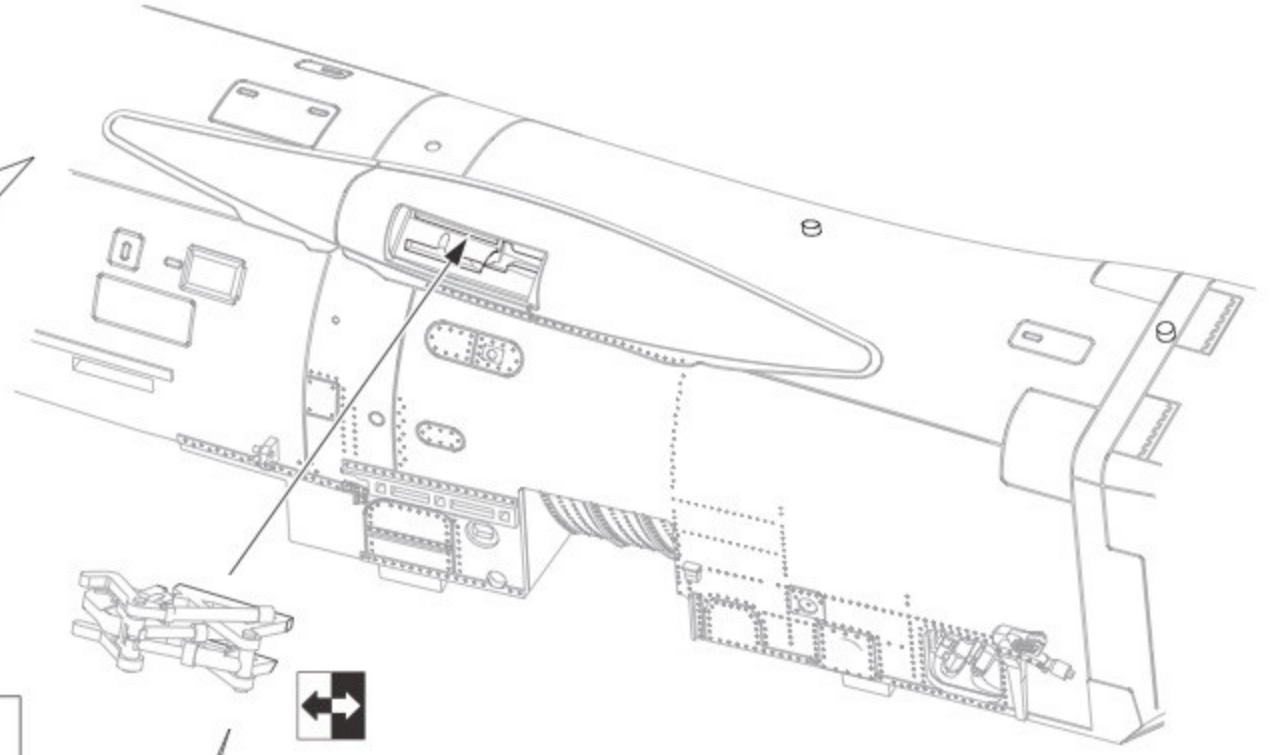
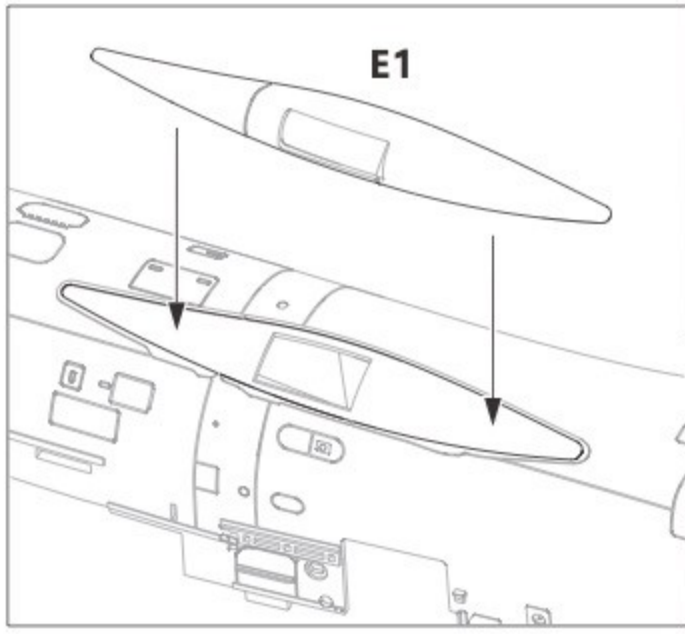


# Air intake & engine compartment

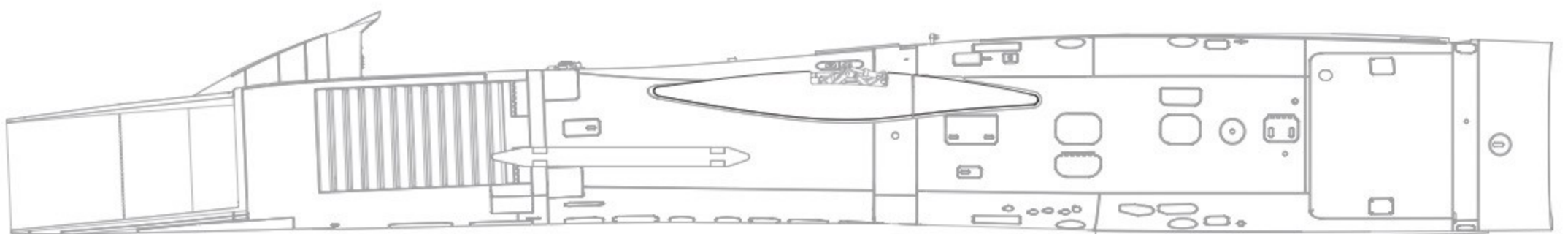
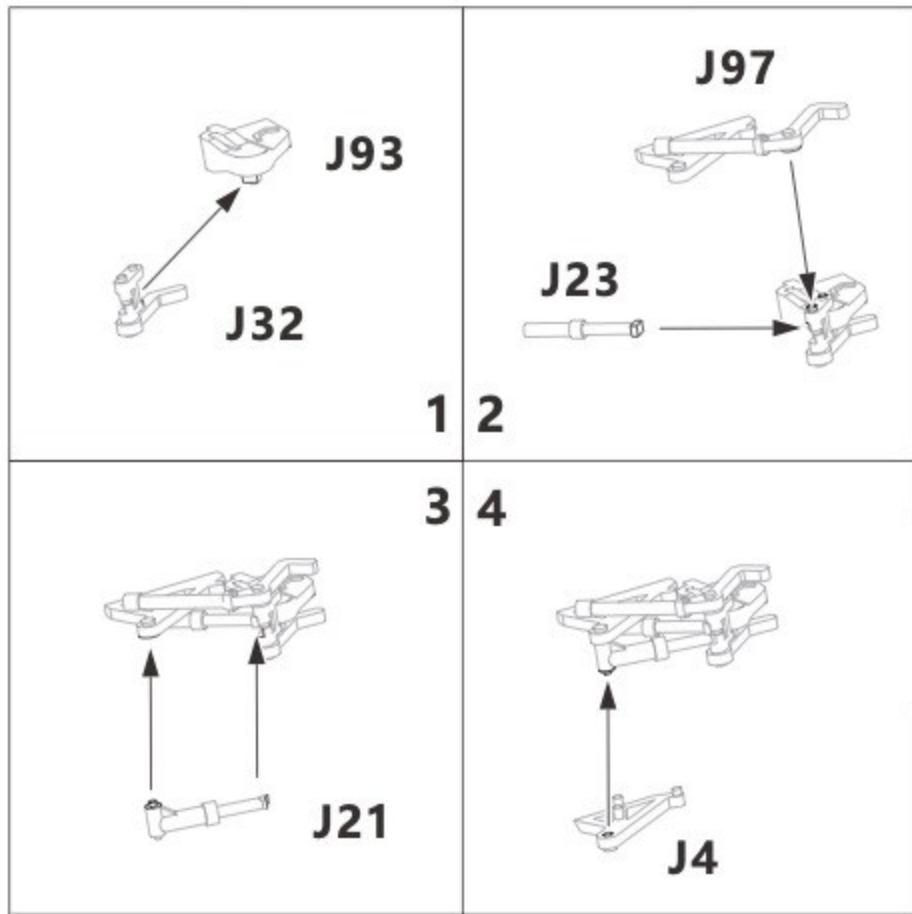




# Main landing gear down position lock



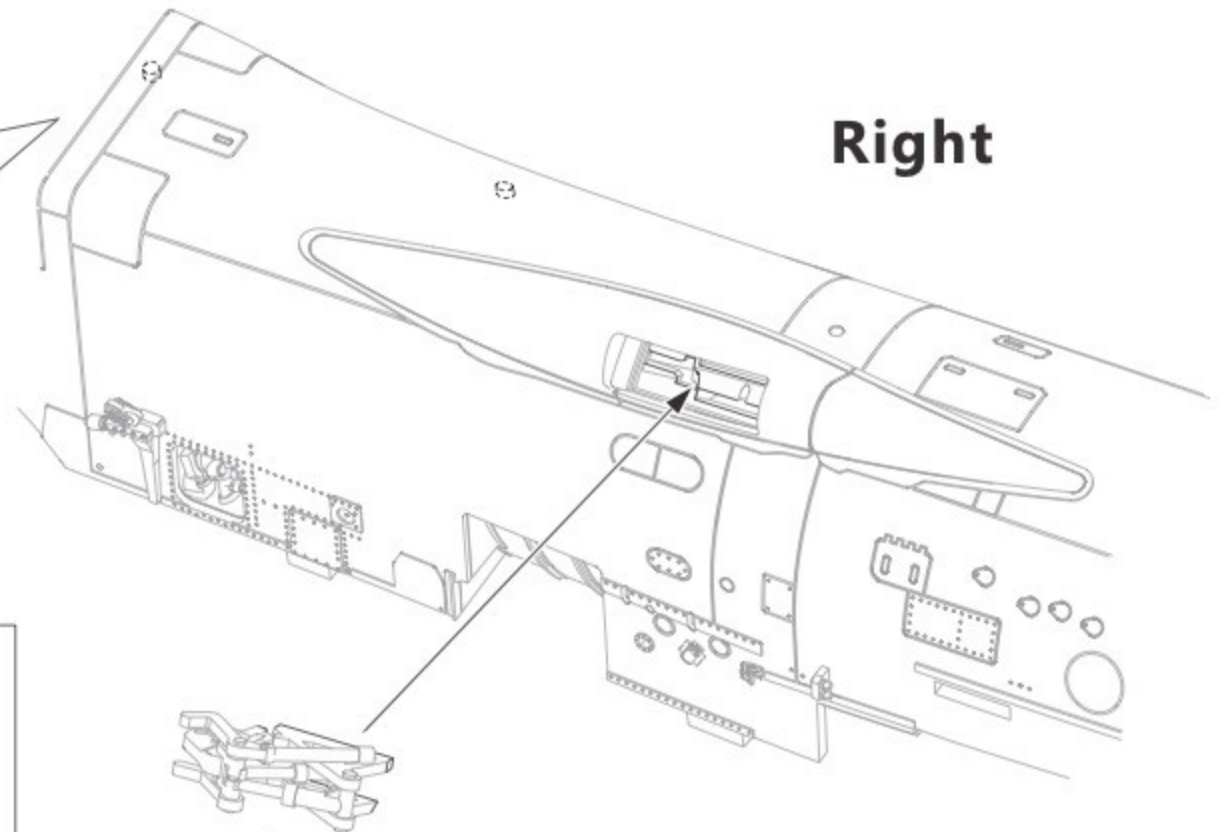
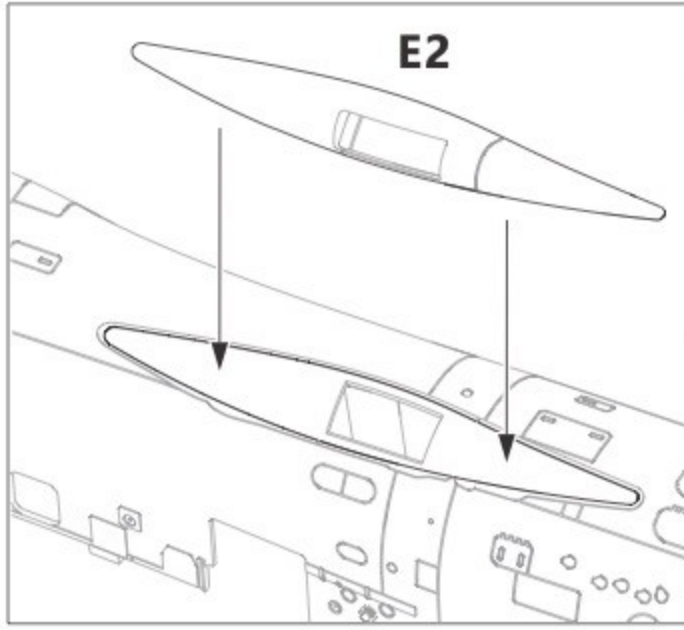
## Standard build



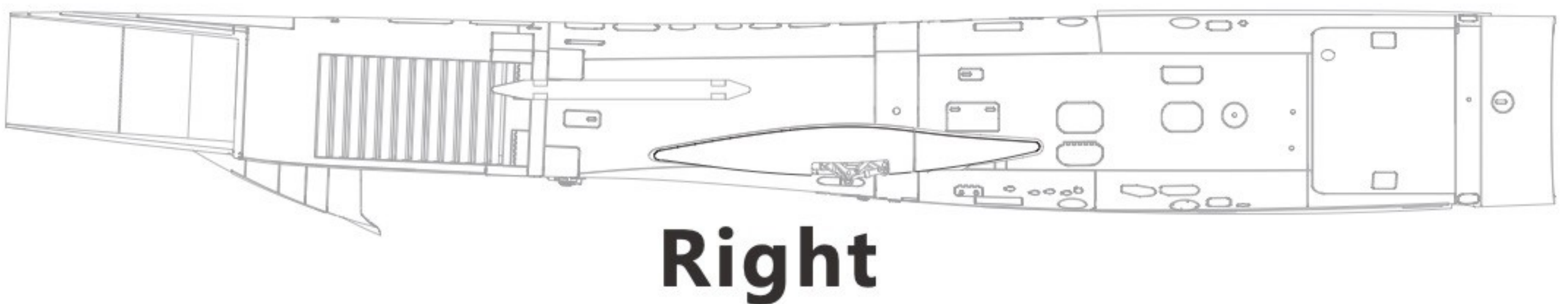
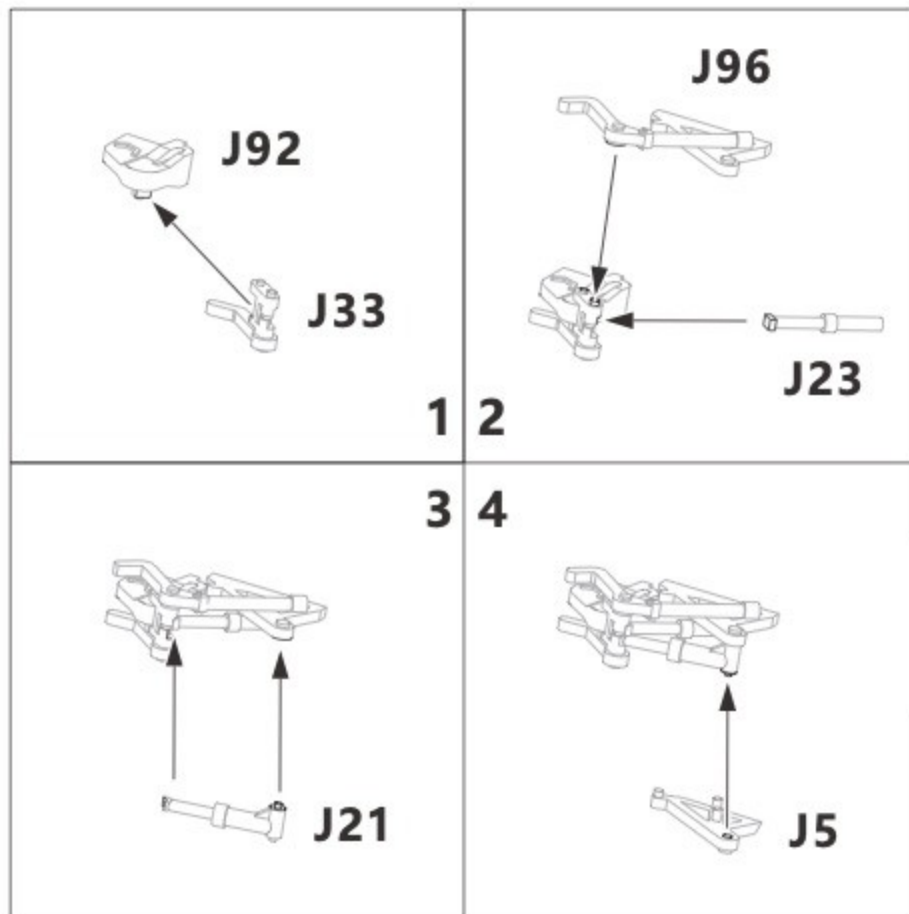
**Left**



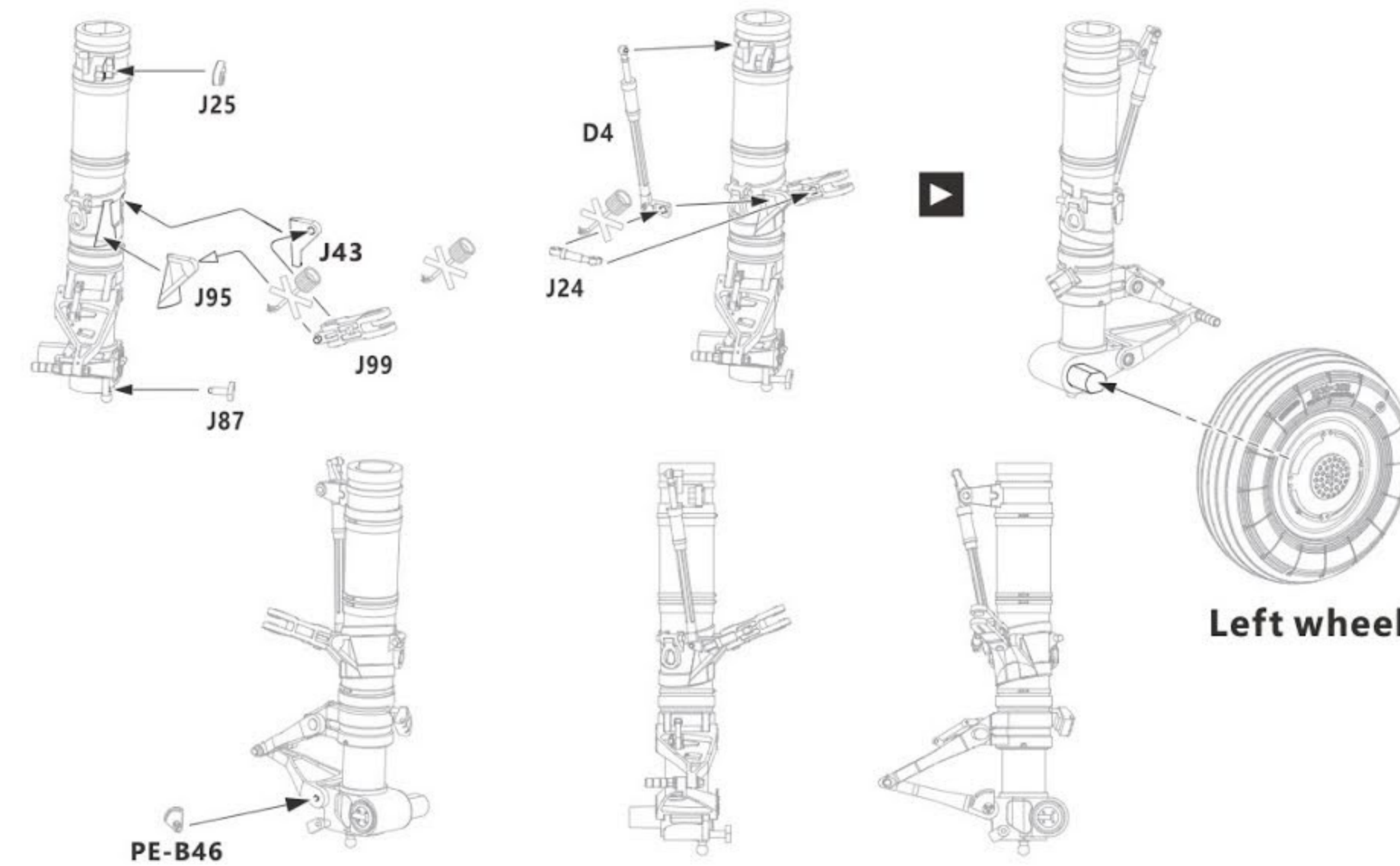
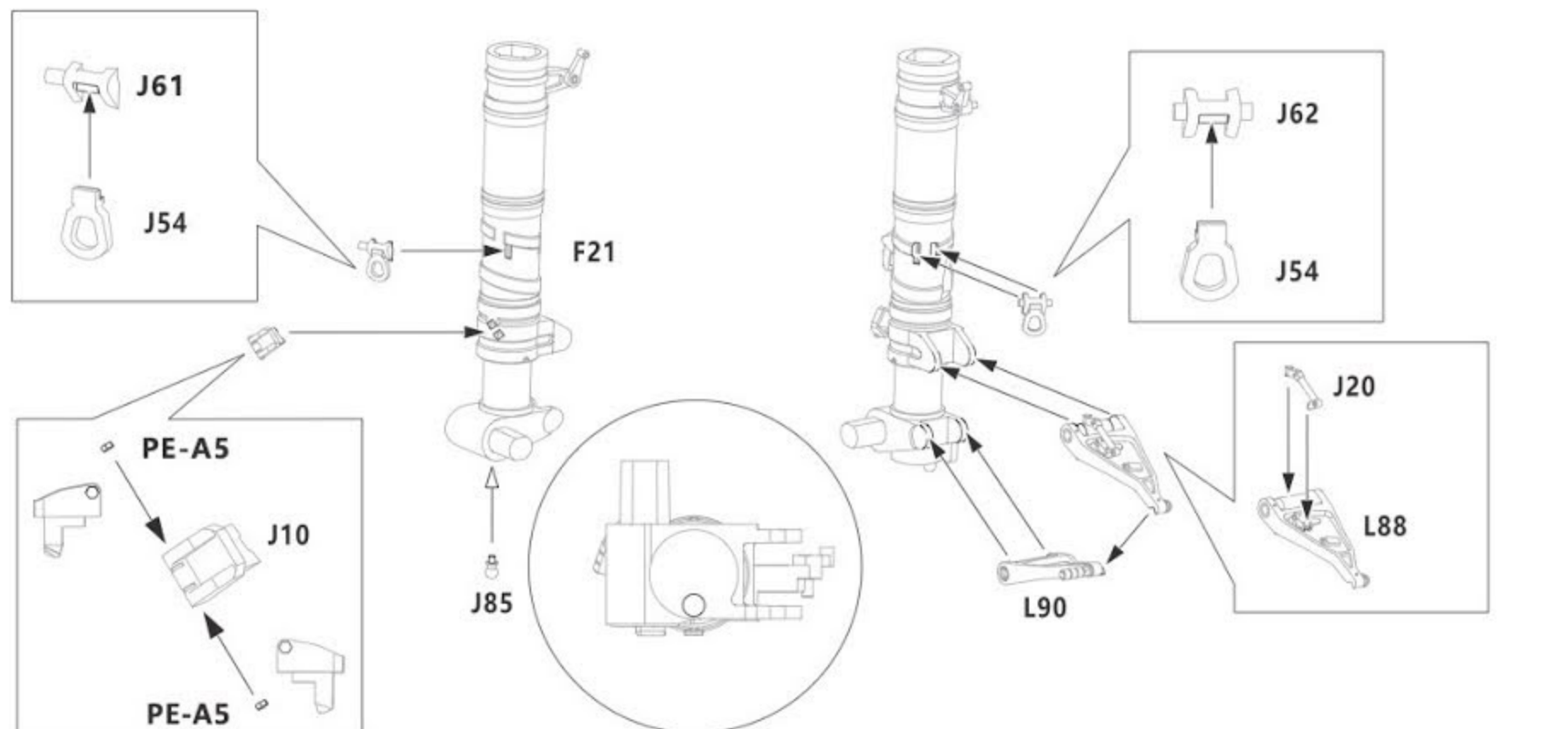
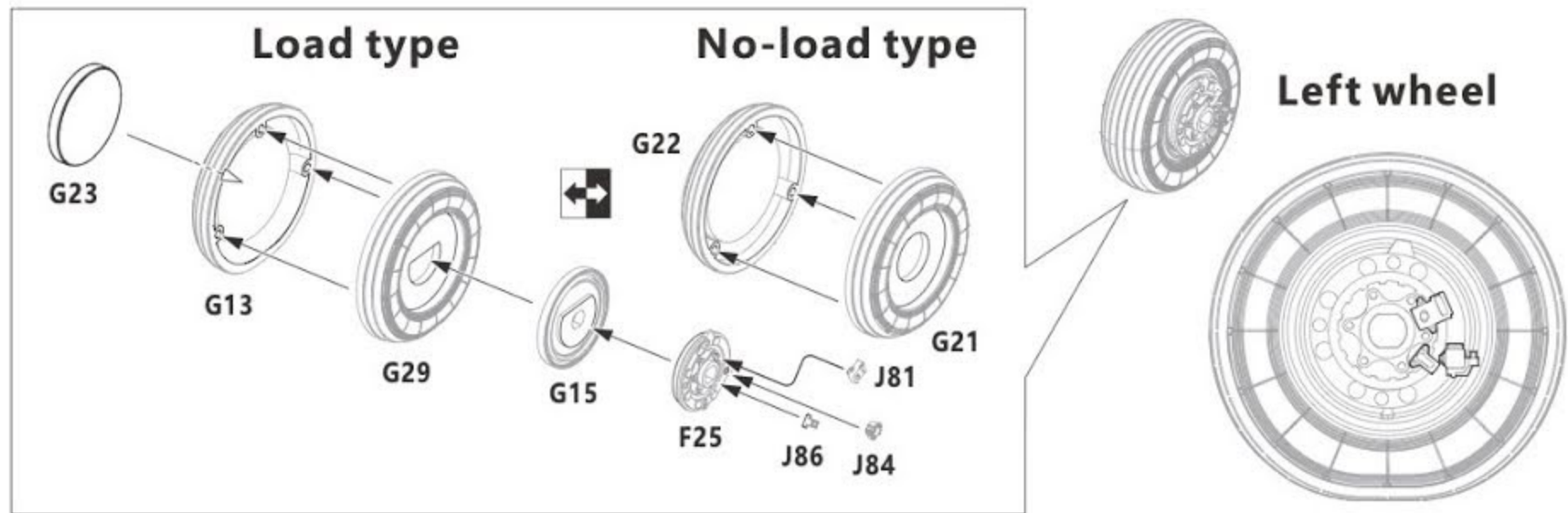
# Main landing gear down position lock



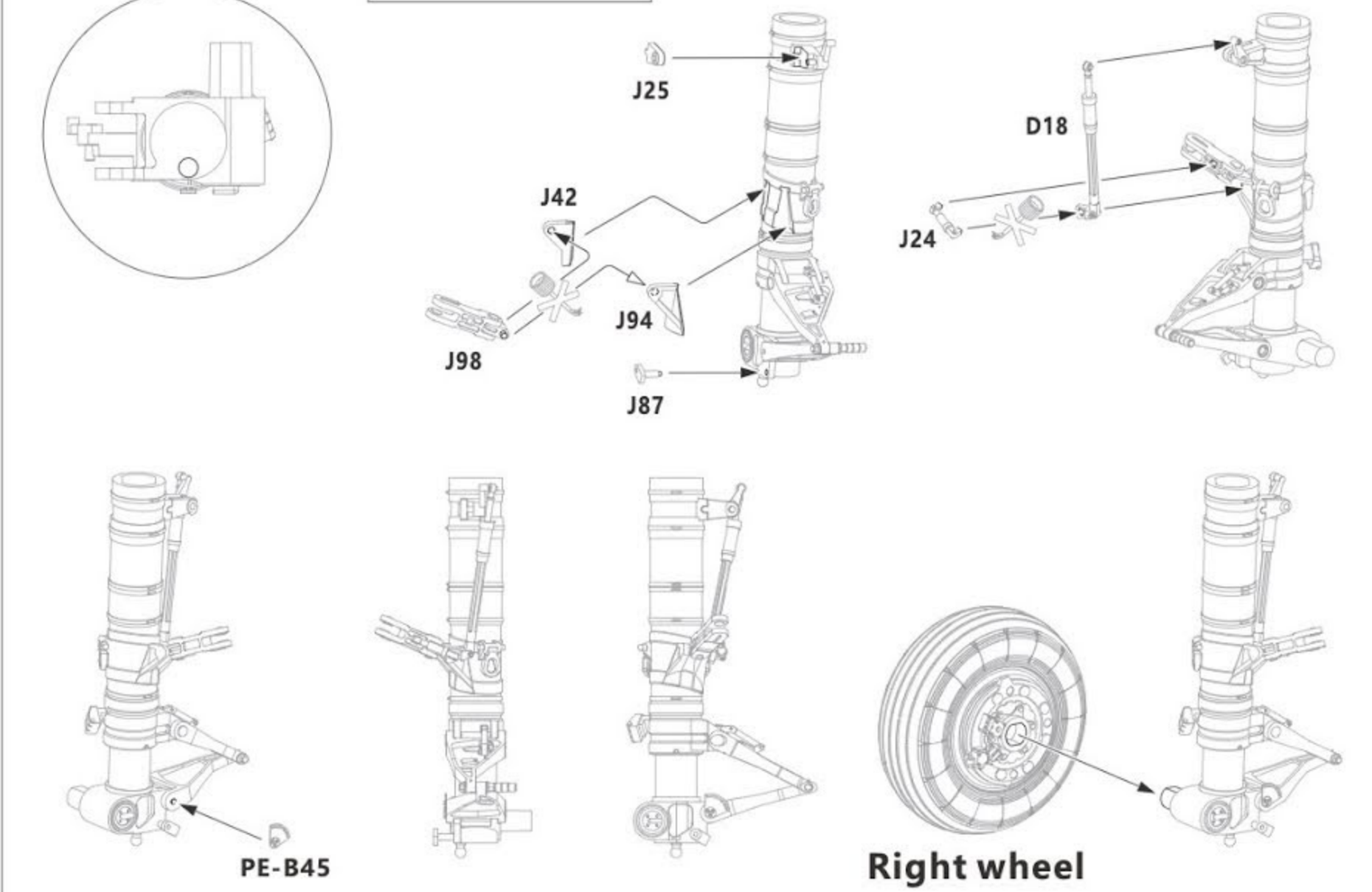
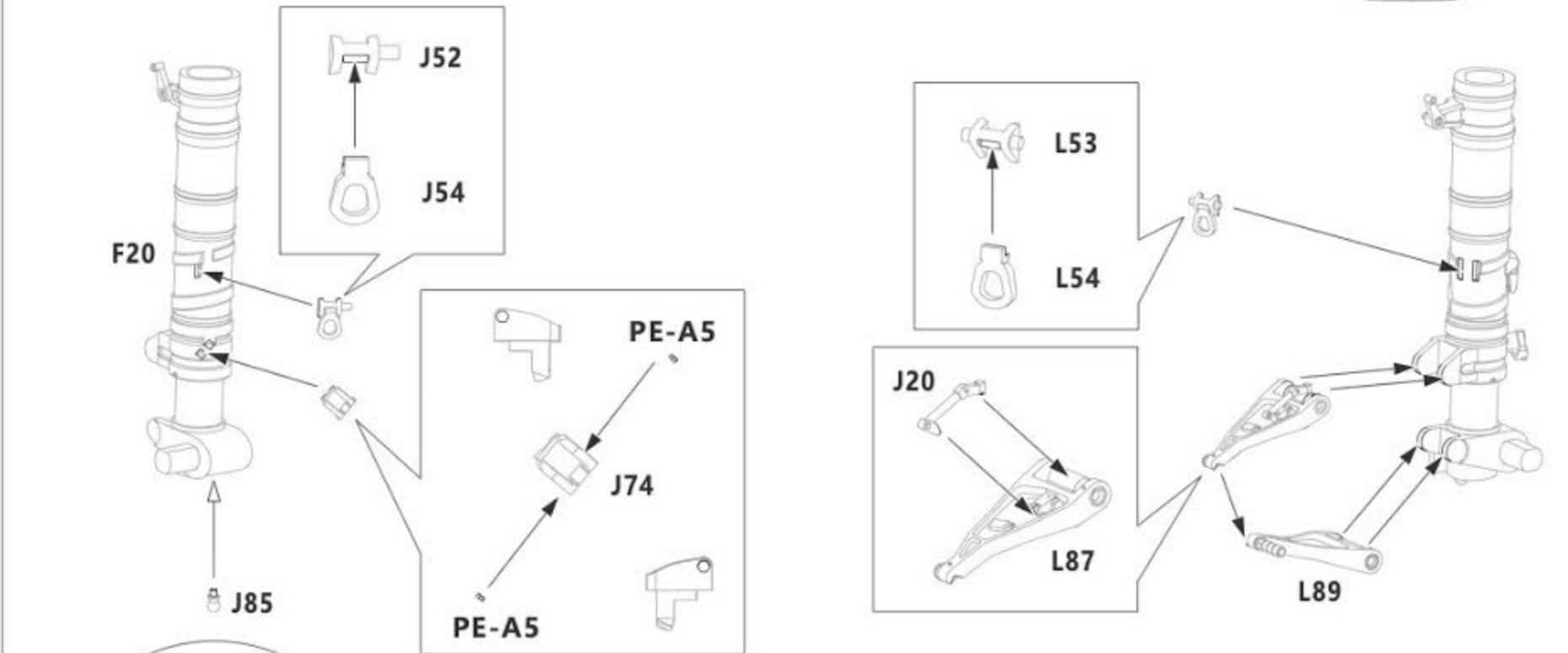
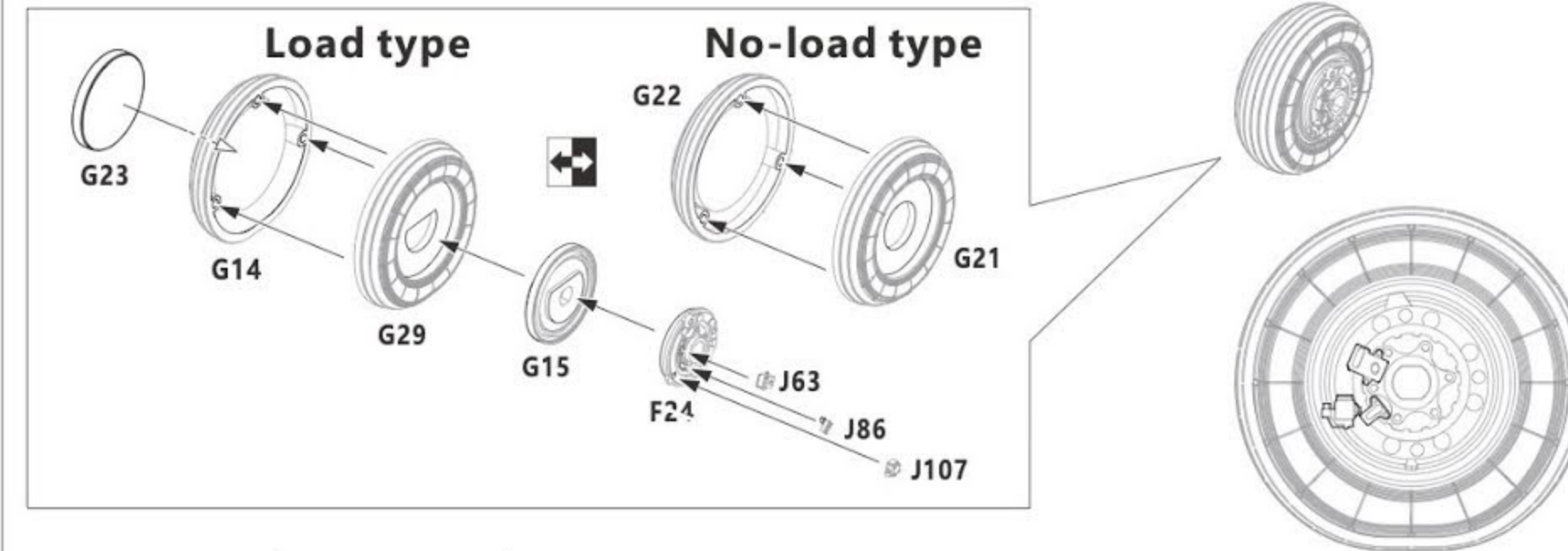
## Standard build



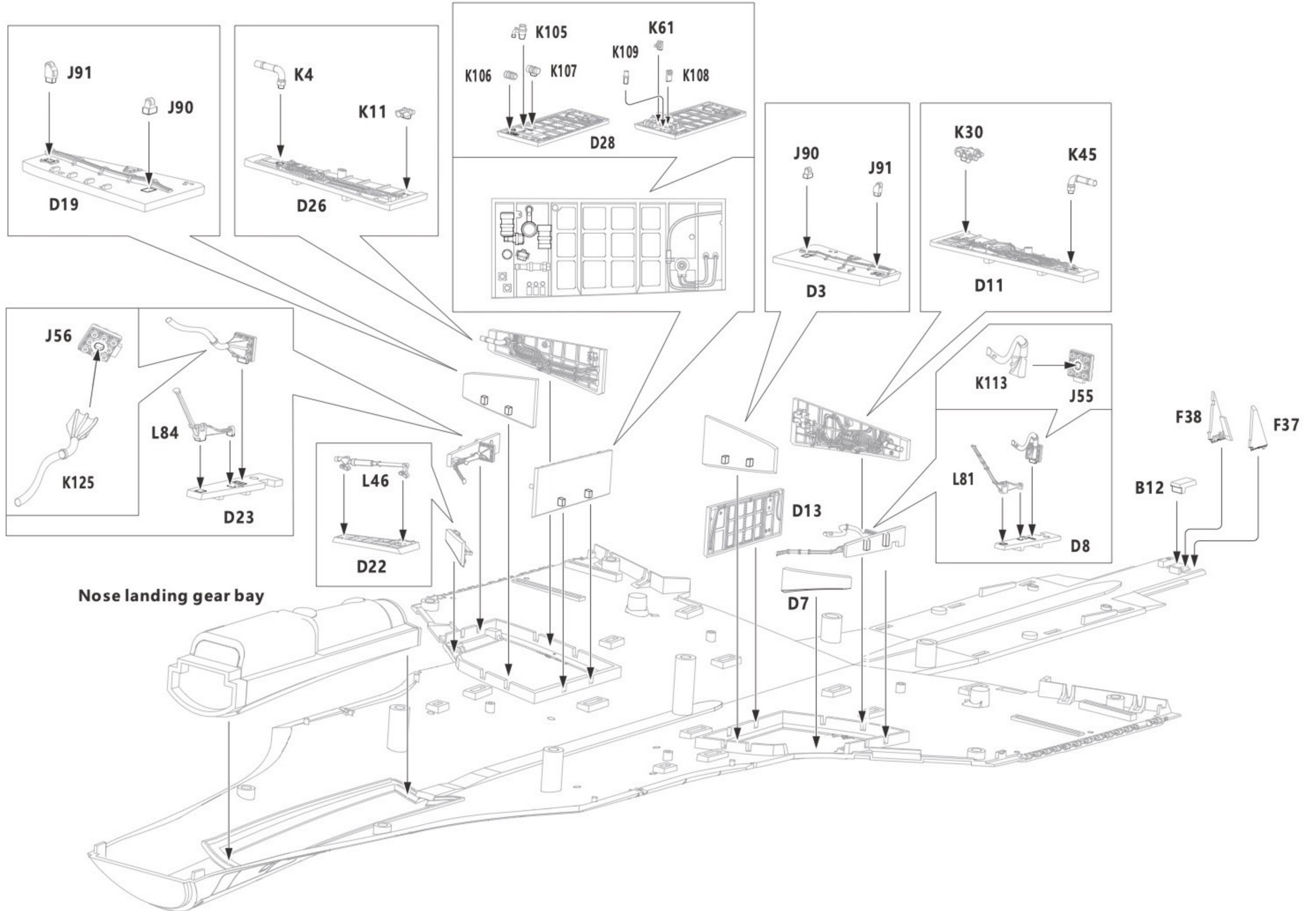
# Main landing gear



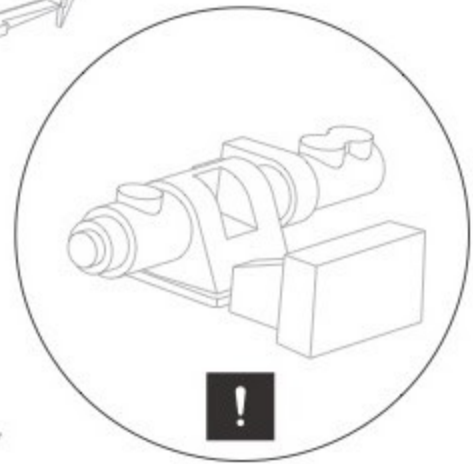
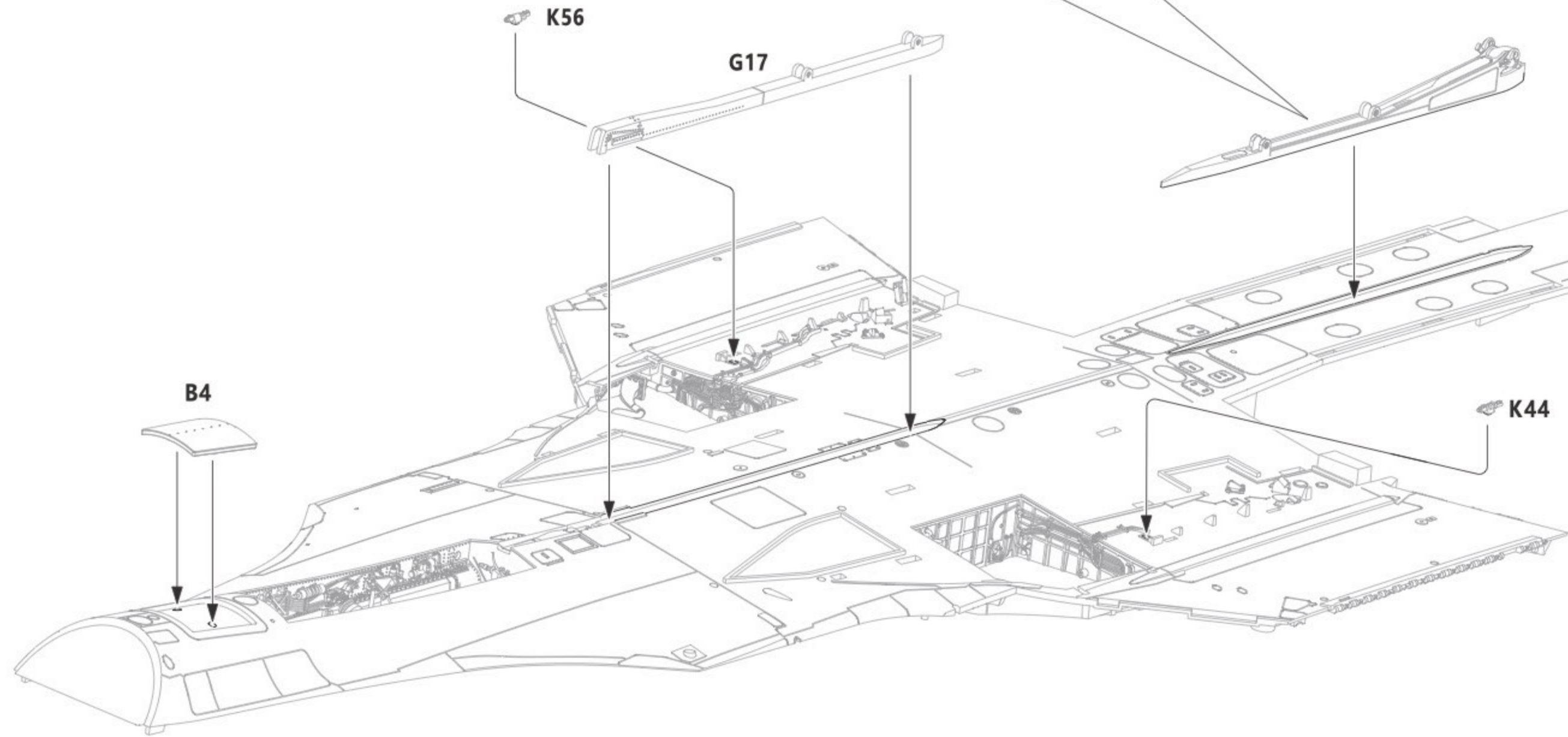
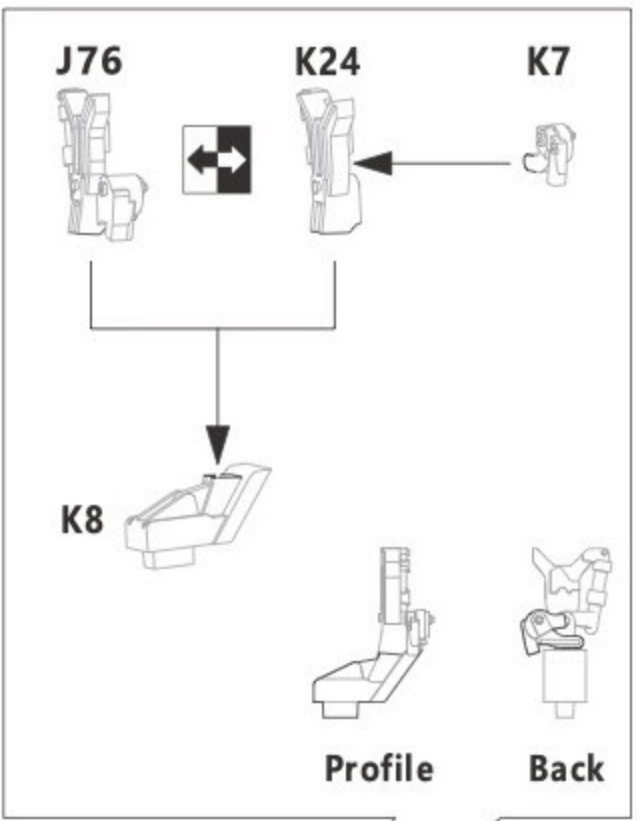
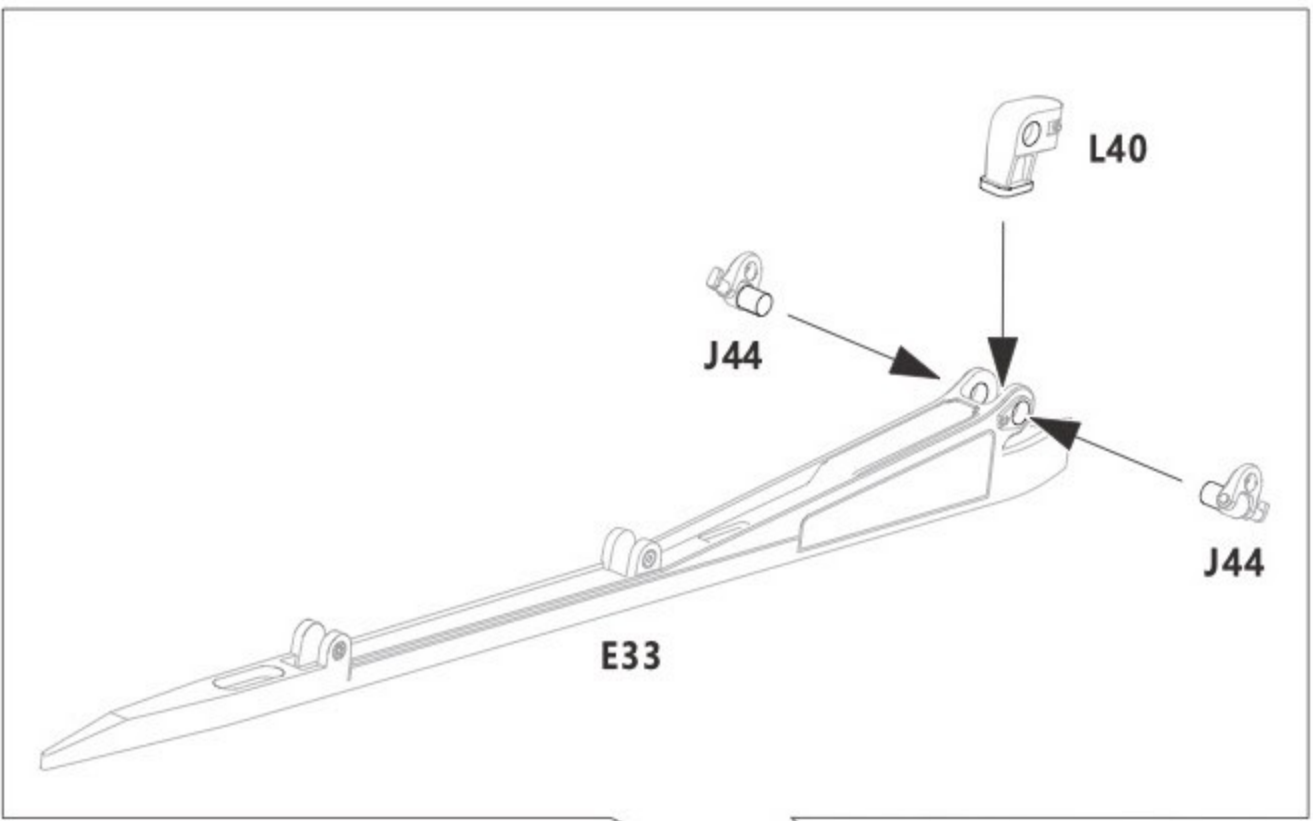
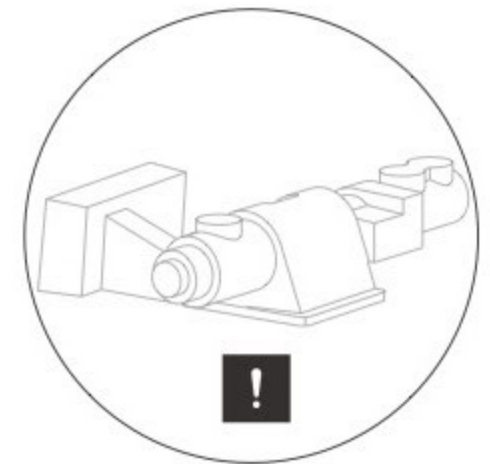
# Main landing gear well

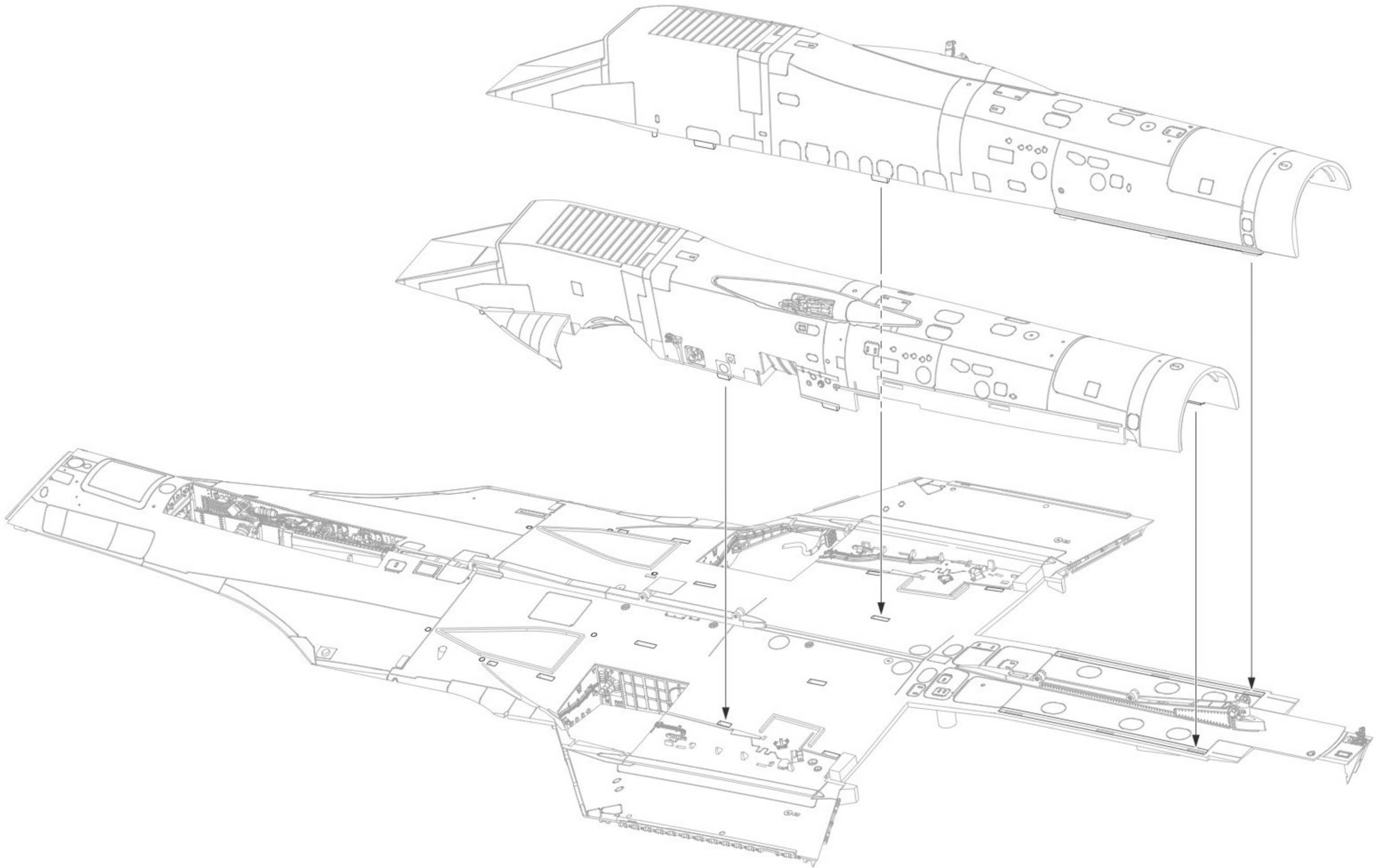


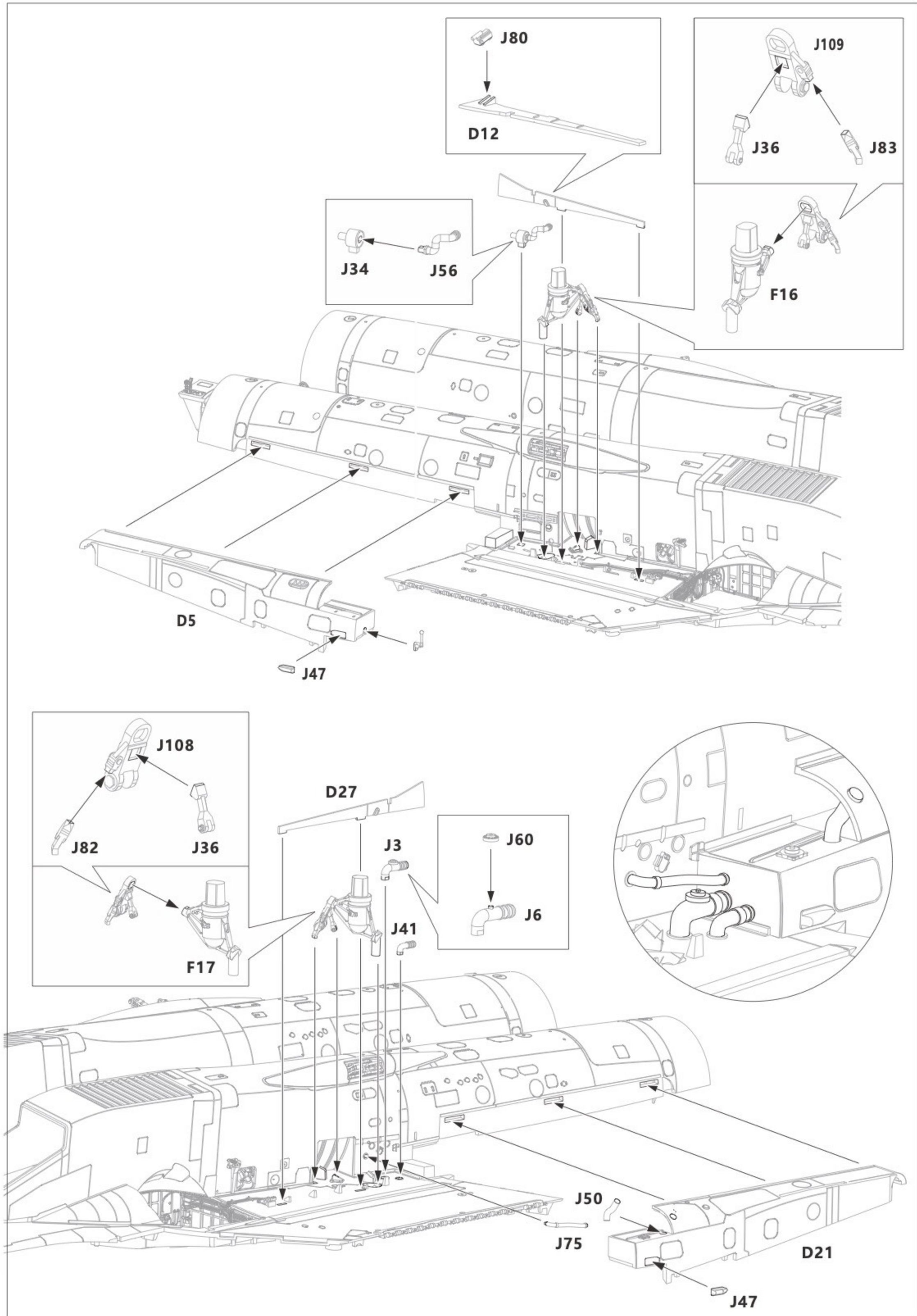
# Main landing gear bays

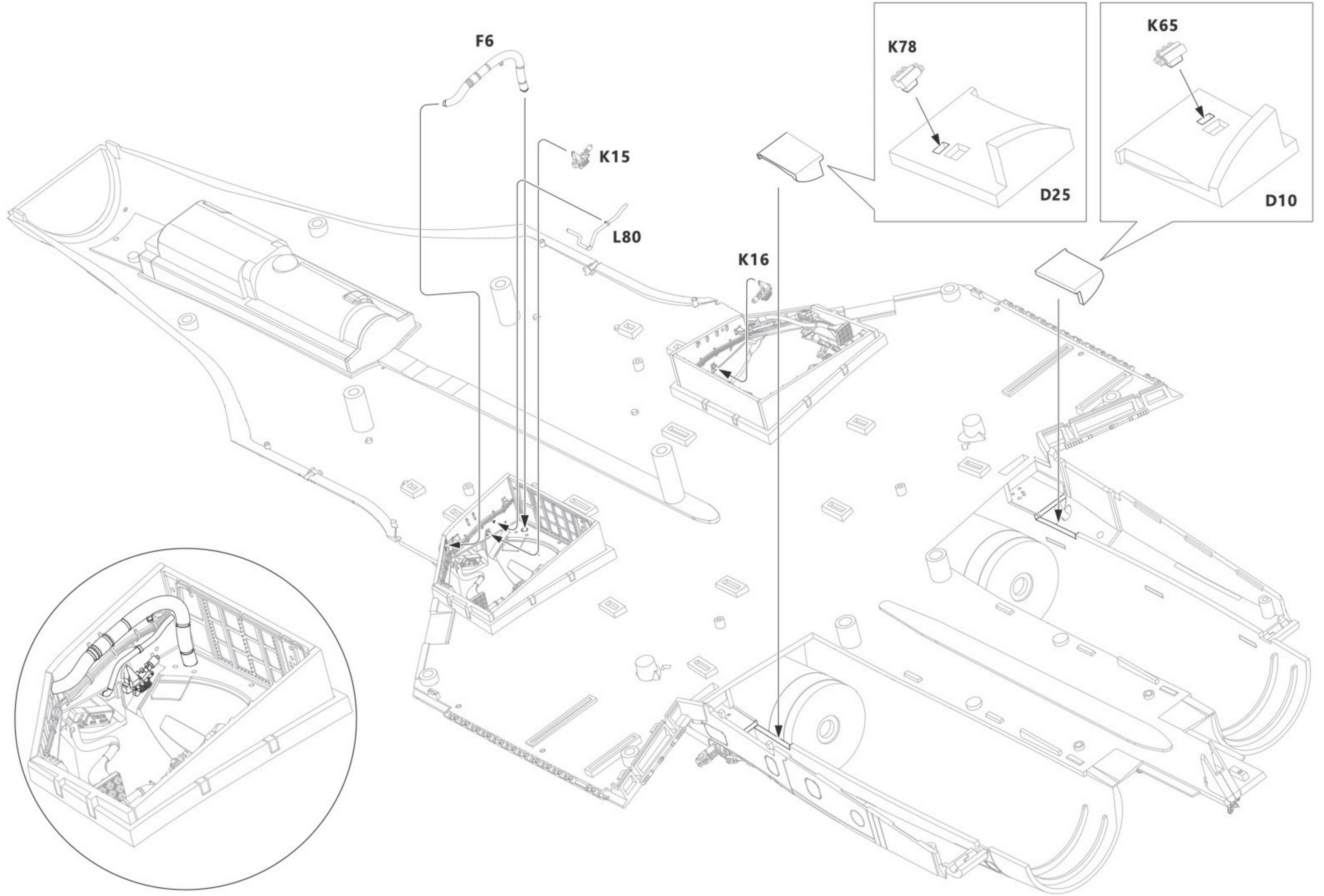


12

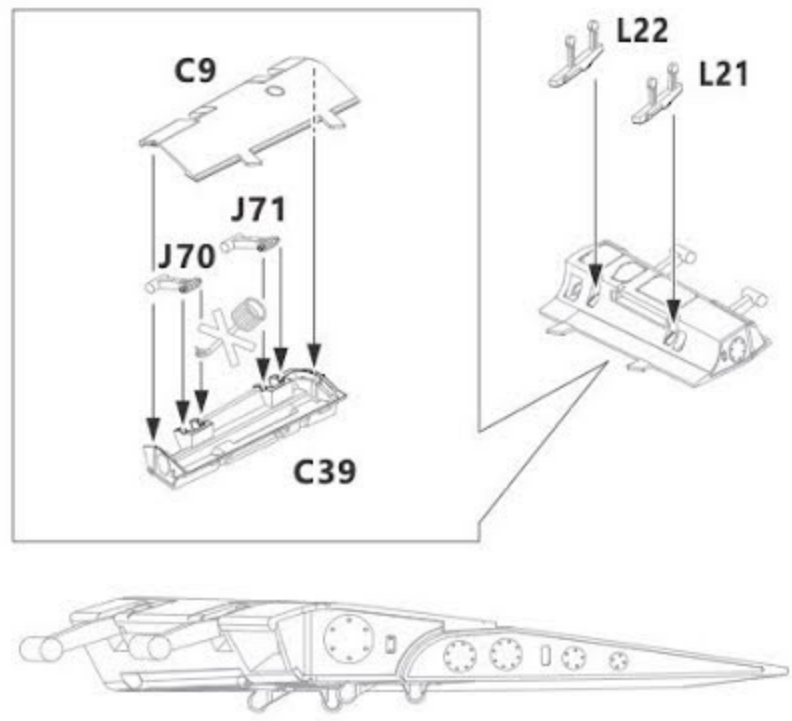




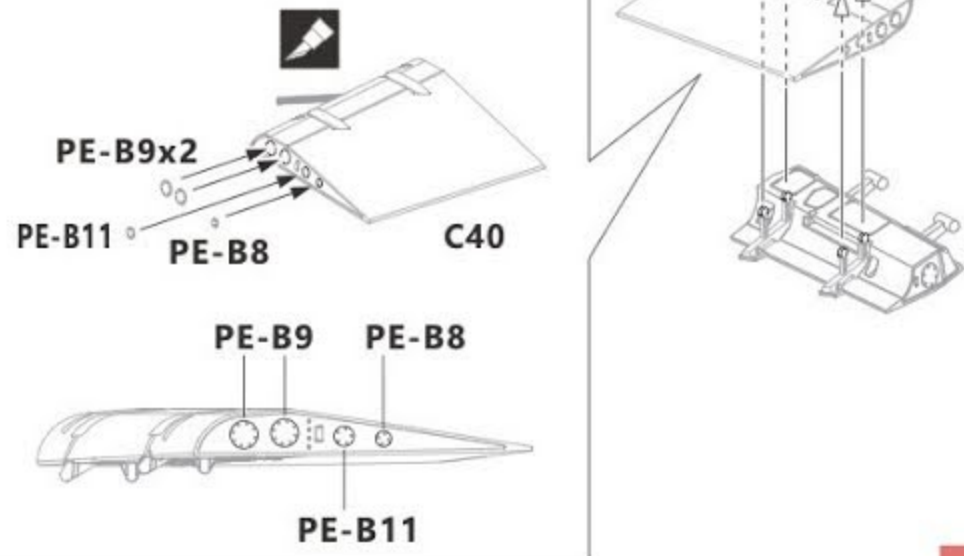




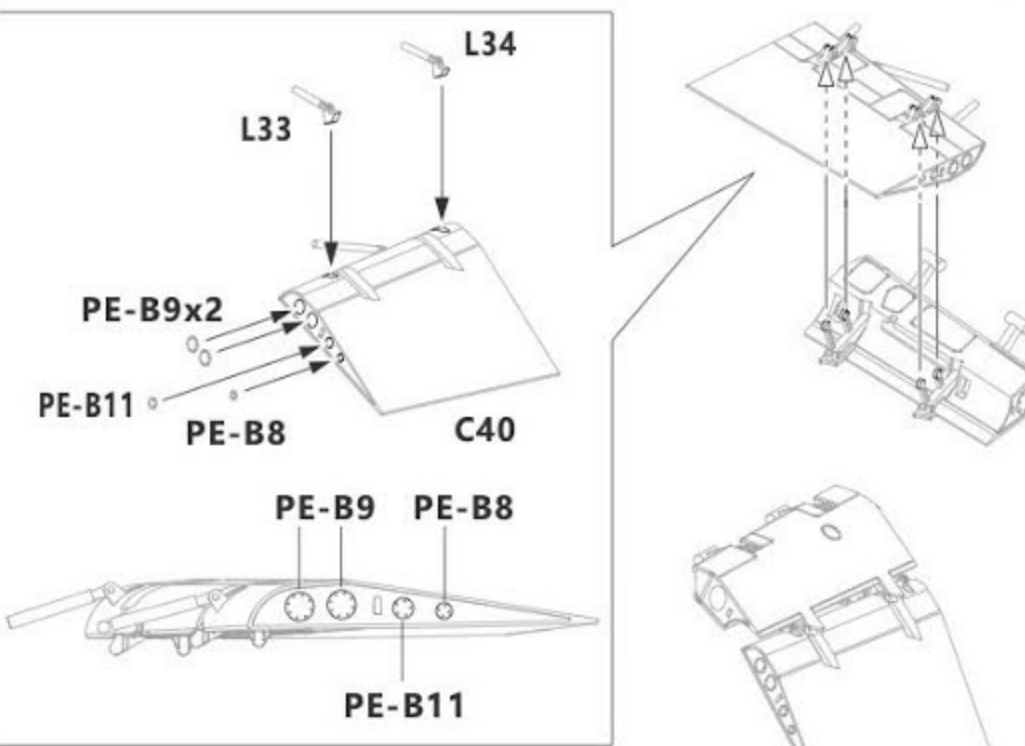
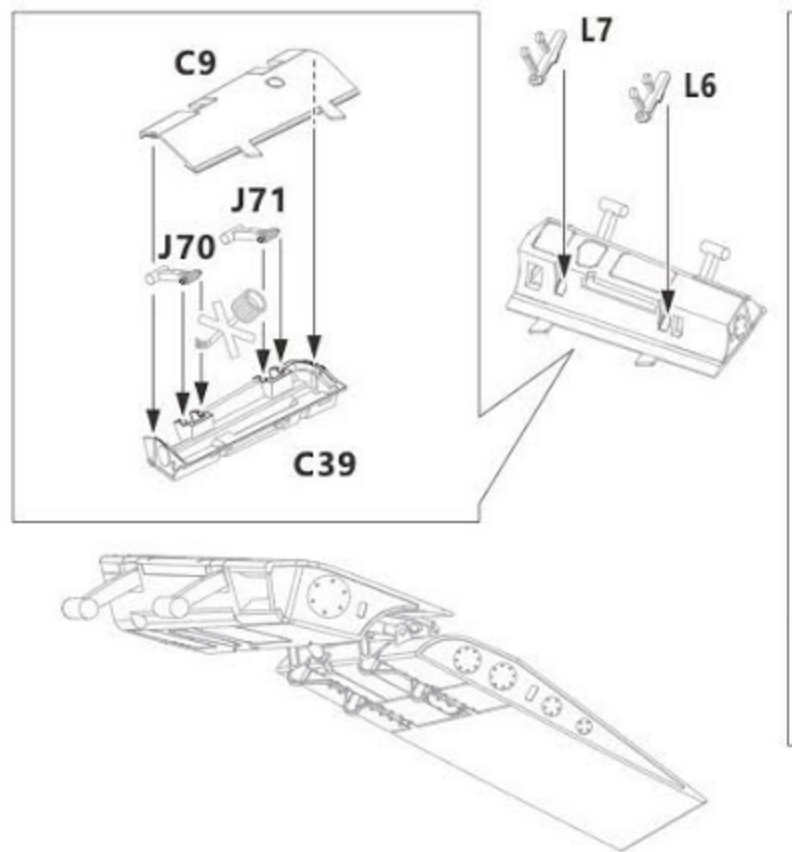
**L (Inner Flap)**



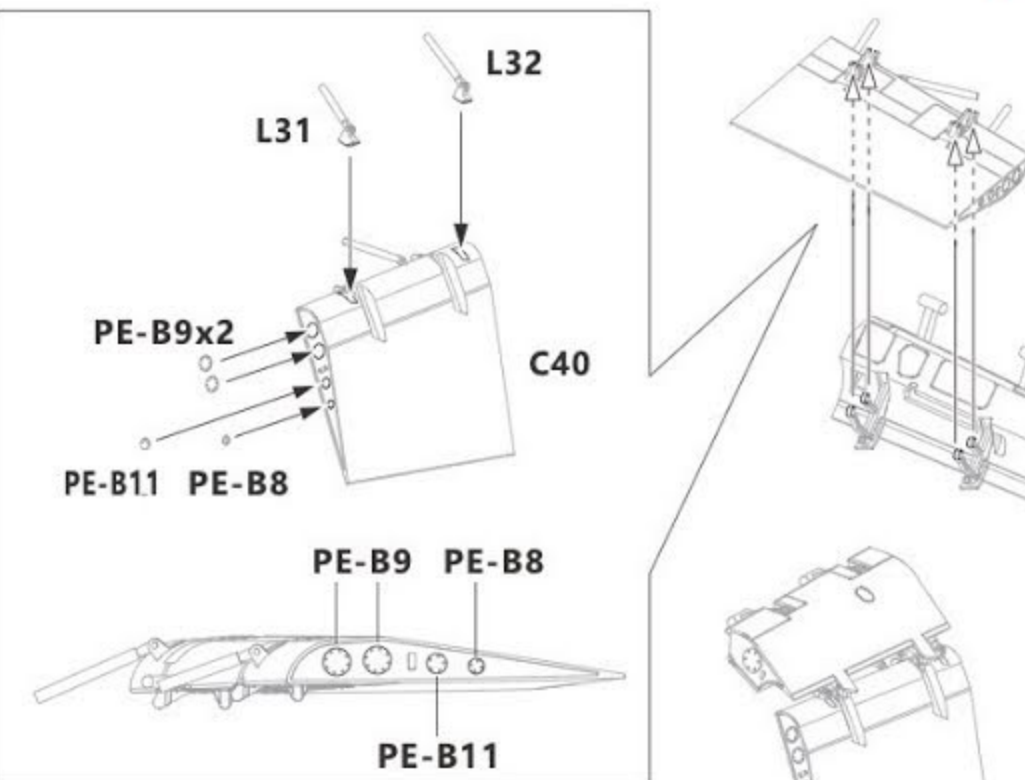
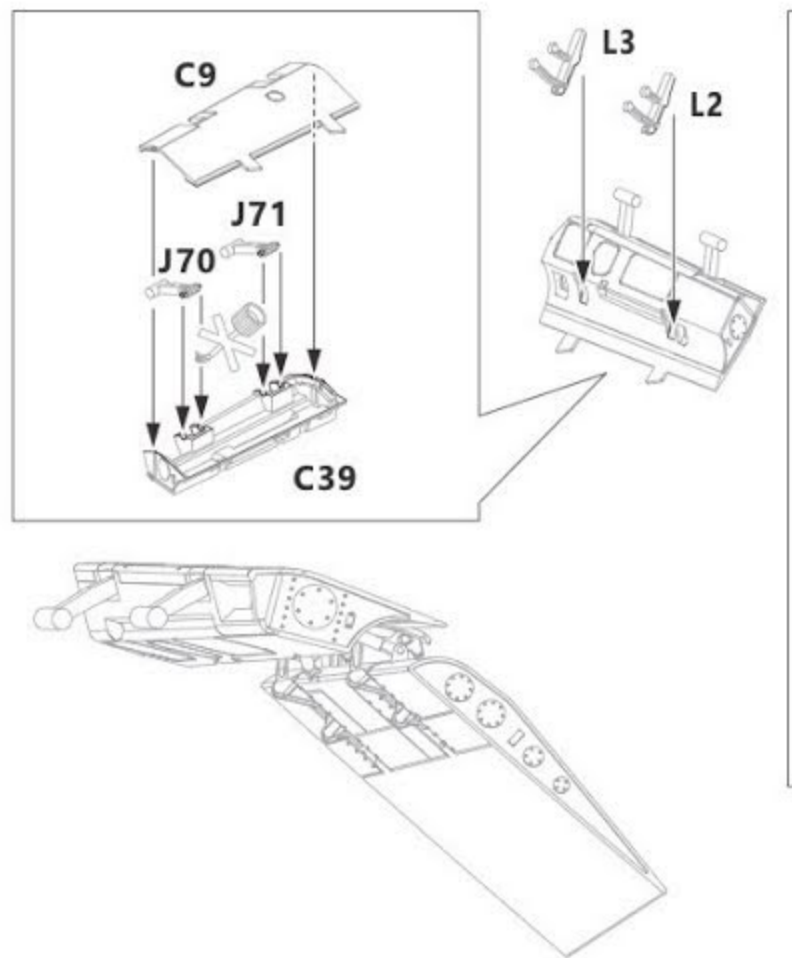
**Cuting the shadow part**



**A**

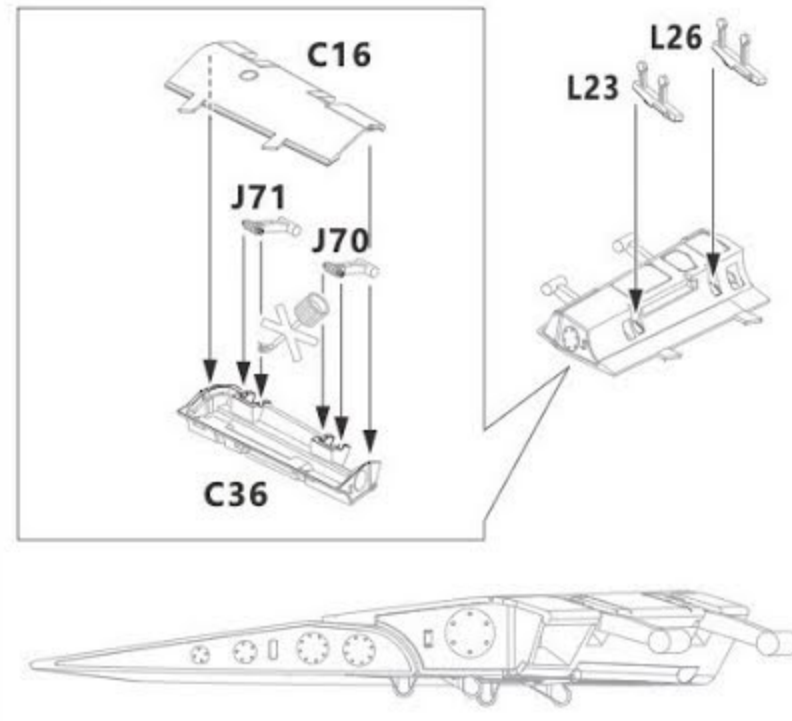


**B**

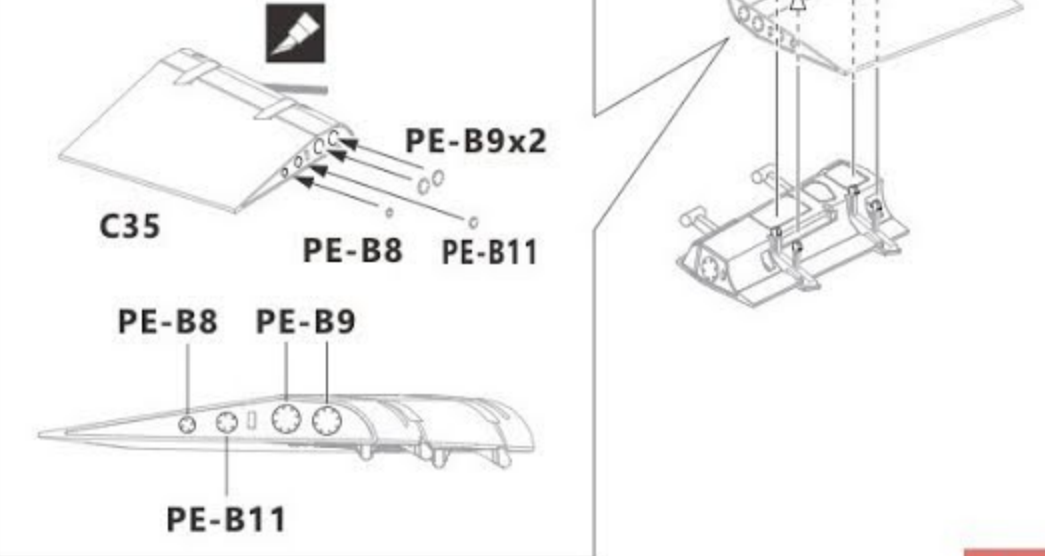


**C**

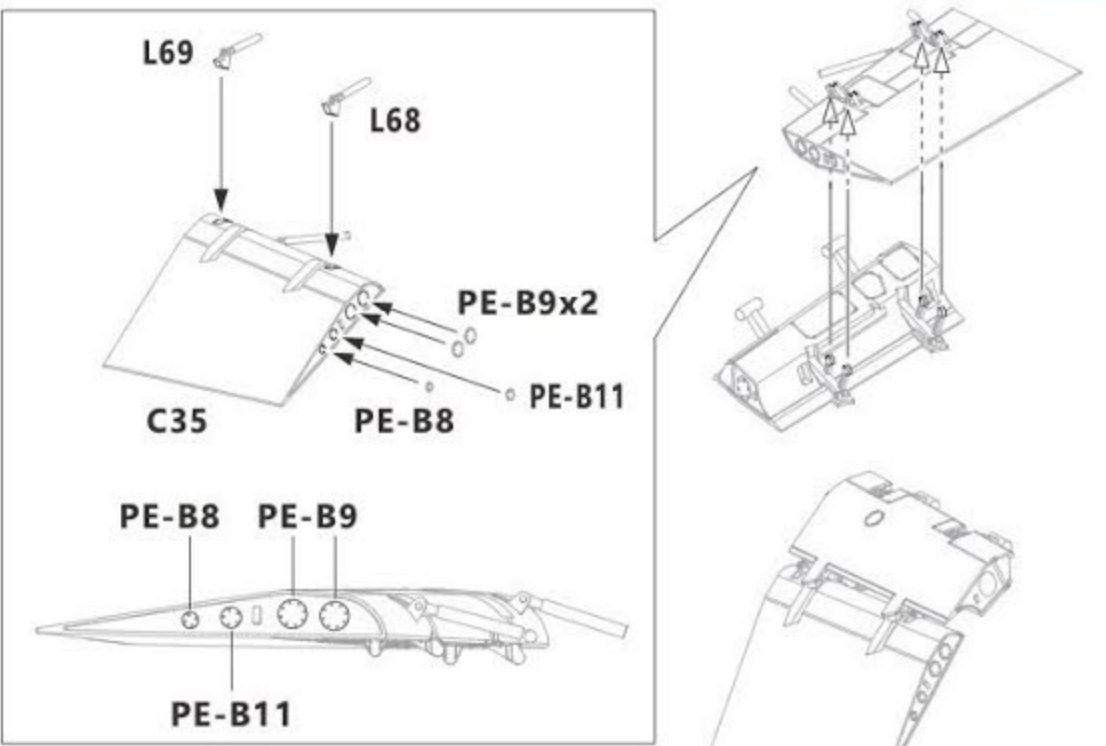
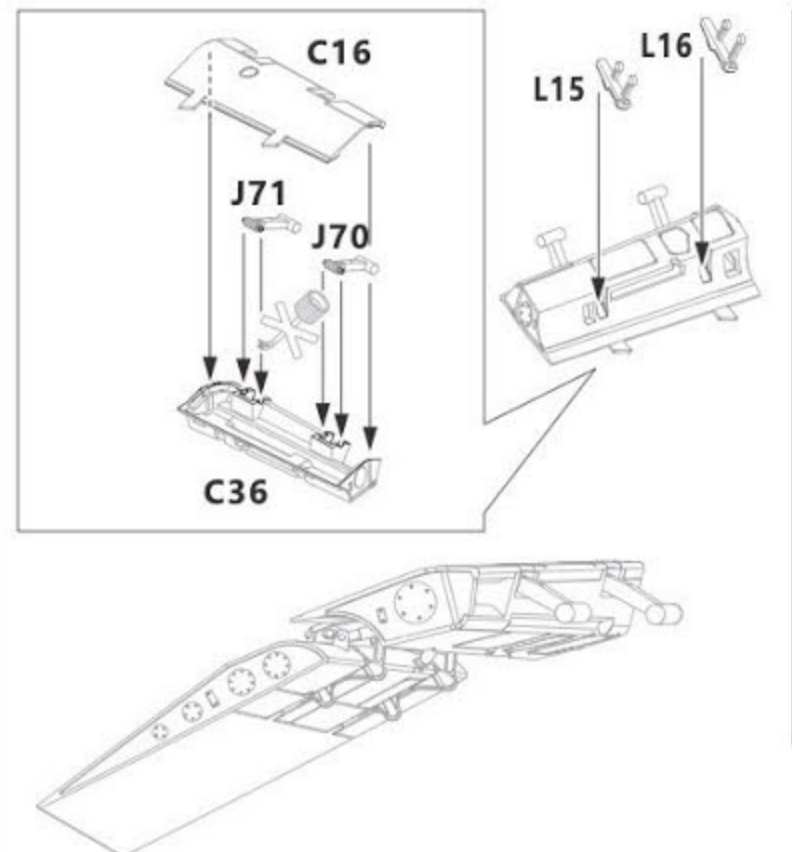
**R (Inner Flap)**



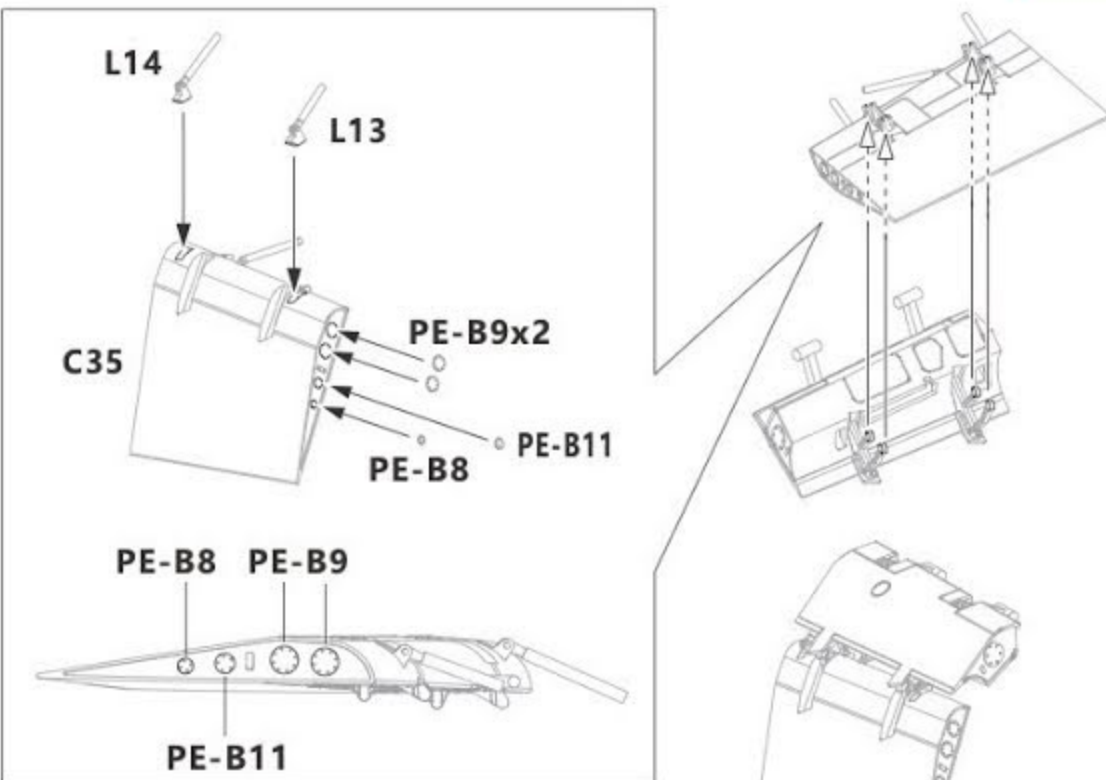
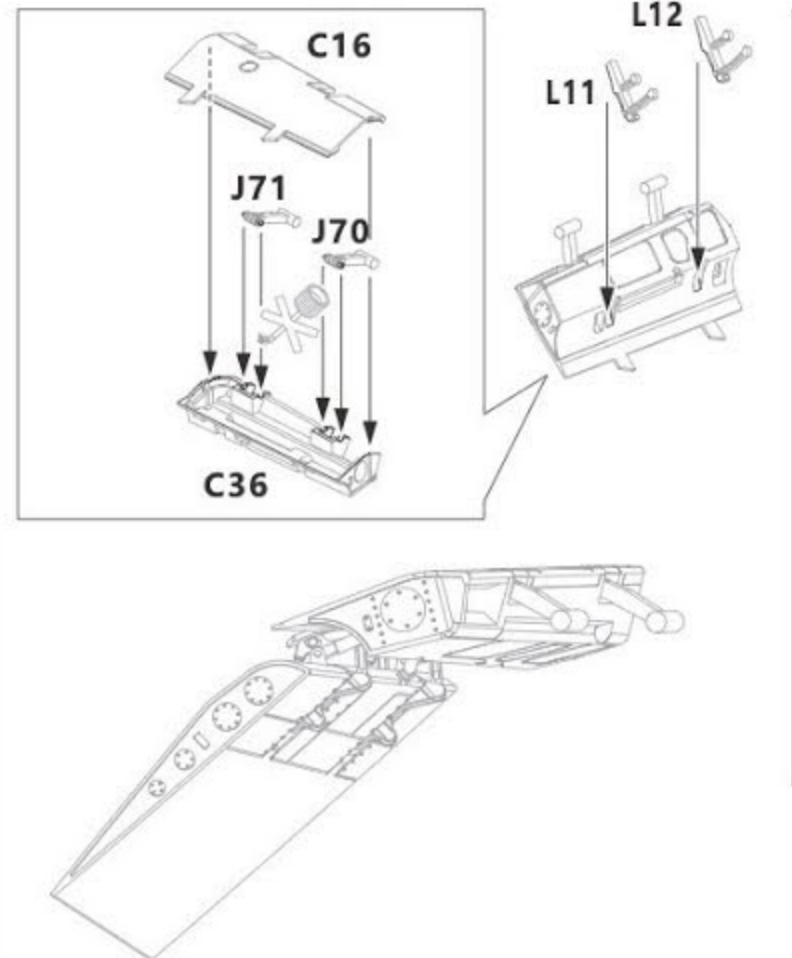
**Cuting the shadow part**



**D**



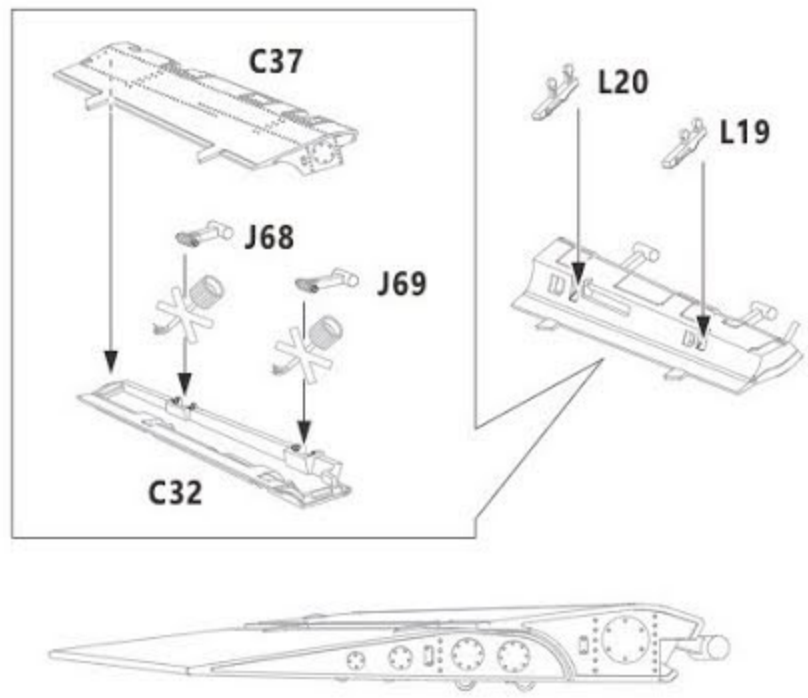
**E**



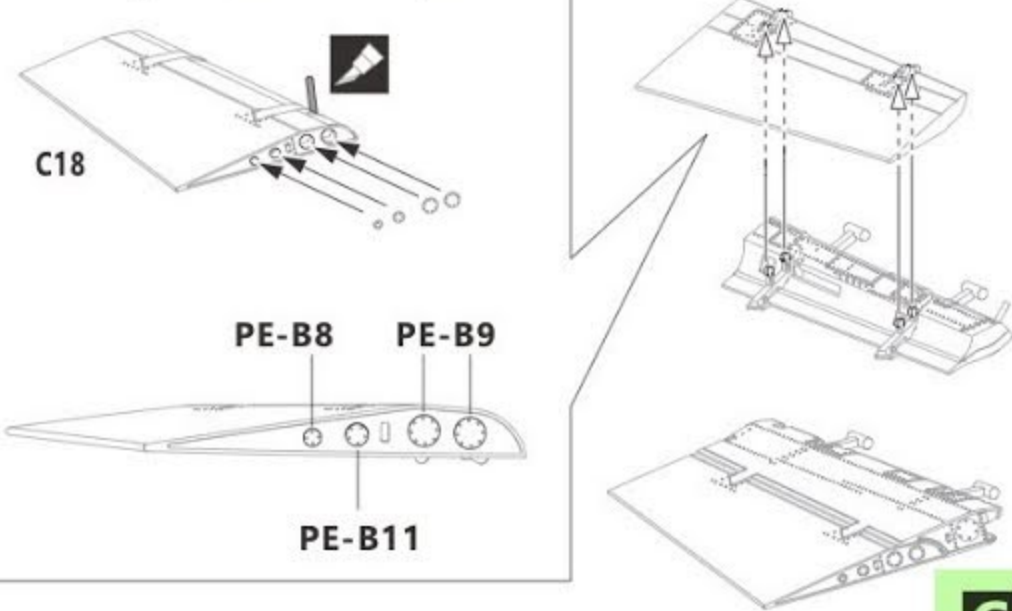
**F**



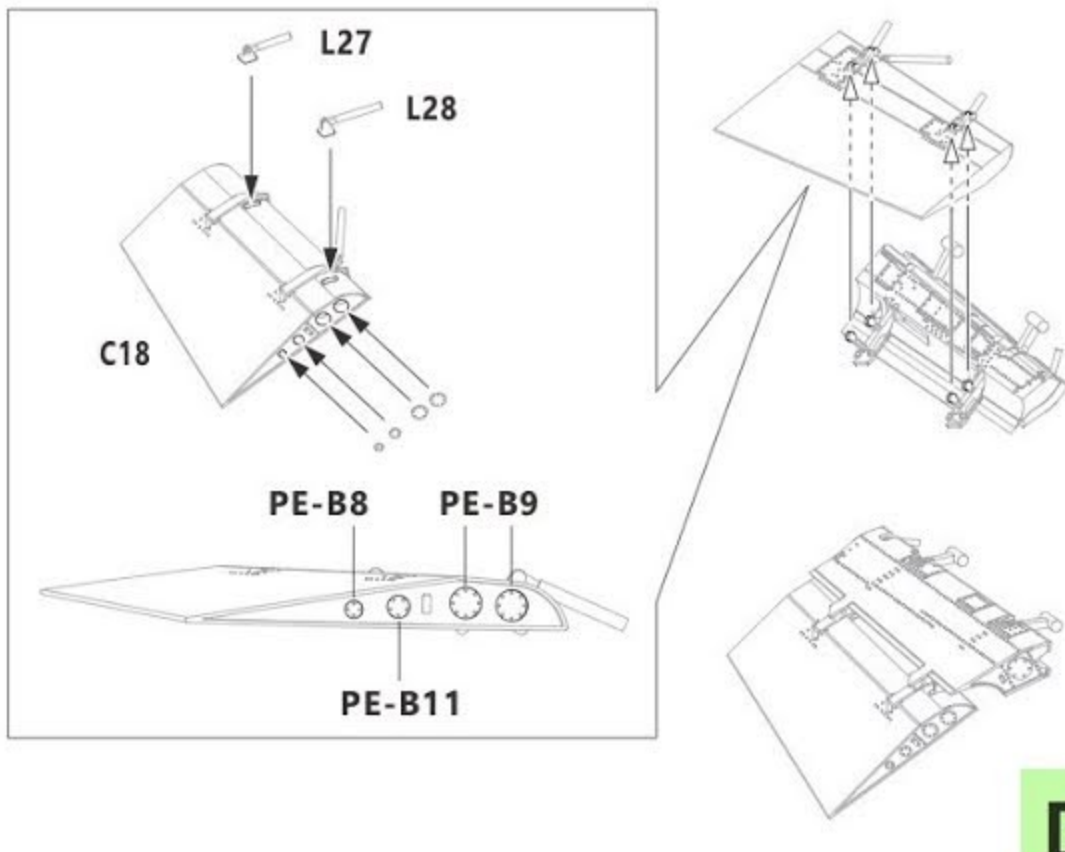
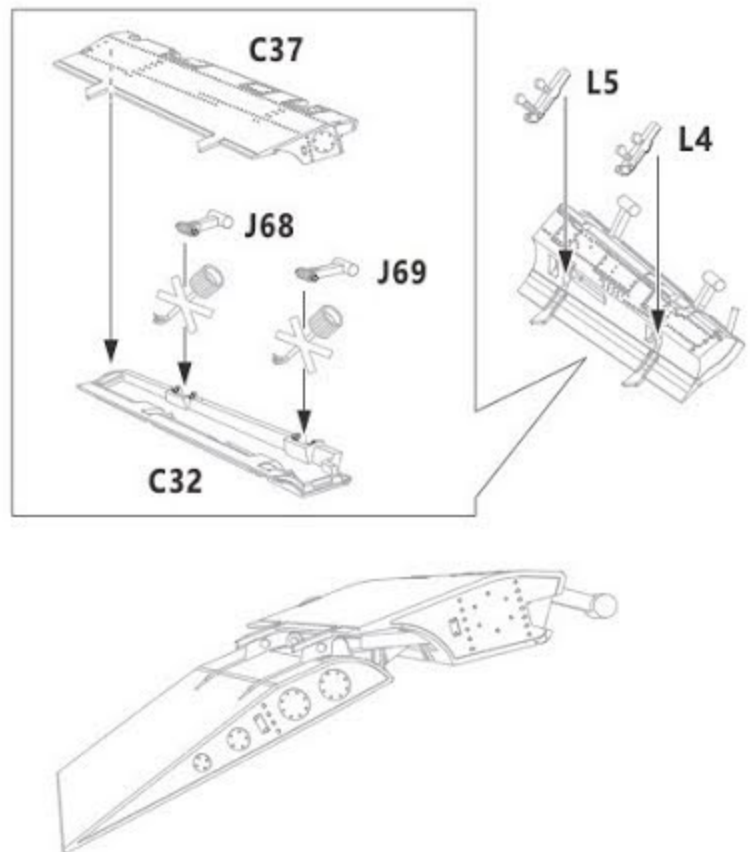
**L (Outer Flap)**



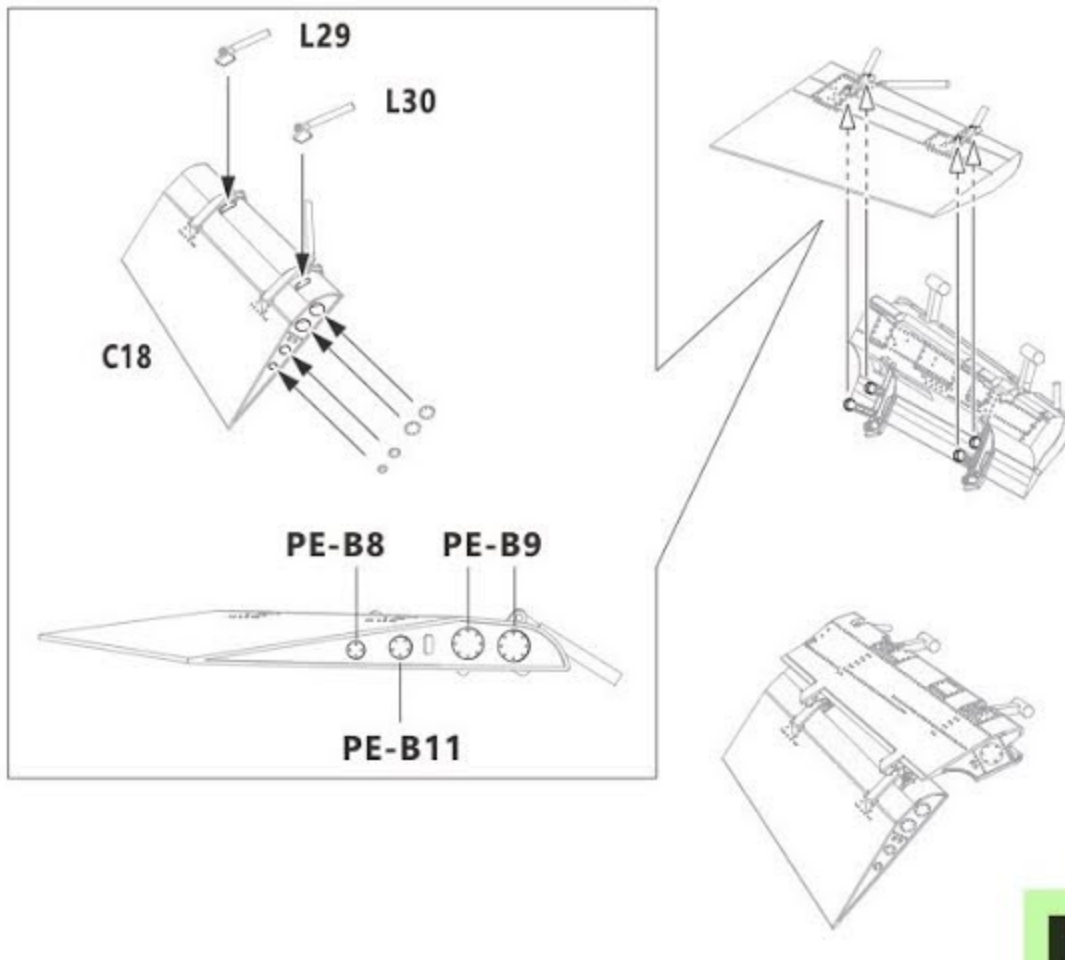
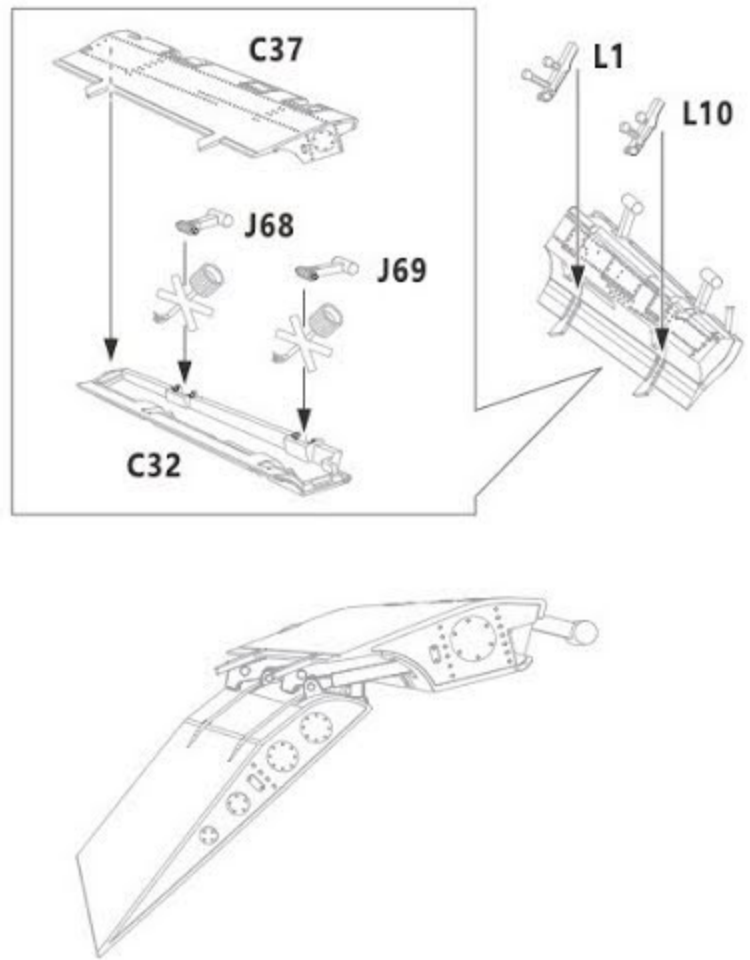
**Cuting the shadow part**



**G**

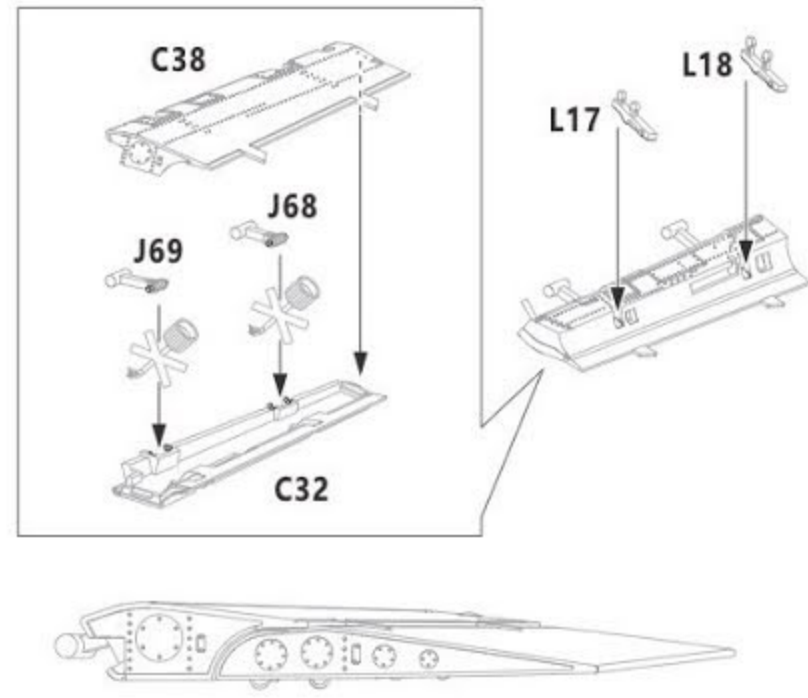


**H**

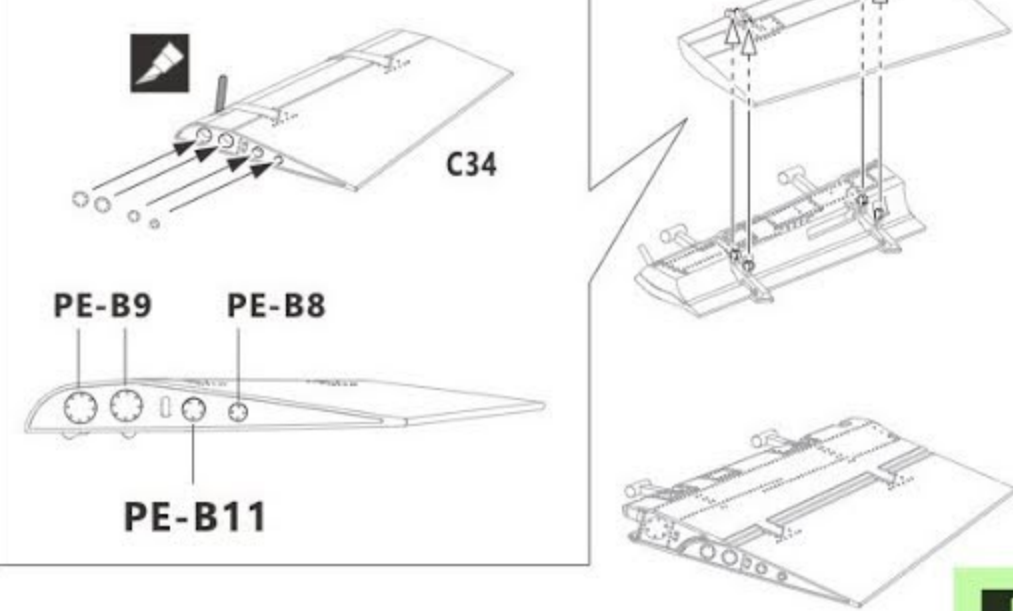


**I**

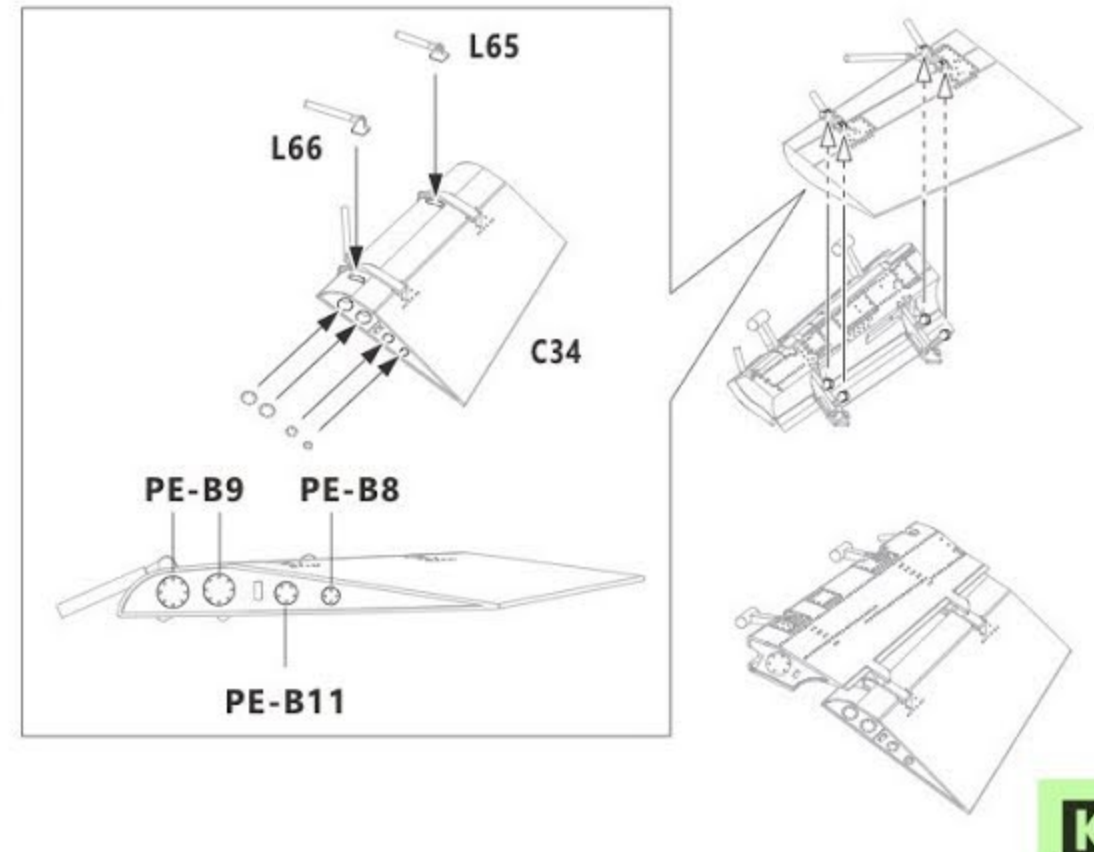
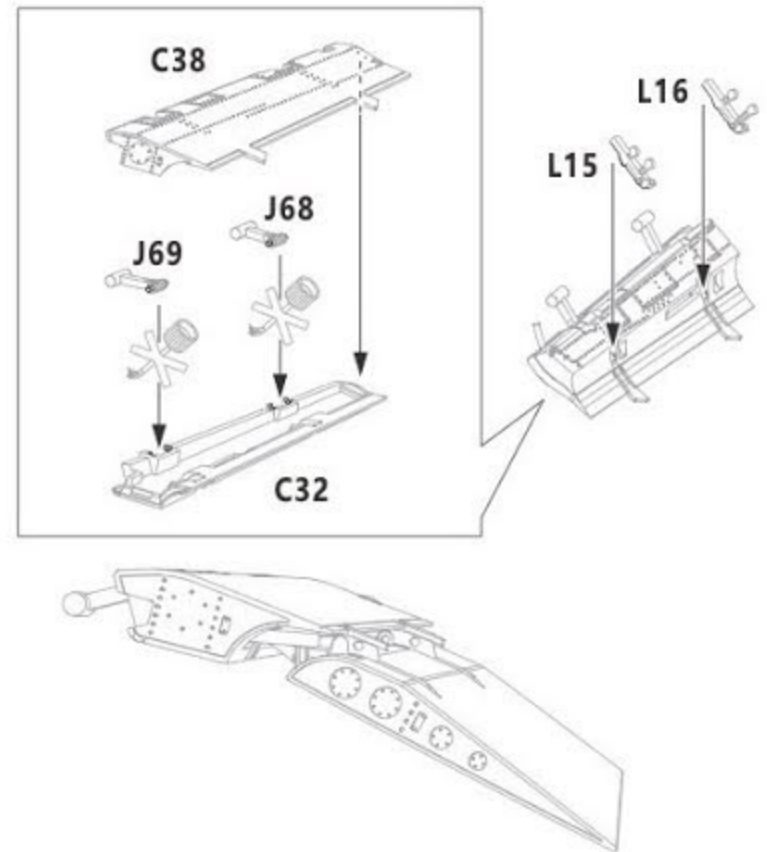
**R (Outer Flap)**



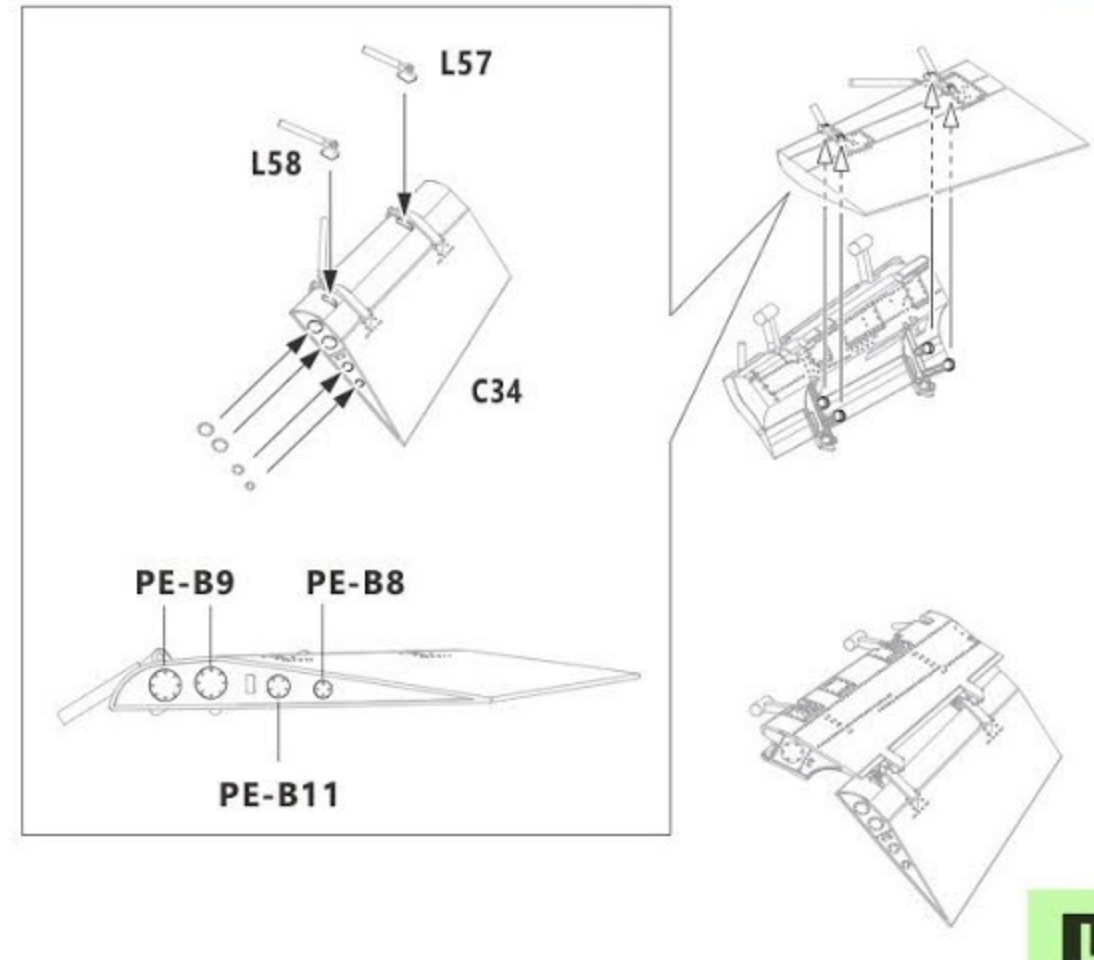
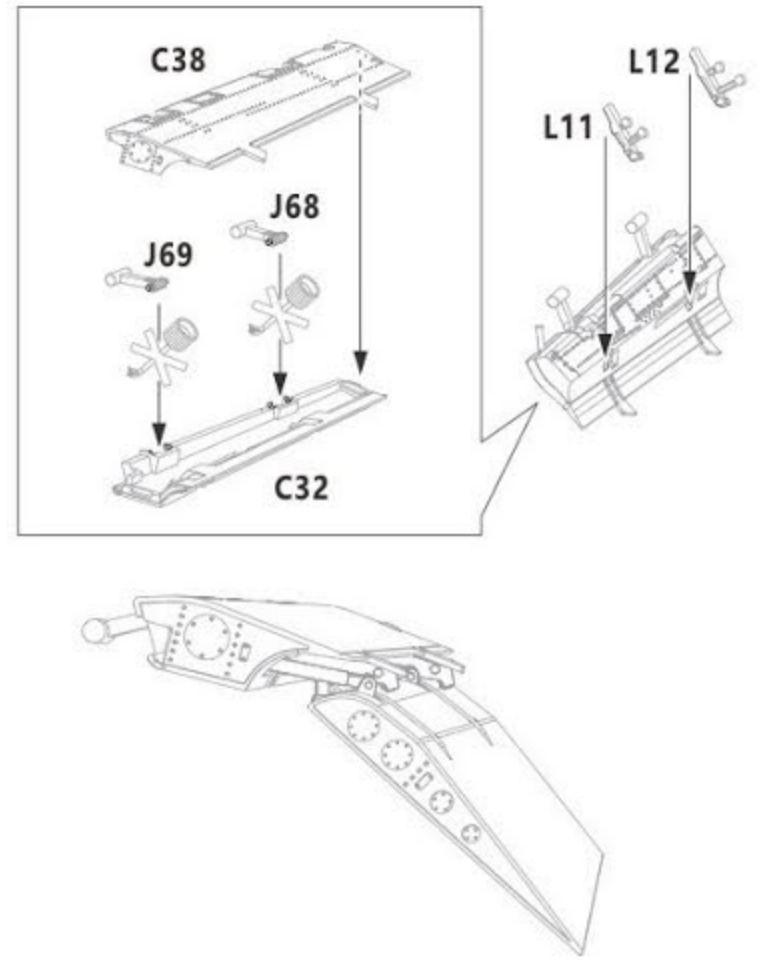
**Cuting the shadow part**



**J**

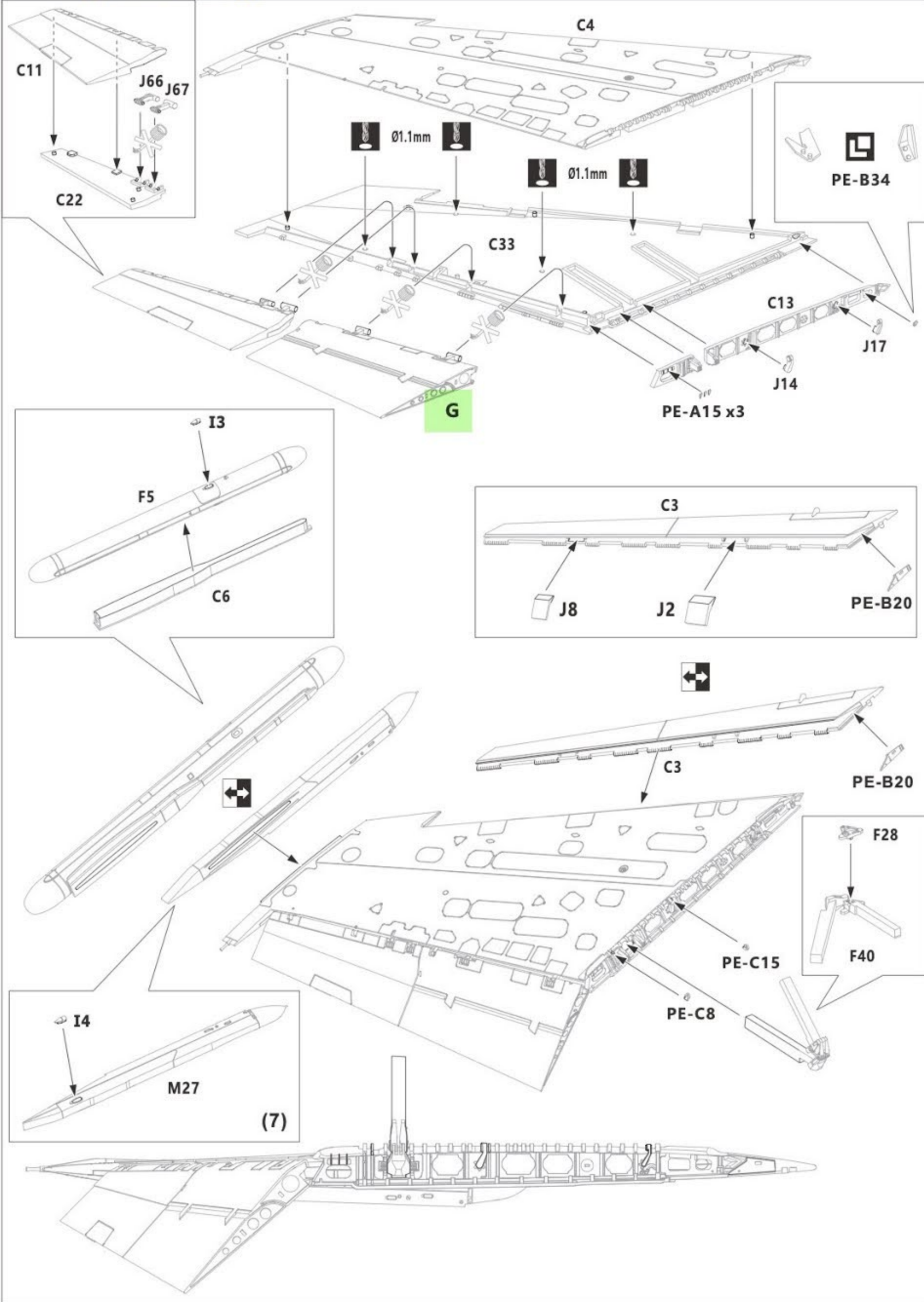


**K**

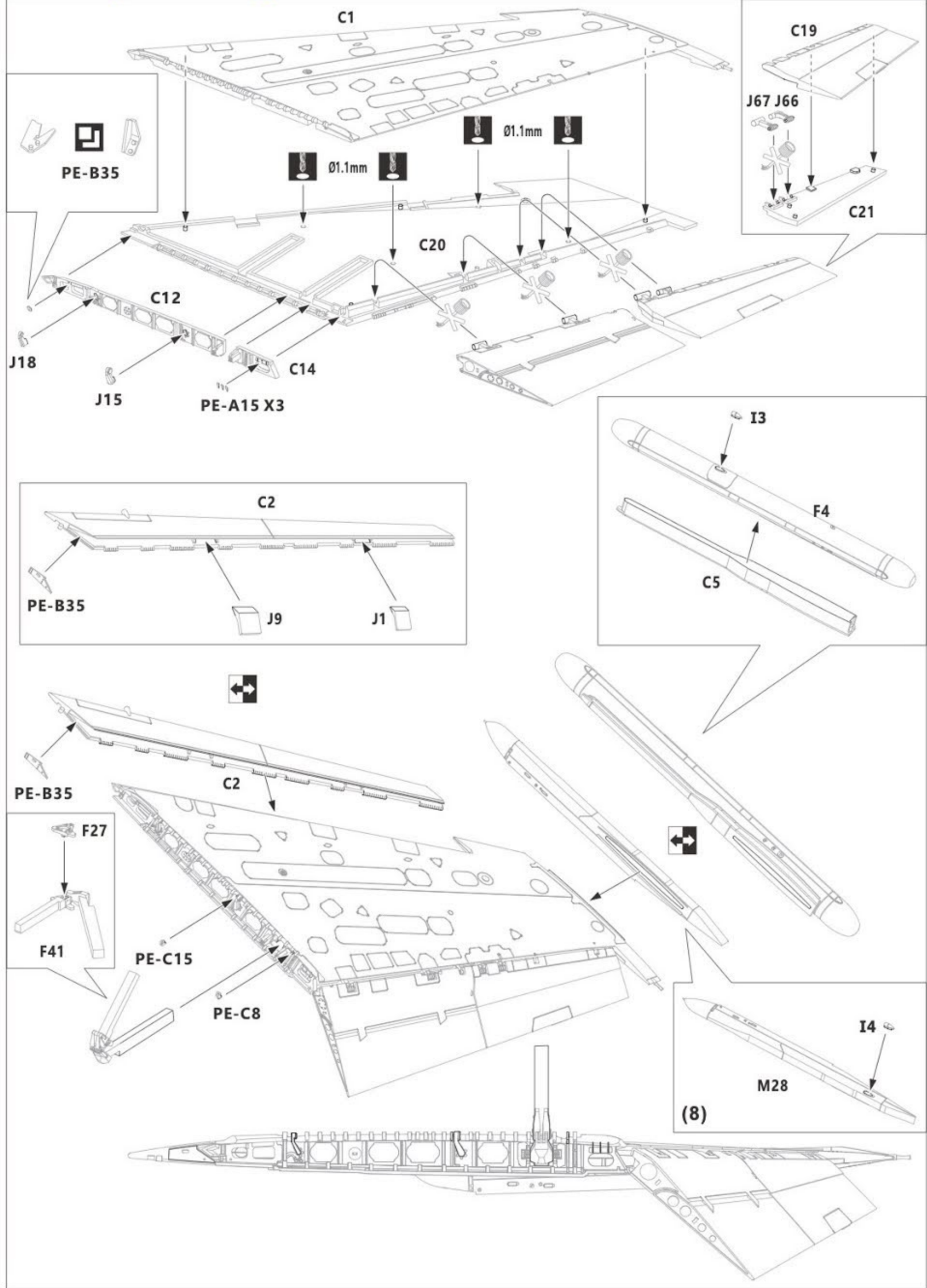


**L**

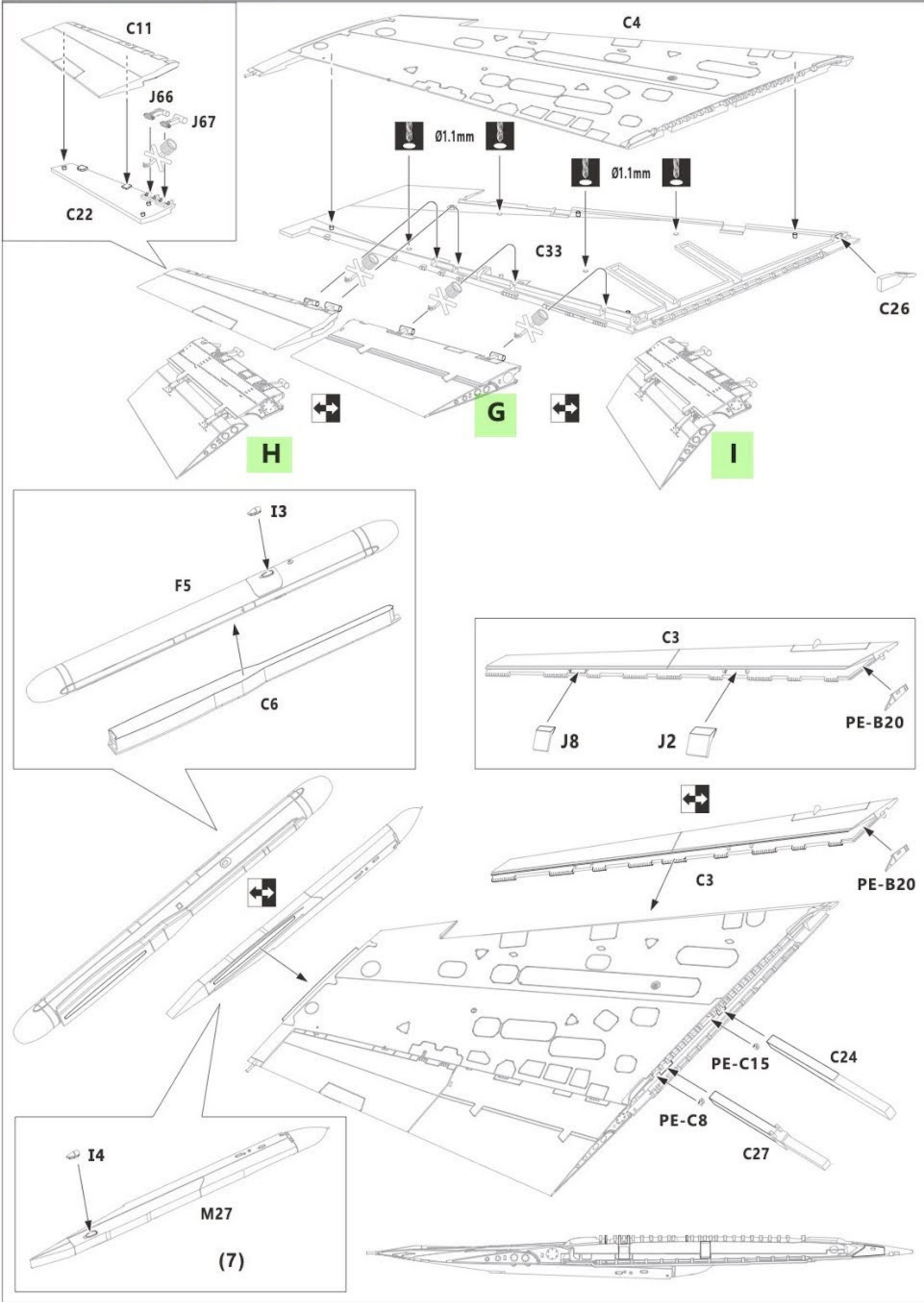
折翼 L (Folded Wing)



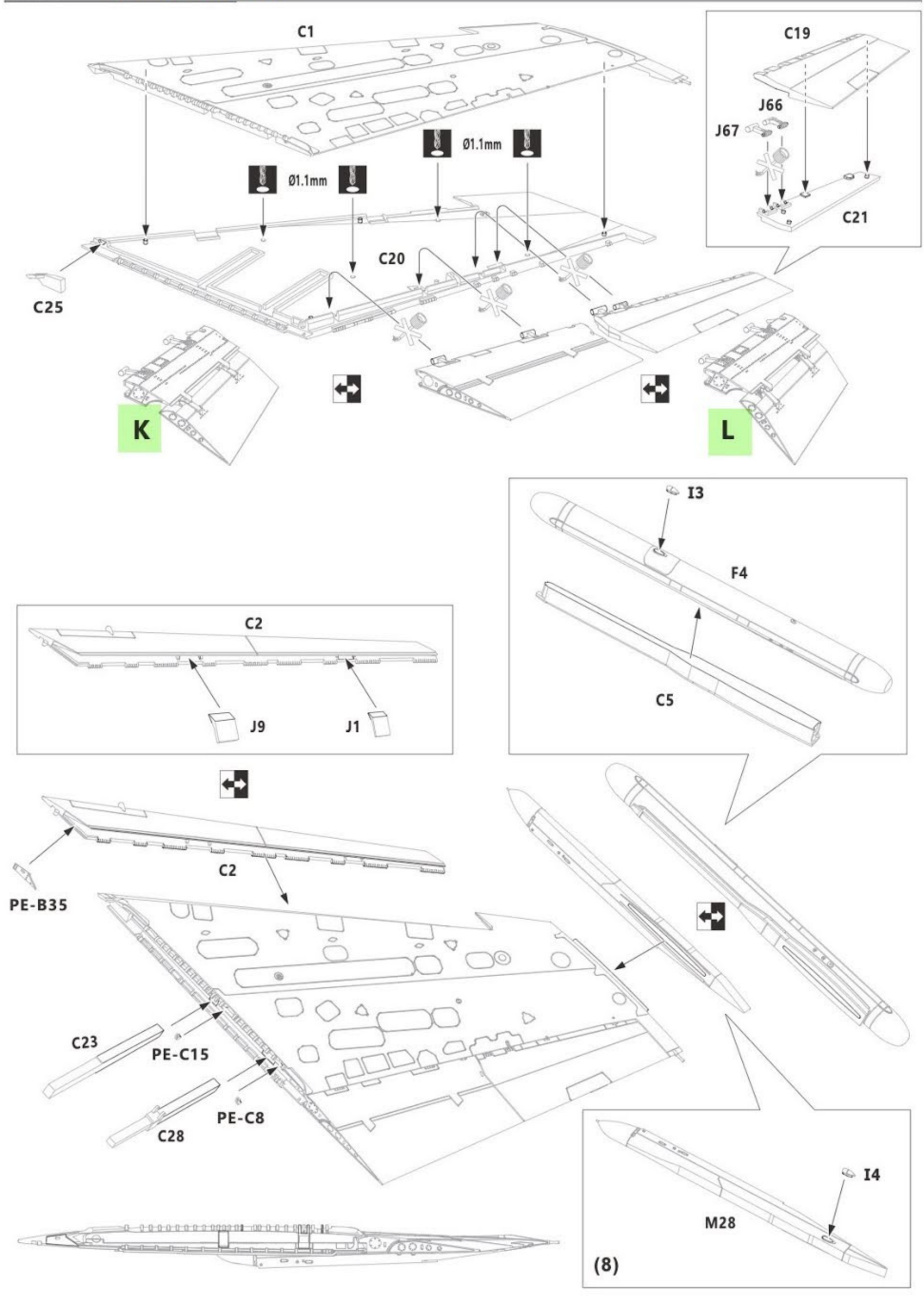
折翼 R (Folded Wing)

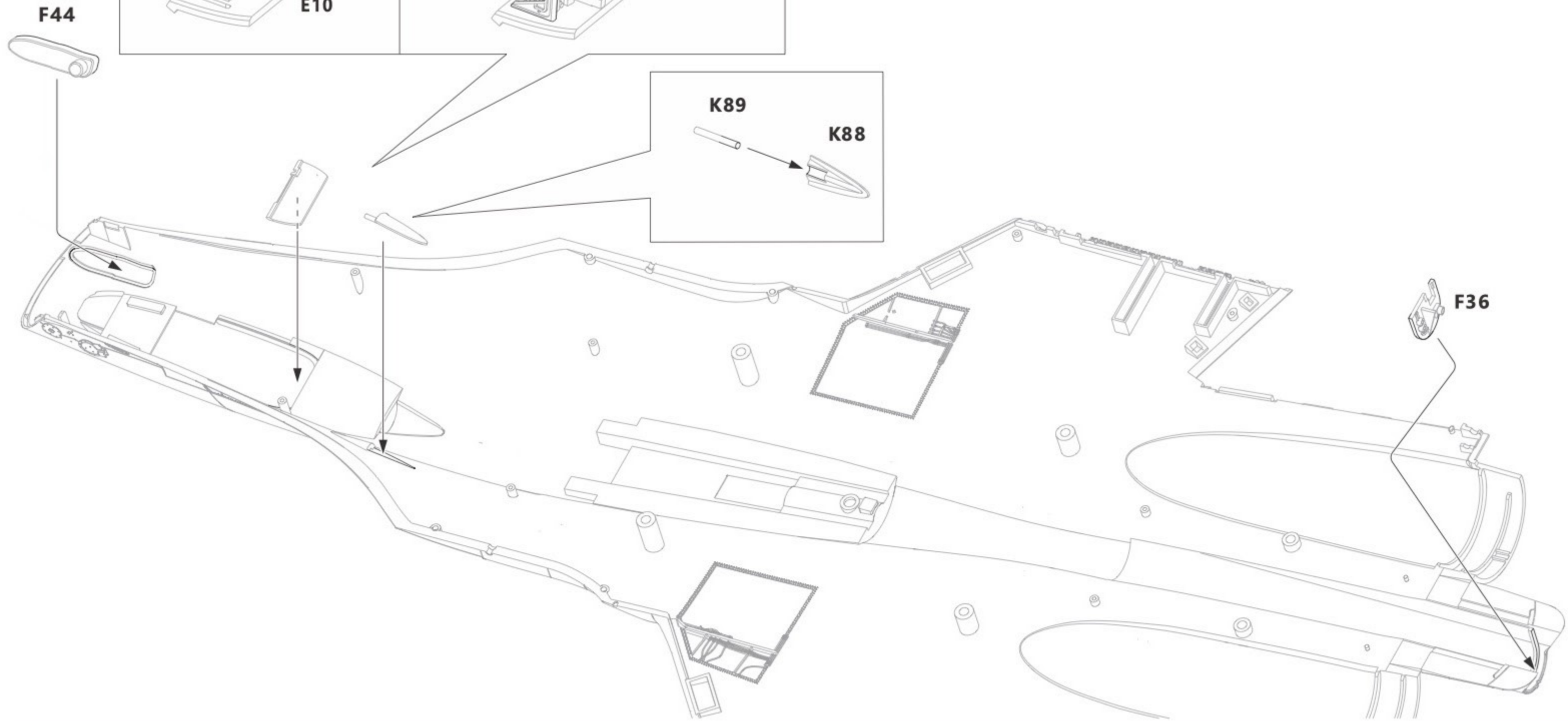
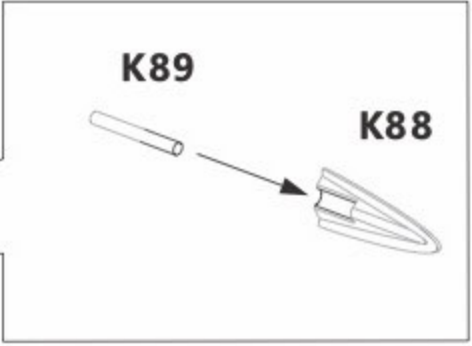
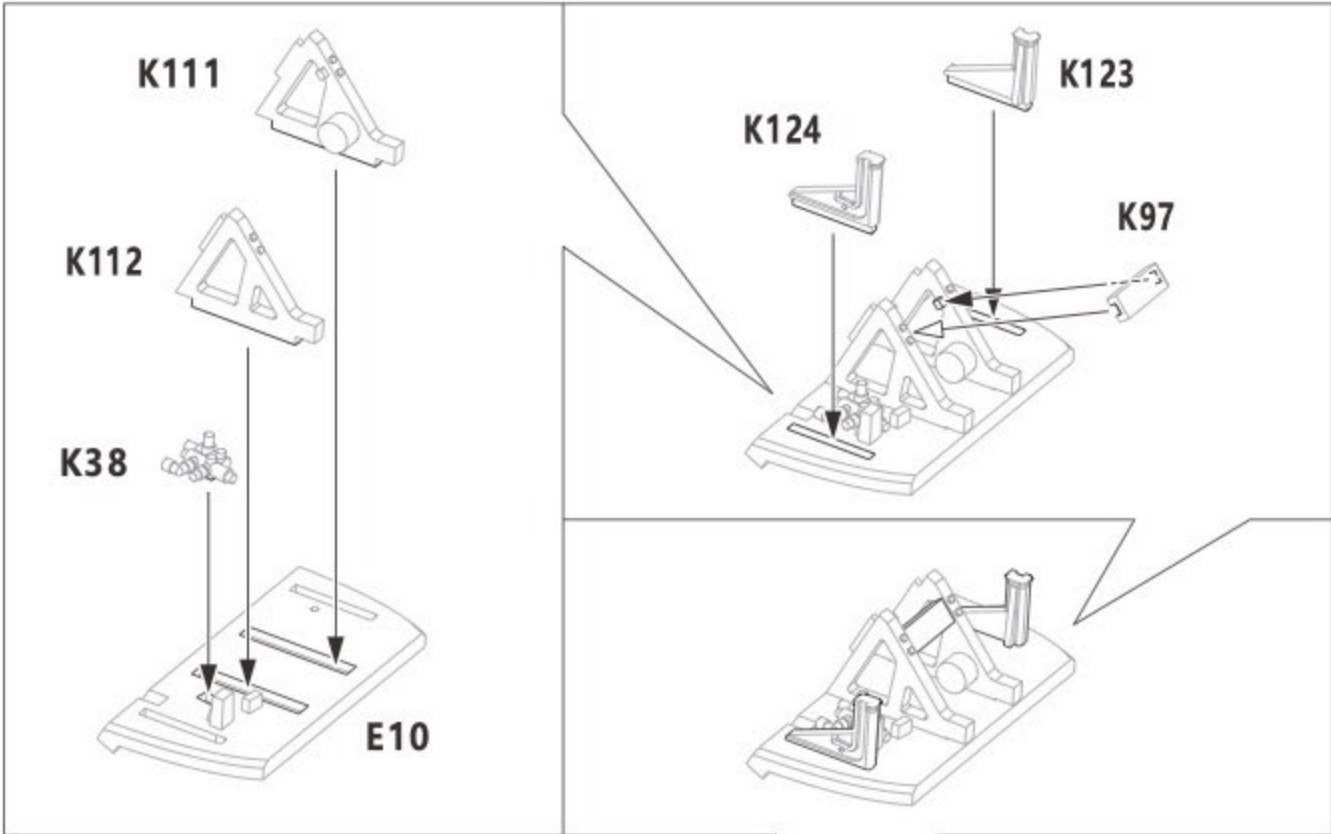


# 展翼 L (Wing Spread)

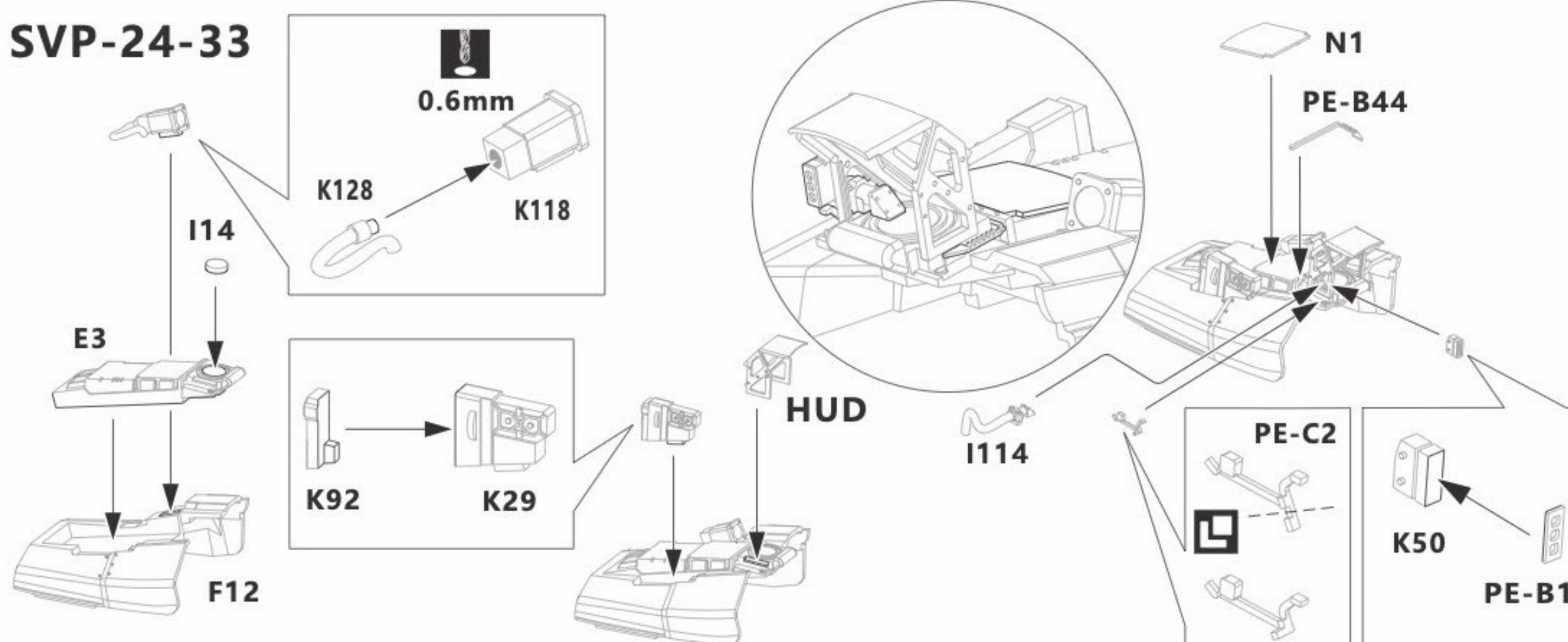
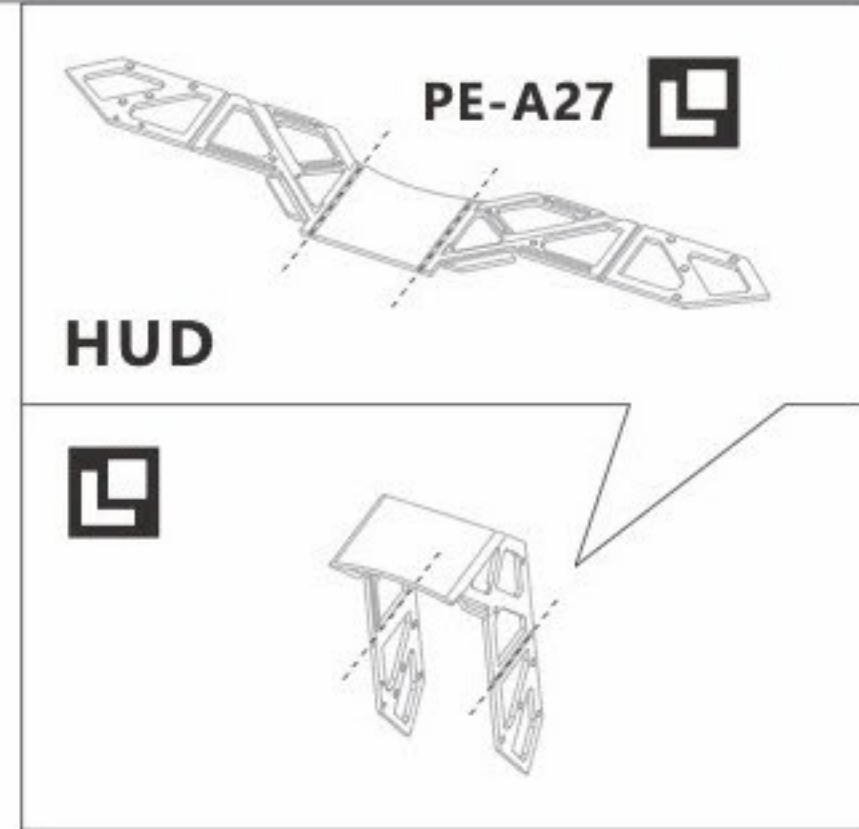
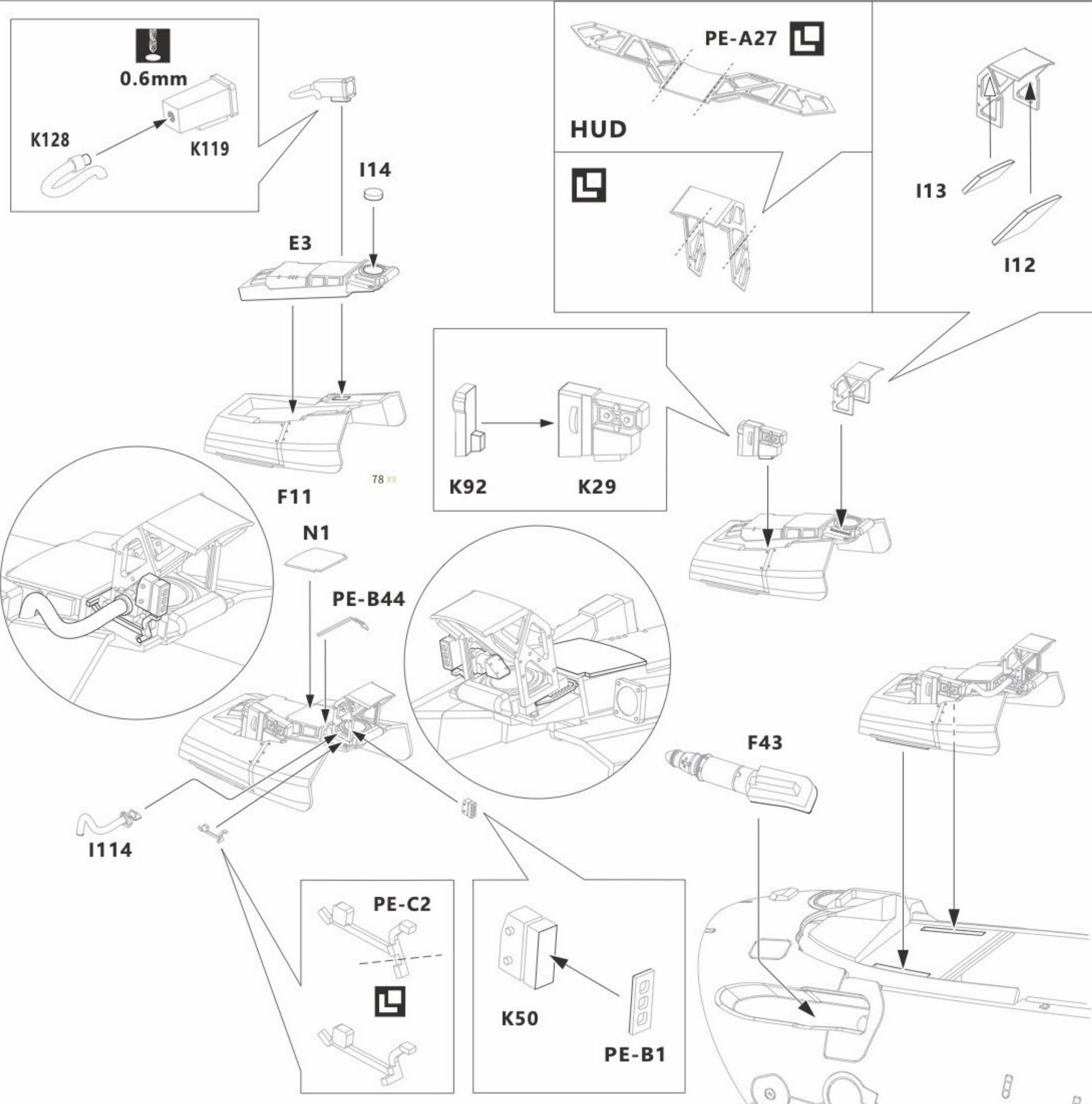


# 展翼 R (Wing Spread)

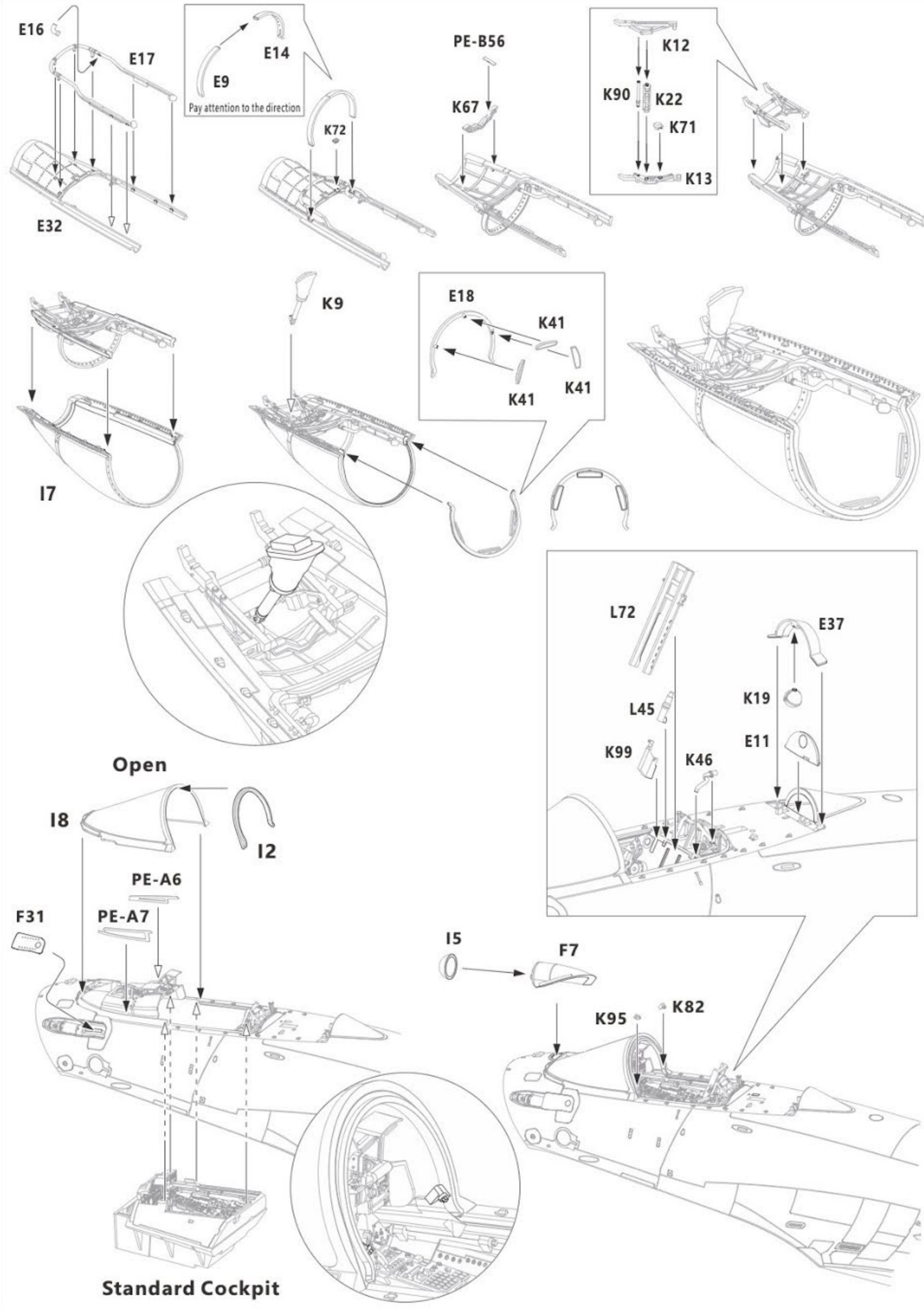




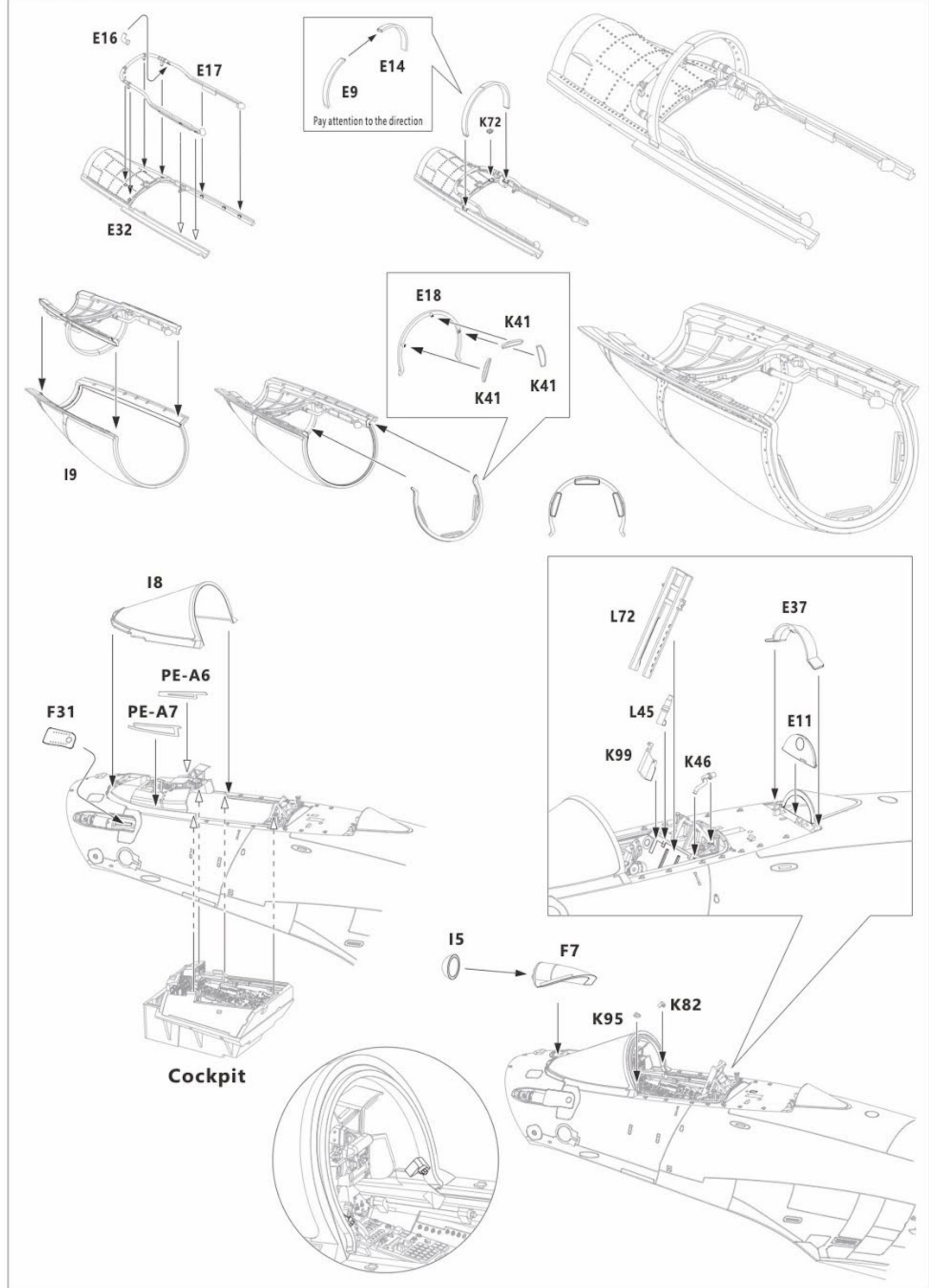
# Glare shields & HUD



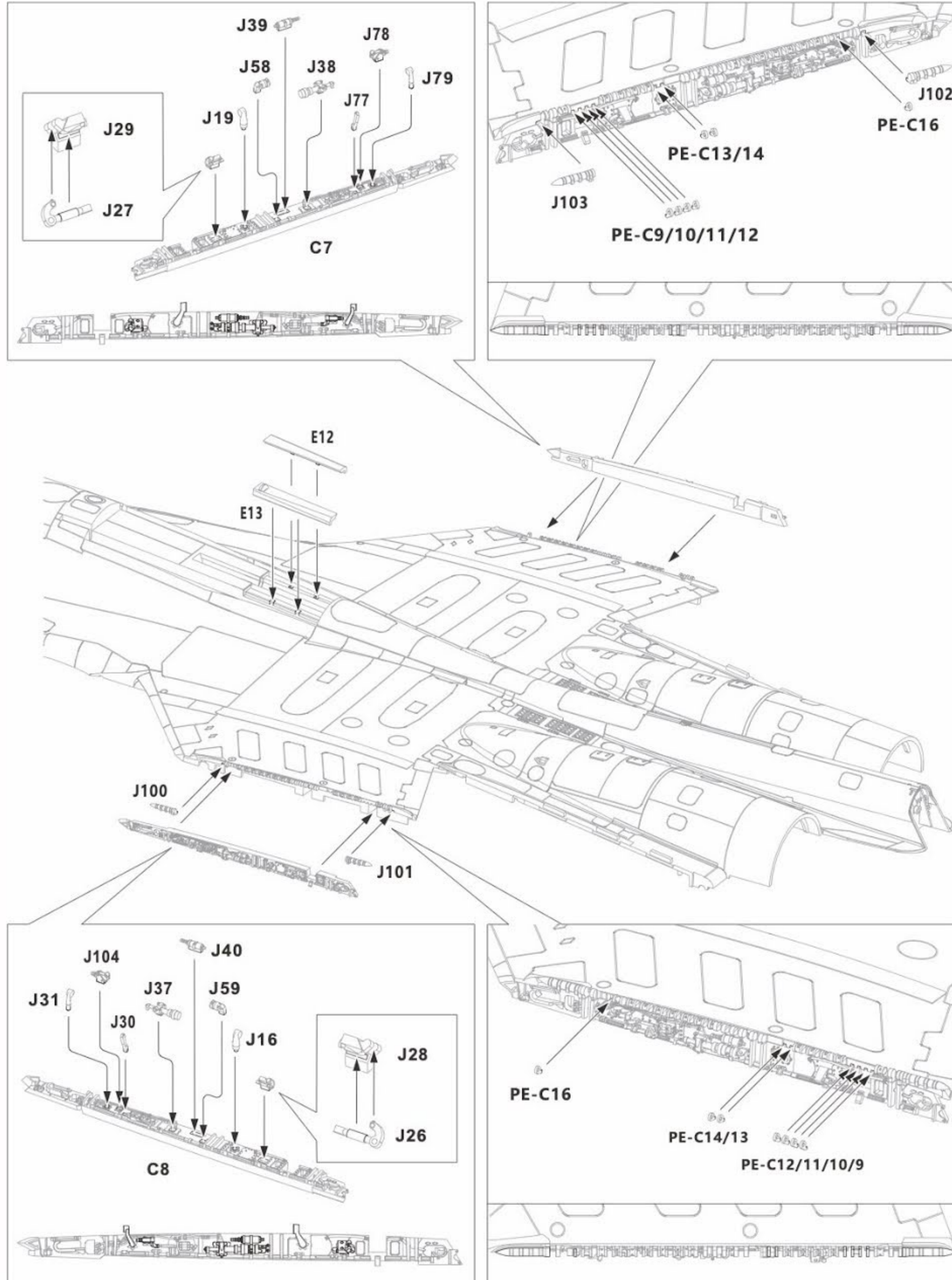
# Canopy



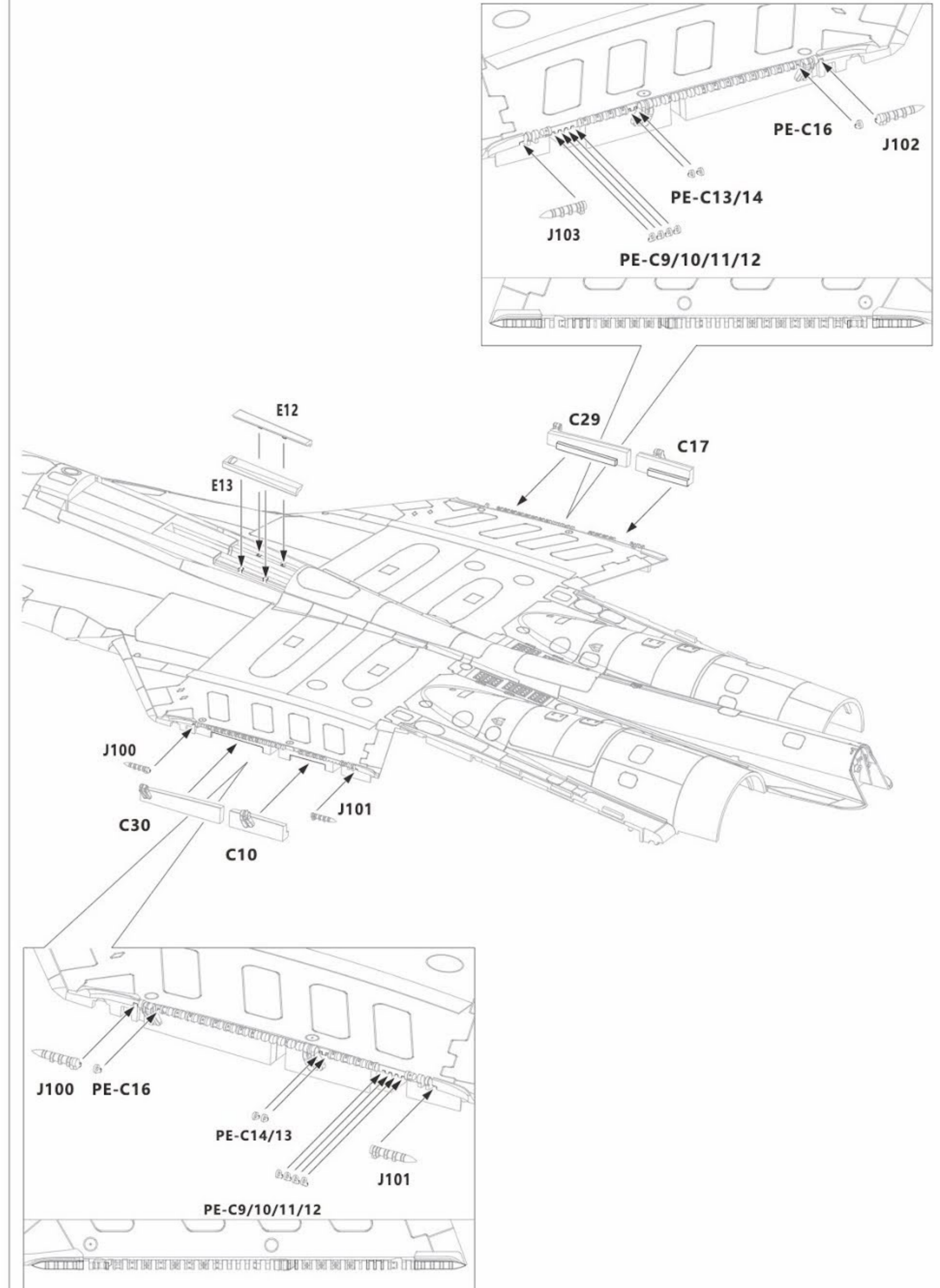
# Close

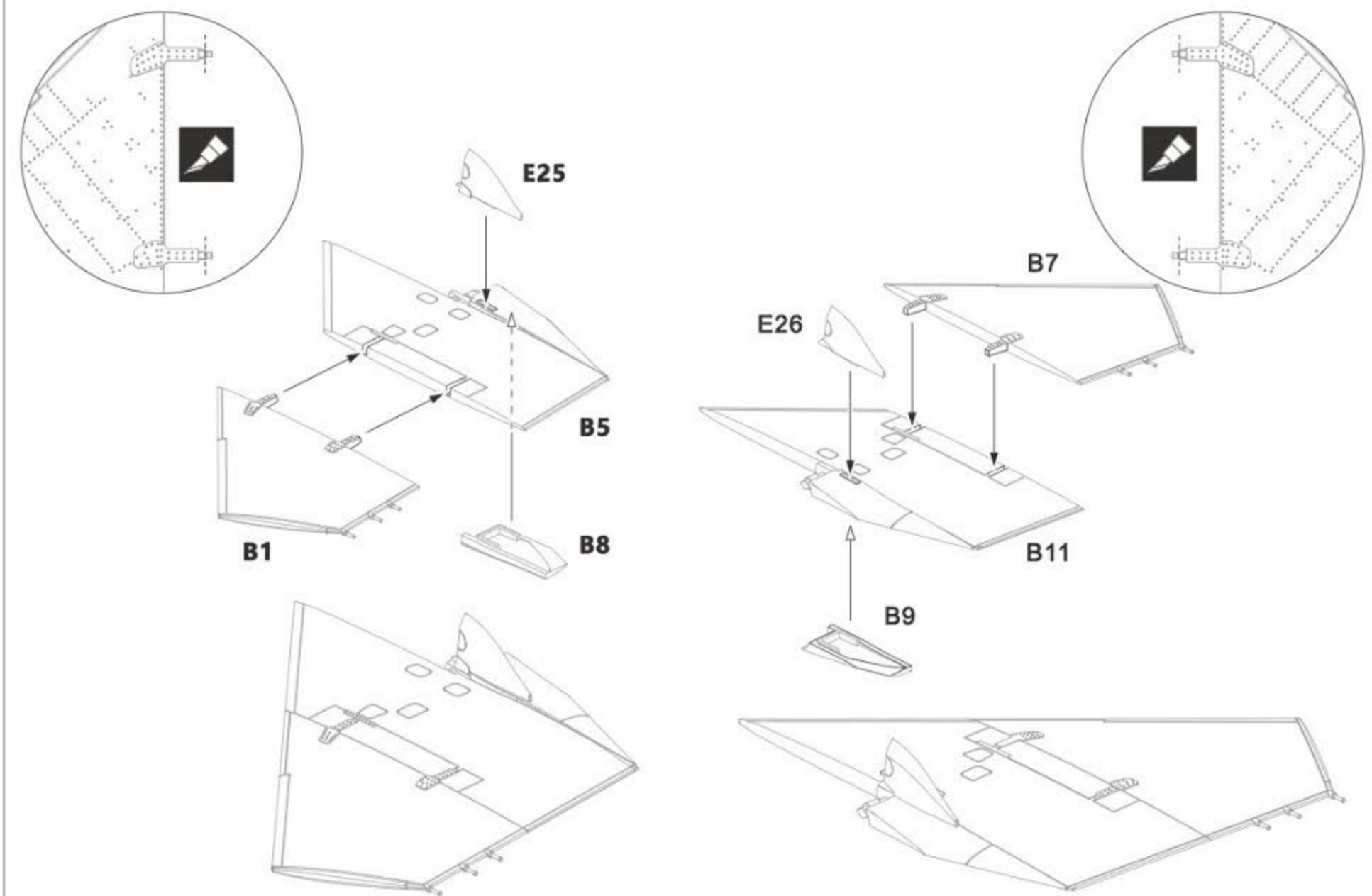
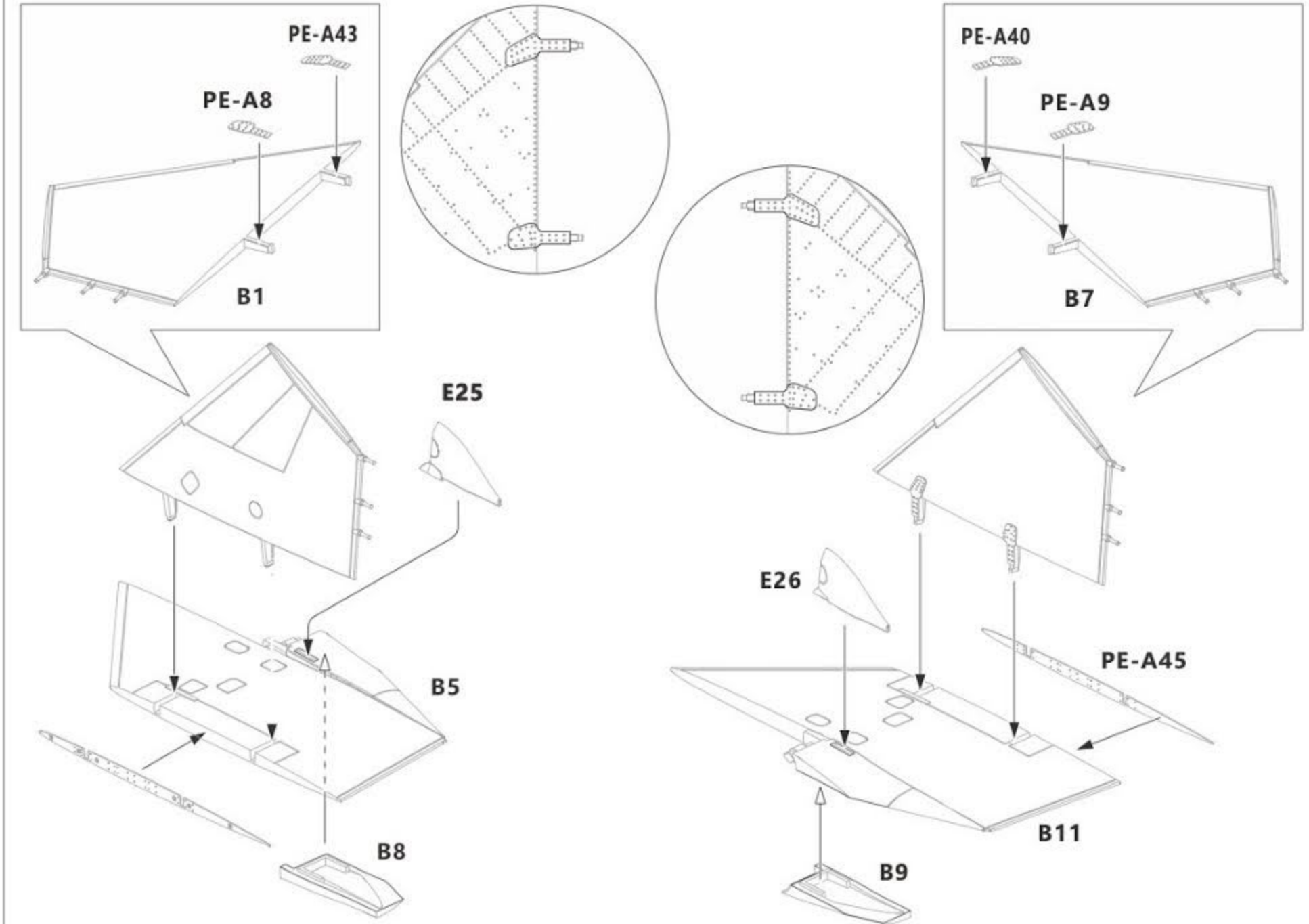
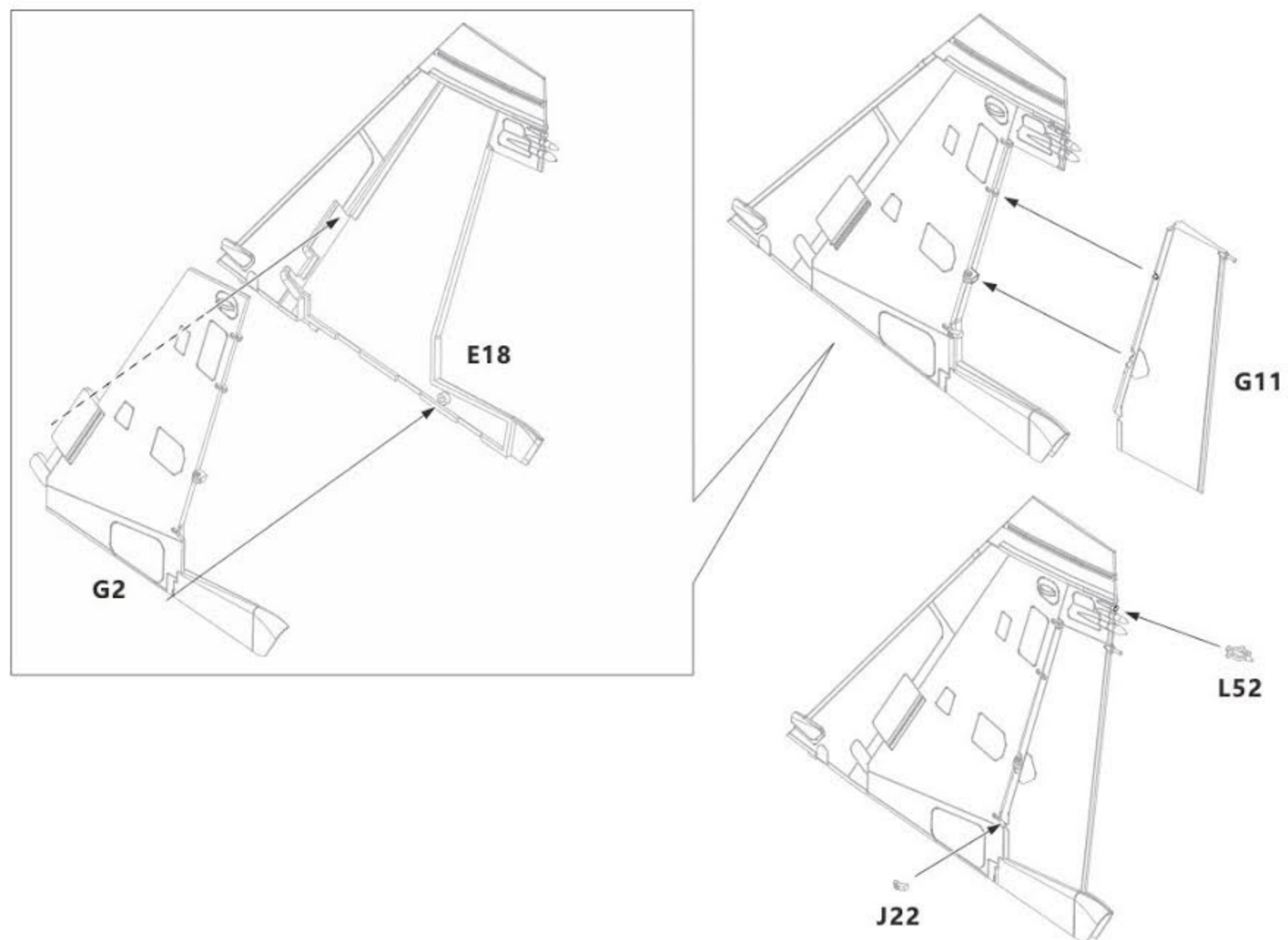
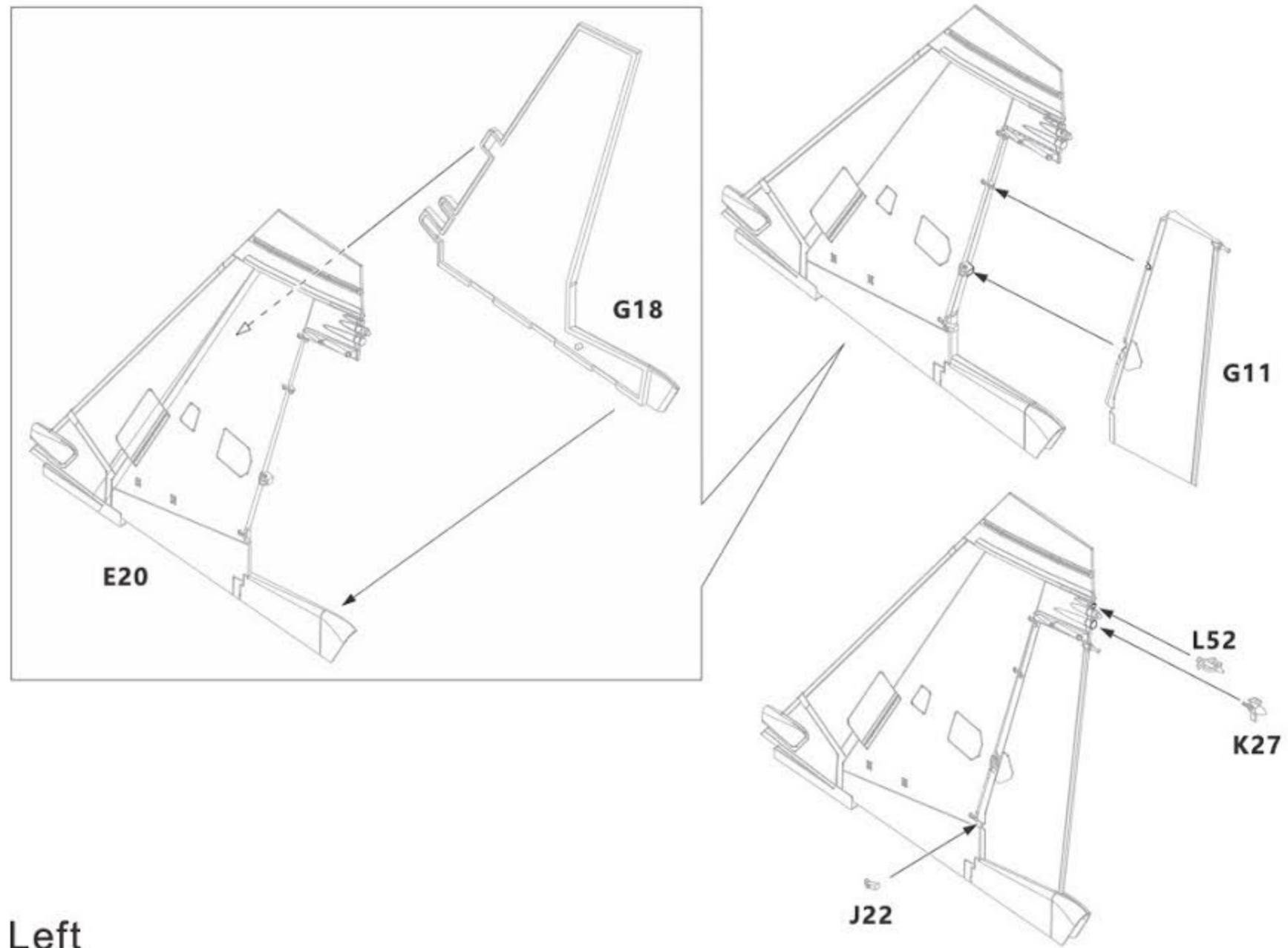


# 折翼 (Folded Wing)

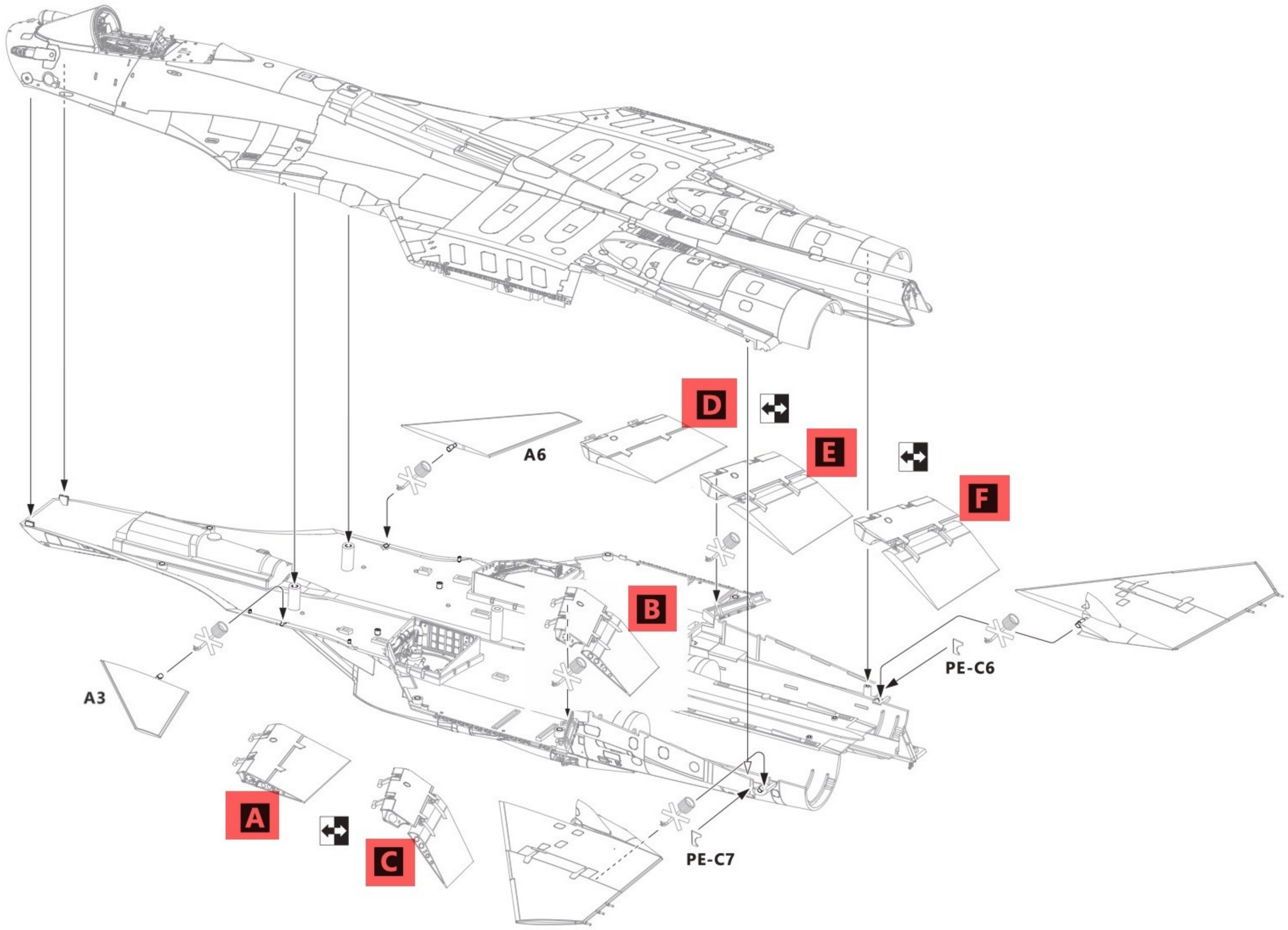


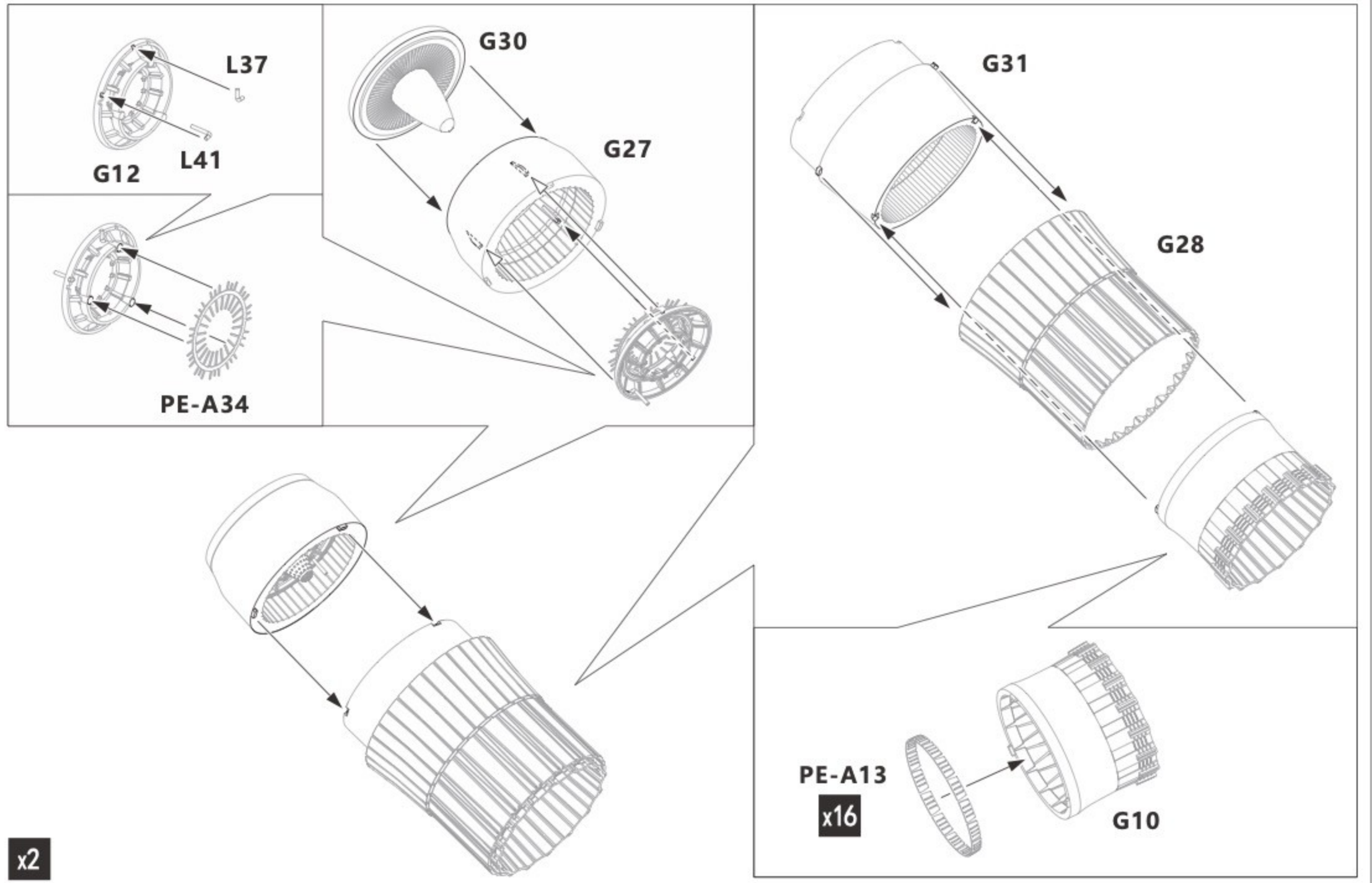
# 展翼 (Wing Spread)



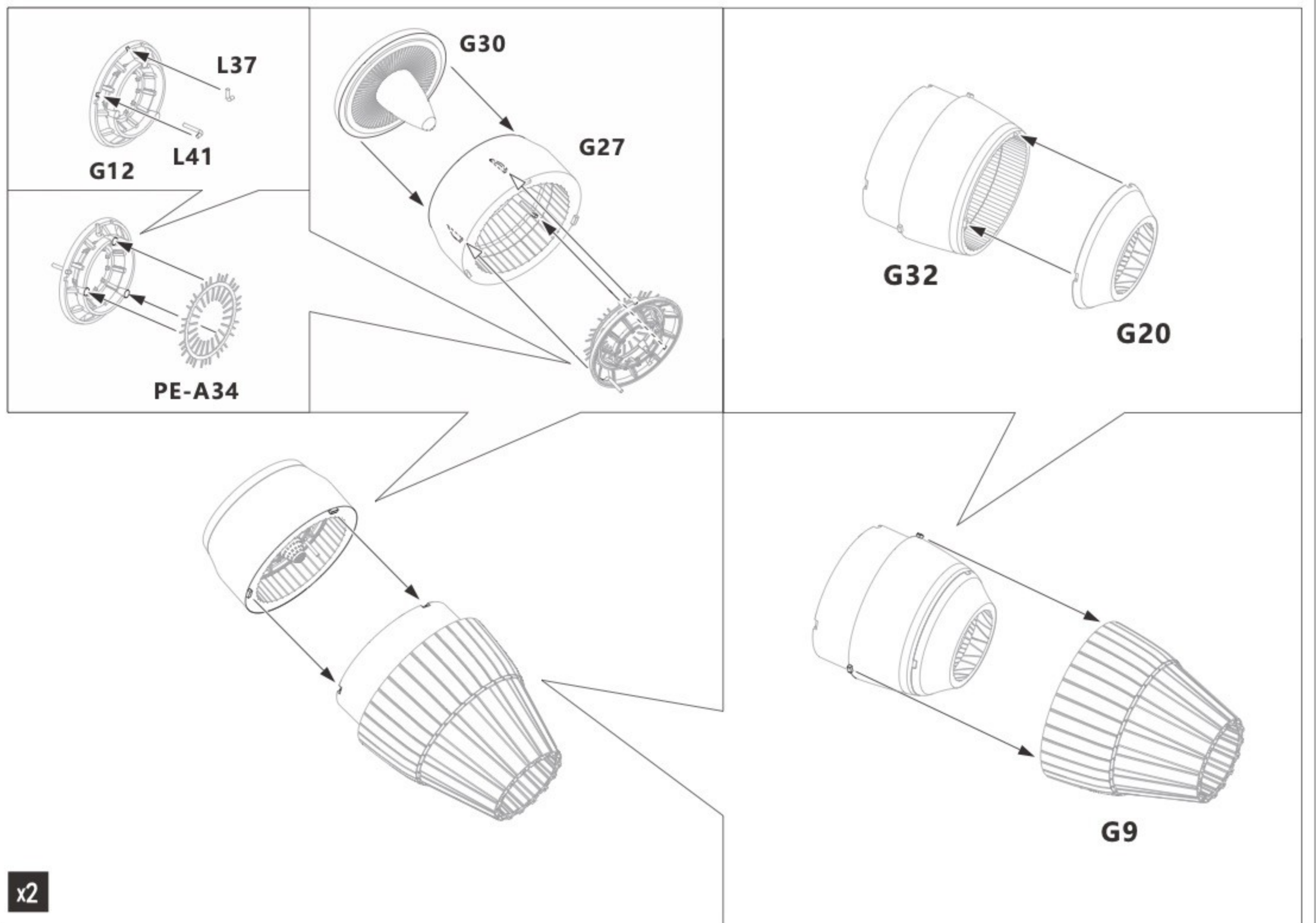








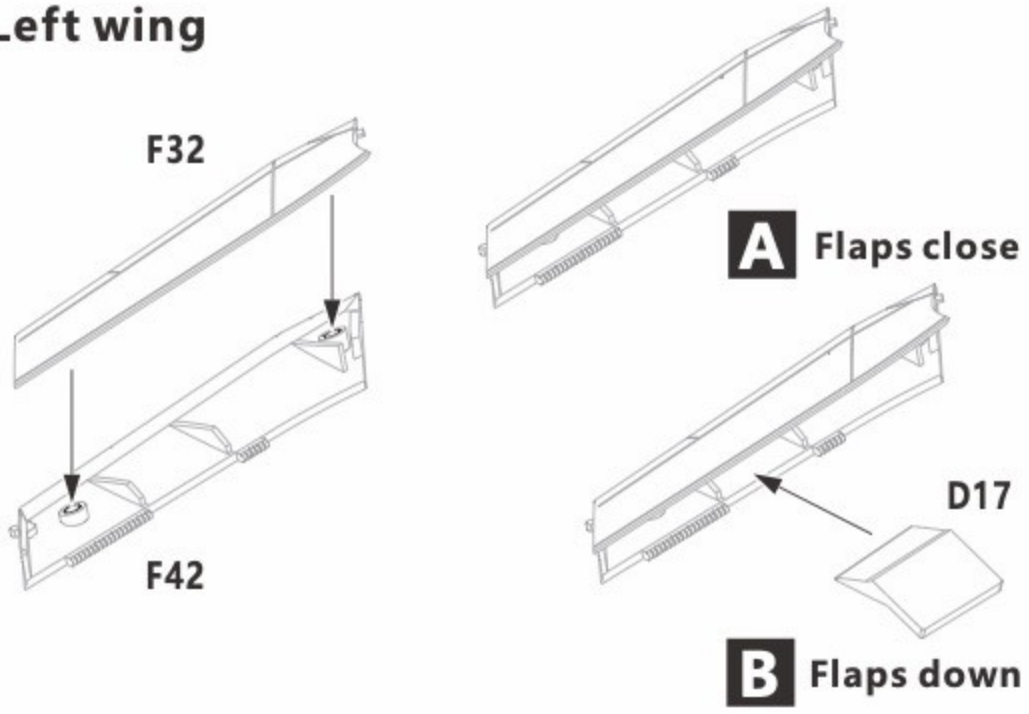
x2



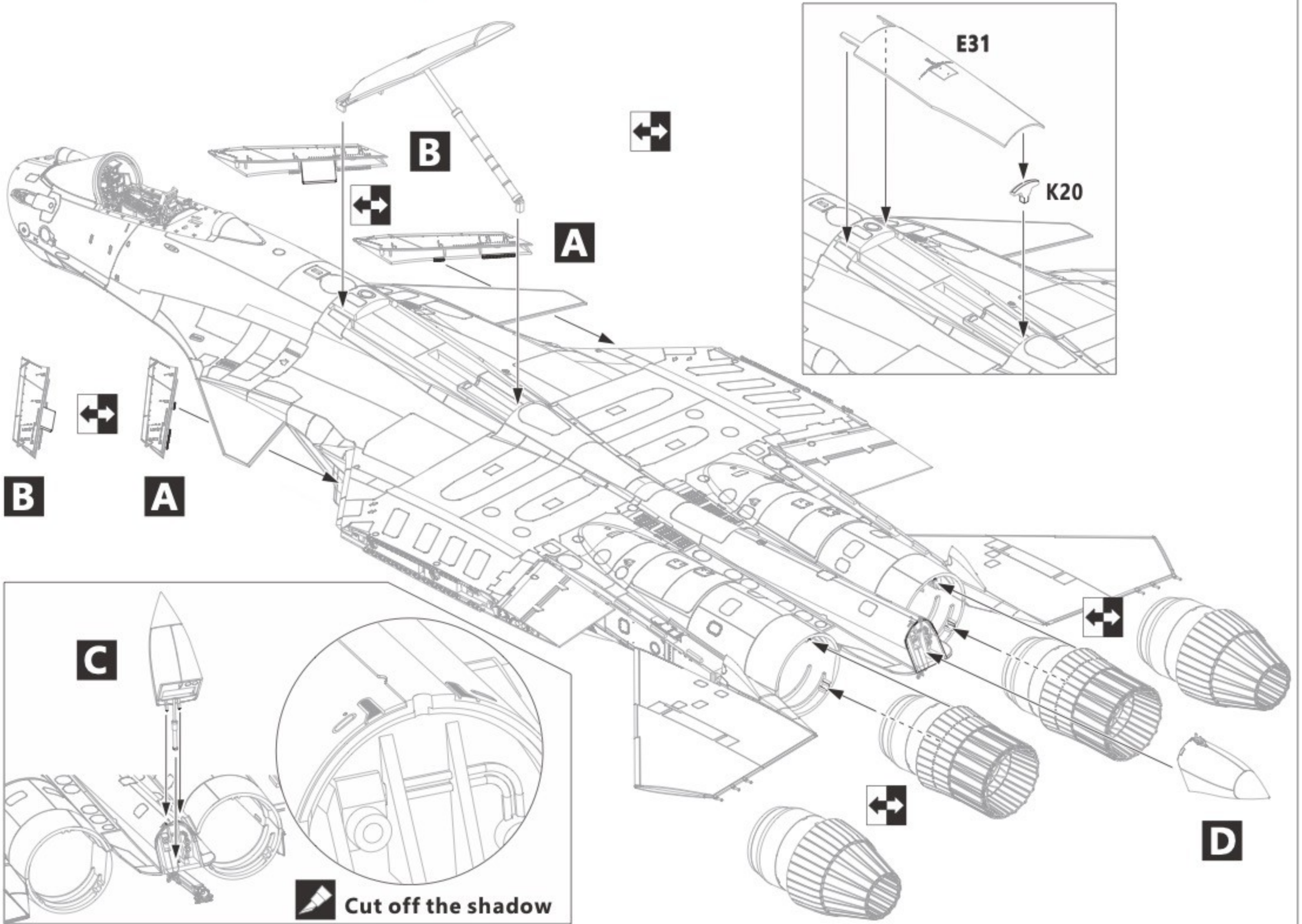
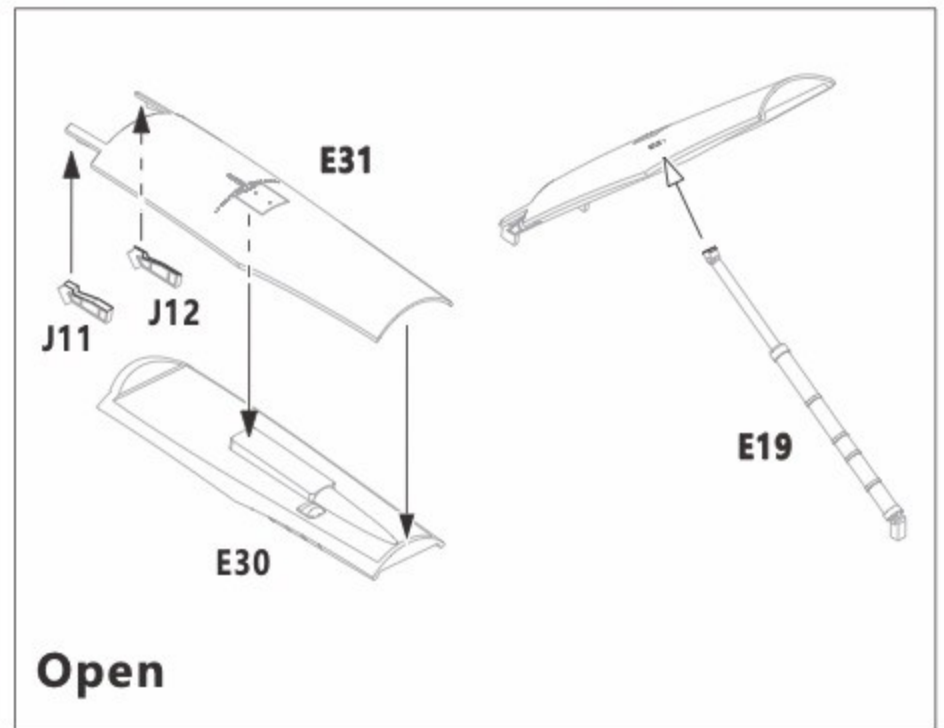
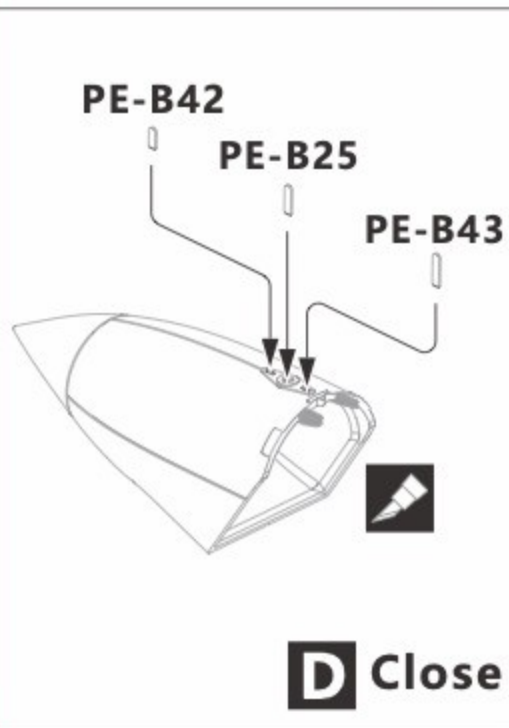
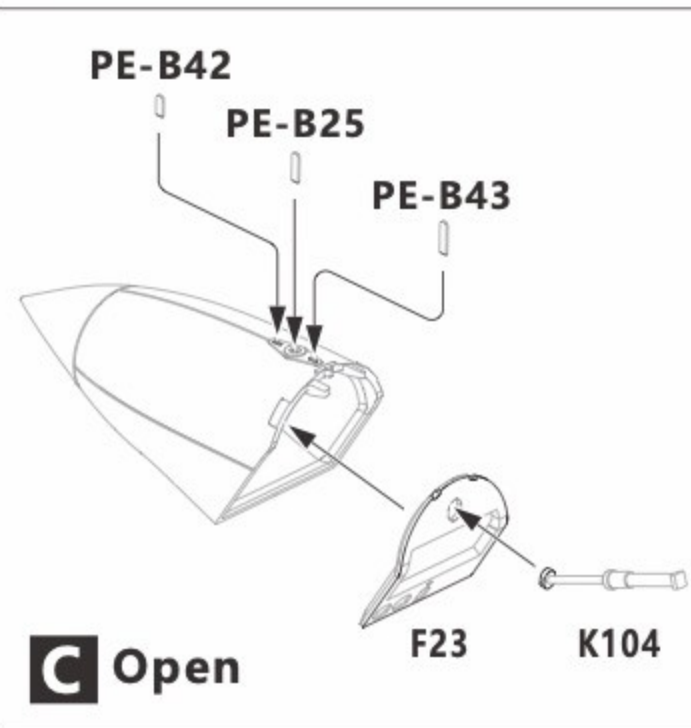
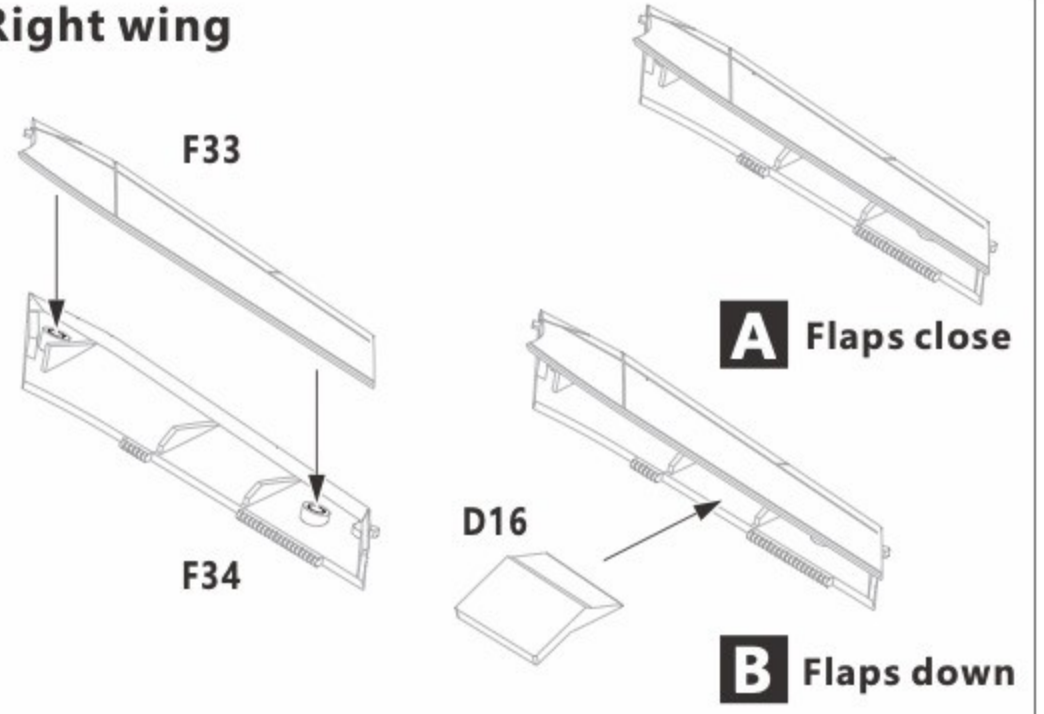
x2

# Leading edge flaps

## Left wing

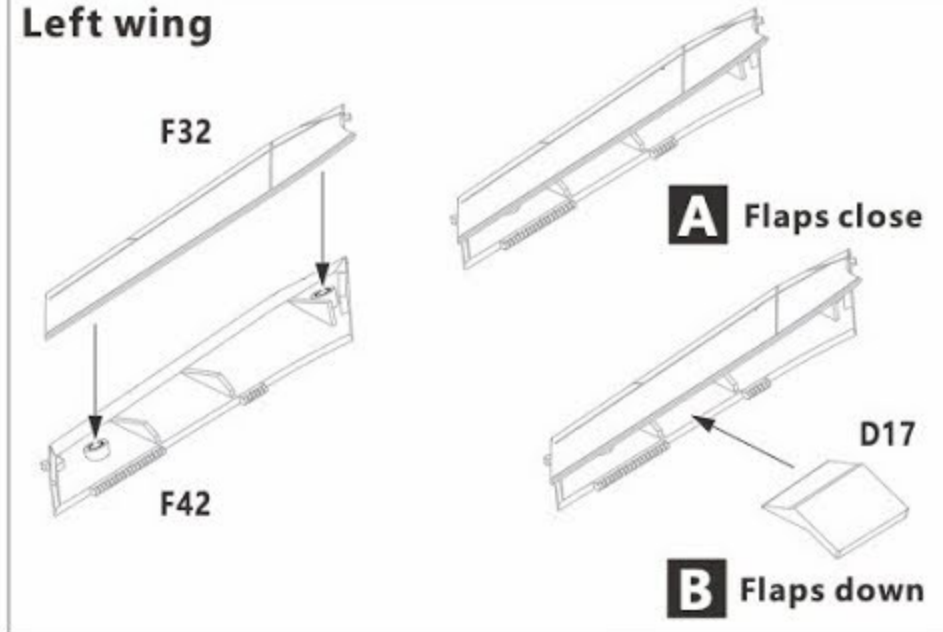


## Right wing

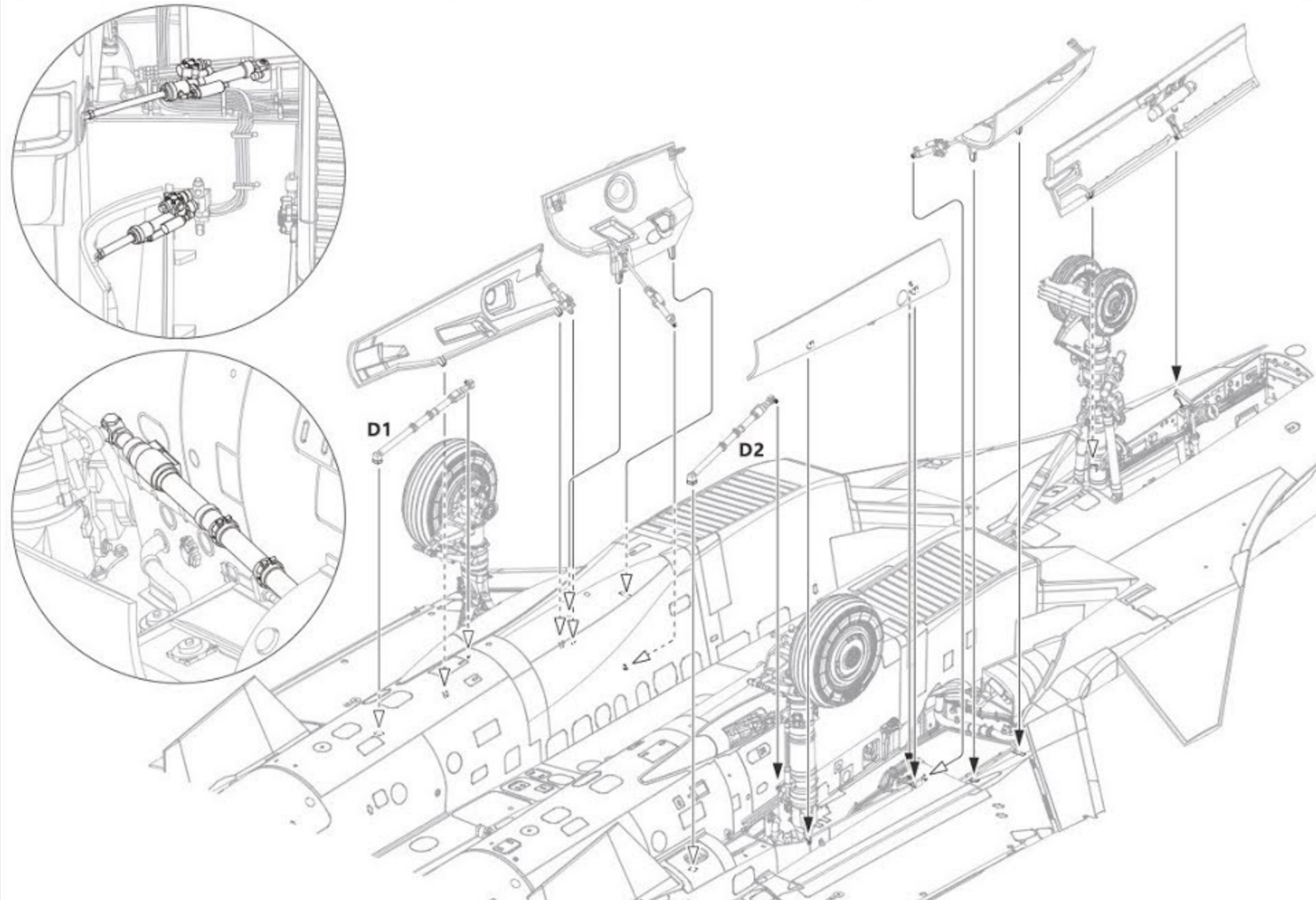
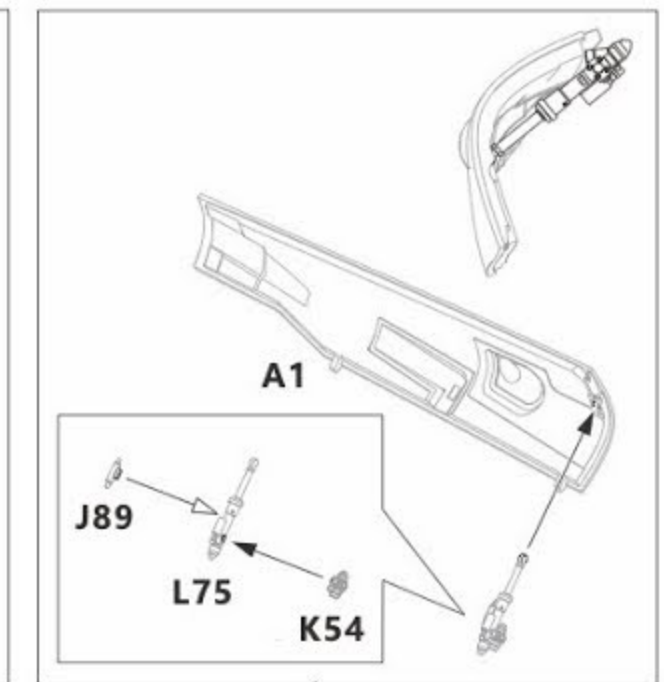
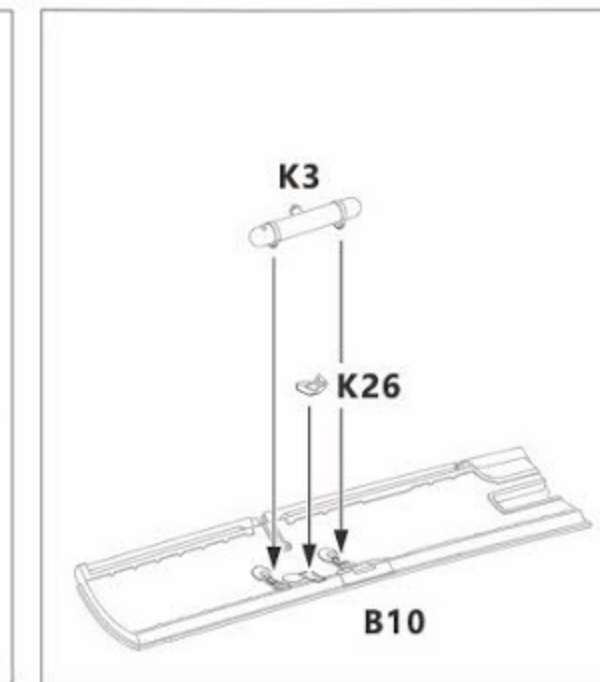
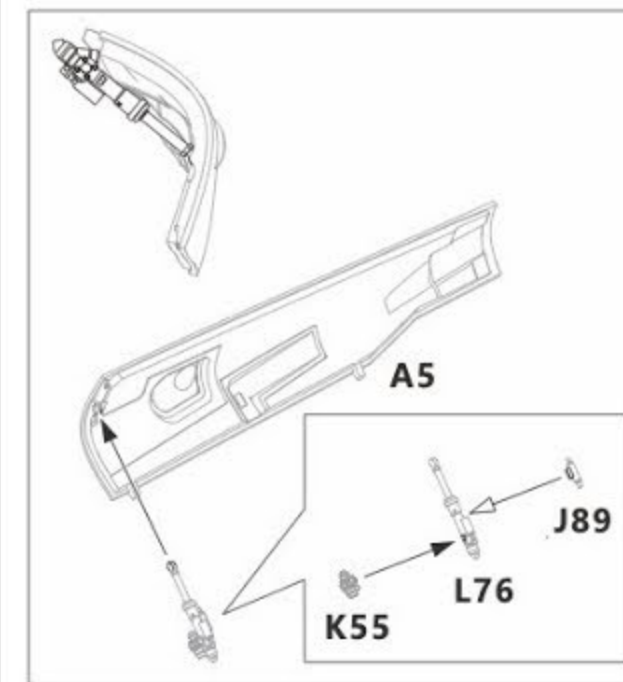
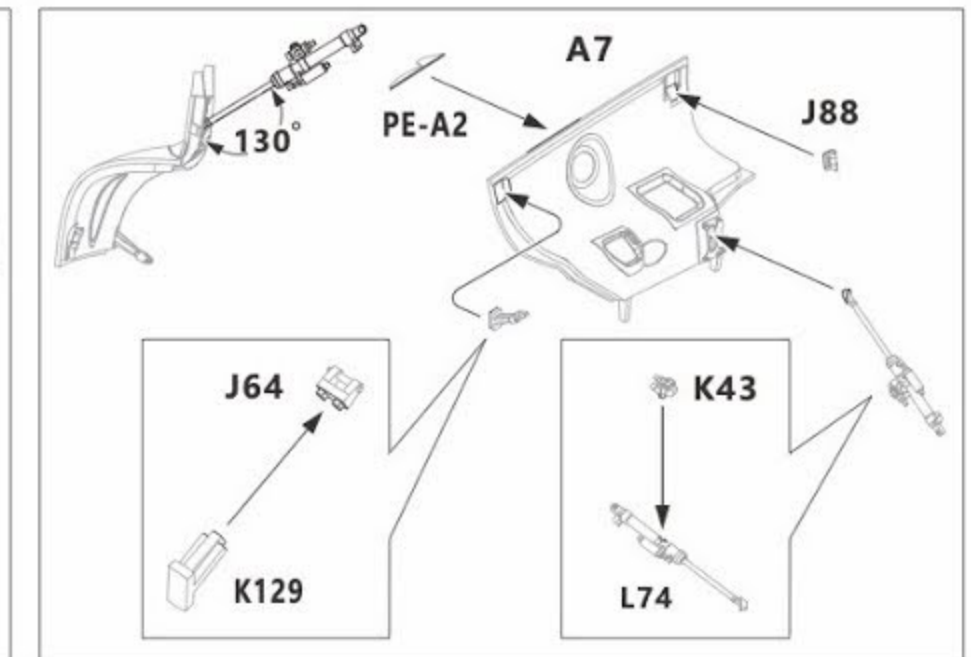
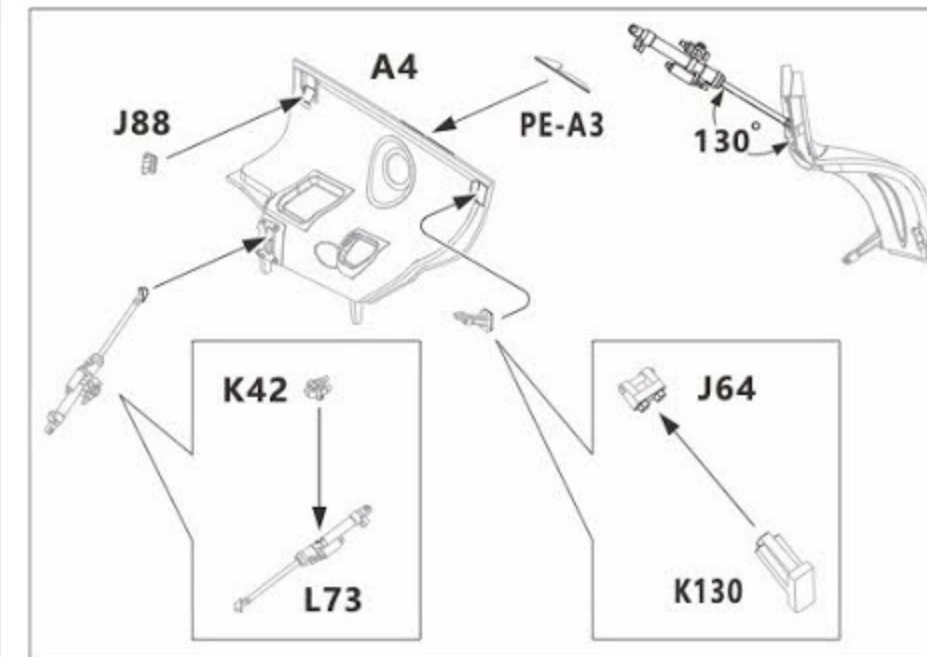
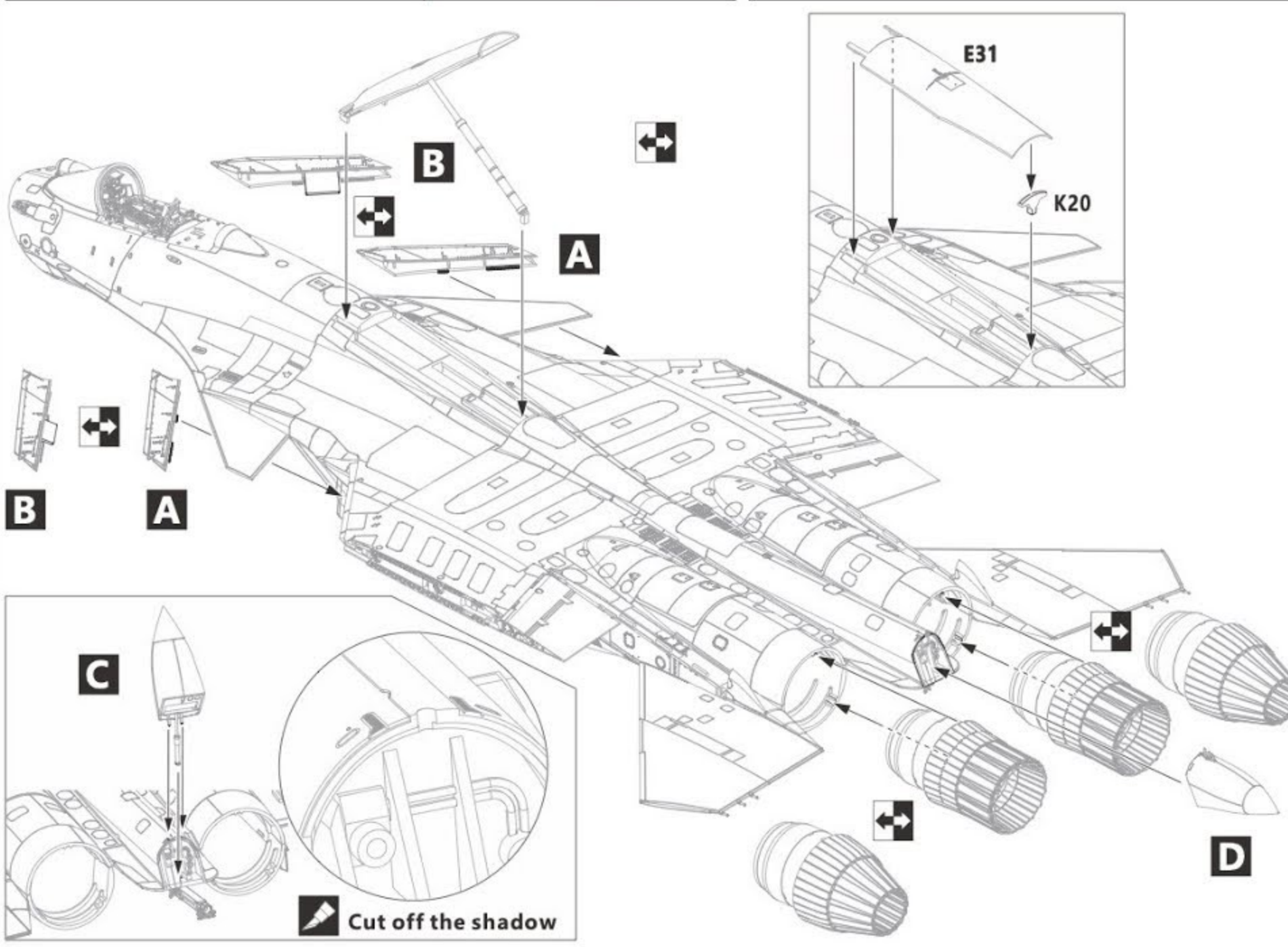
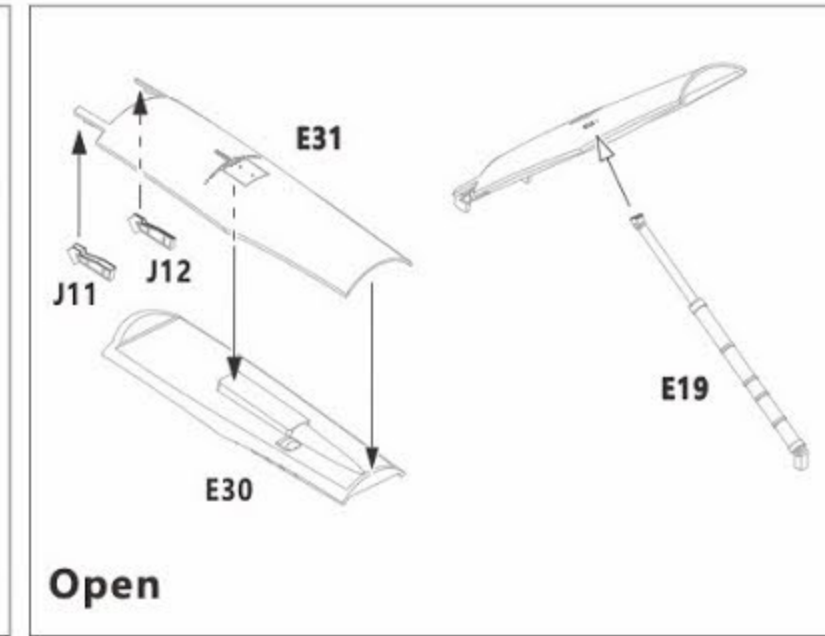
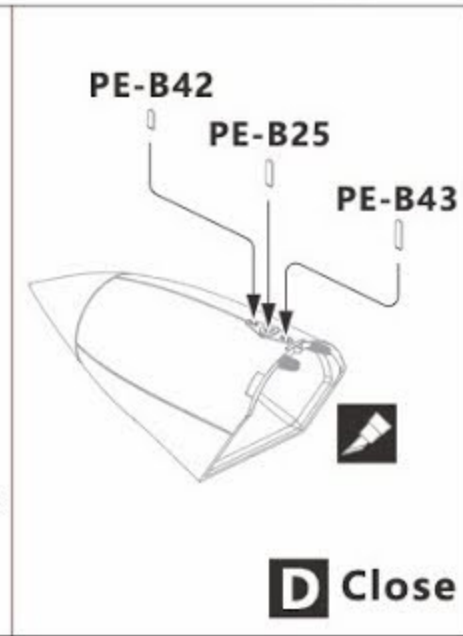
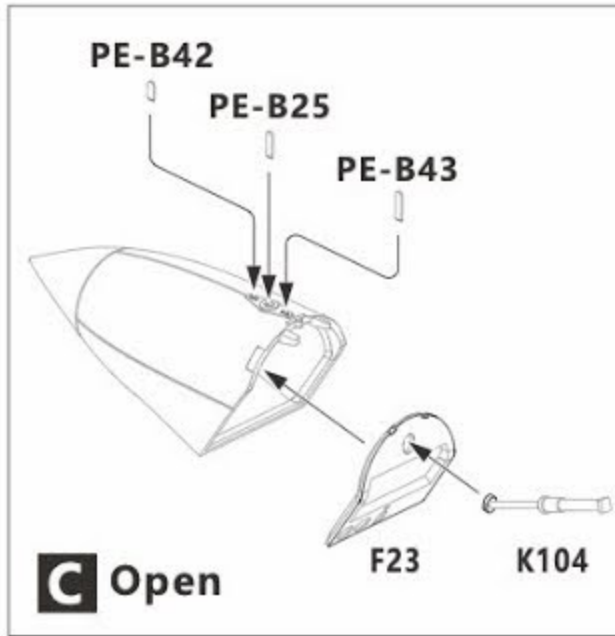
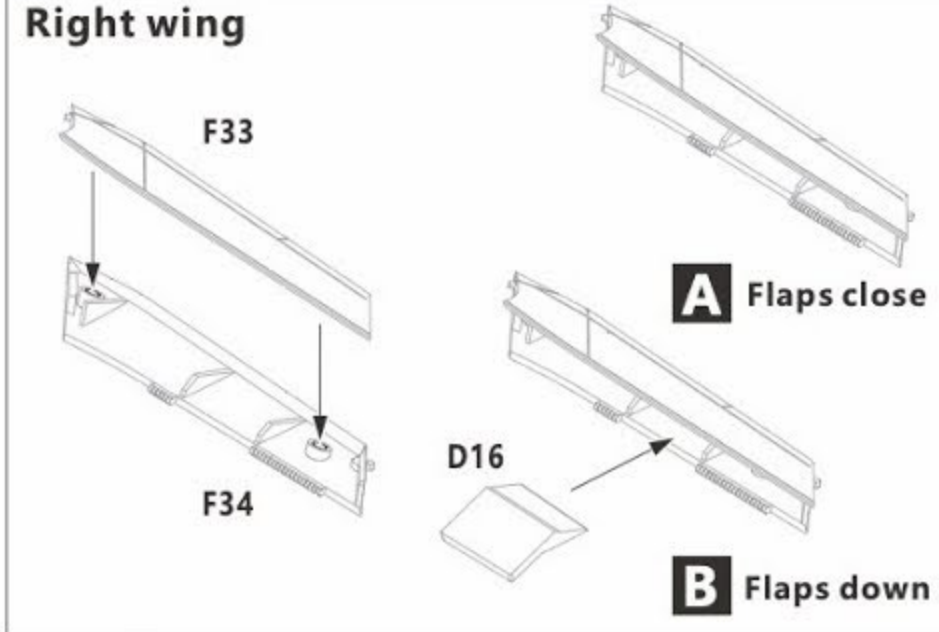


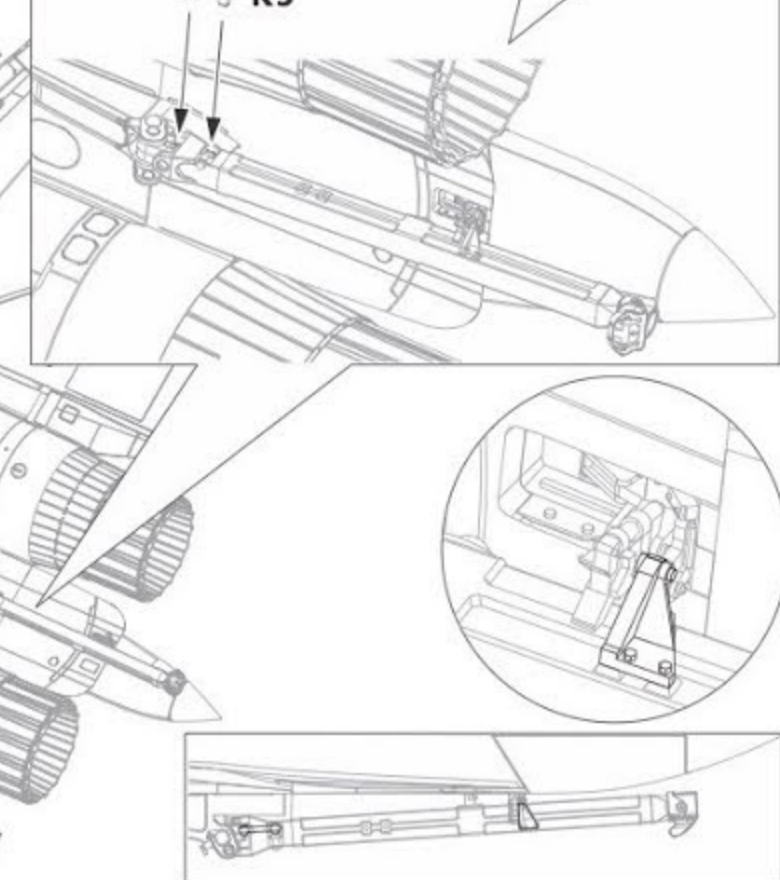
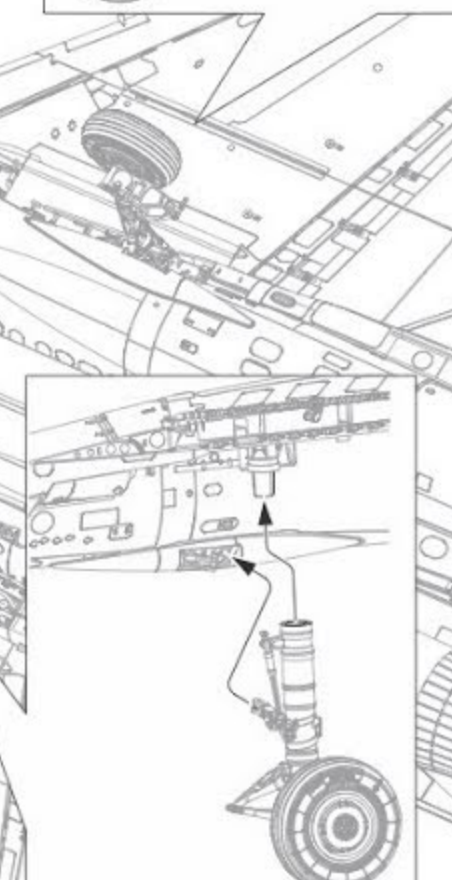
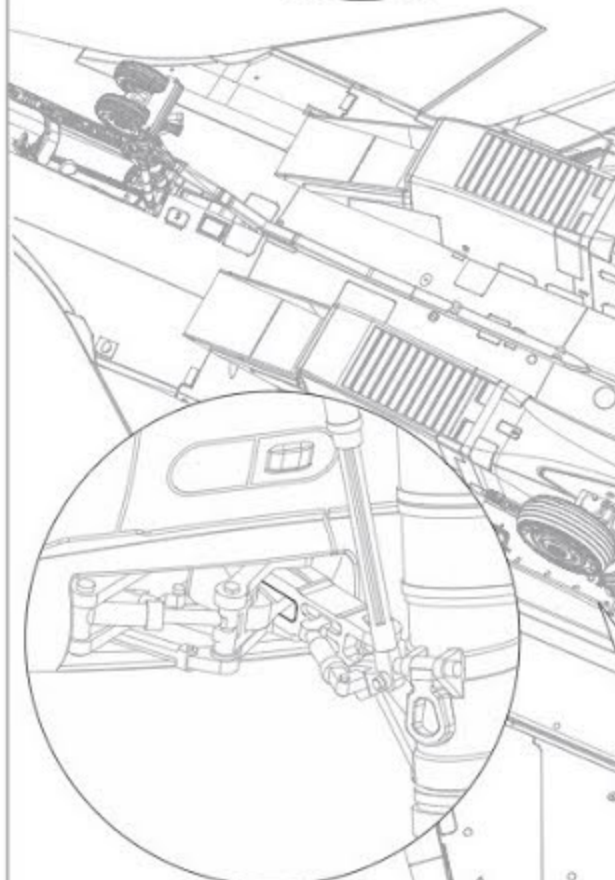
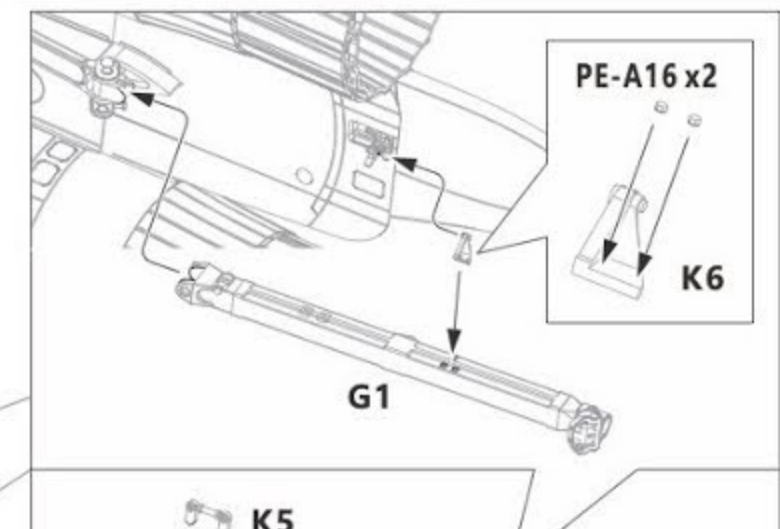
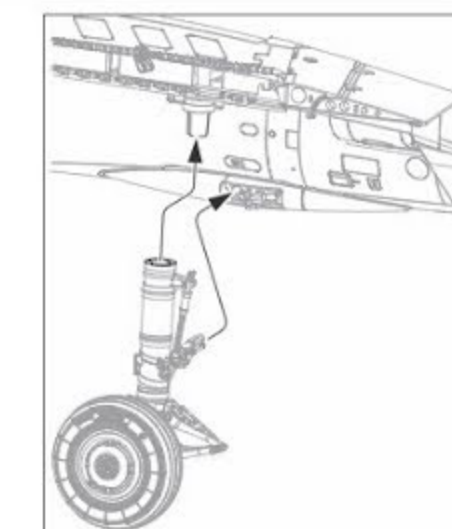
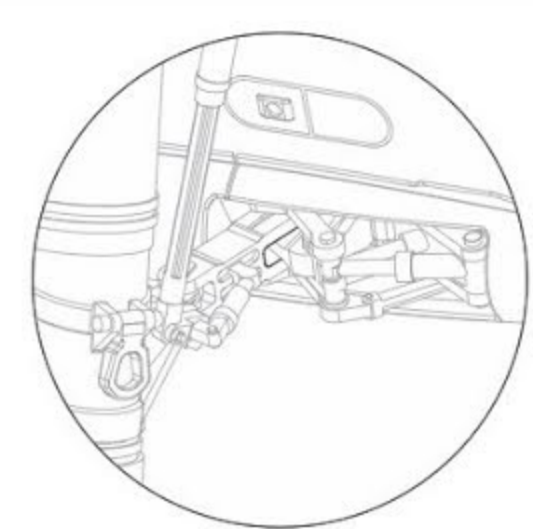
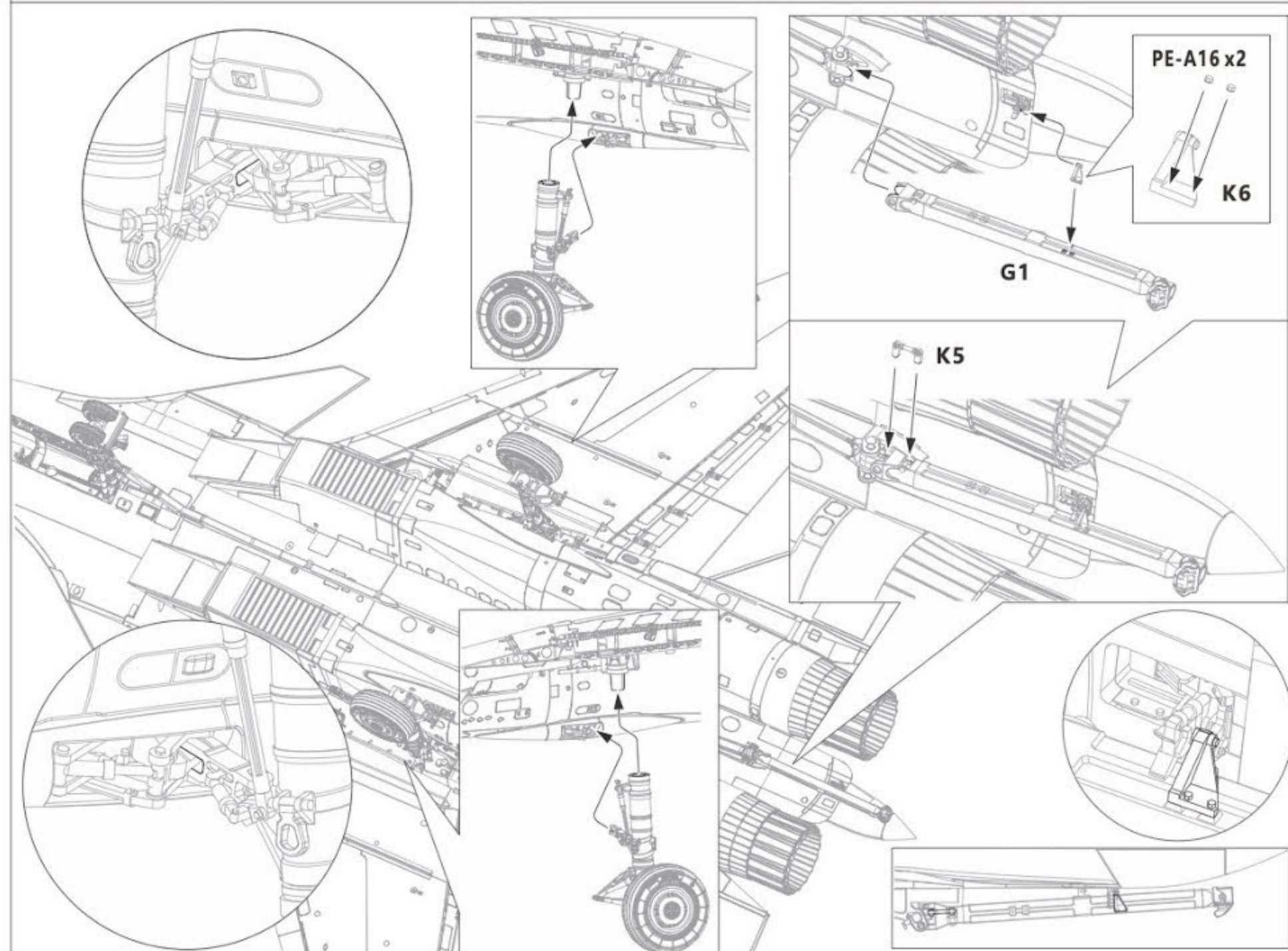
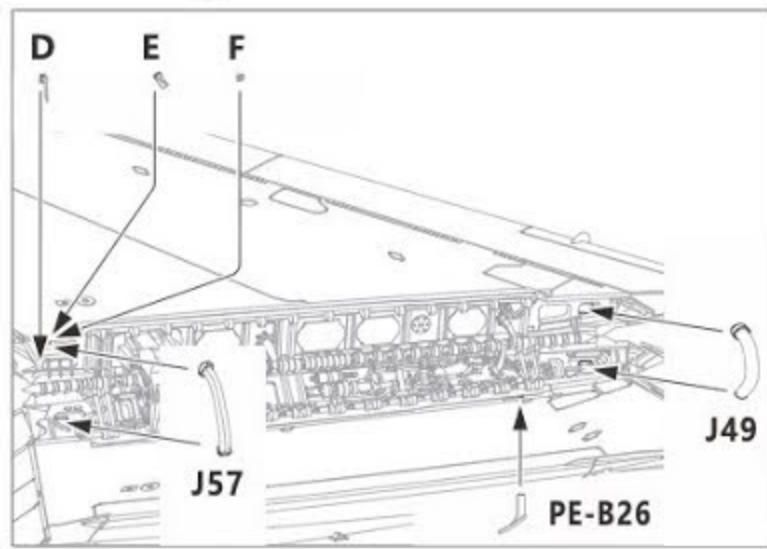
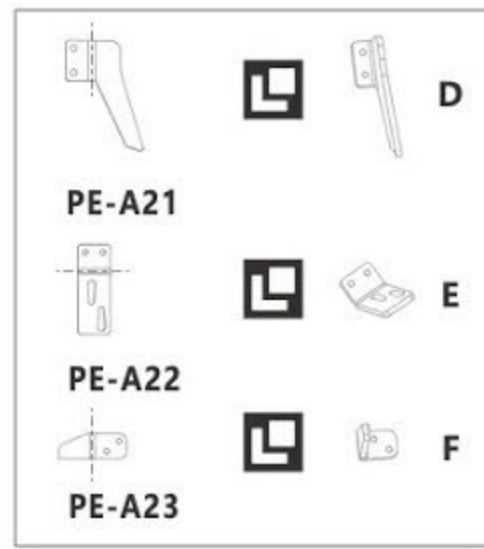
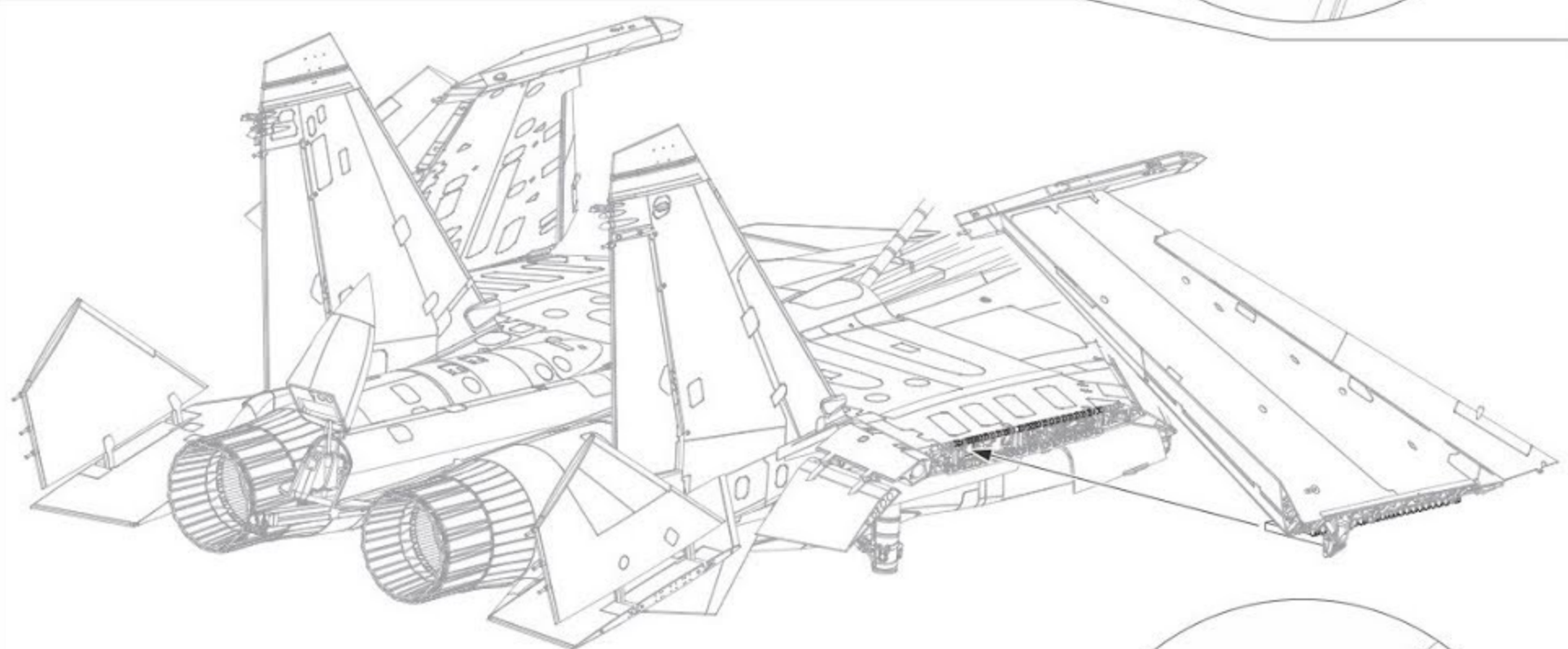
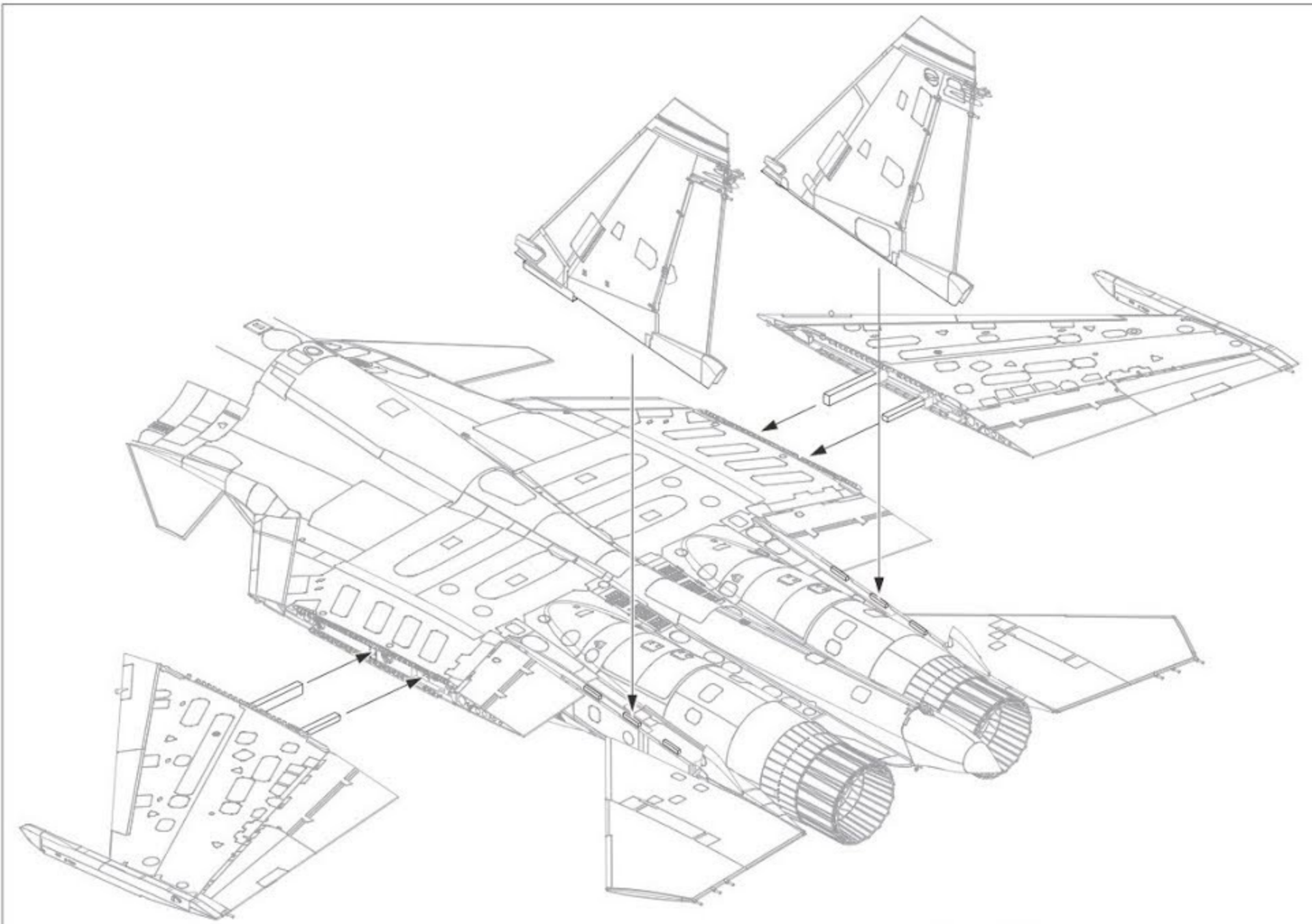
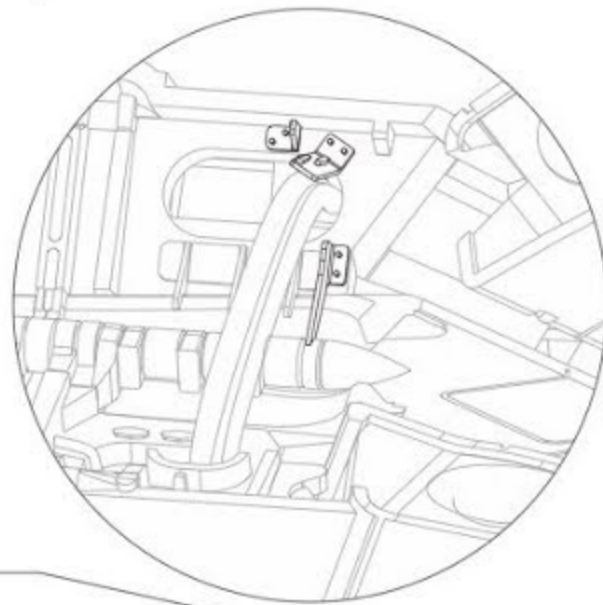
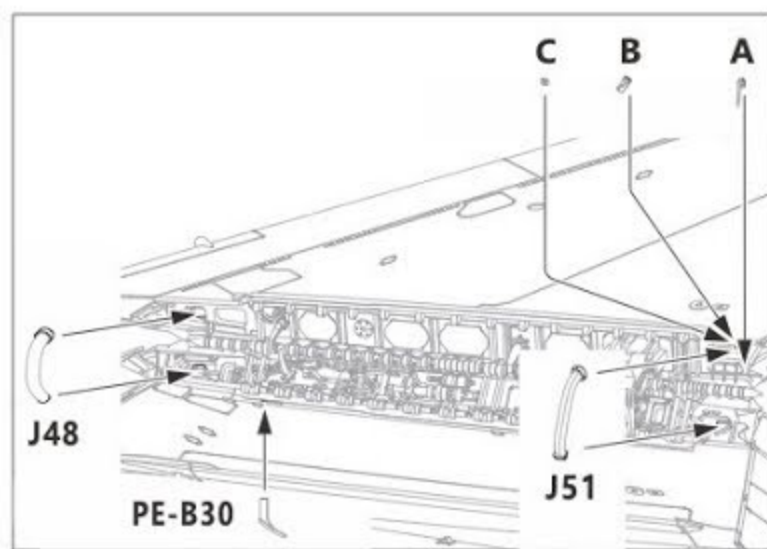
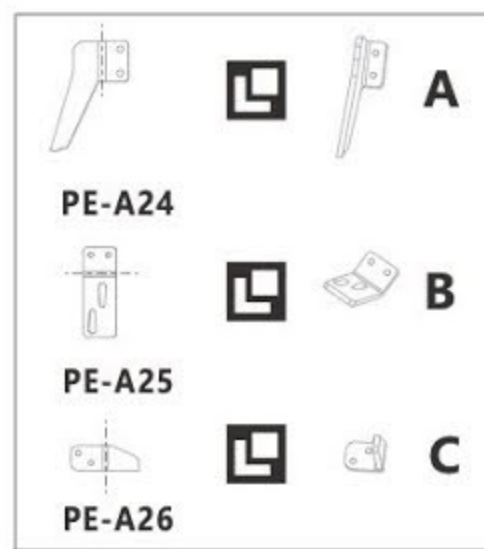
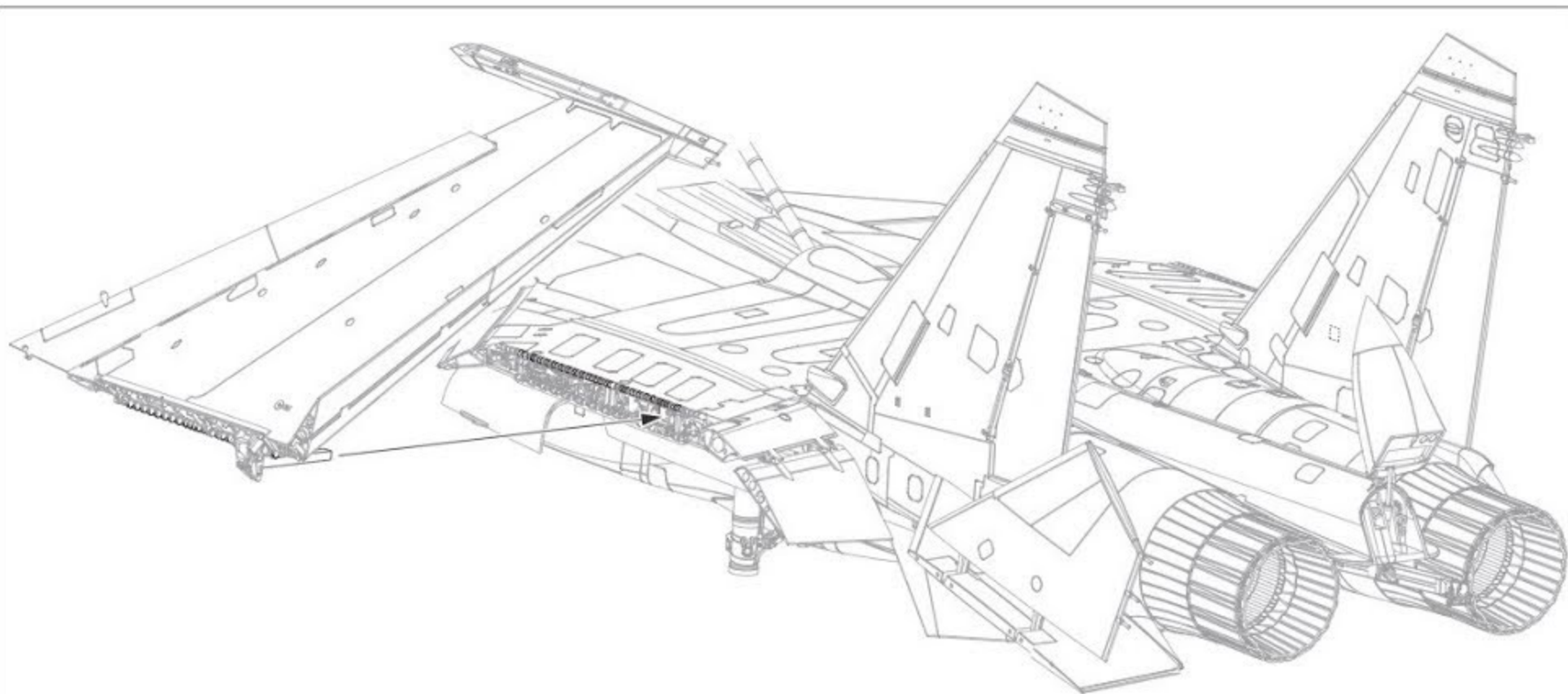
# Leading edge flaps

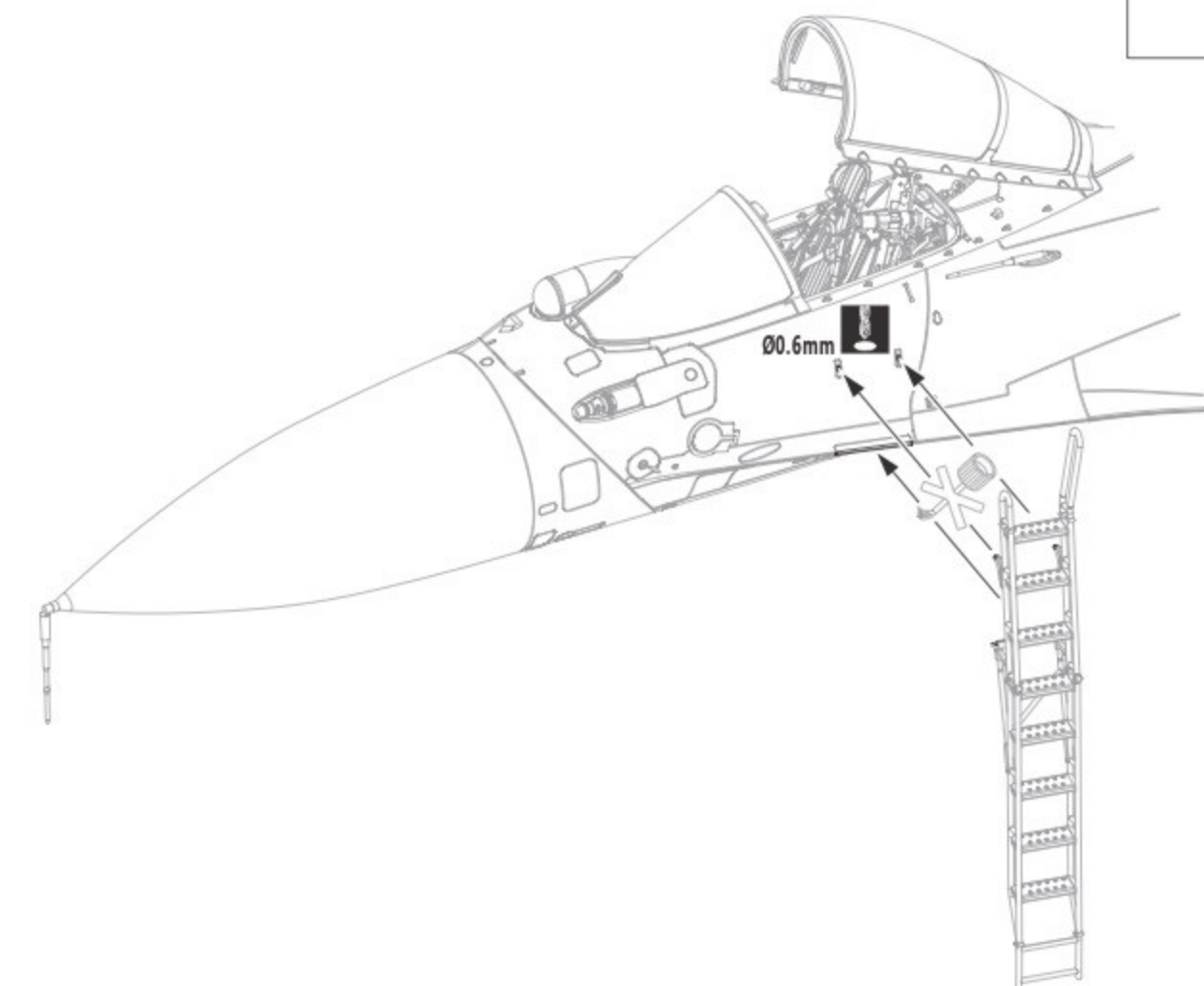
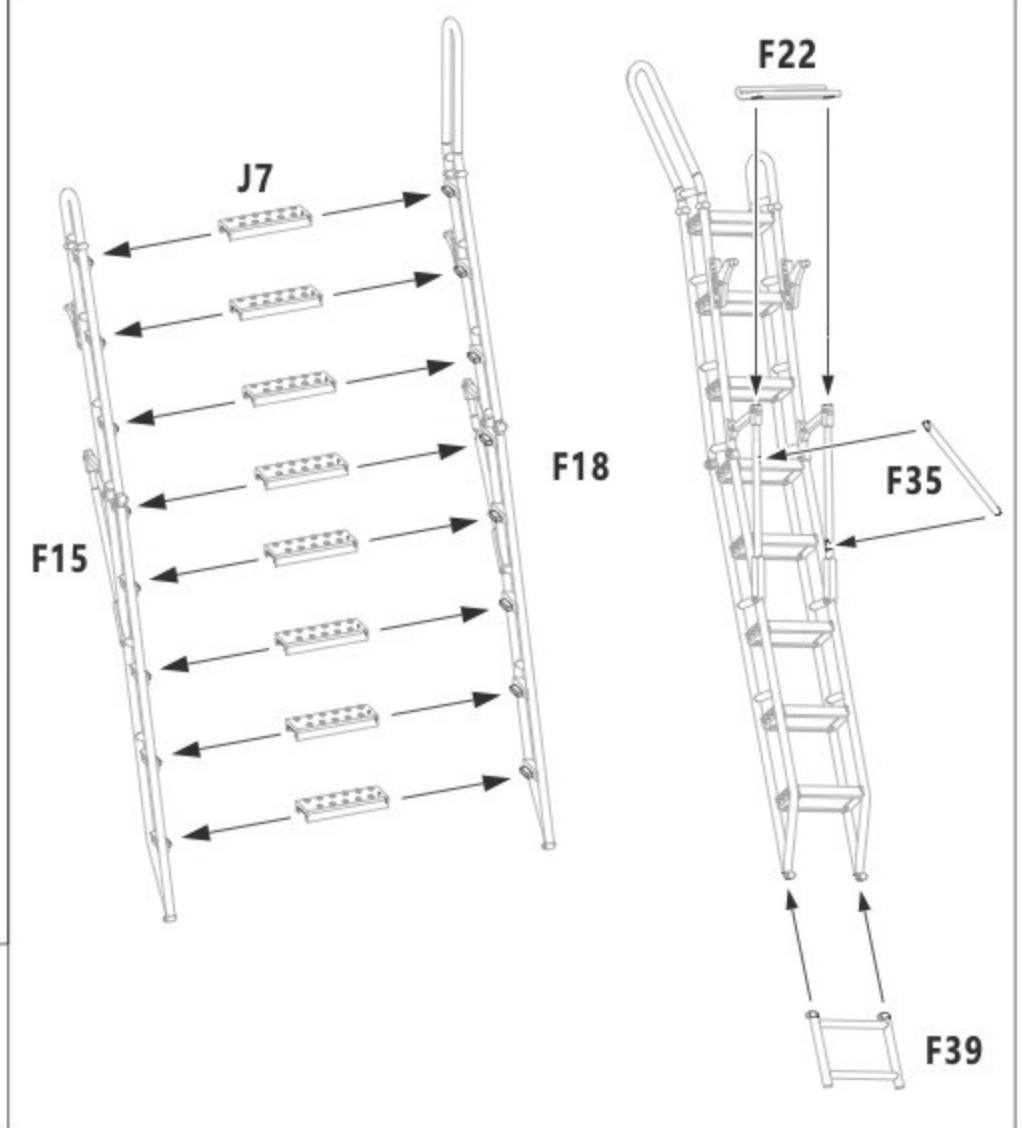
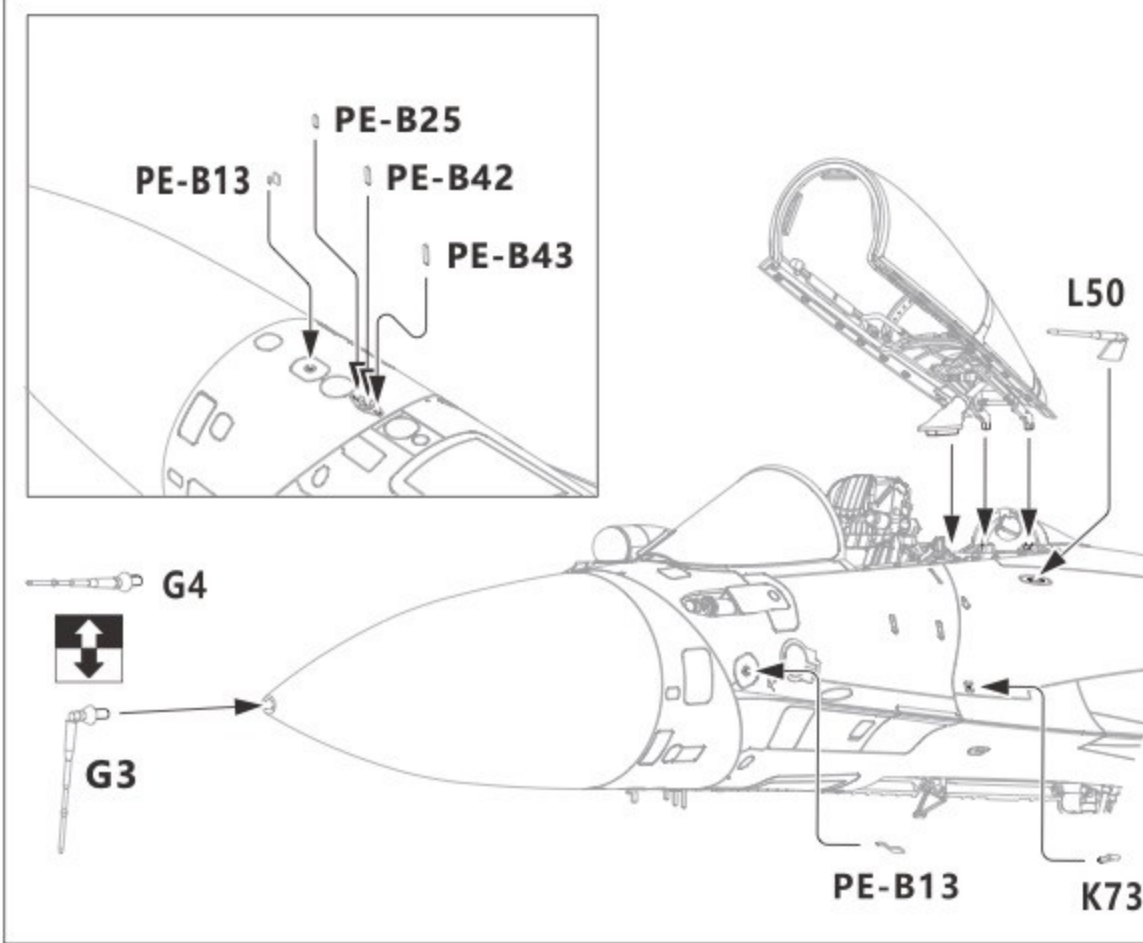
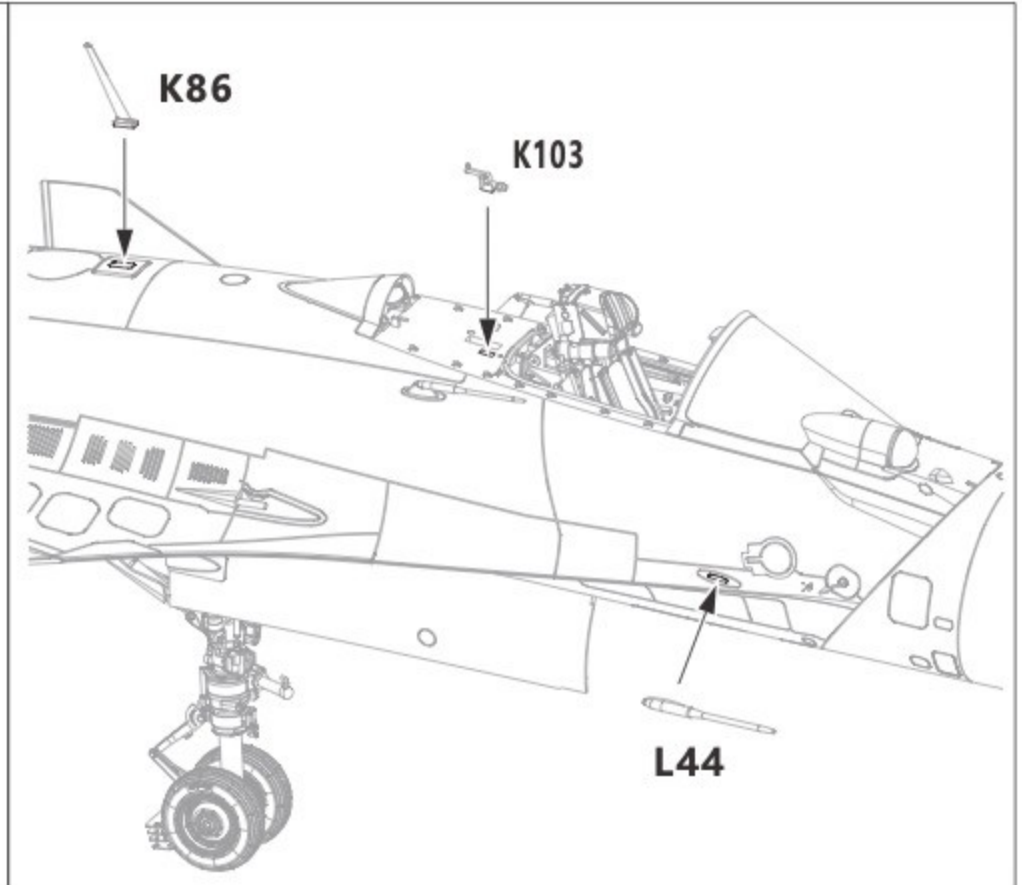
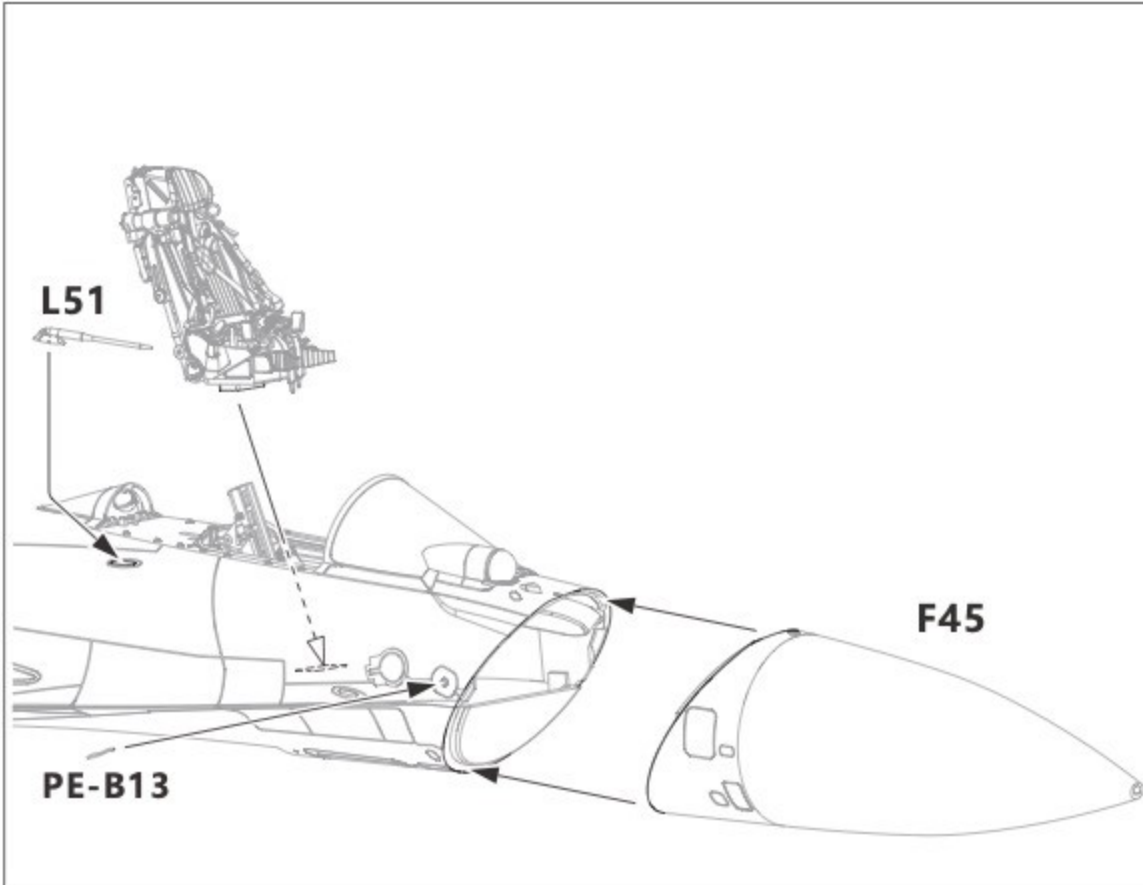
## Left wing

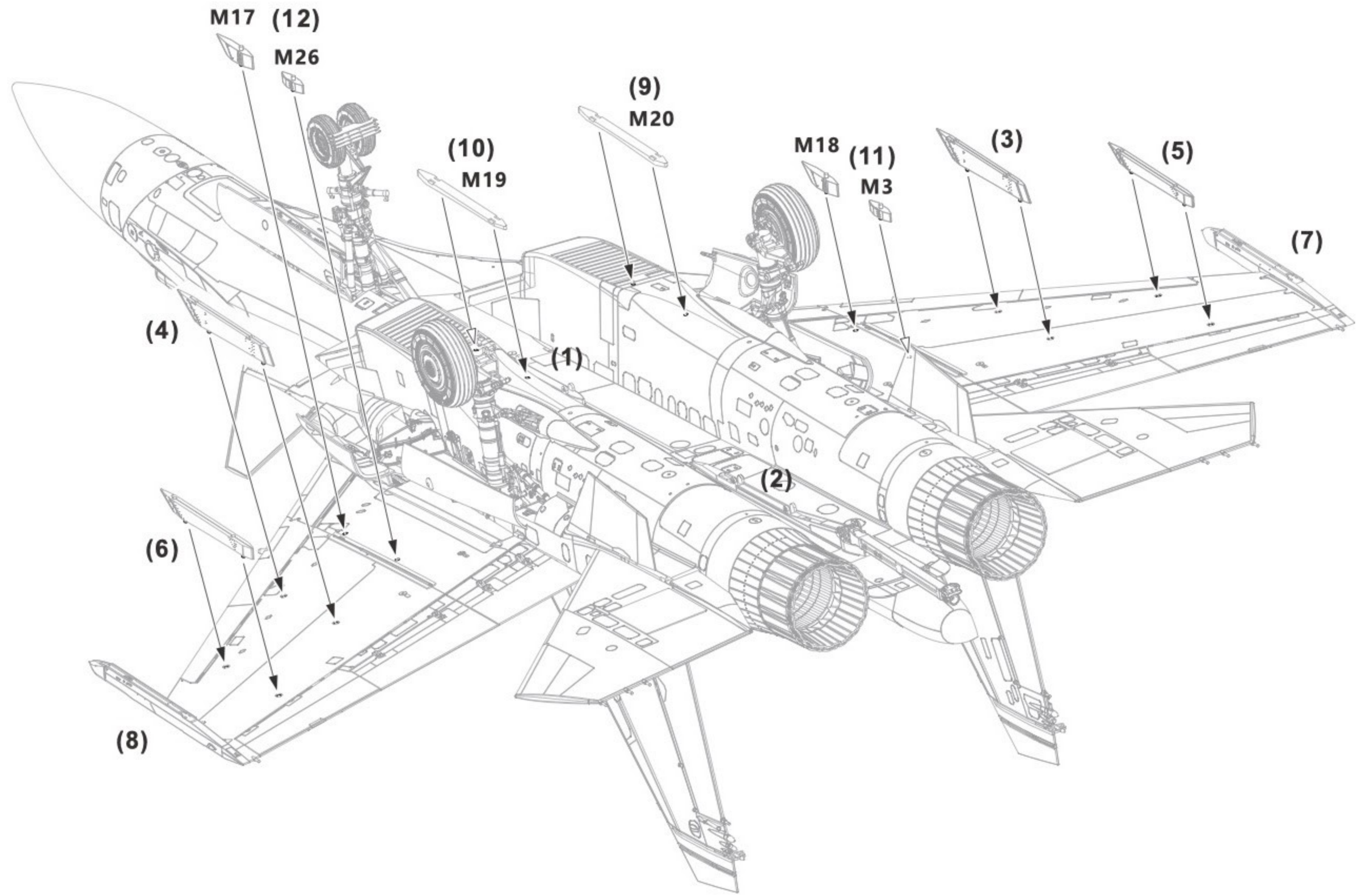


## Right wing

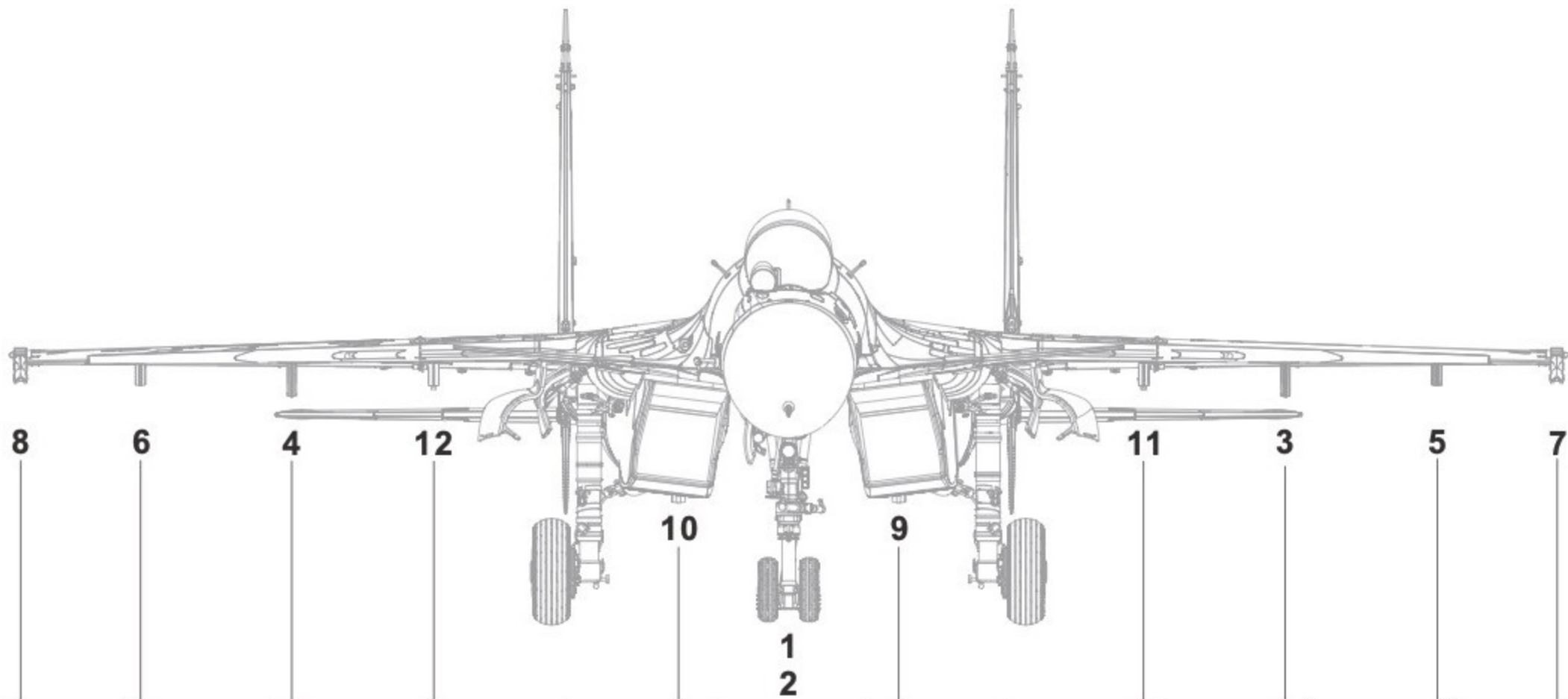
















































# Armed equipped with Chart



 <b>R-73L</b>	 <b>R-73L</b>	 <b>R-73L</b>						 <b>R-73L</b>	 <b>R-73L</b>	 <b>R-73L</b>
 <b>R-73E</b>	 <b>R-73E</b>	 <b>R-73E</b>						 <b>R-73E</b>	 <b>R-73E</b>	 <b>R-73E</b>
		 <b>R-27R</b>	 <b>R-27R</b>	 <b>R-27R</b>	 <b>R-27R</b>	 <b>R-27R</b>	 <b>R-27R</b>	 <b>R-27R</b>		
		 <b>R-27T</b>	 <b>R-27T</b>	 <b>R-27T</b>	 <b>R-27T</b>	 <b>R-27T</b>	 <b>R-27T</b>	 <b>R-27T</b>		
		 <b>R-27ER</b>	 <b>R-27ER</b>	 <b>R-27ER</b>	 <b>R-27ER</b>	 <b>R-27ER</b>	 <b>R-27ER</b>	 <b>R-27ER</b>		
		 <b>R-27ET</b>	 <b>R-27ET</b>	 <b>R-27ET</b>	 <b>R-27ET</b>	 <b>R-27ET</b>	 <b>R-27ET</b>	 <b>R-27ET</b>		