

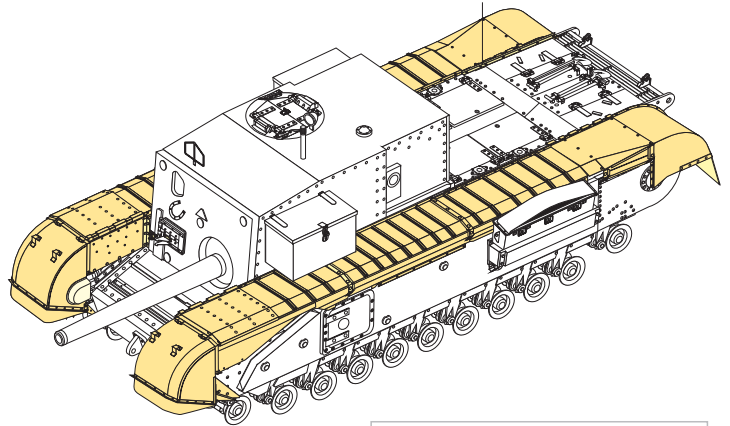
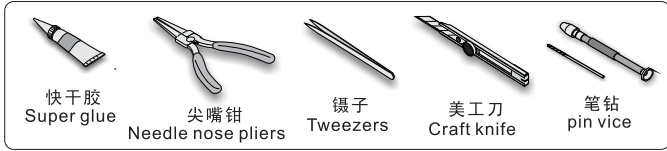
1/35 MILITARY MINIATURE VEHICLE UPGRADE SERIES PE35688

# WWII British Churchill 3inch gun 20 CWT Gun Fenders

二战英军丘吉尔 3英寸自行火炮翼子板改件

[For AFV CLUB 35253]

**推荐使用工具 RECOMMENDED TOOLS**



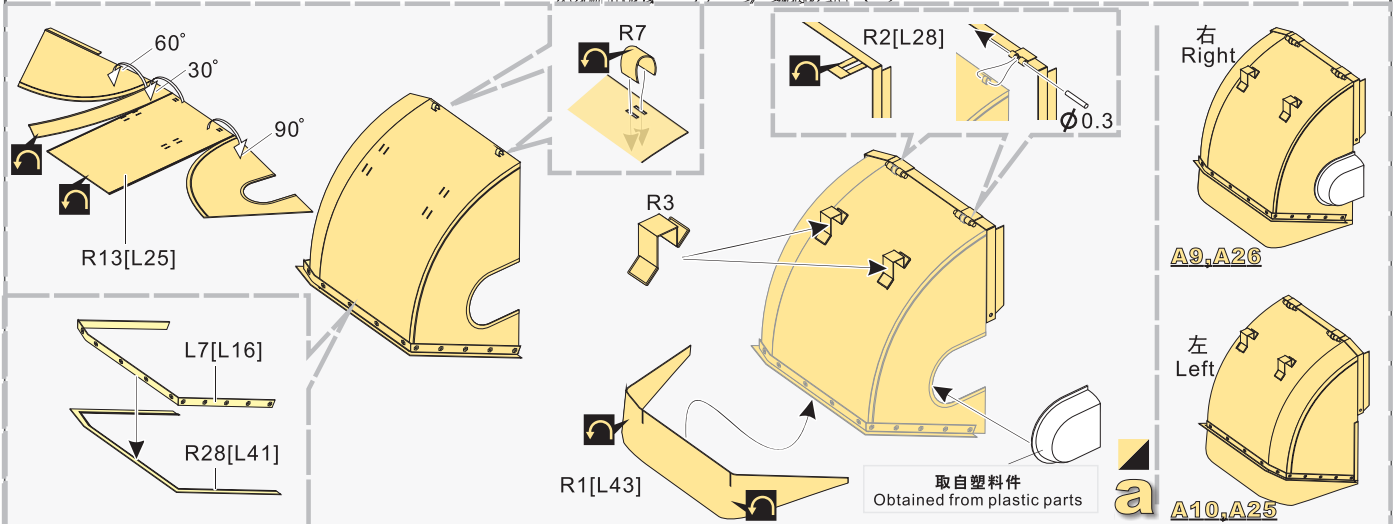
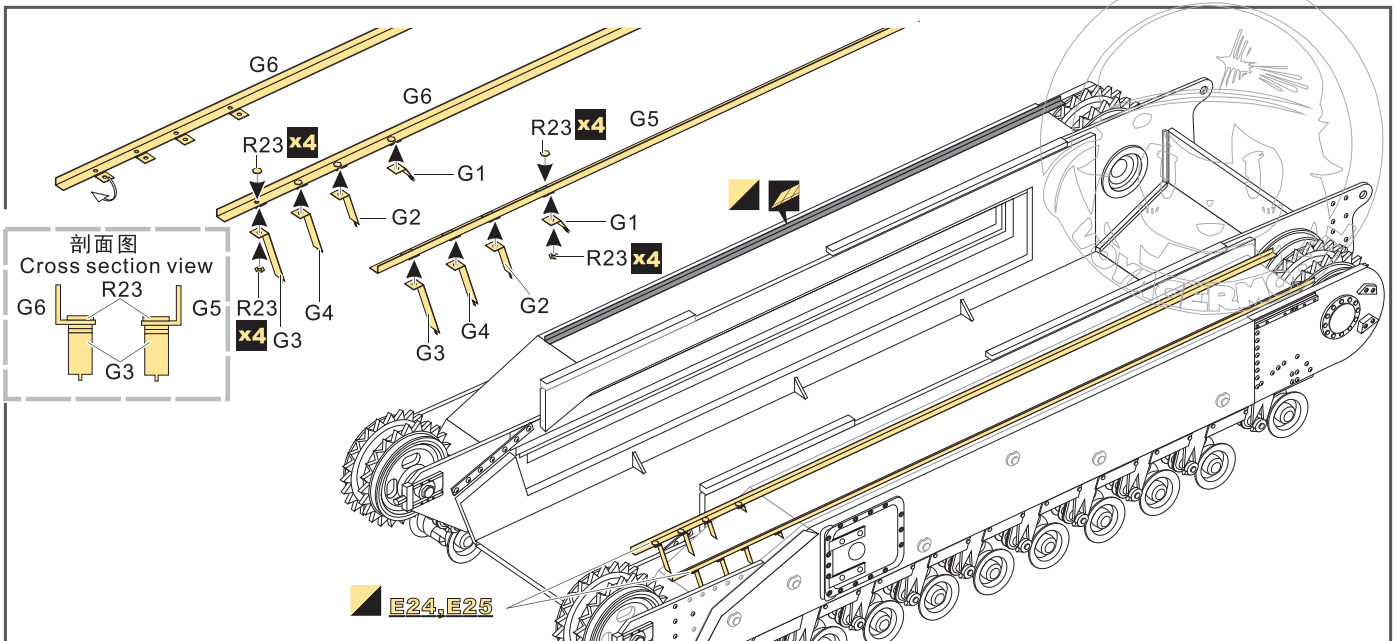
- ↑  
安装  
install
- ↙  
折叠  
bend
- A1  
改造件零件编号  
PE/resin part number
- B12  
原零件编号  
kit part number
- C22  
被替换的原零件编号  
replaced kit part number
- ✂  
切除  
remove
- ↻  
弧度卷曲  
radial bending
- x2  
制作若干组  
multiple assembly
- ↔  
另一侧相同制作  
repeat on opposite side
- ⇄  
选择安装  
alternative
- ⚙  
钻孔  
drill
- ⚠  
注意  
caution

↓  
用尖端在凹槽处冲压  
use penpoint to press on the dent

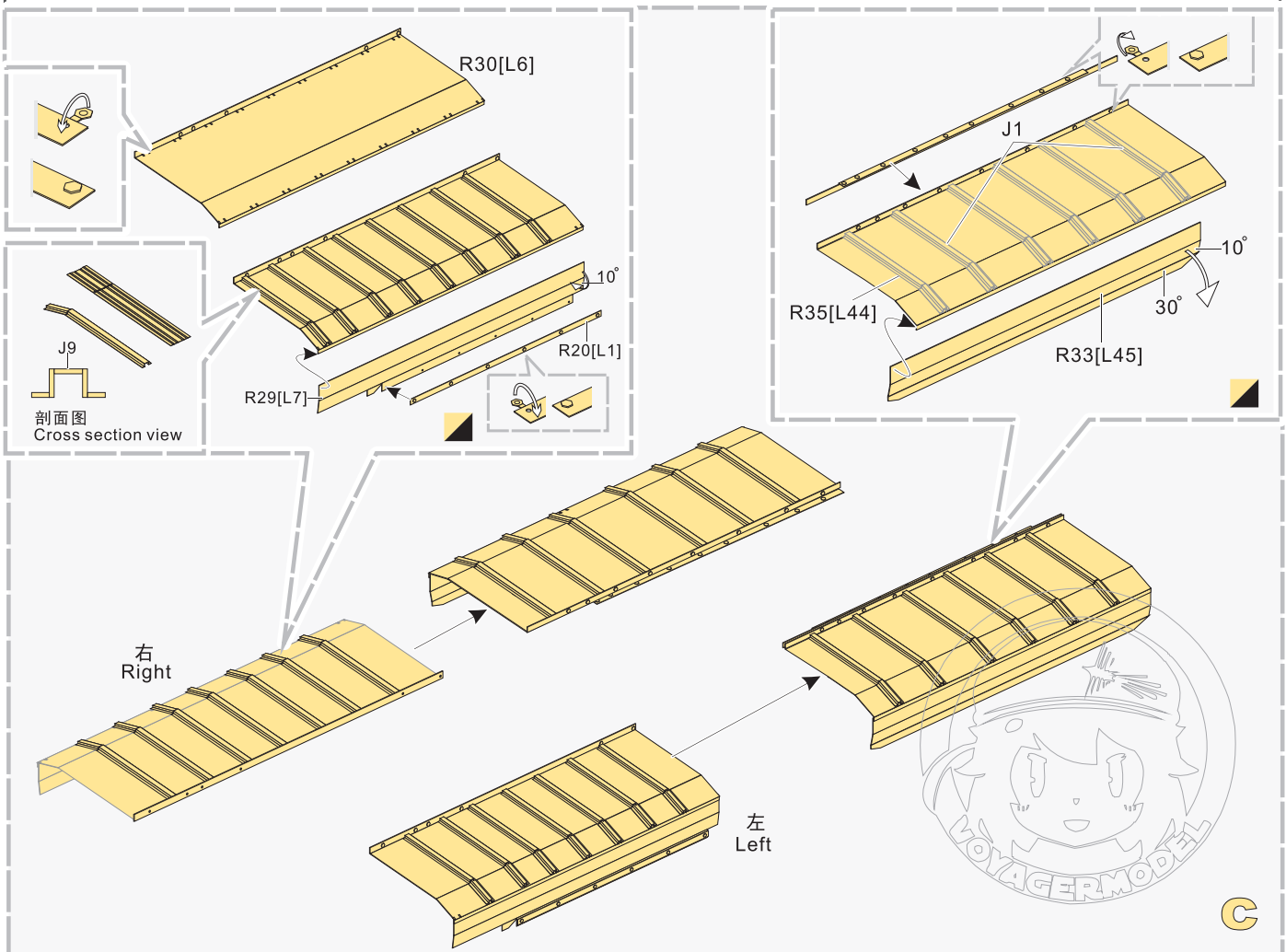
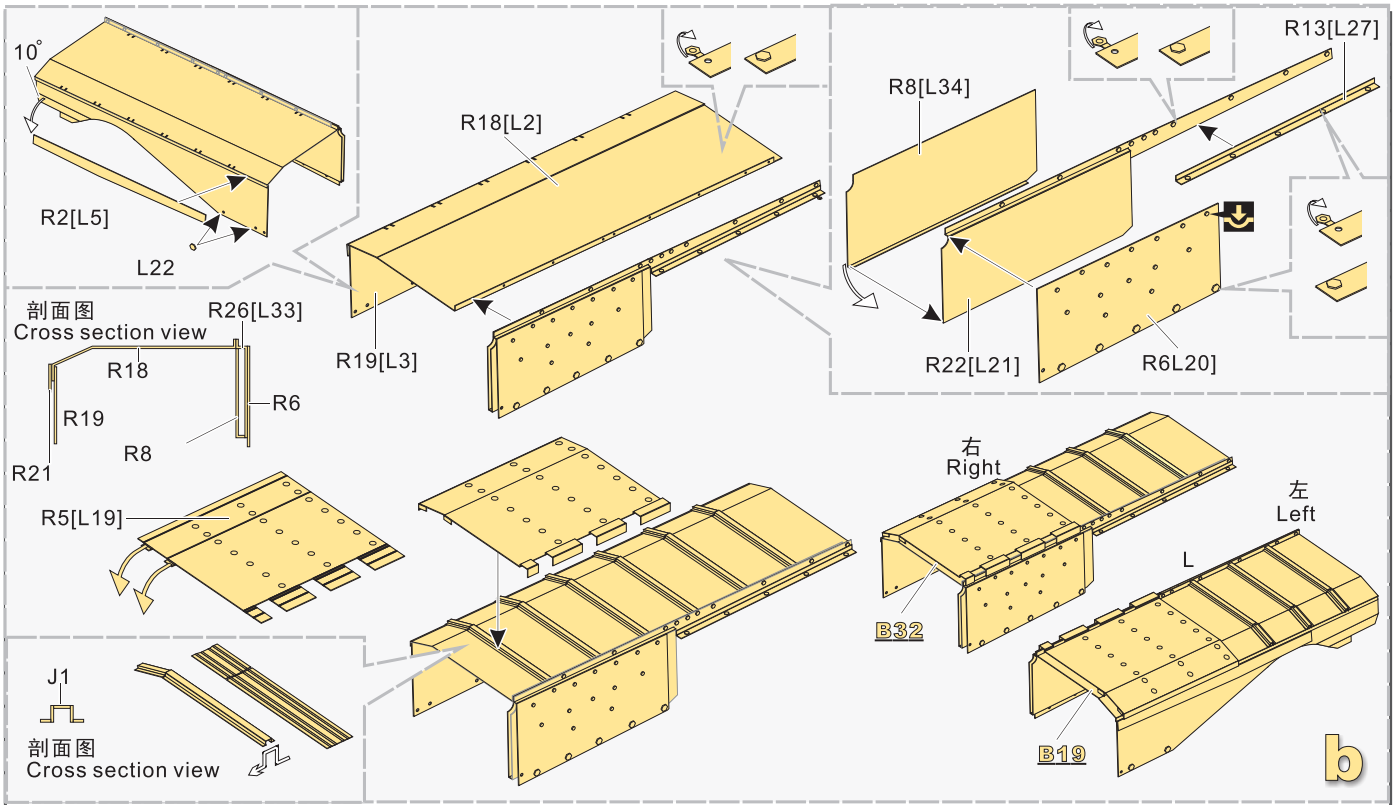
刻划片零件内侧面向上  
PE part inboard side turn up

圆珠笔  
Ballpen

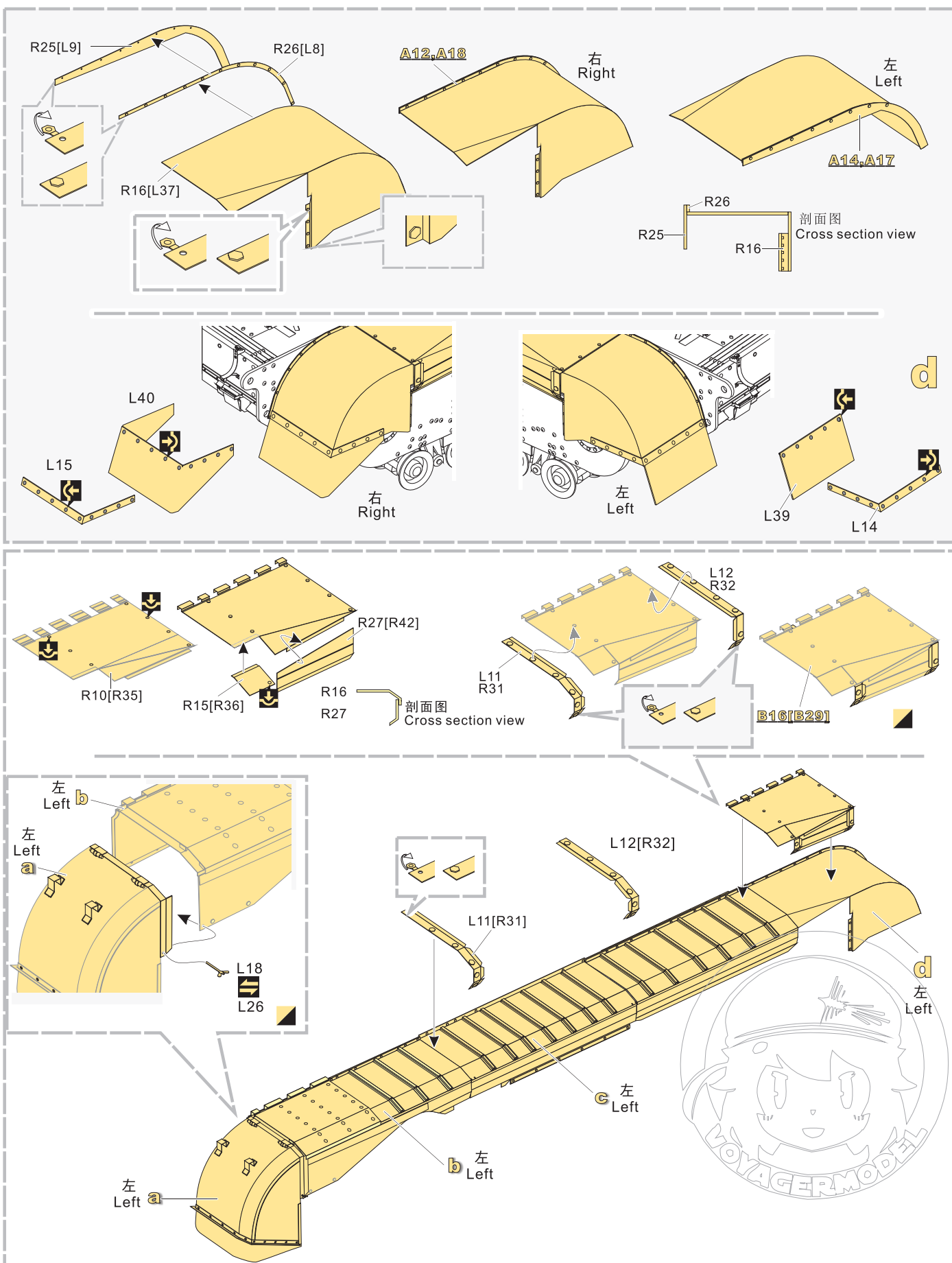
用笔尖在凹槽处划  
Use penpoint scratch on the flute



1/35 MILITARY MINIATURE VEHICLE UPGRADE SERIES PE35688



1/35 MILITARY MINIATURE VEHICLE UPGRADE SERIES PE35688



1/35 MILITARY MINIATURE VEHICLE UPGRADE SERIES PE35688

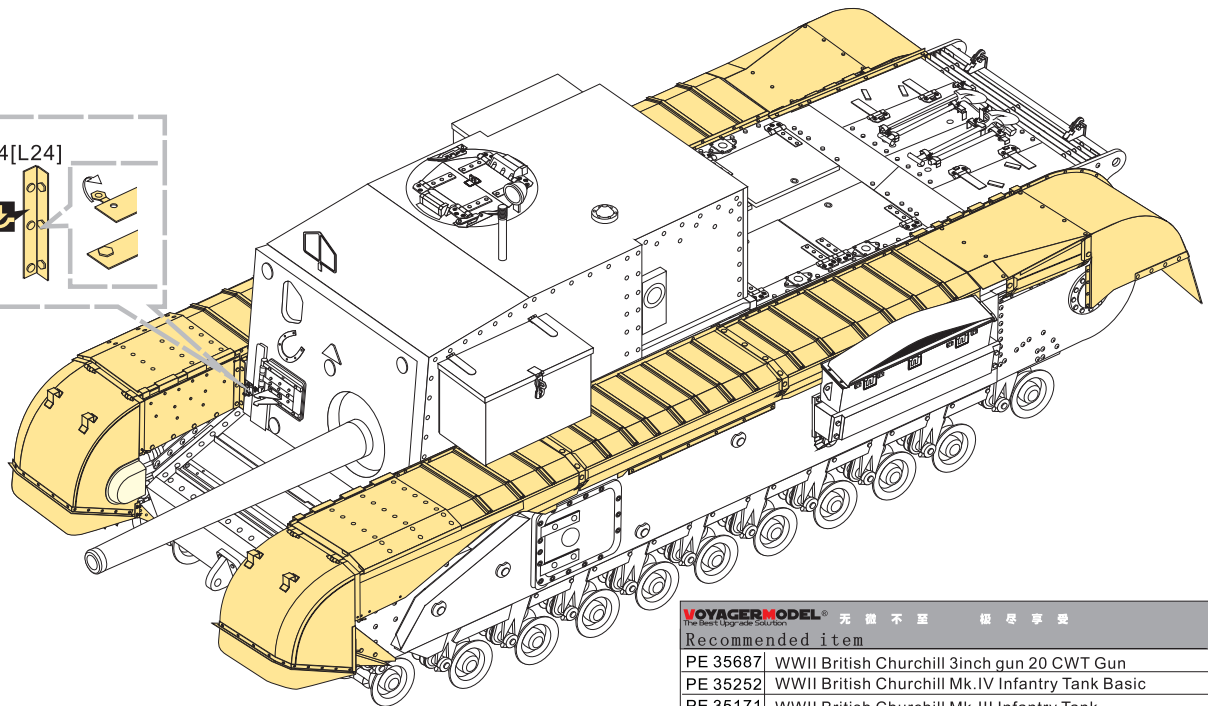
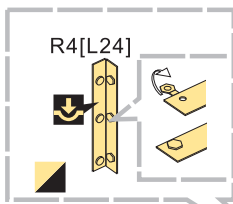
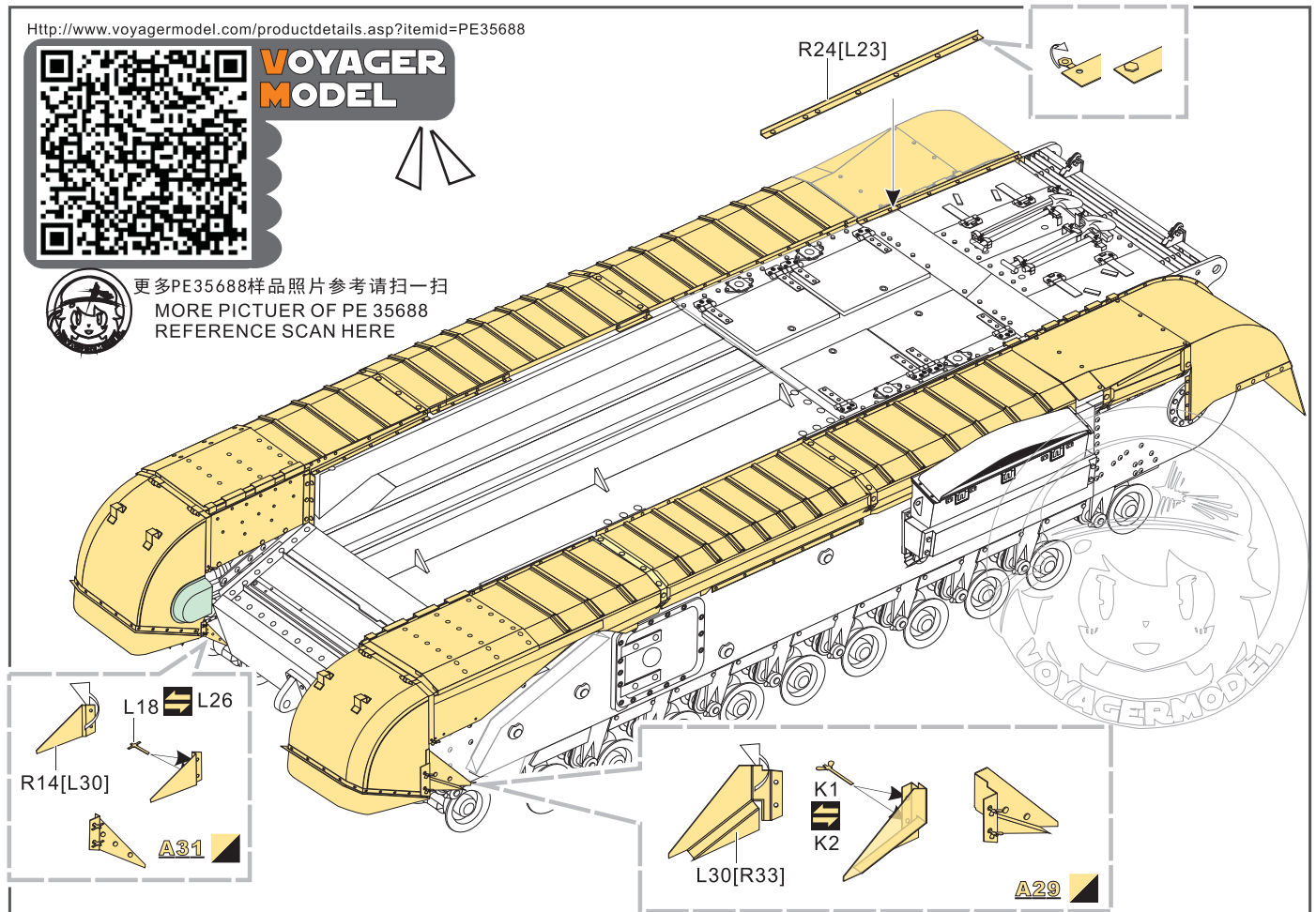
[Http://www.voyagermodel.com/productdetails.asp?itemid=PE35688](http://www.voyagermodel.com/productdetails.asp?itemid=PE35688)



**VOYAGER  
MODEL**



更多PE35688样品照片参考请扫一扫  
MORE PICTUER OF PE 35688  
REFERENCE SCAN HERE



**VOYAGERMODEL** 无道不征 极尽享受  
The Best Upgrade Solution

Recommended item	
PE 35687	WWII British Churchill 3inch gun 20 CWT Gun
PE 35252	WWII British Churchill Mk.IV Infantry Tank Basic
PE 35171	WWII British Churchill Mk.III Infantry Tank
PE 35172	WWII British Churchill Mk.III Infantry Tank Fenders
PE 35177	WWII British Churchill Mk.III AVRE