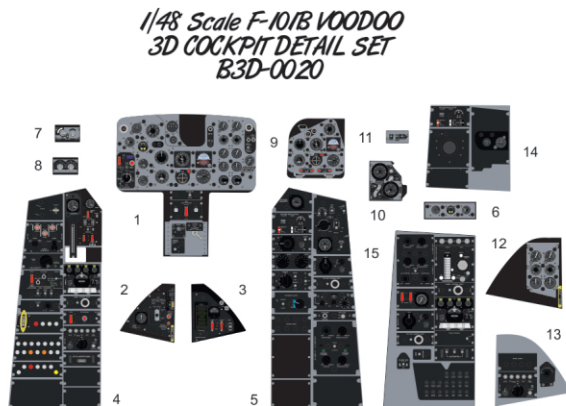
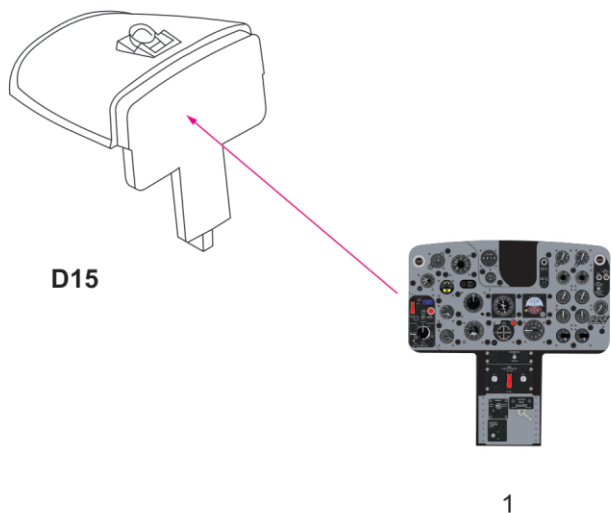


Are you ready for realistic models?



www.babibimodel.com © 2022

**For KITTY HAWK
1/48 Kits**



www.babibimodel.com

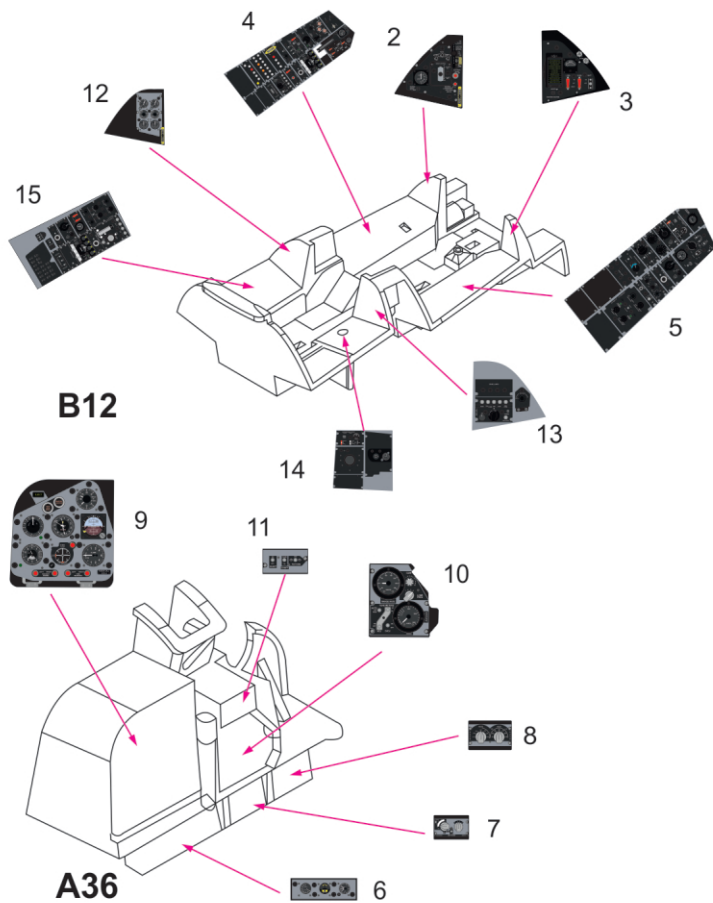
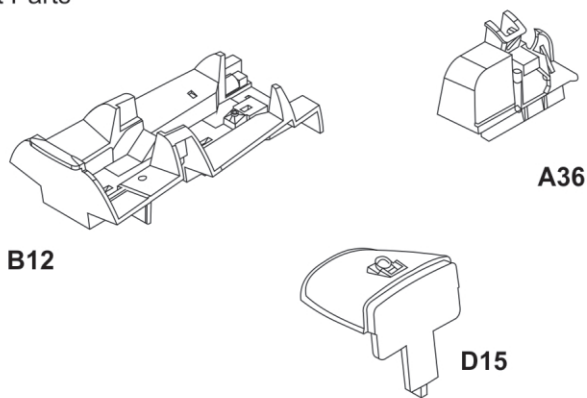
Babibi TV

groups/babibimodel

Babibimodel

Thank you for purchasing Babibi Model products.

Kit Parts



- ① Prepare parts: Please sand all blue surfaces and delete all details
- ② Paint all of the parts and cockpit.
- ③ Apply clear coat all of the surfaces that will applied 3D-Decals.
- ④ Cut the sticker with a scissor and separate the 3D-Decal part in warm water.
- ⑤ Remove any water with an earstick or a tissue.
- ⑥ You can apply CA glue to invisible spots if needed.