



CF-104 Starfighter

The Canadair CF-104 Starfighter (CF-111, CL-90) is a modified version of the Lockheed F-104 Starfighter supersonic fighter aircraft built in Canada by Canadair under license. It was primarily used as a ground attack aircraft, despite being designed as an interceptor. It served with the Royal Canadian Air Force (RCAF) and later the Canadian Armed Forces (CAF) until it was replaced by the McDonnell Douglas CF-18 Hornet.

The CF-104 entered Canadian service in March 1962. Originally designed as a supersonic interceptor aircraft, it was used primarily for low-level strike and reconnaissance by the RCAF. Eight CF-104 squadrons were originally stationed in Europe as part of Canada's NATO commitment. This was reduced to six in 1967, with a further reduction to three squadrons in 1970. Up to 1971, this included a nuclear strike role that would see Canadian aircraft armed with US-supplied nuclear weapons in the event of a conflict with Warsaw Pact forces. During its service life the CF-104 carried the B28, B43 and B57 nuclear weapons.

CAUTION

- *Read carefully and fully understand the instructions before commencing assembly.
- *Keep out of reach of children. Children must not be allowed to put any parts in their mouths, or pull plastic bag over their heads.
- *When using adhesives and paints, please make sure not to use them in closed room or near the fire.
- *When assembling this kit, tools including knives are used. Extra care should be taken to avoid injury.

WARNING: CONTAIN SMALL PARTS NOT FOR CHILDREN UNDER 14 YEARS OF AGE.



Drill



Remove



2 Set



Bend



Optional



Decal



Super Glue



Fill Hole



No Cement



Be Careful

TOOLS RECOMMENDED

Cement



Side Cutter



Modeling Knife



Tweezers

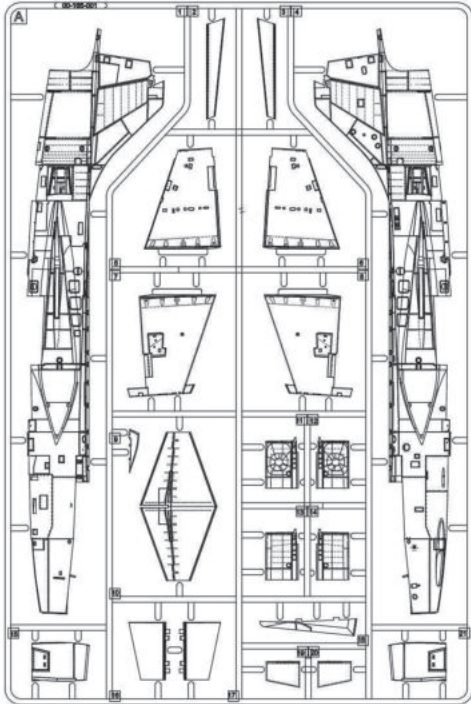


AFTERMARKET SERVICES CARD

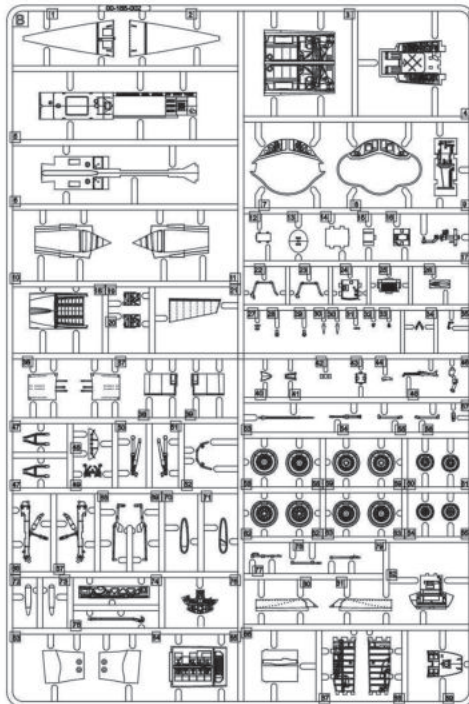
When requesting replacement parts, please take or send this form to your local dealer so that the parts required can be correctly identified. Please note that specifications and availability are subject to change without notice. Or visit <http://www.kineticmodel.com> for latest information. For more information, please contact services@kineticmodel.com

Part Code	K48127	Qty	Item
00-165-001	1/48 F-104G FUESLAGE, COCKPIT, ACCESSORIES	1	A
00-165-002	1/48 F-104 WINGS, TANK ACCESSORIES	1	B
00-165-003	1/48 F-104 NLG,MLG PARTS	1	C
00-165-004	1/48 F-104 G/TF-104G CANOPY	1	D
01-165-48127	1/48 CF-104	1	DECAL
03-165-48127	1/48 CF-104 MANUAL	1	MANUAL
06-165-48083	1/48 F-104 G/TF-104 PE	1	PE

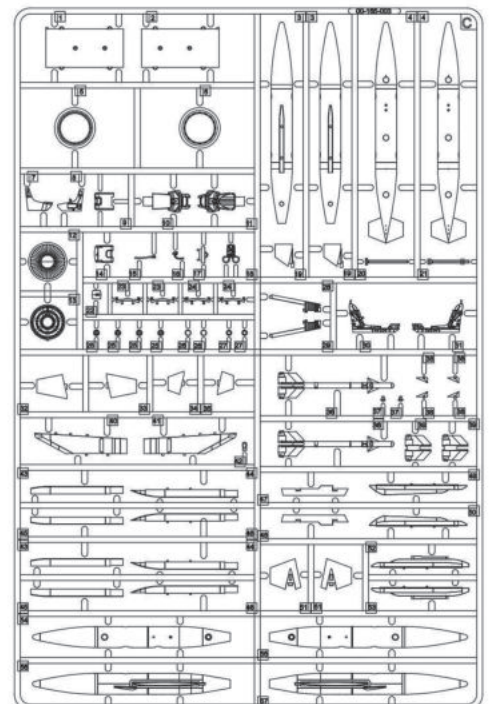
A



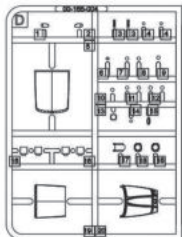
B



C



D



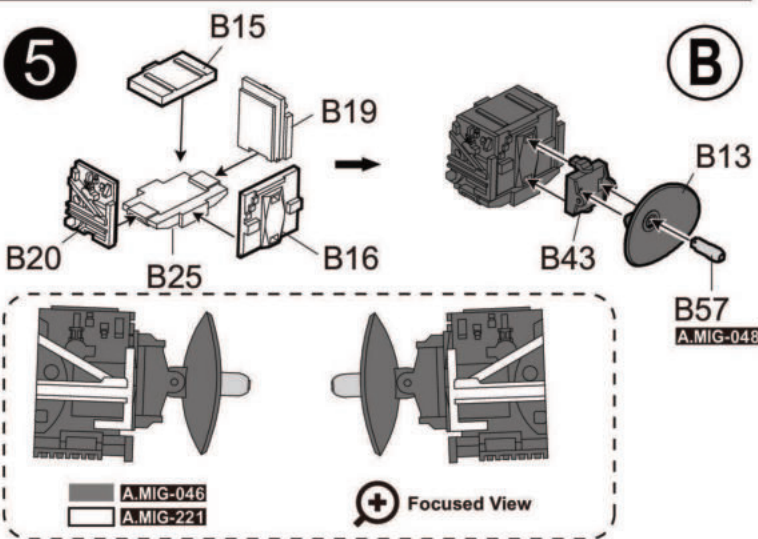
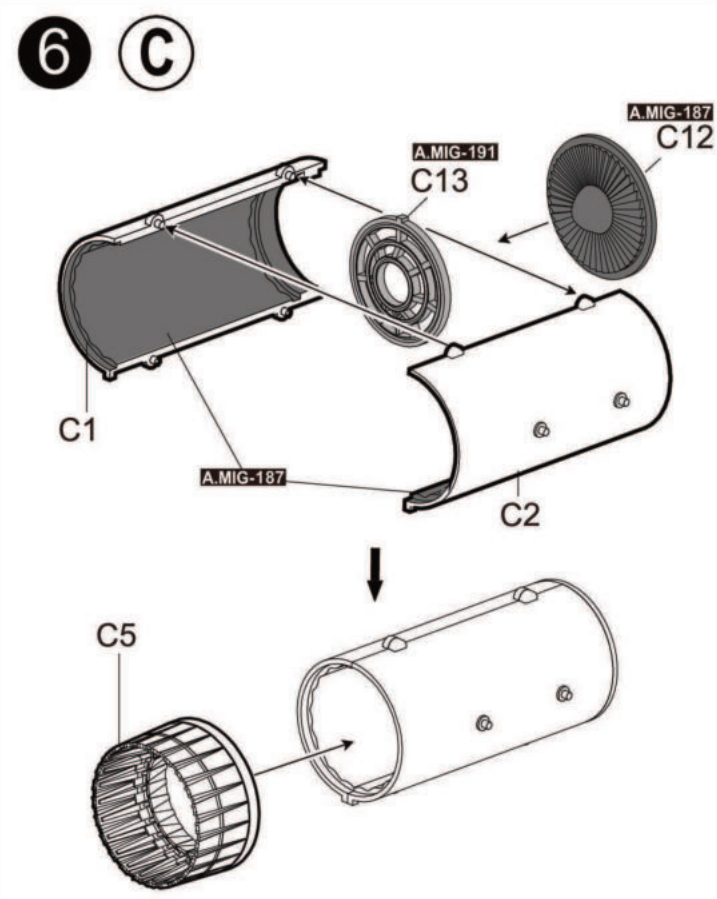
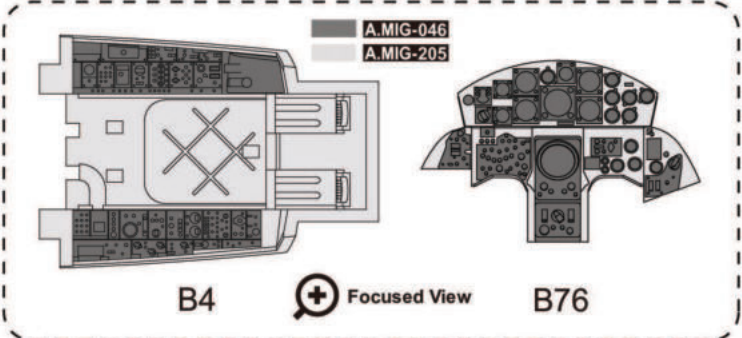
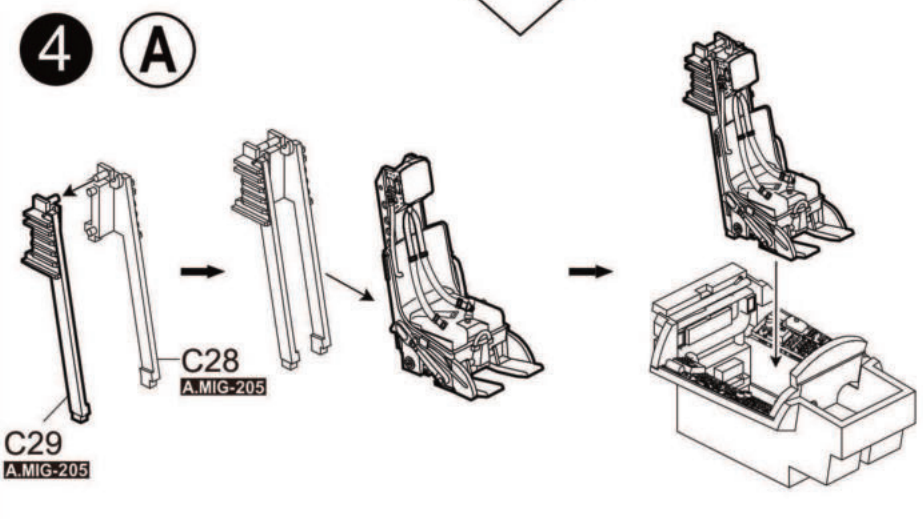
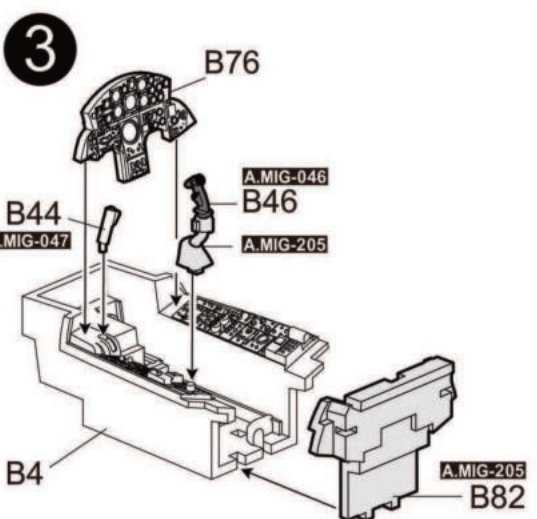
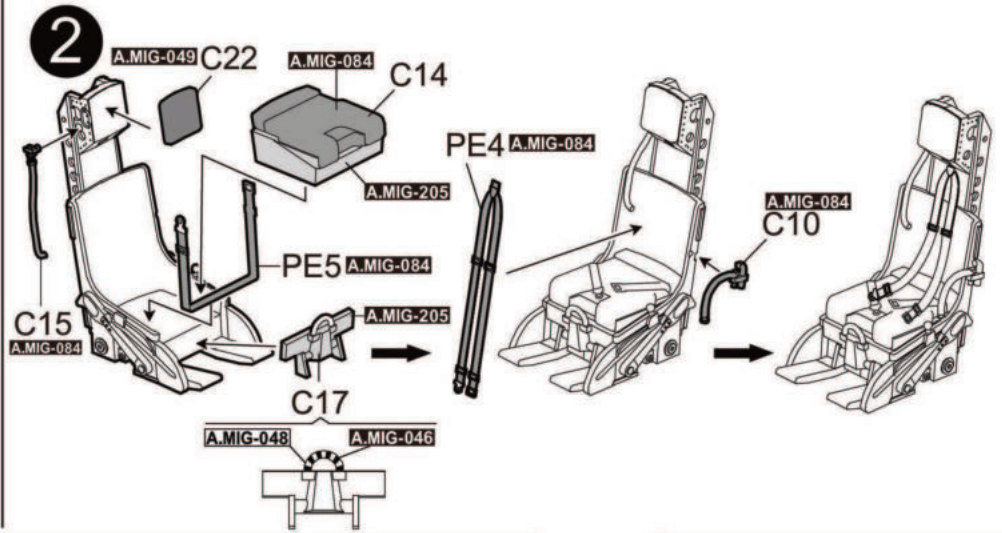
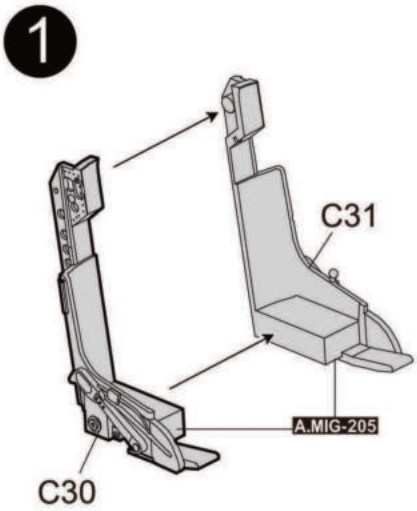
PE



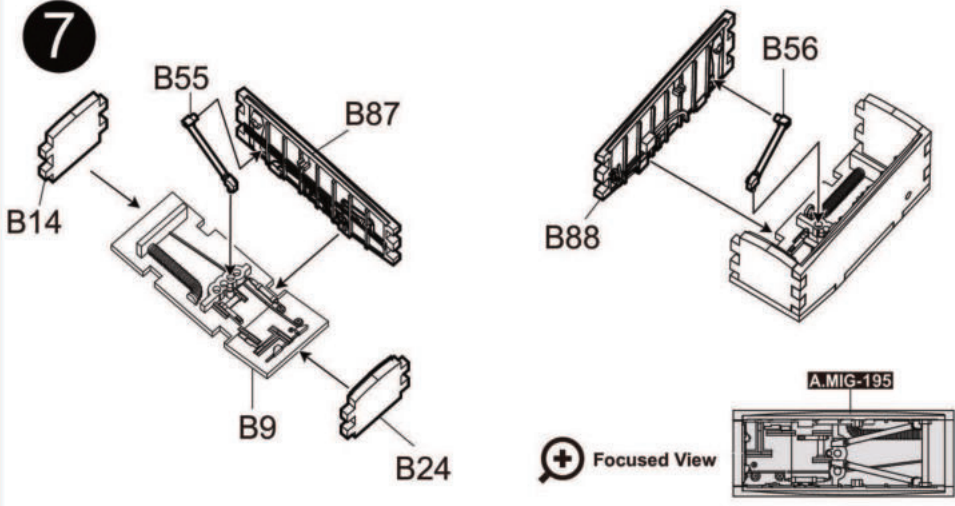


COLOR	AMMO MIG	VALLEJO MODEL COLOR	GSI CREOS MR. COLOR	TAMIYA ENAMEL/ACRYLIC	HUMBROL ENAMEL
RUBBER & TIRES	A.MIG-033	70.306	137	XF-85	-
MATT BALCK	A.MIG-046	71.057	33	XF-1	33
SATIN WHITE	A.MIG-047	70.842	1	X-2	22
YELLOW	A.MIG-048	71.002	4	XF-3	69
RED	A.MIG-049	71.003	3	XF-7	153
FRENCH BLUE	A.MIG-062	70.900	72	XF-18	-
NATO GREEN	A.MIG-084	71.093	54	XF-67	117
CRYSTAL GREEN	A.MIG-092	70 936	138	X-25	-
CRYSTAL RED	A.MIG-093	70.934	47	X-27	220
JET EXHAUST BURNT IRON	A.MIG-187	71.073	61	XF-84	-
STEEL	A.MIG-191	70.864	28	-	27003
SILVER	A.MIG-195	71.063	8	X-11	11
FS 26231	A.MIG-205	71.051	317	-	27
SILVER GRAY	A.MIG-212	71.119	332	-	-
BS283	A.MIG-219	71.126	364	-	-
FS 33481	A.MIG-221	71.107	27	XF-4	-
CHROME	A.MIG-8205	71.064	SM206	X-11	191

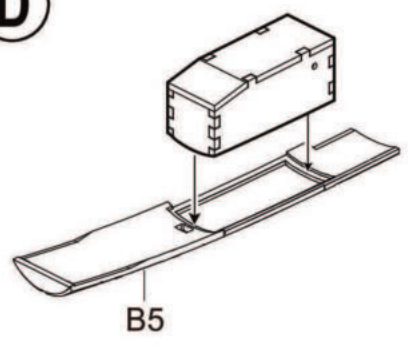
For Color Profile, please go to www.kineticmodel.com for download
(type the kit# and go for manual/painting guide)



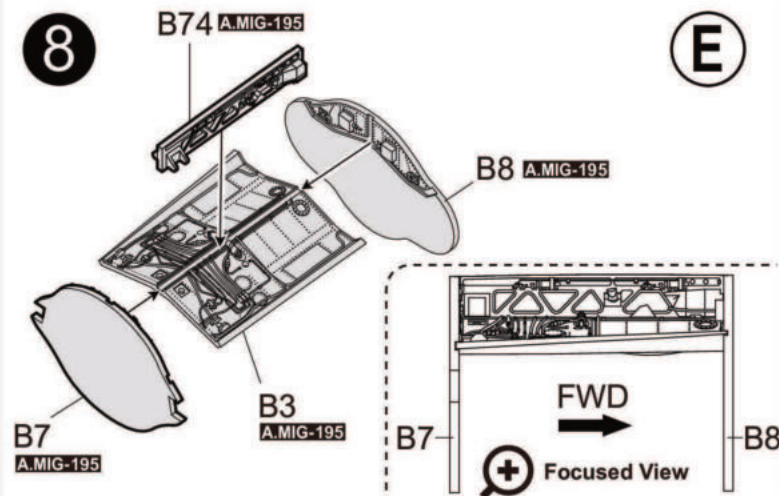
7



D

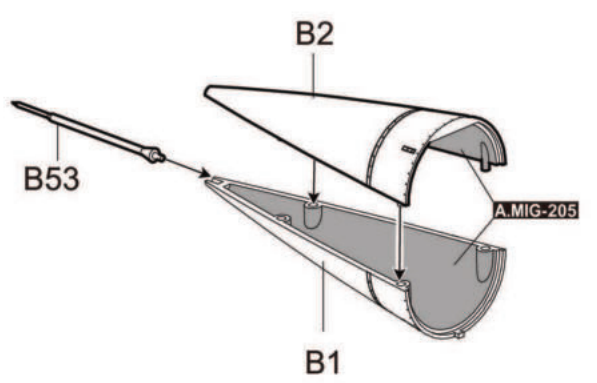


8

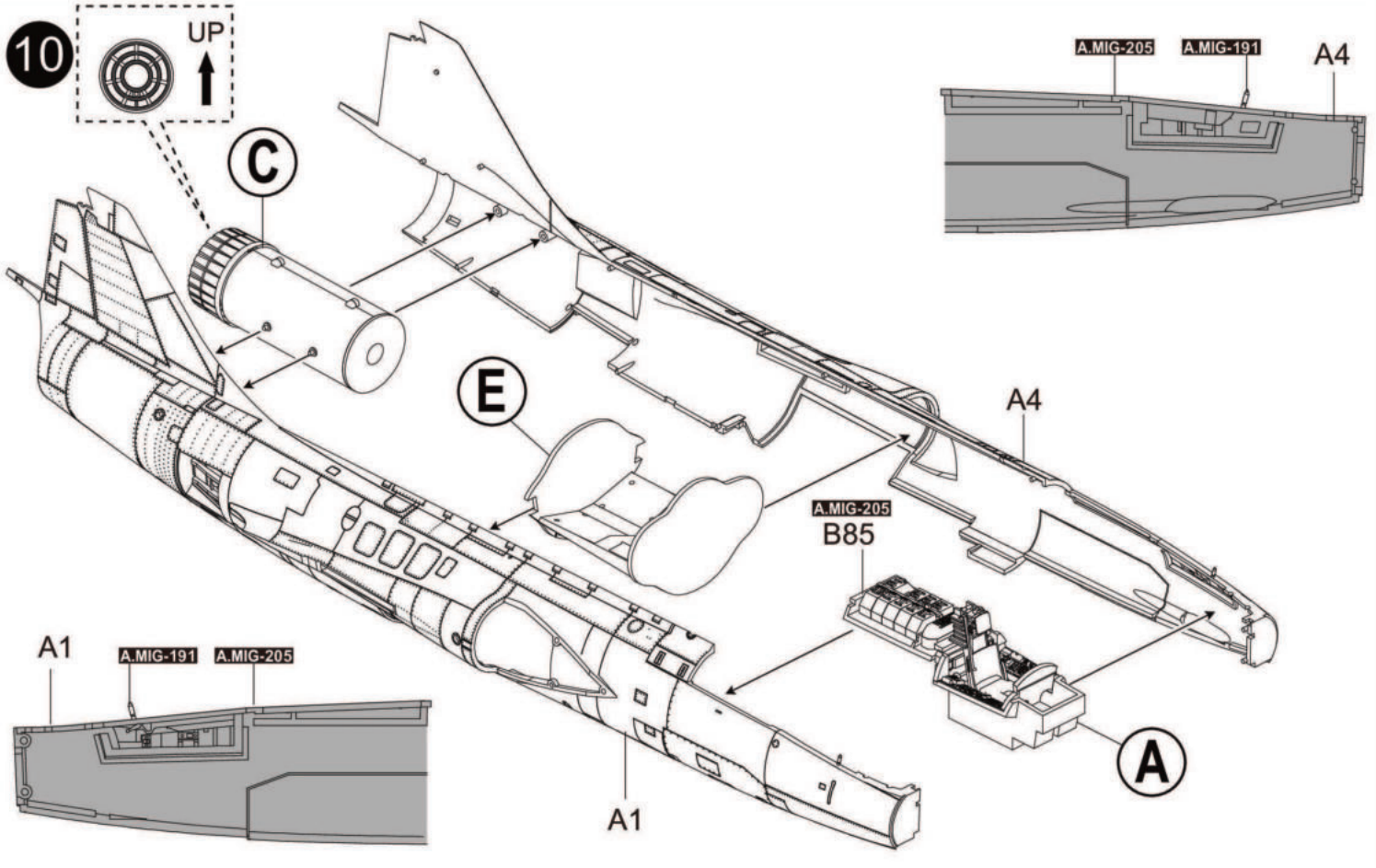


E

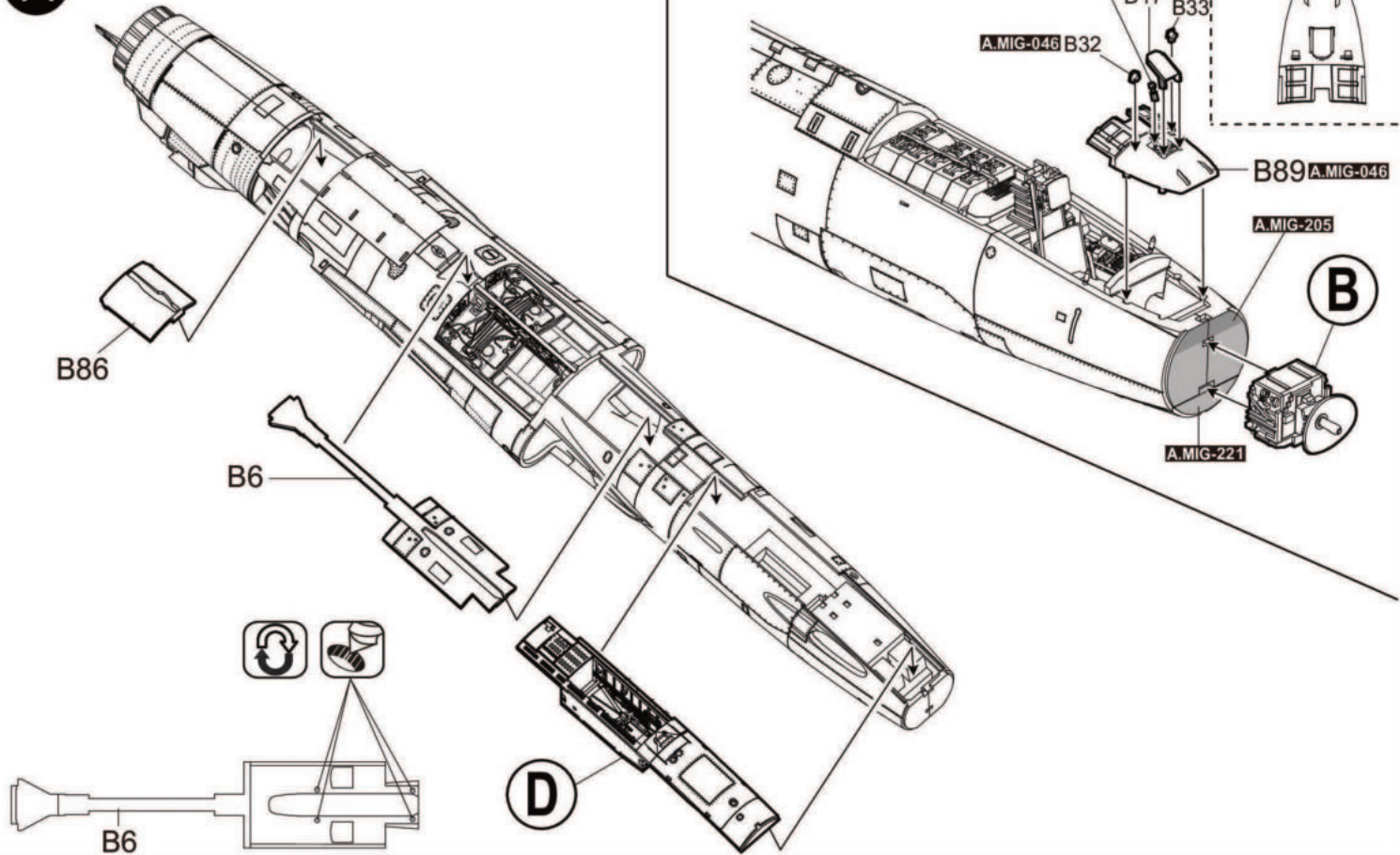
9



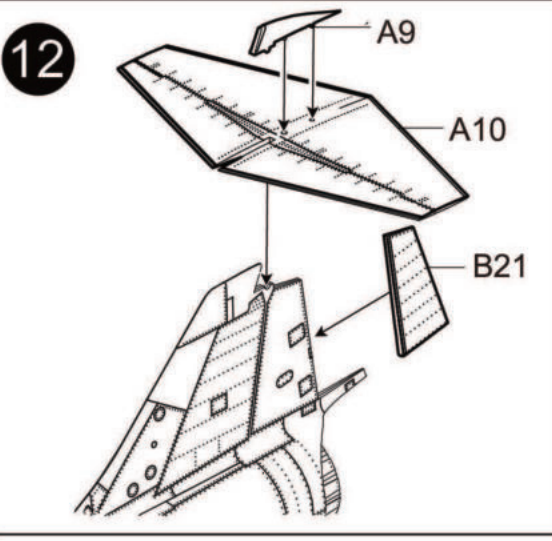
10



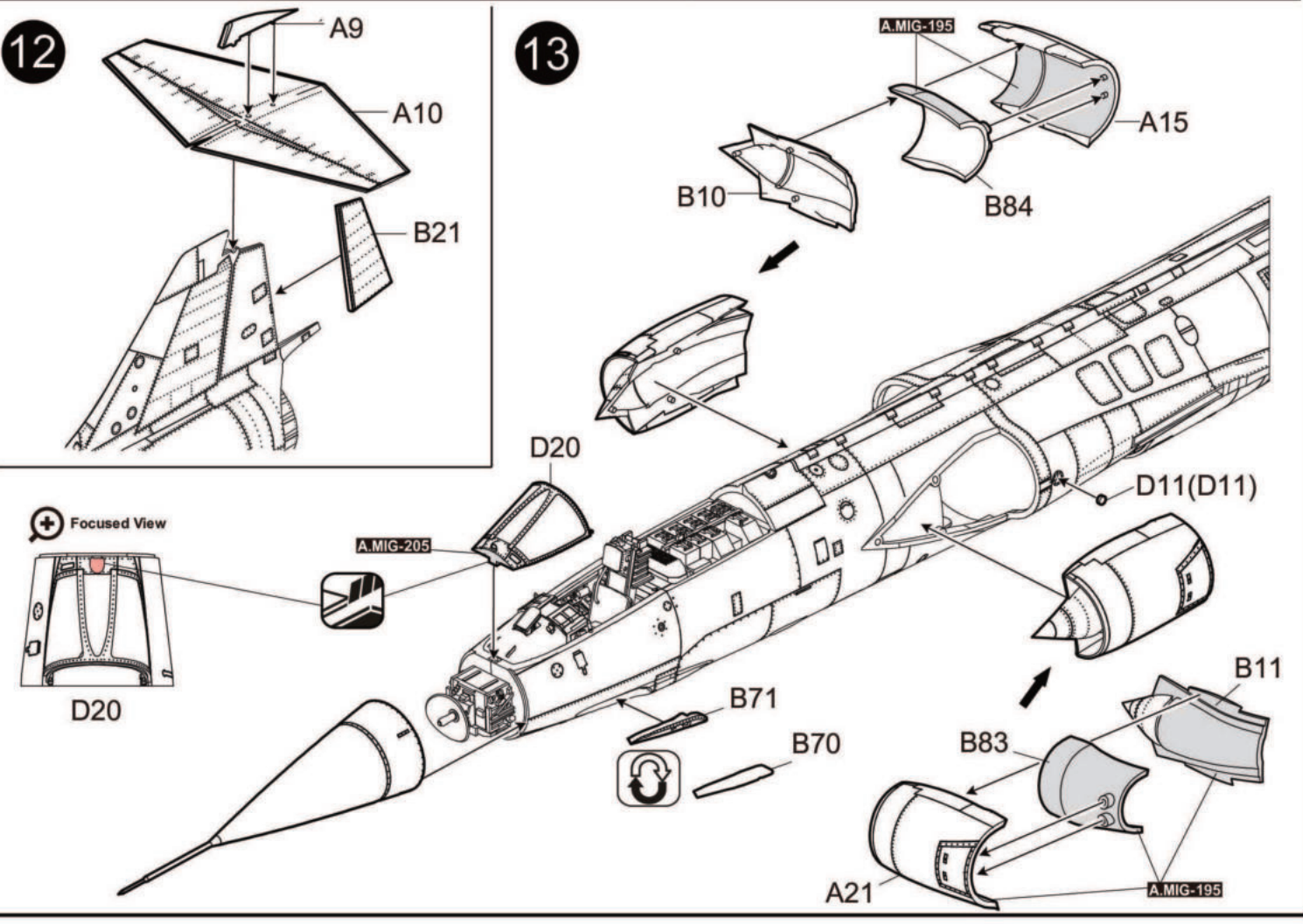
11



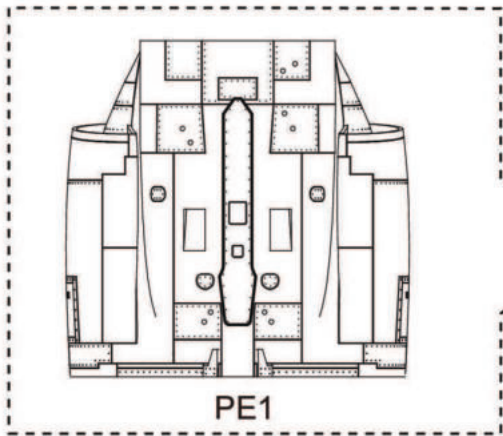
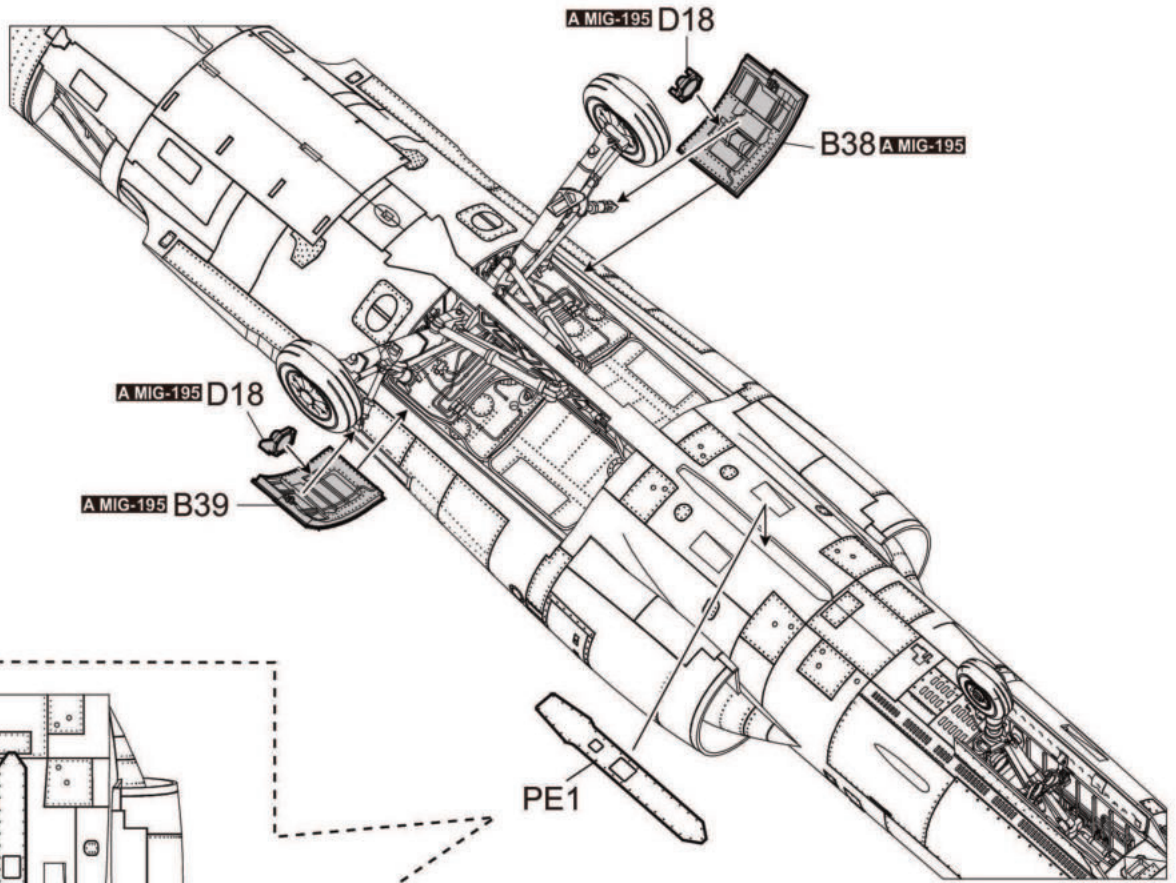
12



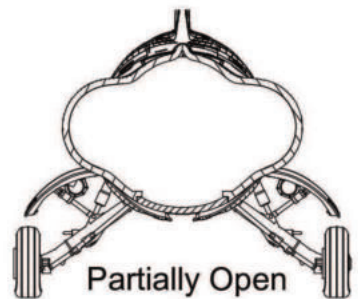
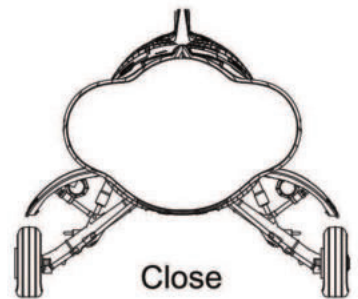
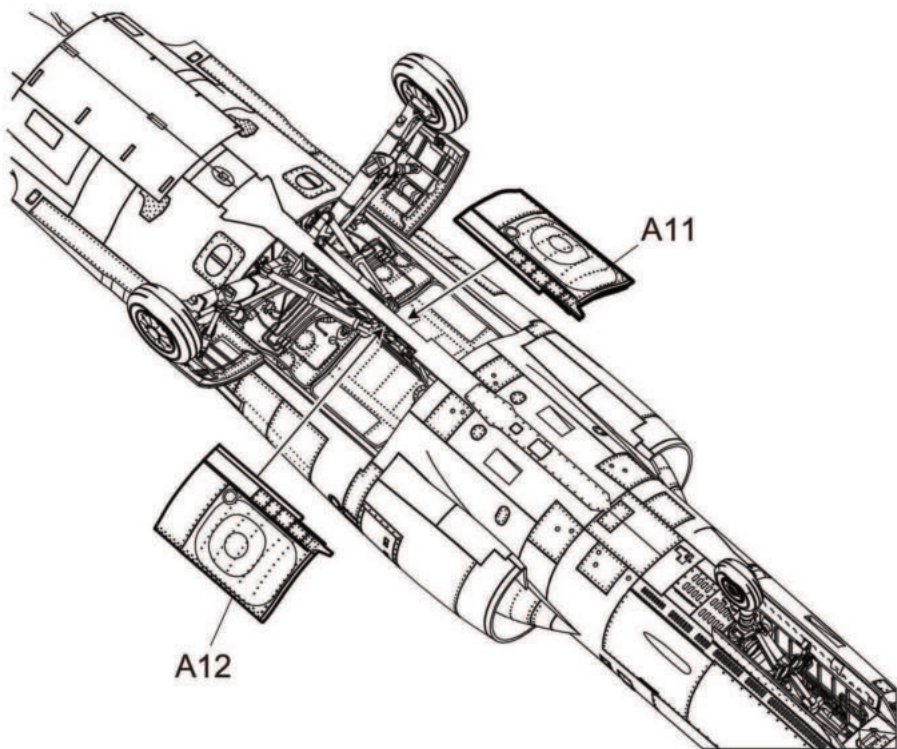
13



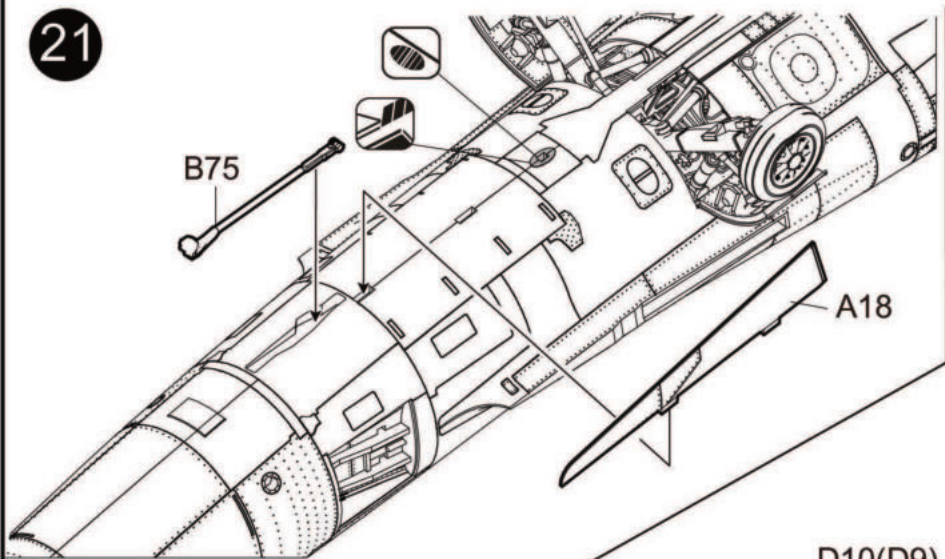
19



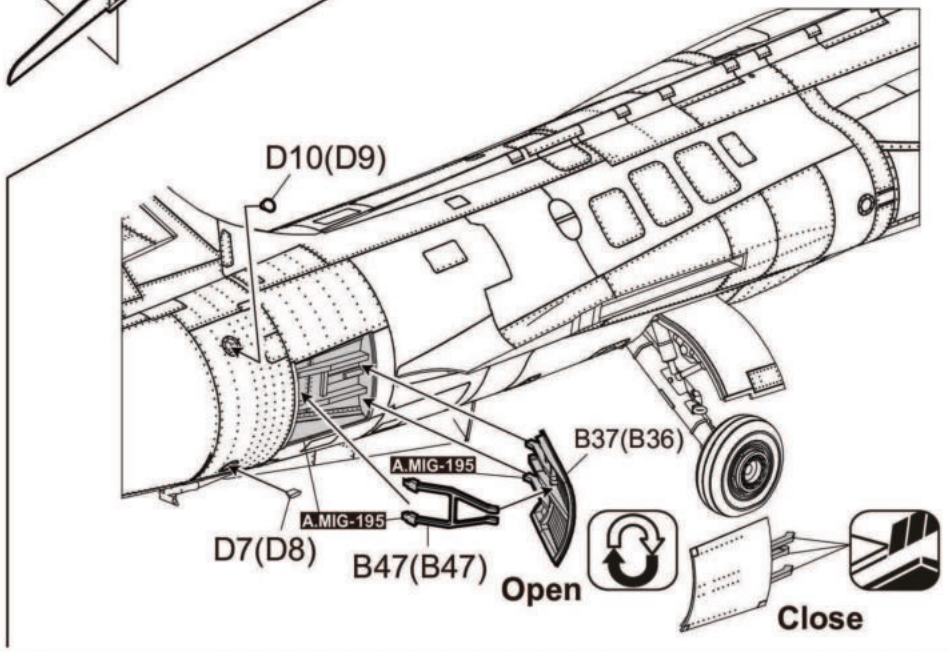
20



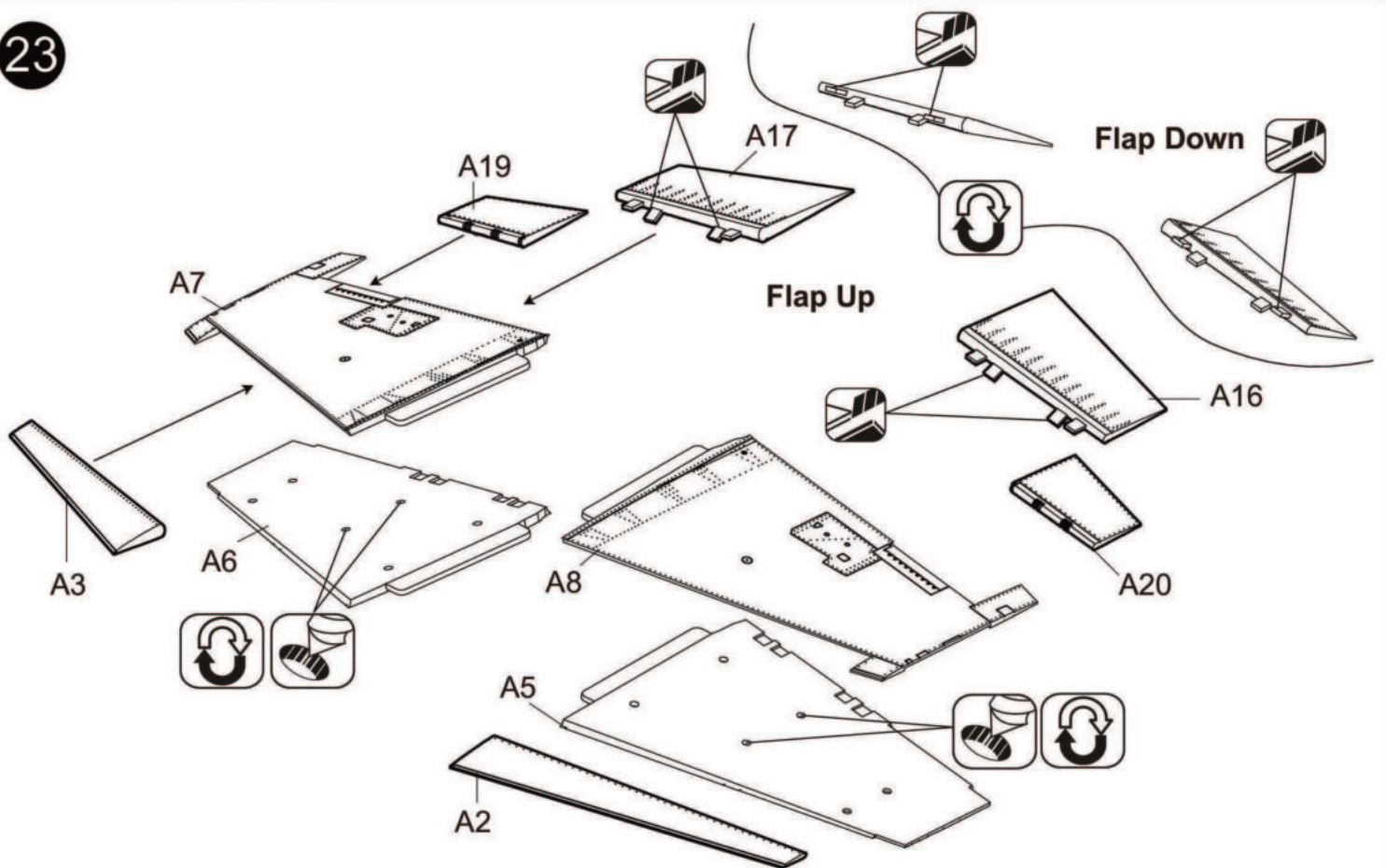
21



22

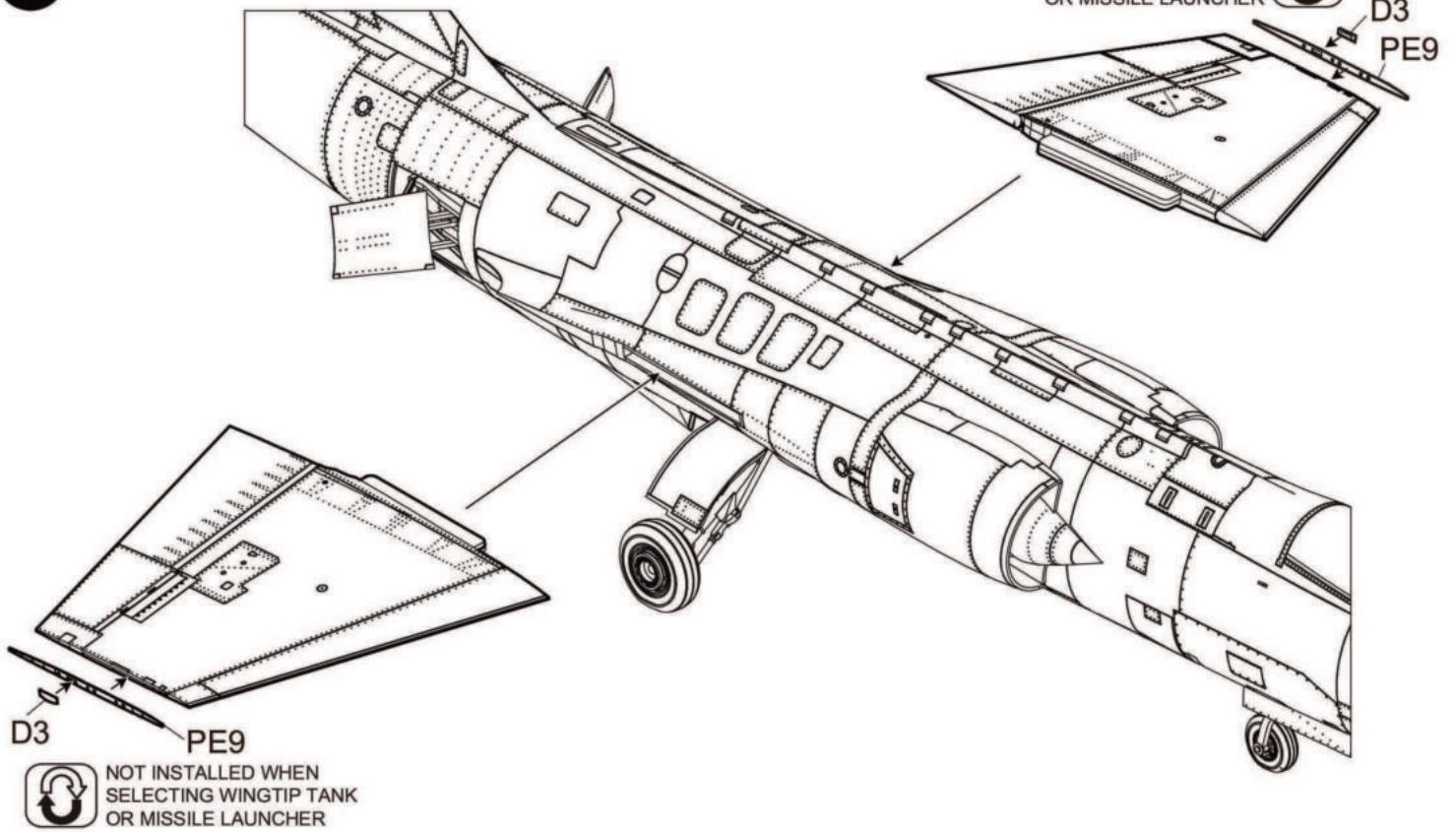


23

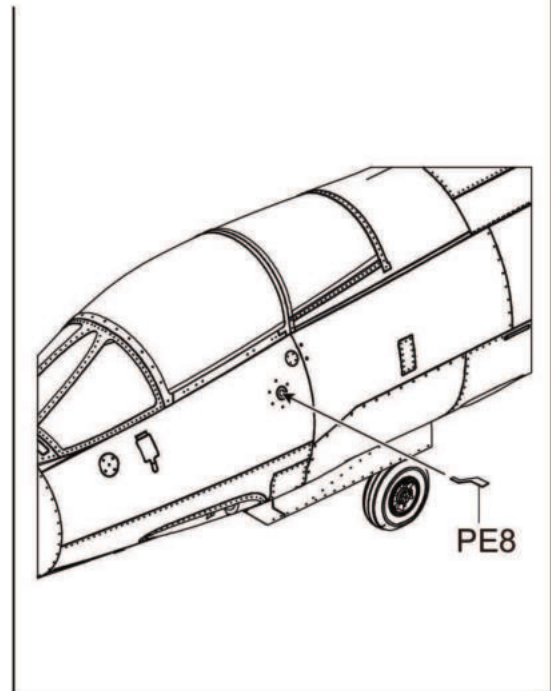
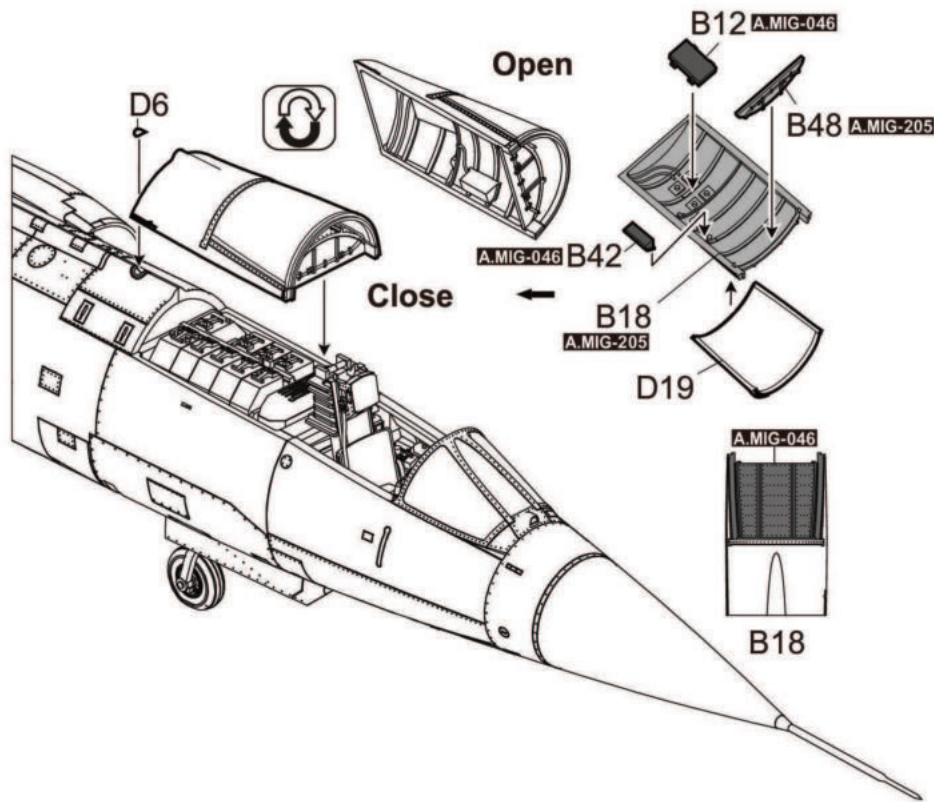


24


NOT INSTALLED WHEN
SELECTING WINGTIP TANK
OR MISSILE LAUNCHER

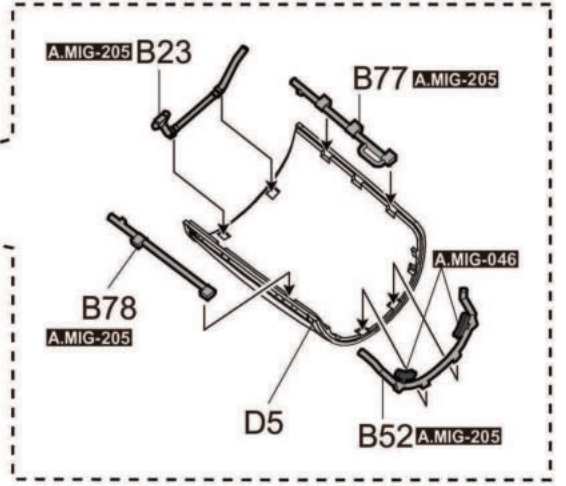
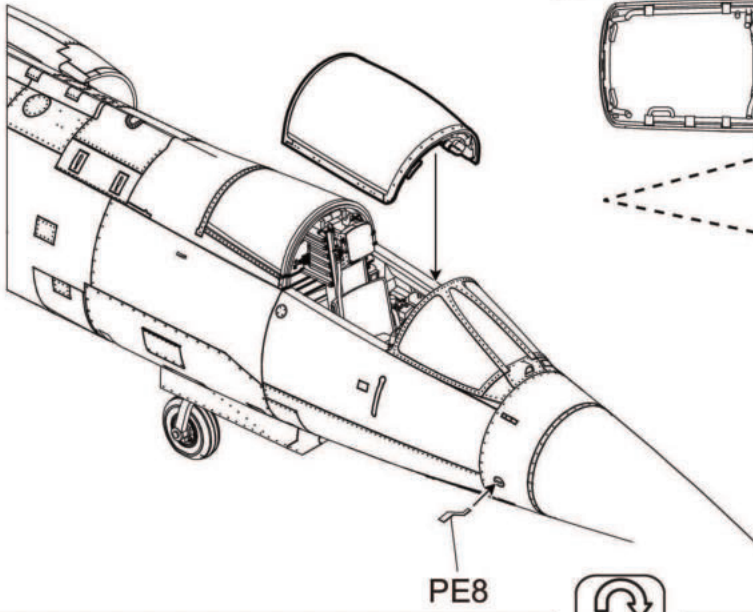


25

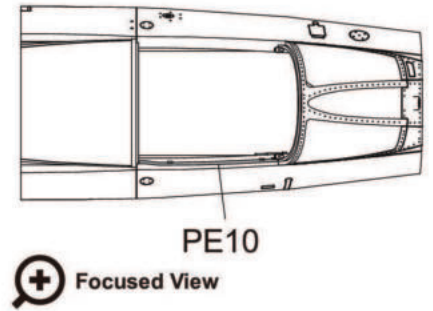
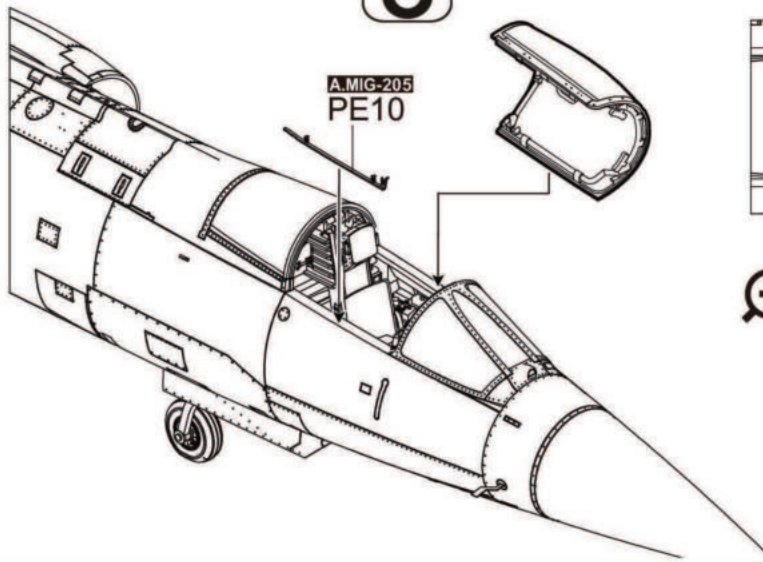


26 Canopy Close

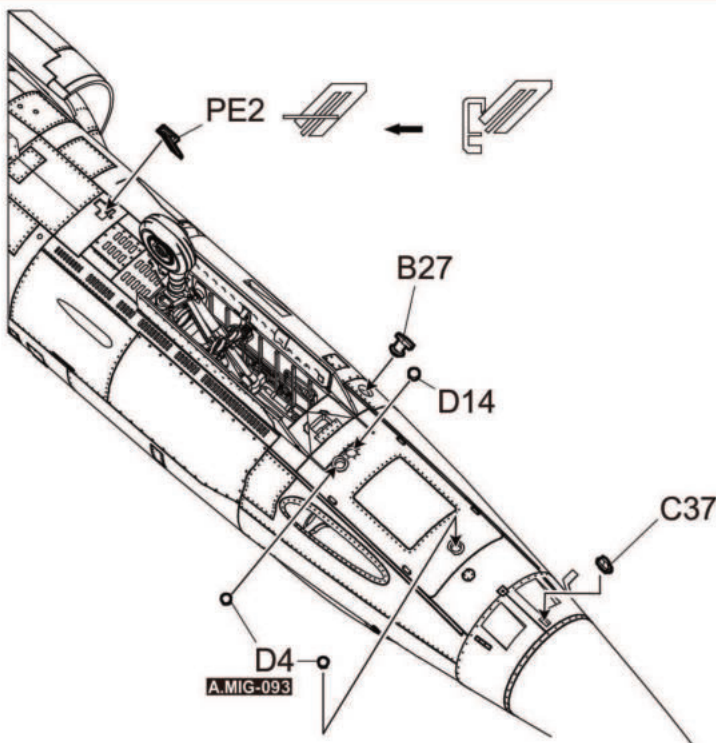
 Focused View



Canopy Open



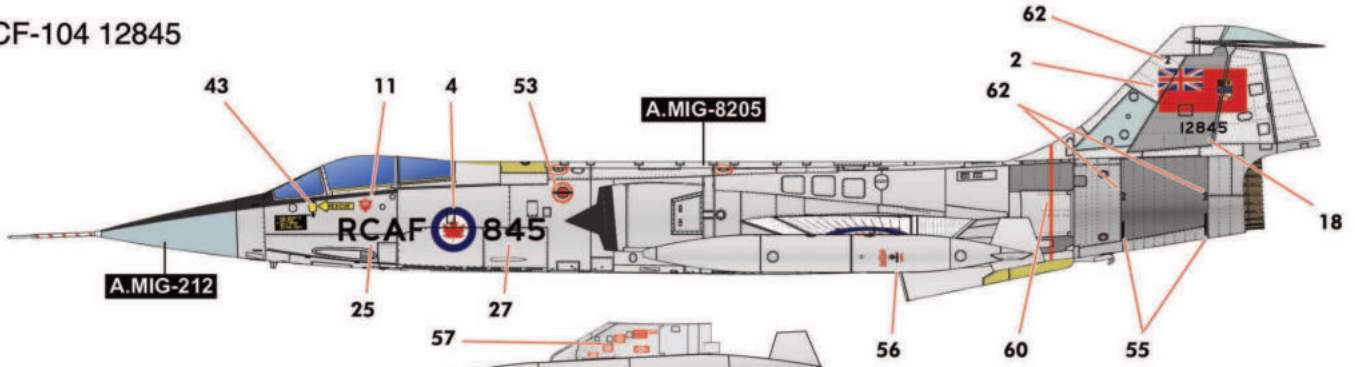
27



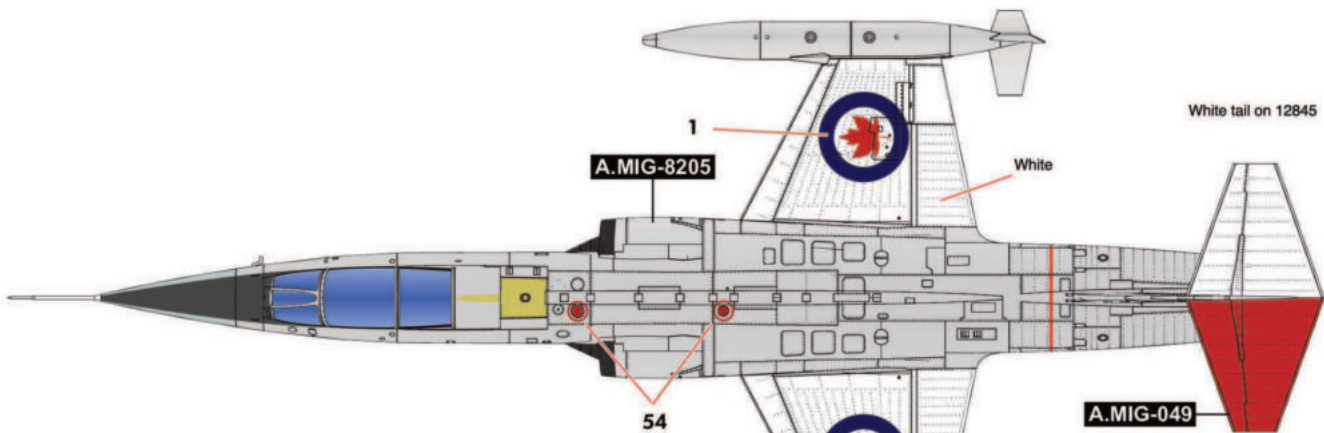
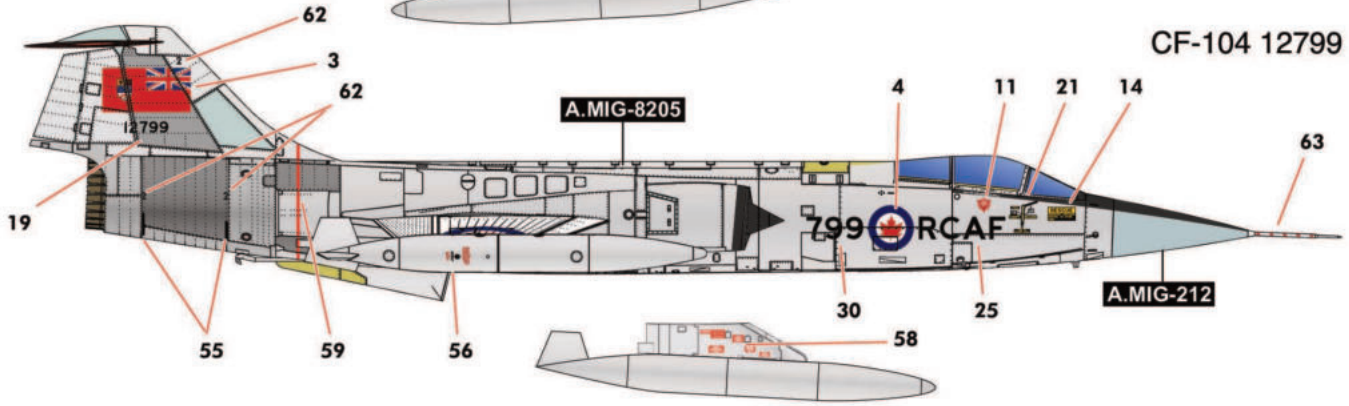
1/48 SCALE AIRCRAFT SERIES NO.K48127

1. Royal Canadian Air Force (RCAF) scheme; natural metal with Red Ensign flag. 1961~mid 1968

CF-104 12845



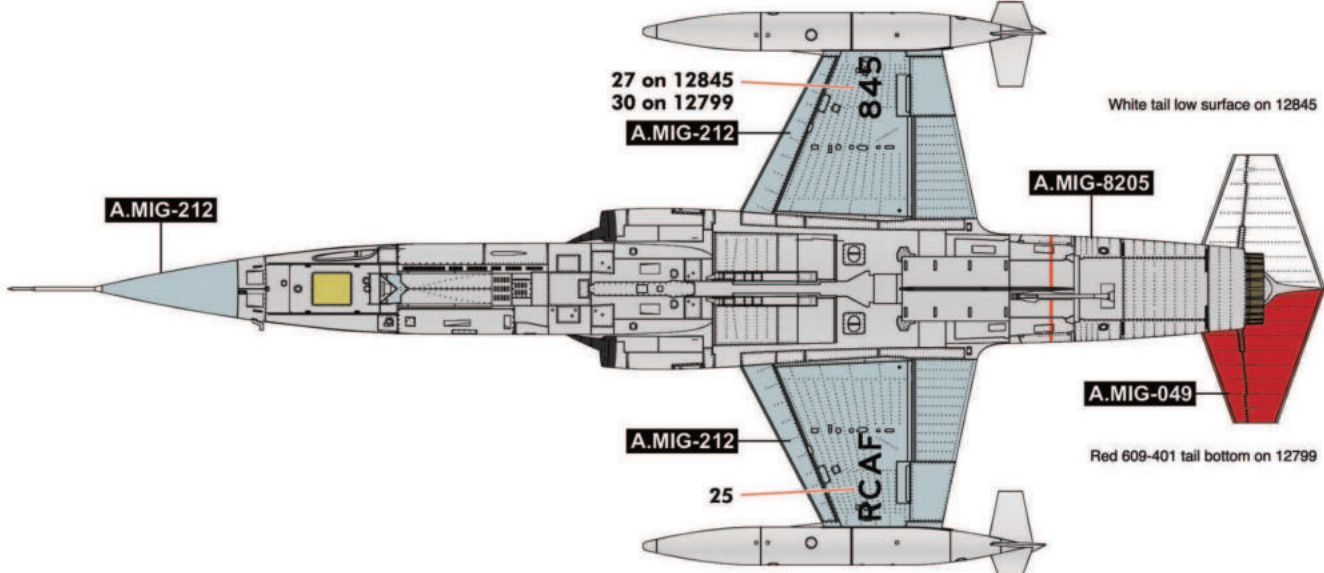
CF-104 12799



White tail on 12845

Red tail on 12799

- A.MIG-8205
- A.MIG-212 on wing bottoms & radome
- A.MIG-049



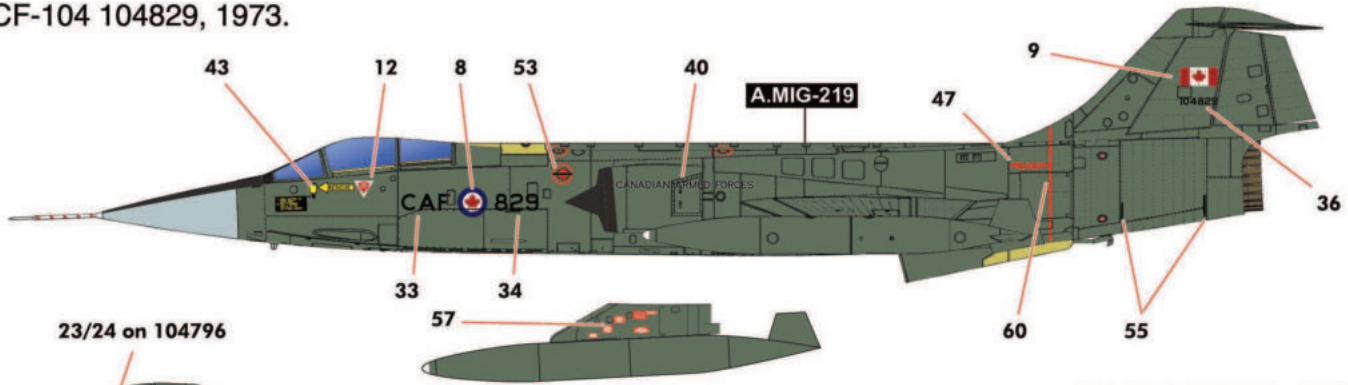
White tail low surface on 12845

Red 609-401 tail bottom on 12799

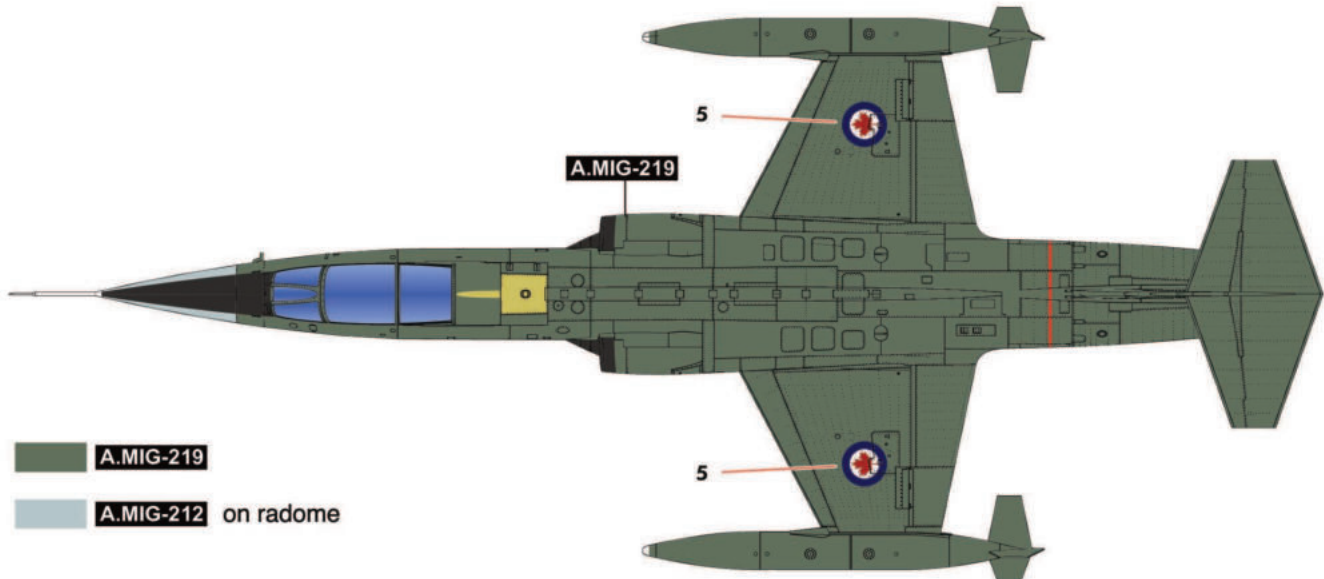
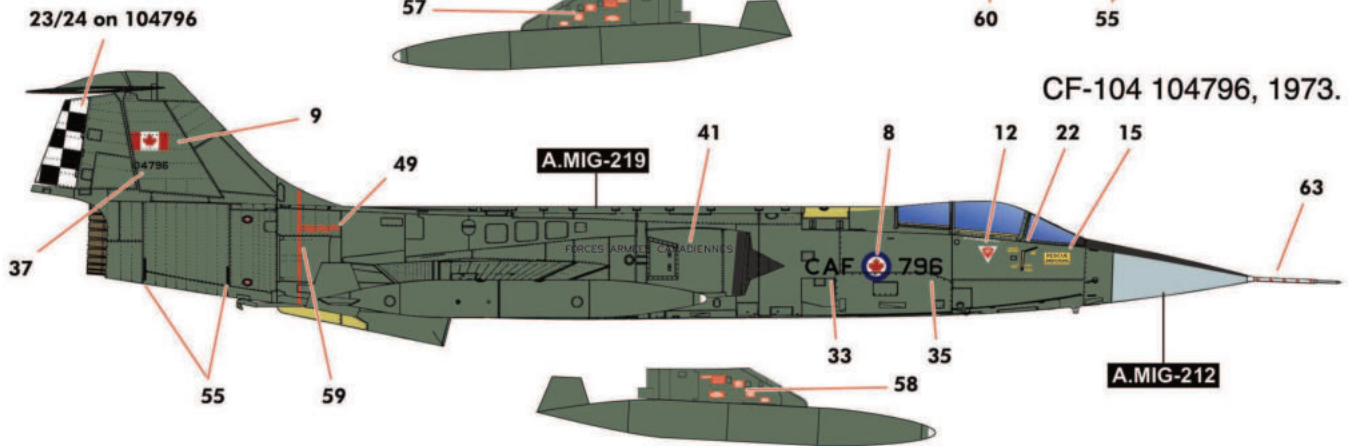
1/48 SCALE AIRCRAFT SERIES NO.K48127

2. Green camouflage for the new low level attack mission. 1972~1973.

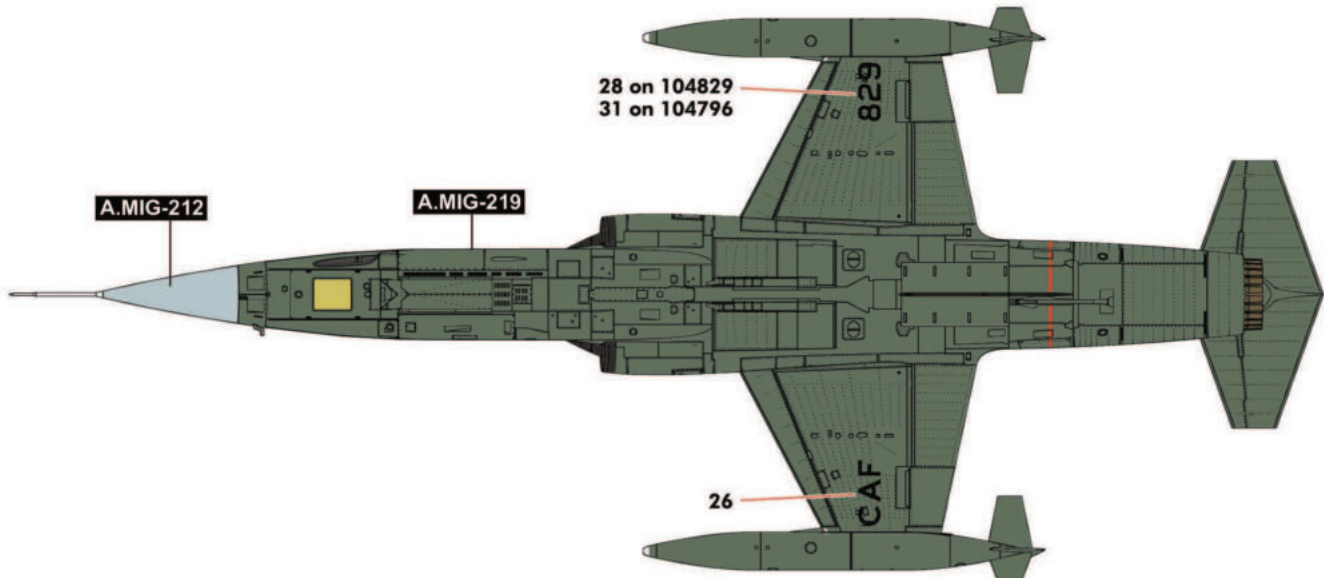
CF-104 104829, 1973.



CF-104 104796, 1973.

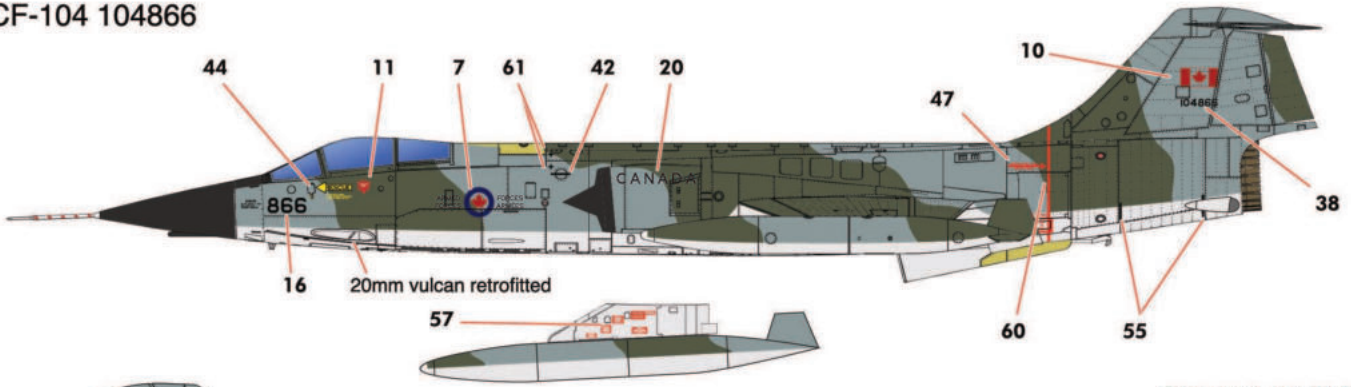


A.MIG-219
A.MIG-212 on radome

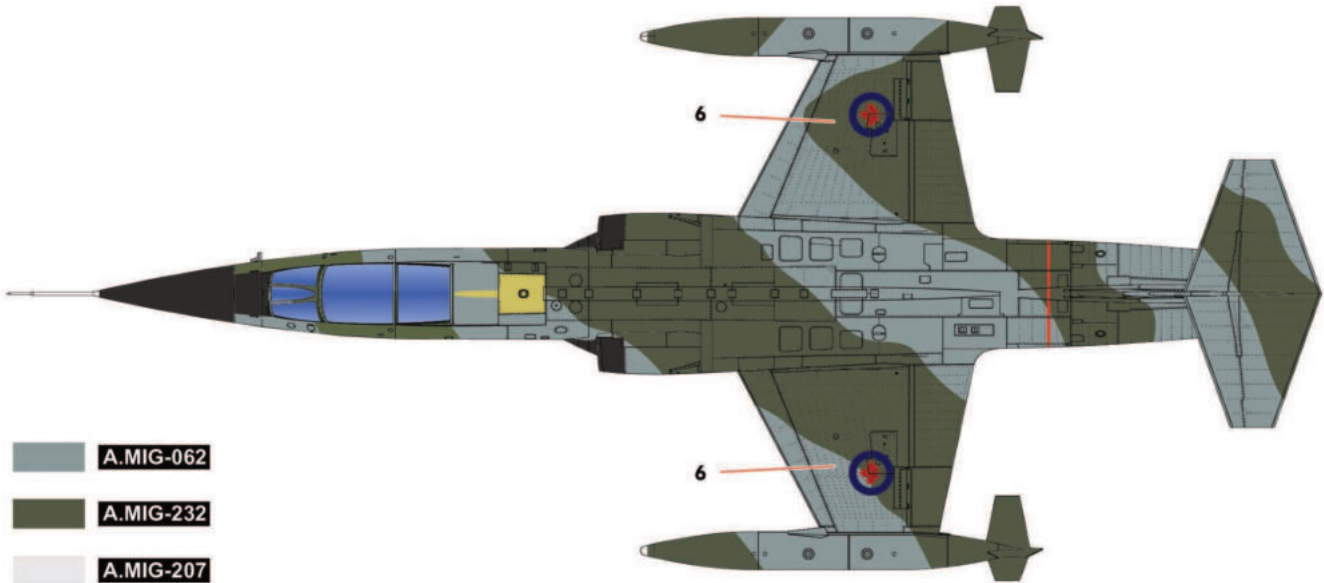
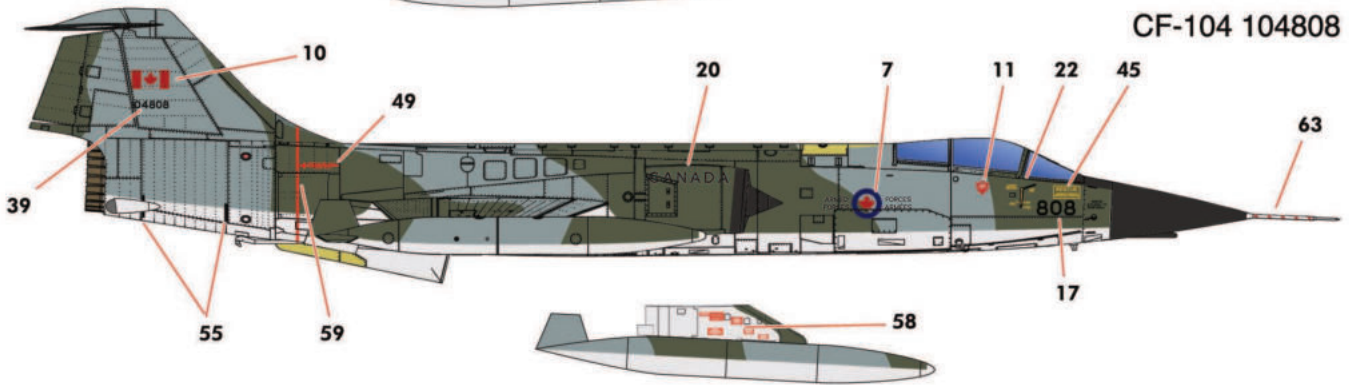


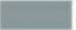

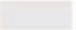
3. Variegated camo with subdued markings was adopted in late 70s

CF-104 104866



CF-104 104808



-  A.MIG-062
-  A.MIG-232
-  A.MIG-207

