

1:72 SCALE

ITEM NO.:07162

# Russian KV-2 with 107mm zis-6

俄罗斯KV-2坦克-107mm zis-6 炮管



### READ BEFORE ASSEMBLY:

- Study and understand these instructions thoroughly before beginning assembly
- When needed, remove photo-etch parts carefully using a modeling knife or photo etch sprue cutter, being careful not to damage or lose small parts.
- Take extra care in handling photo etch parts in order to avoid injury
- Apply instant cement sparingly to photo etch parts where instructed
- Tools recommended(not included in kit):Plastic and instant cements,sprue cutters,long nose pliers.,modeling knife, small files, tweezers, pin vise & scissors. Soft cloth and sandpaper will also assist in construction
- Glue and paint are not included in the kit. Use plastic cement and hobby paints only. Color guide for purchasing paint is included in the kit.

### 装配之前仔细阅读

- 小心用模型锉刀锉平所有零件表面的注射浇口。
- 小心用刀片切下蚀刻片零件，不要遗失小零件。
- 用强力快干胶水粘合蚀刻片零件和金属轴。过量的快干胶水使用可能导致可动零件会粘住，小心涂胶。
- 取蚀刻片时应特别注意安全，防止利刃划伤手指。
- 某些零件表面需贴水上贴纸，请选择在装配的同时进行。
- 推荐模型工具(自备)：胶水，水口剪刀，长咀钳，刀片，锉刀，镊子，钳，钻，剪刀，瞬间快干胶。
- 软布同砂纸同时也应该是必备工具。
- 请使用塑料胶水和油漆，模型内不含。



cianoacrylate glue  
使用强力胶



weight  
配重



make hole  
钻孔



cut / remove  
切除



bend  
弯曲



file / sand  
锉平



option  
选择



no cement  
不涂胶水



decal  
贴纸



先装  
Install it first

### 水贴纸的使用:

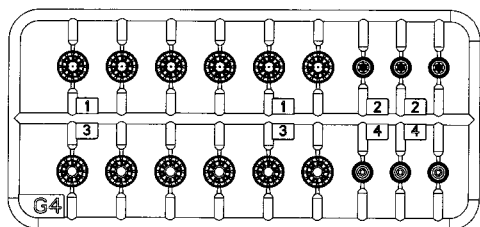
1. 从水贴纸上剪下印花;
2. 将印花放入温水中浸10秒, 然后放在干净布上.
3. 拿着印花纸板将印花移到模型上;
4. 手指蘸水将印花移到适当的位置;
5. 用软布轻压印花直至水干, 气泡消失.

### DECAL APPLICATION

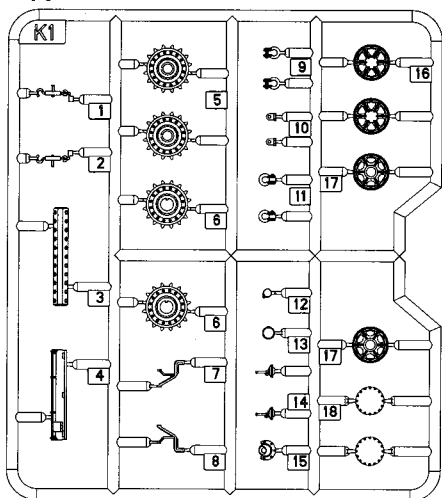
1. Cut off decal from sheet.
2. Dip the decal in tepid water 40°C for about 10 sec. and place on a clean cloth.
3. Hold the backing sheet edge and slide decal onto the model.
4. Move decal into position by wetting decal with finger.
5. Press decal gently down with a soft cloth until excess water and air bubbles are gone.
6. Allow decal to dry completely before handling model.

# 部品图 Parts

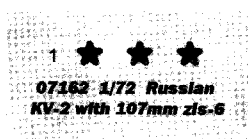
Gx2



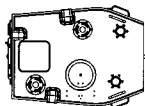
K



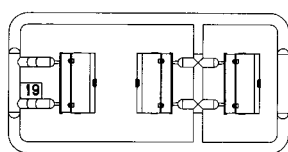
《水贴纸》  
Decal



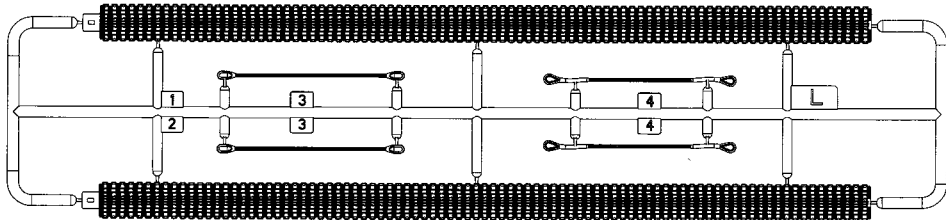
《炮塔》  
Turret



K

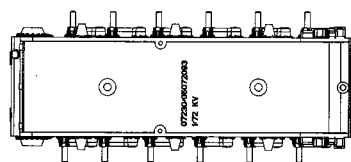


L

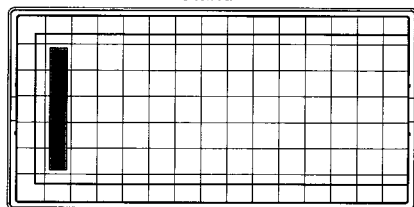


不用部件: L4  
Unused parts

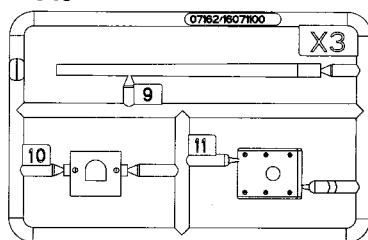
《车底》  
Lower hull



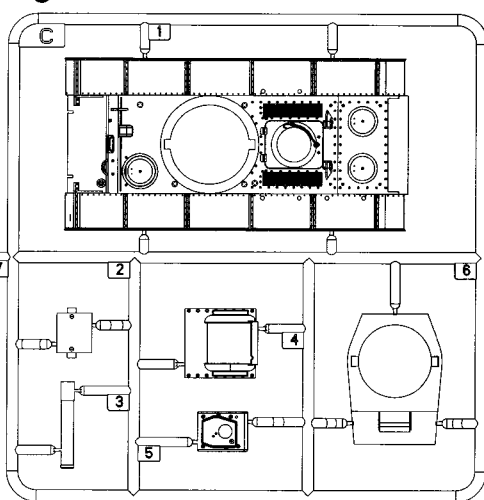
《底座》  
Stand



X3

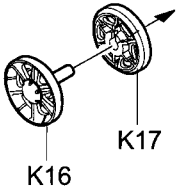


C



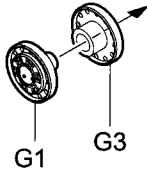
# 1 车轮组装 Wheels assembly

《诱导轮》  
Idler wheel



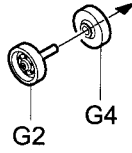
制作2套  
Make two

《负重轮》  
Road wheel



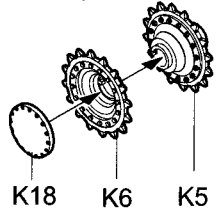
制作12套  
Make twelve

《托带轮》  
Support rollers



制作6套  
Make six

《驱动轮》  
Drive sprocket

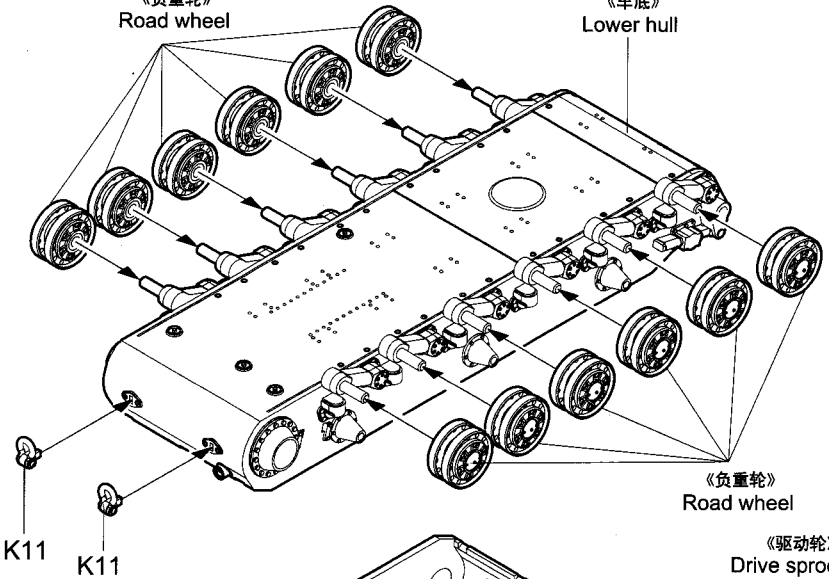


制作2套  
Make two

# 2 车底组装 Lower hull assembly

《负重轮》  
Road wheel

《车底》  
Lower hull



《负重轮》  
Road wheel

《驱动轮》  
Drive sprocket

K11 K11

K8

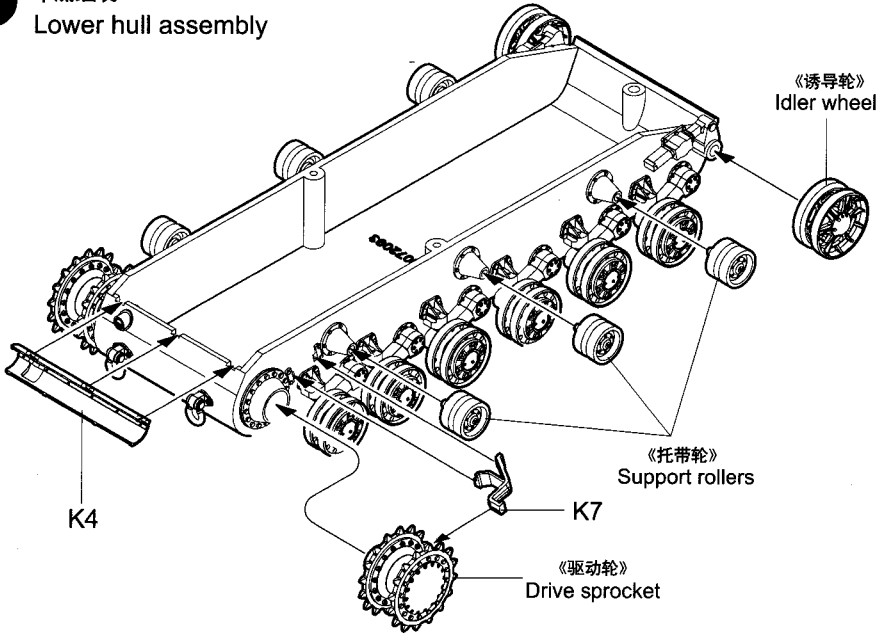
K10

K10

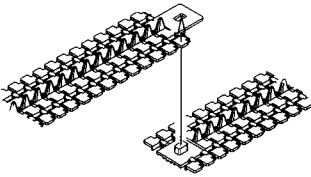
《诱导轮》  
Idler wheel

《托带轮》  
Support rollers

**3** 车底组装  
Lower hull assembly

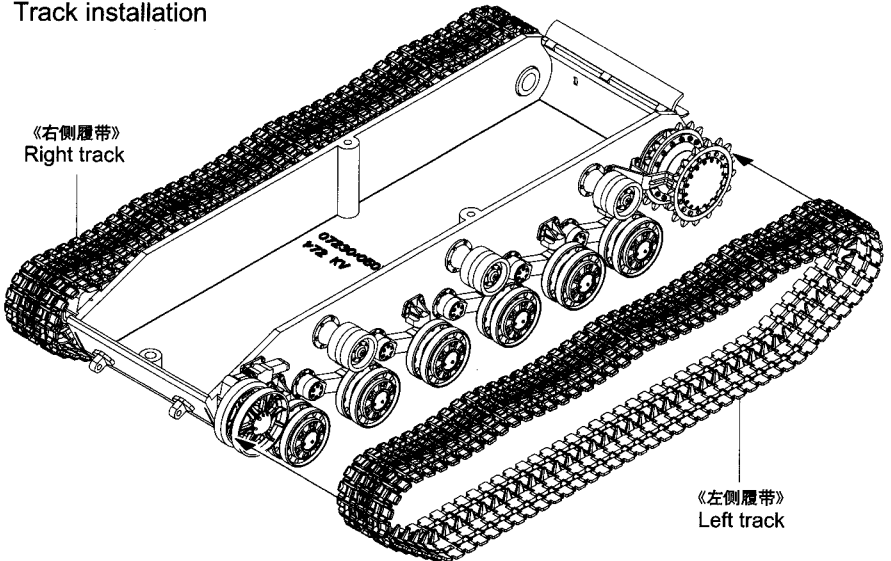


**4** 履带连接  
Track construction

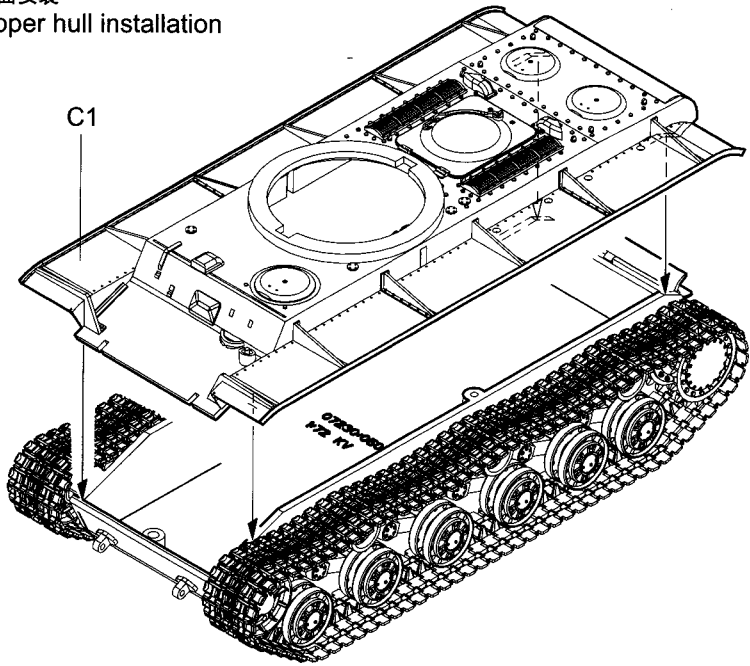


- \* 履带可用塑料胶水粘合。
- \* 履带可用模型油漆喷涂。
- \* 若履带断裂，用细丝线固定。
- \* The tracks in this kit can be glued using plastic cement.
- \* The tracks can be painted using plastic paints.
- \* If track is broken strengthen with staples or thread.

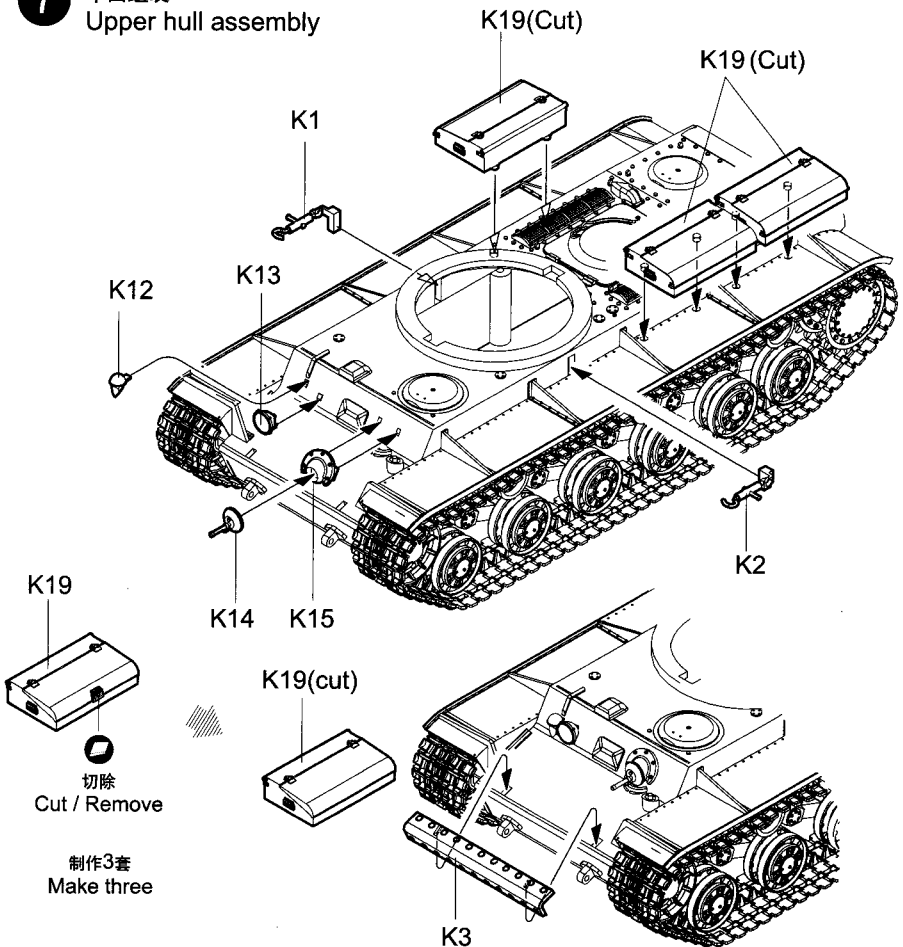
**5** 履带安装  
Track installation



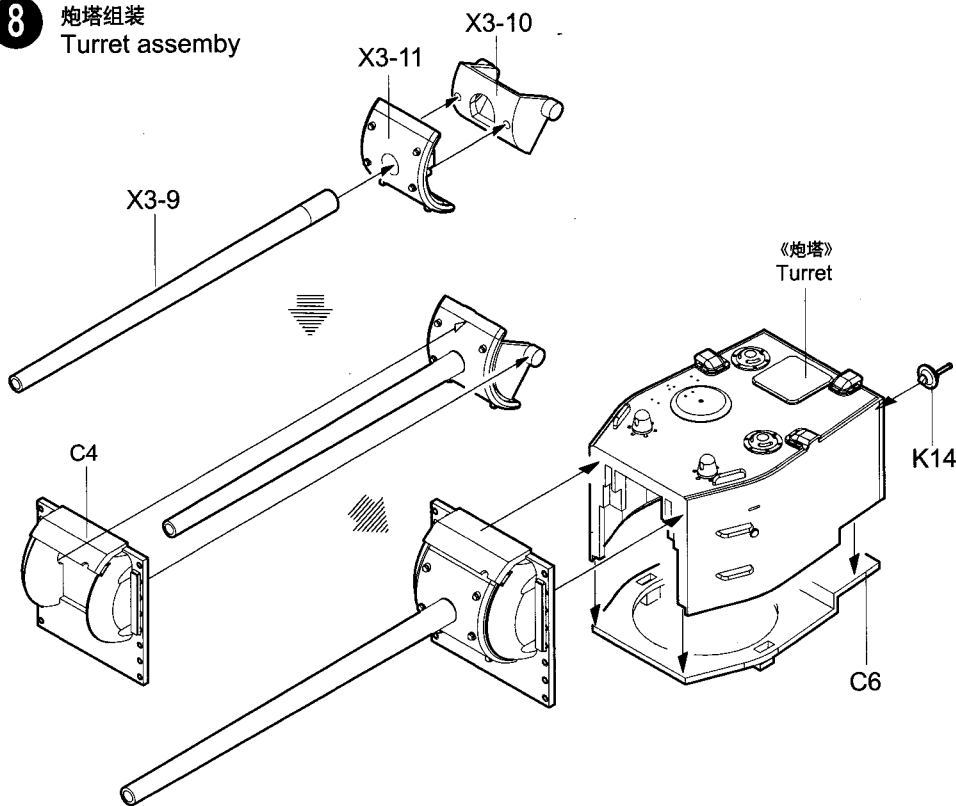
**6** 车面安装  
Upper hull installation



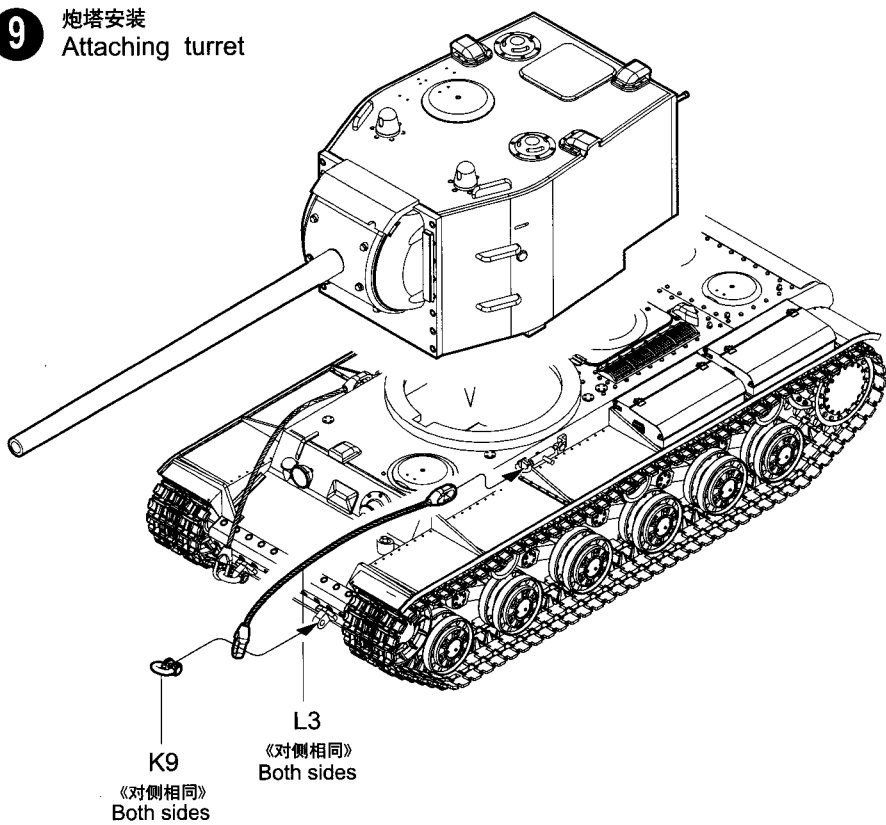
**7** 车面组装  
Upper hull assembly



**8** 炮塔组装  
Turret assembly

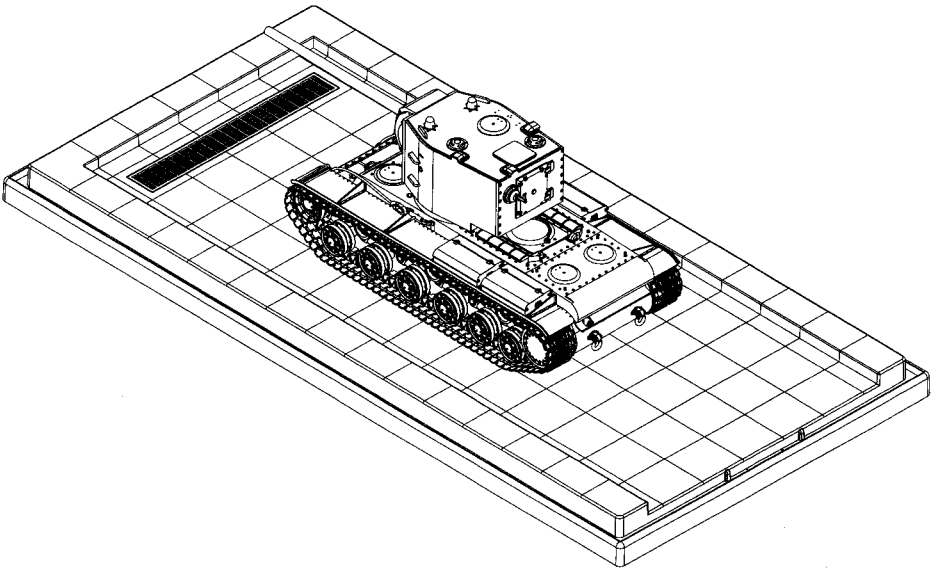
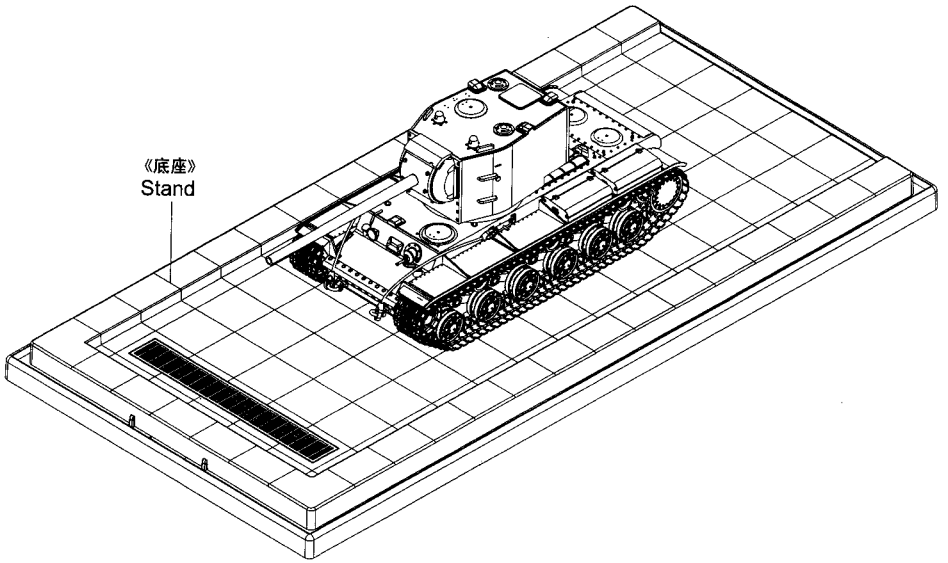


**9** 炮塔安装  
Attaching turret



10

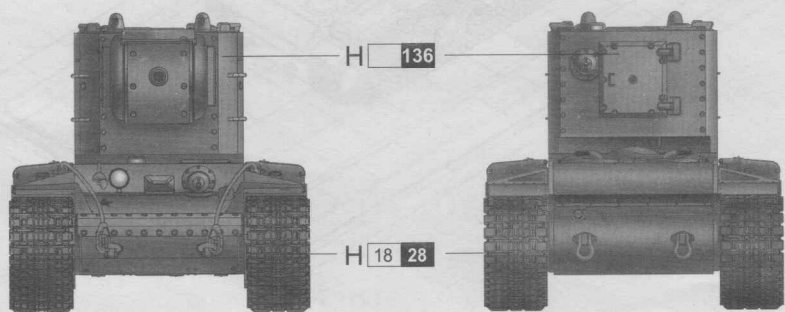
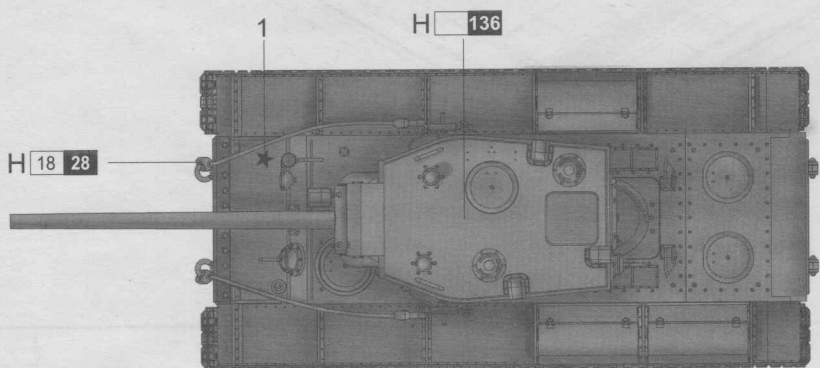
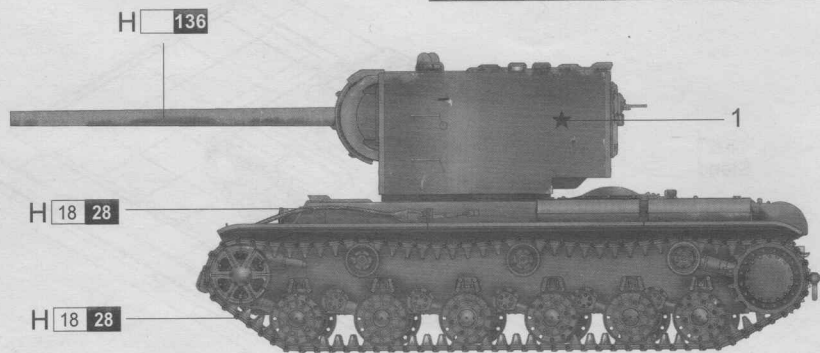
完成  
Finish



# 涂装同标贴指示 Painting & Marking guide

## PAINT REFERENCE COLOUR

Color	Mr.Hobby	Vallejo	Model Master	Tamiya	Humbrol
Russian Green(2) 苏联绿	H 136	823	---	---	---
Steel 黑铁色	H 18 28	864	1402	---	---





# 涂装同标贴指示 Painting & Marking guide

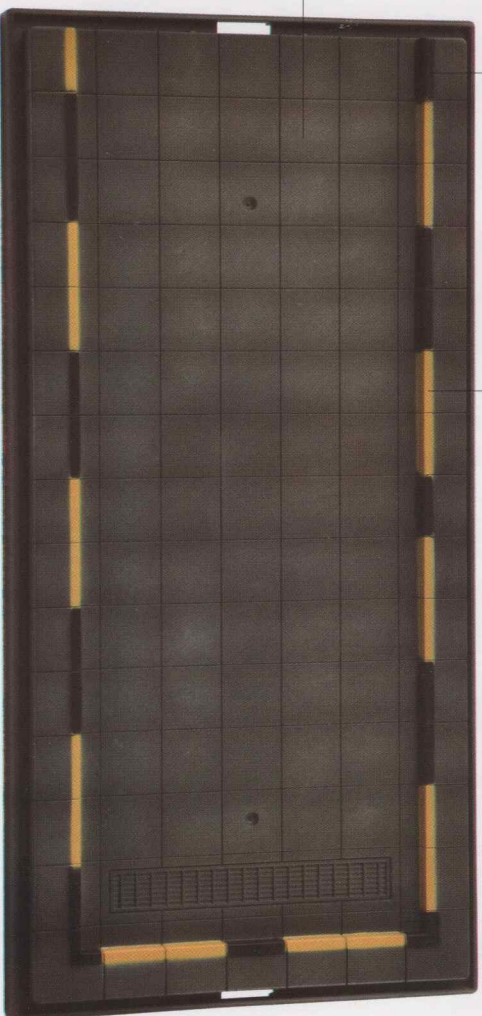
## PAINT REFERENCE COLOUR

Color	Mr.Hobby	Vallejo	Model Master	Tamiya	Humbrol
Flat Black 消光黑	H 12 33	950	1749	XF1	33
Yellow 黄色	H 4 4	953	1514	X8	69
Engine Gray 灰色	H 301 301	866	-	XF24	-

H 12 33

H 4 4

H 301 301



H  AQUEOUS HOBBY COLOR     Mr. COLOR