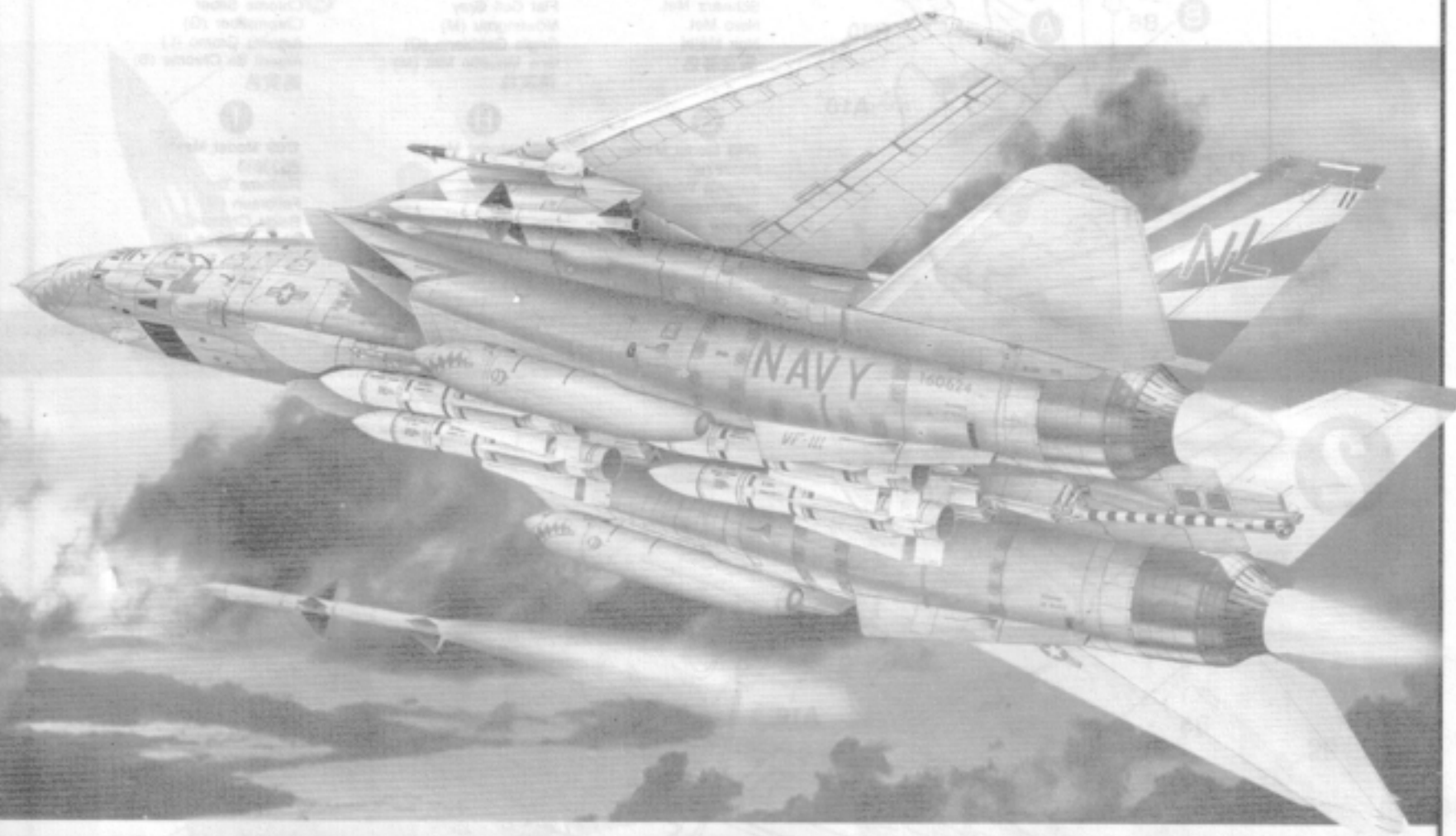
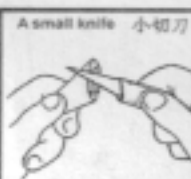
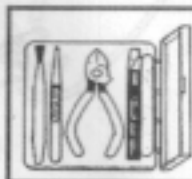


# F-14D TOMCAT PLUS



Read before assembly.  
组装前敬请仔细阅读。



Cut away  
割去



Repeat operation  
重复操作



Caution  
特别注意



stick on the decal  
贴水上贴纸



Cement parts  
用胶粘接



DO NOT cement  
不用胶粘接



pressing thing  
压仓物



Optional parts  
可选的部分

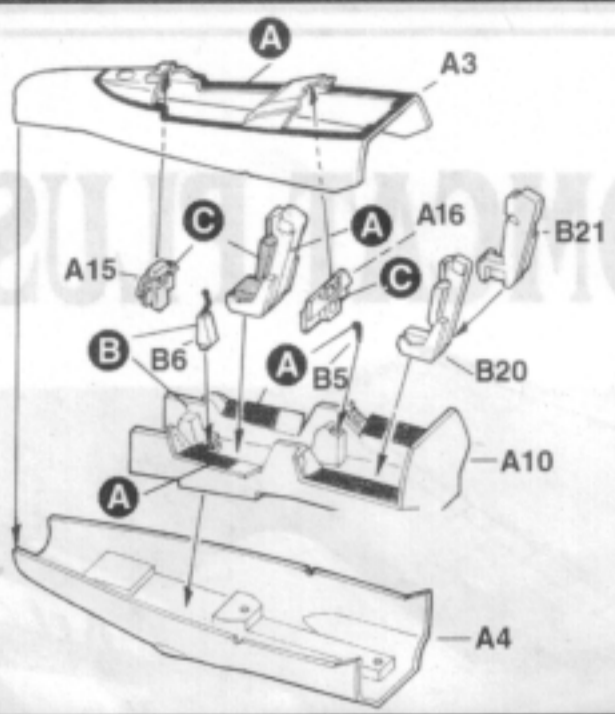
## CAUTION:

1. Before you start assembly, you should read all the instructions carefully.
2. Please have all the necessary tools ready before start assembling.
3. Please use a cutter to help to remove plastic parts. Be careful, do not break off any plastic parts.
4. The remove plastic parts have sharp, pointed or jagged edges. These edges have to be soften with a file or sandpaper.
5. Check the fitness of each part before cementing
6. Do not use glue or paint near an open flame. Keep the window open.
7. Plastic bags can be dangerous. To avoid danger of suffocation keep this bag away from babies and children.
8. Do not use too much cement to join parts. Too much cement could hinder the assembly.
9. For child age 8 and up.

## 注意:

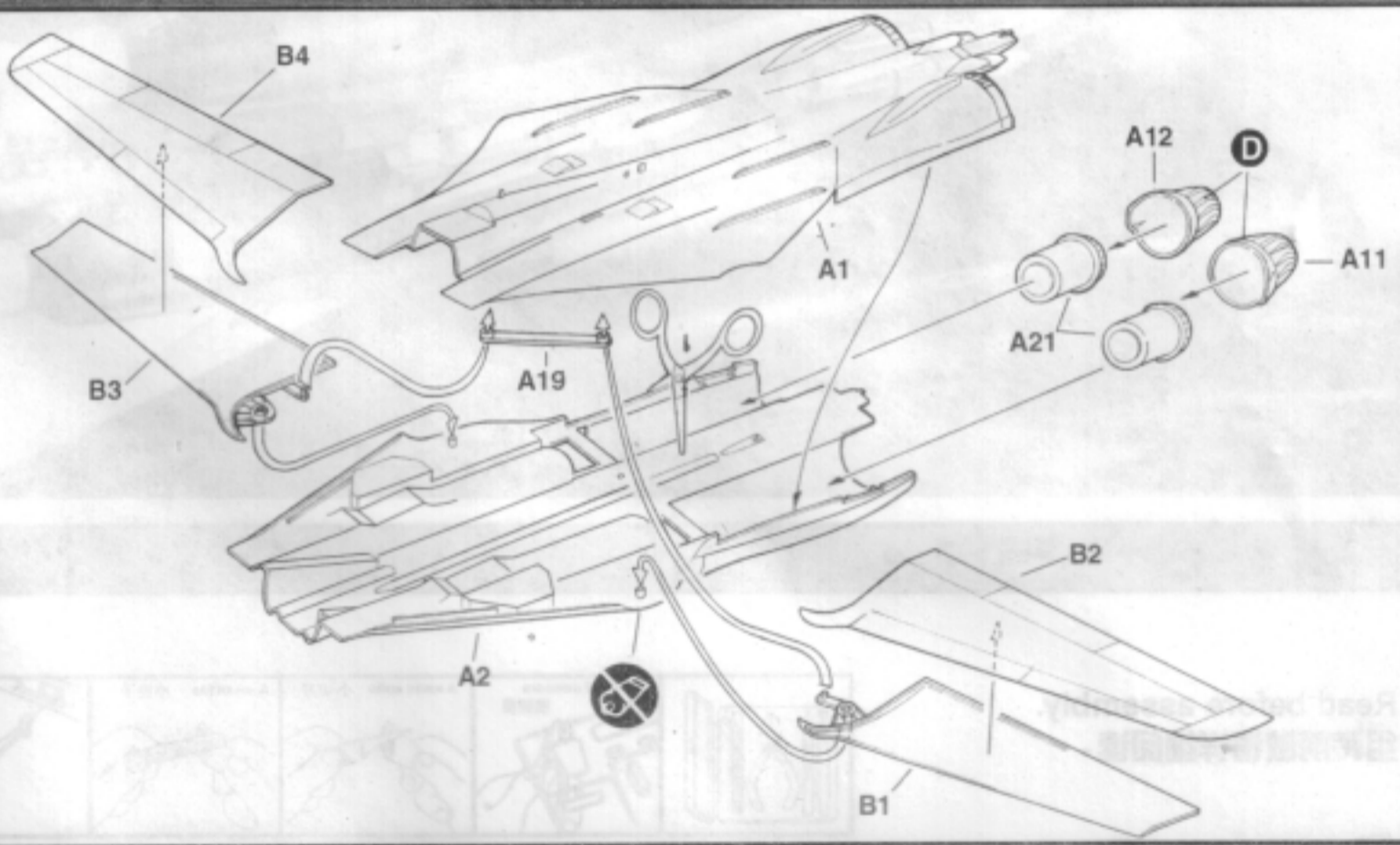
本品适合8岁以上,请在大人的监护下使用。使用工具应小心,注意安全。用模型剪从注塑片中取出零件,修去多余料头及飞边,勿拔取零件。使用模型胶勿过量,不得近火源。商品的空袋为了不让小孩套在头上,请撕毁。禁止把零件吞入口。  
执行标准:Q/FZDF 001-2001

**1**

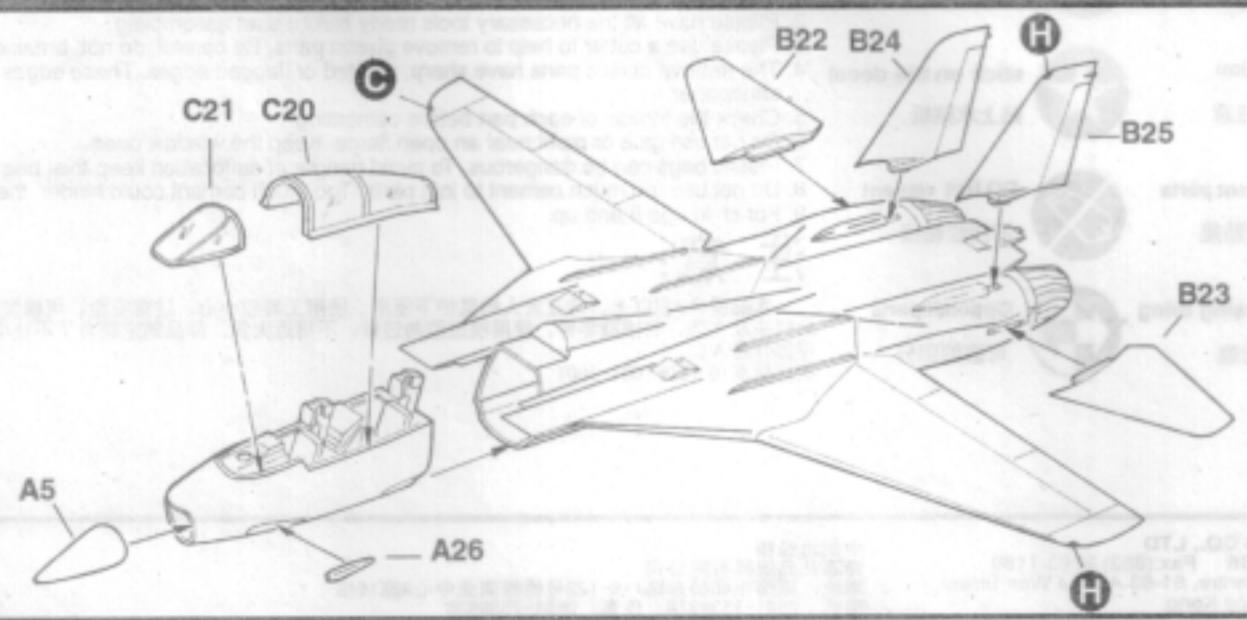


- |   |  |  |
|---|--|--|
| <p><b>A</b><br/>1749 Model Master<br/>FS37038<br/>Flat Back<br/>Schwarz (M)<br/>Nero (O)<br/>Noir Mat (M)<br/>淡黑色</p>                         | <p><b>B</b><br/>1740 Model Master<br/>FS36231<br/>Dark Gulf Gray<br/>Möwengrau Dunkel (M)<br/>Grigio Gabbiano Scuro (O)<br/>Gris Mouette Foncé (M)<br/>深灰色</p> | <p><b>C</b><br/>1711 Model Master<br/>FS34087<br/>Olive Drab<br/>Olive (M)<br/>Verde Oliva (O)<br/>Olive Sale (M)<br/>橄欖色</p>                  |
| <p><b>D</b><br/>2713 Model Master<br/>Black Met.<br/>Schwarz Met.<br/>Nero Met.<br/>Noir Métal<br/>黑金屬色</p>                                   | <p><b>E</b><br/>1730 Model Master<br/>FS36440<br/>Flat Gulf Gray<br/>Möwengrau (M)<br/>Grigio Gabbiano (O)<br/>Gris Mouette Mat (M)<br/>淺灰色</p>                | <p><b>F</b><br/>1790 Model Master<br/>FS17178<br/>Chrome Silber<br/>Chromsilber (G)<br/>Argento Cromo (L)<br/>Argent de Chrome (B)<br/>鍍黃色</p> |
| <p><b>G</b><br/>1745 Model Master<br/>FS17875<br/>Insignia White<br/>Signalweiss (G)<br/>Bianco Segnale (L)<br/>Blanc Insignes (B)<br/>白色</p> | <p><b>H</b><br/>1503 Model Master<br/>Red<br/>Rot (G)<br/>Rosso (L)<br/>Rouge (B)<br/>紅色</p>   | <p><b>I</b><br/>1709 Model Master<br/>FS33613<br/>Radome Tan<br/>Fellbraun (M)<br/>Beige Chiaro (O)<br/>Brun Radôme (M)<br/>棕褐色</p>            |

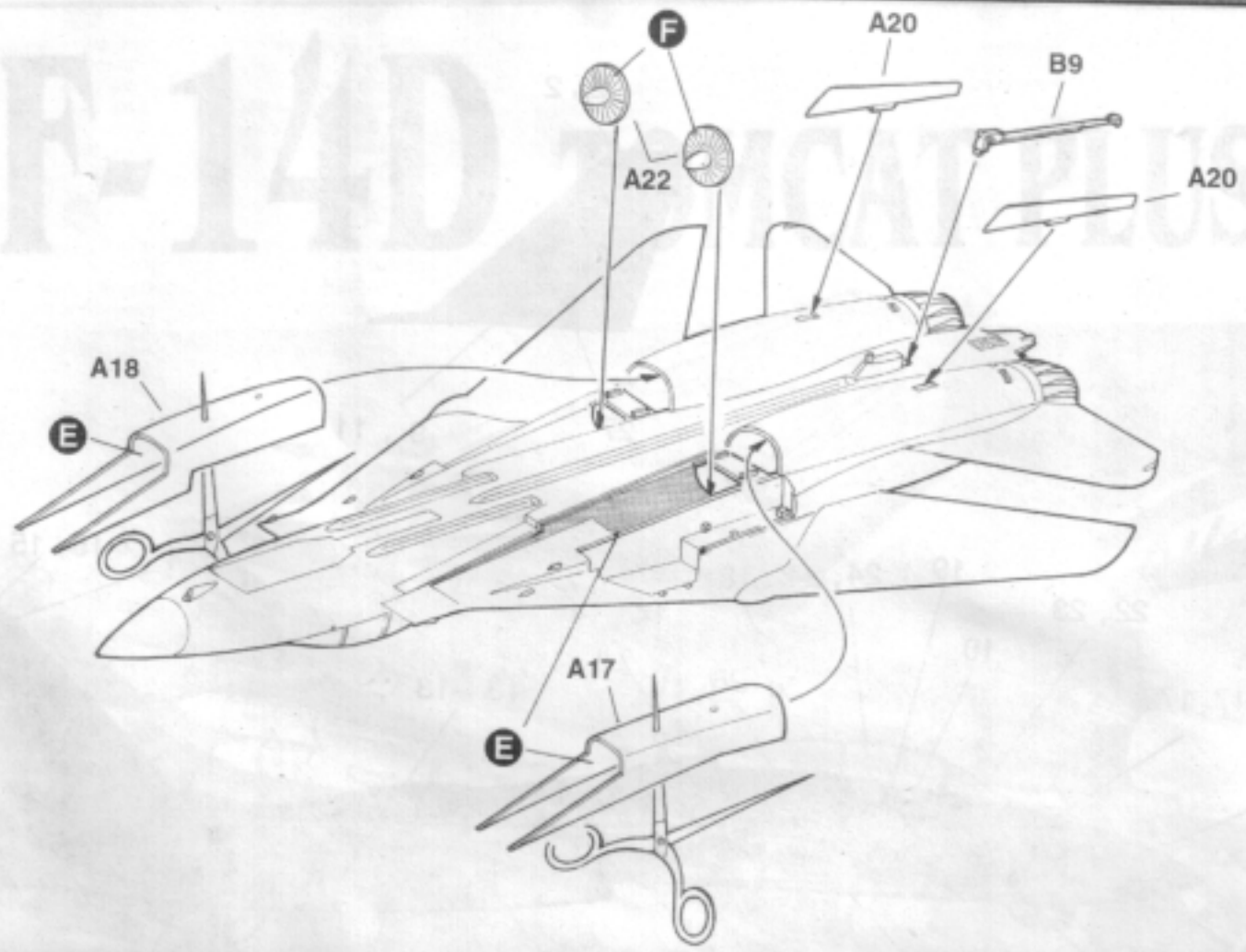
**2**



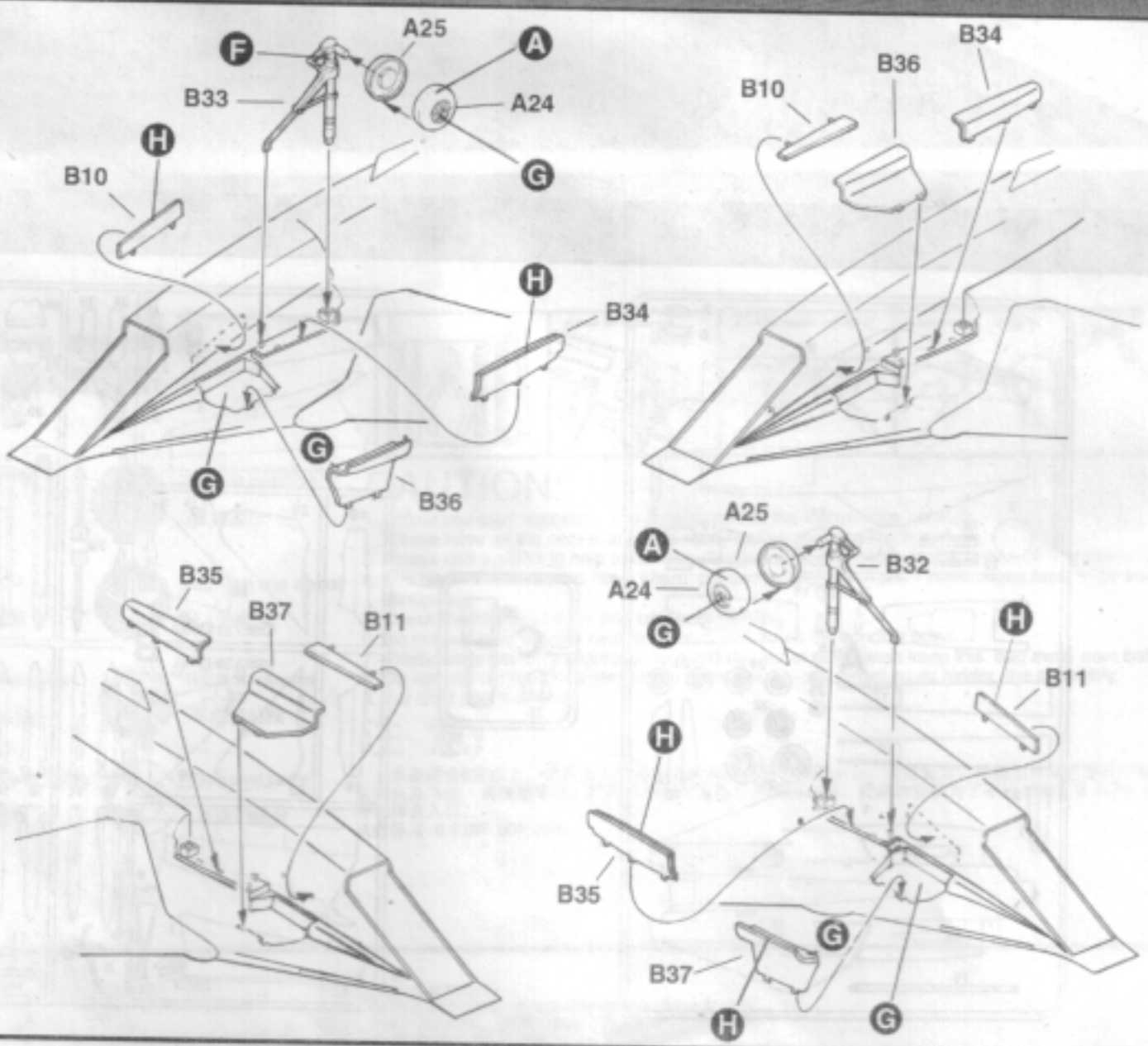
**3**



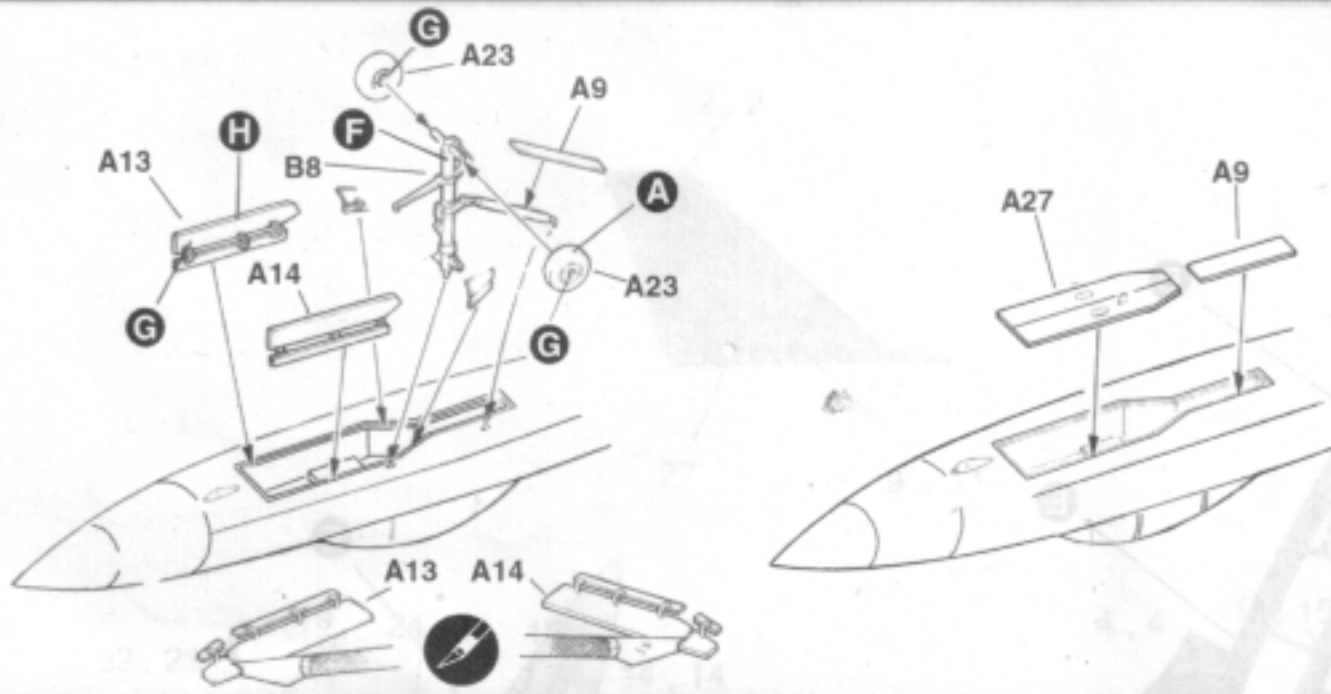
4



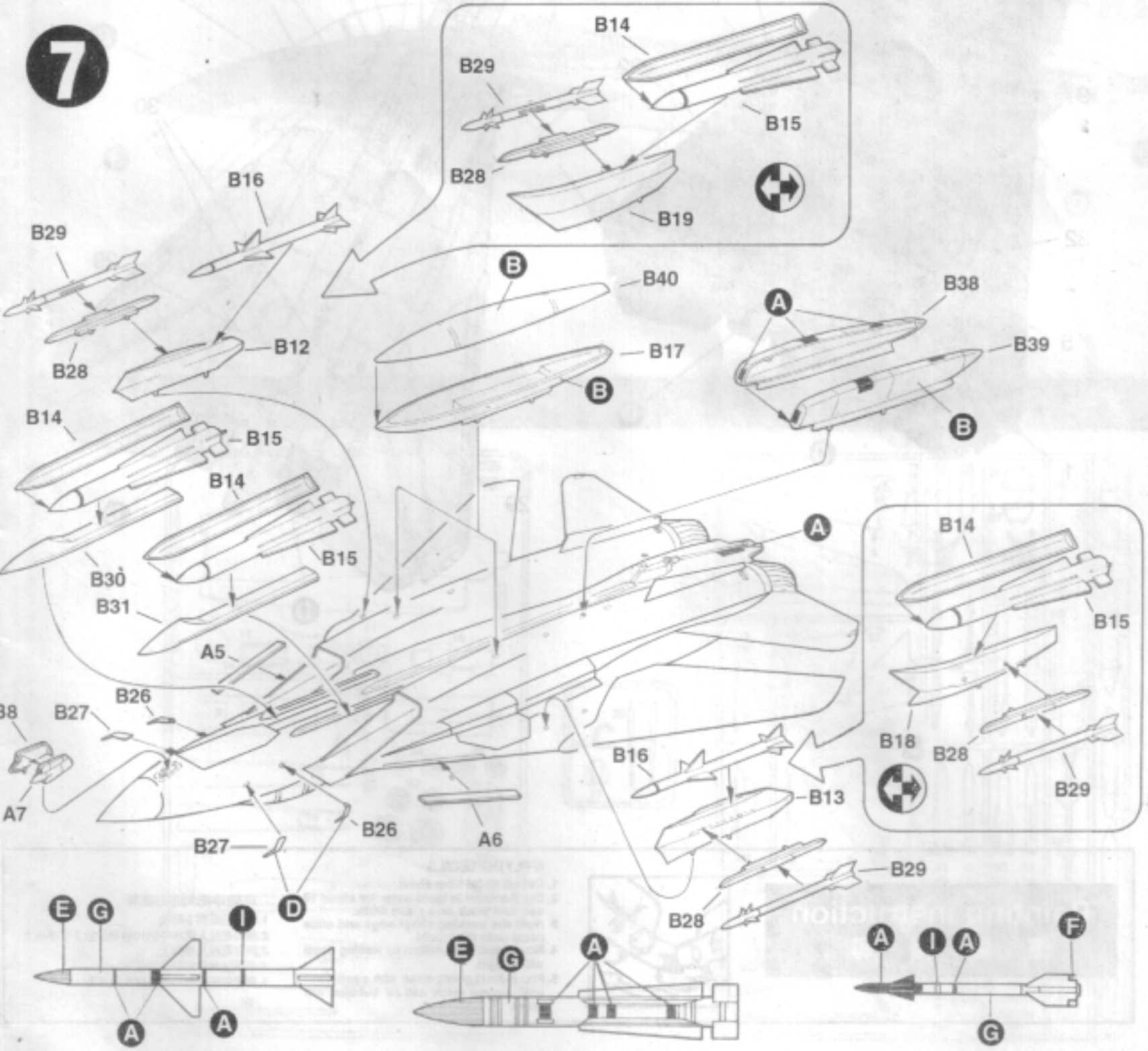
5



6



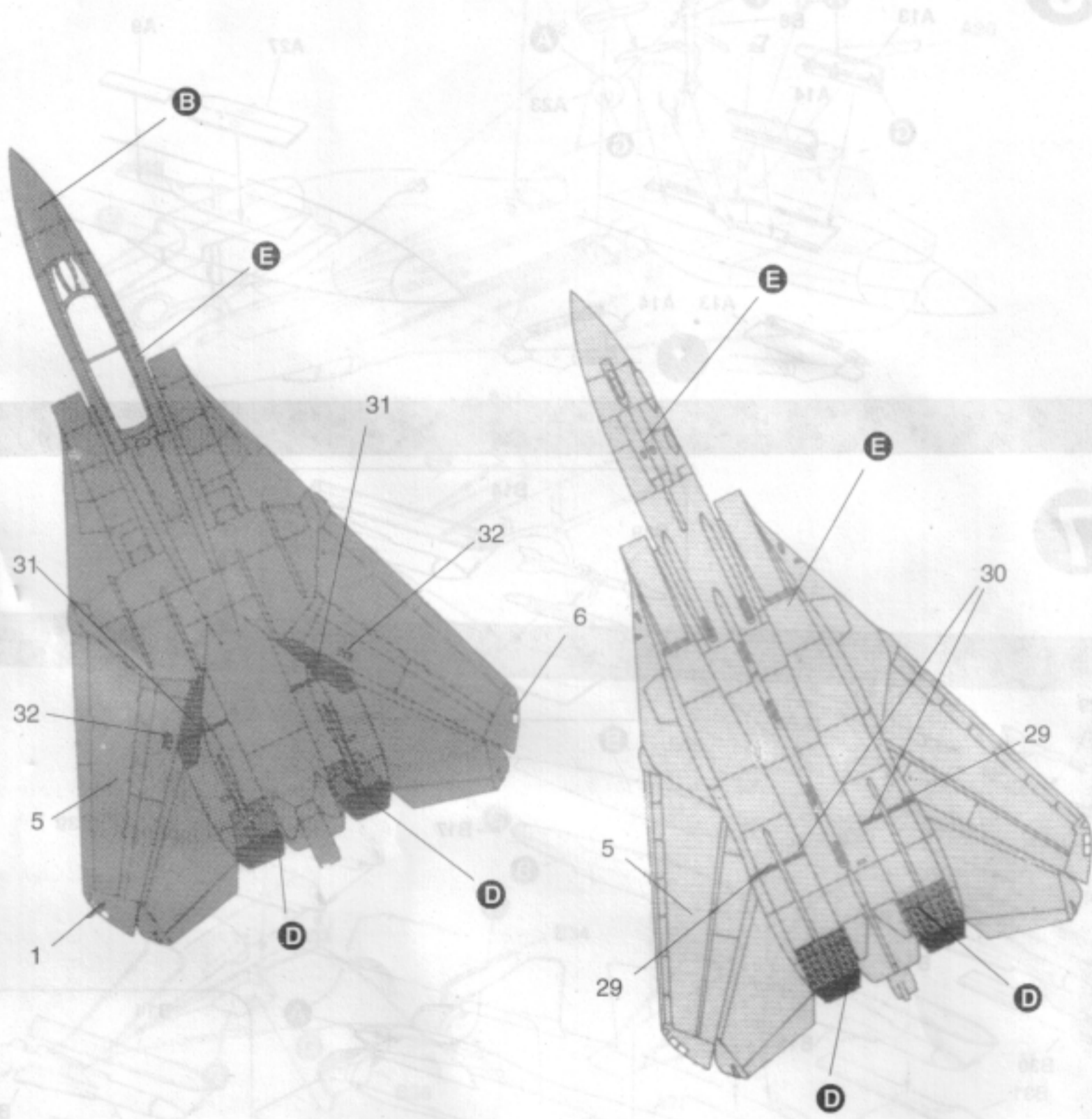
7



4

6

7



**Painting instruction**  
塗裝指導



**APPLYING DECALS**

1. Cut off decal from sheet.
2. Dip the decal in tepid water for about 10 sec. and place on a clean cloth.
3. Hold the backing sheet edge and slide decal onto the model.
4. Move decal into position by wetting decal with finger.
5. Press decal gently down with a soft cloth until excess water and air bubbles are gone.

**印花(印花水貼紙)應用**

1. 由印花紙剪下印花。
2. 將印花放入溫水中的約10秒然後放於乾淨布上。
3. 將印花移入模型上。
4. 手指沾水移按印花到位置。
5. 用軟布輕輕壓印花直到水泡消失。

