

MIRAGE IIIS/RS



MIRAGE IIIS/RS

In 1961, Switzerland bought a single Mirage IIIC from France which was used as development aircraft. The Swiss Mirages were built in Switzerland, cost overruns during the Swiss production led to the so-called "Mirage affair". Mirage IIIS interceptors were built with strengthened wings, airframe, and undercarriage. The airframes were reinforced so the aircraft could be moved by lifting them over other aircraft with a crane, as the aircraft caverns in the mountains that Swiss Air Force uses as bunkers offer very little space to maneuver parked aircraft.

The Swiss Mirages are equipped with RWS, chaff & flare dispensers. Avionics differed as well, with the most prominent difference being that the Thomson-CSF Cyrano II radar was replaced by Hughes TARAN-18 system. Also the Mirage IIIS had the wiring to carry a Swiss-built or French nuclear bomb. The Mirage IIIS had an integral fuel tank under the aft belly; this fuel tank could be removed and replaced with an adapter of the same shape.

The Mirage IIIRS could also carry a photo-reconnaissance centerline pod and an integral fuel tank under the aft belly; this carried a smaller fuel load but allowed a back looking film camera to be added. The nose section of these aircrafts are fitted with high-speed automatic series exposure cameras with high resolution capability, as well as having infrared sensors.

Only 36 Mirage IIIS fighters and 18 IIIRS reconnaissance aircrafts actually built by the Federal Aircraft Factory. The Mirage IIIS went into service in 1967, and the IIIRS in 1969. In the early 1990s, the 30 surviving Swiss Mirage IIIS interceptors were put through an upgrade program, which included fitting them with fixed canards and updated avionics. The Mirage IIIS were phased out of service in 1999.

CAUTION

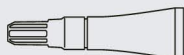
- *Read carefully and fully understand the instructions before commencing assembly.
- *Keep out of reach of children. Children must not be allowed to put any parts in their mouths, or pull plastic bag over their heads.
- *When using adhesives and paints, please make sure not to use them in closed room or near the fire.
- *When assembling this kit, tools including knives are used. Extra care should be taken to avoid injury.

WARNING: CONTAIN SMALL PARTS NOT FOR CHILDREN UNDER 14 YEARS OF AGE.



TOOLS RECOMMENDED

Cement



Side Cutter

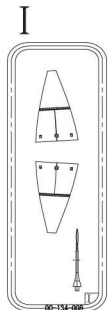
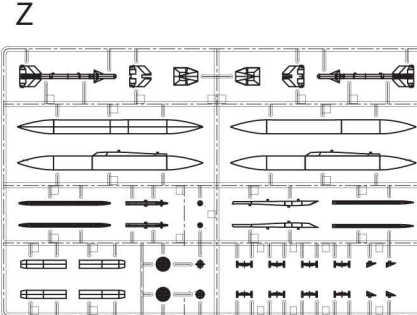
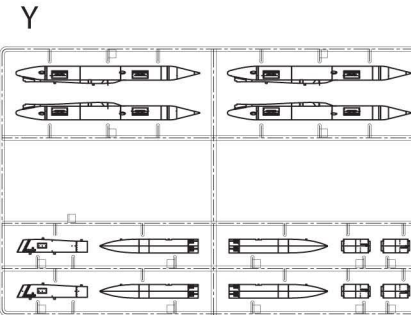
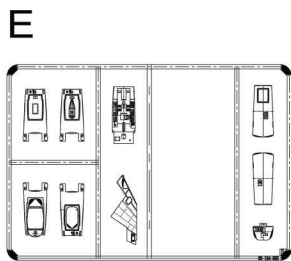
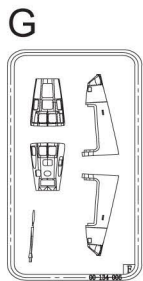
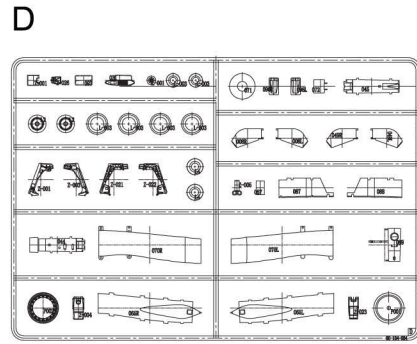
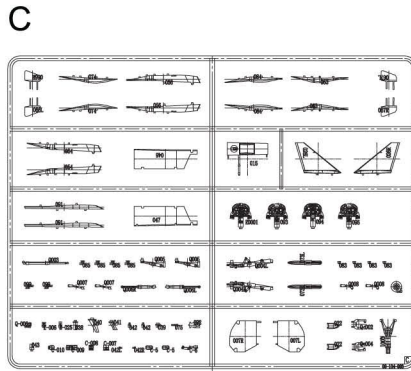
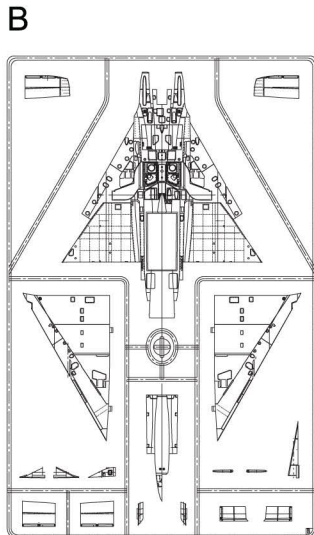
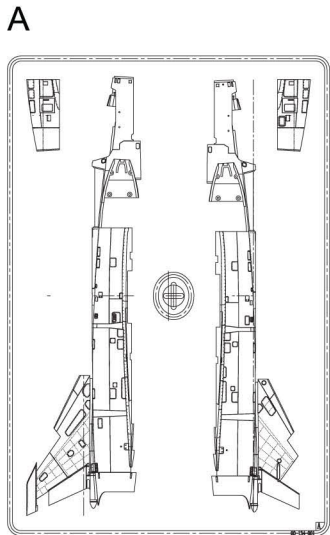


Modeling Knife



Tweezers





AFTERMARKET SERVICES CARD

When requesting replacement parts, please take or send this form to your local dealer so that the parts required can be correctly identified. Please note that specifications and availability are subject to change without notice.

or visit <http://www.kineticmodel.com> for latest information.

For more information, please contact services@kineticmodel.com

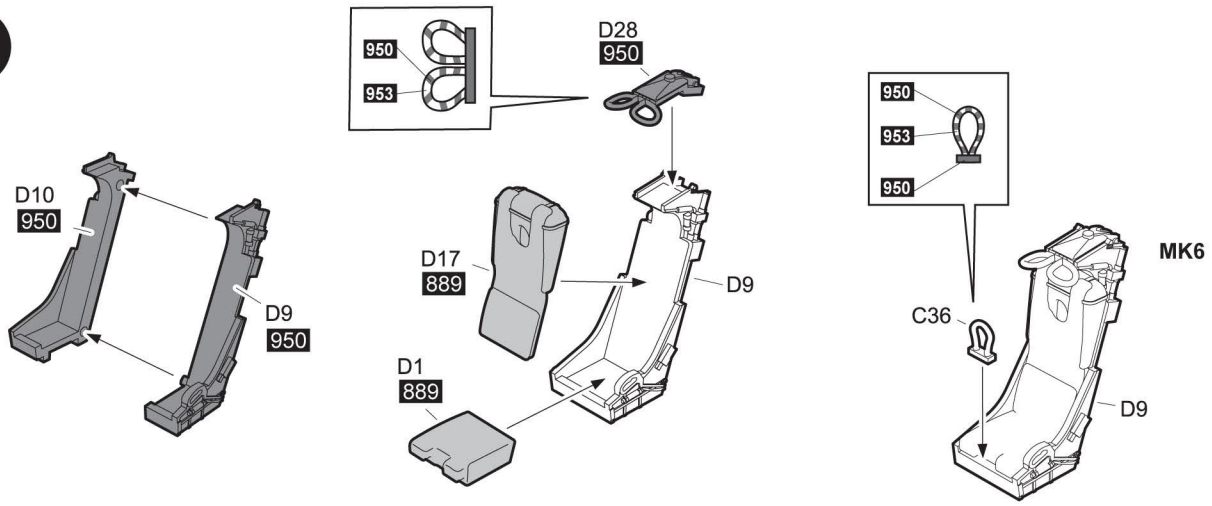
Parts Code	Item	K48058
00-127-011	Z	1/48 French Weapon Series Supersonic Tank + AIM-9B
00-127-012	Y	1/48 French Weapon for MIRAGE V
00-134-001	A	(MISSILE)1/48 MIRAGE III E/V FUESLAGE
00-134-002	B	1/48 MIRAGE III E/V WINGS
00-134-003	C	MIRAGE III E UNDERCARRIG
00-134-004	D	1/48 MIRAGE III E INTAKE, SEAT, WHEEL
00-134-005	E	1/48 MIRAGE III E COCKPIT, FRONT BOTTOM PARTS
00-134-007	G	1/48 MIRAGE R/RS NOSE
00-134-009	I	1/48 MIRAGE IIIS NOSE
00-134-010/00-134-011 J,K		1/48 MIRAGE III E/O/R/S CANOPY PARTS
01-134-48058		DECAL
03-134-48058		MANUAL

PAINT INDEX

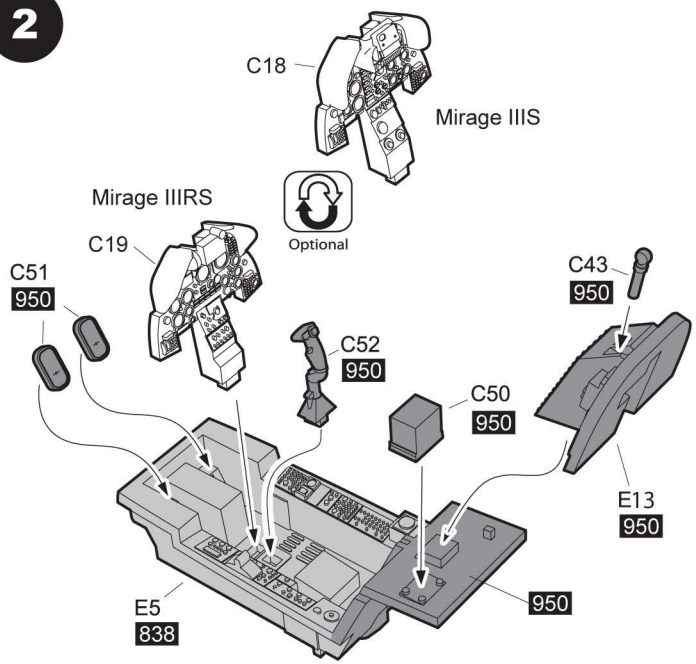
COLOR	VALLEJO MODEL COLOR	HUMBROL ENAMEL	AMMO MIG ARCYLIC PAINT	GSI CREOS MR. COLOR	TAMIYA ENAMEL/ACRYLIC
USA Olive Drab	889	66	925	78	XF62
Flat Yellow	953	15	48	-	XF3
Iterior Green	838	-	82	-	-
Flat Red	957	153	49	-	-
Sky Grey	989	127	119	308	XF19
Silver	997	11	195	8	XF16
Brass	801	54	197	-	-
Glossy Black	861	21	-	2	X1
Transparent Red	934	220	93	-	-
Transparent Green	936	-	96	-	-
Gunmetal Grey	863	53	191	76	XF56
Satin Black	855	85	32	-	-
Blue Grey Pale	905	128	208	53	-
Flat White	951	34	50	11	XF2
FS 34079	891	80	206	-	XF71
FS 36622 GRAY	883	28	226	311	-
Medium Gunship Gray	-	156	204	-	-
US Ghost Grey	990	127	203	308	-
Blue Grey Pale	905	128	208	53	-

950 denotes Vallejo Paint

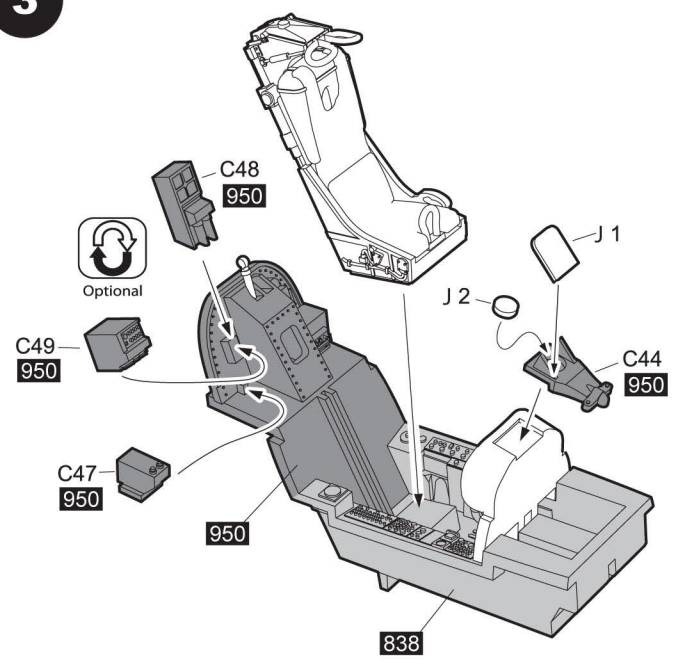
1



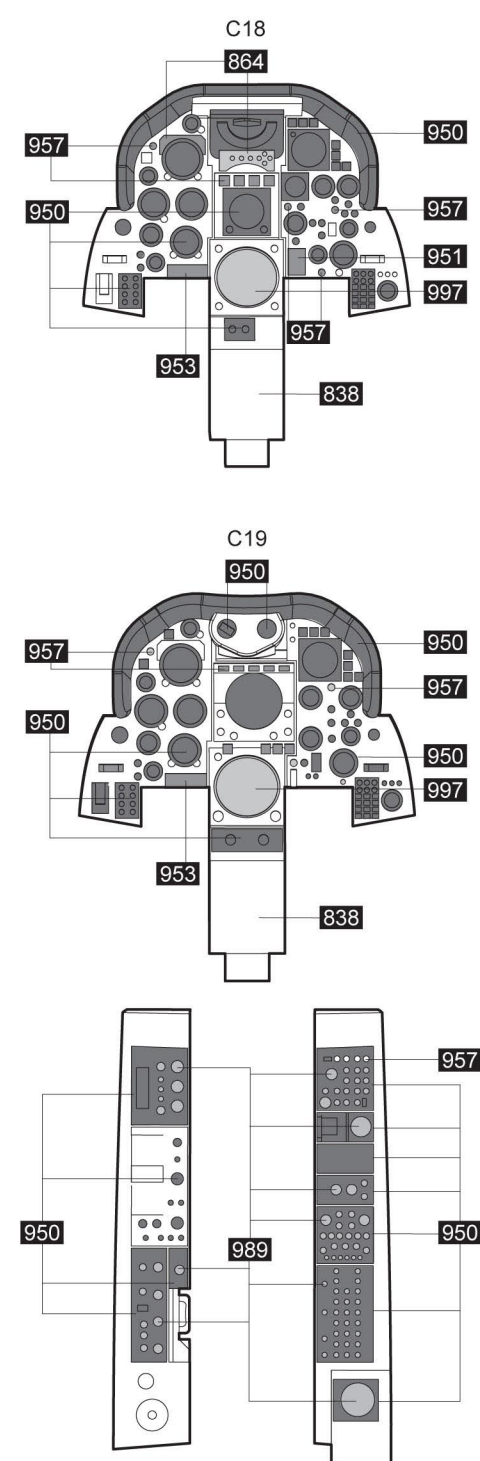
2



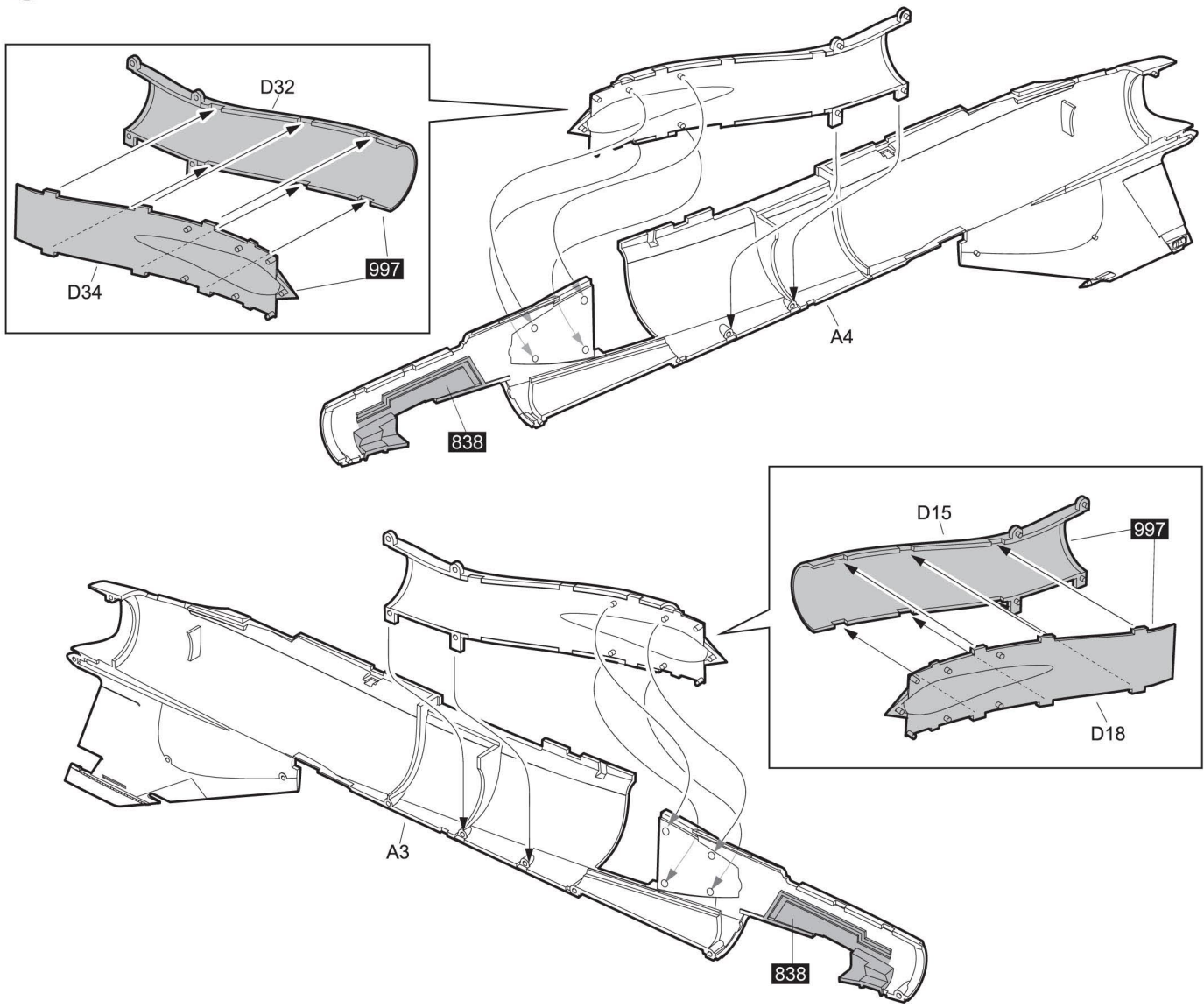
3



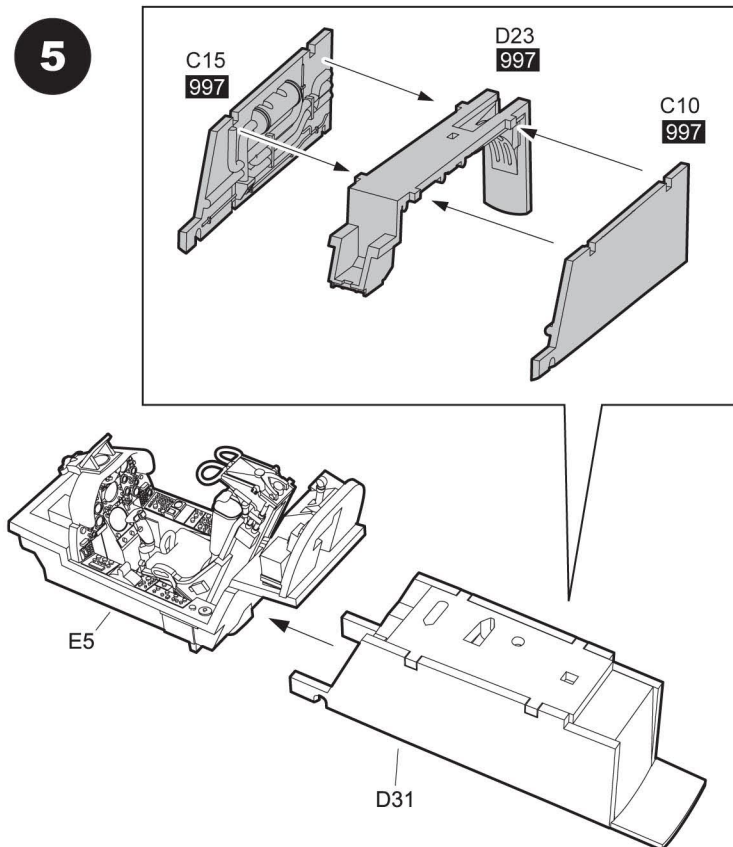
Painting Instruction



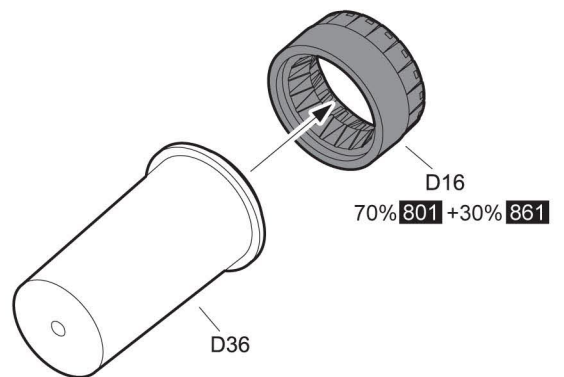
4



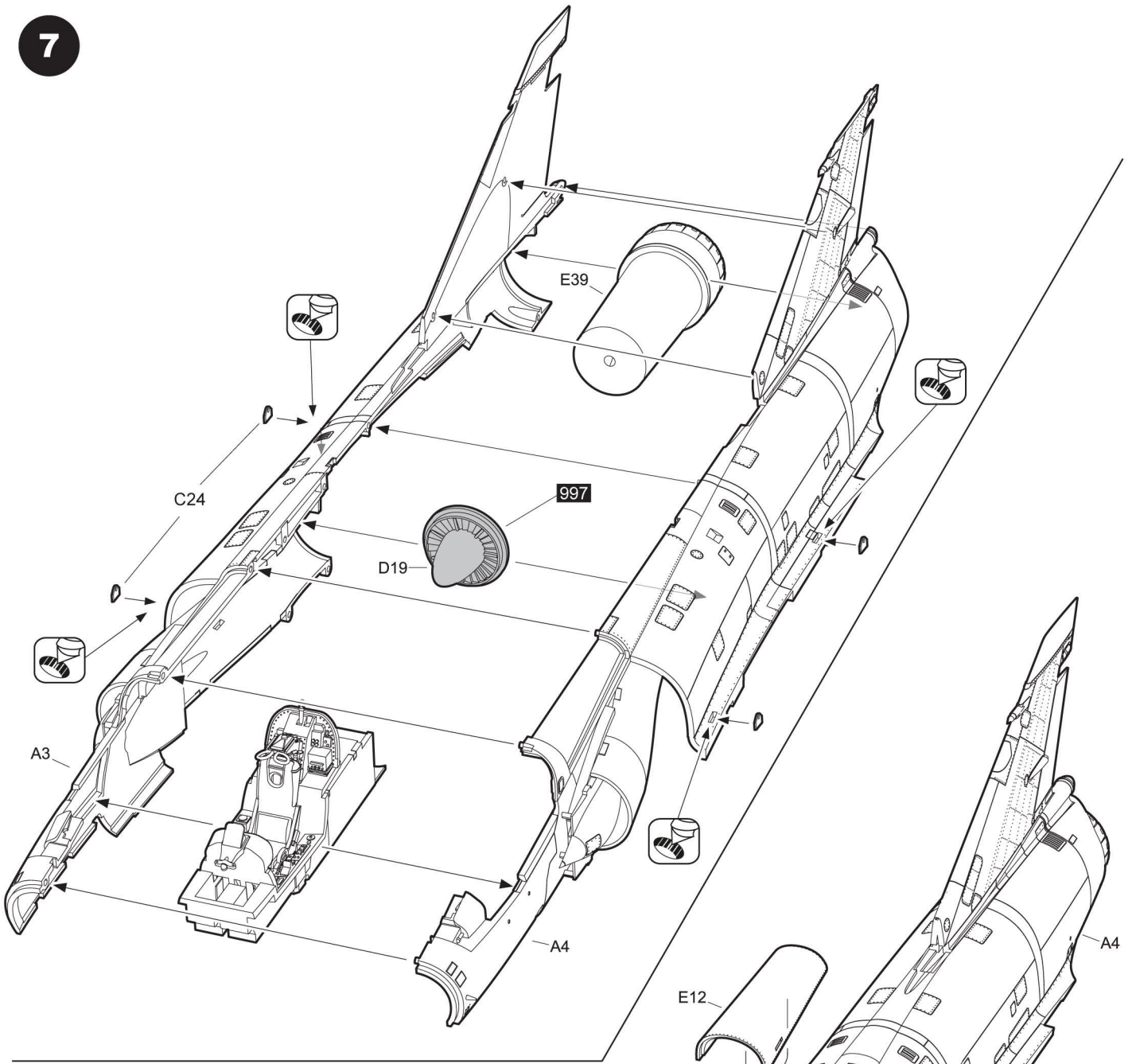
5



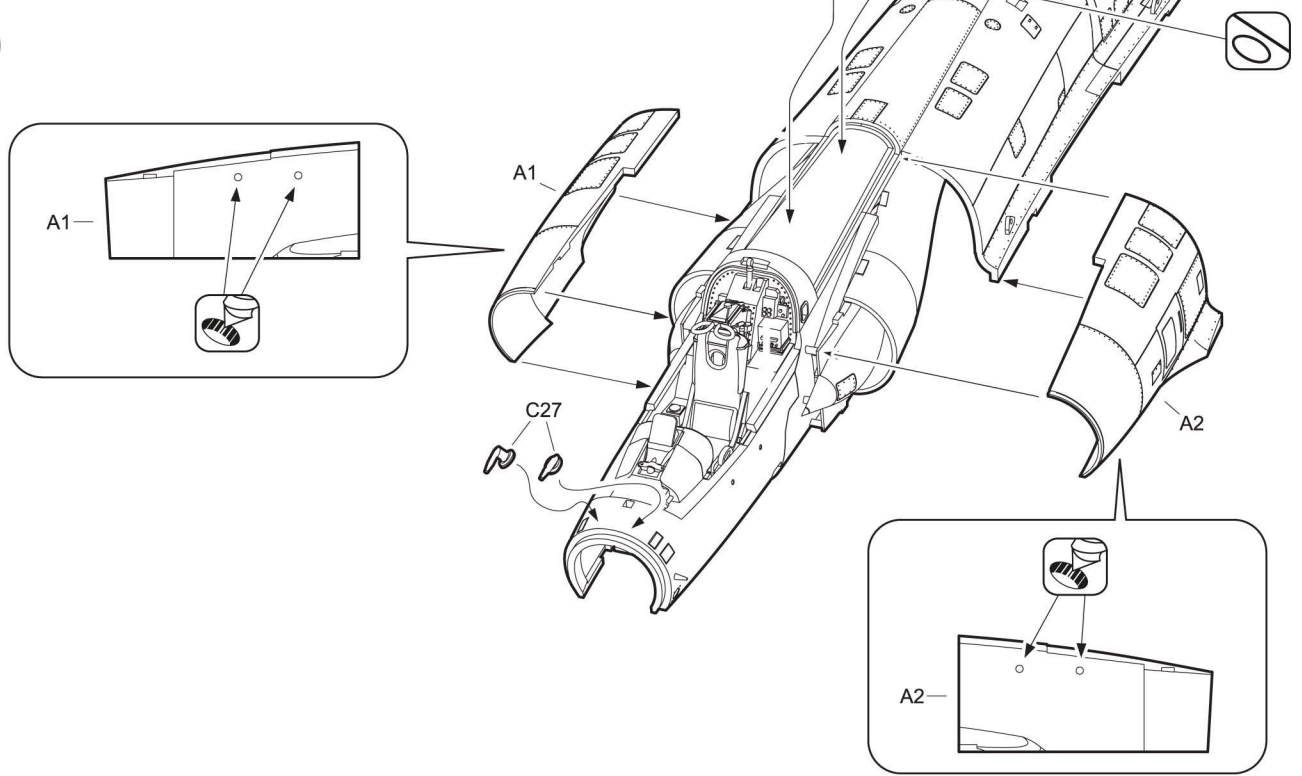
6



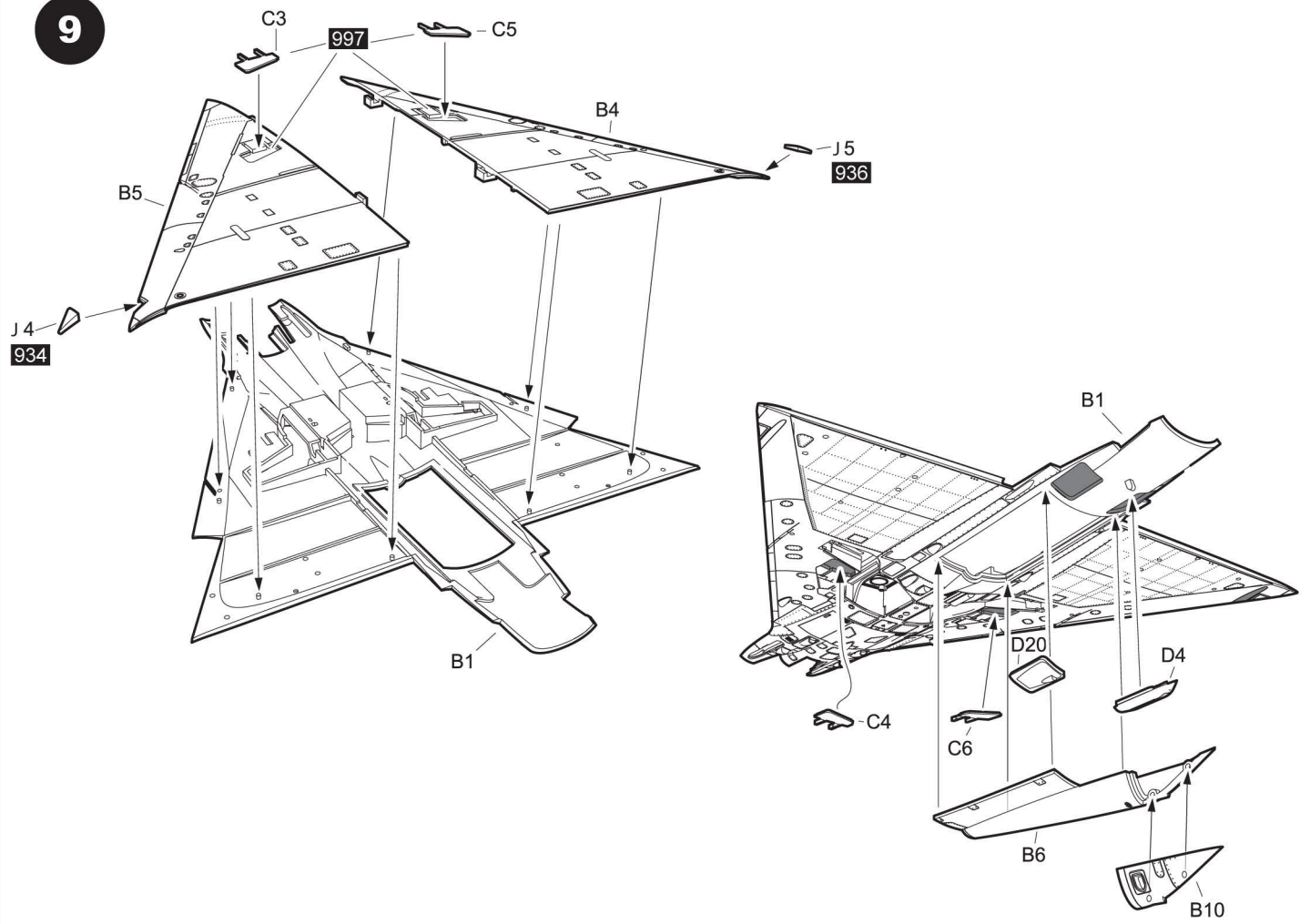
7



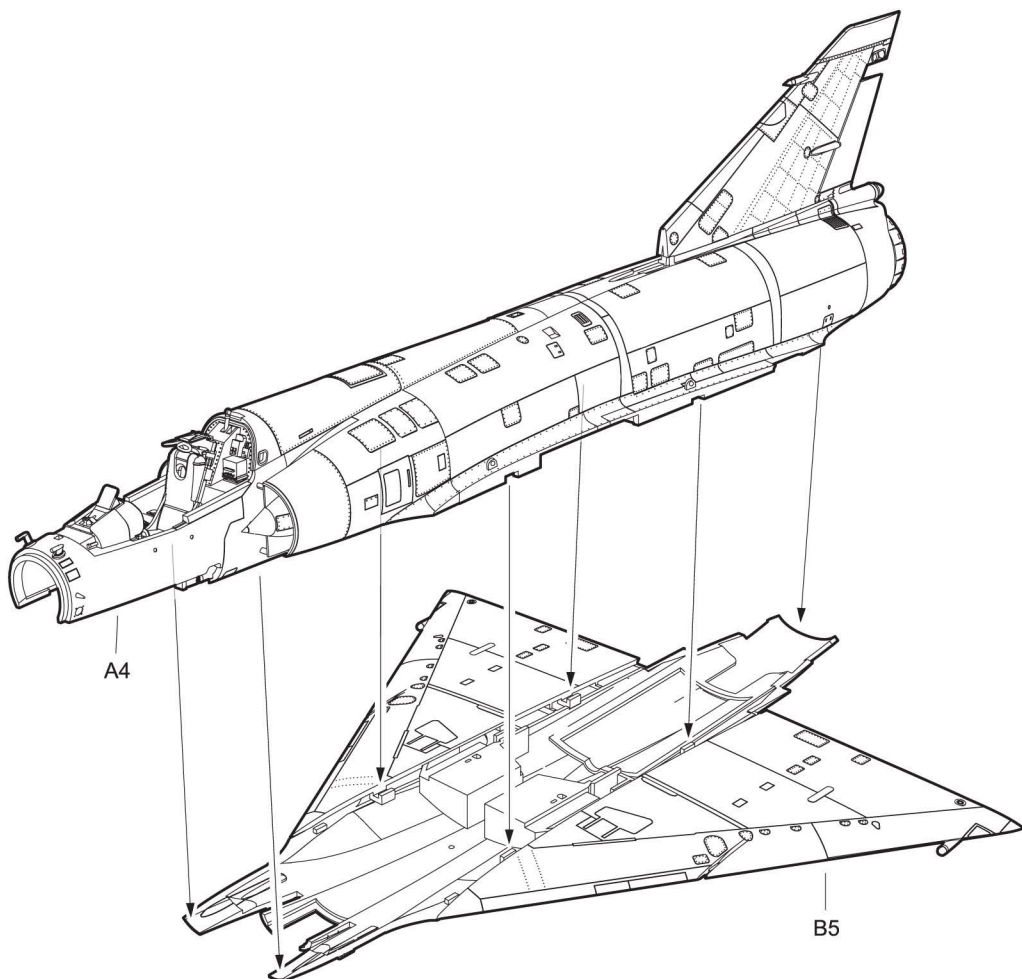
8



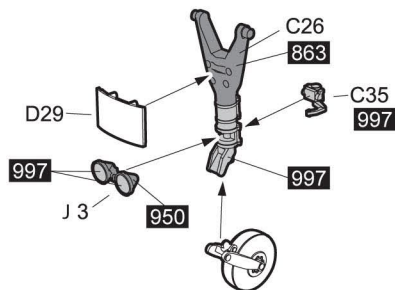
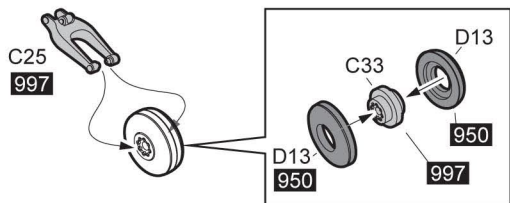
9



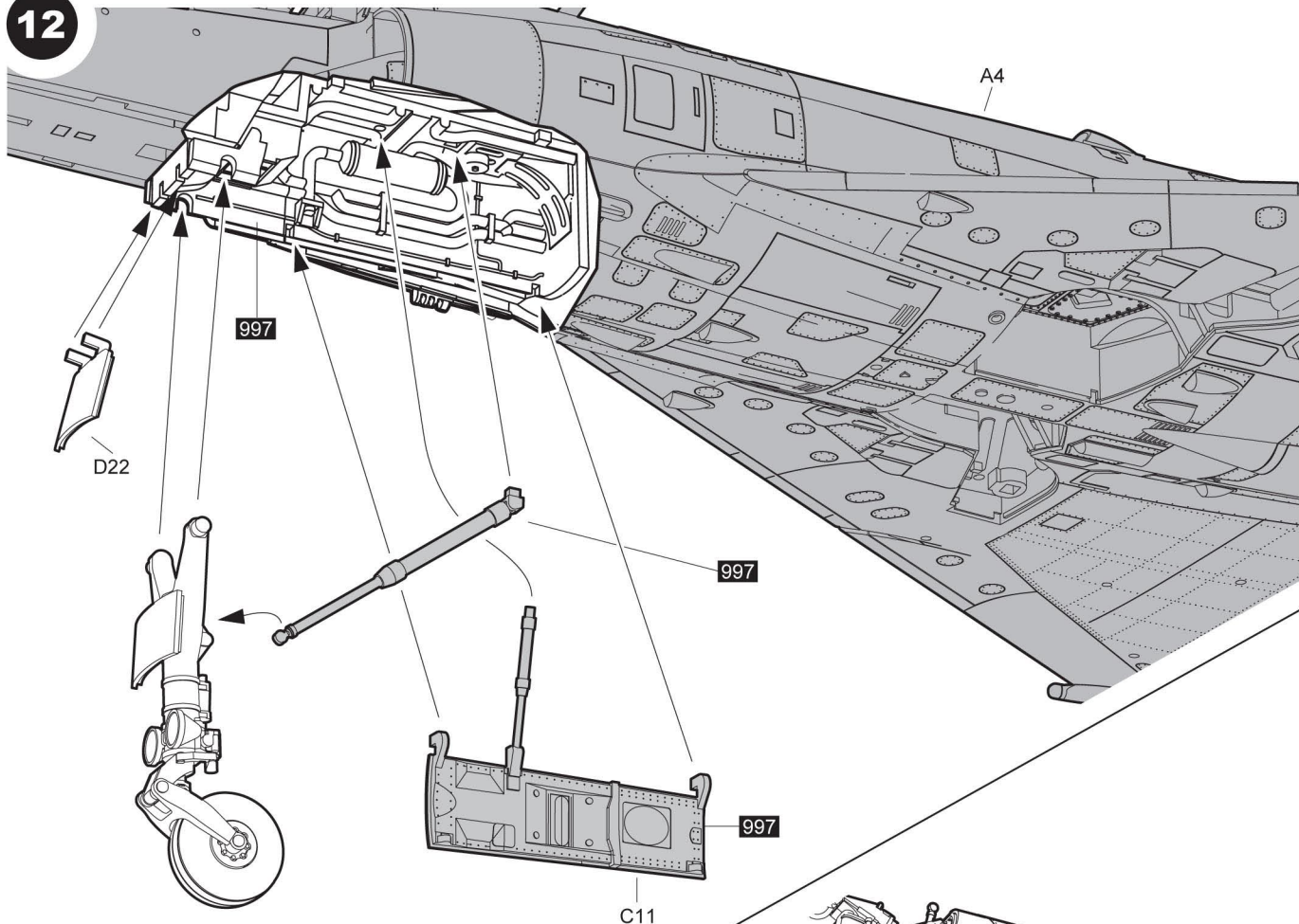
10



11



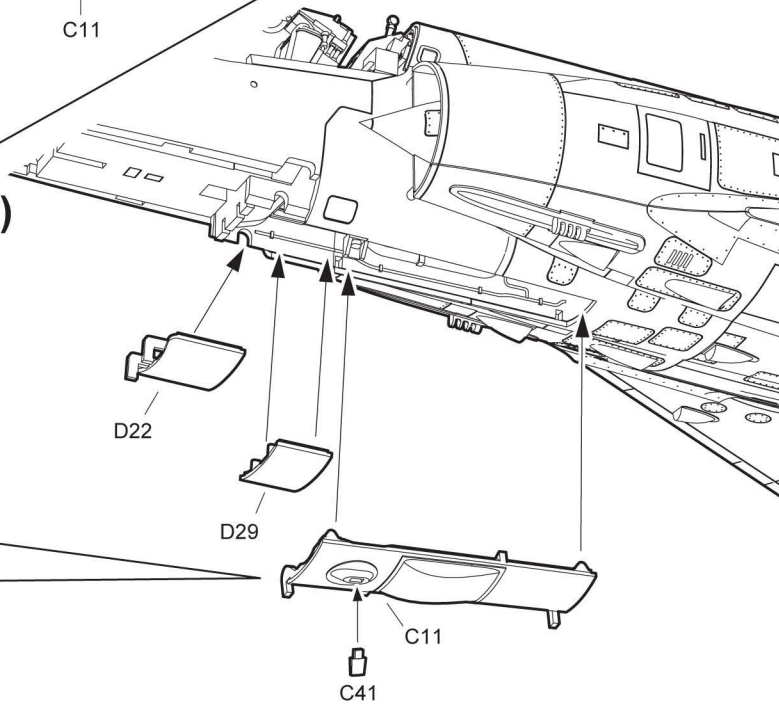
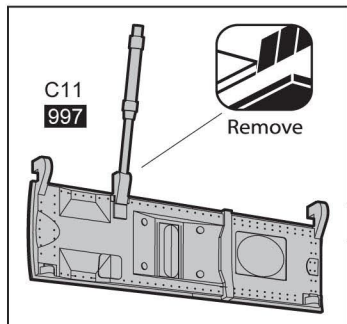
12



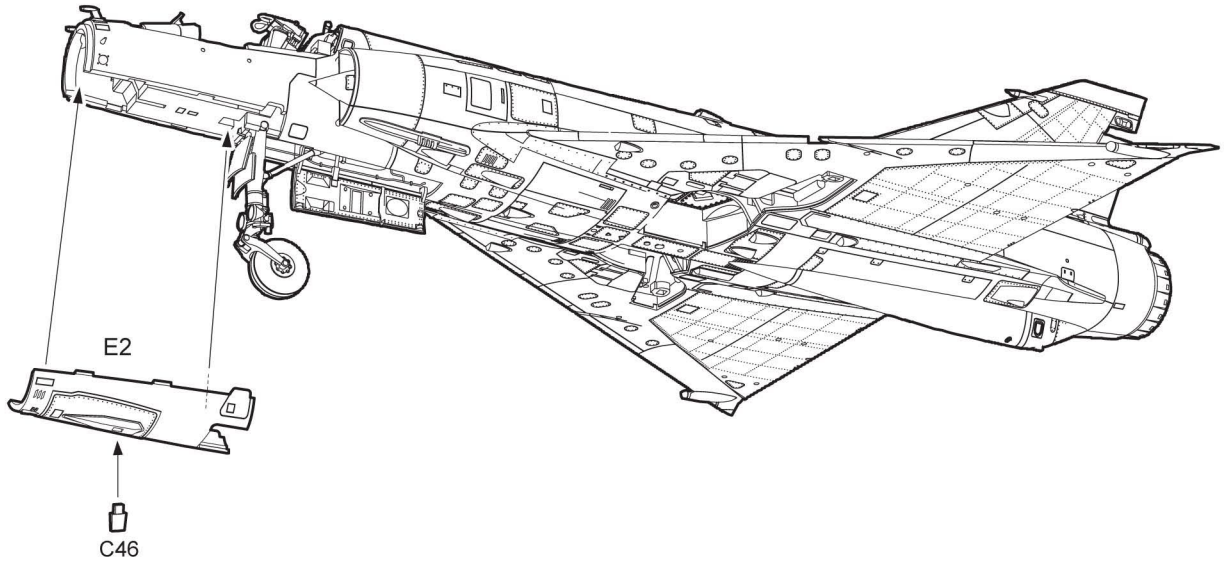
13



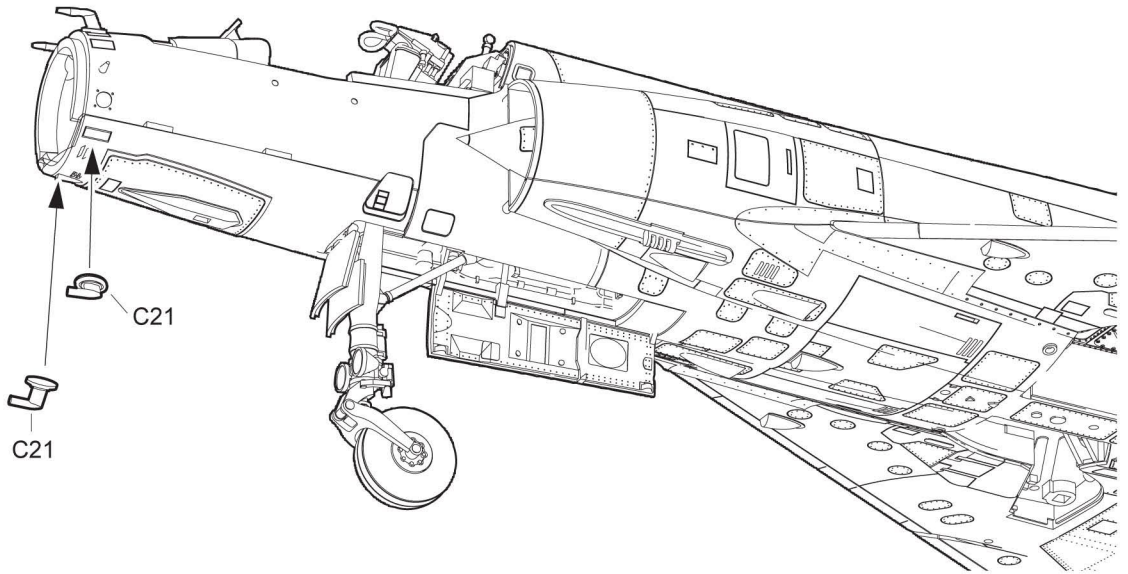
(IN-Flight Position)



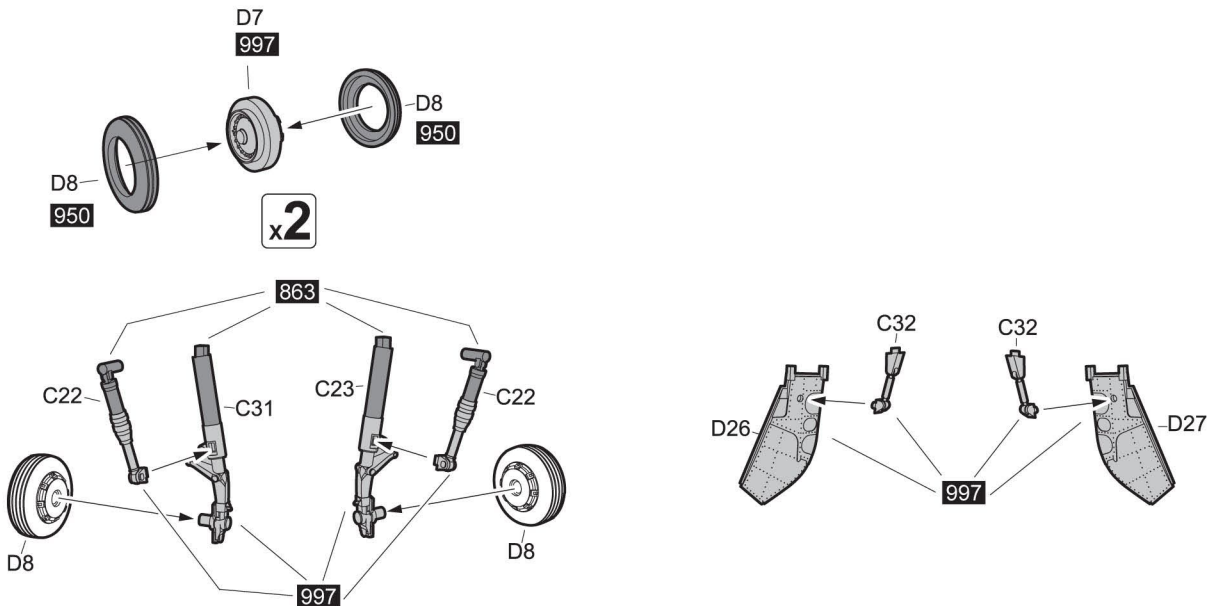
14



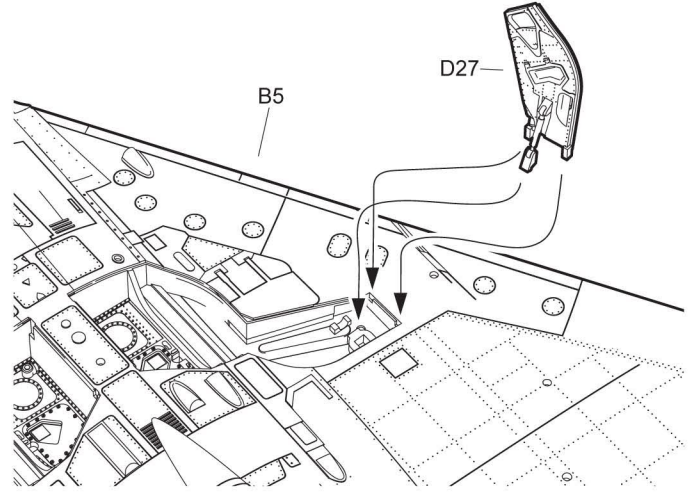
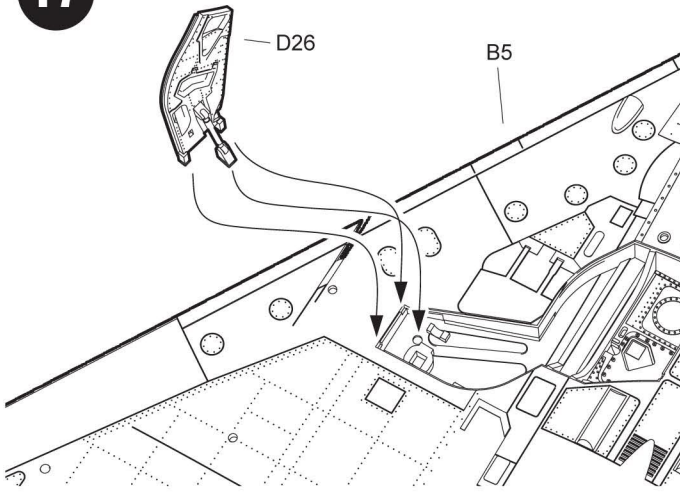
15



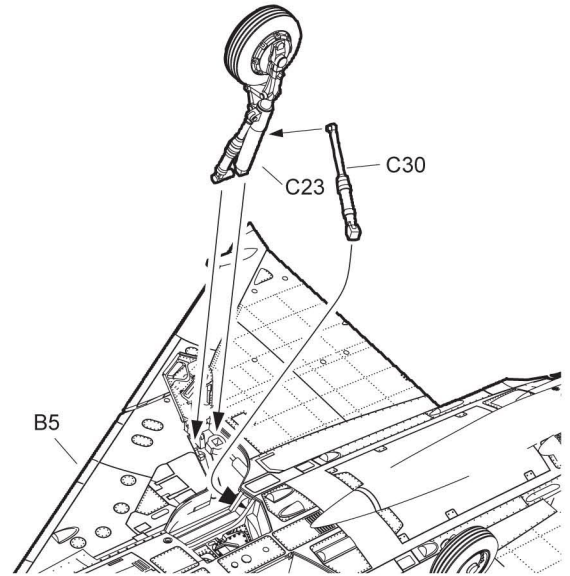
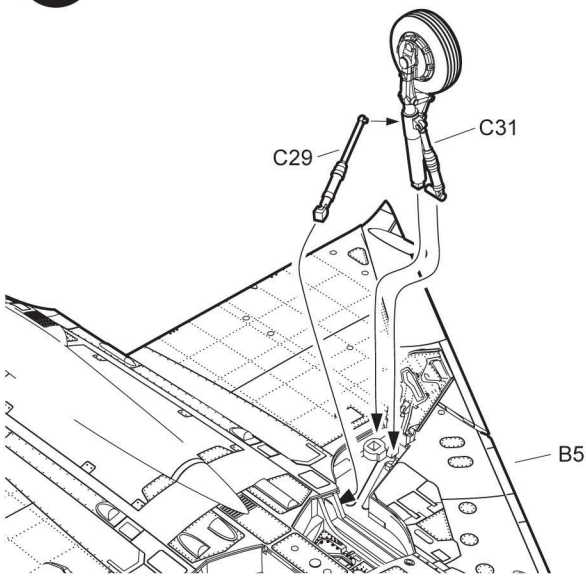
16



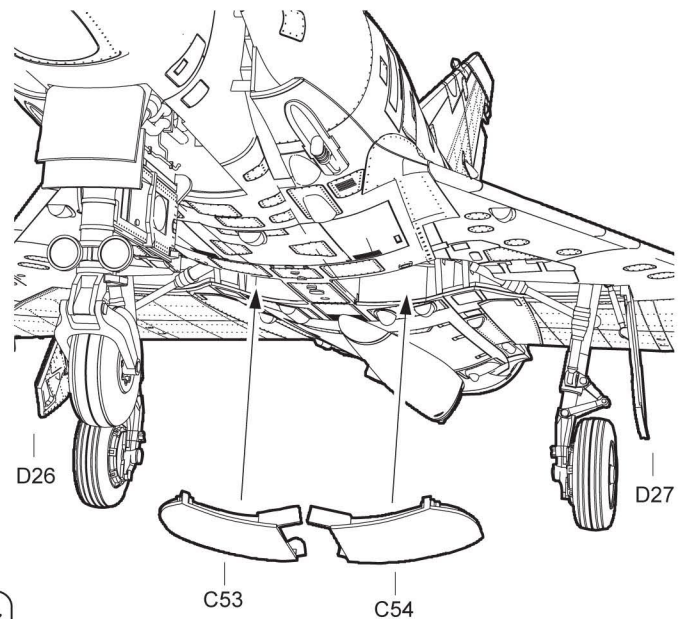
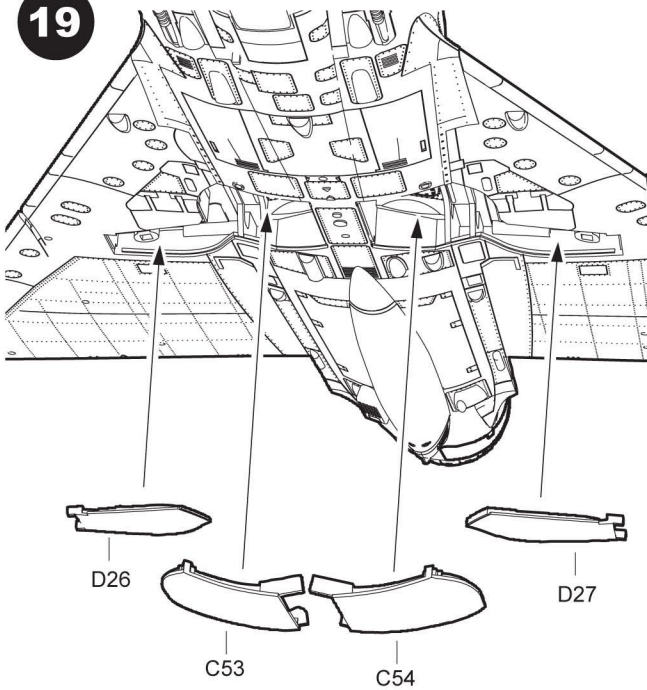
17



18

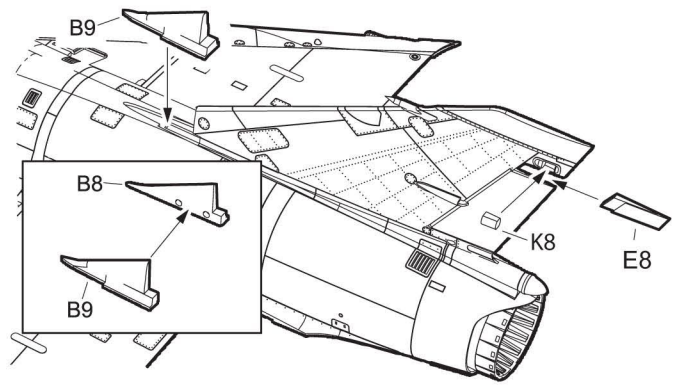


19

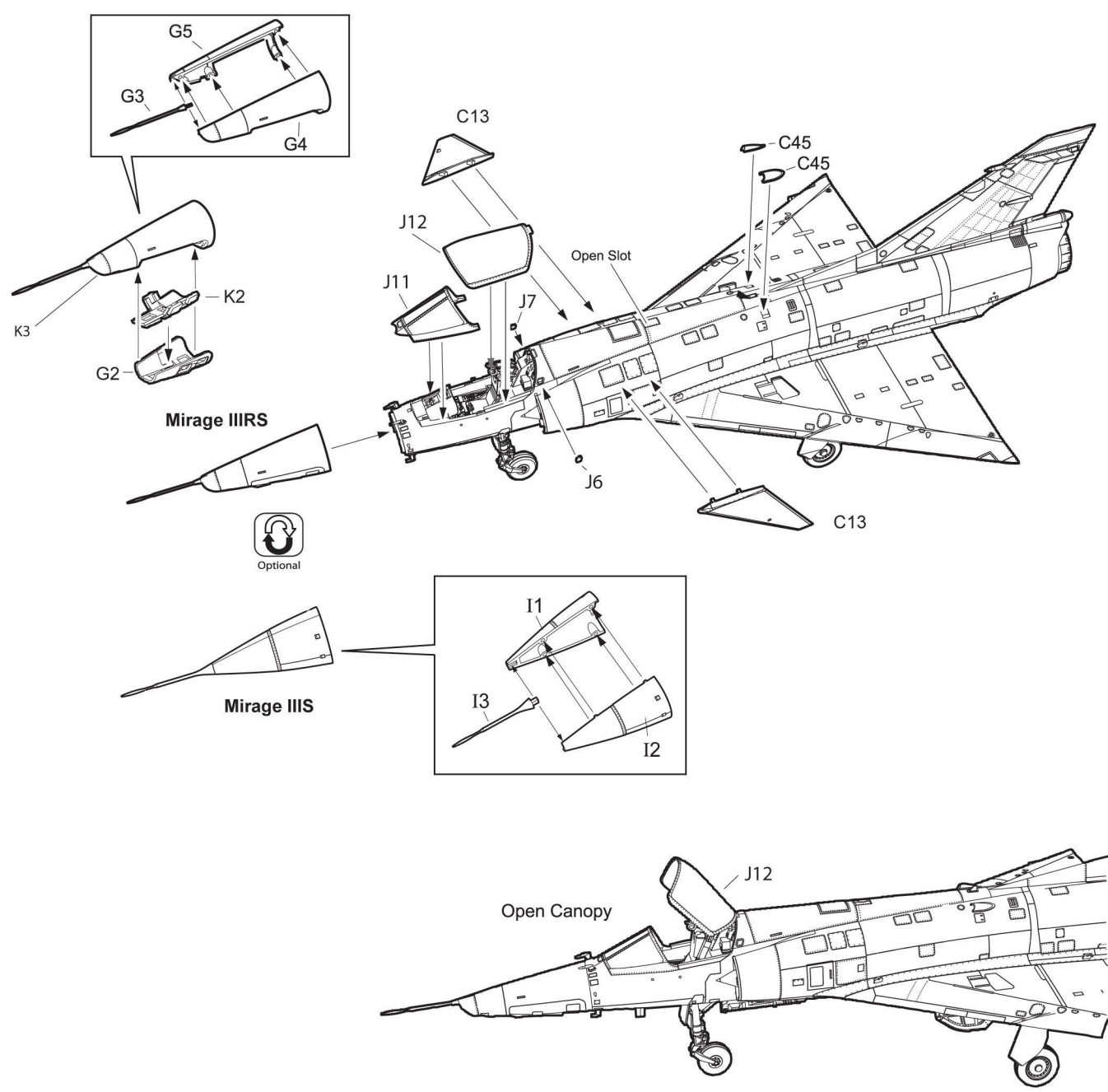


Optional

20

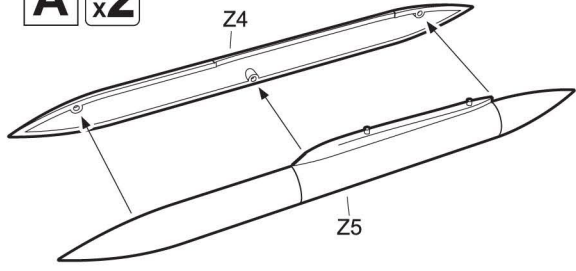


21

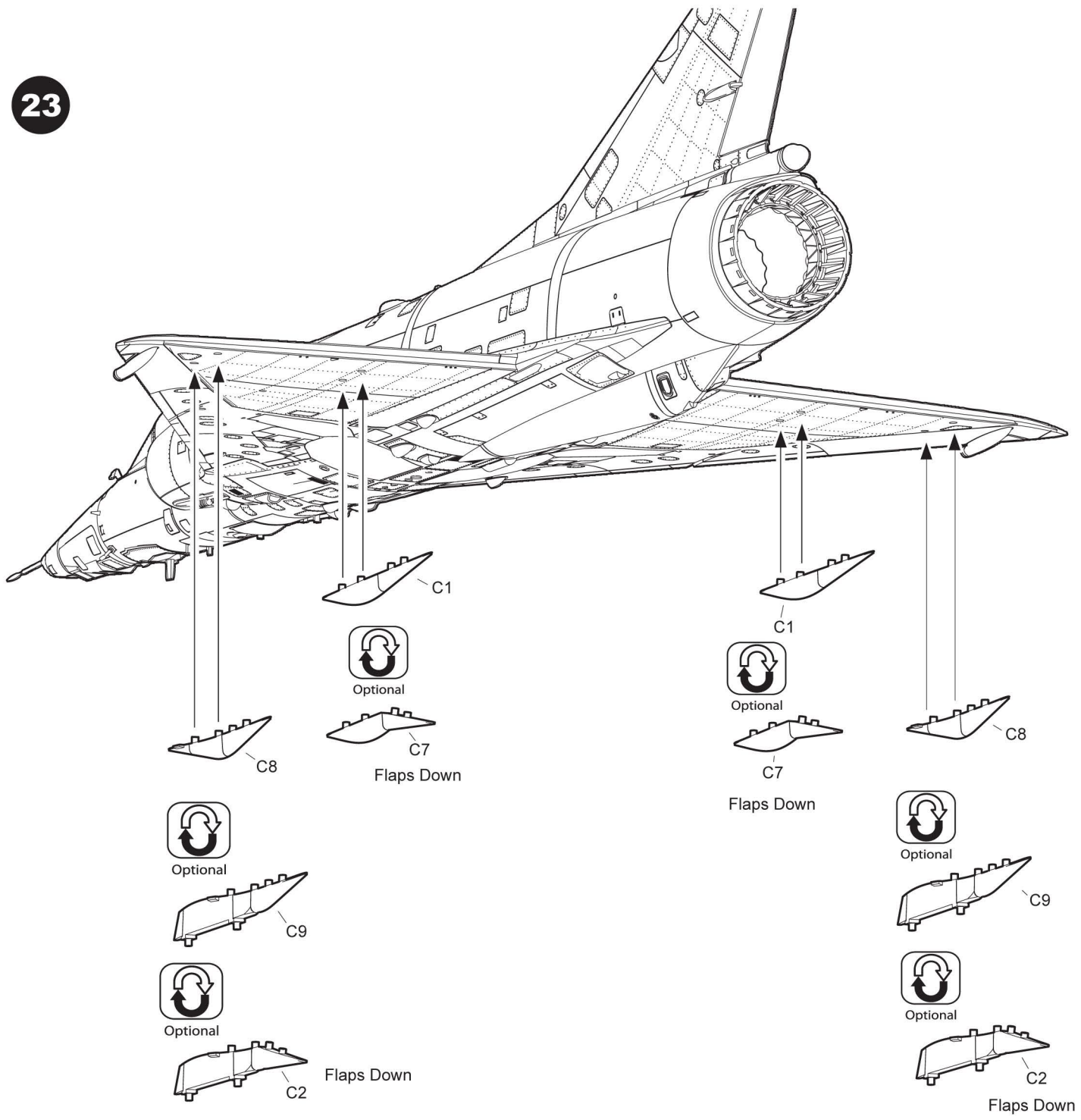


22

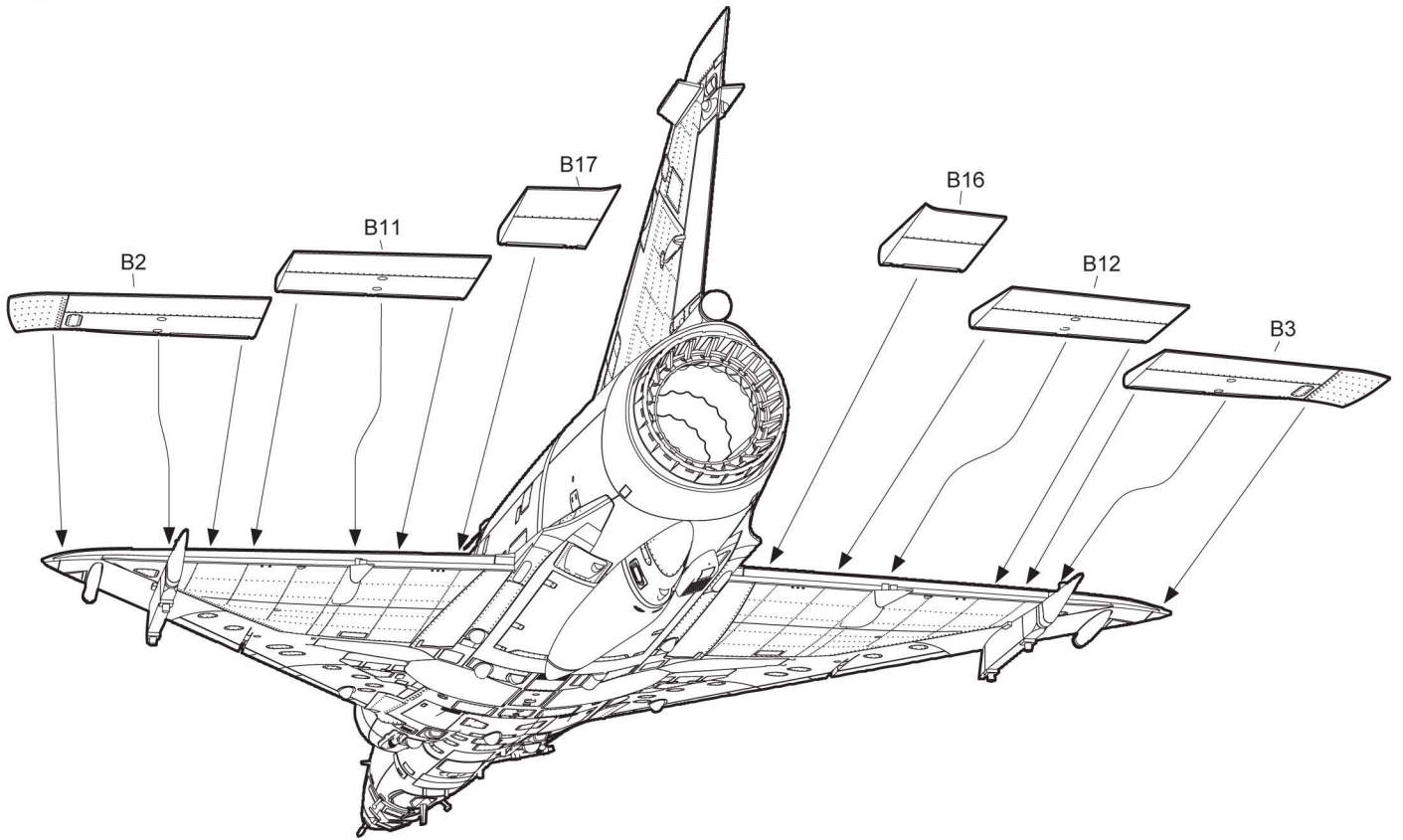
A x2 RP19R



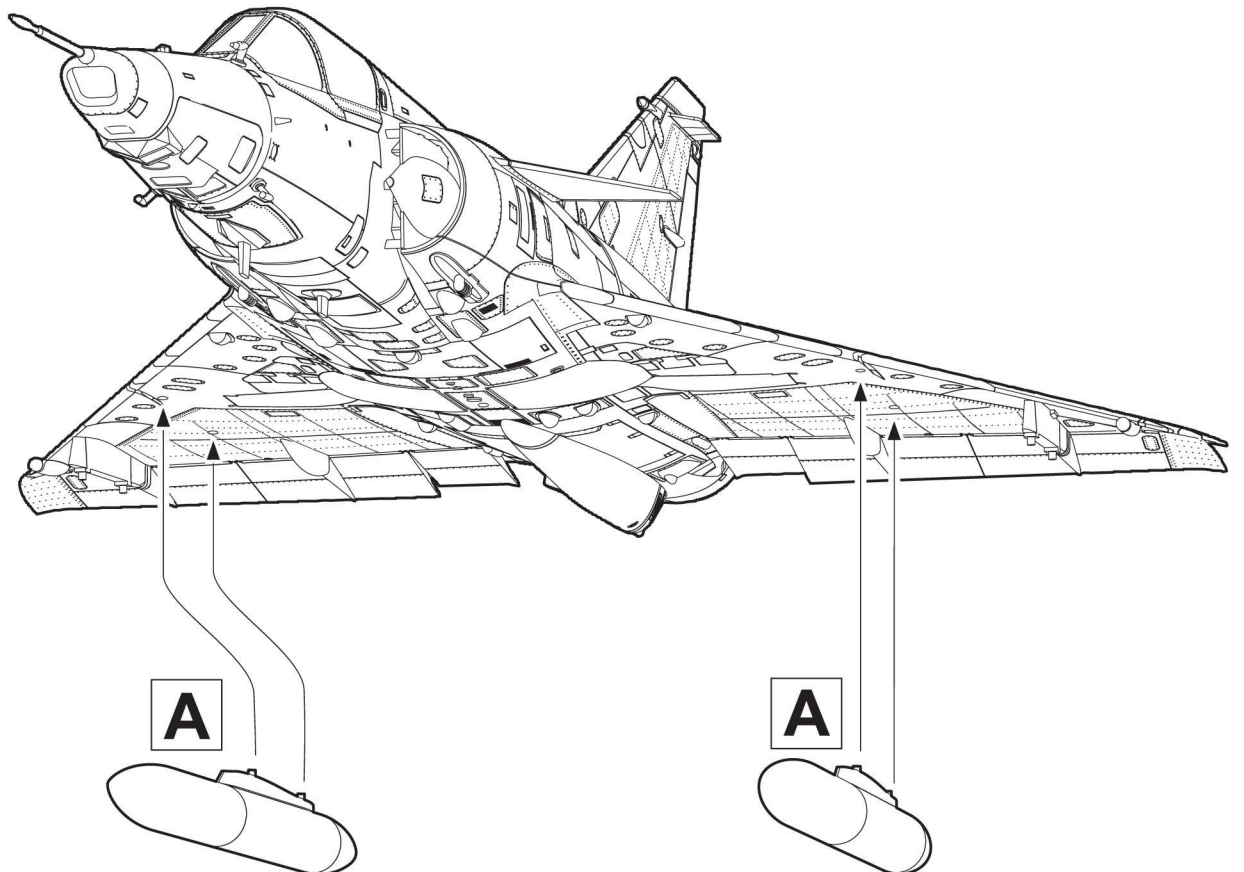
23



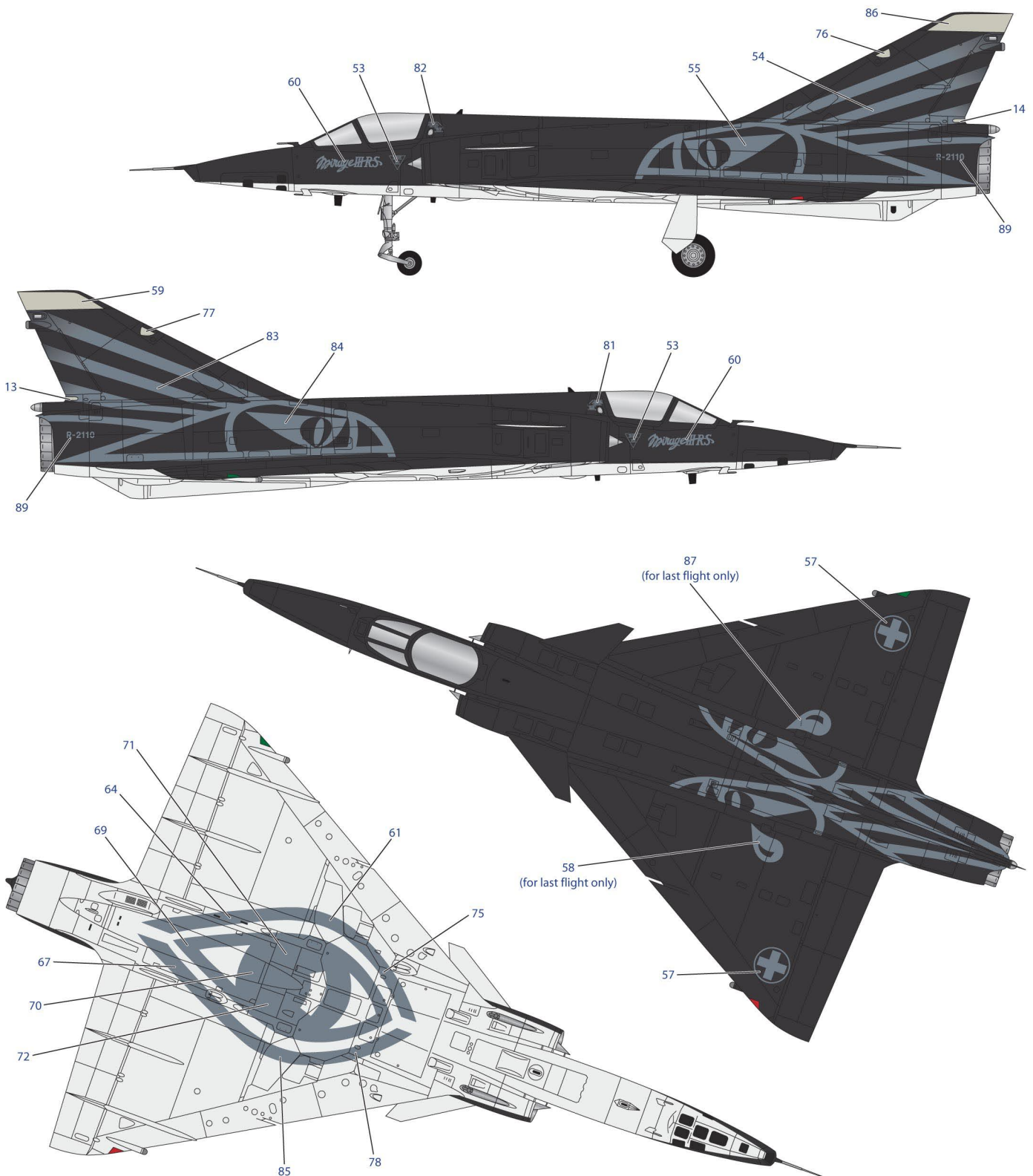
24



25



Mirage IIIRS R-2110 "Mirage Swiss Farewell" - Staffel 10, Forces aériennes suisses - Schweizer Luftwaffe, Buochs AB 2003



500 Liters - Supersonics tanks



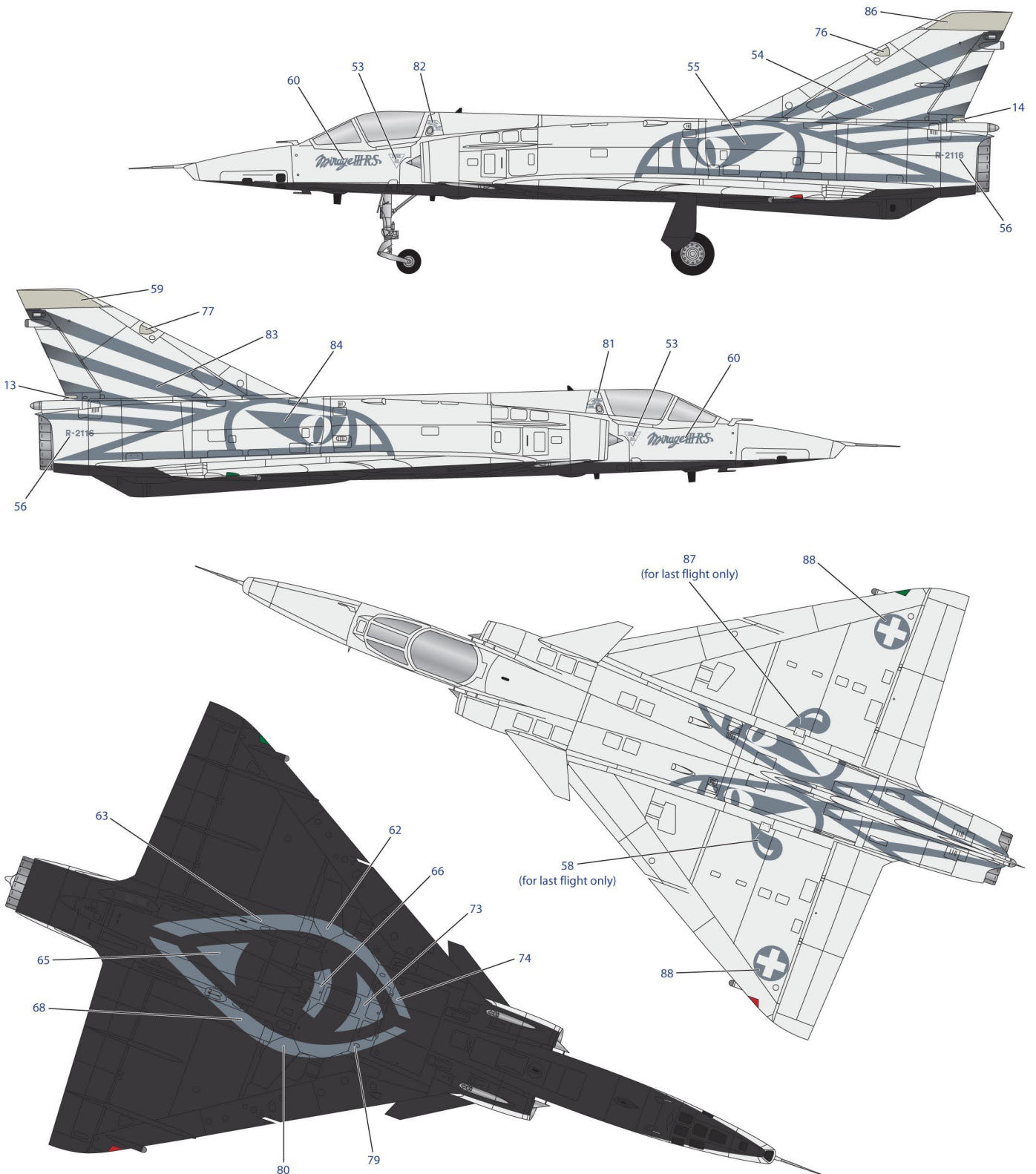
Pale pearl grey satin
95% - Humbrol 130
5% - Humbrol 128



Anthracite Satin
95% - Humbrol 85
5% - Humbrol 128



Mirage IIIRS R-2116 "Mirage Swiss Farewell" - Staffel 10, Forces aériennes suisses - Schweizer Luftwaffe, Buochs AB 2003



500 Liters - Supersonics tanks



Right view



Left view



Pale pearl grey satin
95% - Humbrol 130
5% - Humbrol 128

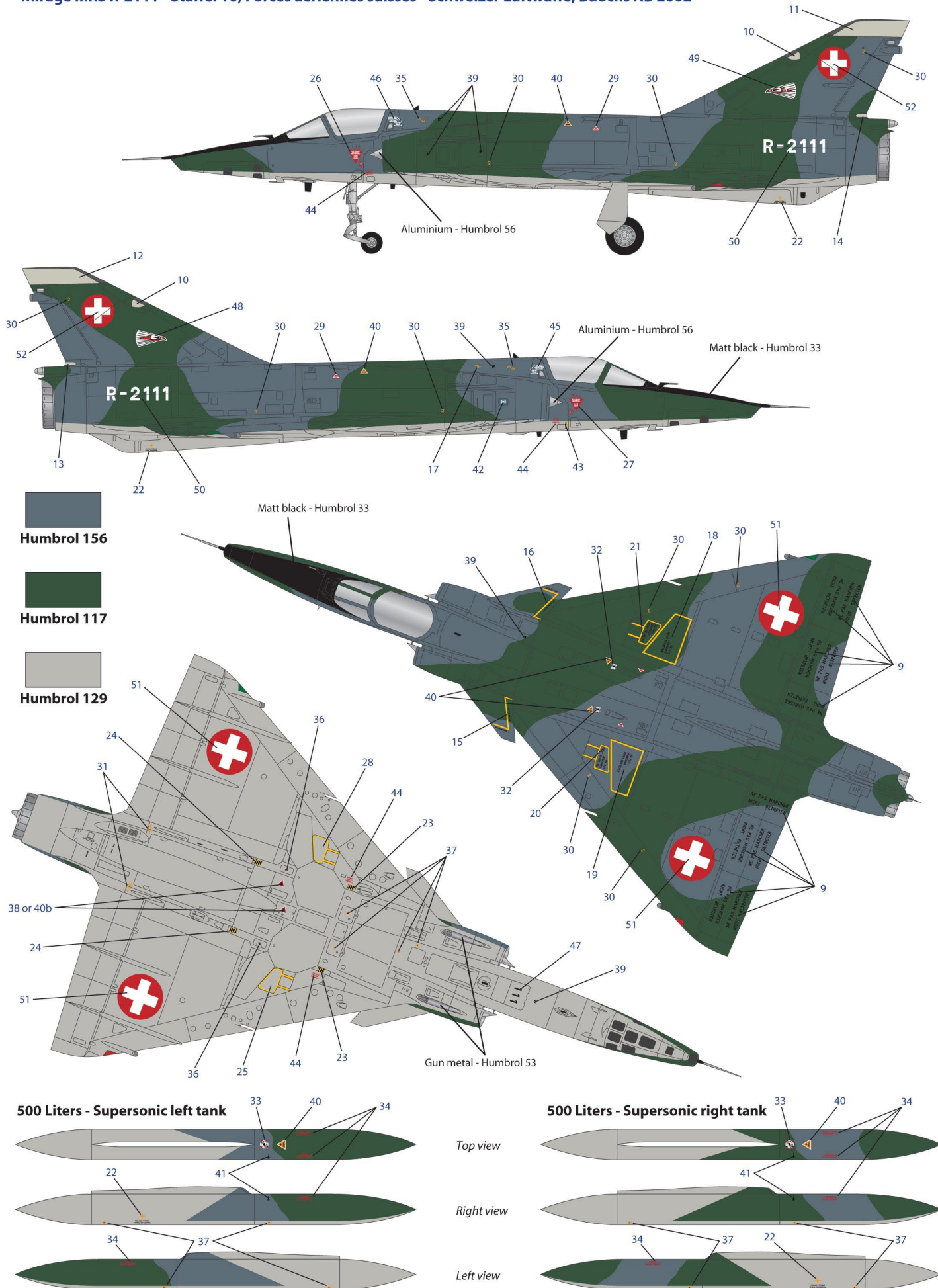


Anthracite Satin
95% - Humbrol 85
5% - Humbrol 128



Top view

Mirage IIIRS R-2111 - Staffel 10, Forces aériennes suisses - Schweizer Luftwaffe, Buochs AB 2002



Mirage IIIS J-2327 - Staffel 16, Forces aériennes suisses - Schweizer Luftwaffe, Sion AB 1998

