

# STEAM LOCOMOTIVE BR 86 DRG

## STEAM LOCOMOTIVE BR 86 DRG



### 德国BR86蒸汽机车

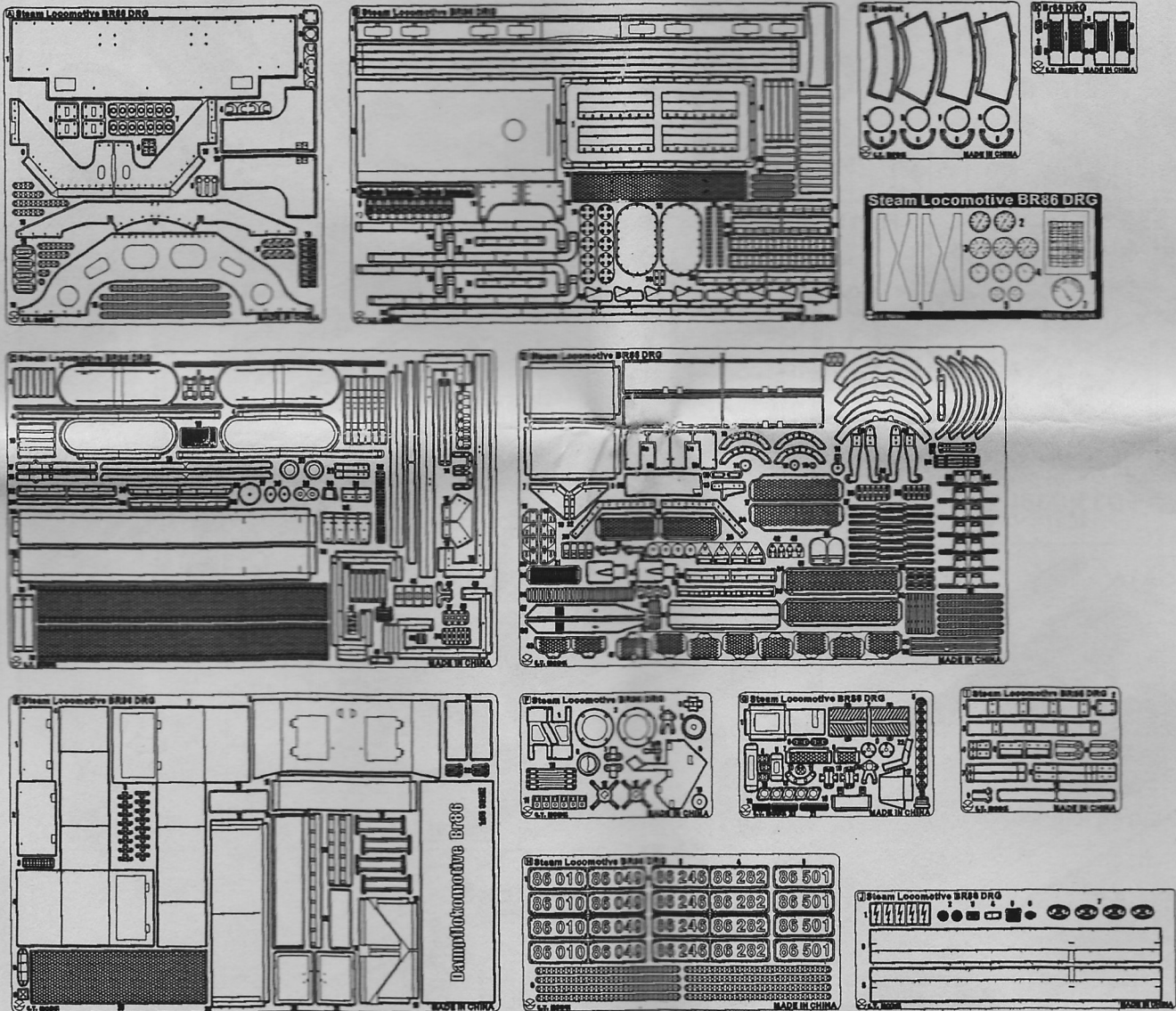
ARTISAN

- 卷曲  
CRIMP
  - 弯折  
BEND
  - 切除  
REMOVE
  - 开孔  
OPEN HOLE
  - 焊接  
SOLDER
  - 退火  
ANNEAL
  - 填补  
FILL
  - 冲压  
PRESS
  - 打磨  
GRIND
  - 对侧相同  
REPEAT ON  
OPPOSITE SIDE
  - 选择安装  
OPTIONAL
  - 金属件  
METAL PART
  - 注意  
BE CAREFUL
  - 制作2组  
MAKE 2pcs
  - 铜管制作  
BRASS TUBE
  - 胶棒制作  
ABS ROD
  - 自制  
MAKE IT  
YOURSELF
  - 树脂件  
RESIN PART
- A1** 改造件零件编号  
NUMBER OF PE PART
- B2** 原零件编号  
NUMBER OF KIT PART
- G3** 被替换的原零件编号  
NUMBER OF REPLACED KIT PART

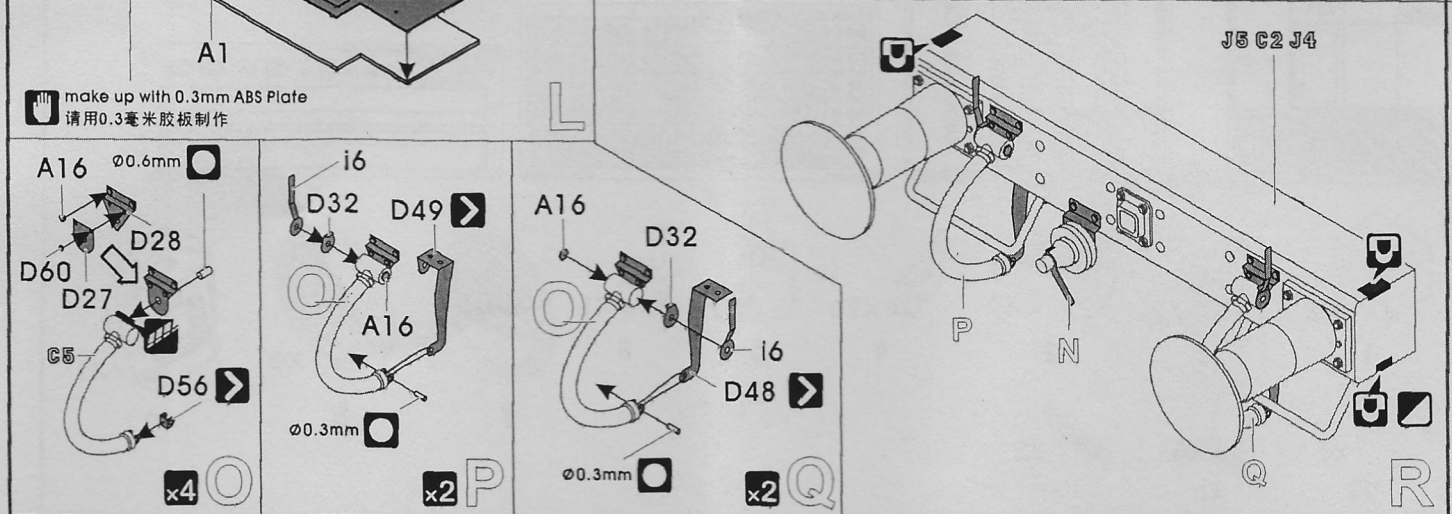
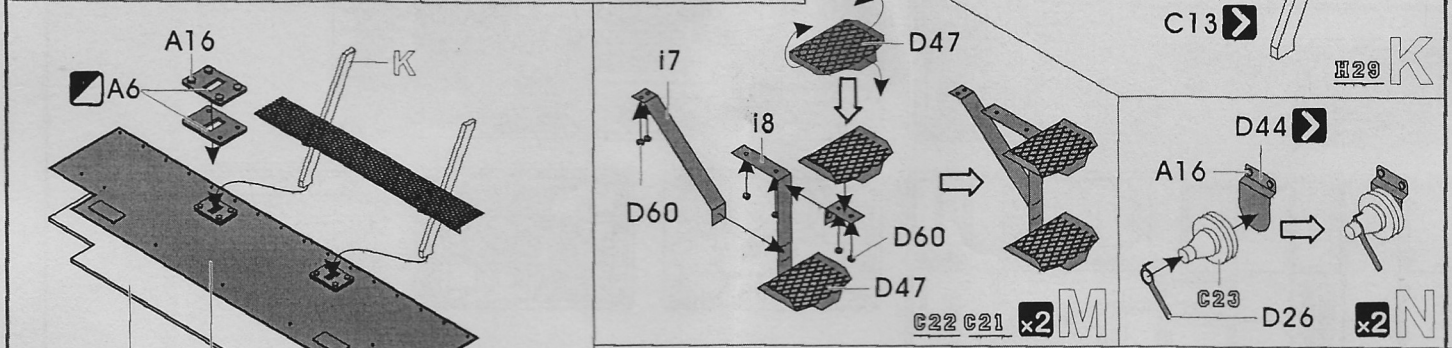
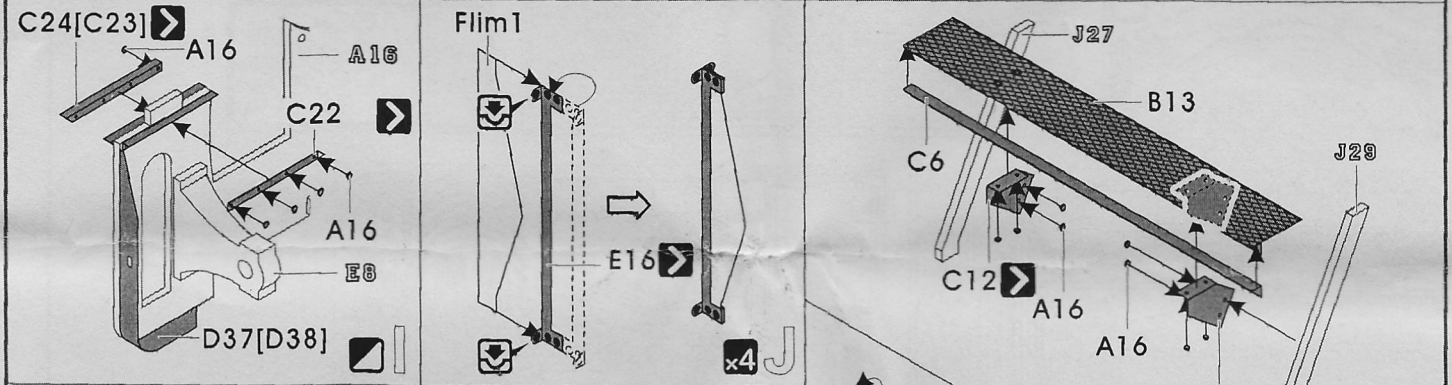
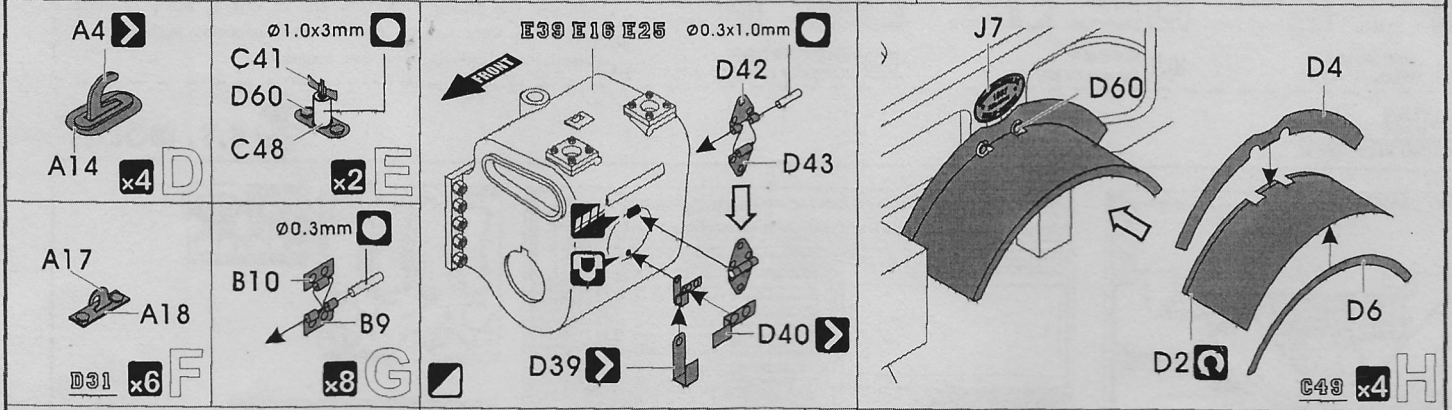
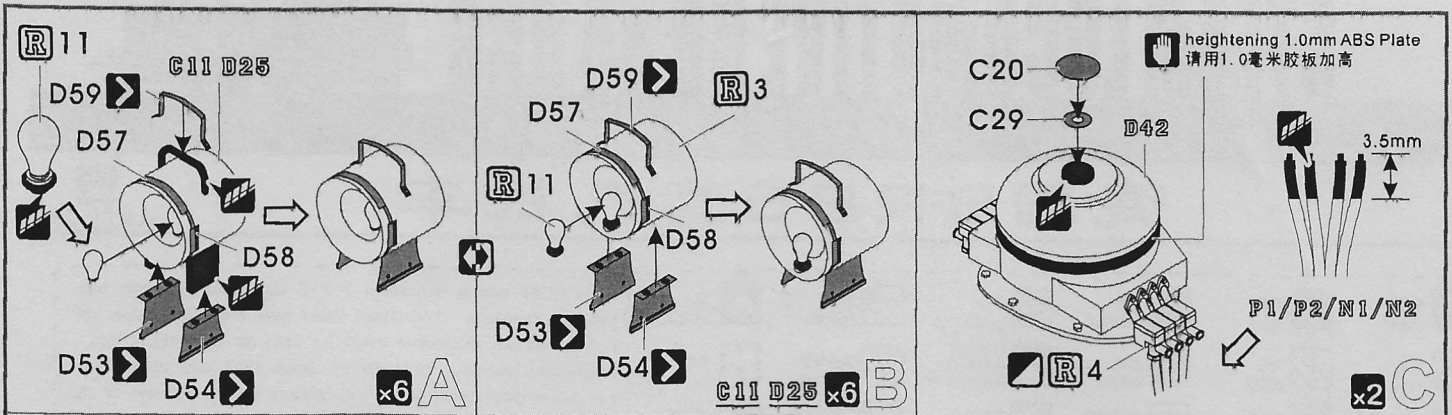
The BR86 was a handsome 2-8-2 tank locomotive with two outside cylinders. Walschaert valve gear drove the piston valves and the locomotive could be used for both freight and passenger service. Between the years 1928 and 1943, 774 of these locomotives were manufactured for the railways of the Deutsche Reichsbahn. After the end of WW II, many of these locomotives were handed over to other countries such as Poland, Czechoslovakia as war reparation.

**A35-001**  
FOR TRUMPETER 00217

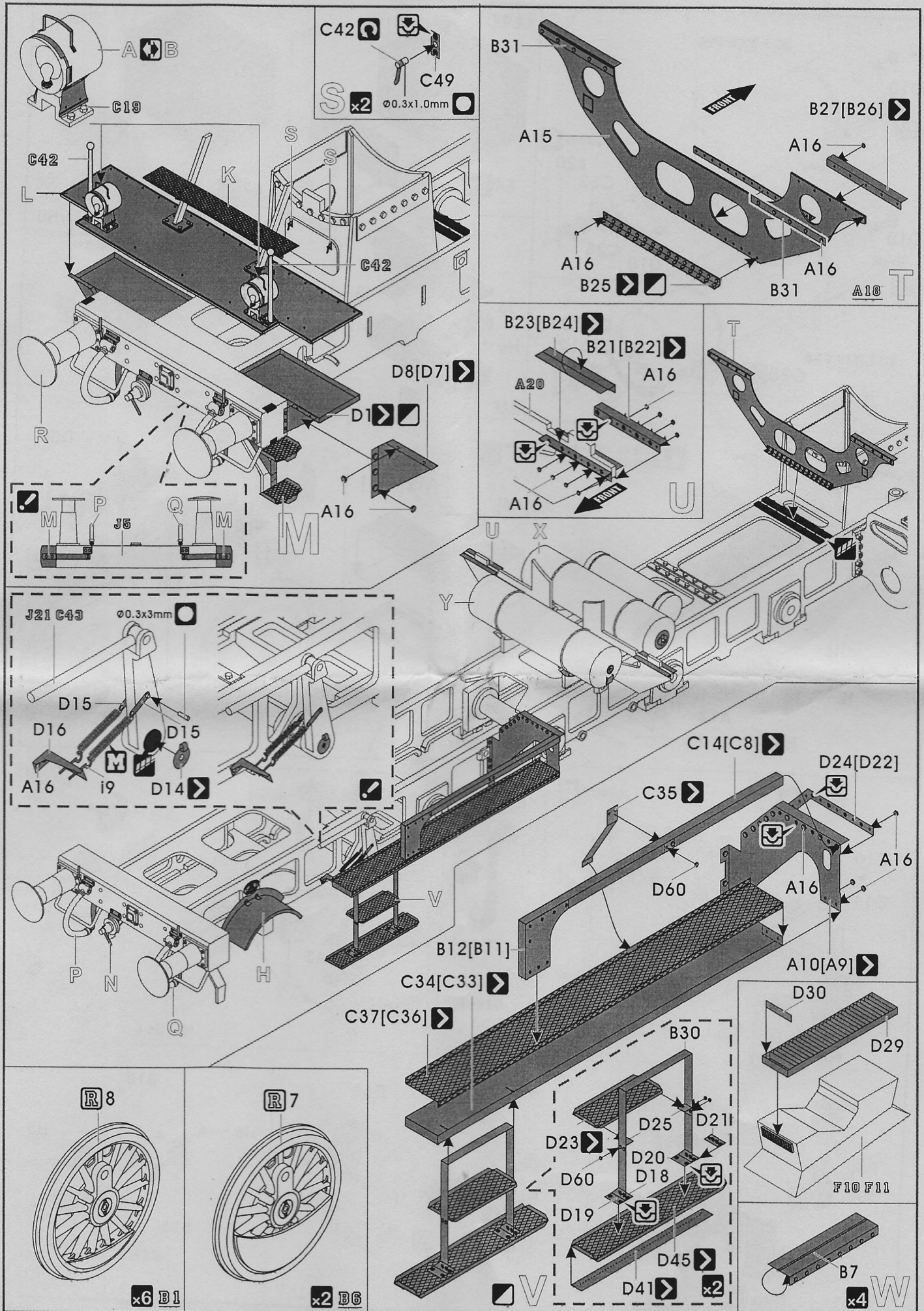
E.T. MODEL®

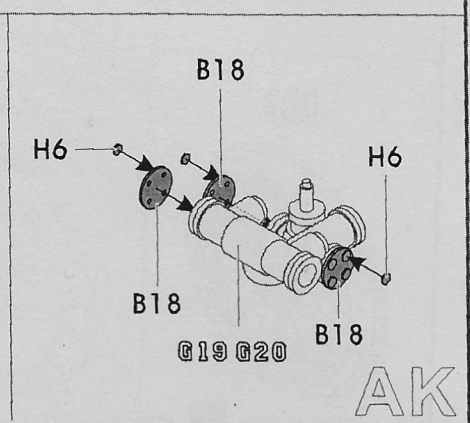
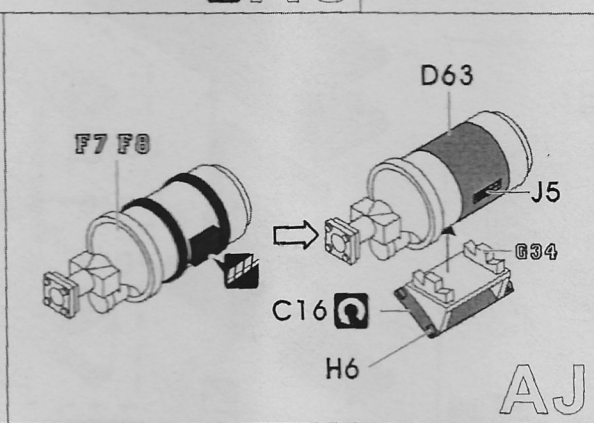
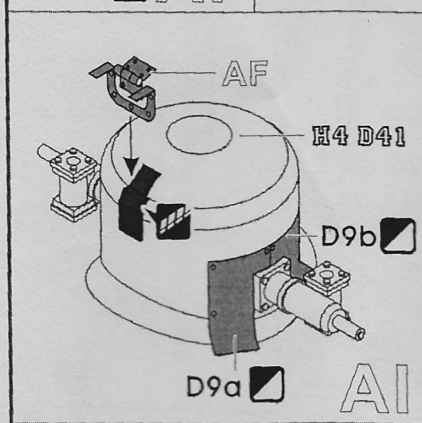
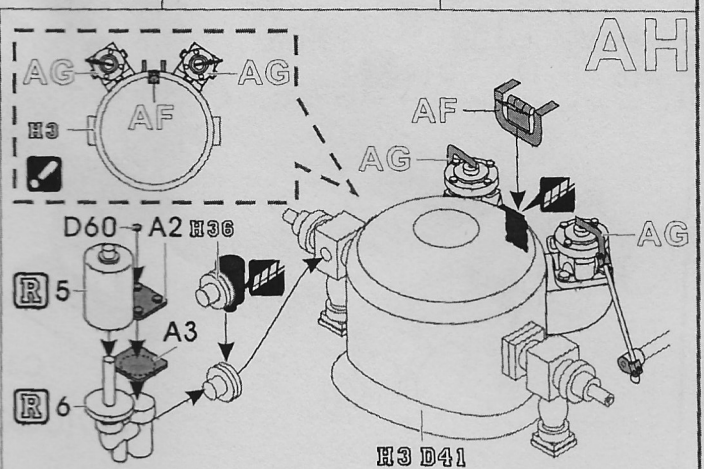
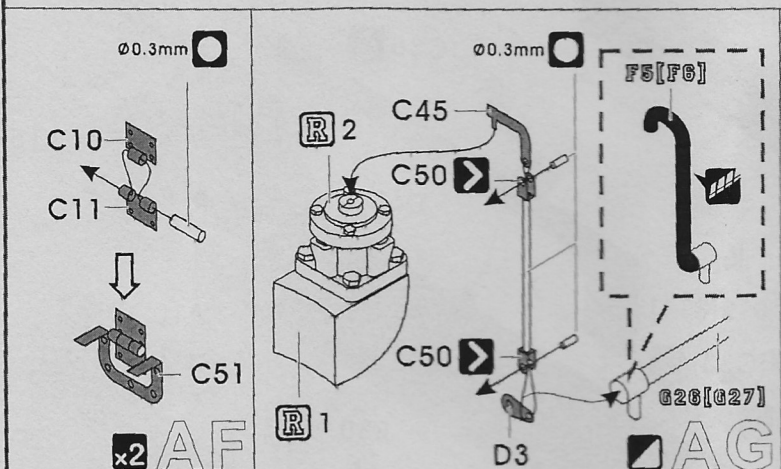
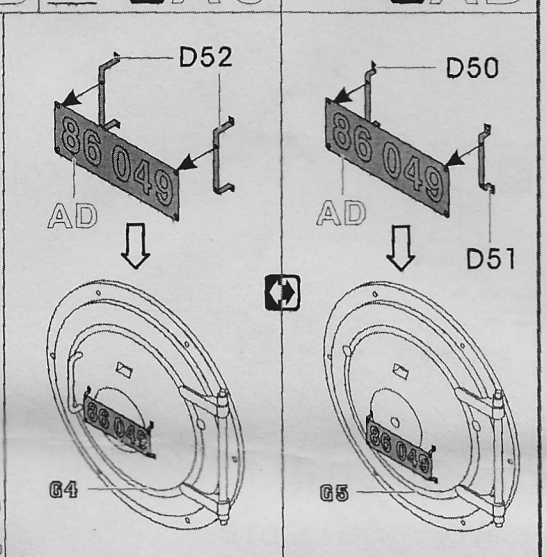
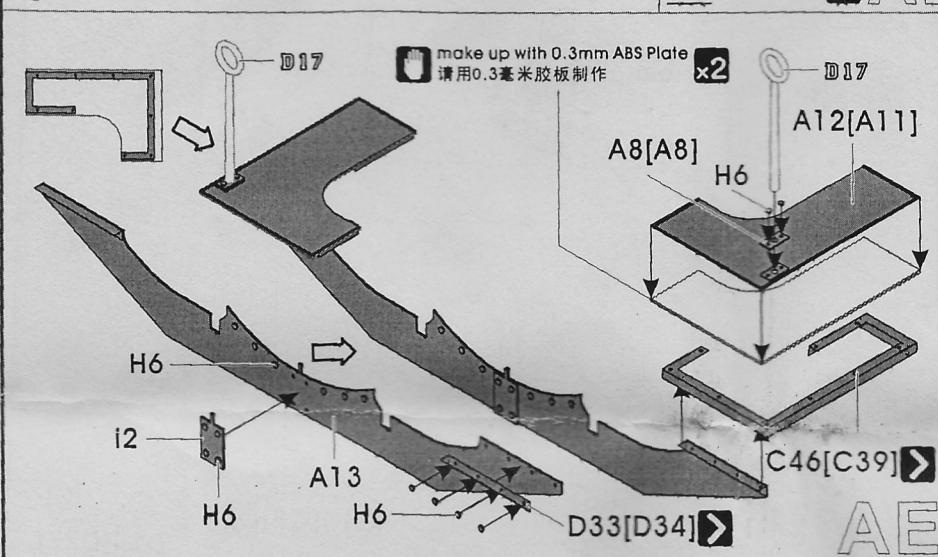
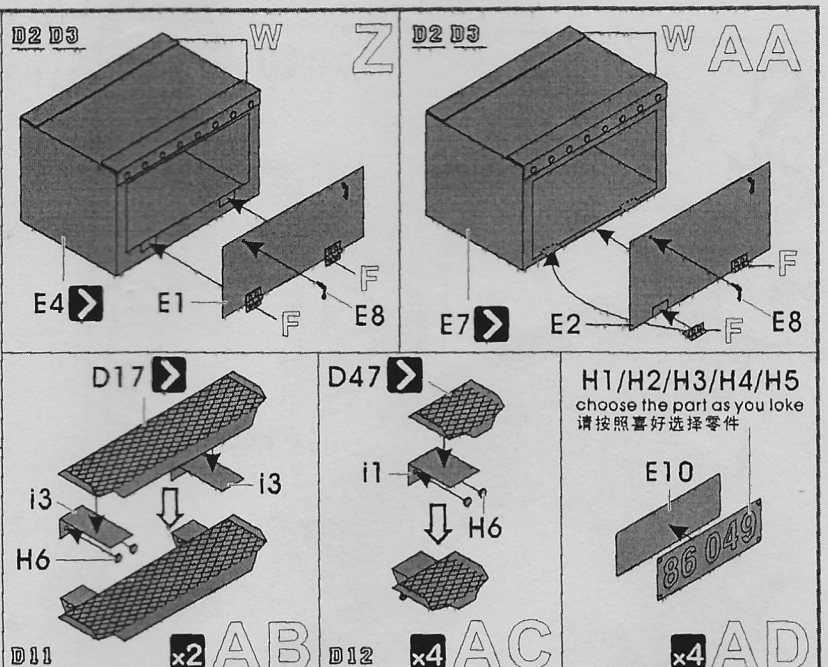
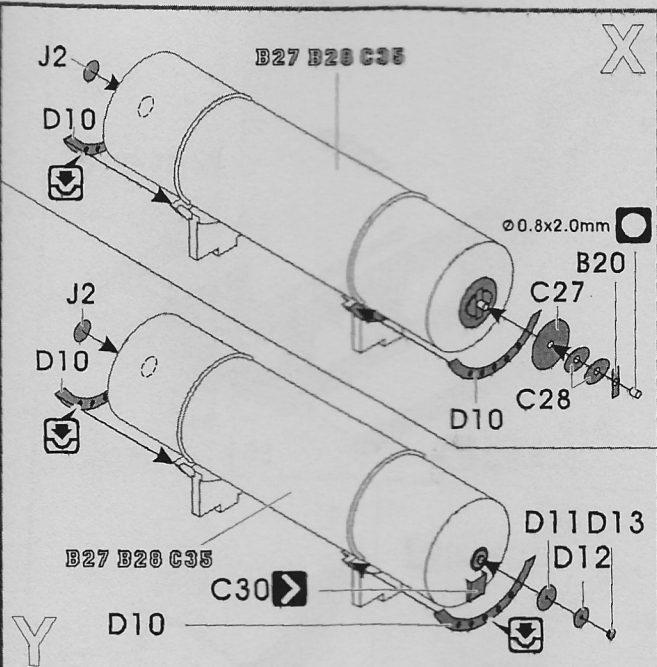


- 1 X2
- 2 X2
- 3 X6
- 4 X16
- 5 X1
- 6 X1
- 7 X2
- 8 X6
- 9 X1
- 10 X1
- 11 X6
- X2

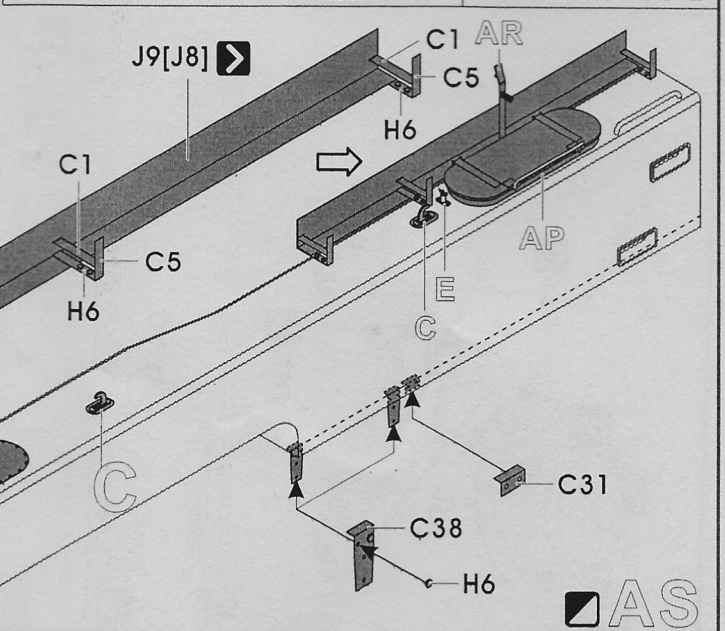
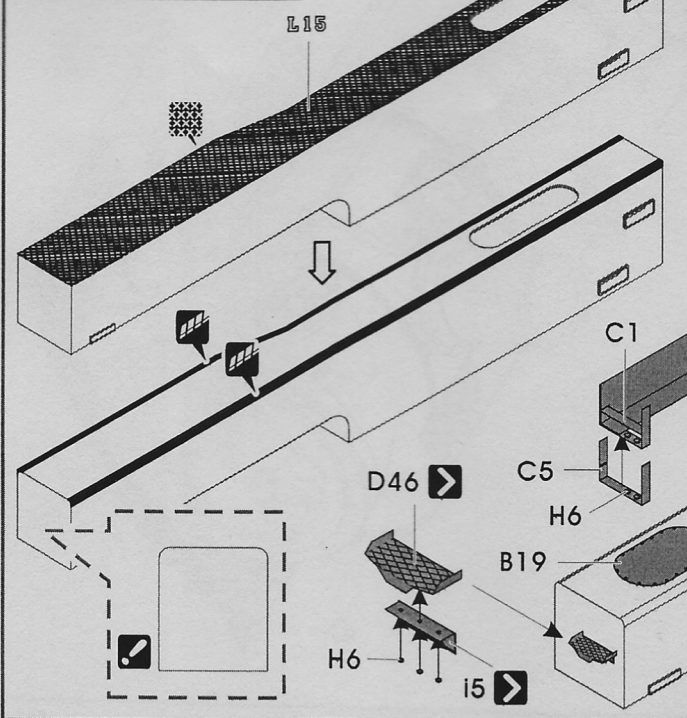
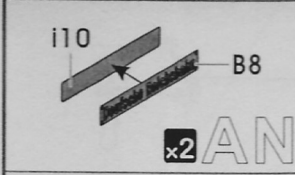
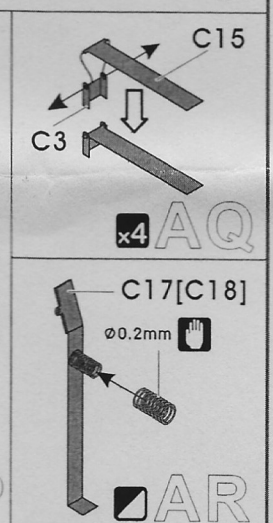
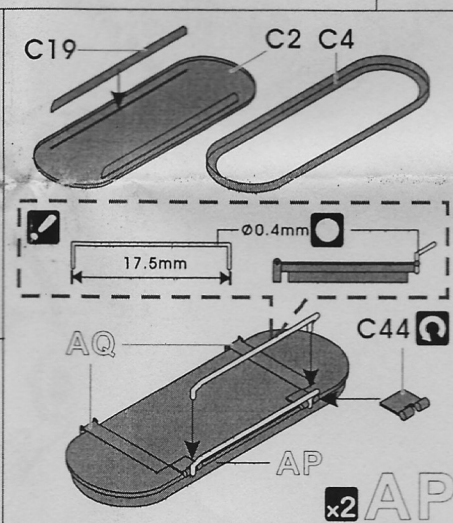
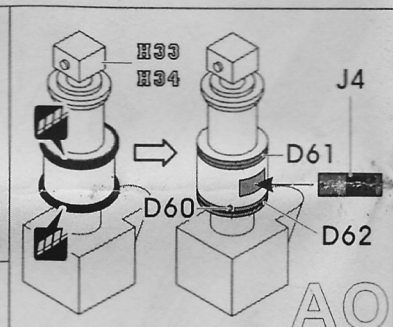
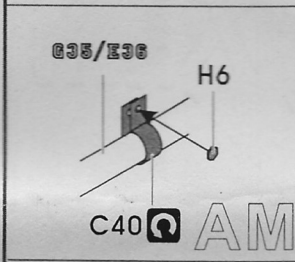
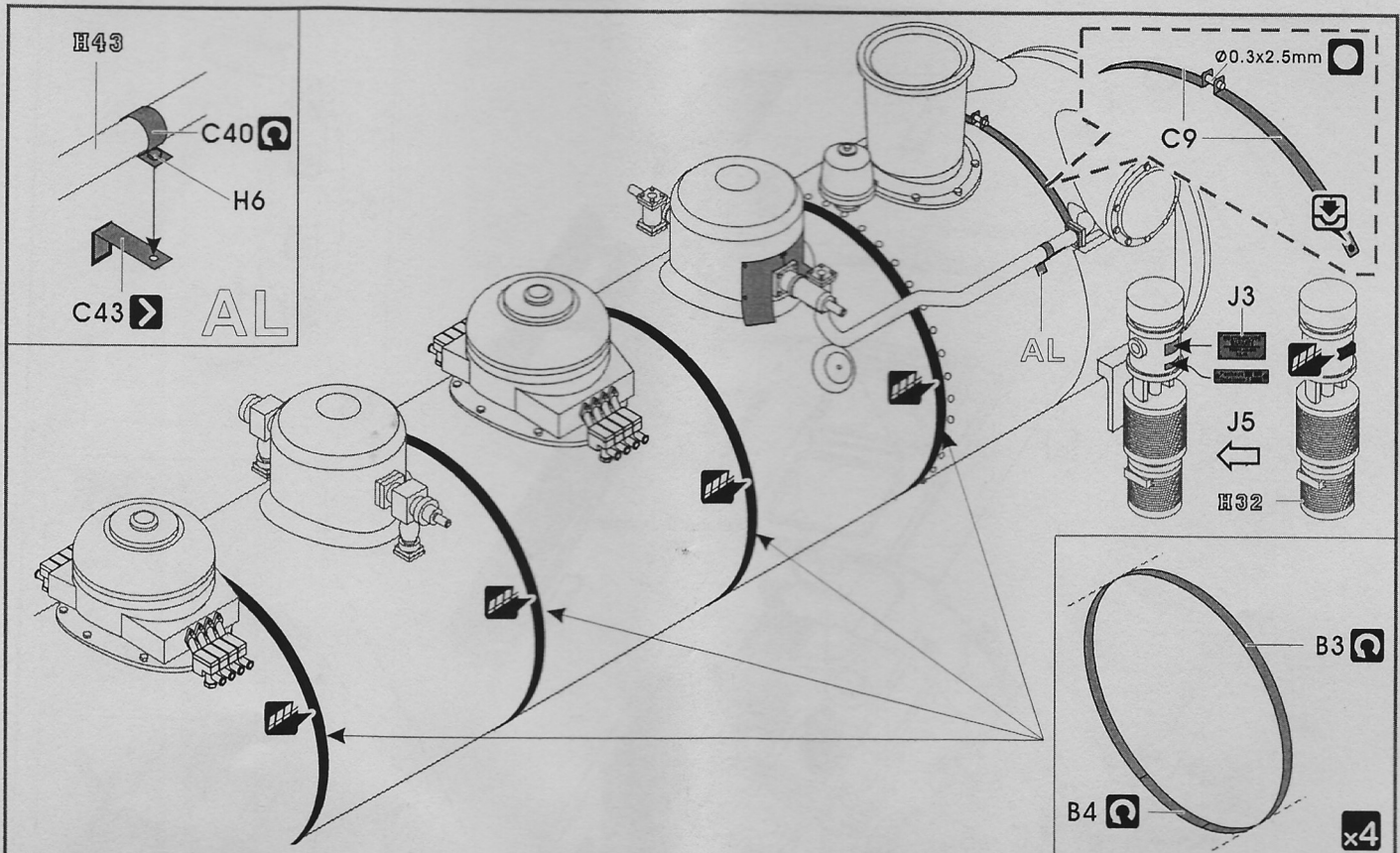






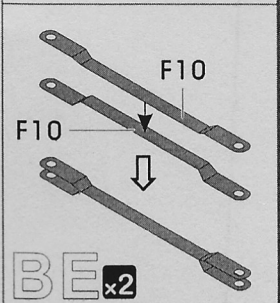
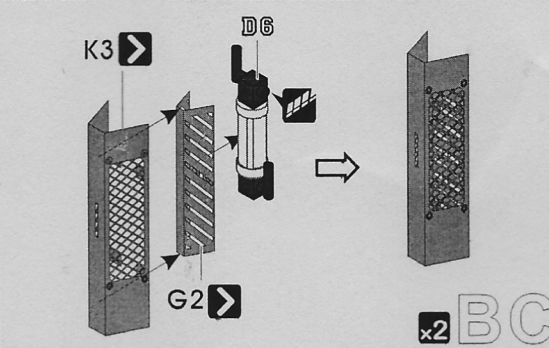
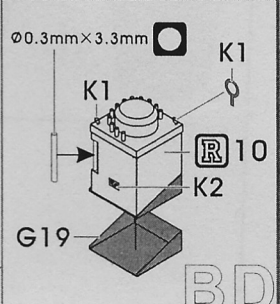
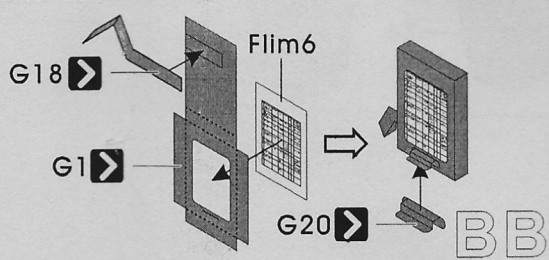
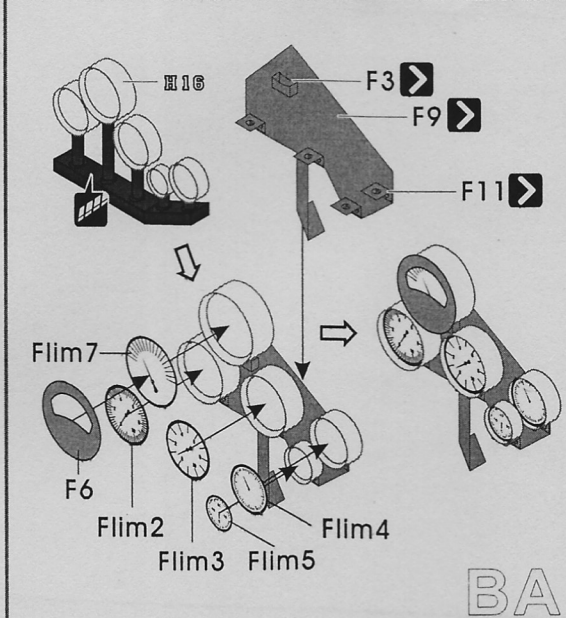
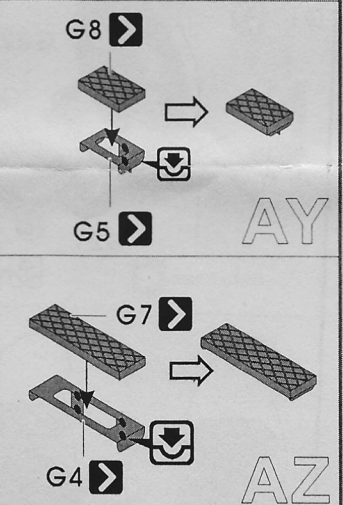
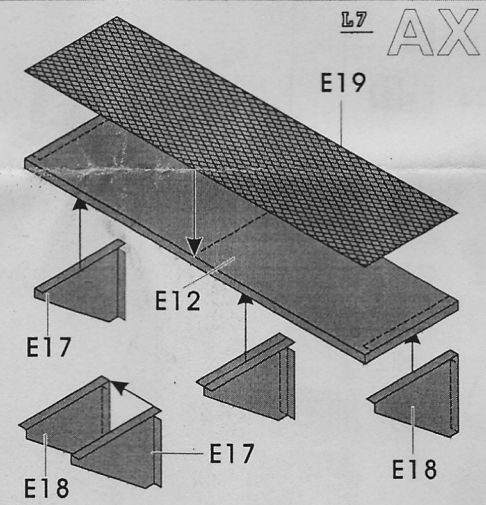
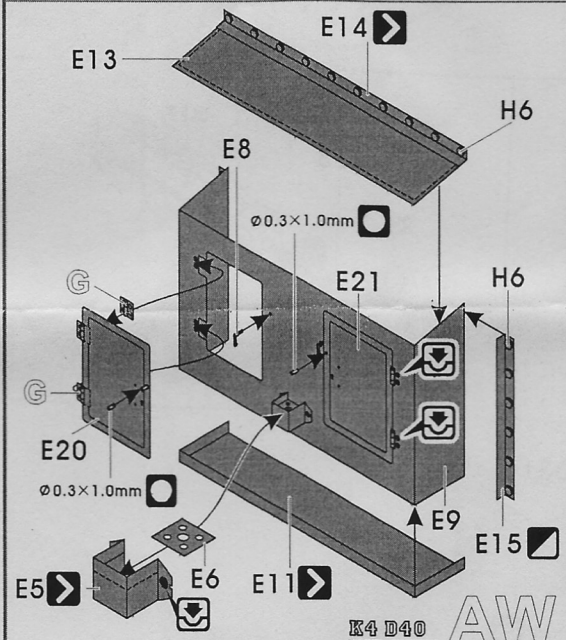
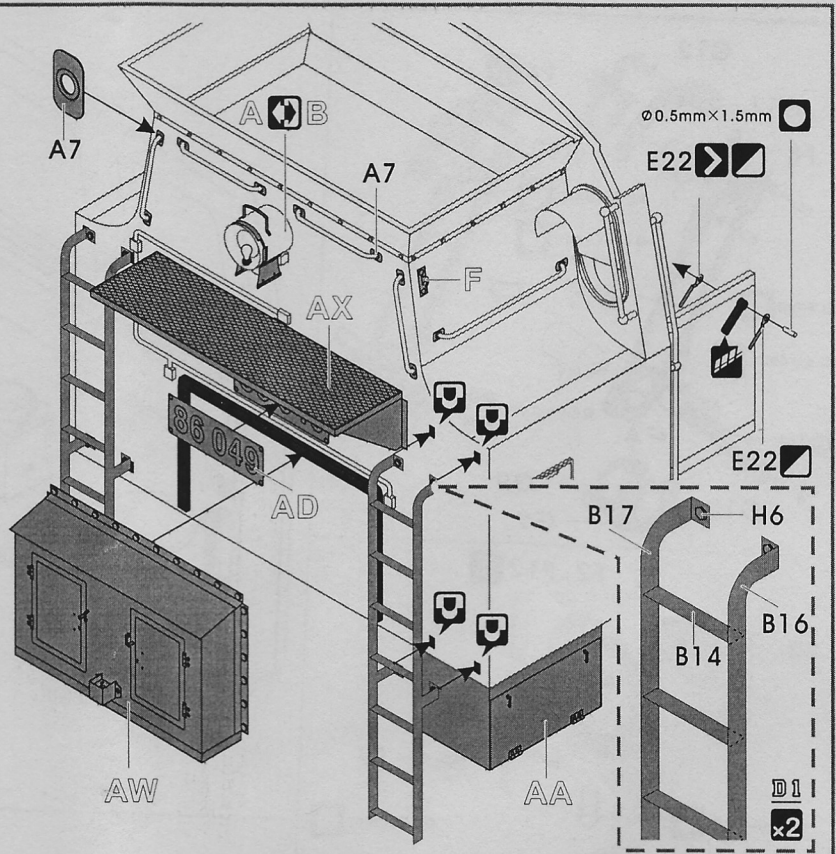
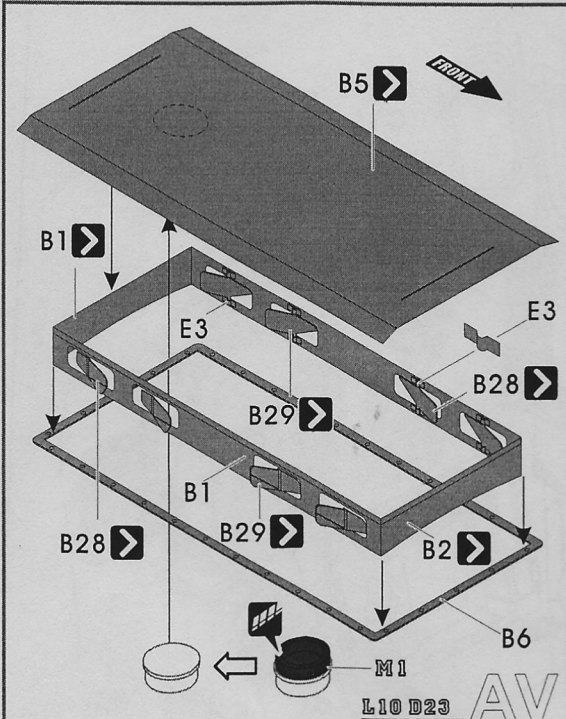


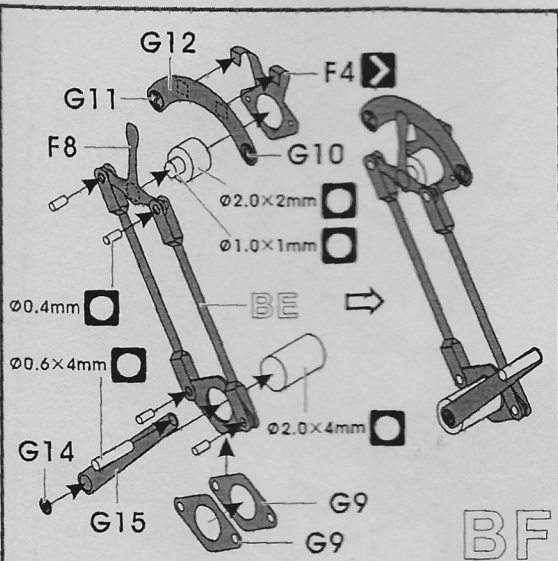




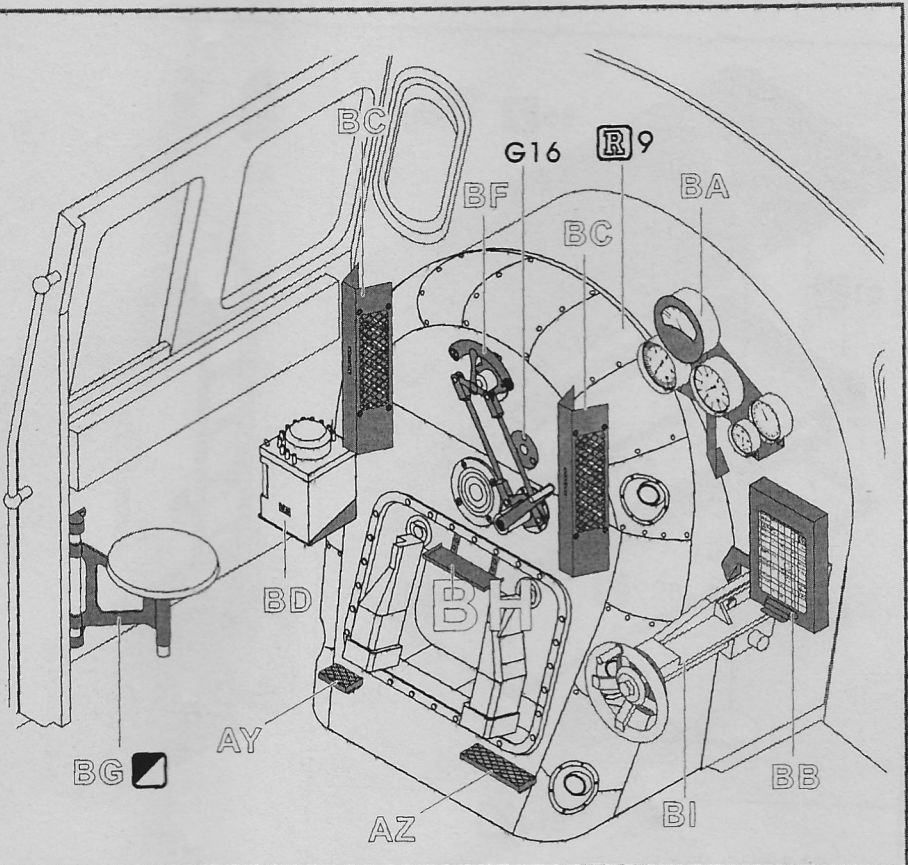
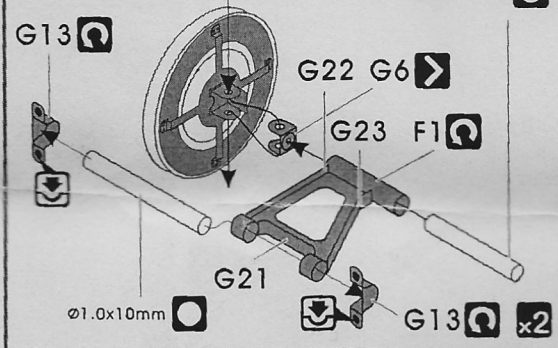
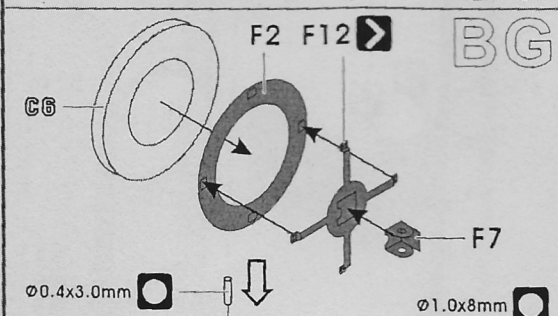




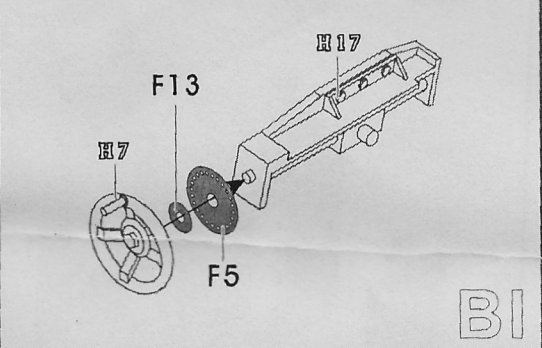




BF  
BG



BH



BI

