

NWAMO709



Hawker Hunter F.4/F.5/J34, F.6 EXPERT kabuki masks

for Airfix kits no. A09189 and A09185

<http://mek.kosmo.cz/newware>

INCLUDES ALSO  
WINDOWS INNER SIDE AND  
CAMOUFLAGE DETAILSMASKS

1/48 scale

tom.nwkits@seznam.cz

**Important:**

Let the sprayed color dry before applying masks. Remove masks very carefully after painting.

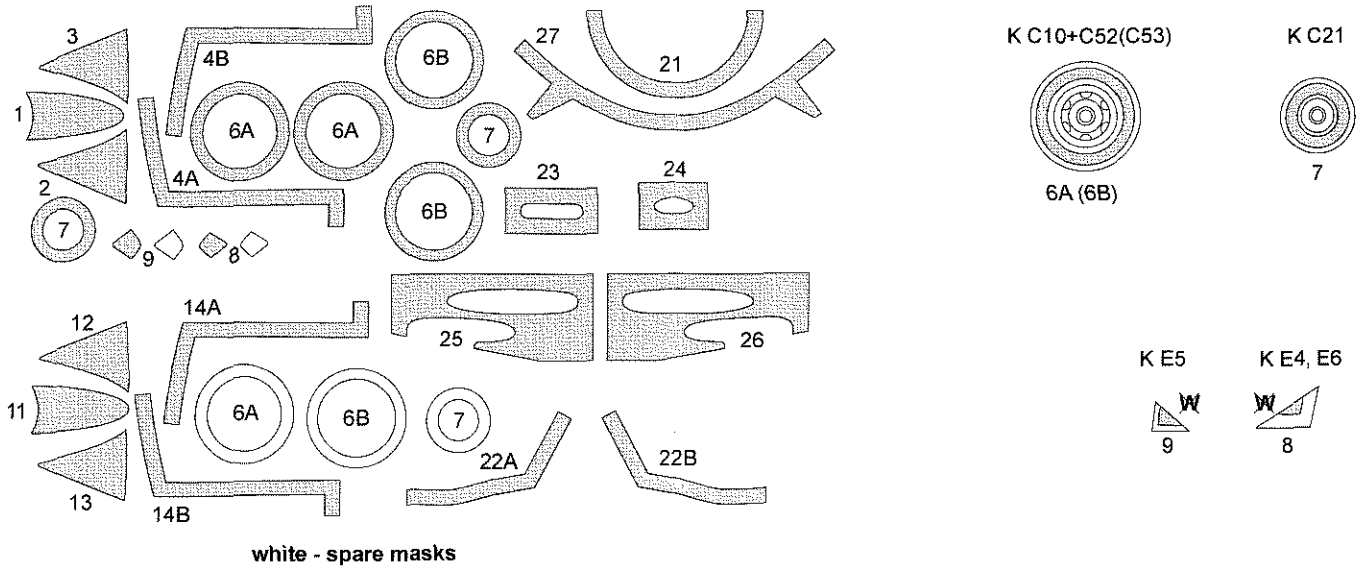
Where the mask is divided into A and B parts, first apply part A, next part B.

The set does not include masks for all areas, so mask the rest with masking tape or liquid mask.

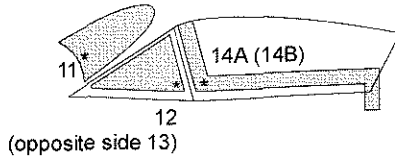
K kit part

\* start placing the mask from this point

Placing wet masks on wet surface is recommended, except those marked by **W**



STEP 1 - exterior view  
mask interior, paint interior color



STEP 2  
mask exterior, paint camouflage color

