

1/35 SCALE U.S. MAIN BATTLE TANK

M1A2 SEP ABRAMS TUSK I/ TUSK II 2 IN 1

M1A2 SEP エイブラムス TUSK I/TUSK II w/フルインテリア

美国主战坦克M1A2 艾布拉姆斯 TUSK I/ TUSK II 2合1

ASSEMBLY ICONS



OPTIONAL
选择



CEMENT
膠水



DO NOT CEMENT
不使用膠水



INSTANT CEMENT
瞬間接著劑



BEND
彎折



MAKE 2
製作2組



OPEN HOLE
鑽孔



REMOVE
切除



BE CAREFUL
注意



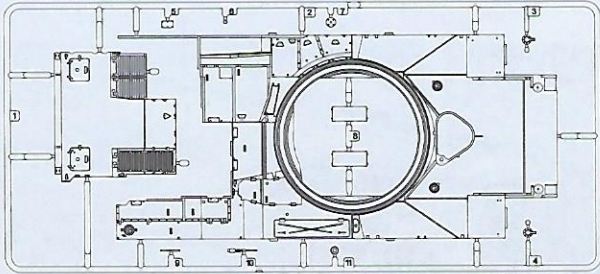
APPLY DECAL
貼上水貼紙

CAUTION!

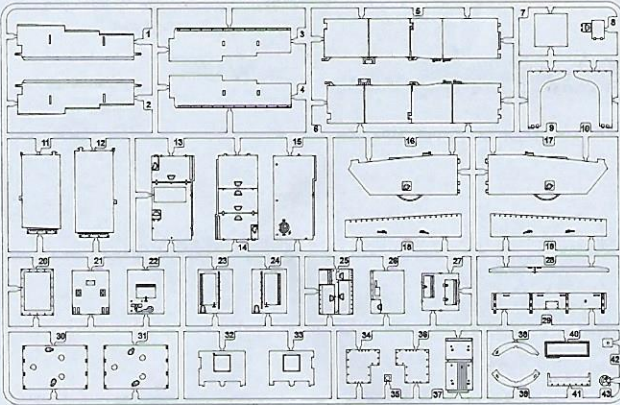
Read carefully and fully understand the instructions before commencing assembly.
Supervising adult should also read the instructions if a child assembles the model.
When you used glue or paint, do not use near a naked flame, and use in a well-ventilated room.
When assembling this kit, tools including knives are used. Extra care should be taken to avoid personal injury.
Read and follow the instructions supplied with paints and/ or cement. Use plastic cement and paints only.
Keep out of reach of small children. Children must not be allowed to suck any part, or pull vinyl bag over the head.

在裝配前仔細閱讀說明並完全理解。小孩裝配時需成人看護且需仔細閱讀說明。
使用膠水和油漆時，應遠離火源並打開窗戶保持空氣流通。
製作時請格外注意工具刀和零件的鋒利尖銳部分，避免對身體造成傷害。
在使用膠水和油漆前仔細閱讀注意事項，按照說明正確使用膠水和油漆。
請將本品放在兒童接觸不到的地方，套件中的塑膠包裝袋會對兒童造成窒息的危險。

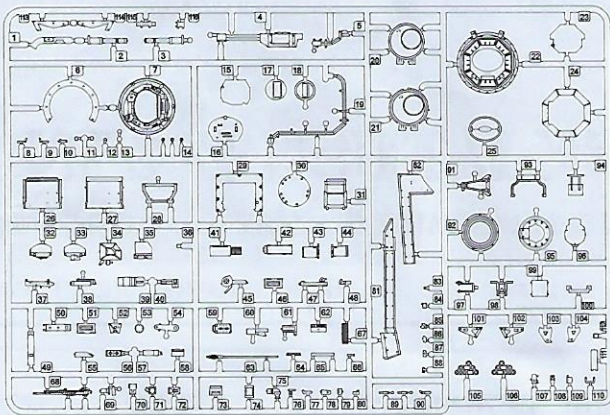
A X1



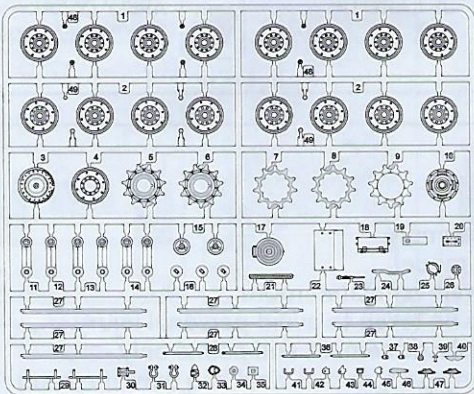
B X1



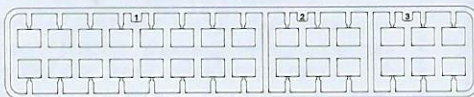
E X1



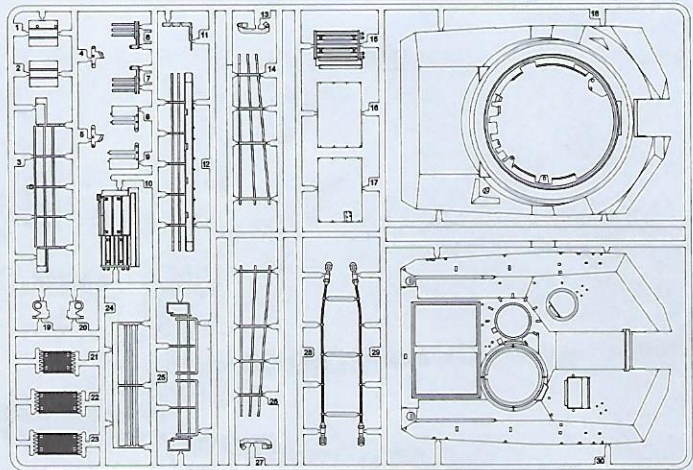
C X2



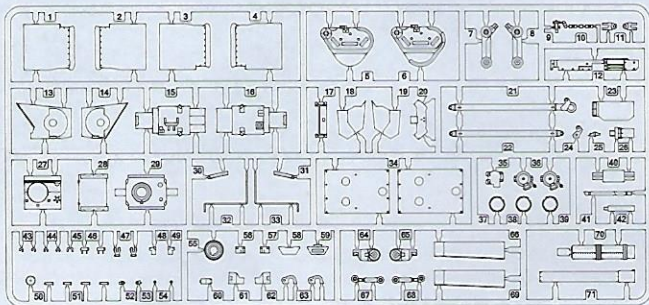
H x1



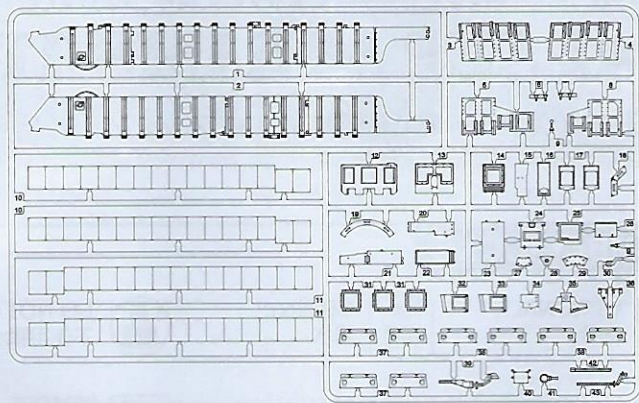
D X1



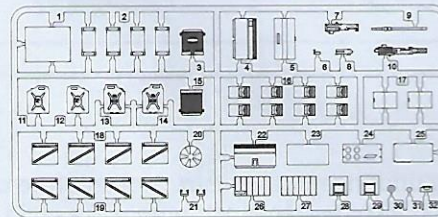
F X1



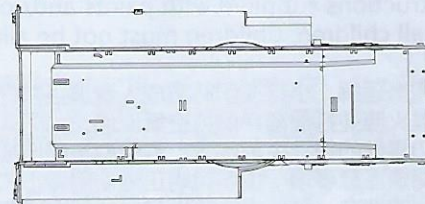
J x1



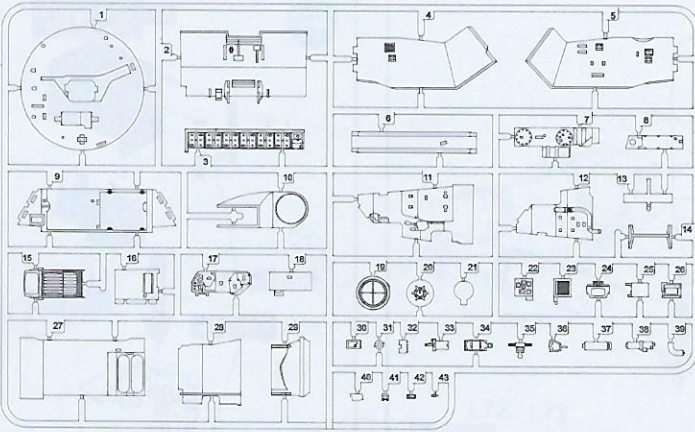
O X2



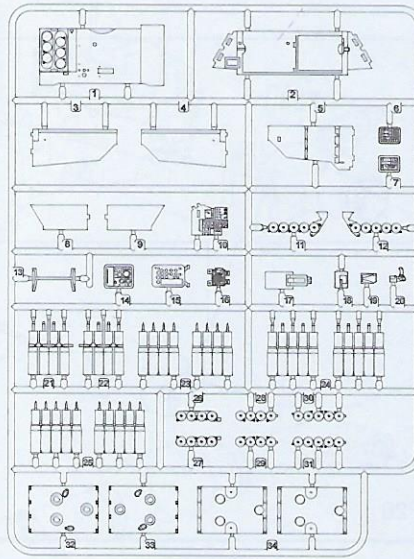
Lower Hull X1



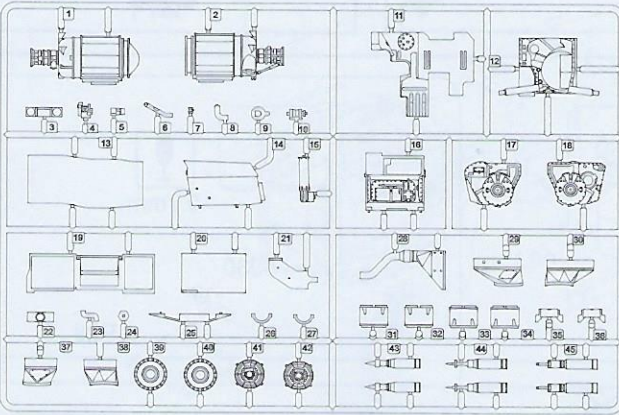
G X1



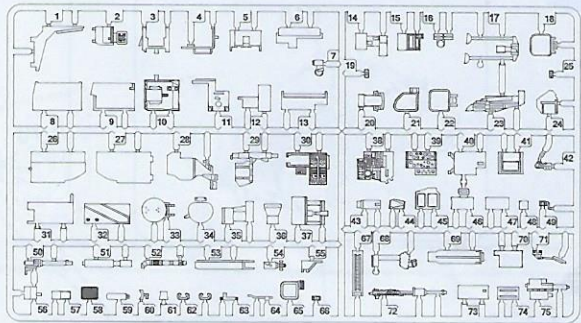
N X1



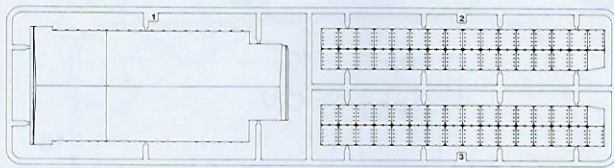
P X1



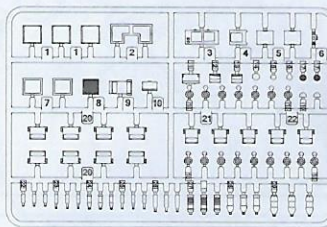
L X1



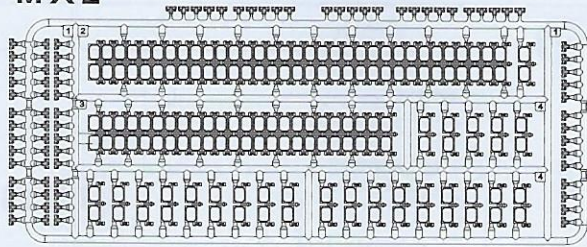
K X1



T X1



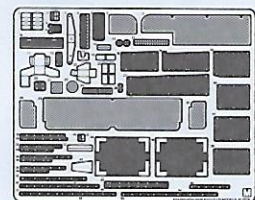
M X2



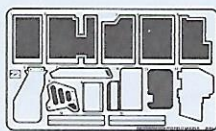
Decal

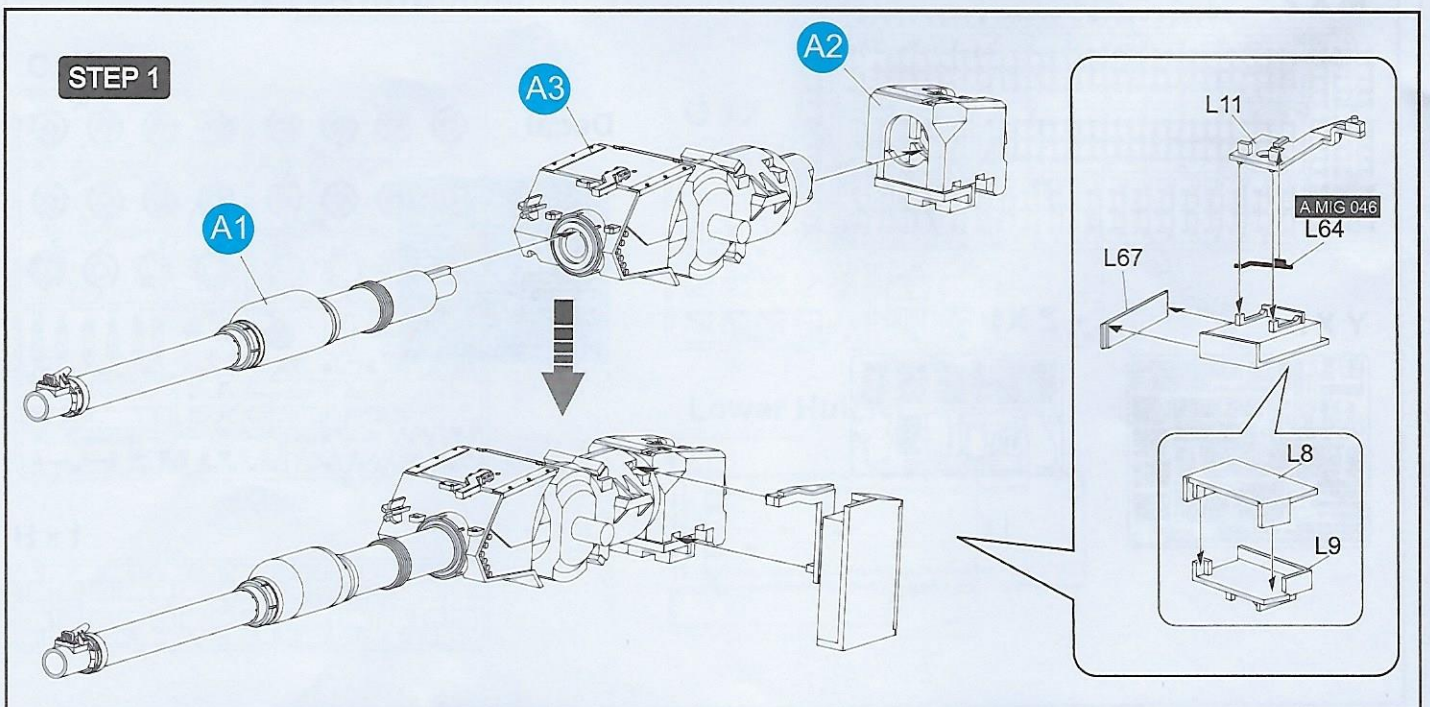
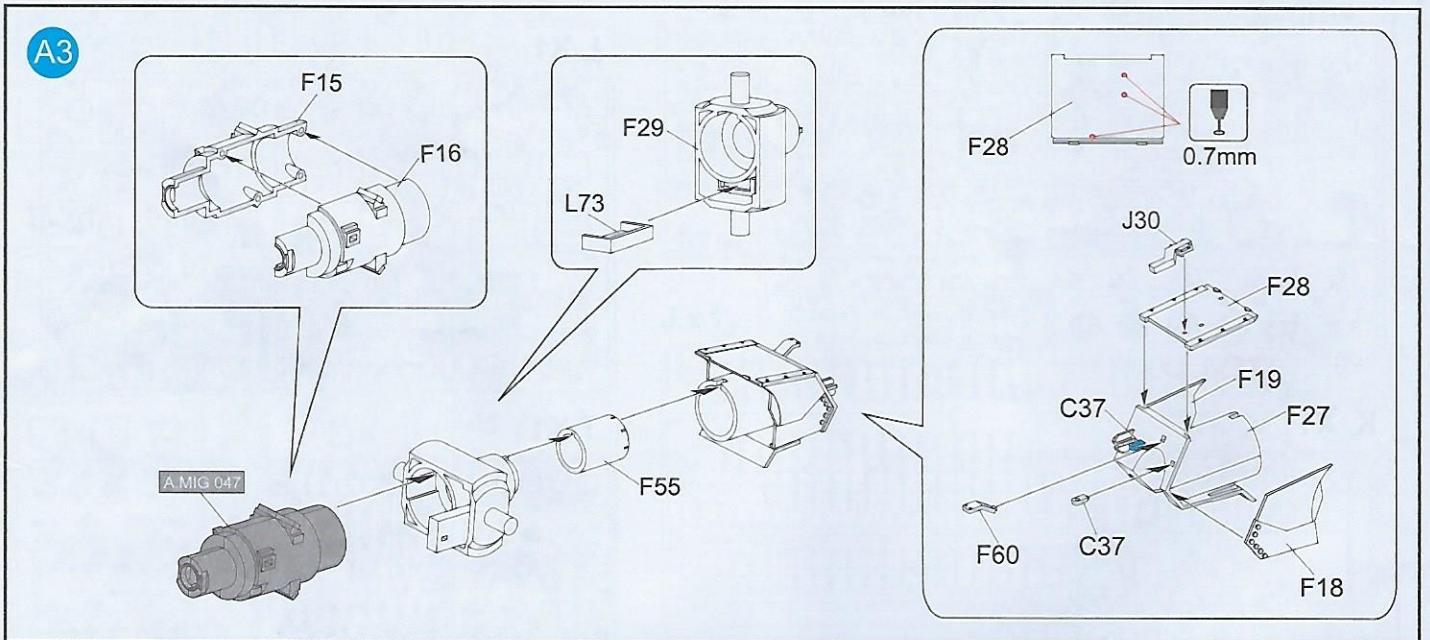
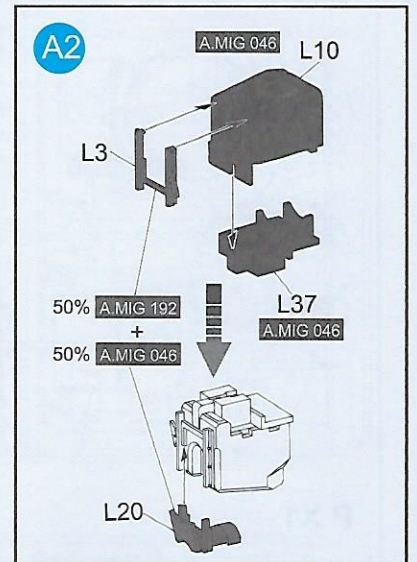
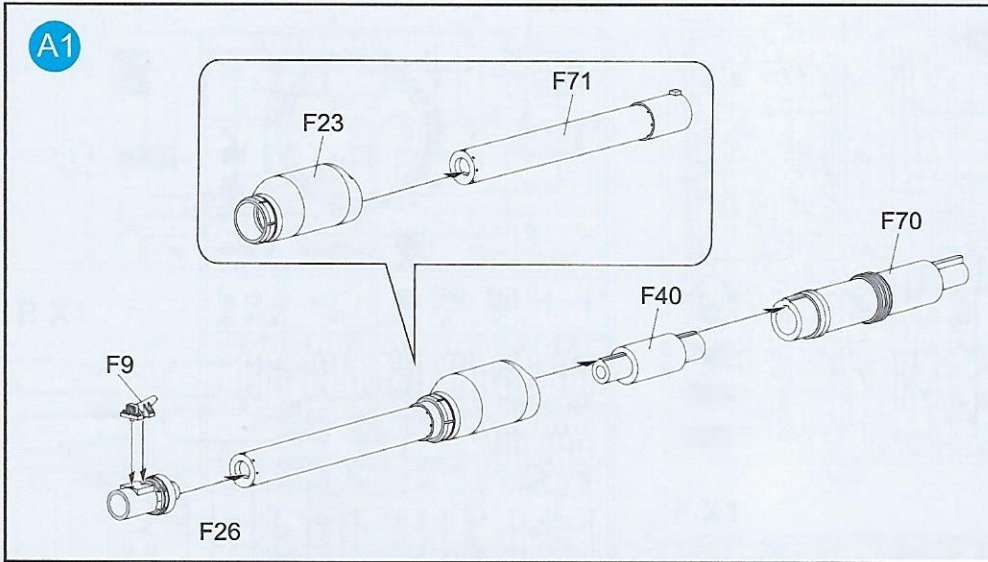


Y X1



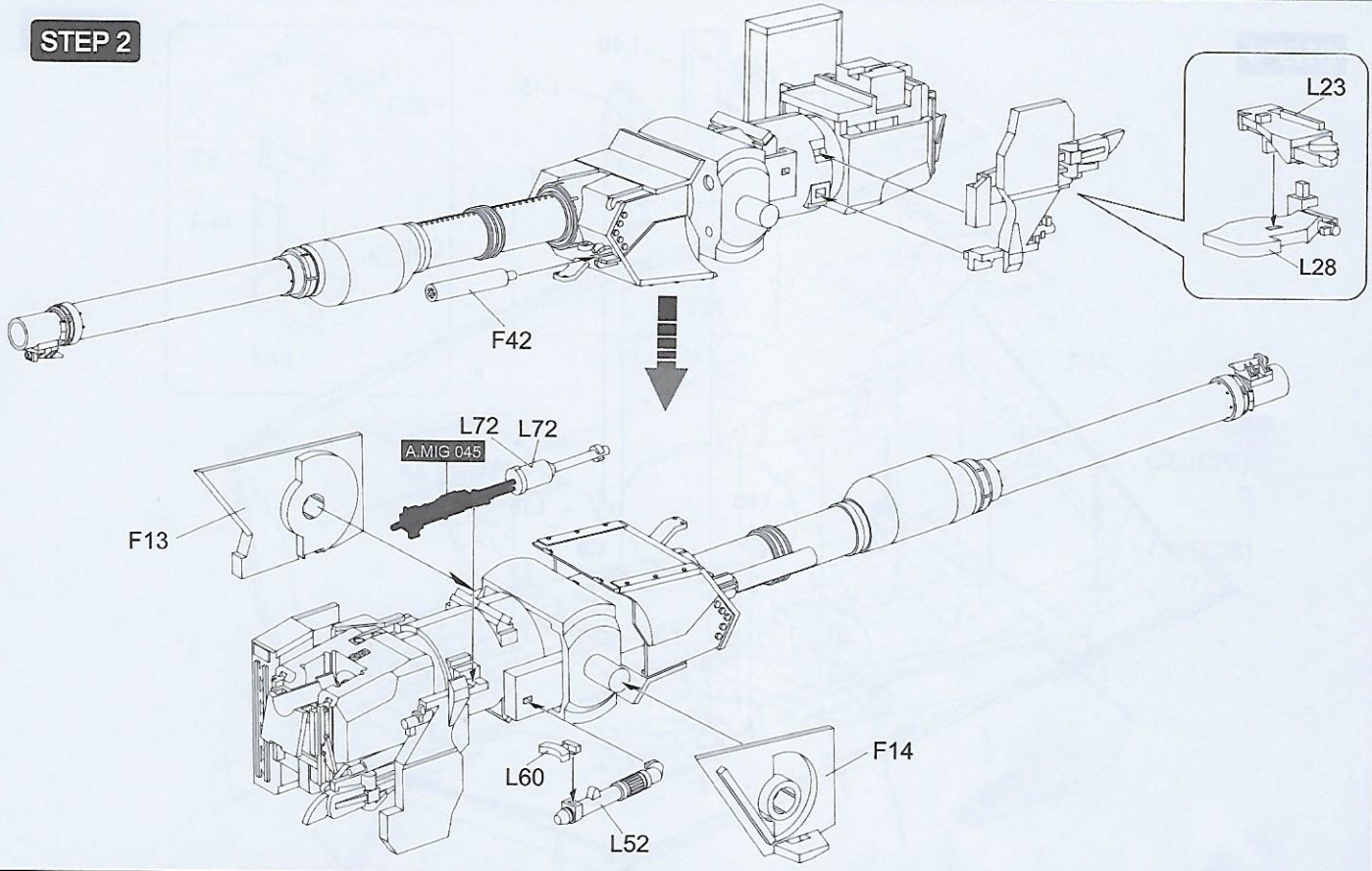
Z X1



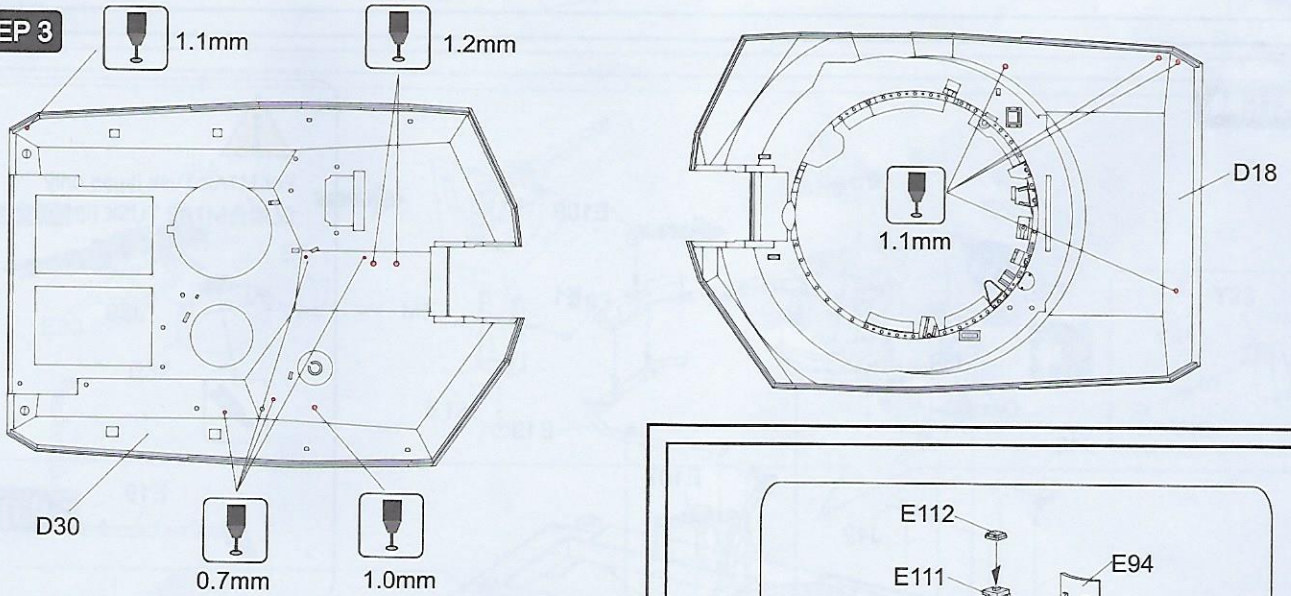


M1A2 TUSK I / TUSK II Turret Assembly • M1A2 TUSK I / TUSK II 炮塔組合

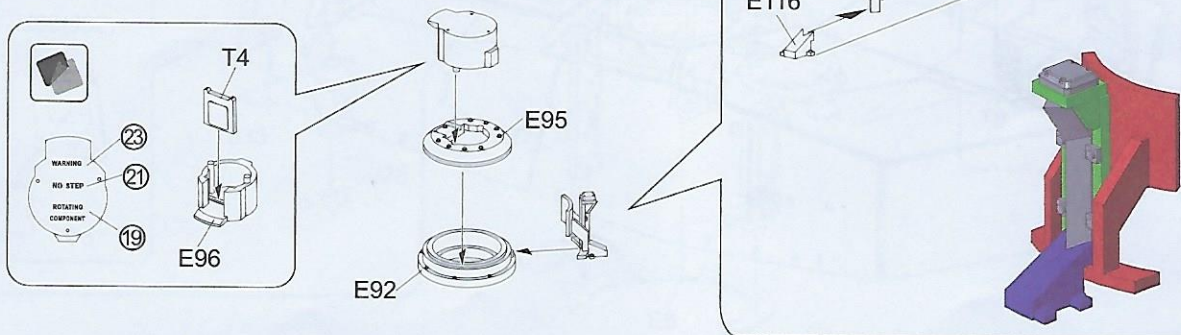
STEP 2



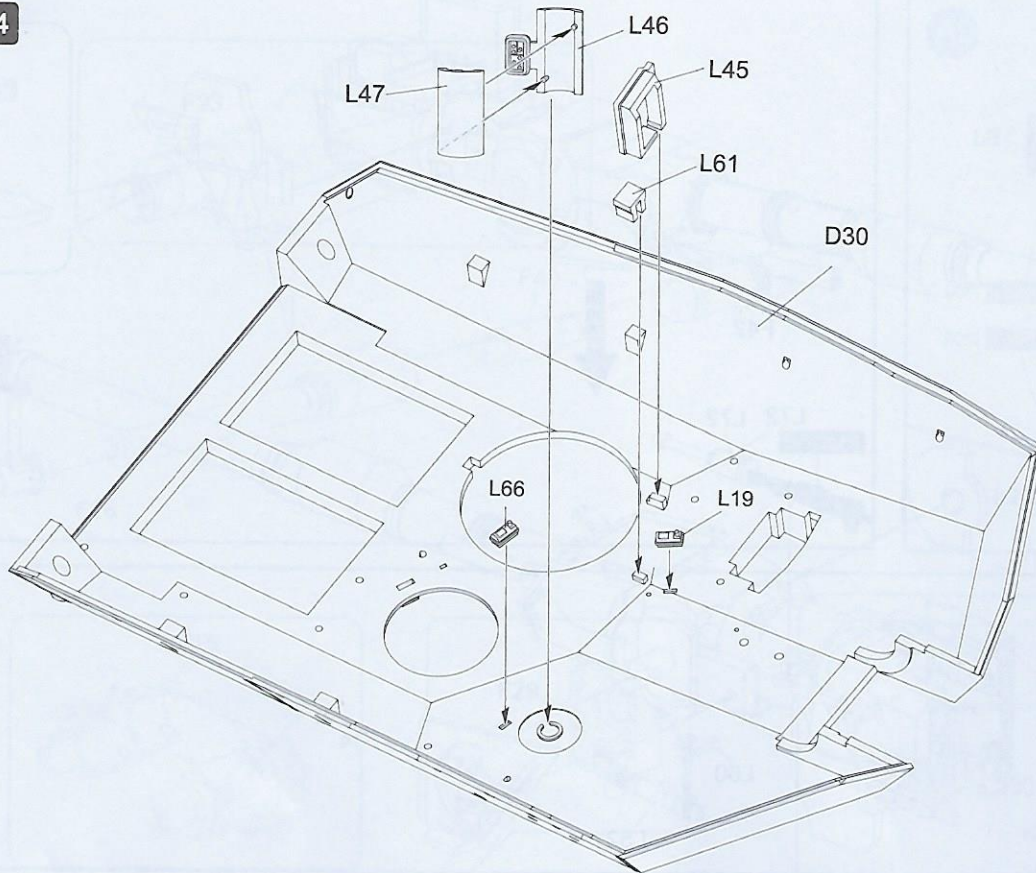
STEP 3



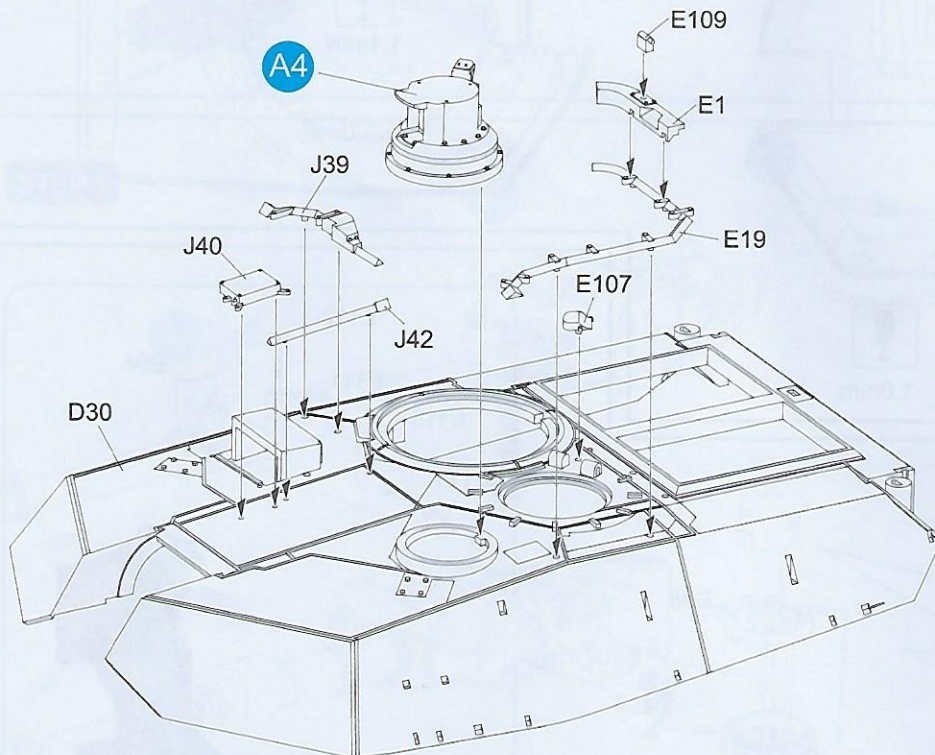
A4



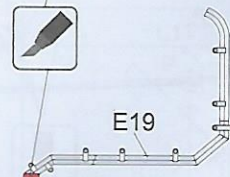
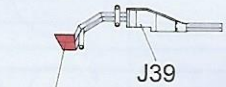
STEP 4



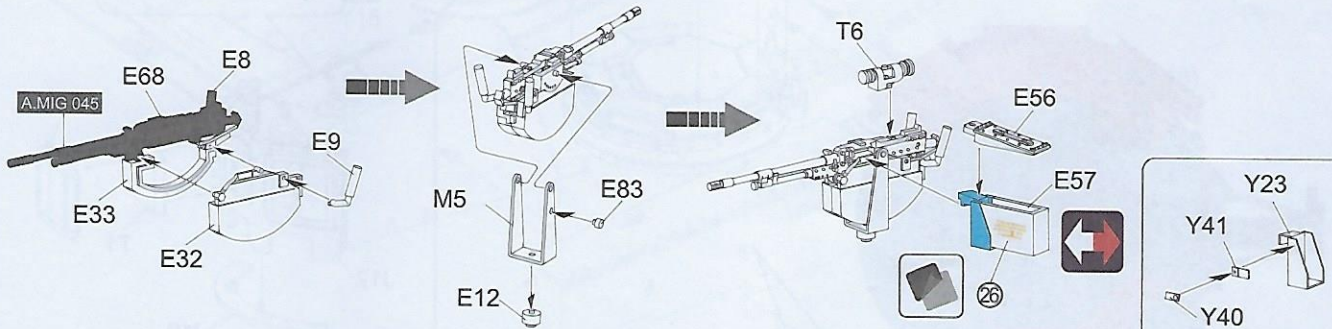
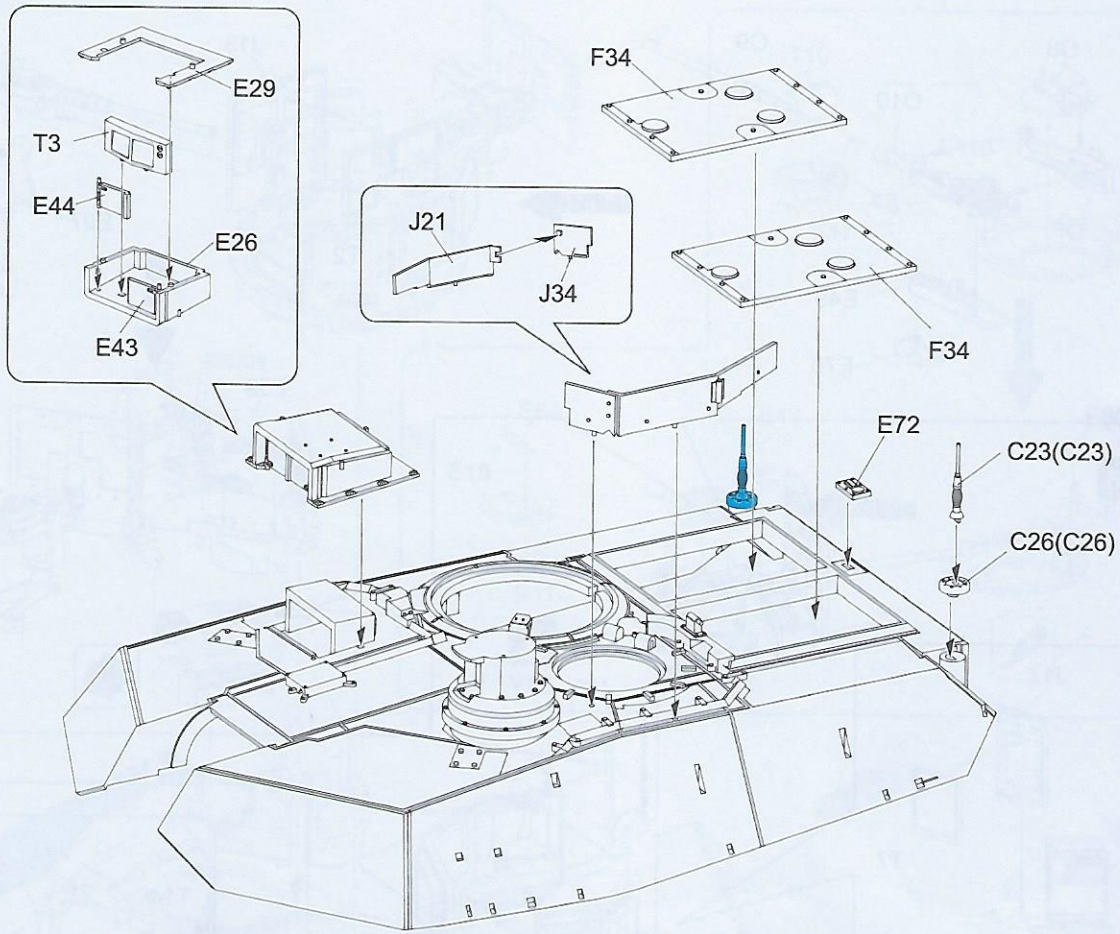
STEP 5



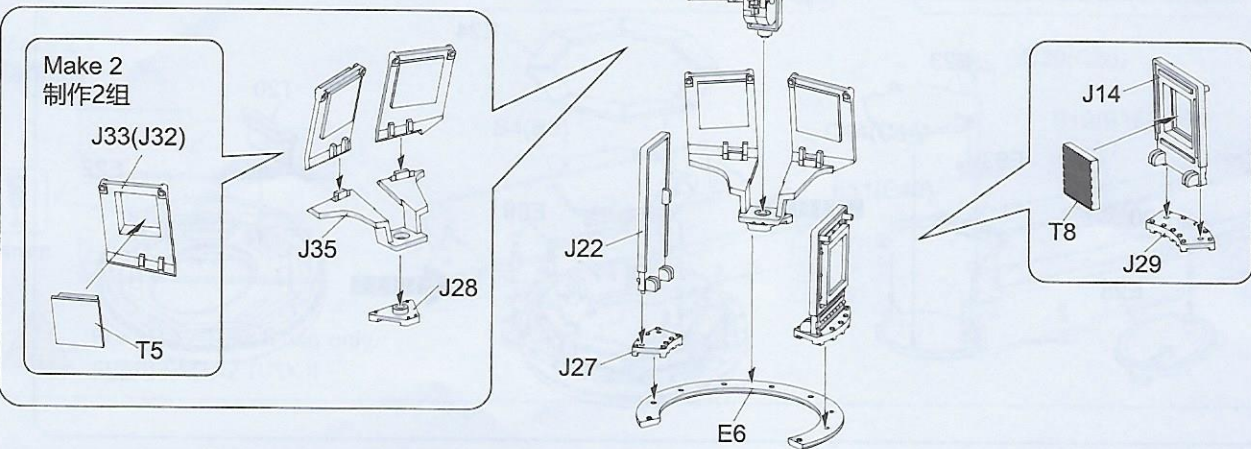
For M1A2 Tusk II use only.
仅组合M1A2 TUSK II时切除



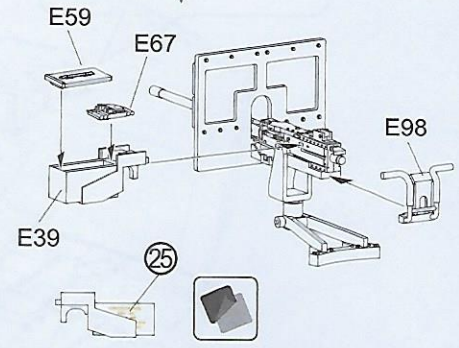
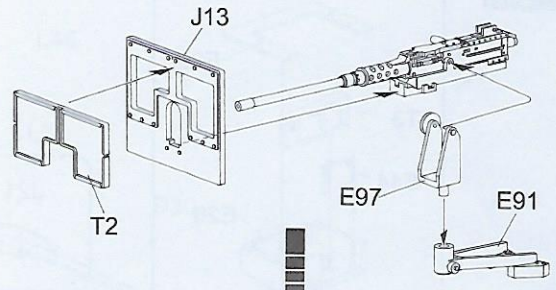
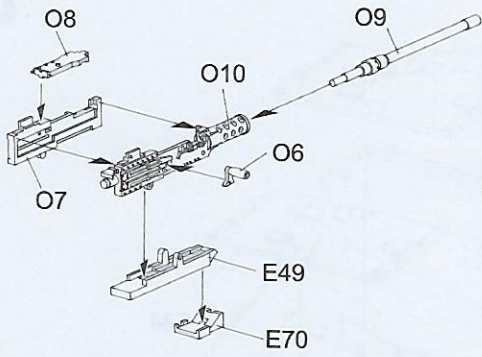
STEP 6



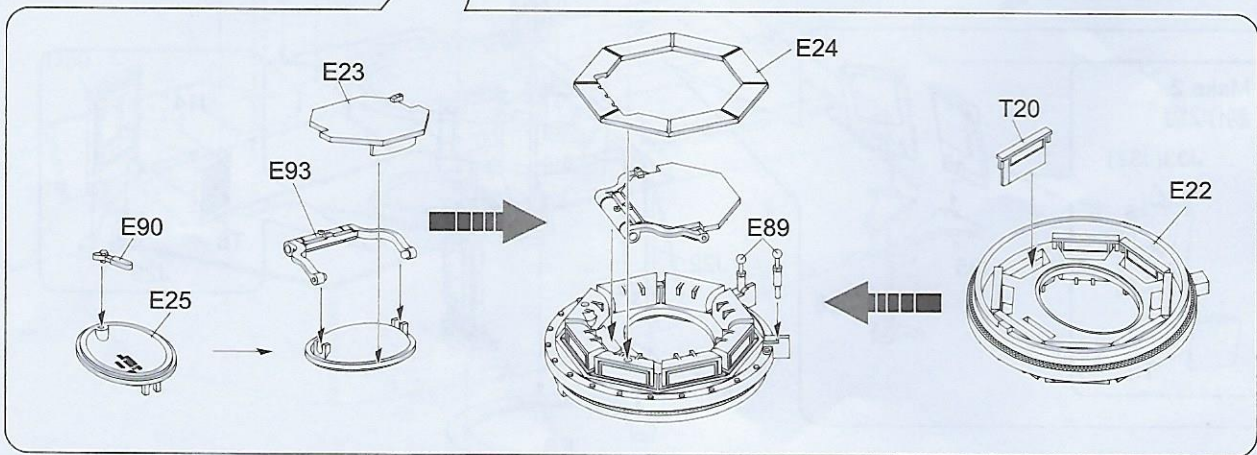
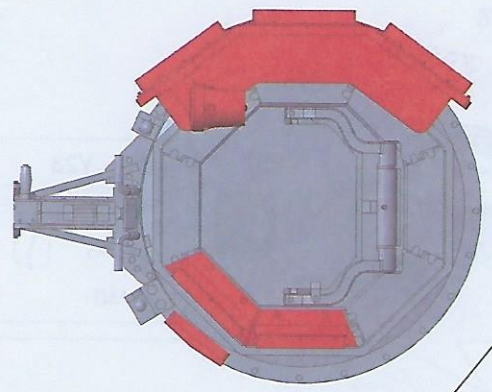
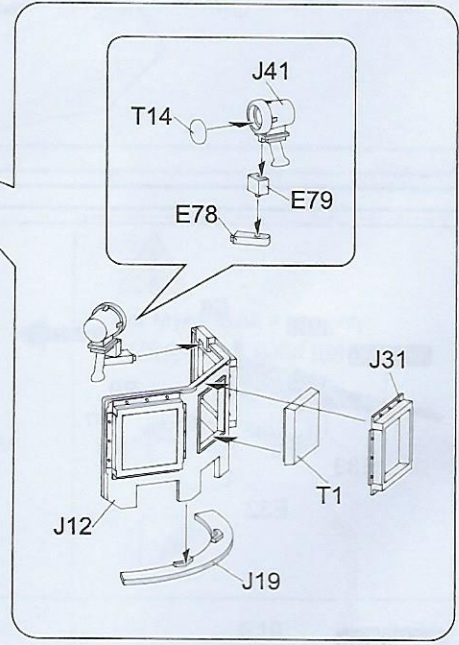
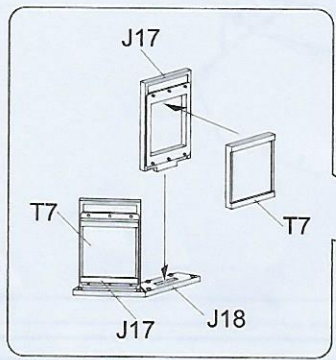
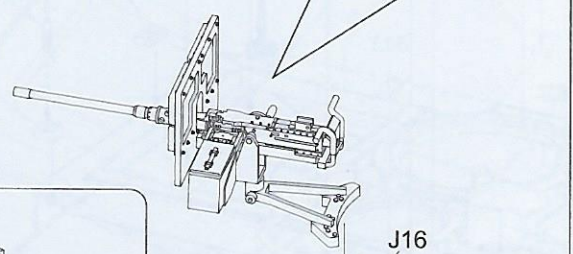
STEP 7



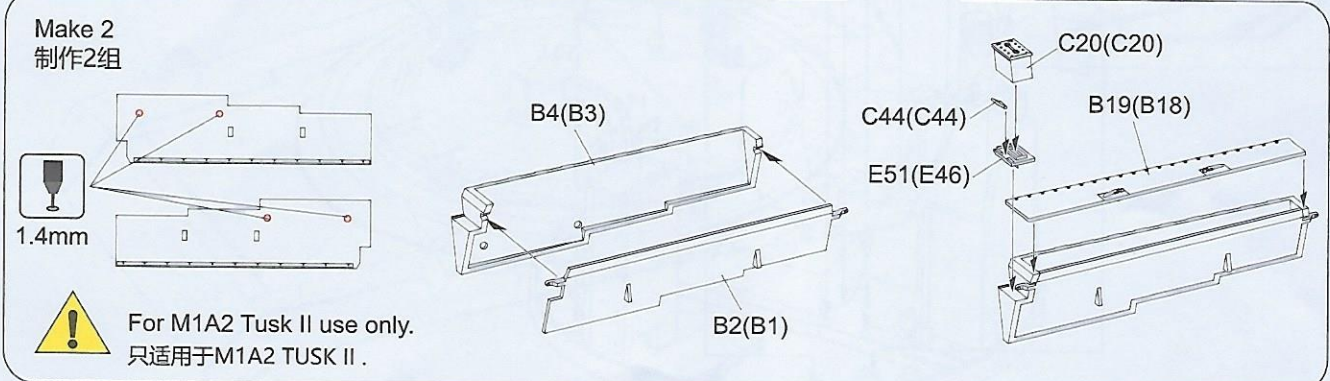
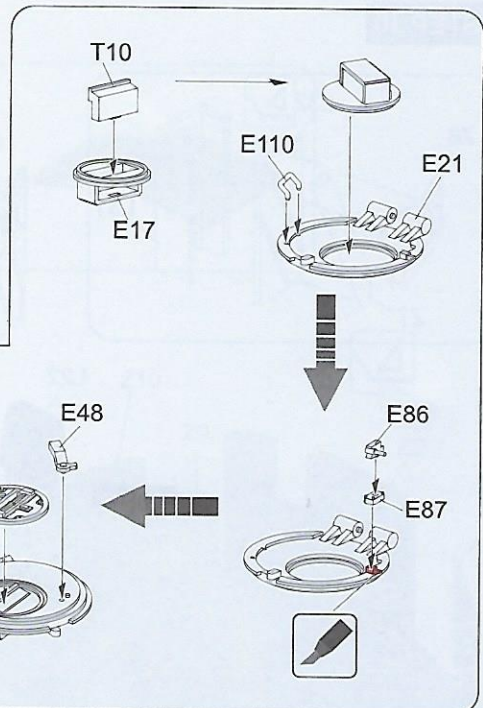
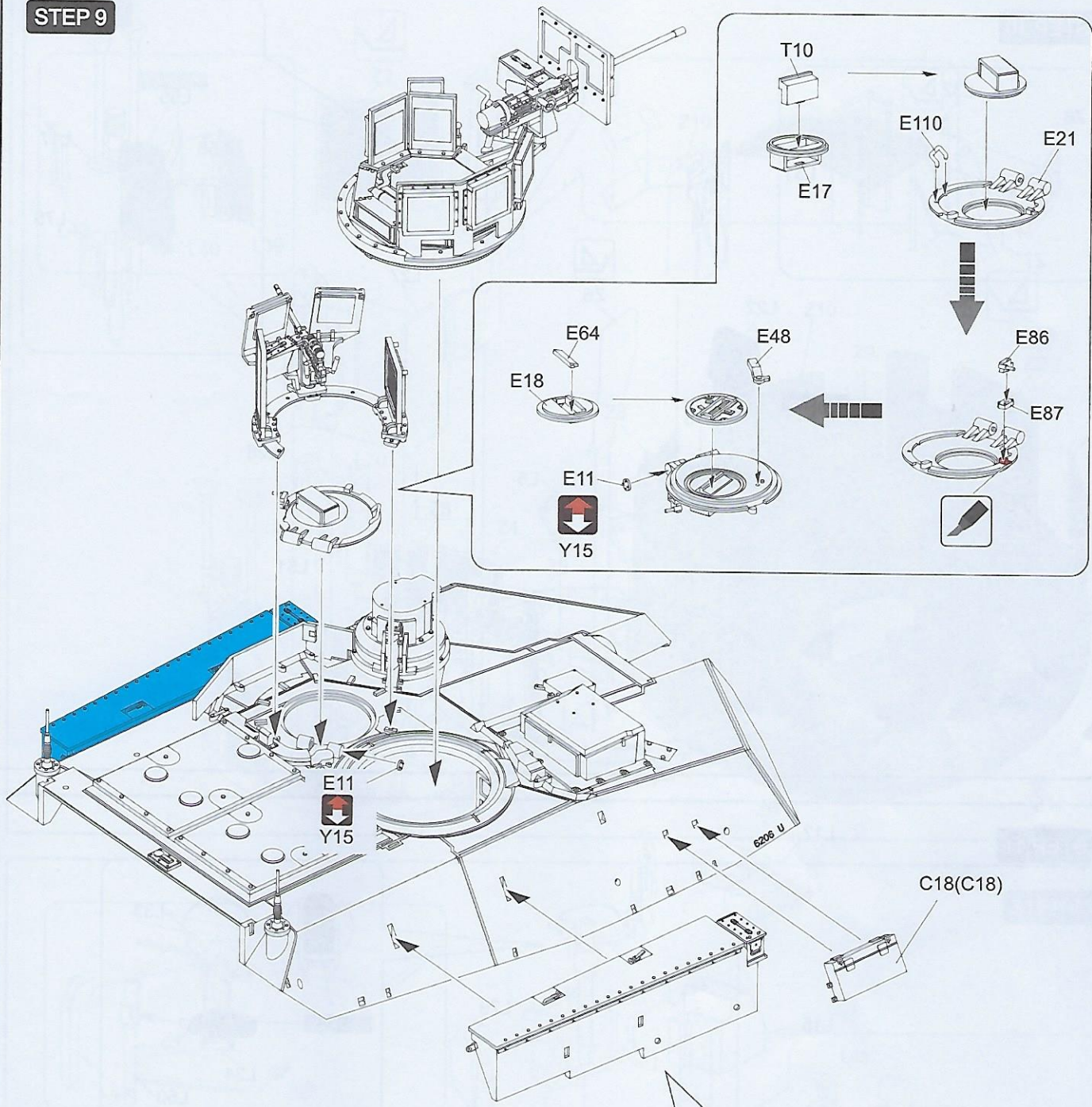
M1A2 TUSK I / TUSK II Turret Assembly - M1A2 TUSK I / TUSK II 炮塔組合



STEP 8



STEP 9



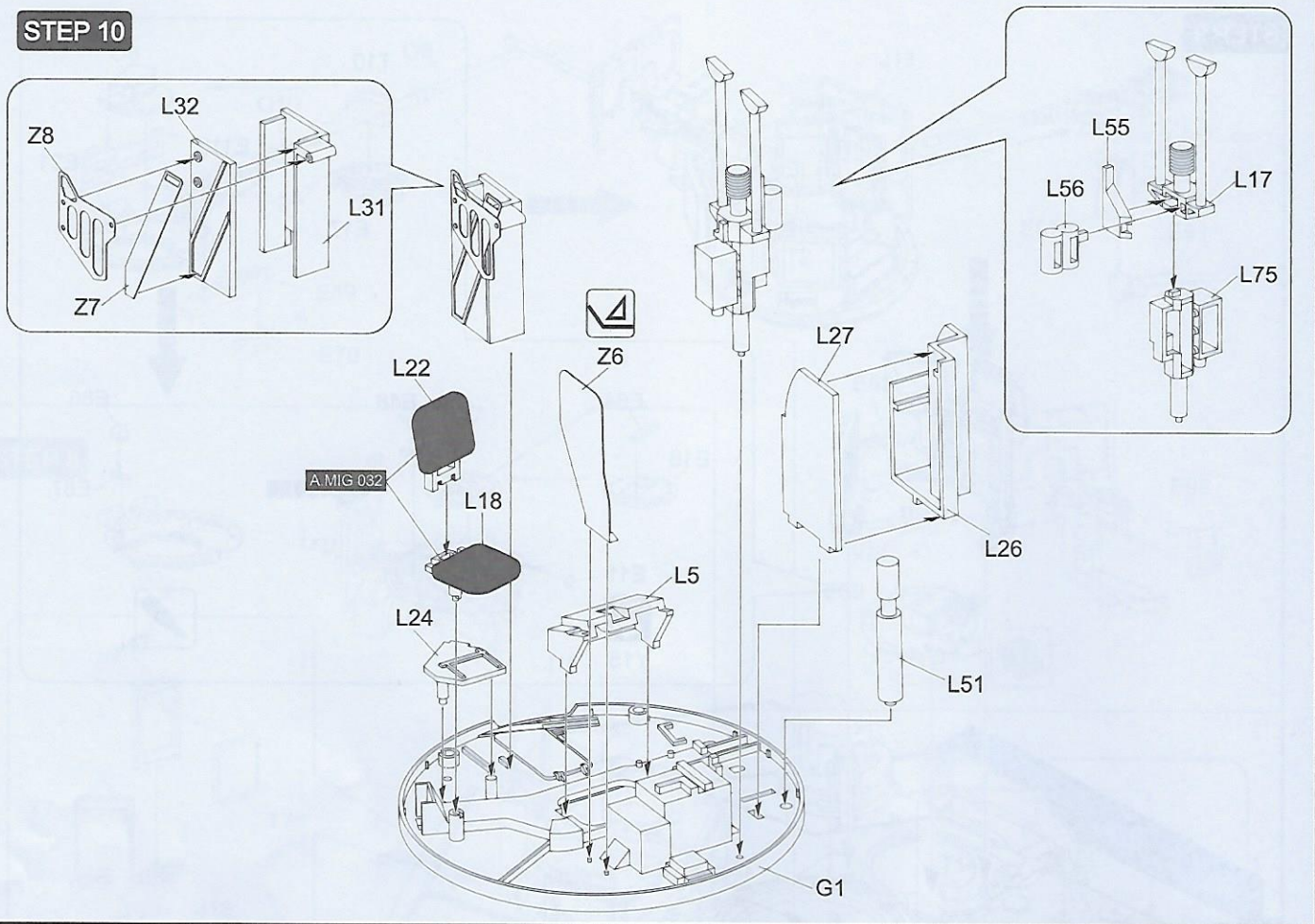
Make 2
制作2组



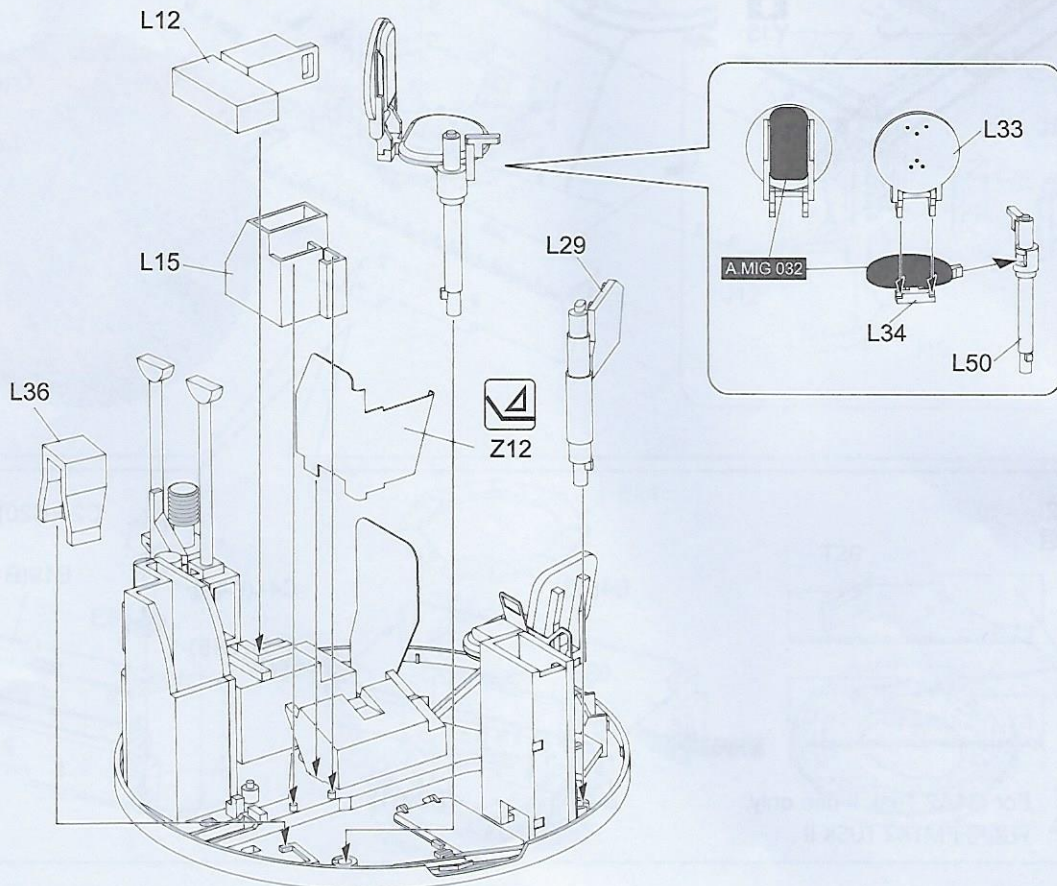
For M1A2 Tusk II use only.
只适用于M1A2 TUSK II.

M1A2 TUSK I / TUSK II Turret Assembly - M1A2 TUSK I / TUSK II 炮塔组合

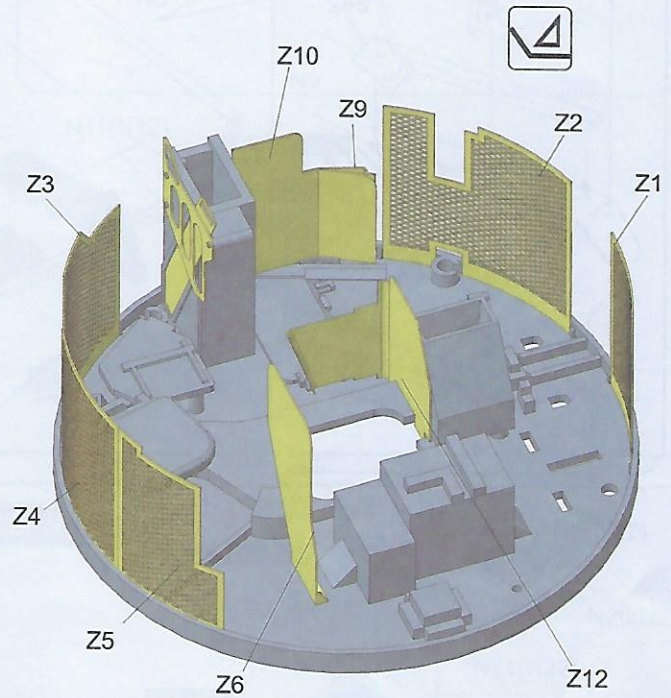
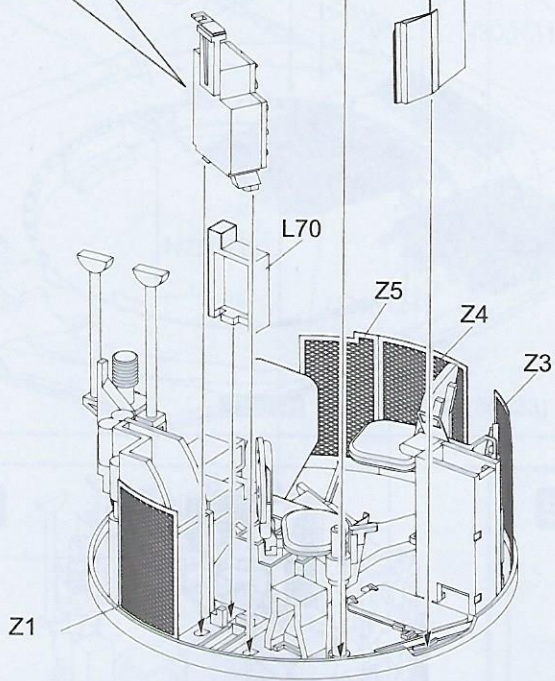
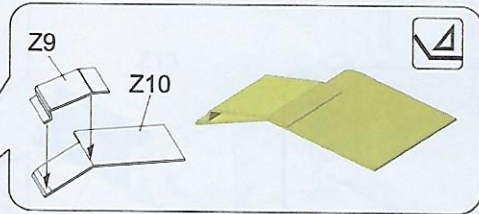
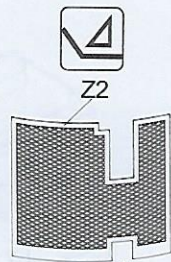
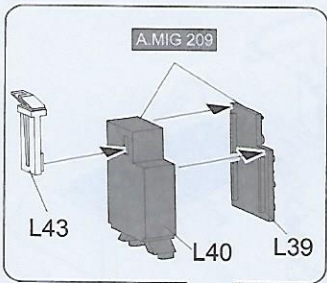
STEP 10



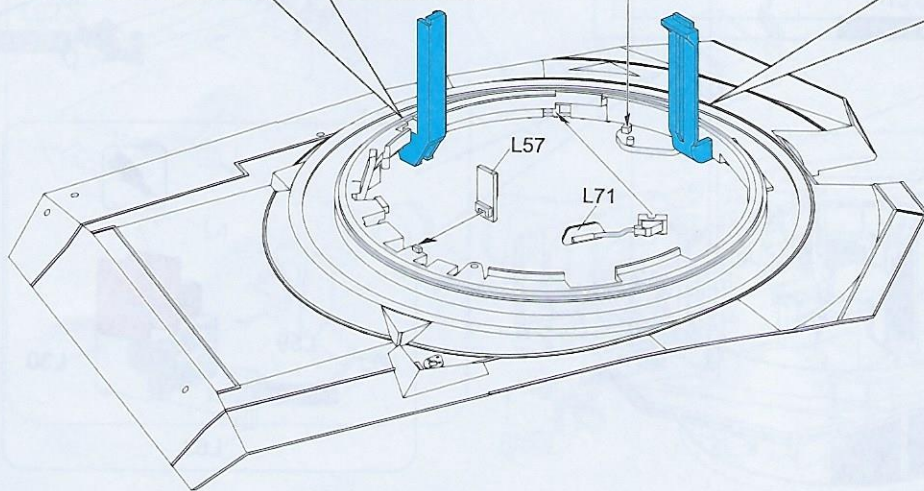
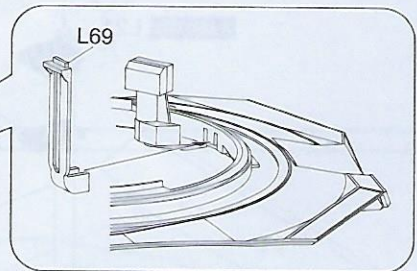
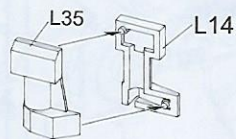
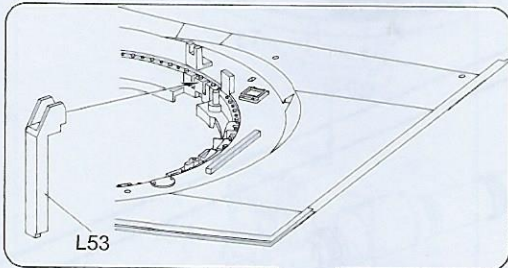
STEP 11



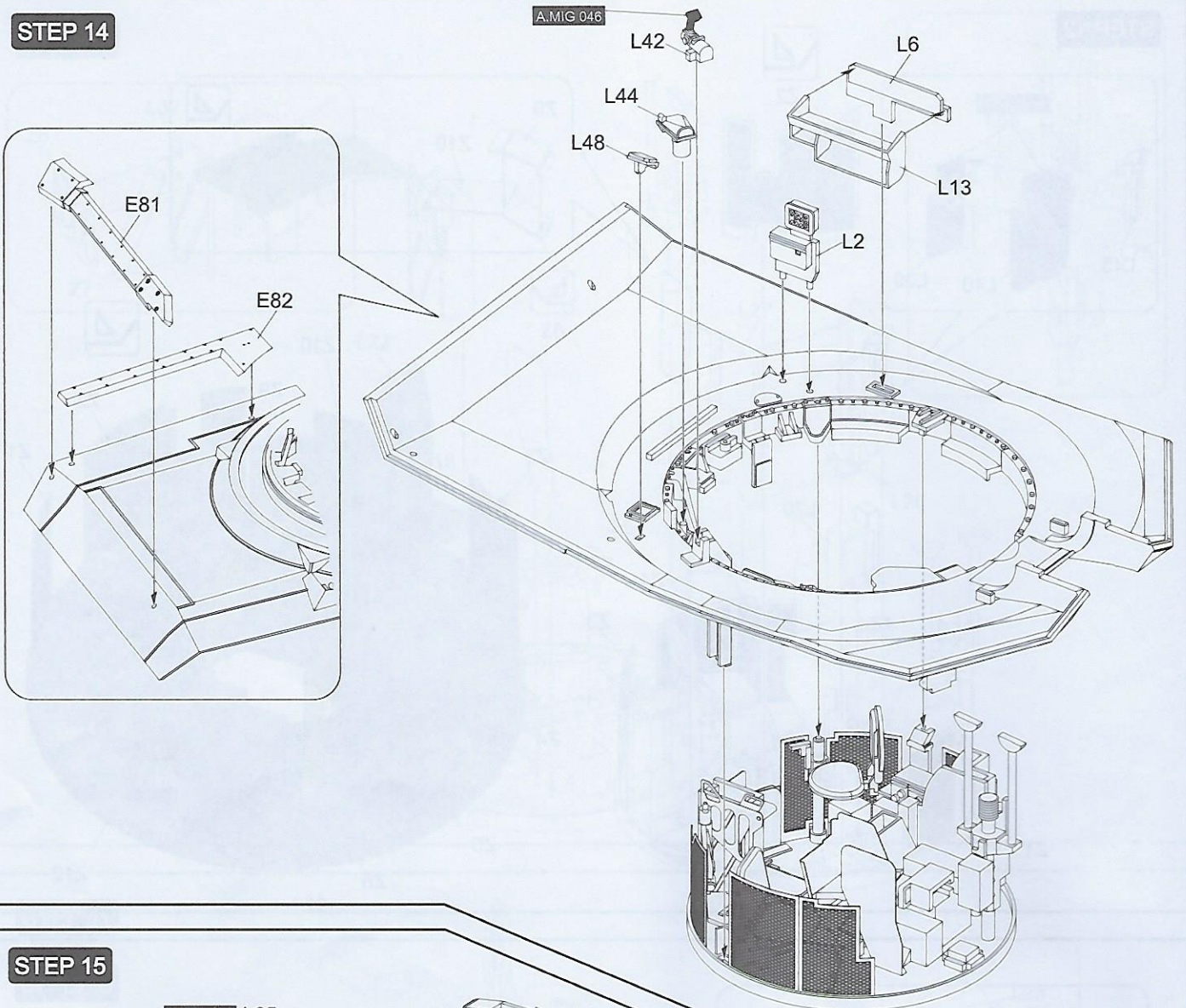
STEP 12



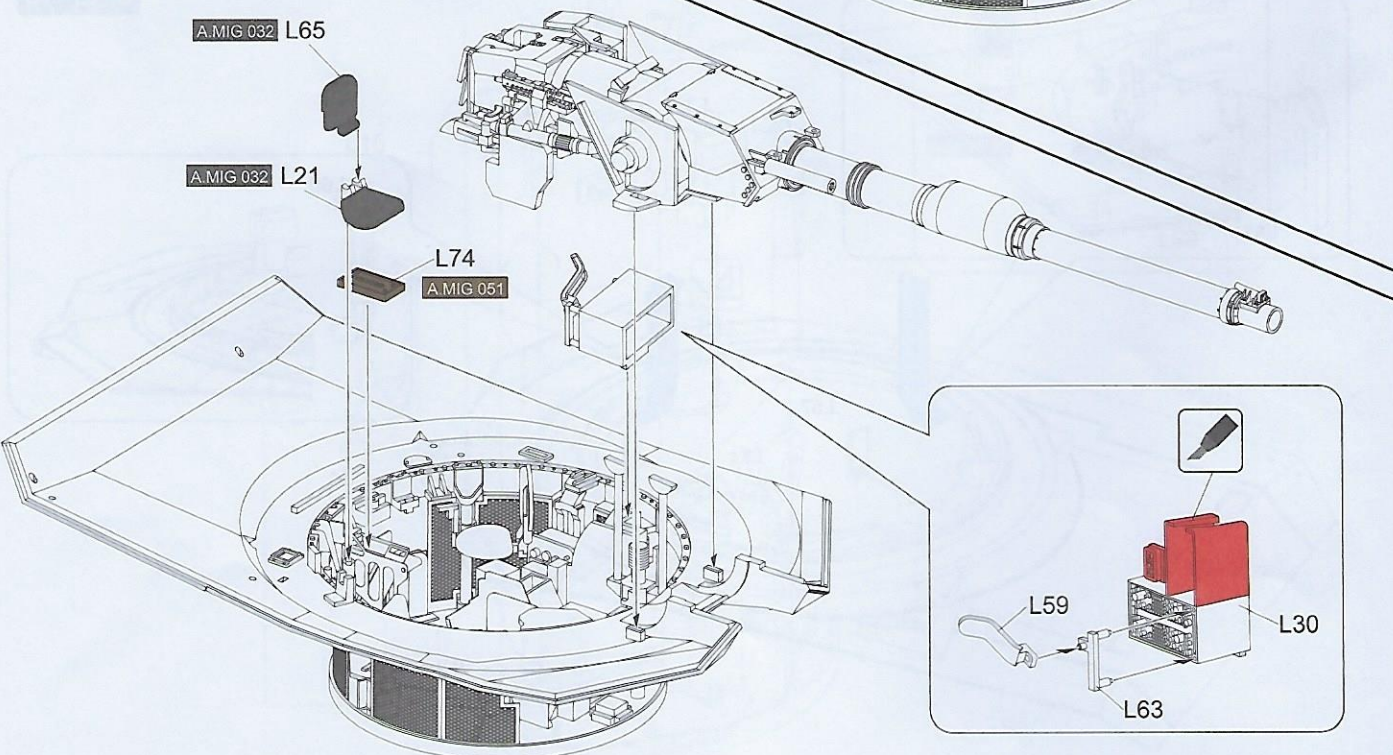
STEP 13



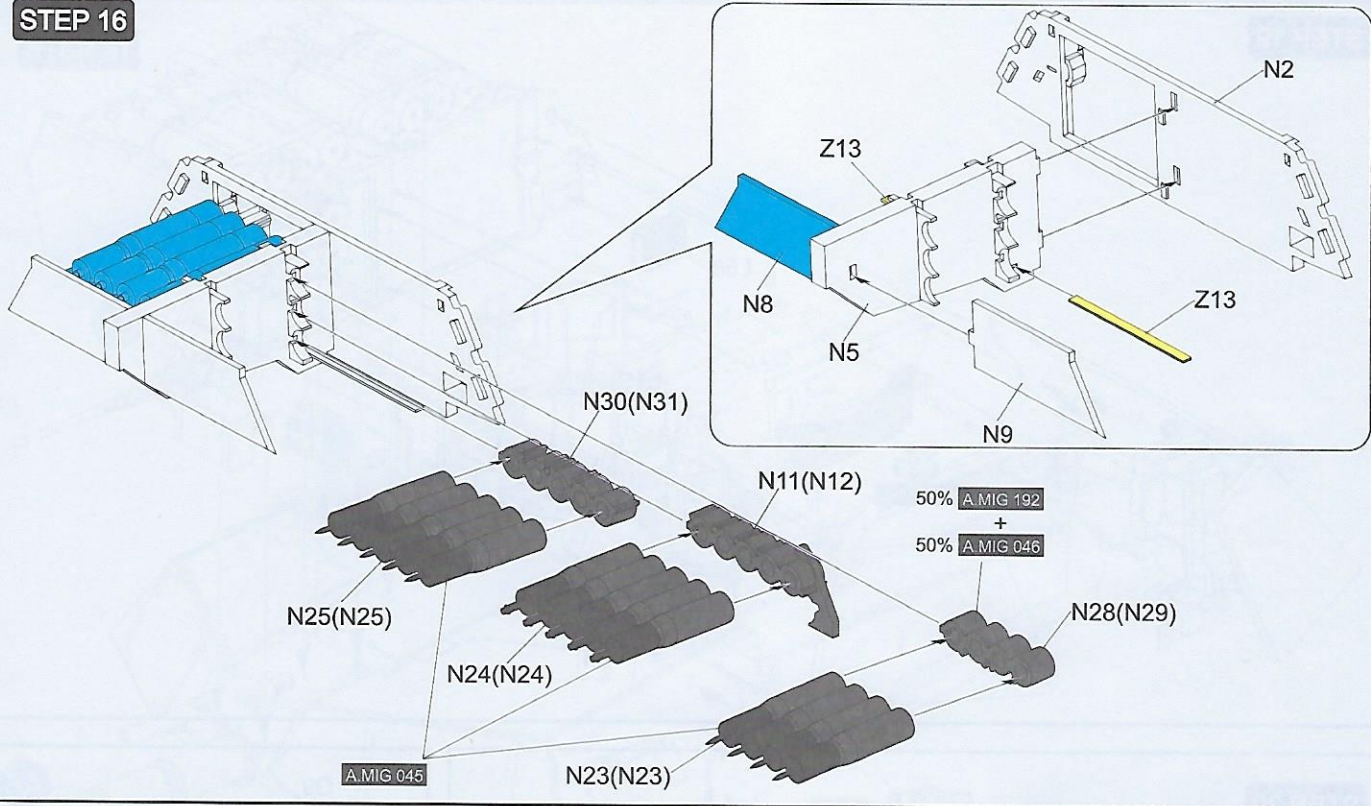
STEP 14



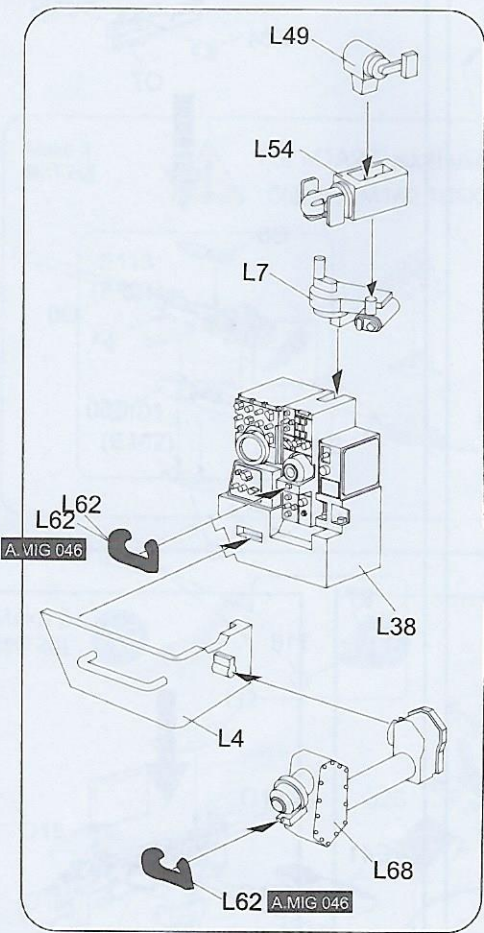
STEP 15



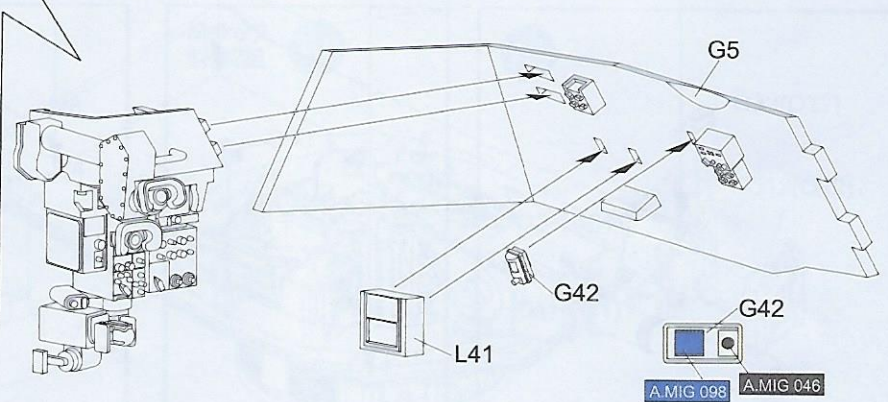
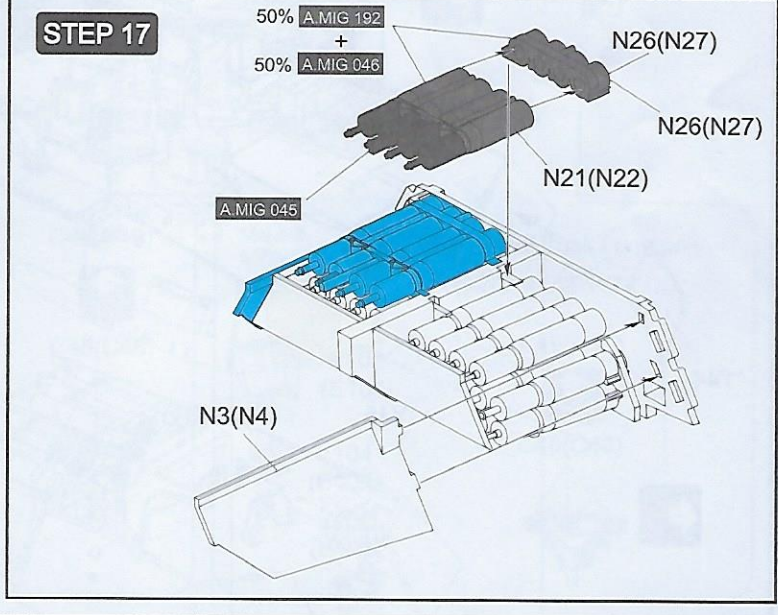
STEP 16



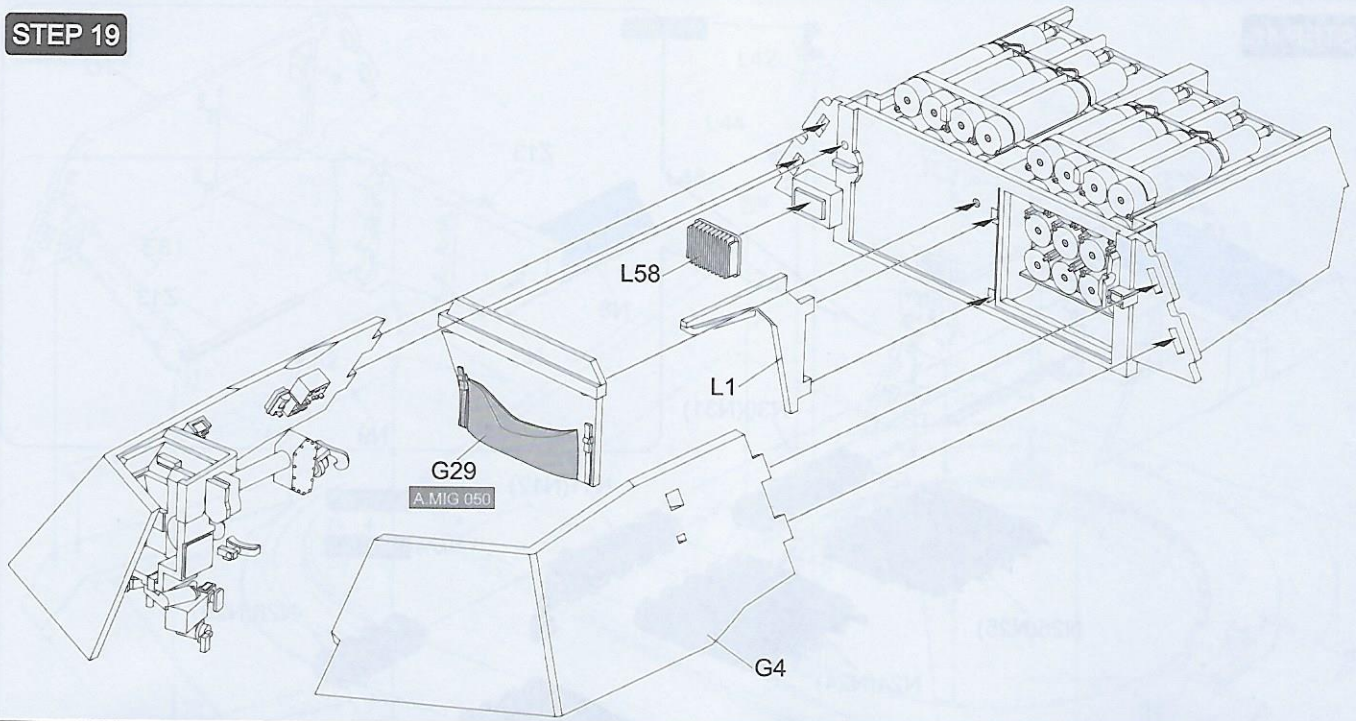
STEP 18



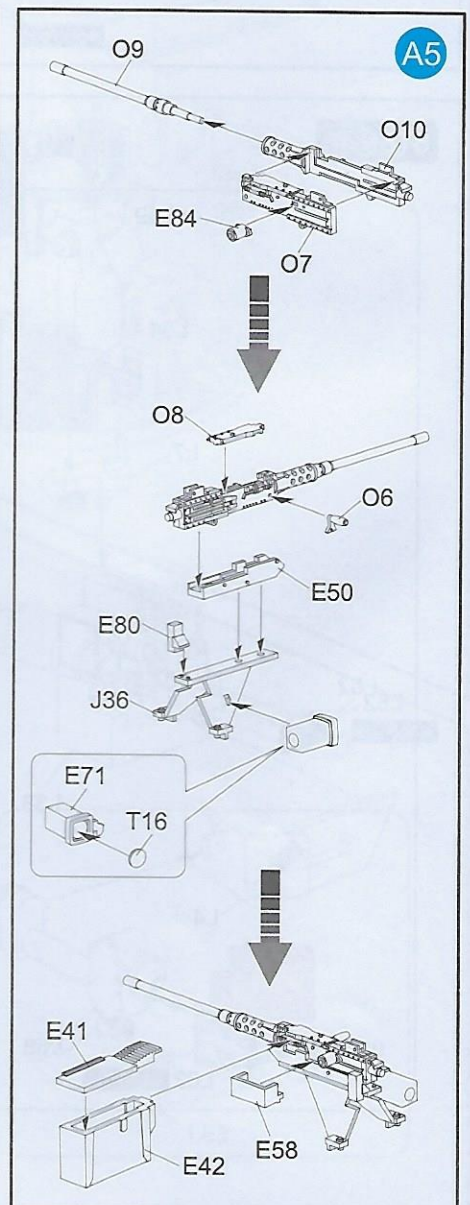
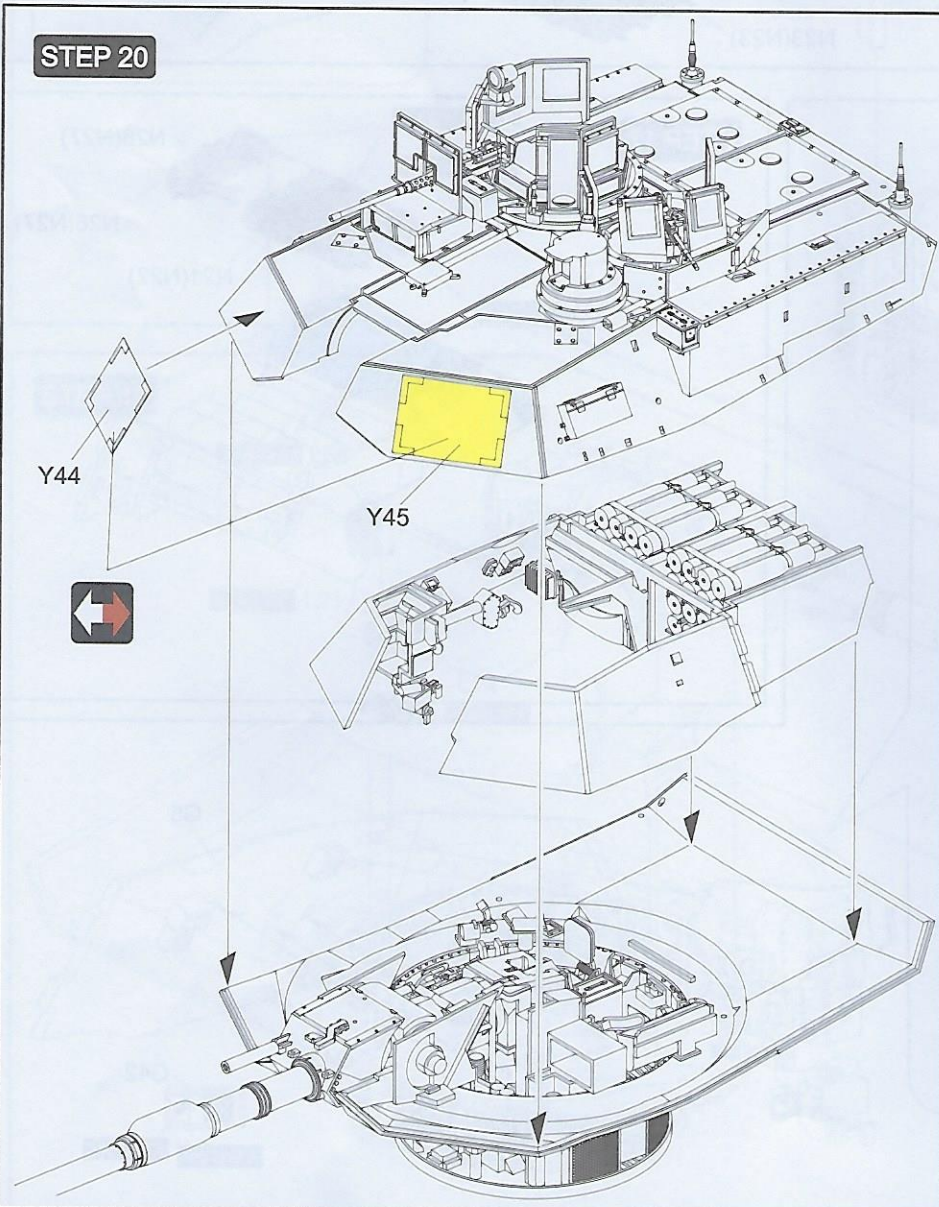
STEP 17



STEP 19

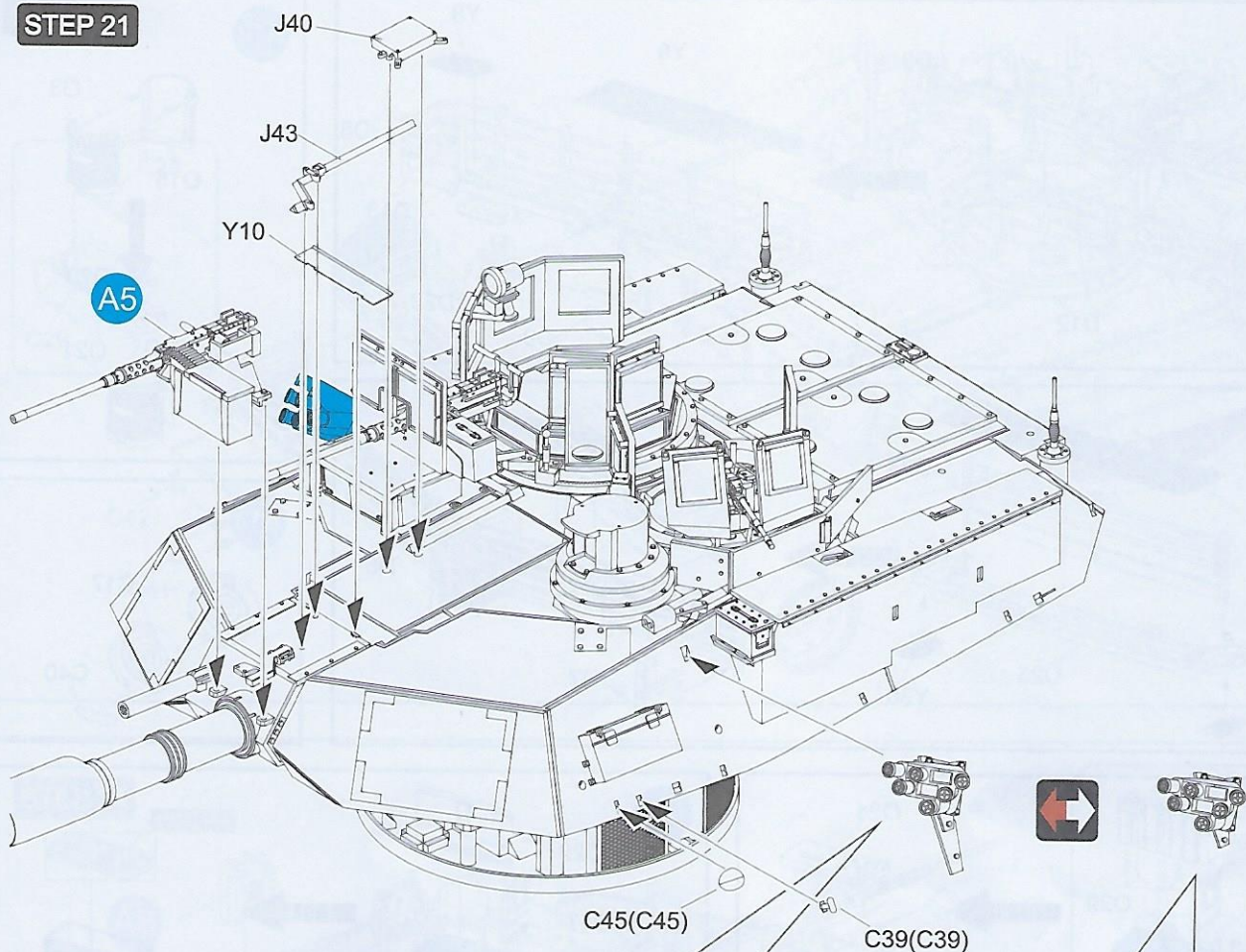


STEP 20



M1A2 TUSK I / TUSK II Turret Assembly - M1A2 TUSK I/ TUSK II 炮塔组合

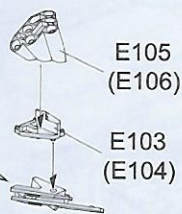
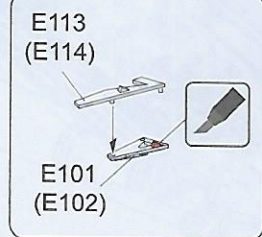
STEP 21



Make 2
制作2组



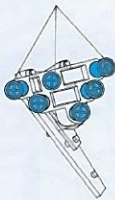
For M1A2 Tusk II use only.
仅适用于 M1A2 TUSK II



C49(C49)



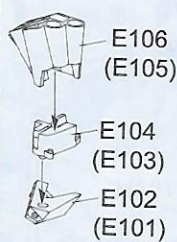
C48(C48)



Make 2
制作2组



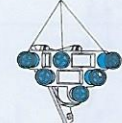
For M1A2 Tusk I use only.
仅适用于 M1A2 TUSK I



C49(C49)

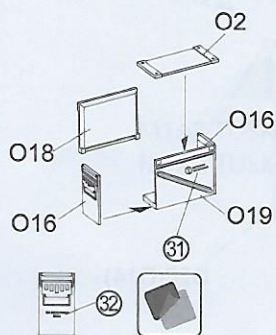


C48(C48)

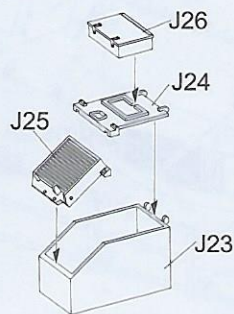


Make 2
制作2组

A6

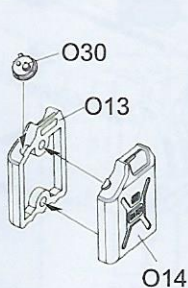


A7

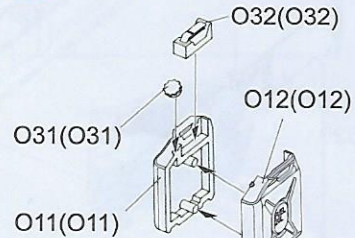


Make 2
制作2组

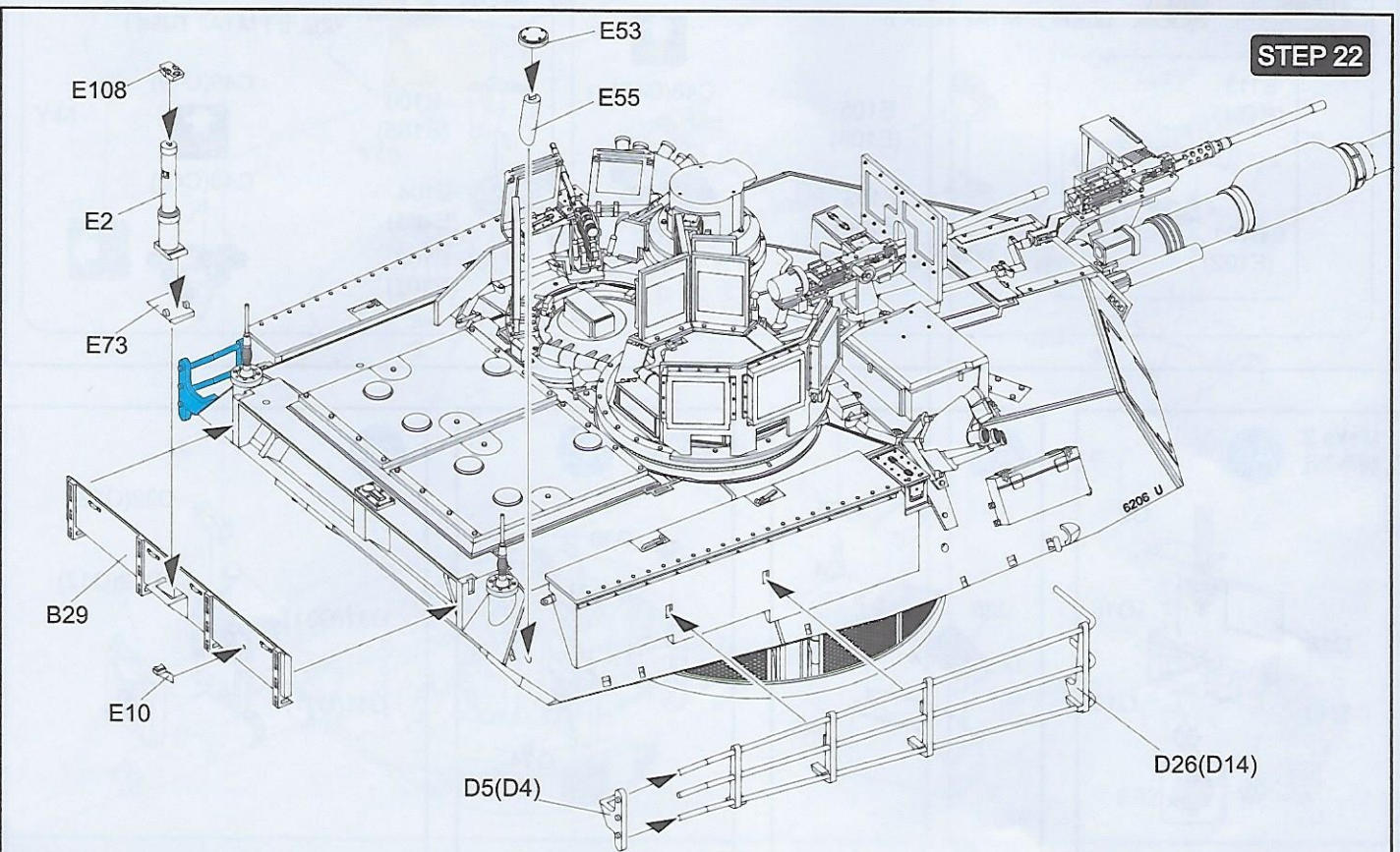
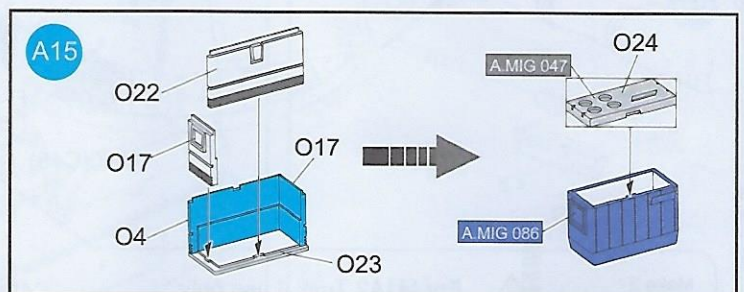
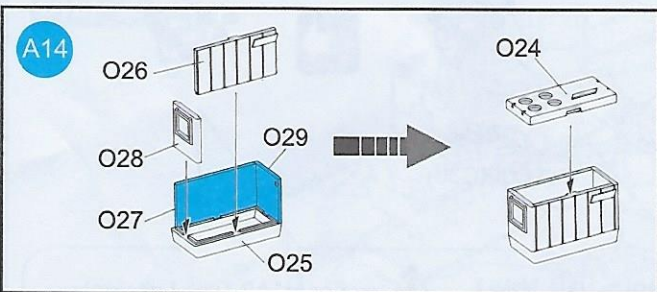
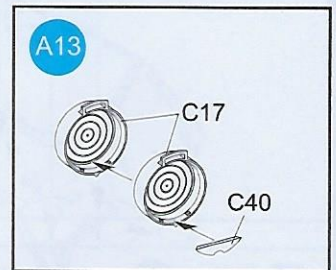
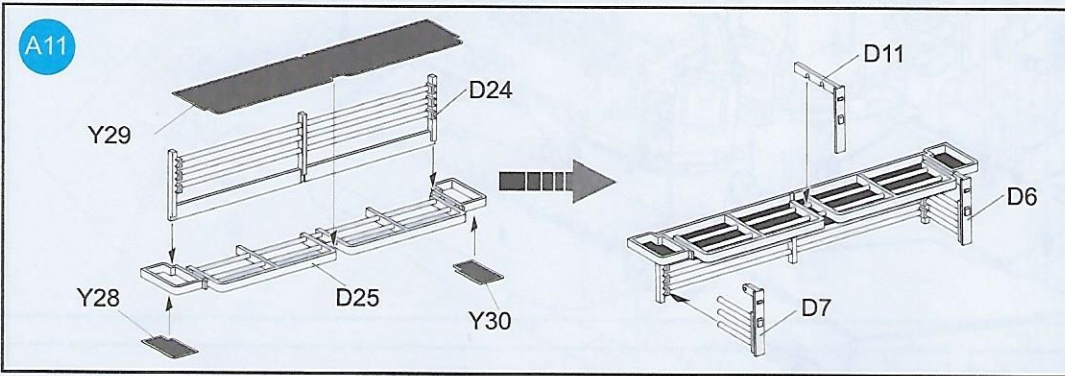
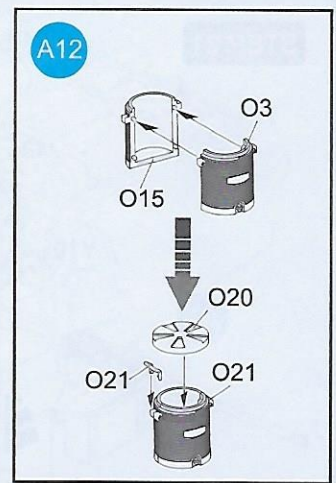
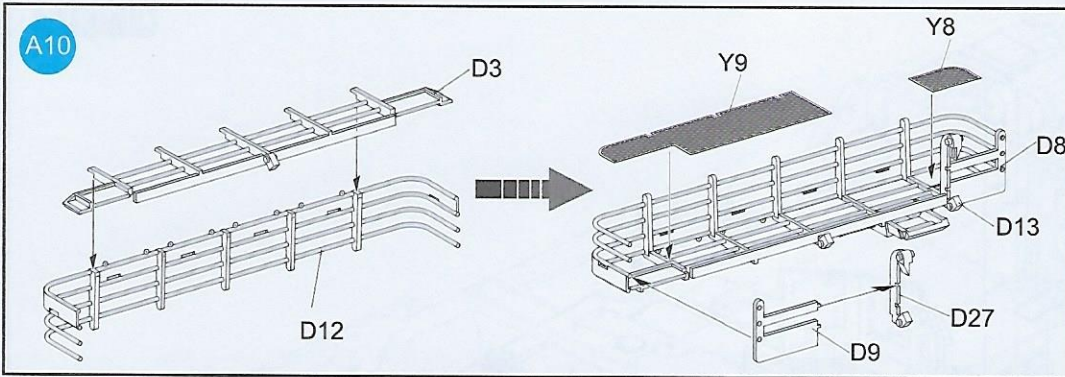
A8



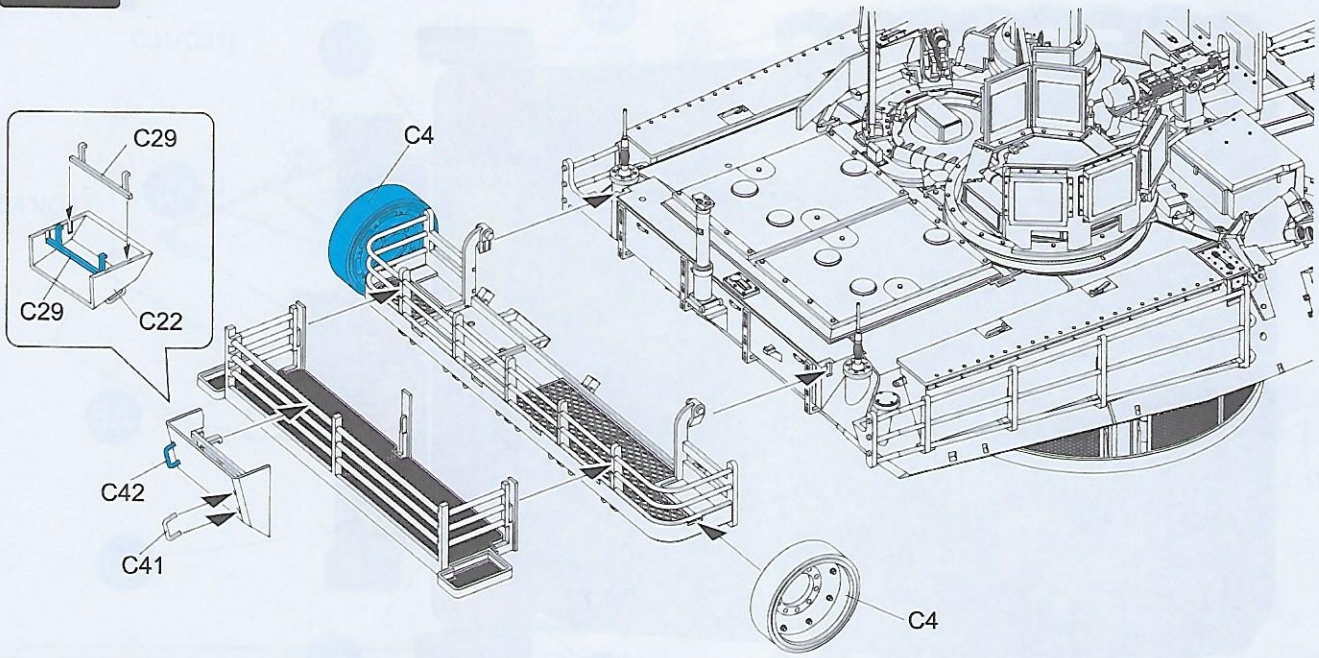
A9



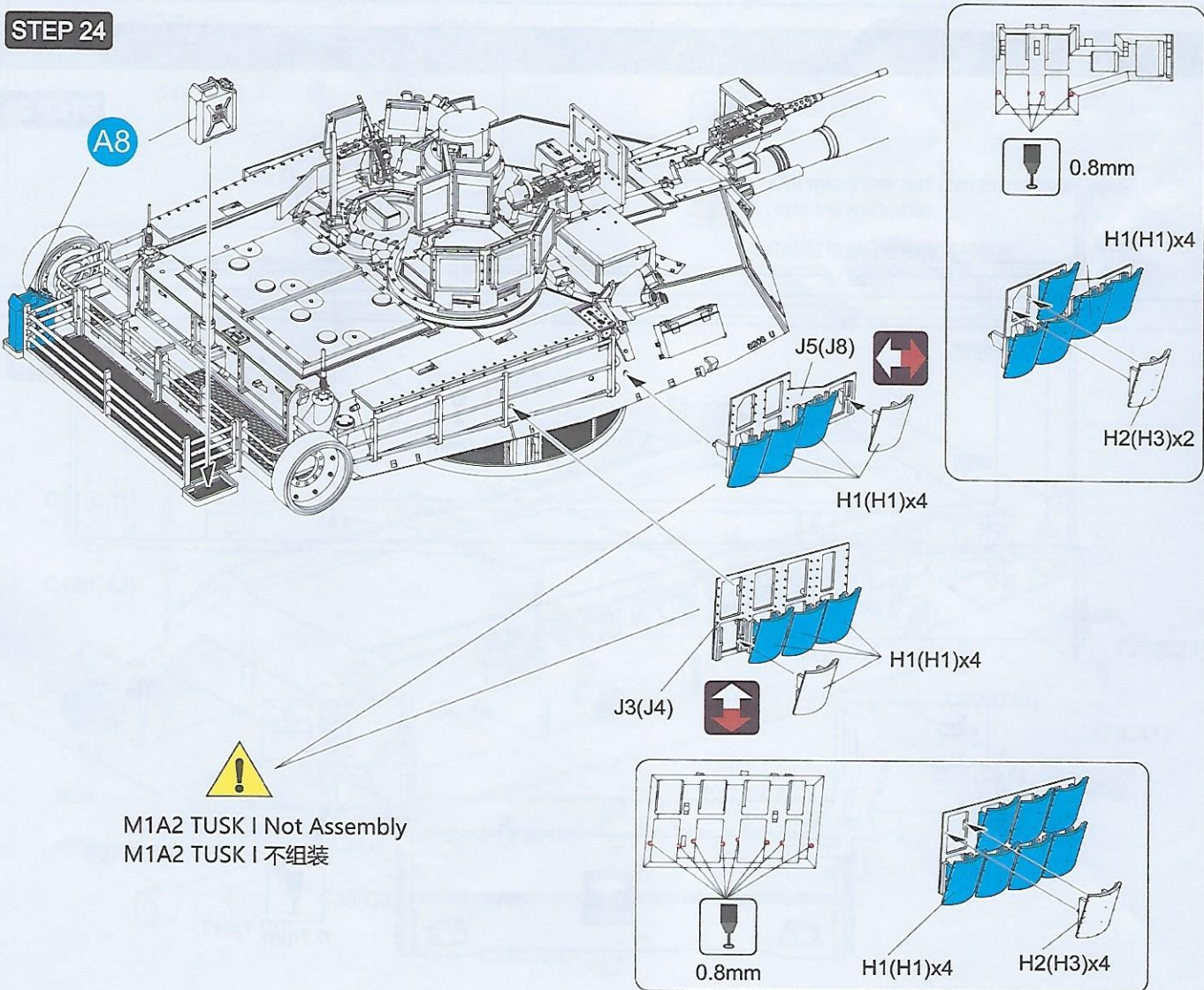
M1A2 TUSK I / TUSK II Turret Assembly - M1A2 TUSK I / TUSK II 炮塔组合



STEP 23

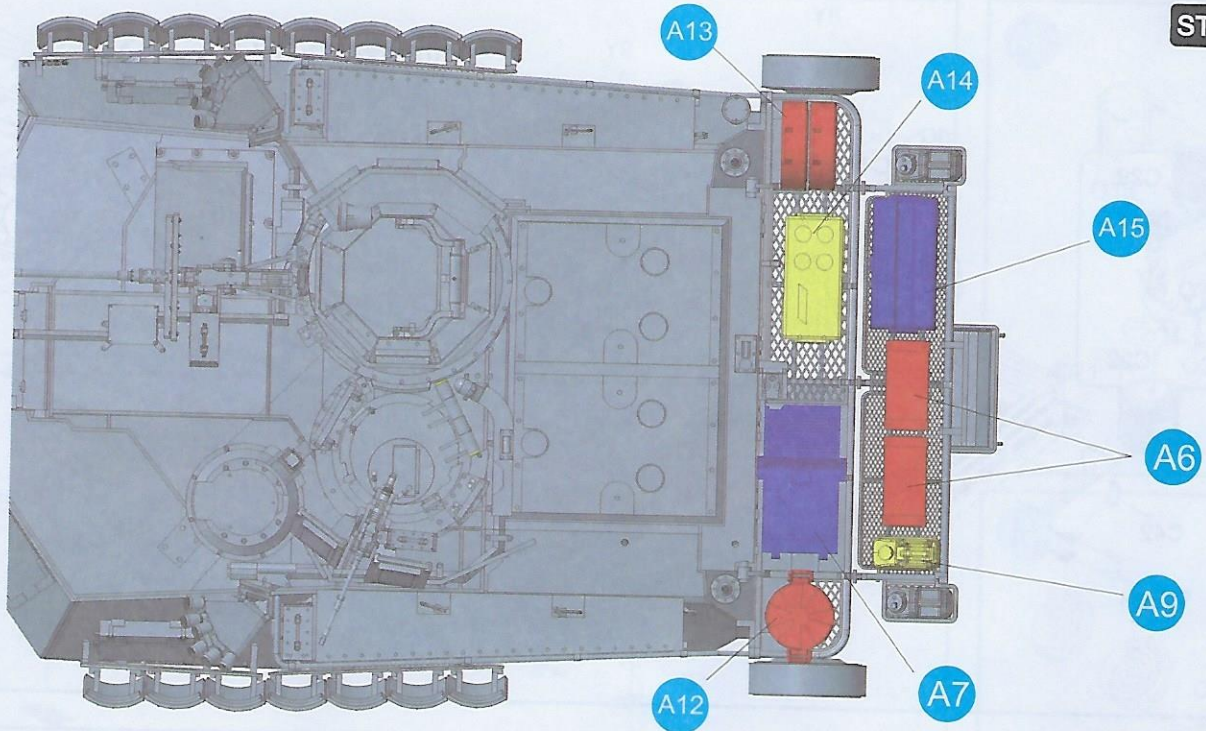


STEP 24



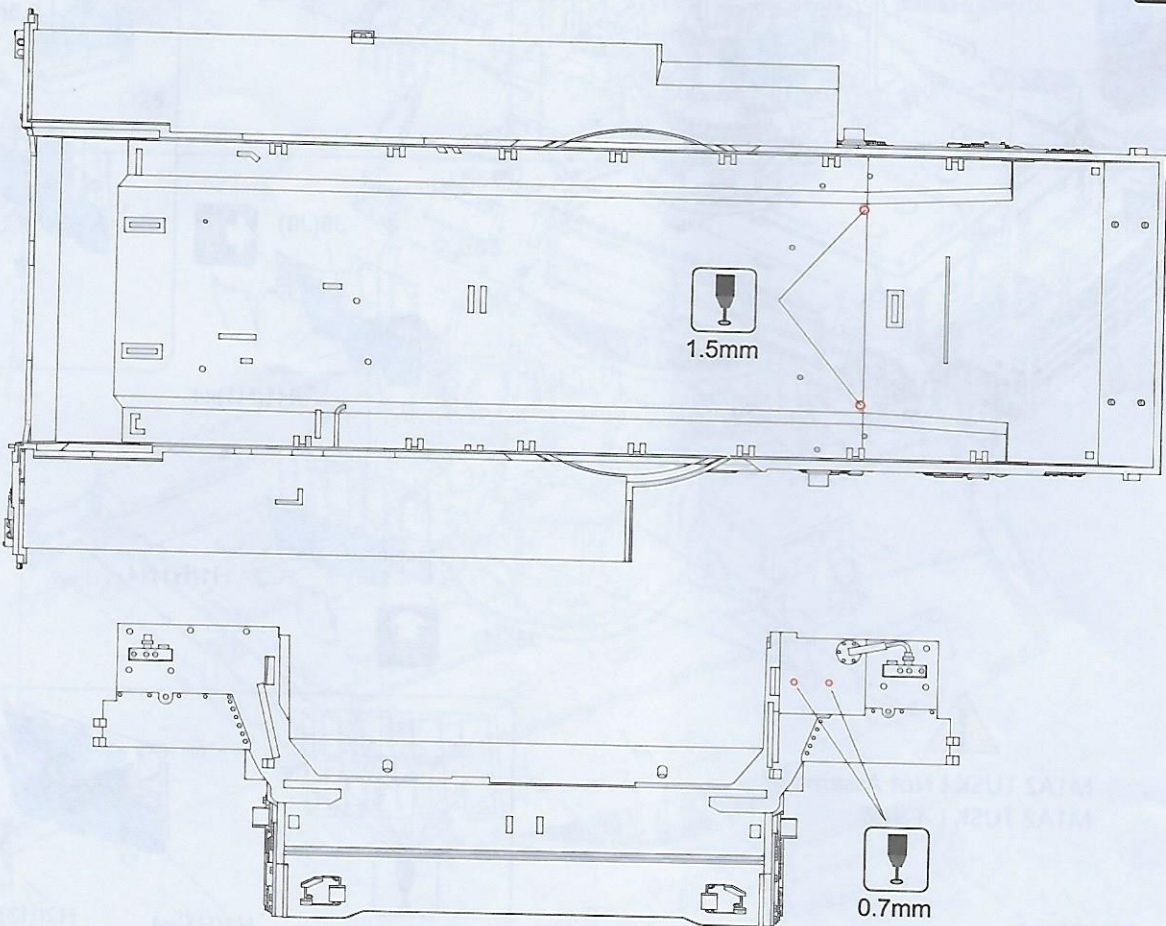
M1A2 TUSK I / TUSK II Turret Assembly - M1A2 TUSK I / TUSK II 炮塔组合

STEP 25

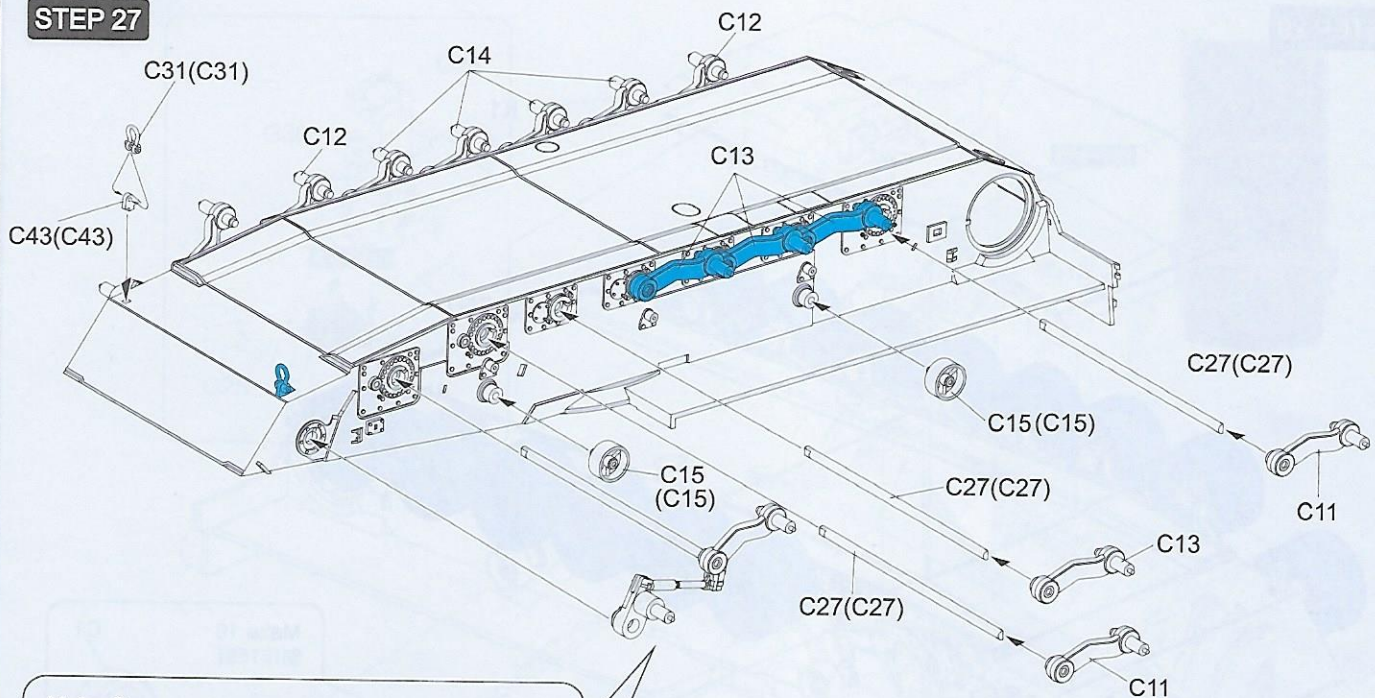


M1A2 TUSK I / TUSK II Body Assembly - M1A2 TUSK I / TUSK II 车体组合

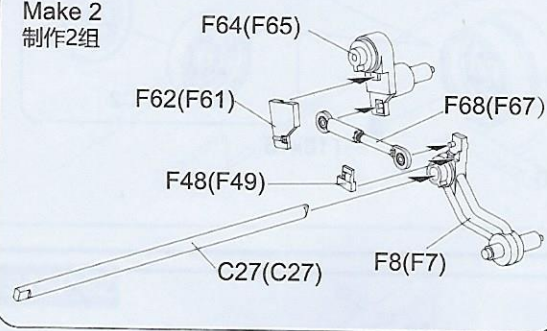
STEP 26



STEP 27



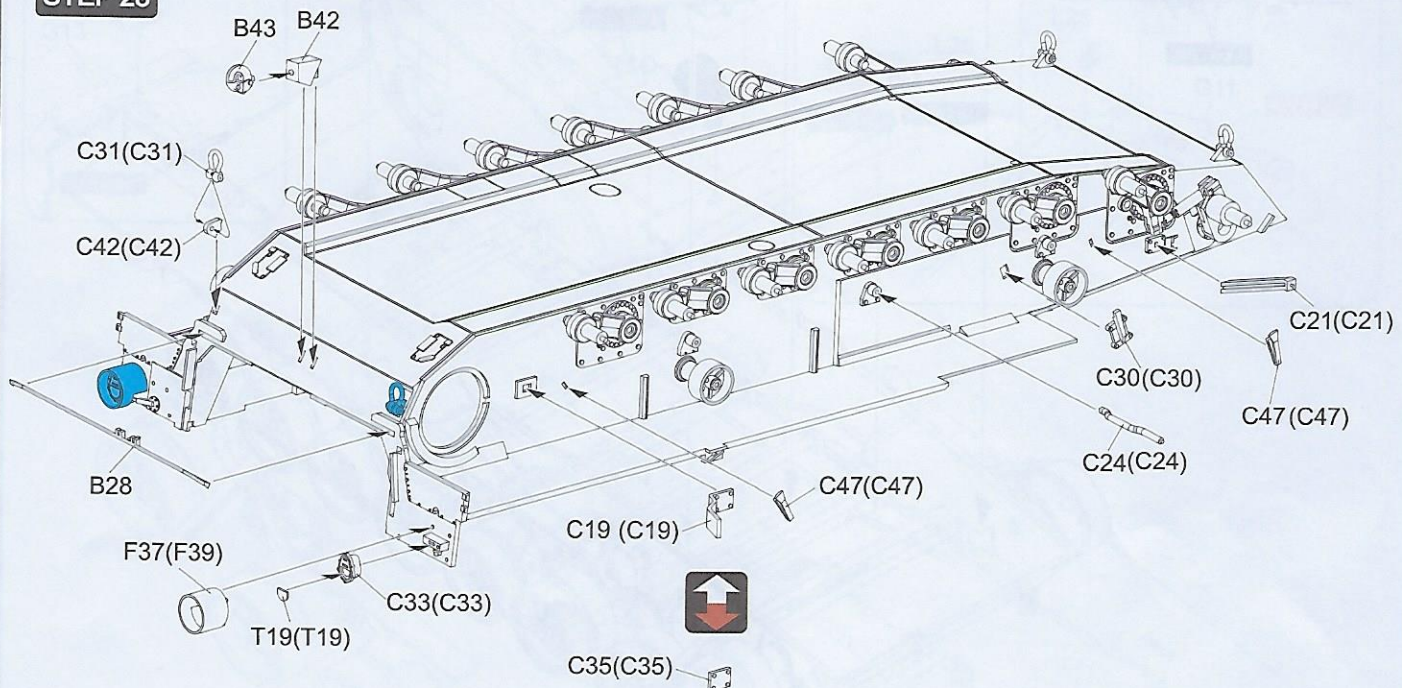
Make 2
制作2组



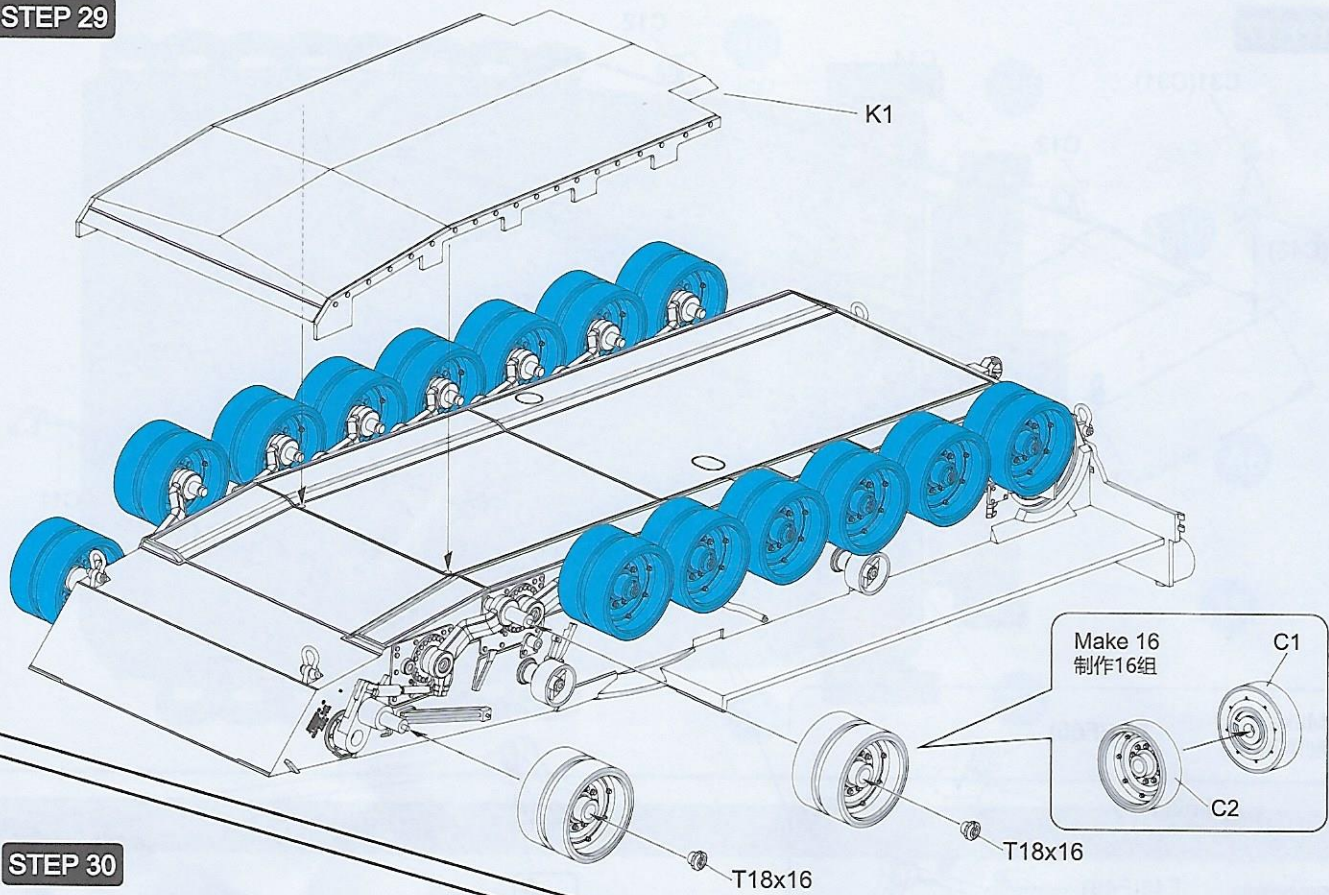
Cut away the red part the torsion bars can be workable

切除红色部分可制作活动悬挂

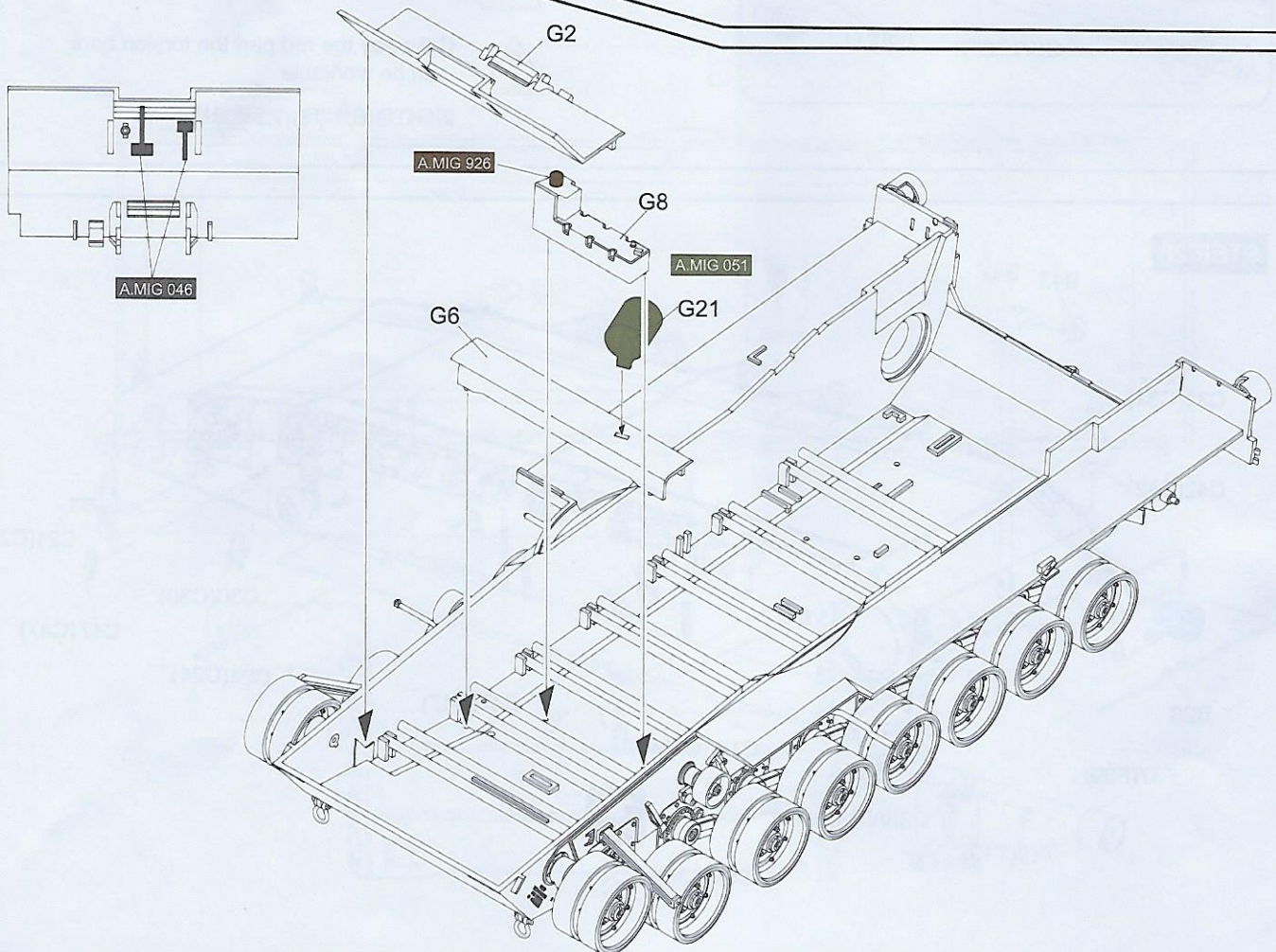
STEP 28



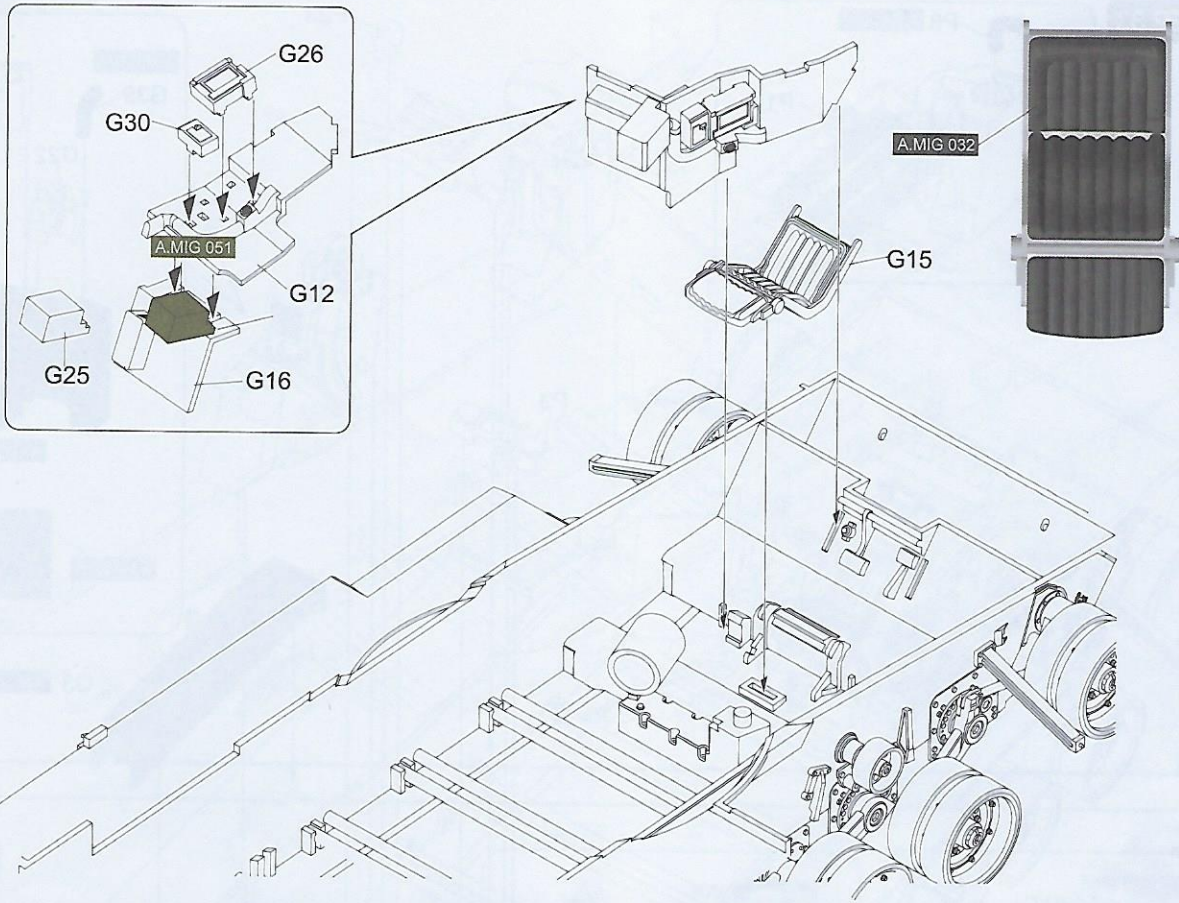
STEP 29



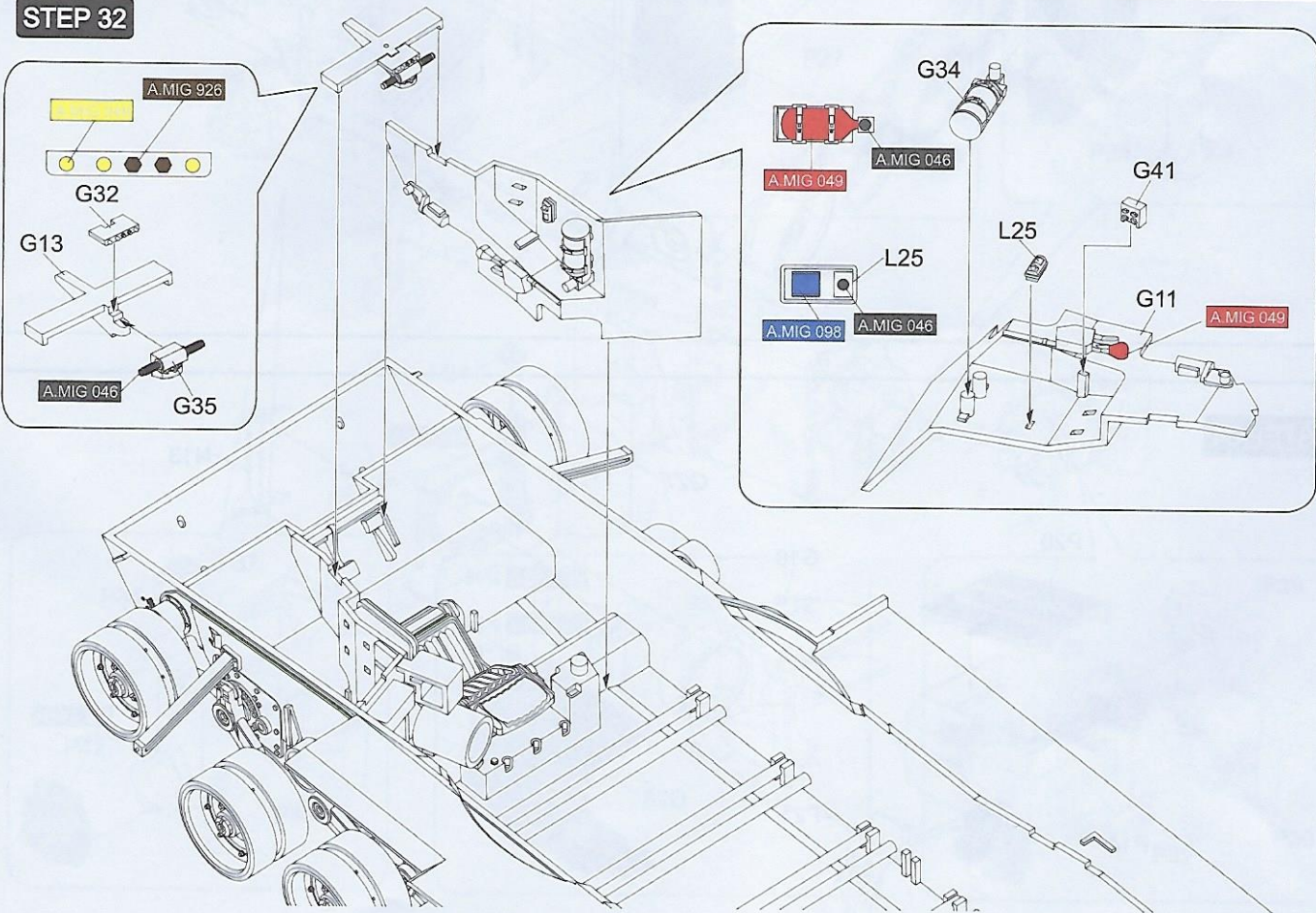
STEP 30



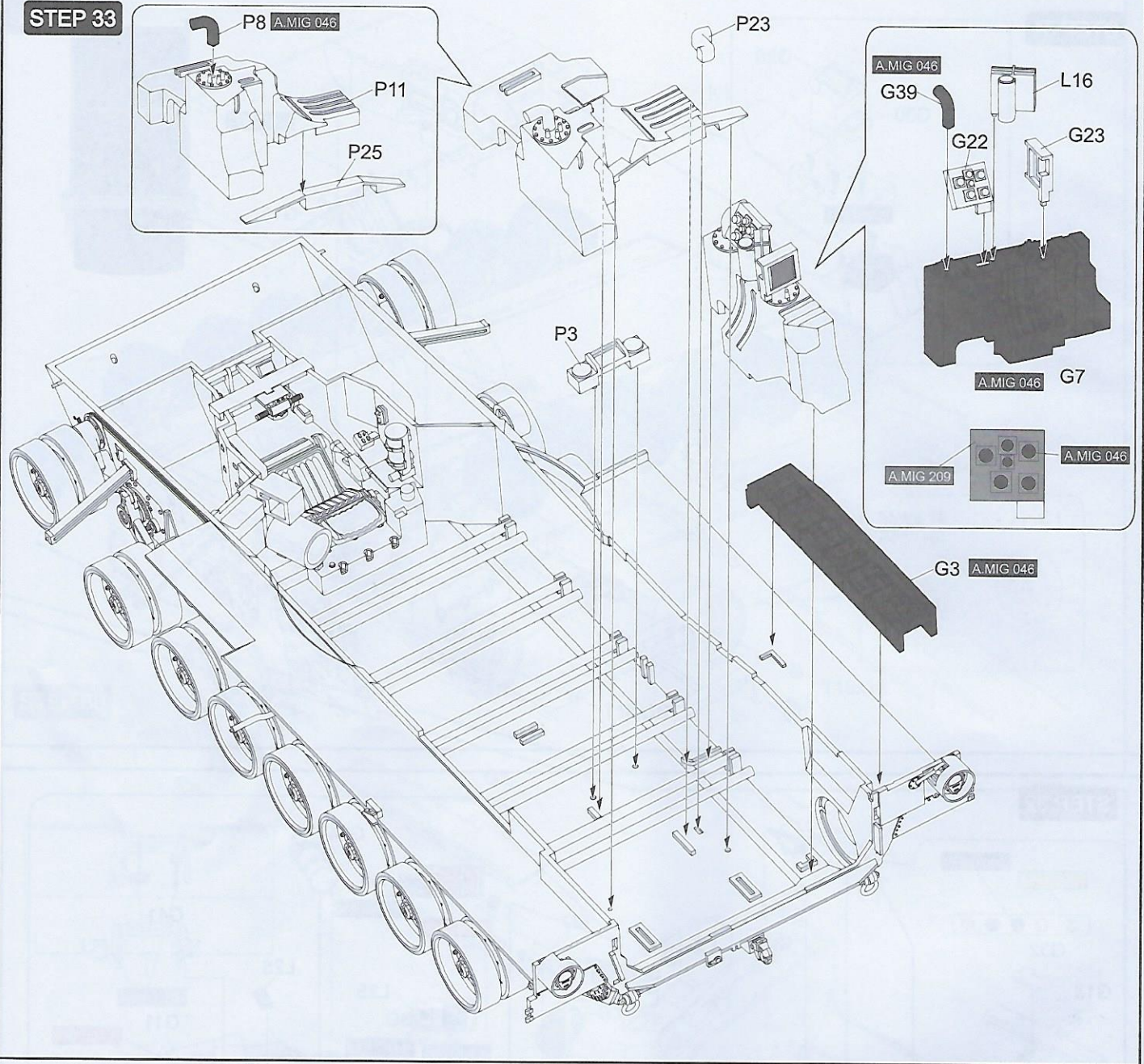
STEP 31



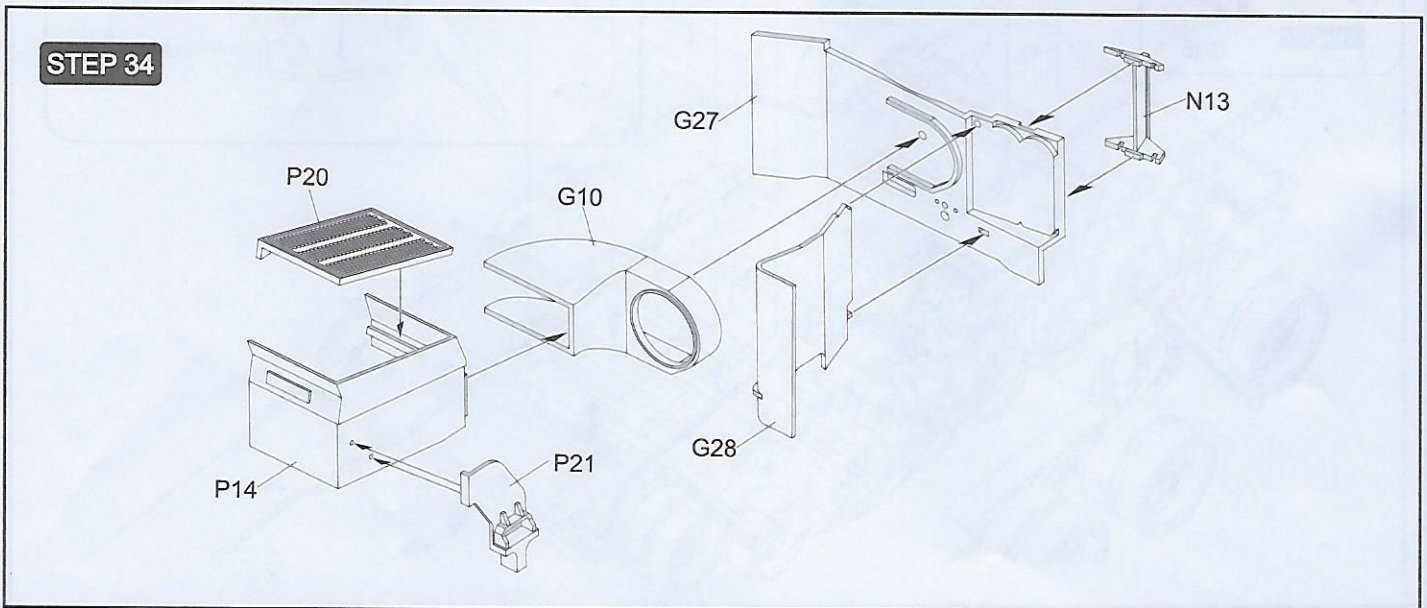
STEP 32



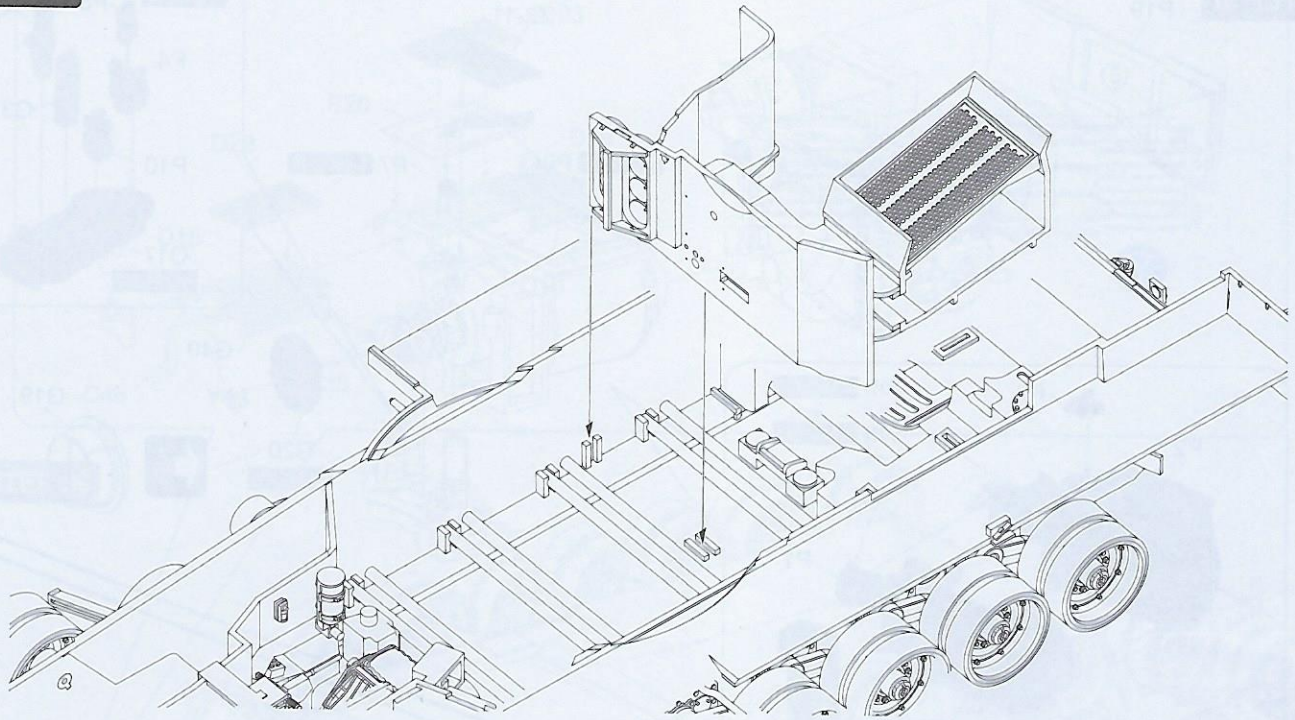
STEP 33



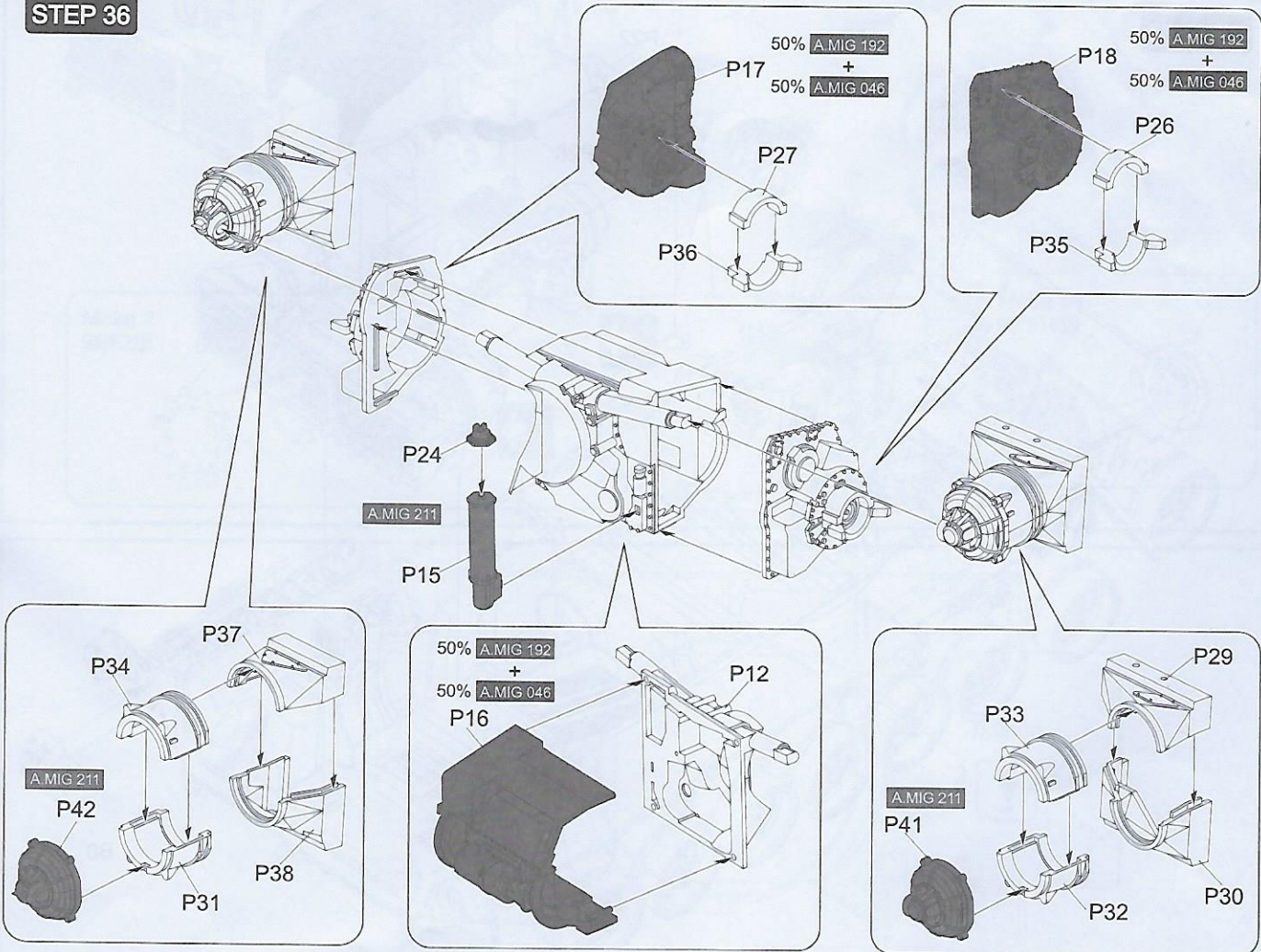
STEP 34



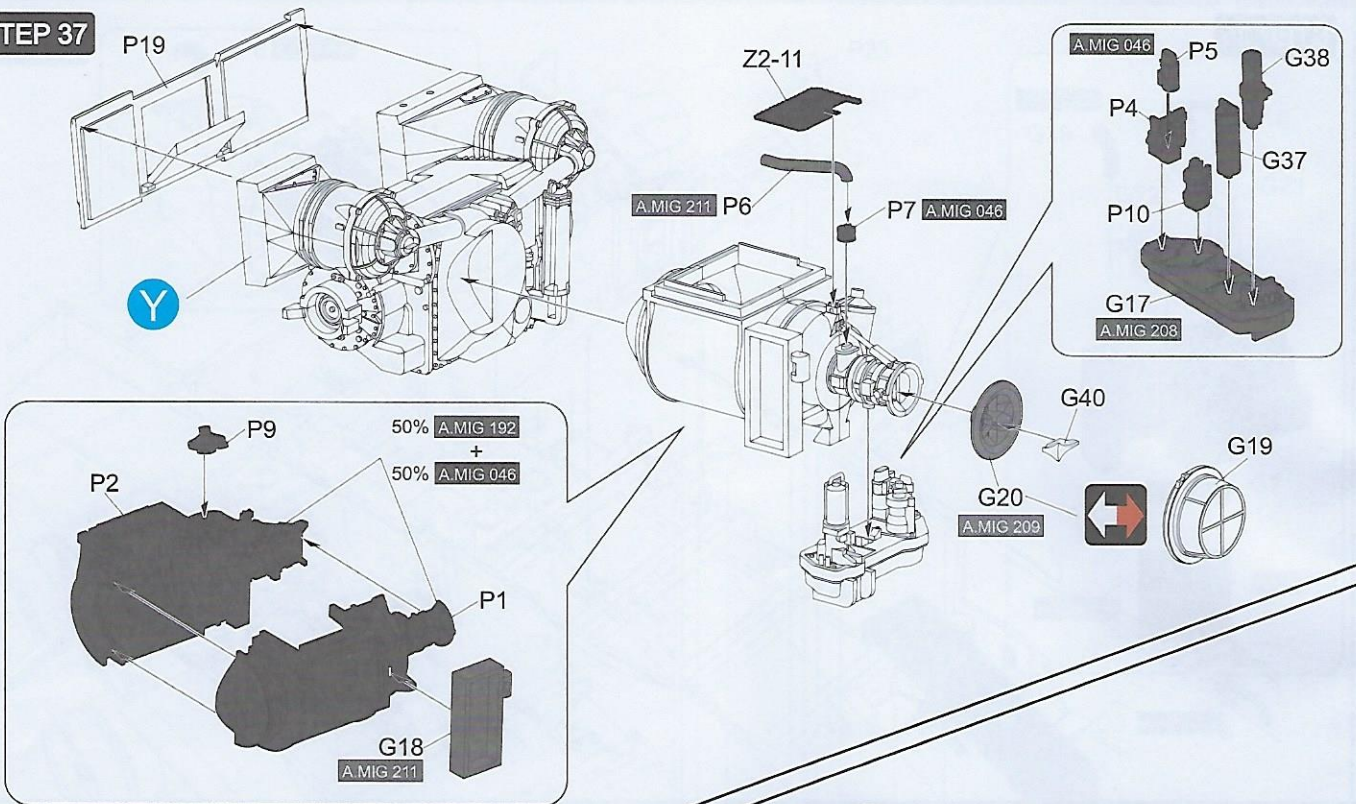
STEP 35



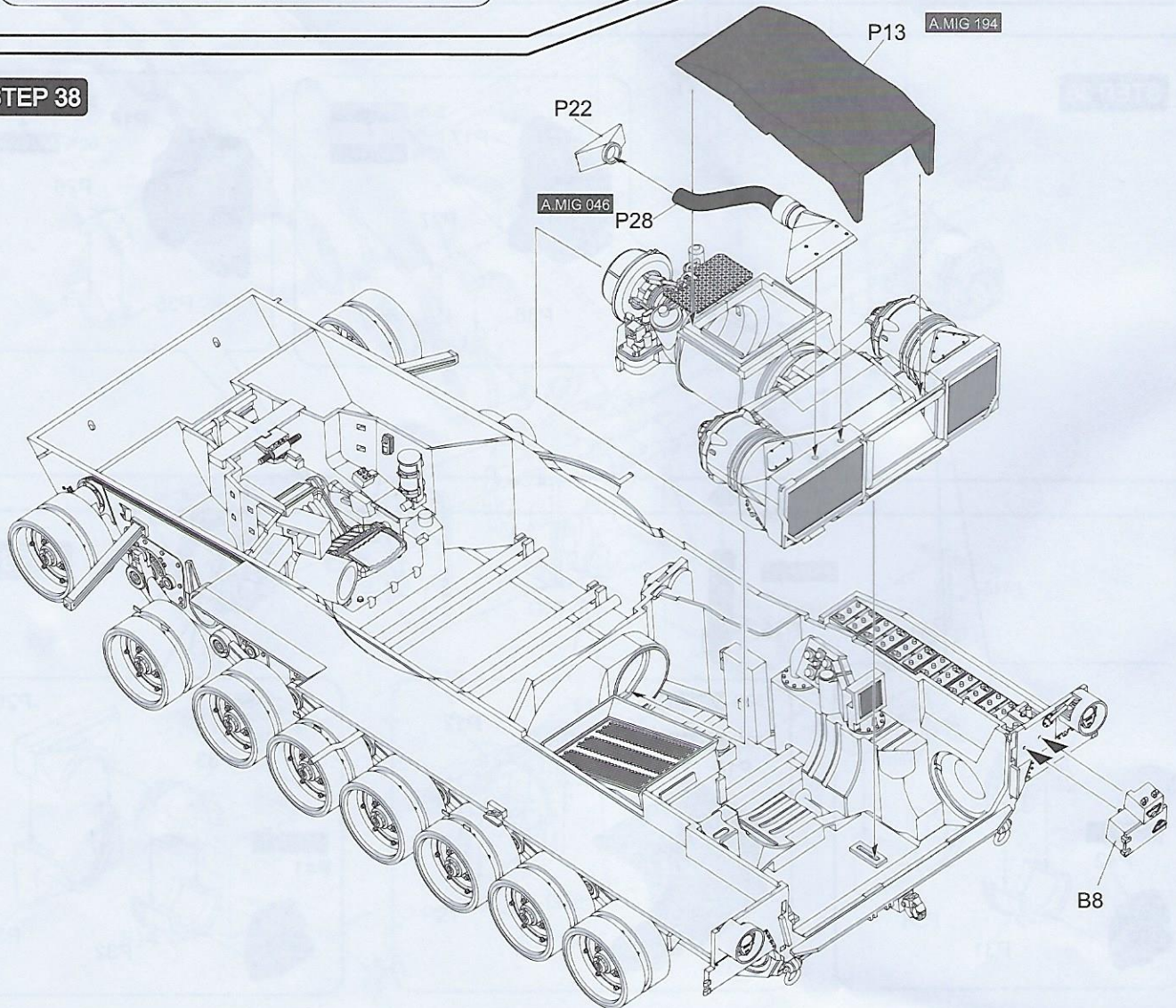
STEP 36

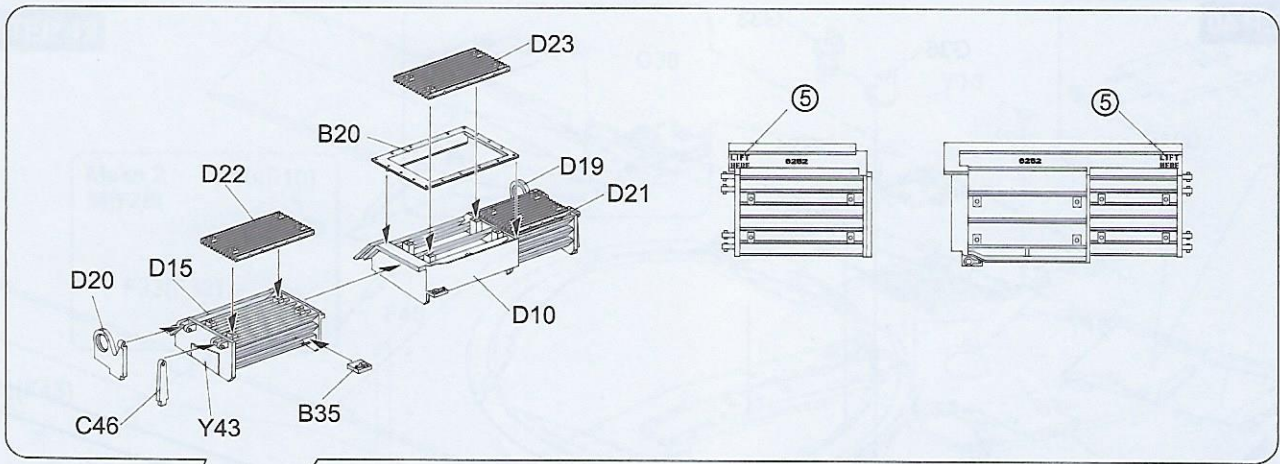


STEP 37

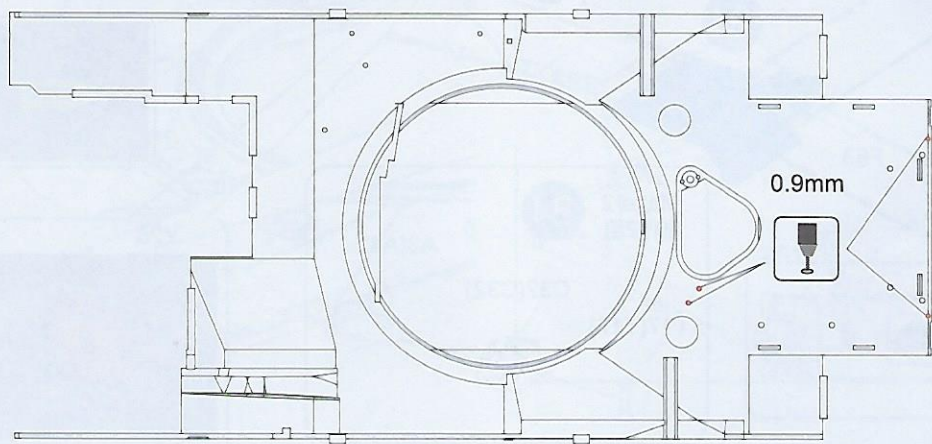
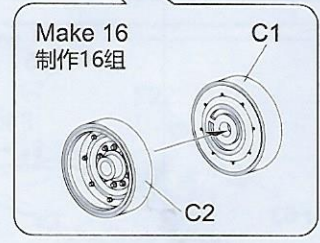
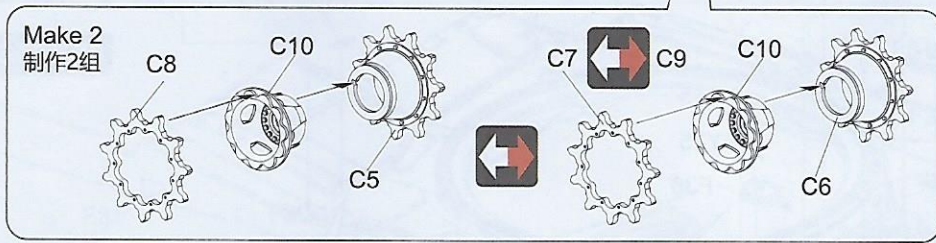
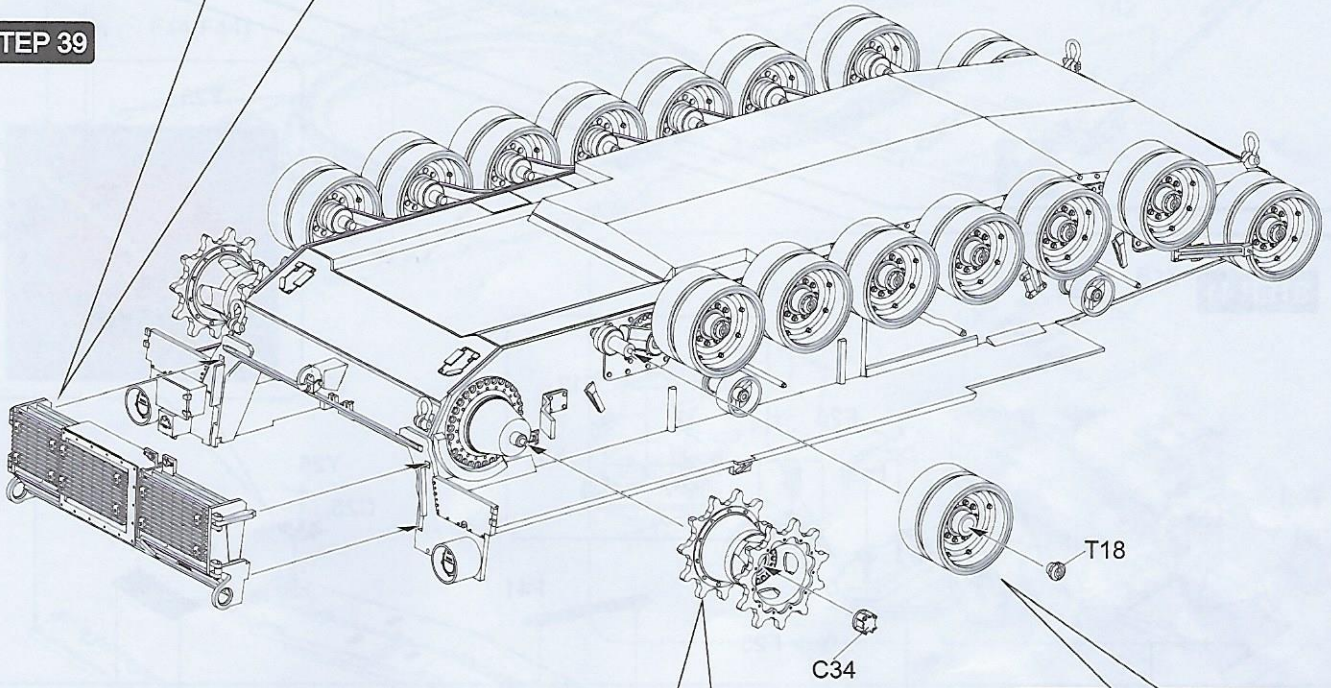


STEP 38

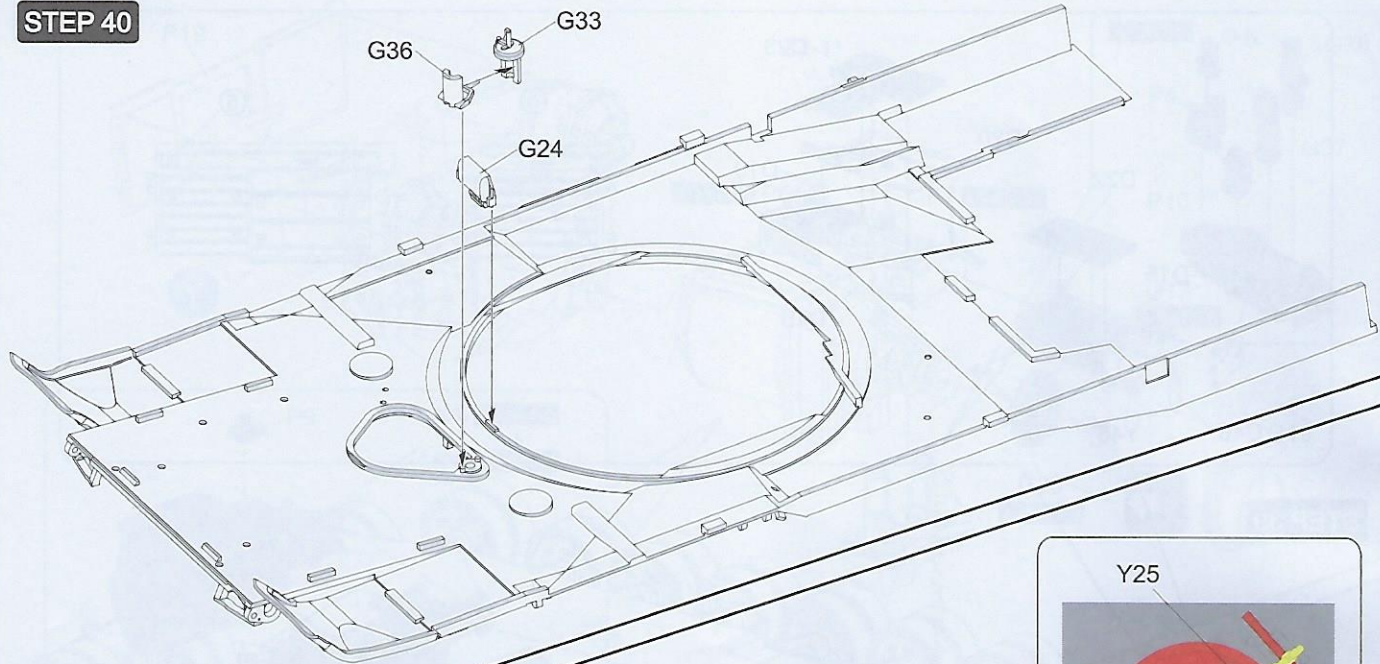




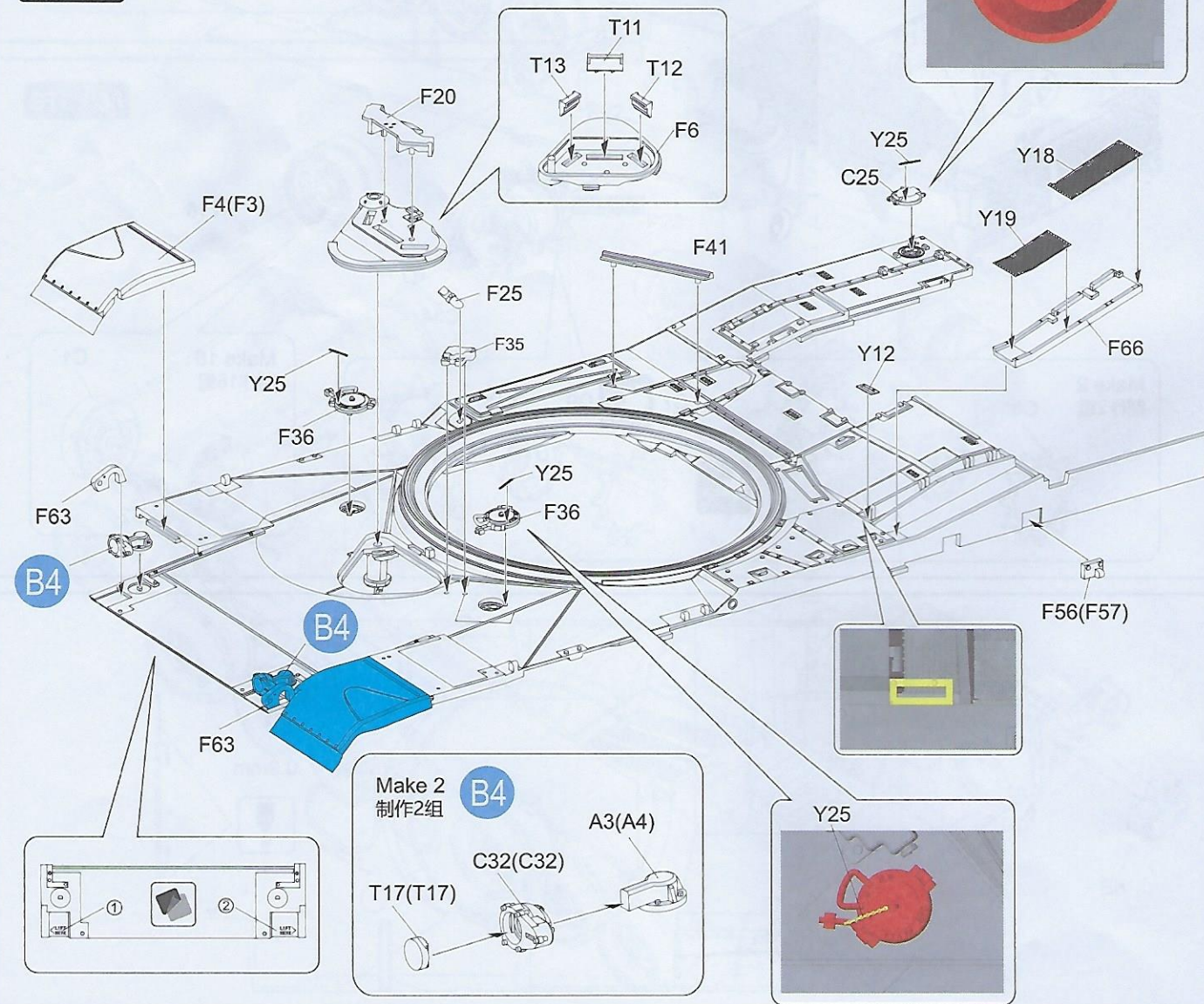
STEP 39



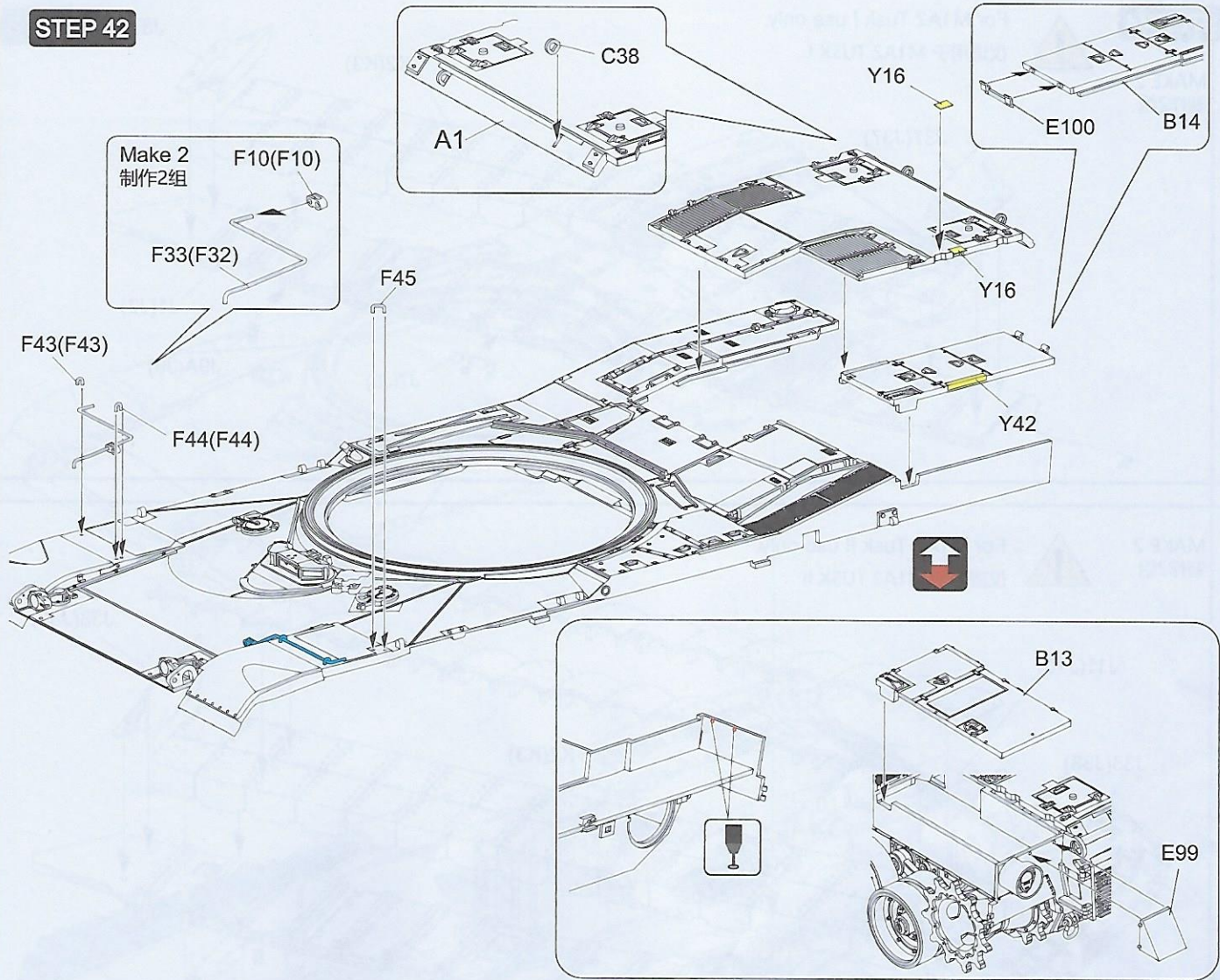
STEP 40



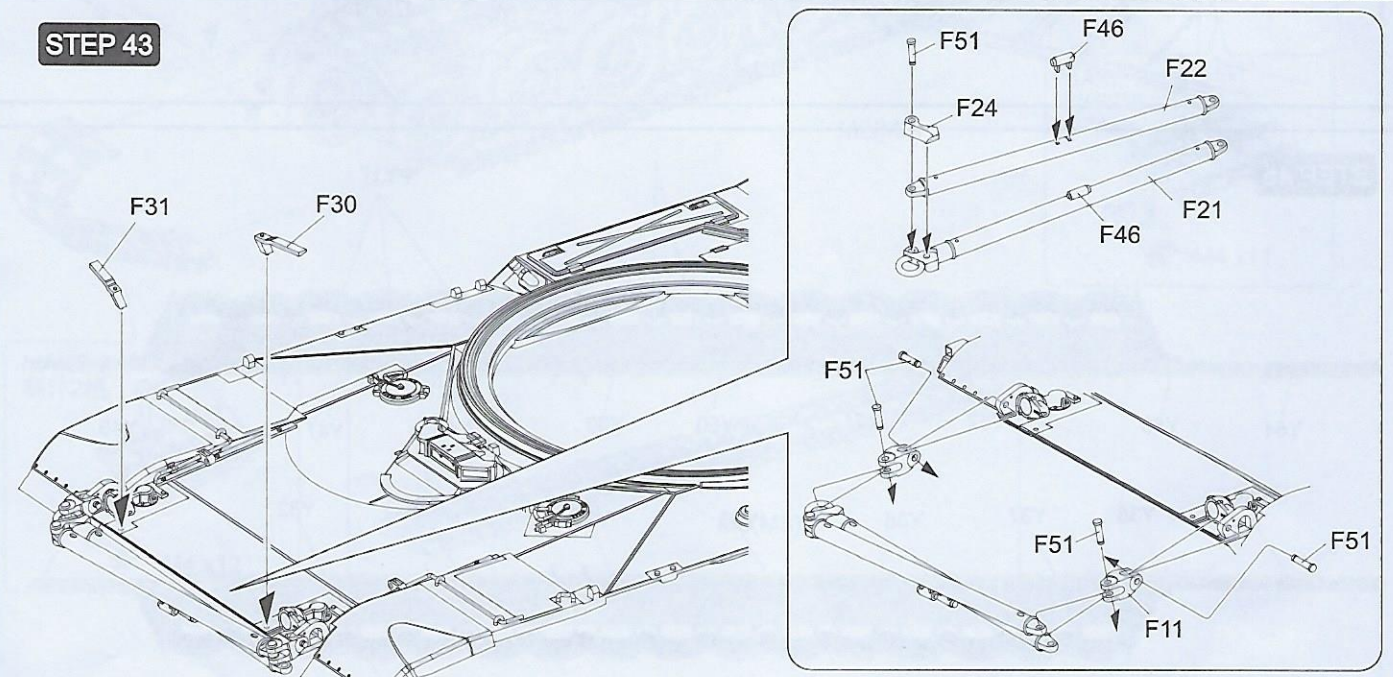
STEP 41



STEP 42



STEP 43



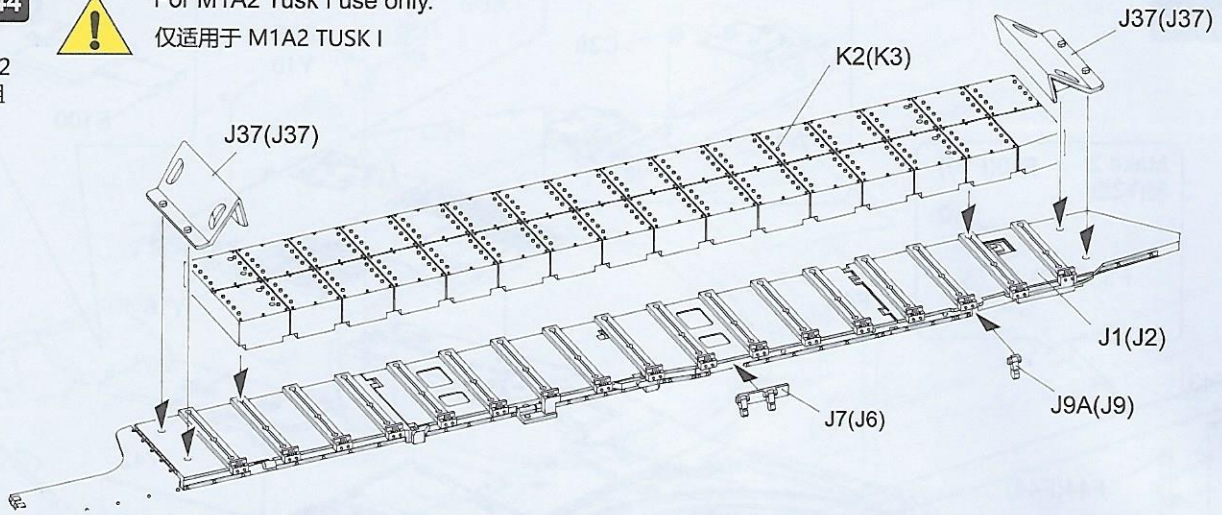
M1A2 TUSK I / TUSK II Body Assembly - M1A2 TUSK I/ TUSK II 车体组合

STEP 44



For M1A2 Tusk I use only.
仅适用于 M1A2 TUSK I

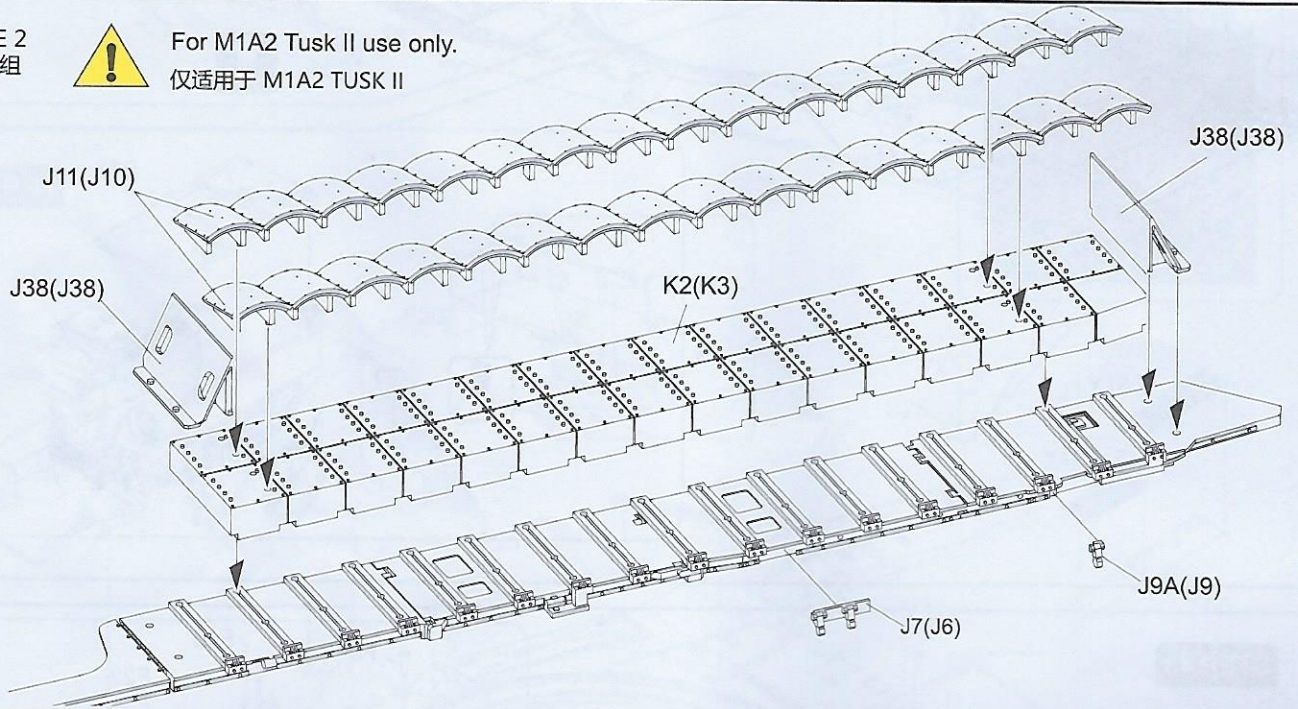
MAKE 2
制作2组



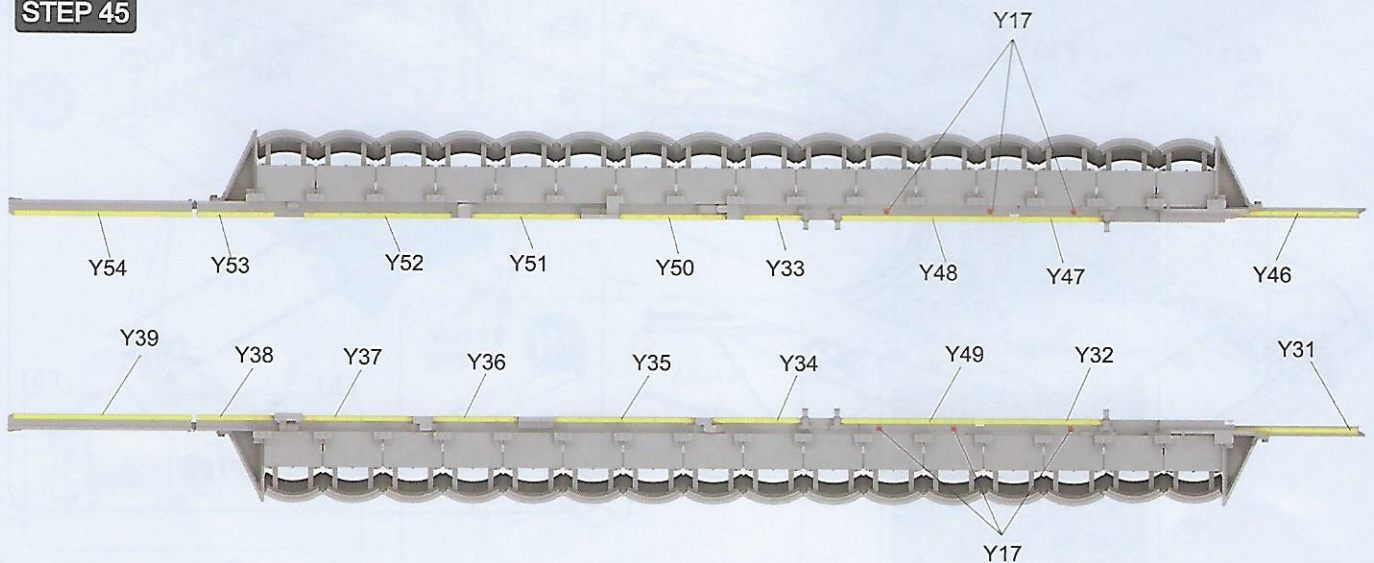
MAKE 2
制作2组



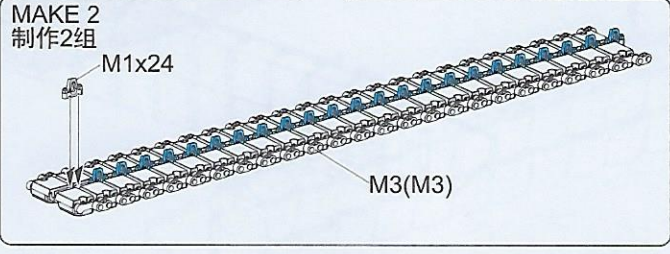
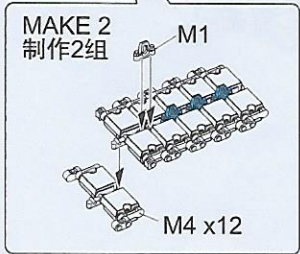
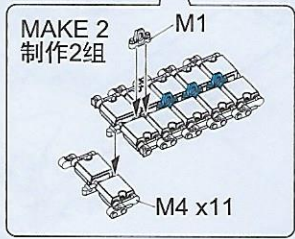
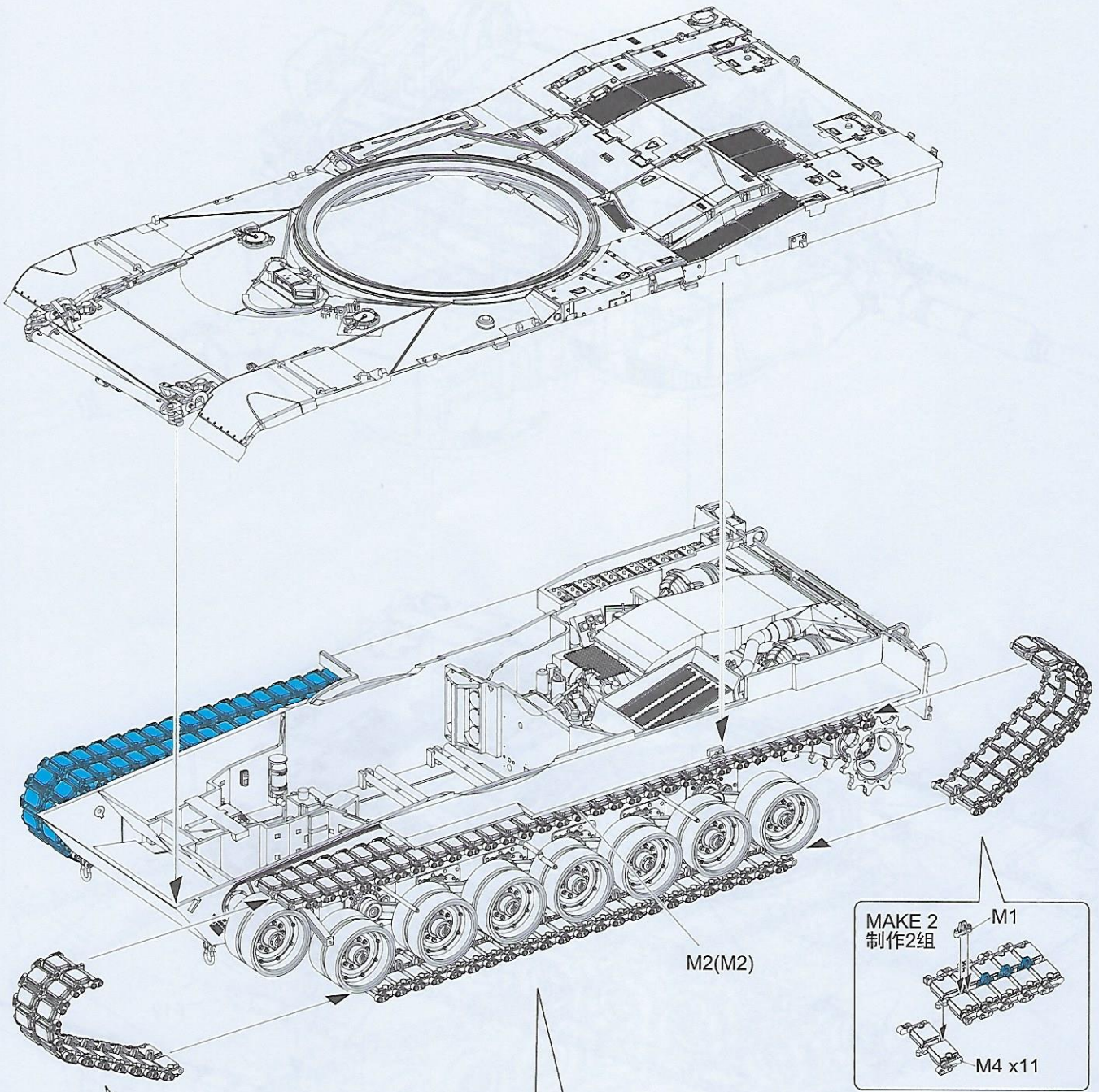
For M1A2 Tusk II use only.
仅适用于 M1A2 TUSK II



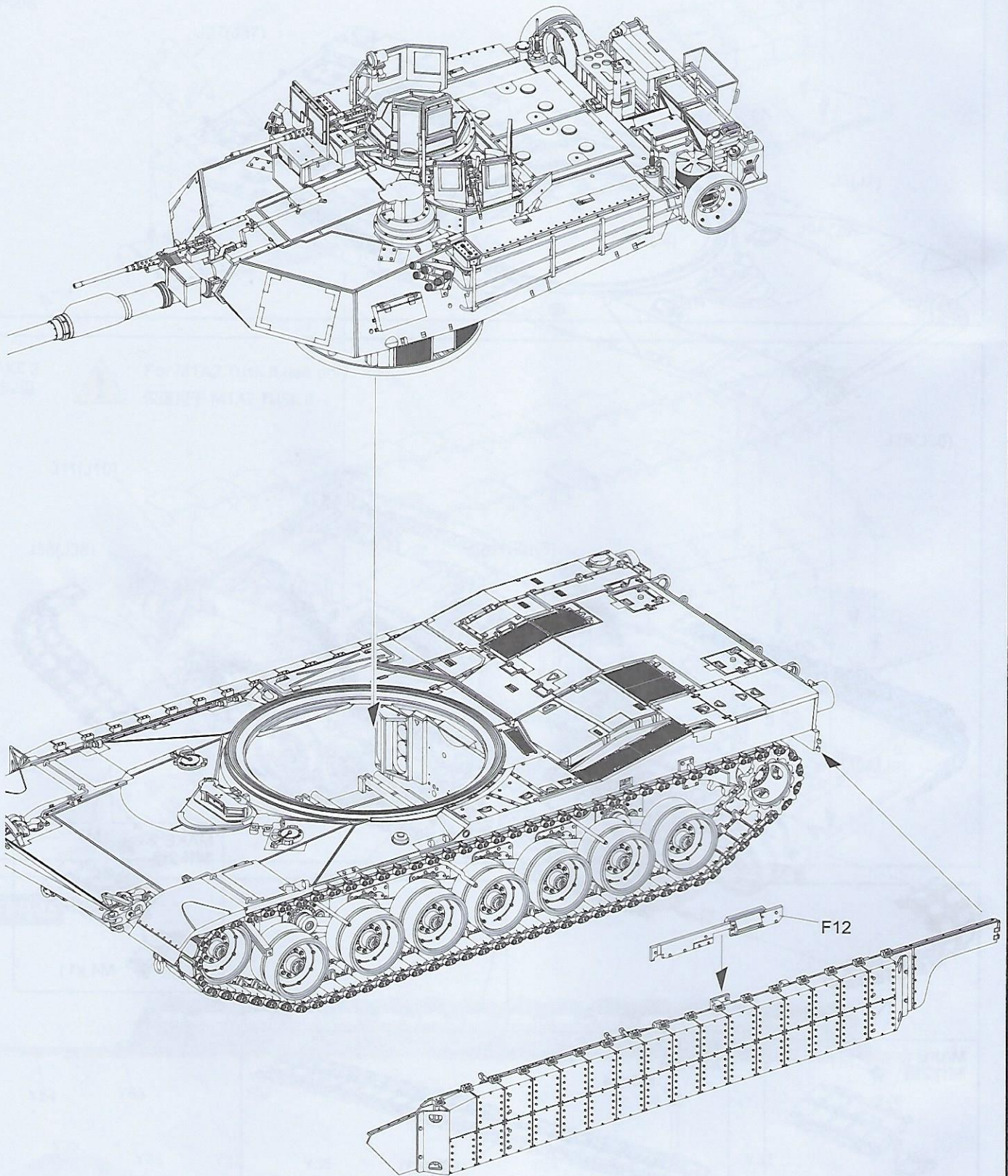
STEP 45

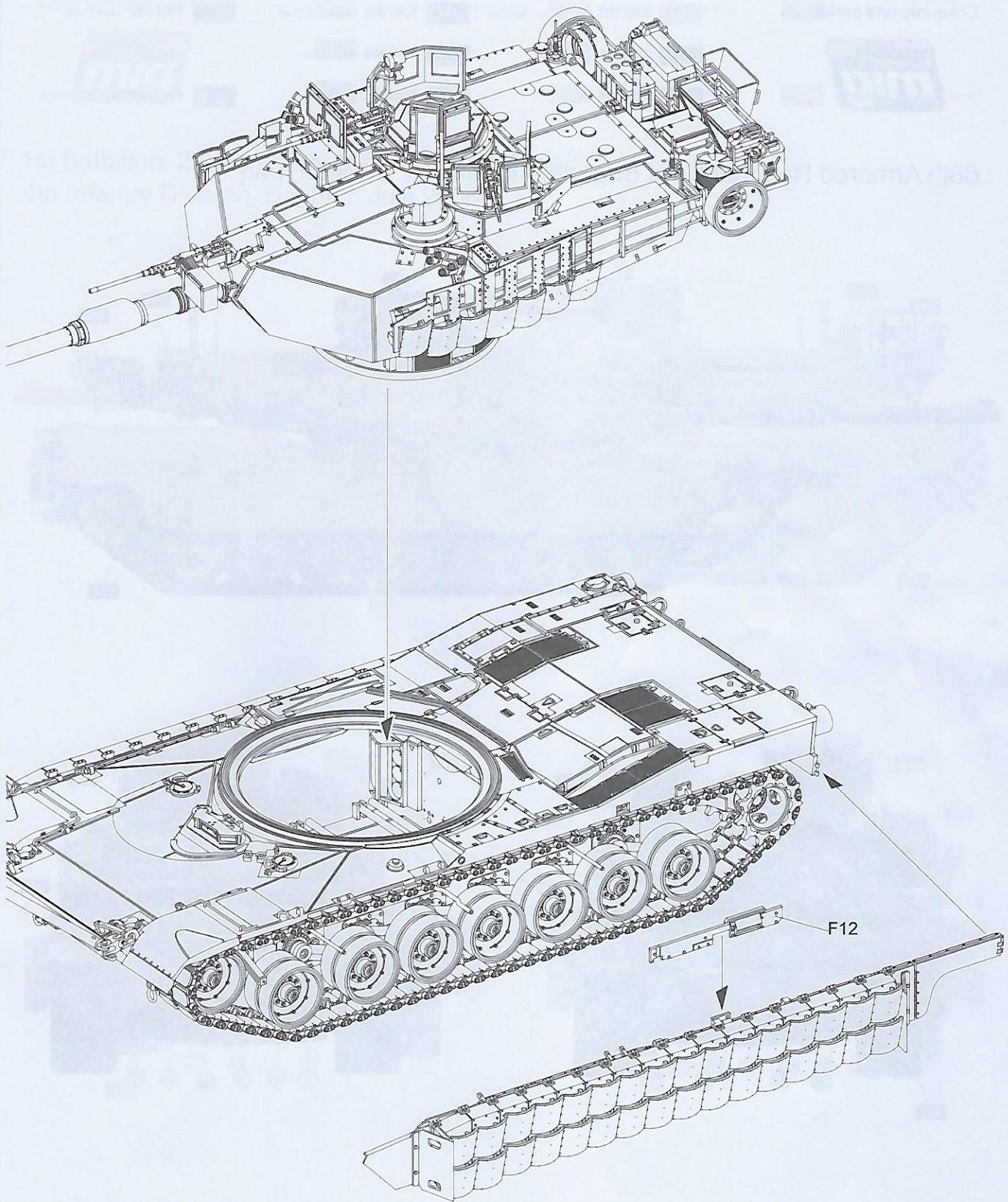


STEP 46



STEP 47





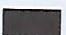








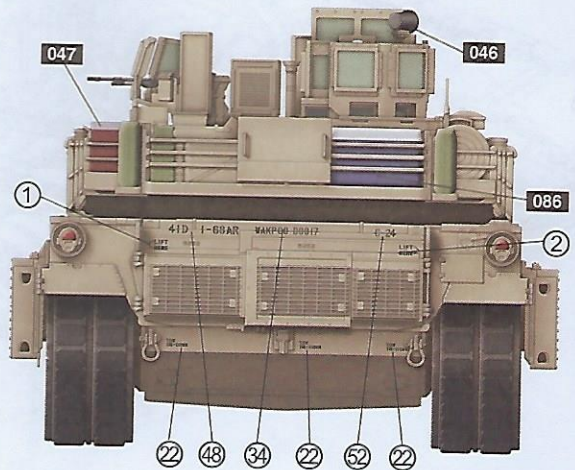
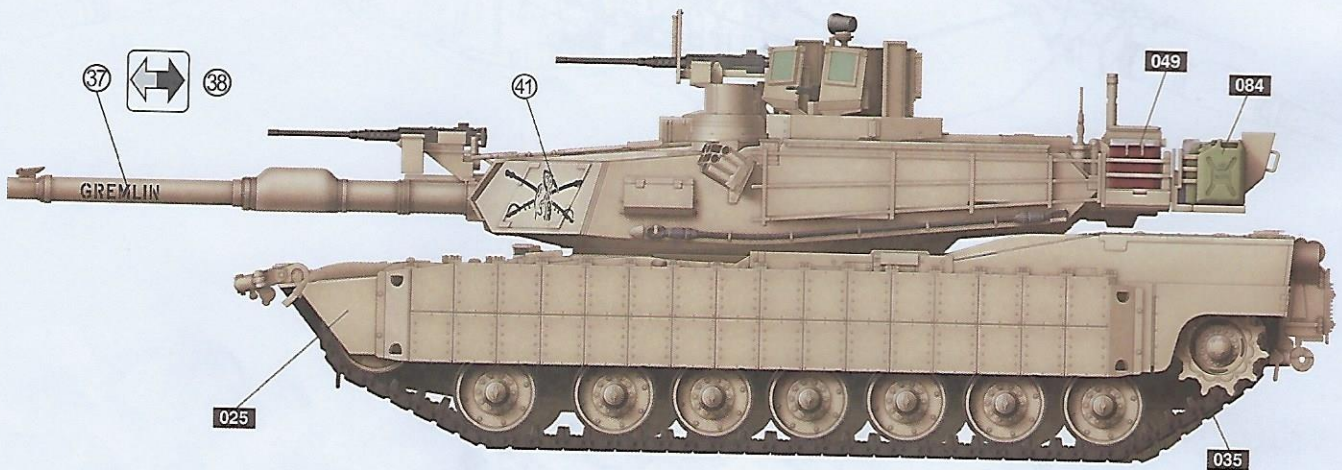
U.S. Main Battle Tank M1A2 SEP Abrams TUSK I

Color info and profiles by



 A.MIG 025 US Modern Vehicles	 A.MIG 033 Rubber & Tires	 A.MIG 035 Dark Tracks
 A.MIG 045 Gun Metal	 A.MIG 046 Matt Black	 A.MIG 047 White
 A.MIG 049 Red	 A.MIG 084 NATO Green	 A.MIG 086 Blue (RAL 5019)







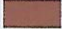
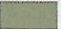

68th Armored Regiment, 1st Brigade, 4th Infantry Division, Iraq



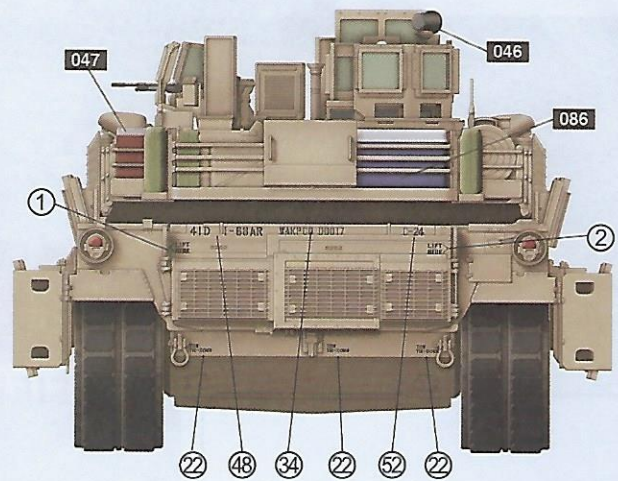
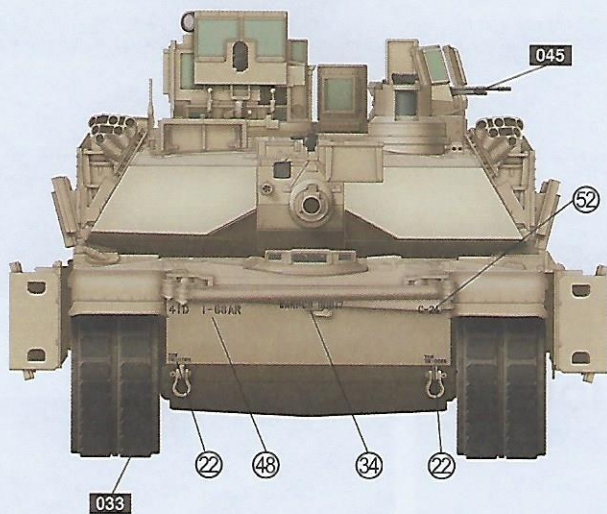
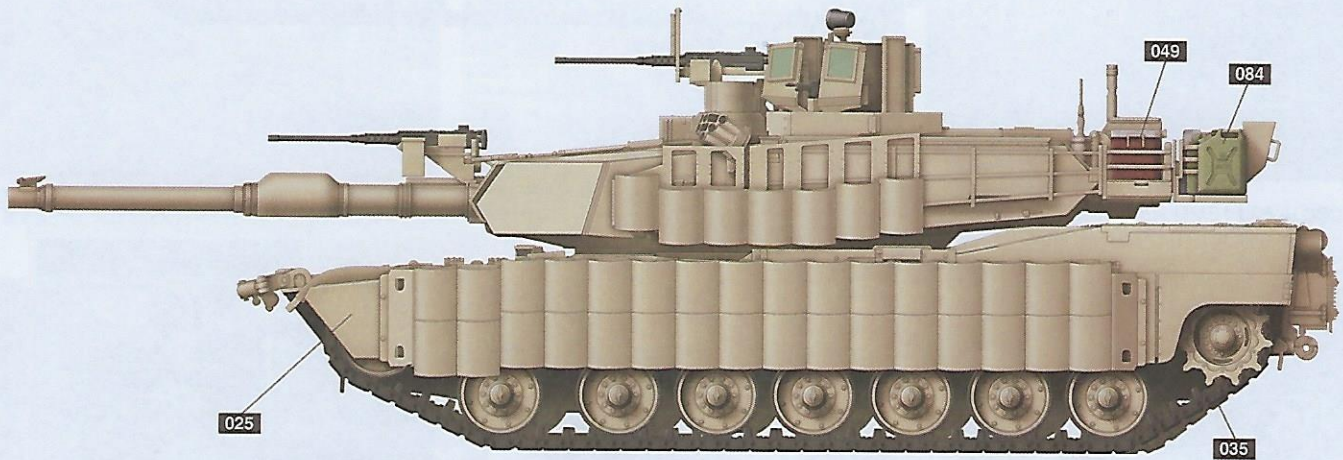
U.S. Main Battle Tank M1A2 SEP Abrams TUSK II

Color info and profiles by



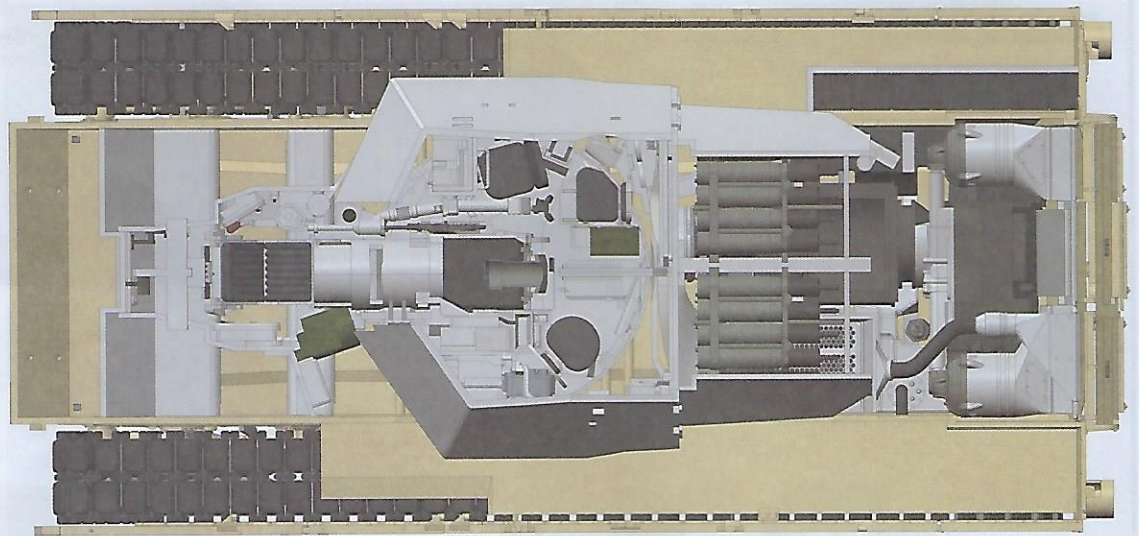
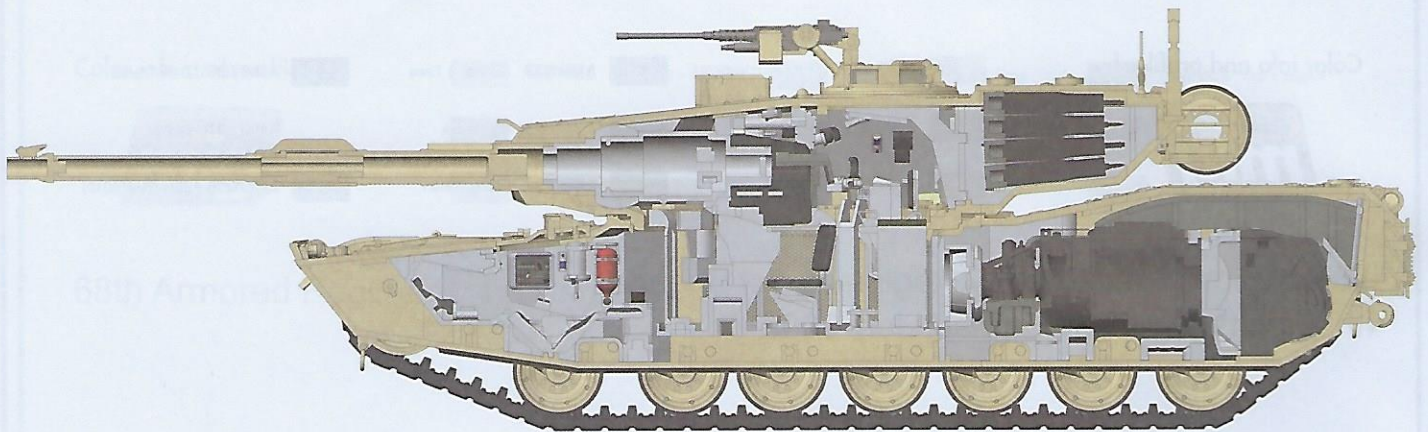
 A.MIG 025 US Modern Vehicles	 A.MIG 033 Rubber & Tires	 A.MIG 035 Dark Tracks
 A.MIG 045 Gun Metal	 A.MIG 046 Matt Black	 A.MIG 047 White
 A.MIG 049 Red	 A.MIG 084 NATO Green	 A.MIG 086 Blue (RAL 5019)

1st Battalion, 22nd Infantry Regiment, 1st Brigade,
4th Infantry Division, Baghdad, July 2008



M1A2 SEP ABRAMS TUSK I/ TUSK II 2 IN 1

M1A2 SEP エイブラムス TUSK I/TUSK II w/フルインテリア 美国主战坦克M1A2 艾布拉姆斯 TUSK I/ TUSK II 2合1



RFM
RYEFIELD MODEL®



FACEBOOK



微信公众号



微博

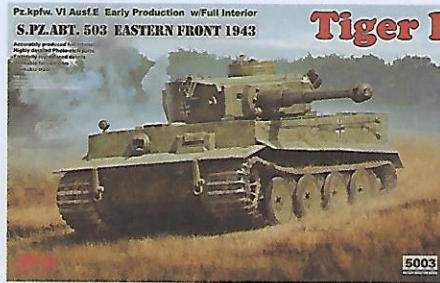
RYEFIELD MODELS (HK) CO., LTD.
香港麦田模型玩具有限公司

Support / 售后支持 : support@ryefield-model.com
Website / 网站 : www.ryefield-model.com

1:35 WW II MILITARY MINIATURES



RM-5001 TIGER I INITIAL PRODUCTION
EARLY 1943



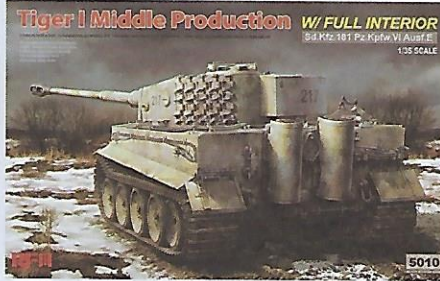
RM-5003 TIGER I EARLY PRODUCTION
WITH FULL INTERIOR



RM-5005 TIGER I GRUPPE "FEHRMANN"
APRIL 1945



RM-5008 BERGEPANZER TIGER I



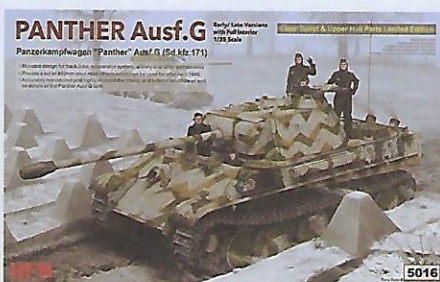
RM-5010 TIGER I MIDDLE PRODUCTION
WITH FULL INTERIOR



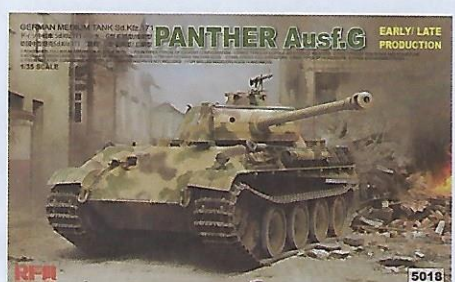
RM-5012 STURMTIGER RM61 L/ 5.4/ 38CM
WITH FULL INTERIOR



RM-5015 TIGER I LATE PRODUCTION



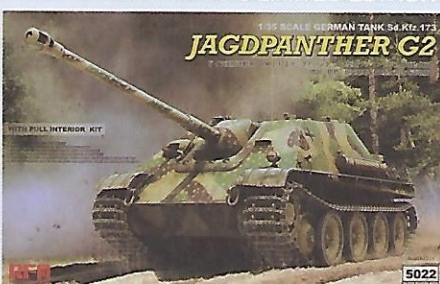
RM-5016 PANTHER AUSF.G EARLY/ LATE
WITH FULL INTERIOR
CLEAR PARTS LIMITED EDITION



RM-5018 PANTHER AUSF.G EARLY/ LATE



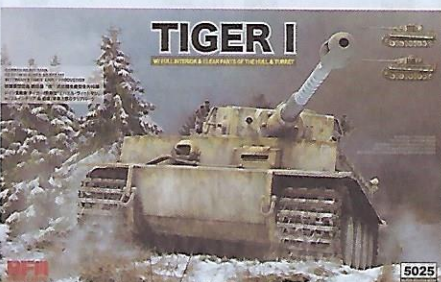
RM-5019 PANTHER AUSF.G WITH CUT
AWAY PARTS & FULL INTERIOR



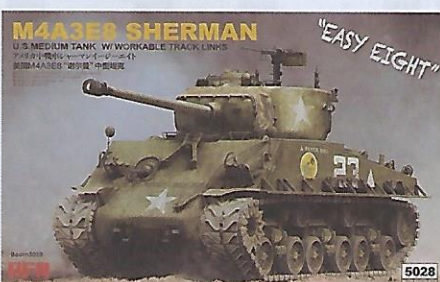
RM-5022 JAGDPANTHER G2
WITH FULL INTERIOR



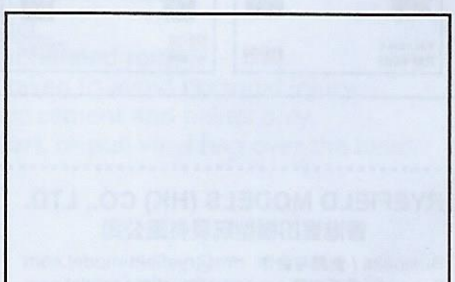
RM-5023 GERMAN STAFF CAR TYPE 82E



RM-5025 TIGER EARLY PRODUCTION W/
CLEAR PARTS & FULL INTERIOR



RM-5028 SHERMAN M4A3E8

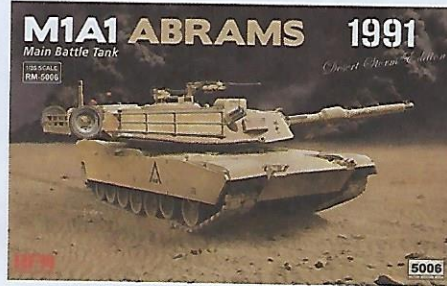


RM-5030 COMING SOON

1:35 MODERN MILITARY MINIATURES



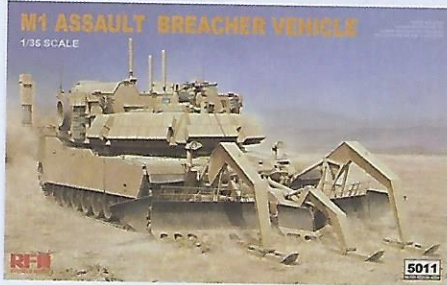
RM-5004 M1A1/ M1A2 TUSK



RM-5006 M1A1 ABRAMS GULF WAR 1991



RM-5007 M1A1/ A2 ABRAMS WITH FULL INTERIOR



RM-5011 M1 ASSAULT BREACHER VEHICLE



RM-5013 T-34/122 EGYPTIAN



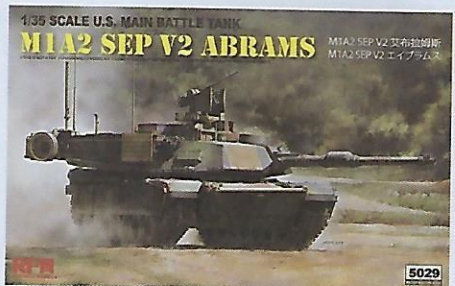
RM-5020 M551A1/ A1 TTS SHERIDAN



RM-5021 SCHÜTZENPANZER PUMA

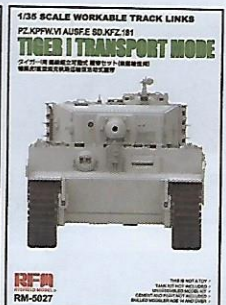


RM-5026 M1A2 TUSK I/ TUSK II WITH FULL INTERIOR



RM-5029 M1A2 SEP V2 ABRAMS

1:35 WORKABLE TRACK LINKS



RYEFIELD MODELS (HK) CO., LTD.
香港麦田模型玩具有限公司

Business / 业务与合作: rfm@ryefield-model.com
Support / 售后支持: support@ryefield-model.com
Website / 网站: www.ryefield-model.com

COPYRIGHT © 2018 ALL RIGHTS RESERVED



FACEBOOK



百度贴吧



微信公众号



新浪微博

RFM
RYEFIELD MODEL®