

Set: AC72-146. AIRWAVES.
 German ww.2. Seat and component set.

This detailed set is manufactured from photo etched brass sheet and is meant for 1:72 scale German W.W.2 Aircraft.

To separate components from frame, use a sharp modeling knife on a firm surface, cutting as near as possible to the part.

Tag scars can be removed by holding part in pliers and cleaning with a fine file.

To fold - support part up to fold line, fold in one go using a screwdriver blade, for best results use AIRWAVES FOLDING TOOL AM022.

To assemble use either superglue or five minute epoxy. Prior to pointing ensure that all parts are thoroughly cleaned by washing in detergent, and rinsed in clean water.

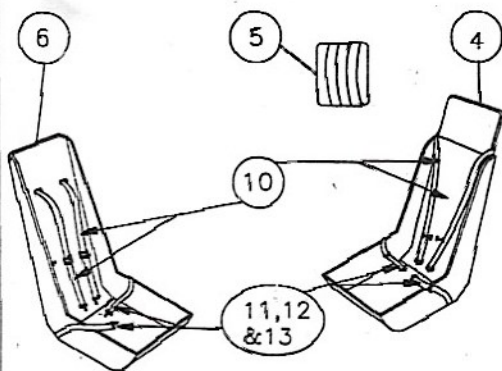
Priming, when parts are thoroughly dry, prime parts with matt enamel.

The position of parts shown in diagrams are for guidance only and for final positioning and colouring, consult reference material.

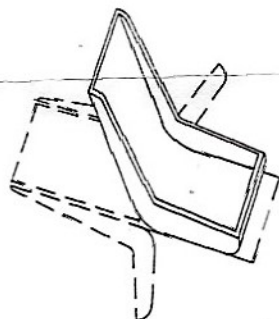
H G Hannant Ltd, Harbour Road, Oulton Broad
 Lowestoft, Suffolk, NR32 3LZ, England.
 Tel : 01502 517444, Fax : 01502 500521

KIT COMPONENT LIST:

- | | |
|----------------------------------|---------------------------------|
| 1 : Messerschmitt Bf110 seat. | 10 : |
| 2 : Bf 110 seat Padding (Large). | 11 : |
| 3 : Bf 110 seat Padding (Small). | 12 : Seat Belt Set. |
| 4 : Me 163 Komet seat. | 13 : |
| 5 : Me 163 Komet seat Padding. | 14 : Gun sights. (Machine Gun). |
| 6 : Heinkel He 111 seat. | 15 : |
| 7 : Messerschmitt Me109 seat | 16 : Gun sights. (Head up). |
| 8 : Me 109 seat Padding (Large). | 17 : Rudder pedals |
| 9 : Me 109 seat Padding (small). | |



All
 seats



Make from clear Acetate sheet. (Not inc.)

