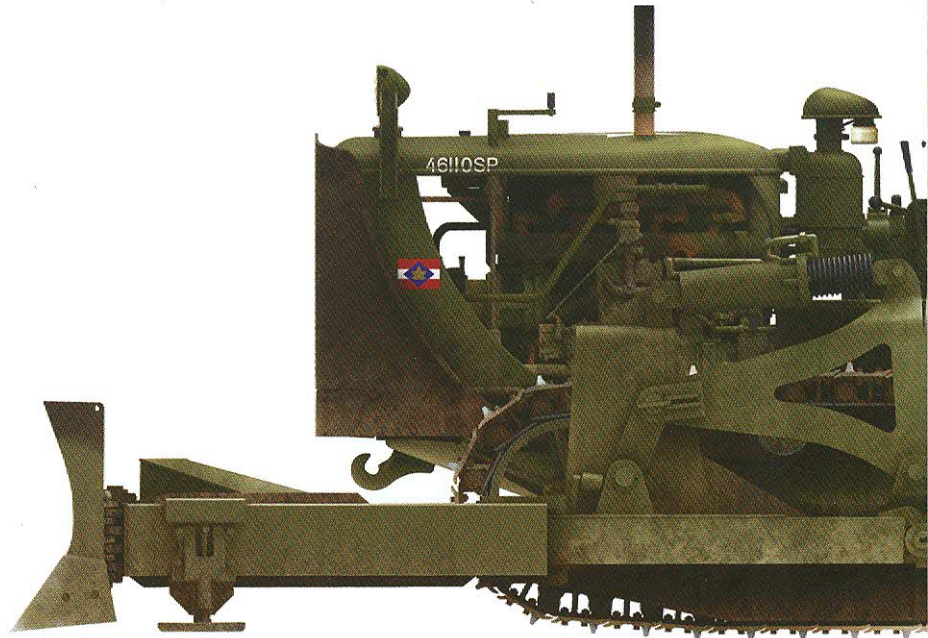
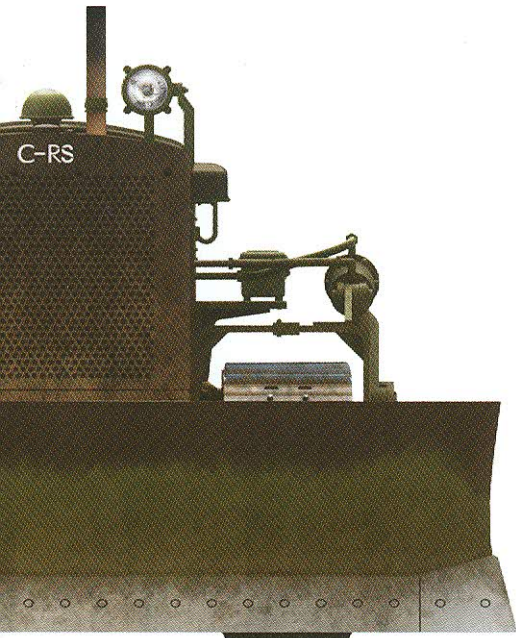


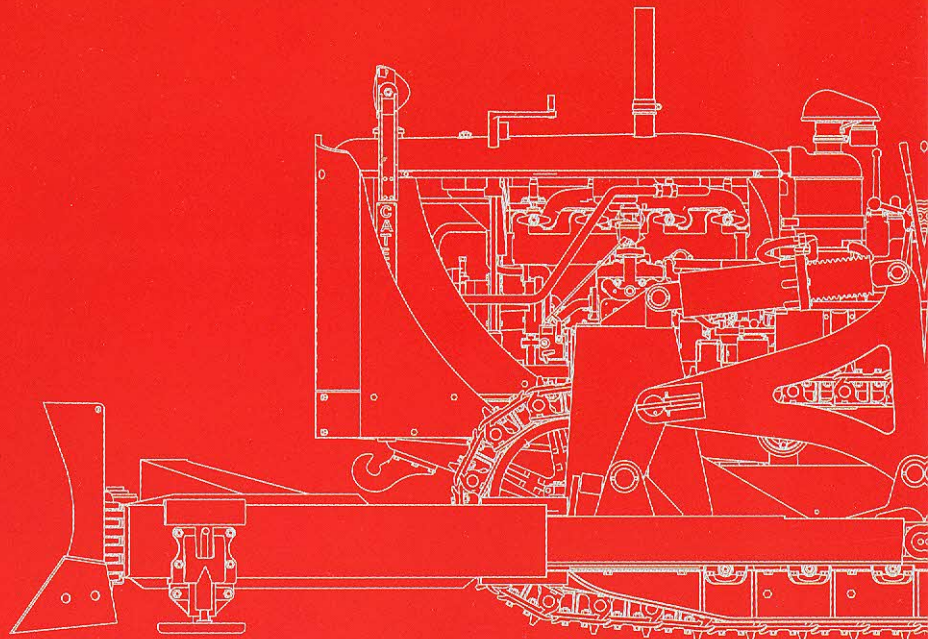
U.S. ARMY BULLDOZER

35195



GENERAL INSTRUCTION

- HIGHLY DETAILED MODEL
- TOTAL DETAILS 726
- 716 PLASTIC PARTS
- 8 PHOTOETCHED PARTS
- 2 CLEAR PLASTIC PARTS
- DECALS SHEET FOR 3 OPTIONS
- FULL-COLOUR INSTRUCTION
- WORKABLE TRACK LINK
- FULLY DETAILED ENGINE COMPARTMENT AND CHASSIS
- UP-TO-DATE TECHNOLOGY USING SLIDING MOULDS





MAKE 2PCS
2 TEILE FERTIGEN
EFFETUER 2 PIÈCES
FARE DUE PEZZI
TEE 2 KPL
GOR 2 ST
ПОВТОРИТЬ ДВА РАЗА
КІЛЬКІСТЬ РАЗІВ



DO NOT CEMENT
NICHT KLEBEN
NE PAS COLLER
NON INCOLLARE
EILIMÄÄ
LIMMAEJ
НЕ ИСПОЛЬЗОВАТЬ КЛЕЙ
НЕ КЛЕЙТИ



OPTIONAL
NACH BELIEBEN
FACOLTATIVO
FACOLTATIVO
VALINNAK/VAIKARAINEN
VALBAR
ВАРИАНТЫ
ВАРИАНТИ



OPEN HOLE
OFFEN
FAIRE UN TROU
FORO APERTO
AVAA REIKÄ
OPPNHALET
СДЕЛАТЬ ОТВЕРСТИЕ
ЗРОБИТИ ОТВІР



REMOVE
ENTFERNEN
SEPARARE
FOUSTA
AVLASNA
ОТРЕЗАТЬ
ВІДРІЗАТИ



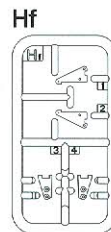
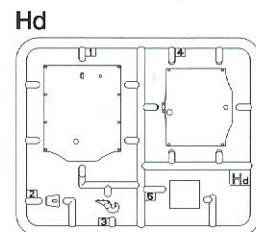
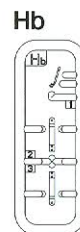
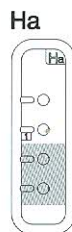
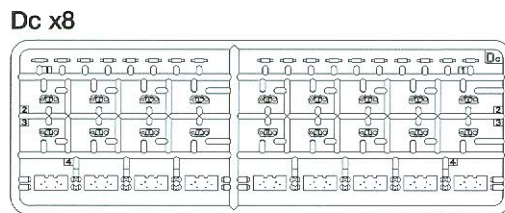
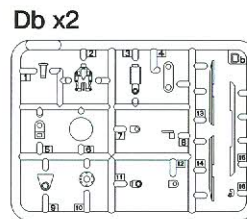
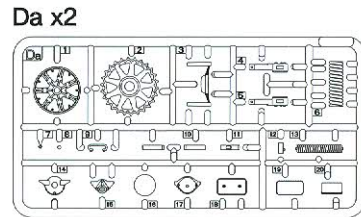
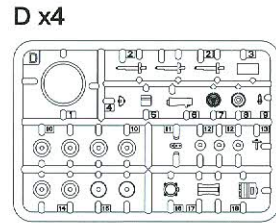
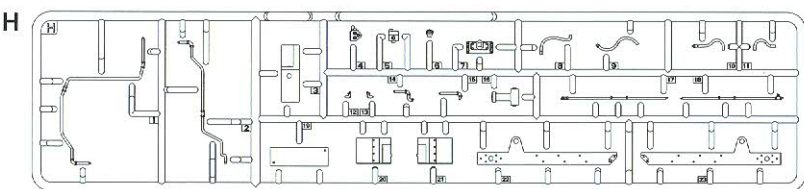
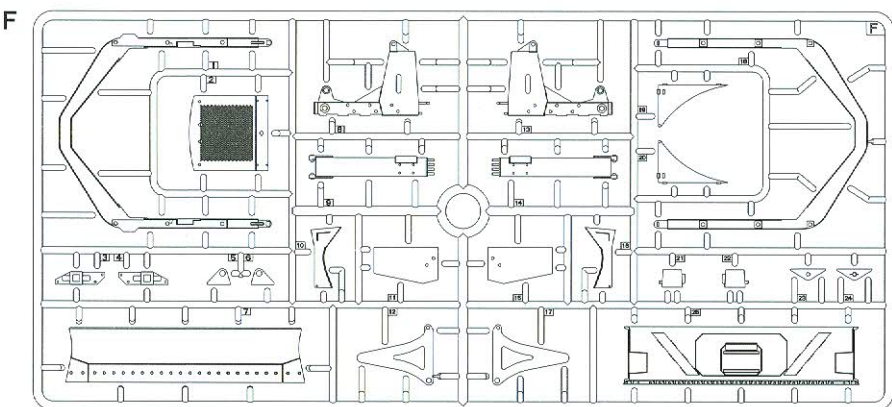
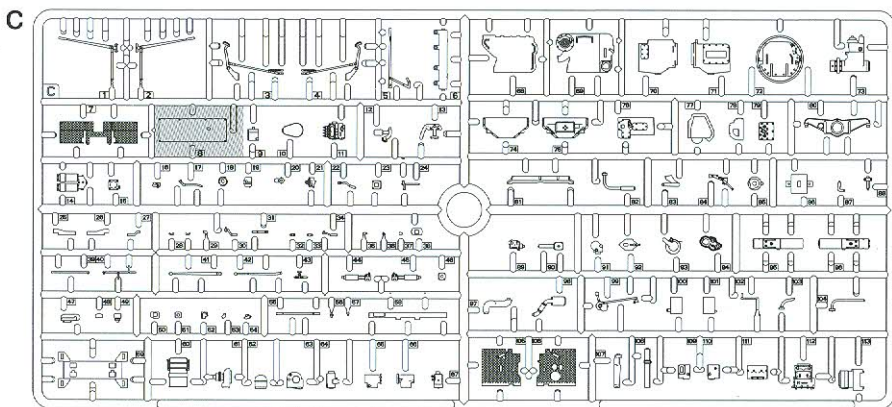
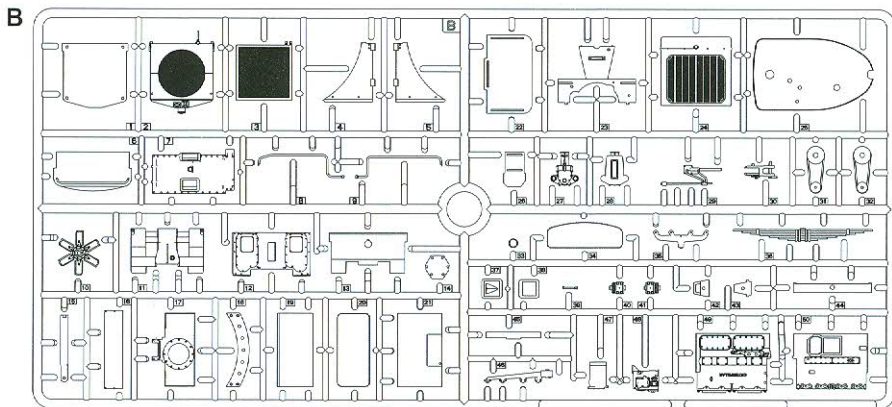
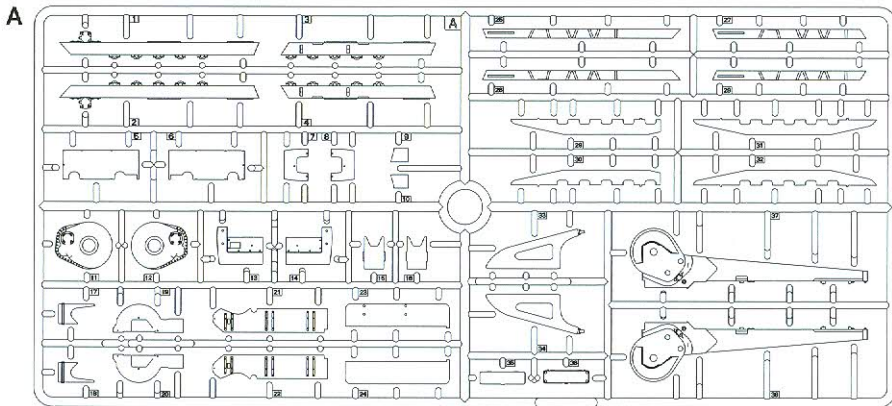
BEND
BITTE BIEGEN
PLIER SIIL VOUS PLAÏT
PIEGARE
TATA
ВОККА
ВИГНУТЬ
ВИГНУТИ



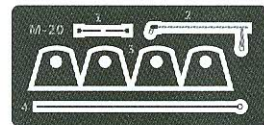
SCRATCHBUILD
AM MEISTEN ZU MACHEN
FAIRE LE PLUS
RENDITI
TEE ITSE
GOR DIG SJÄLV
СДЕЛАТЬ САМОМУ
ЗРОБИТИ САМОМУ



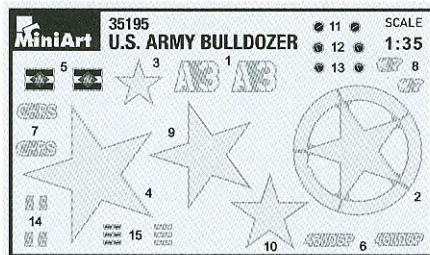
PARTS NOT FOR USE
TELLE WERDEN NICHT VERWENDET
N'EST PAS UTILISÉ
PARTI NON PER L'USO
OSIA EI KÄYTTÄ
INTE FOR ANVÄNDNING
НЕ ИСПОЛЬЗУЕТСЯ
НЕ ВИКОРИСТОВУЄТЬСЯ

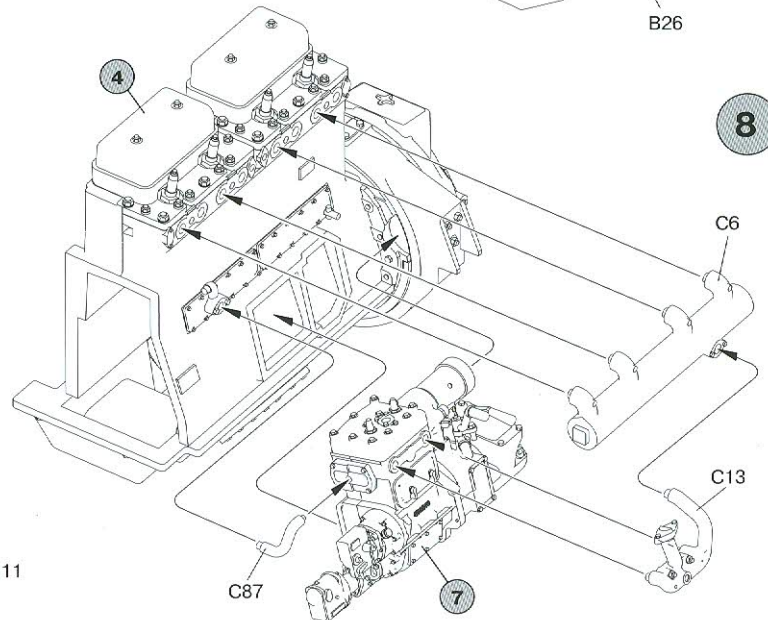
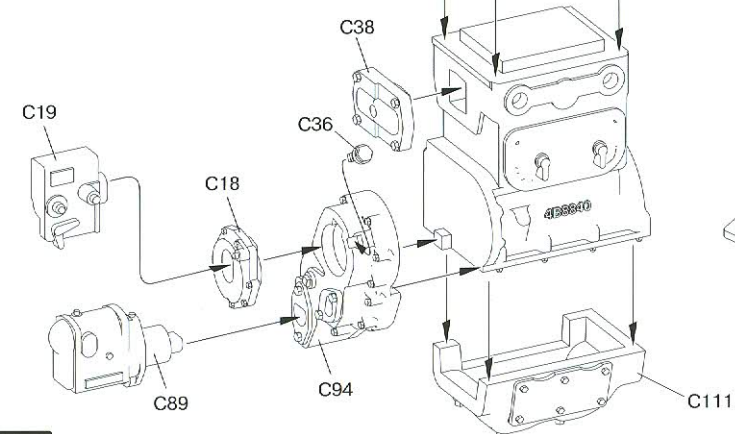
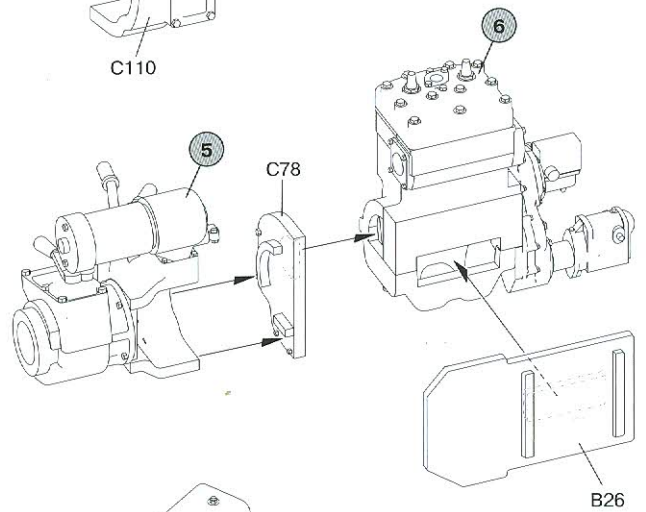
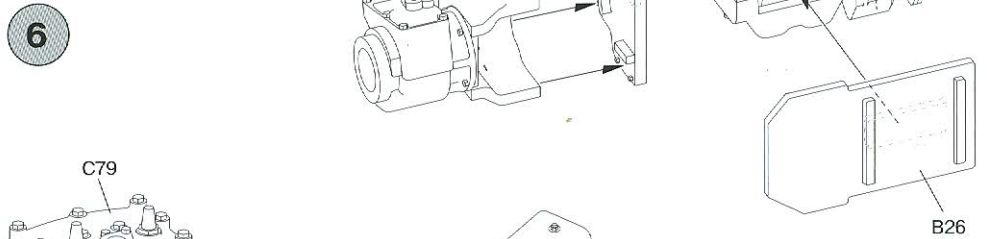
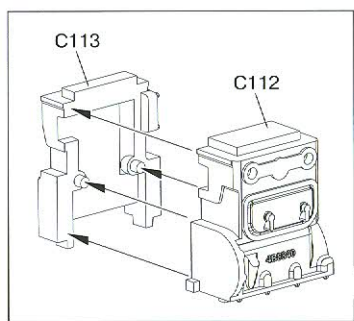
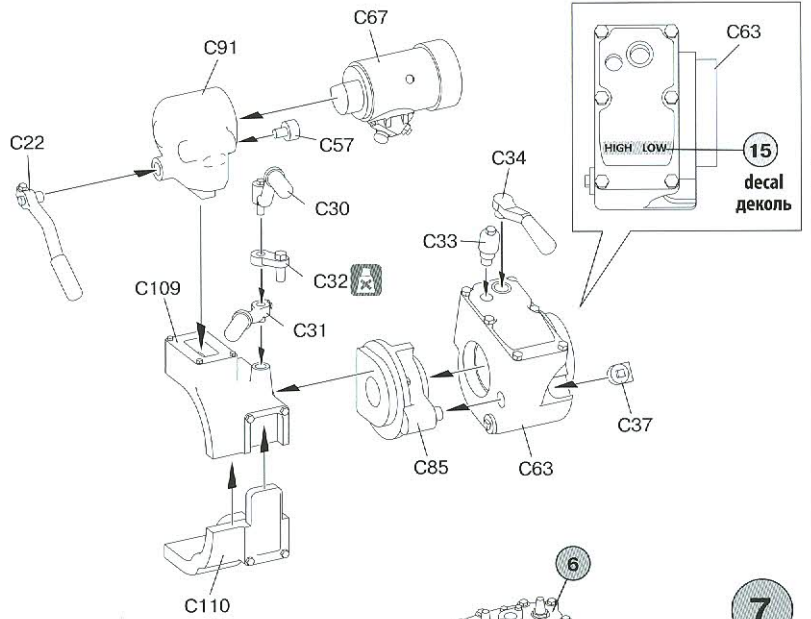
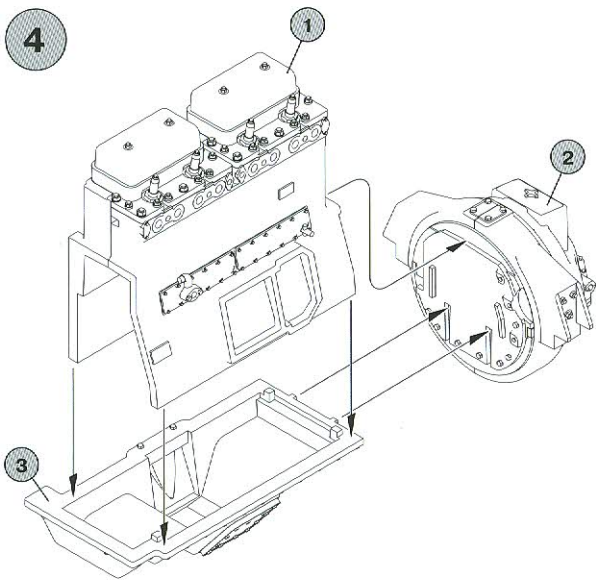
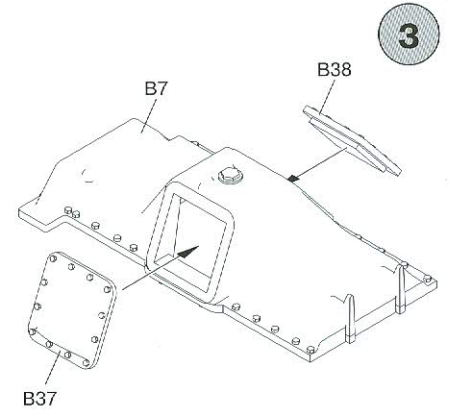
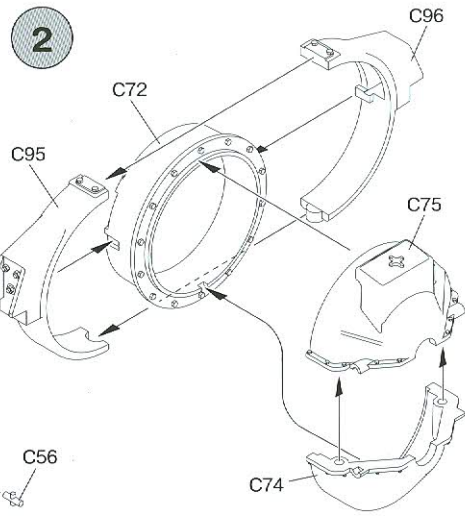
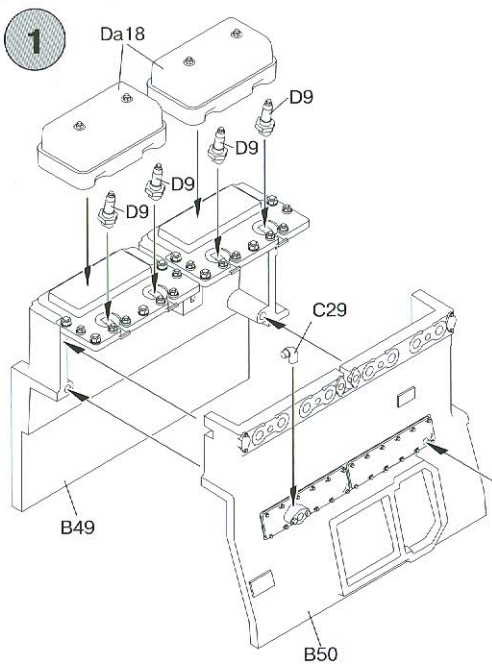


PE (Photo-etched parts)
Детали фототравления

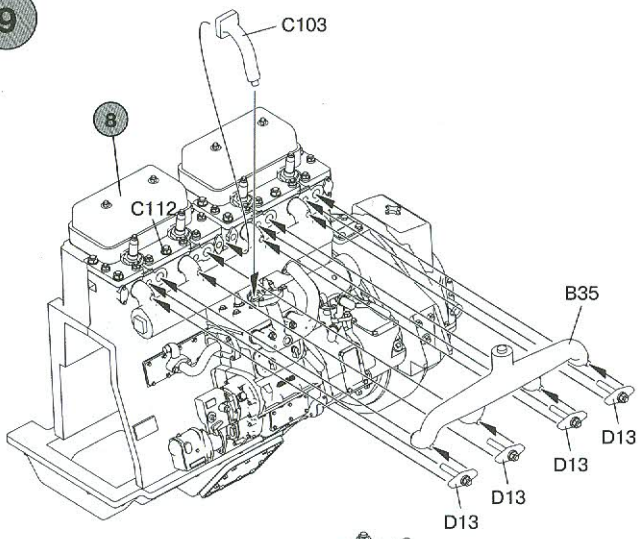


Decal/Деколь

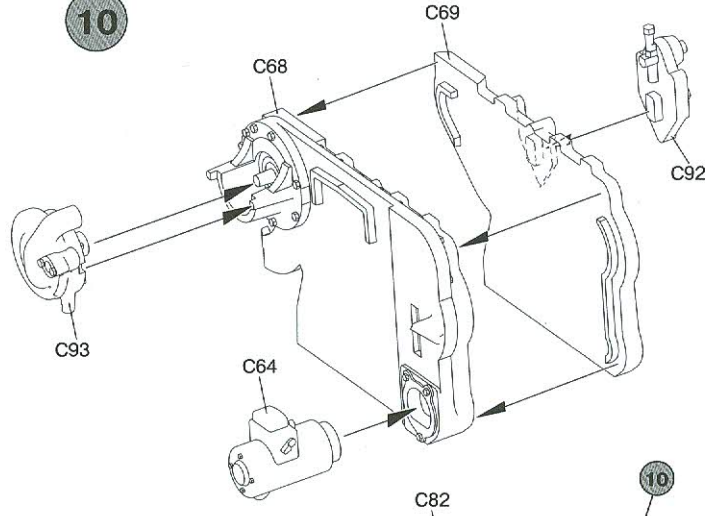




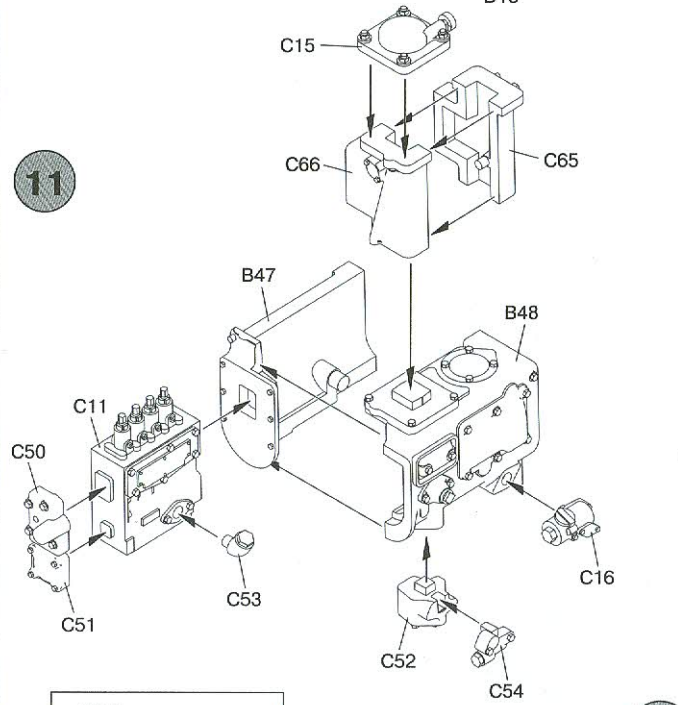
9



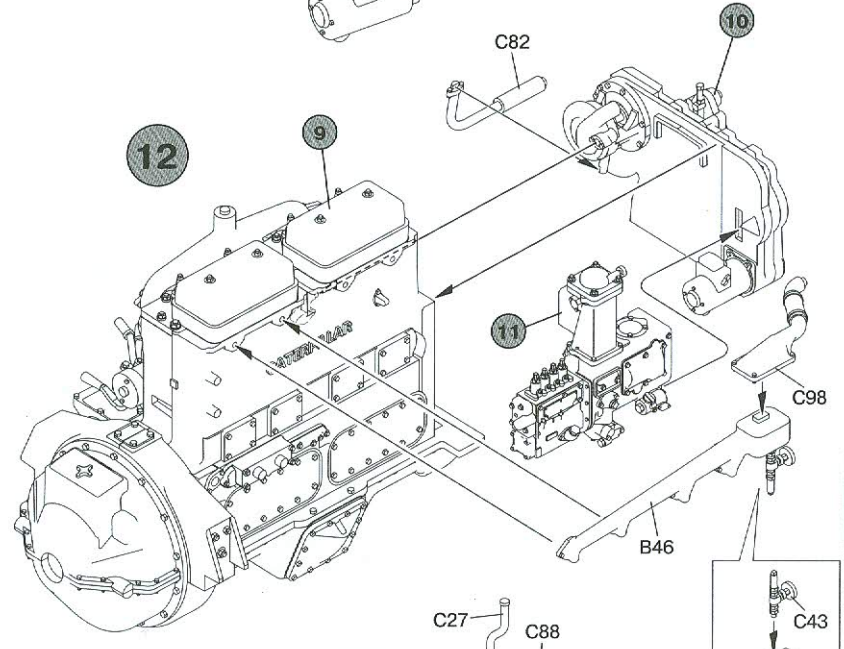
10



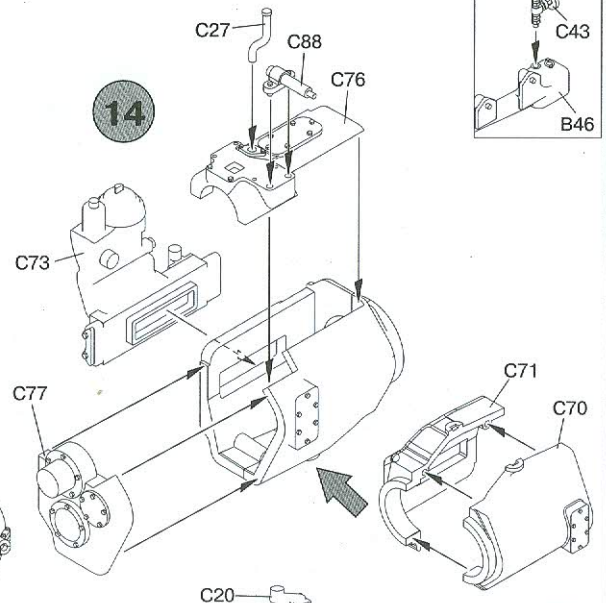
11



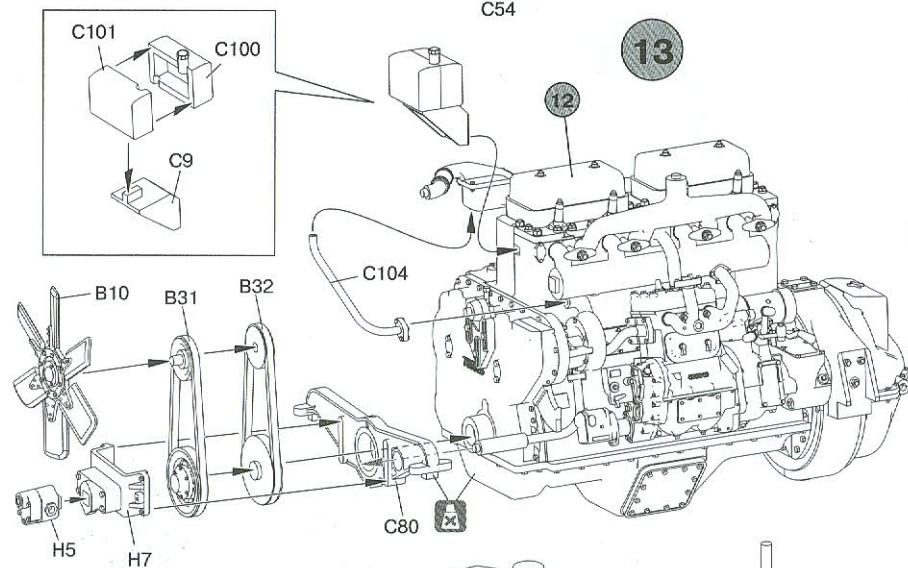
12



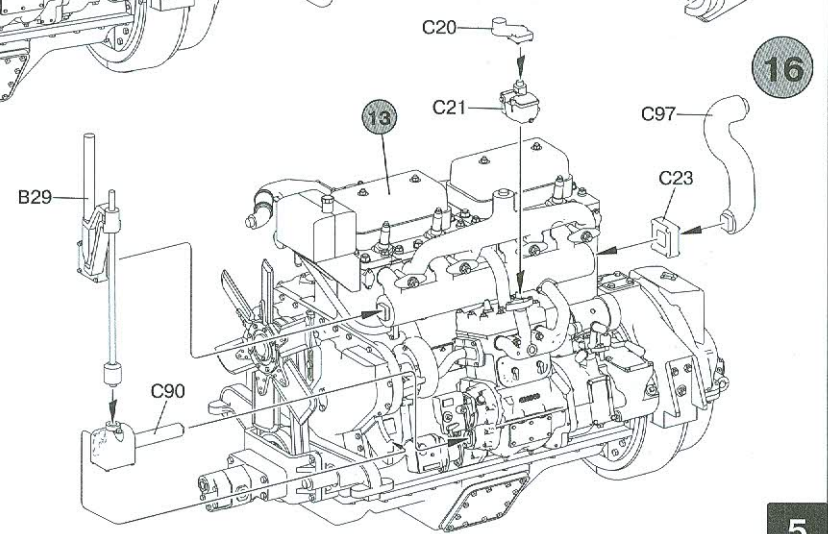
14



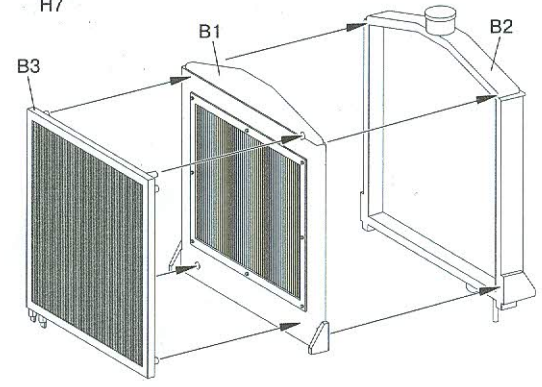
13



16

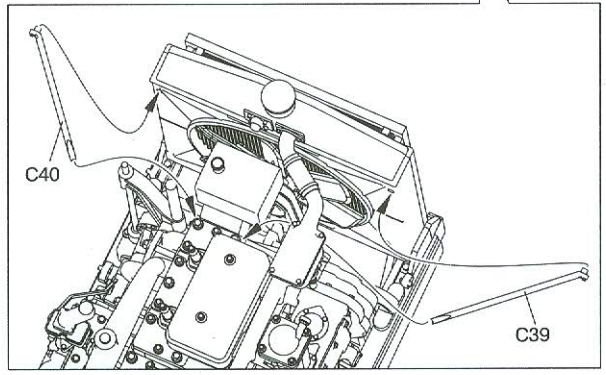
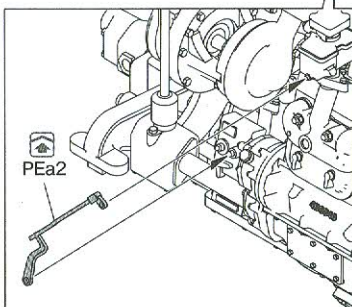
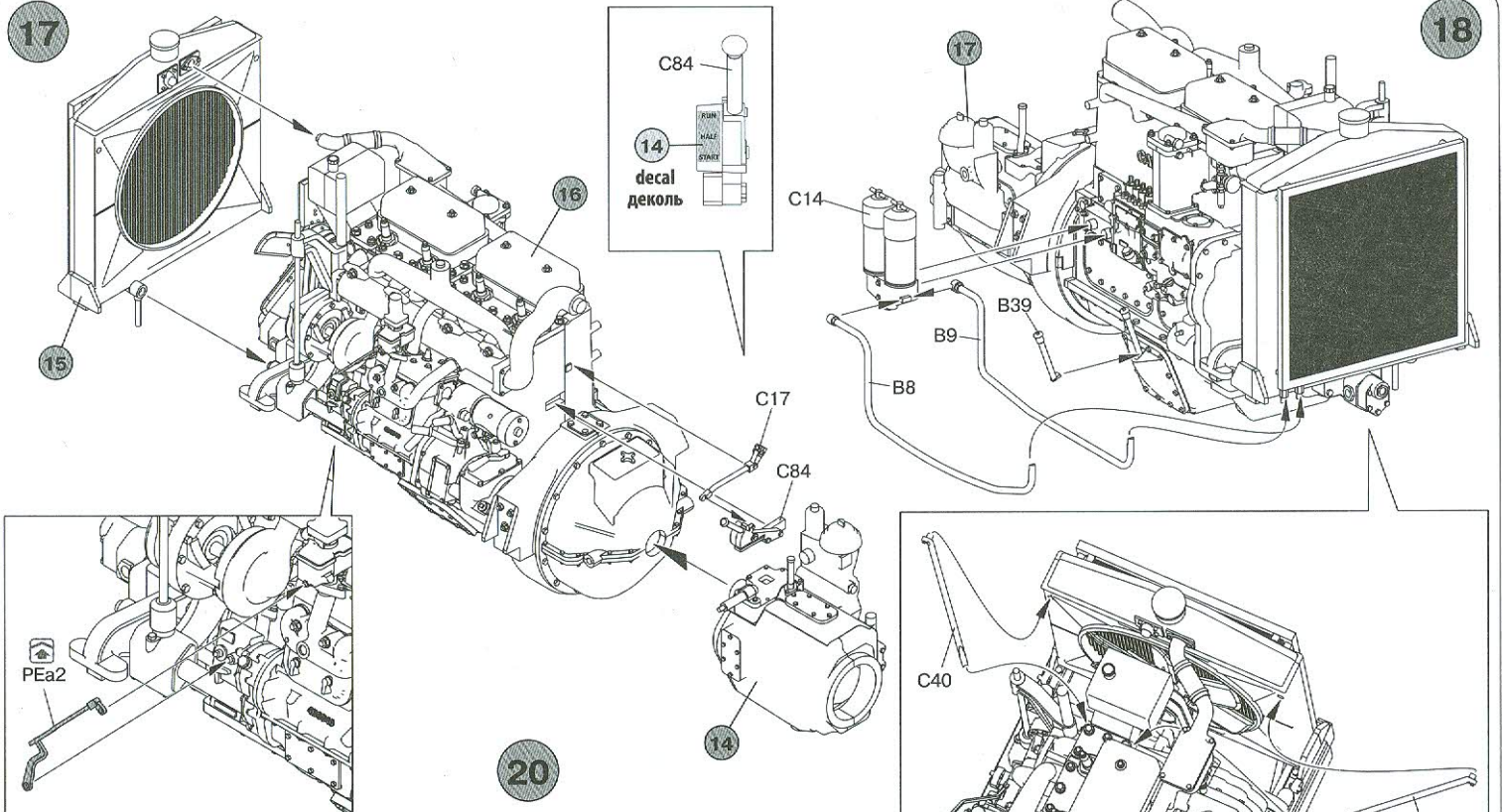


15



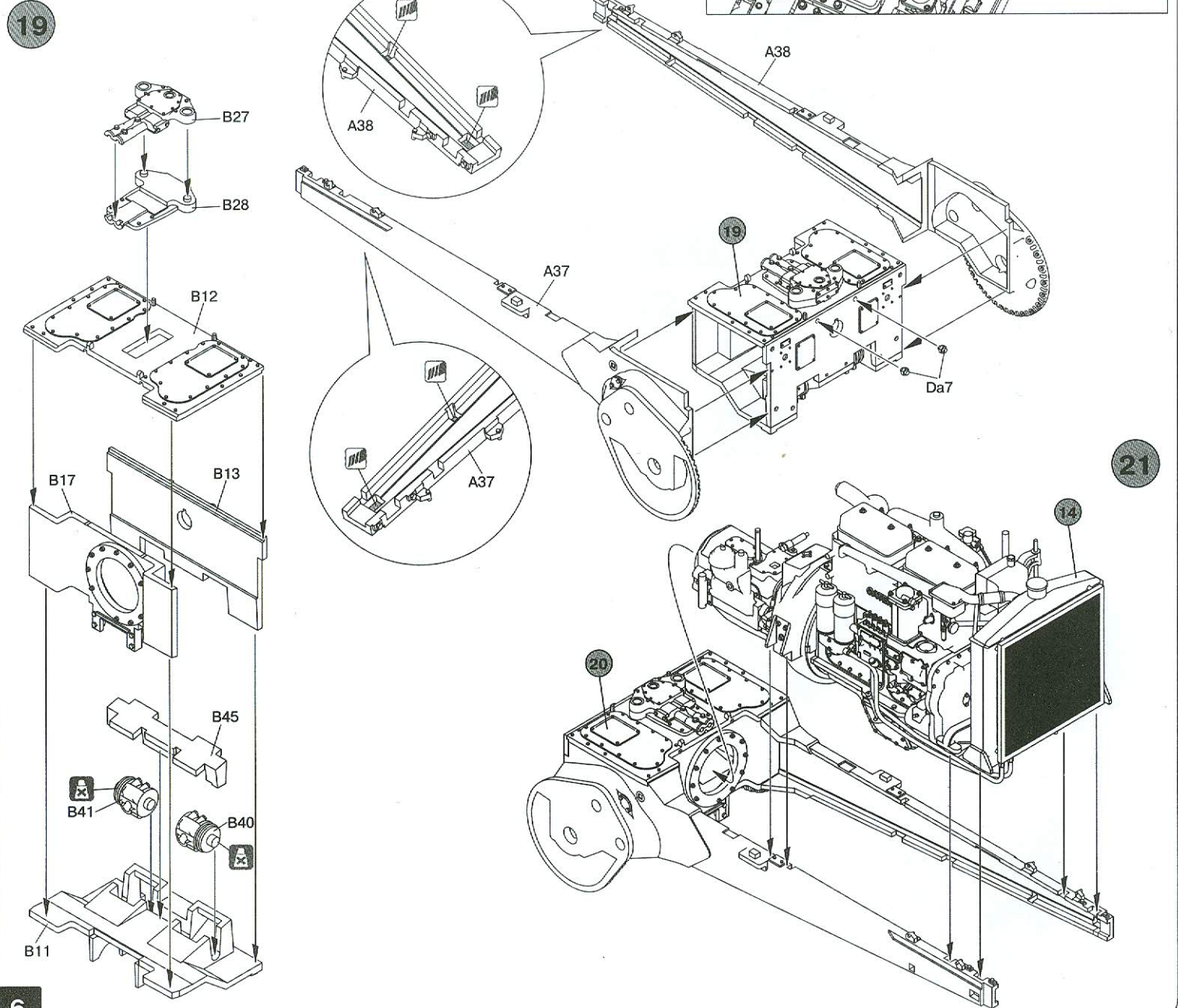
17

18



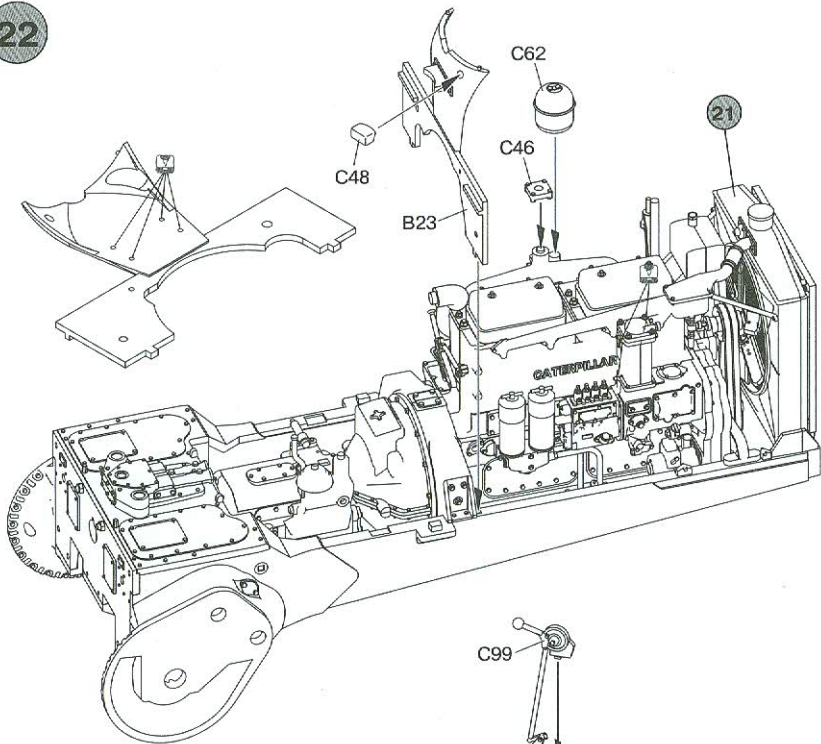
20

19

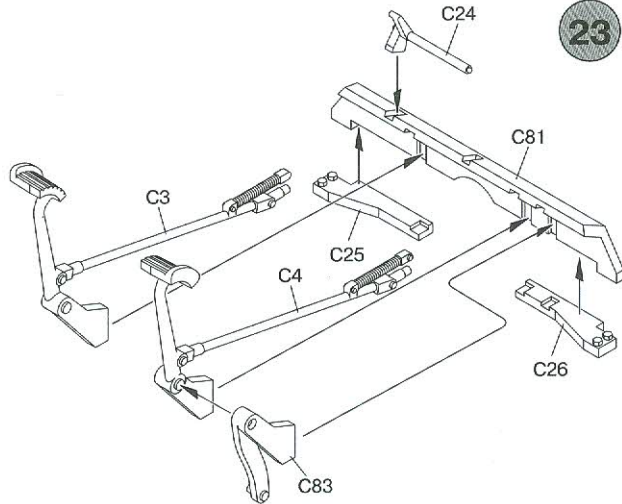


21

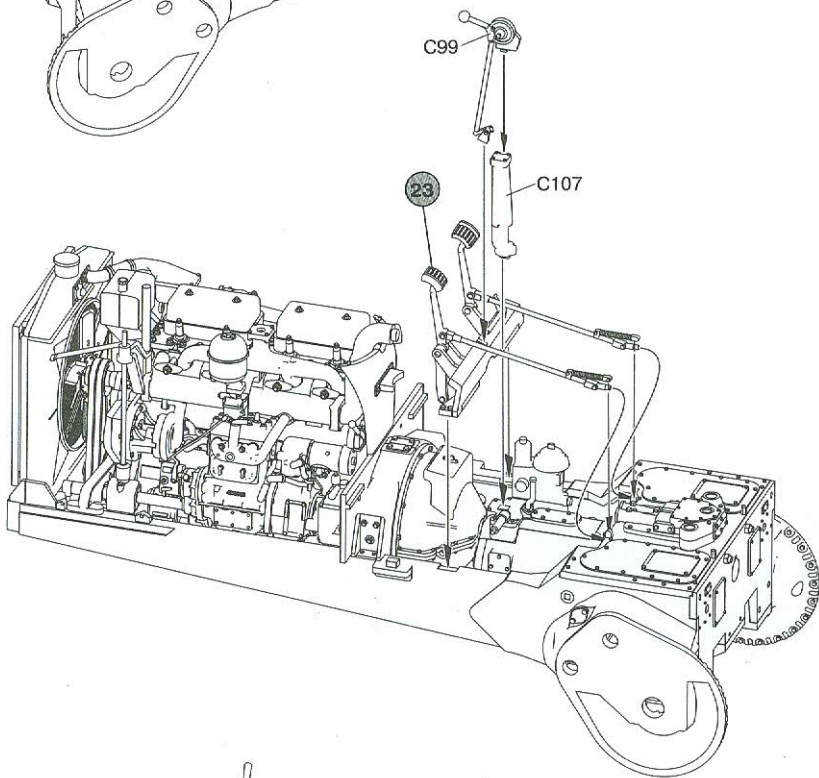
22



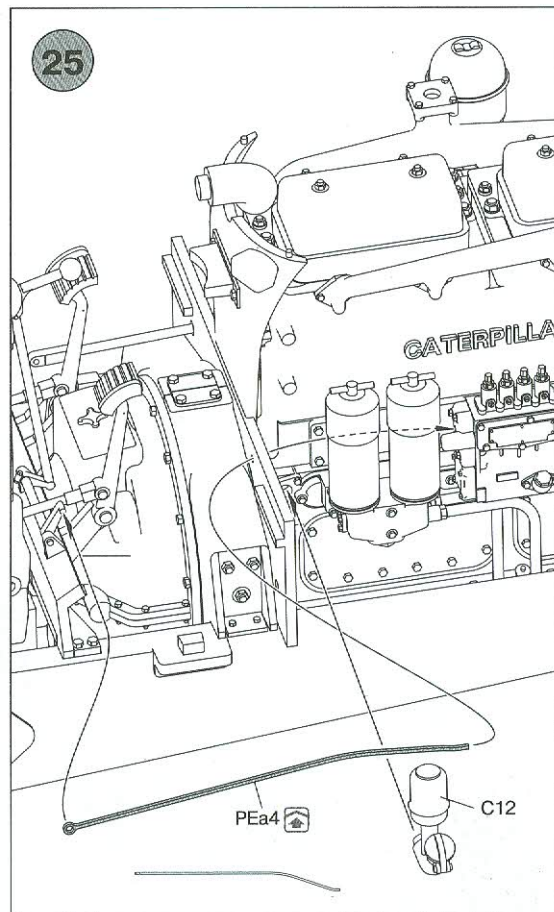
23



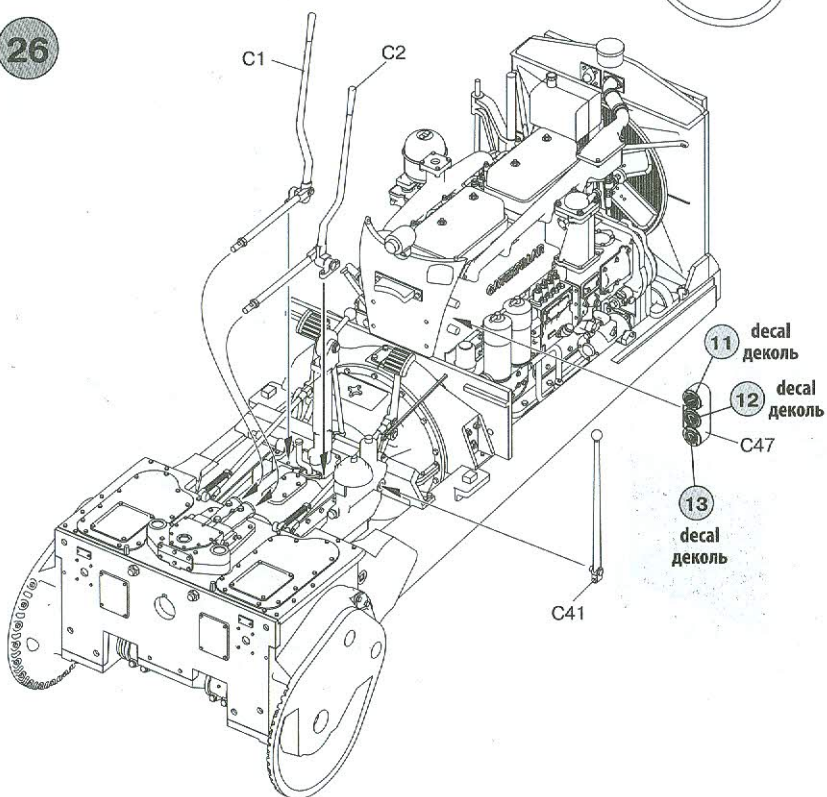
24



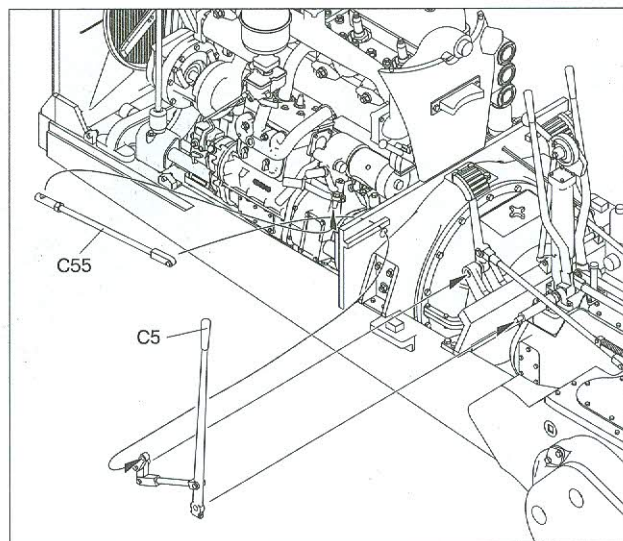
25

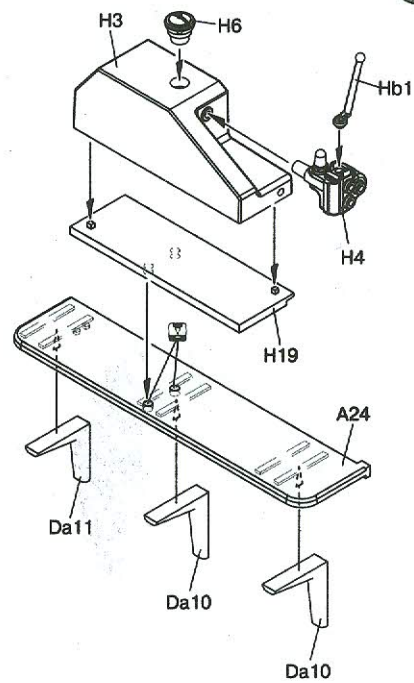
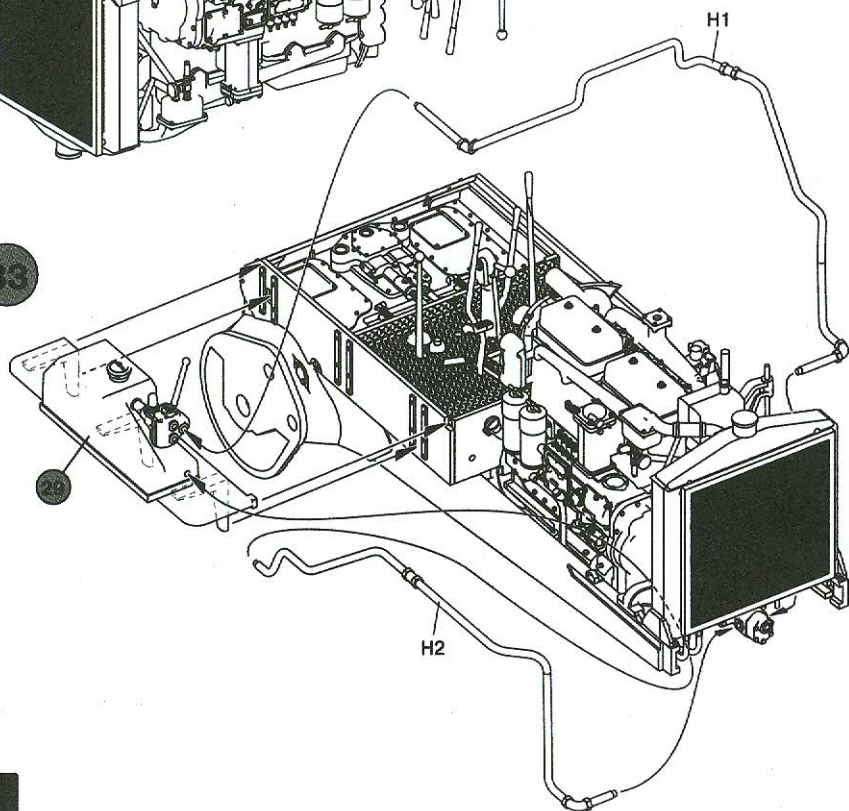
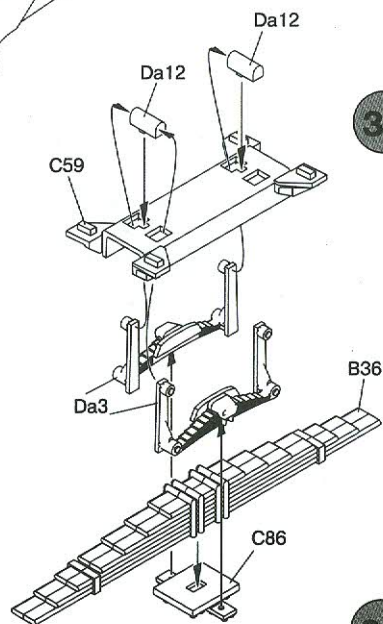
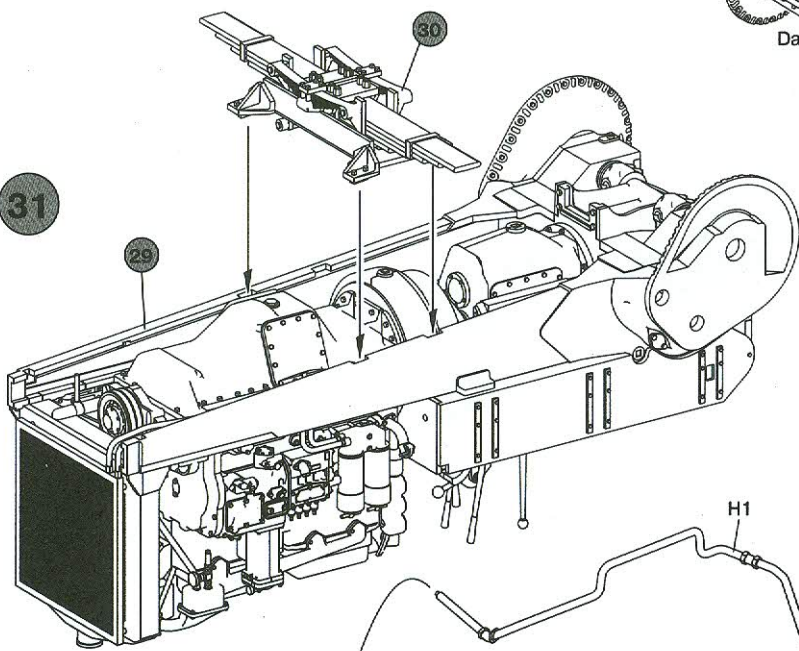
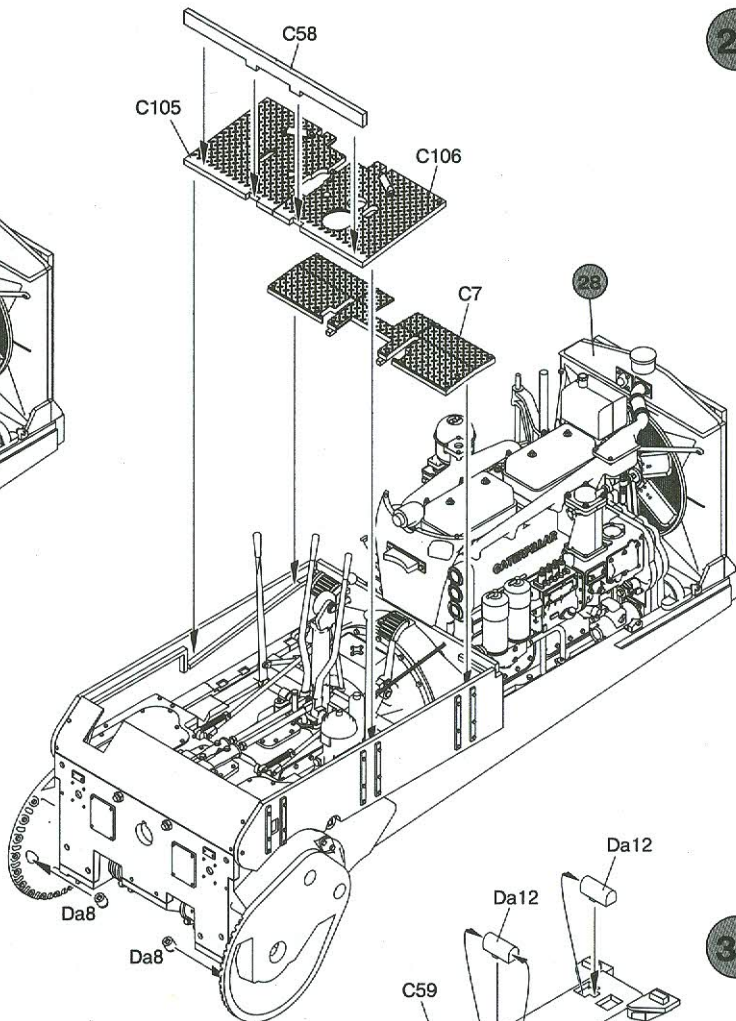
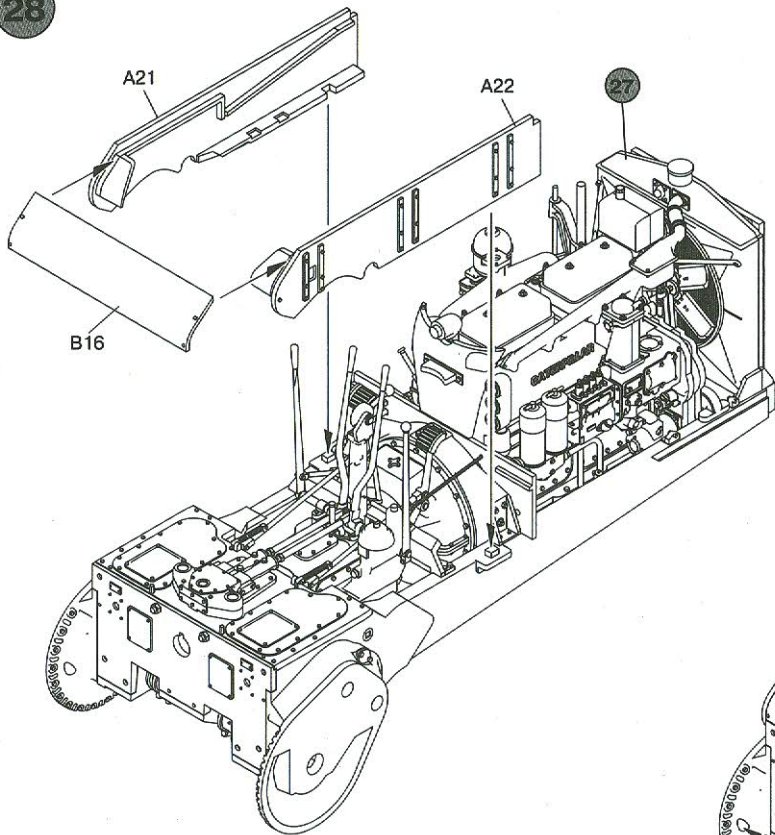


26

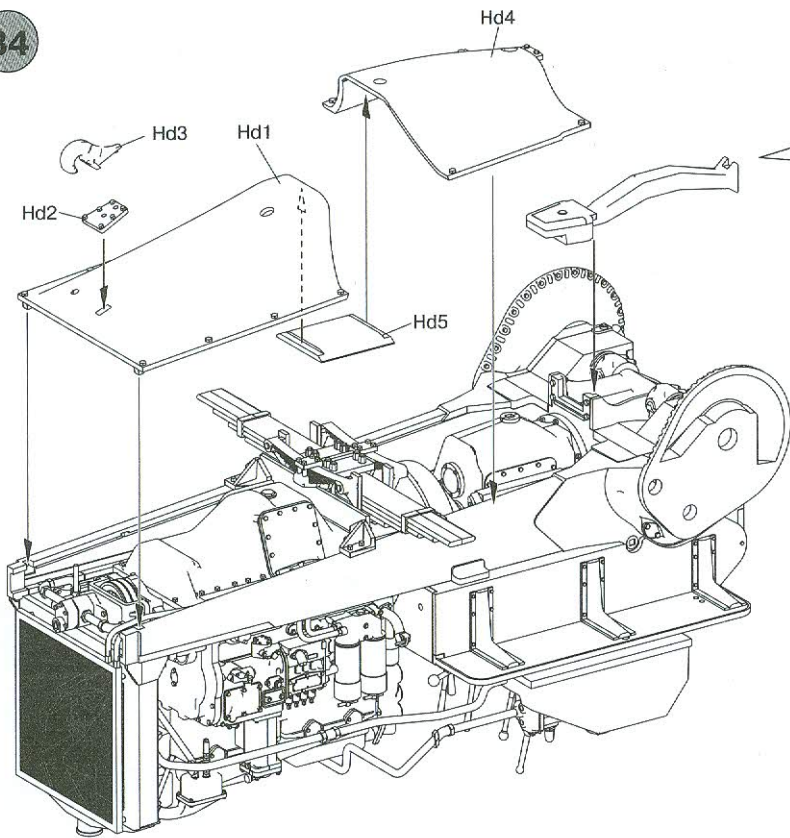


27

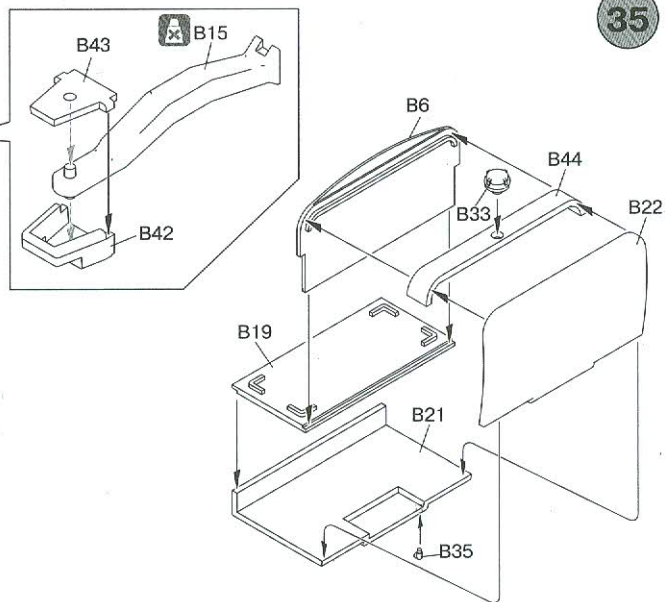




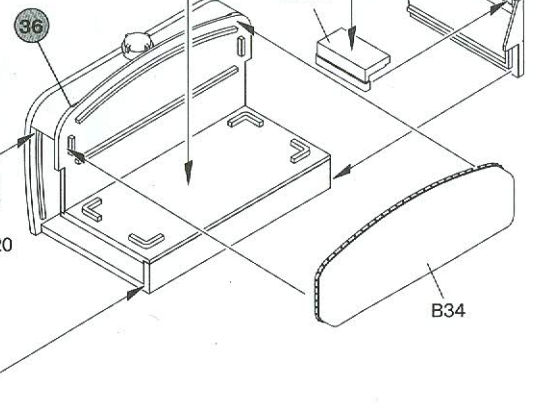
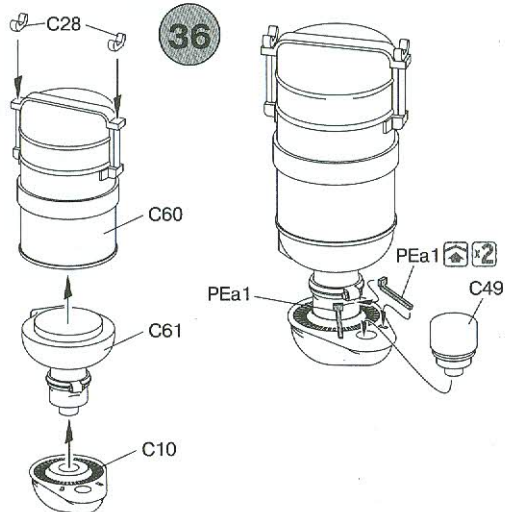
34



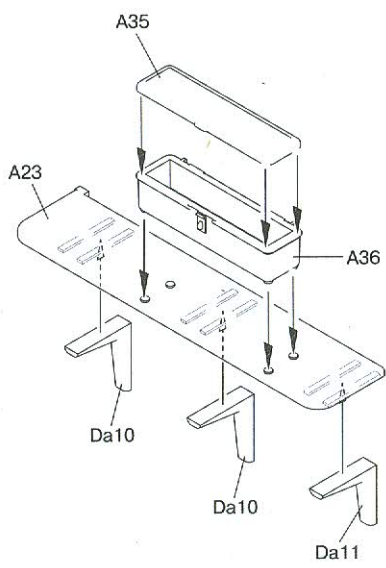
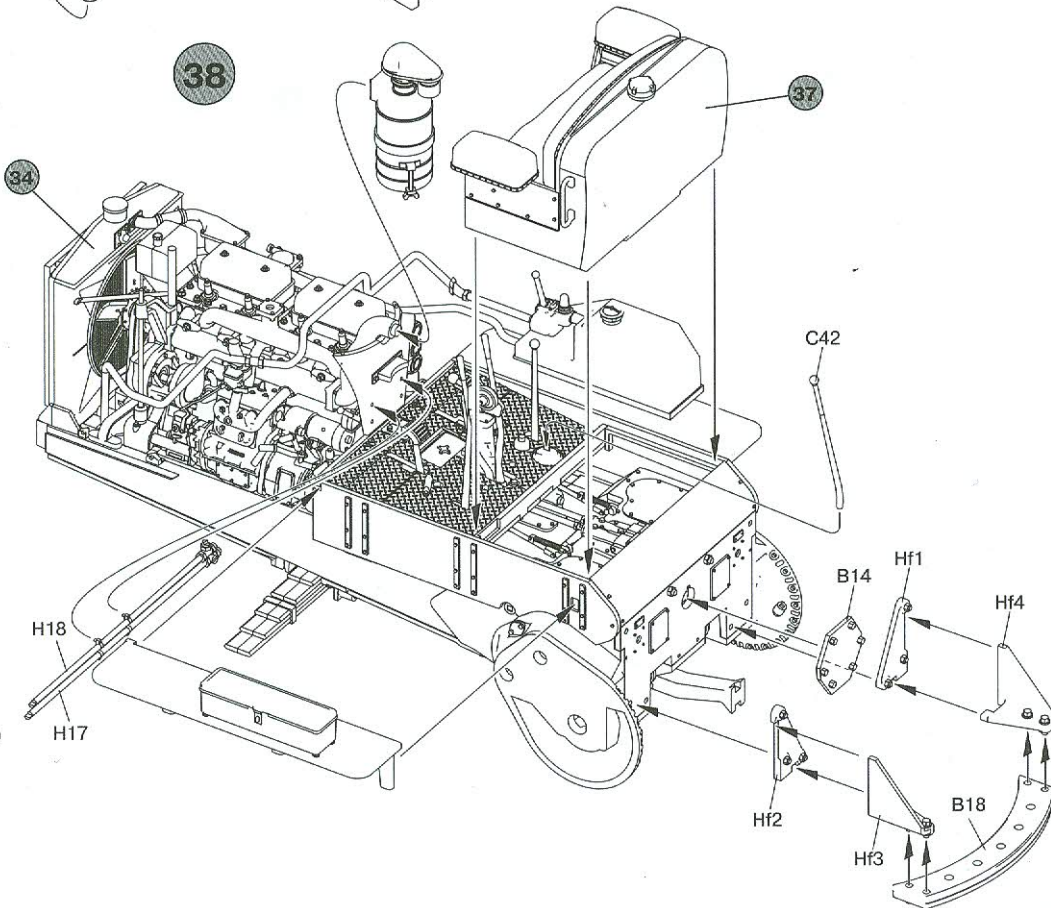
35

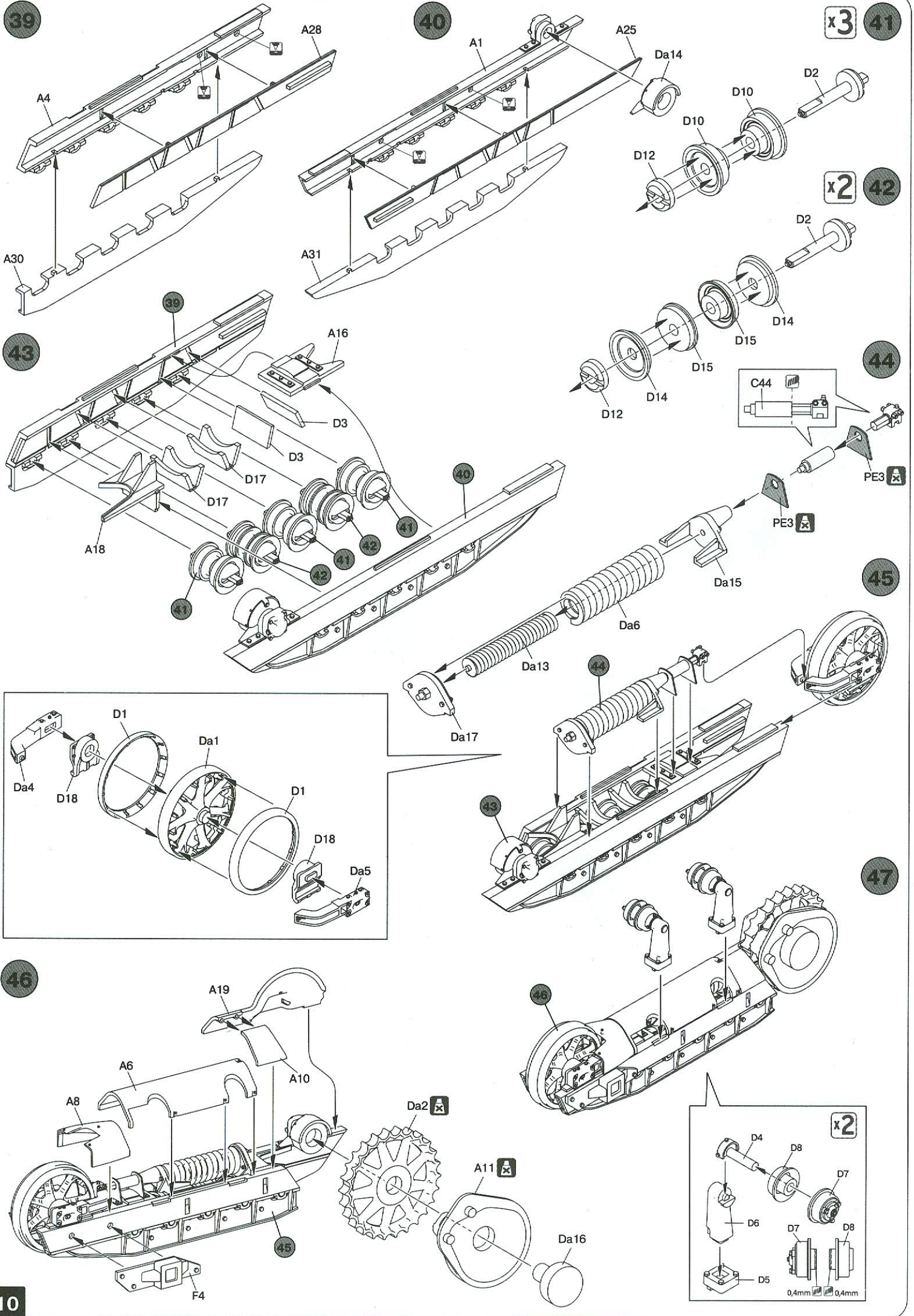


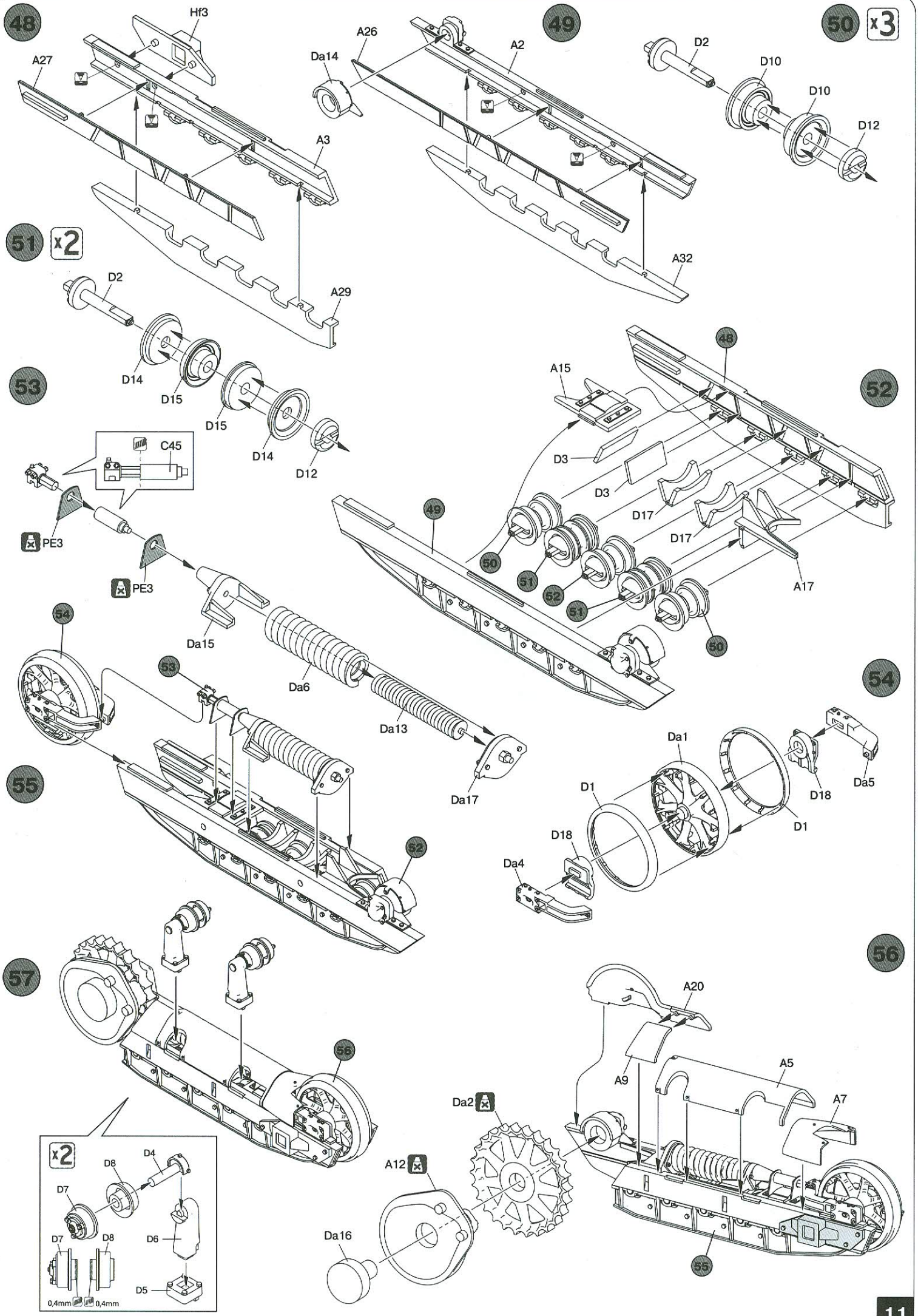
36



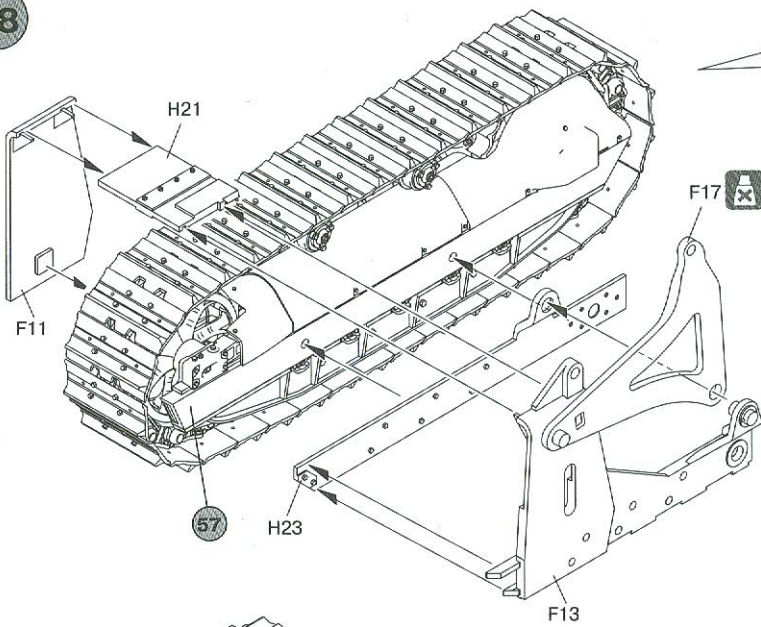
38



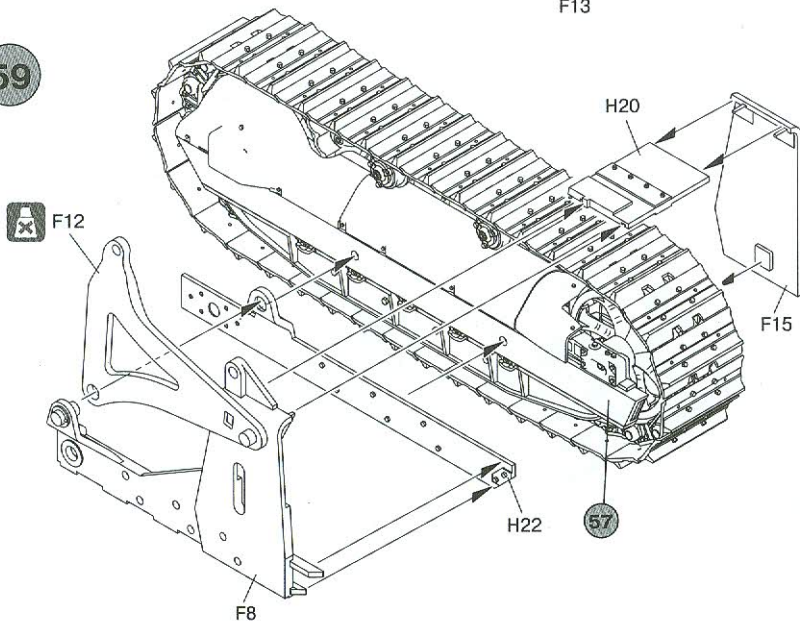




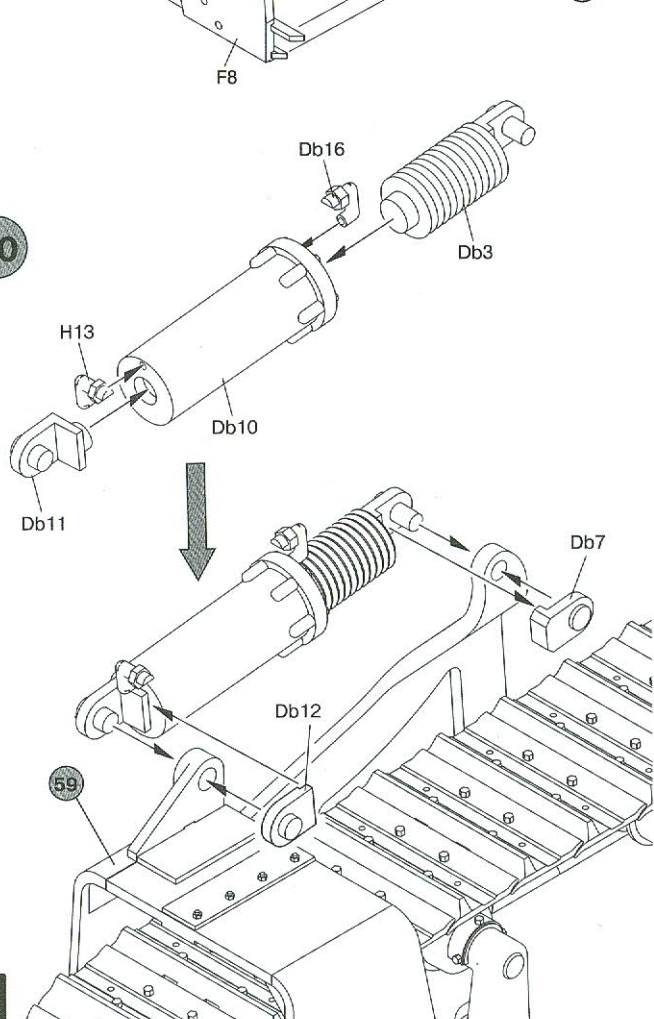
58



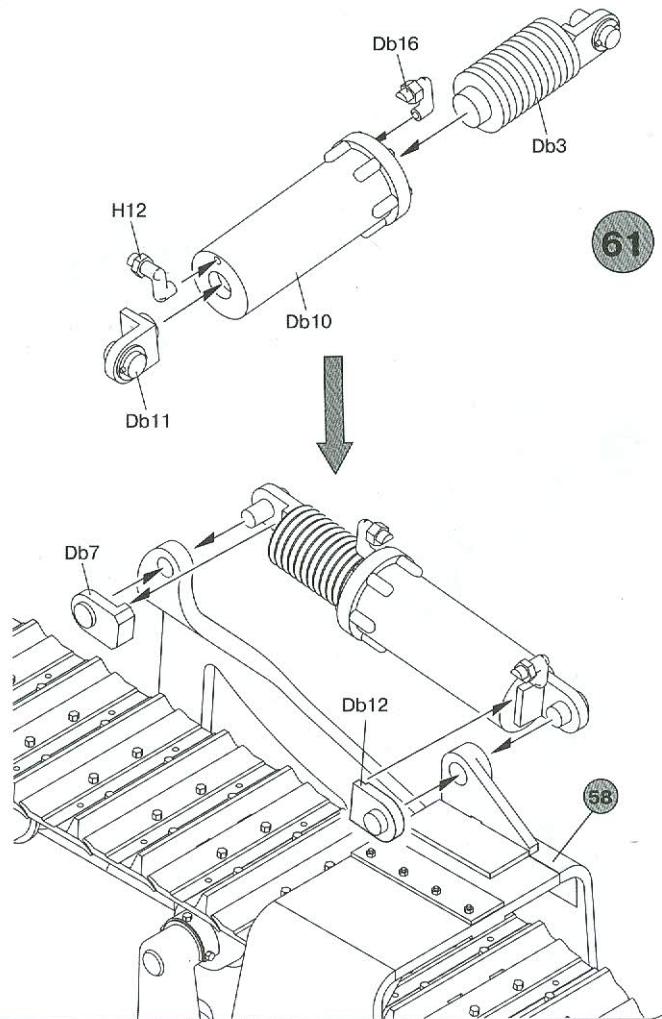
59



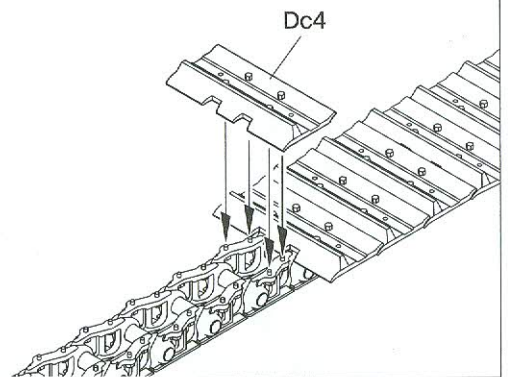
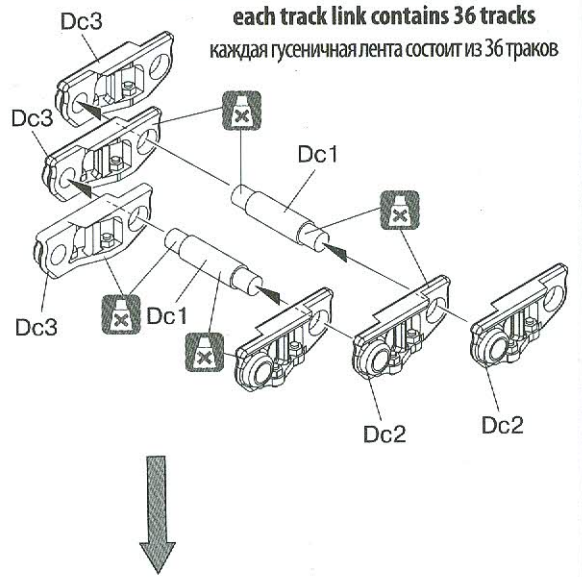
60

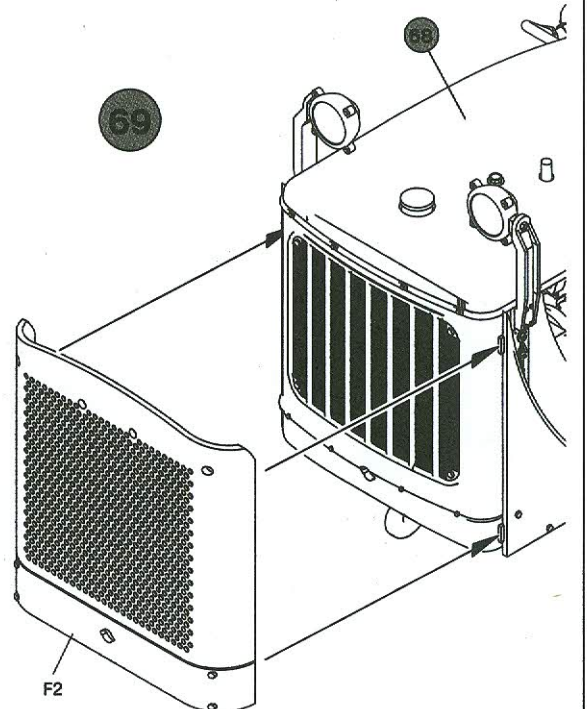
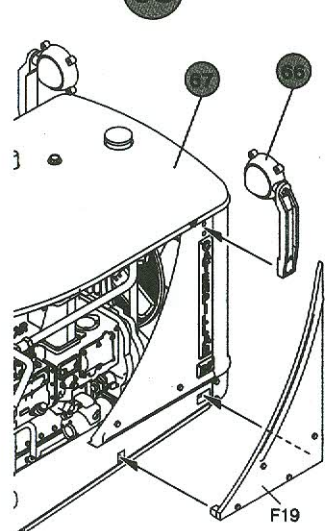
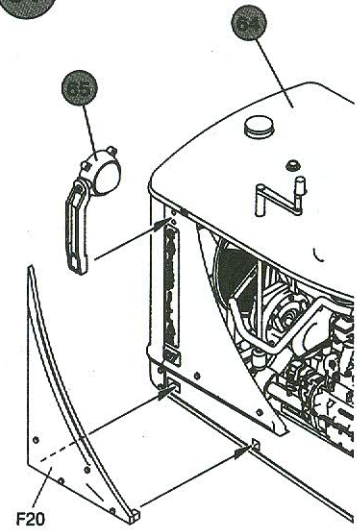
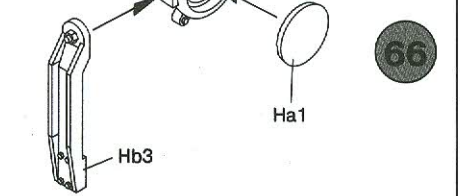
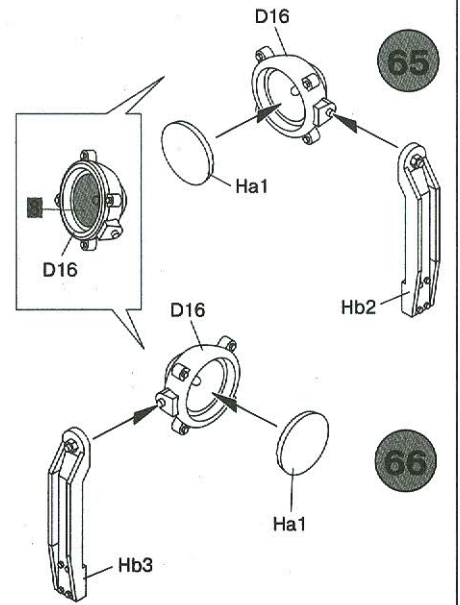
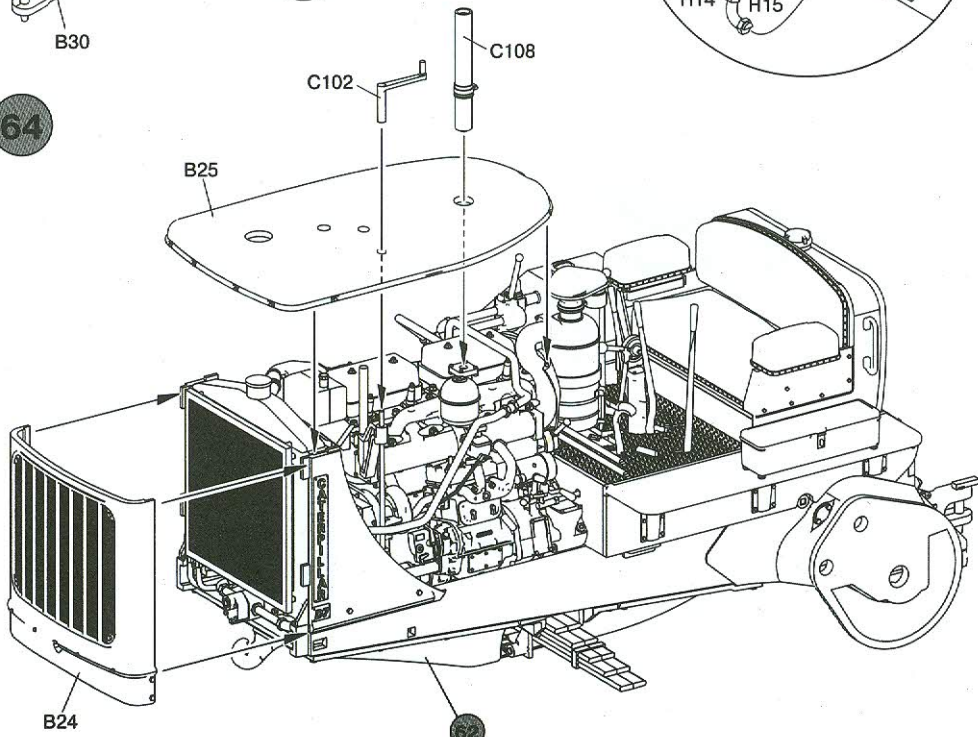
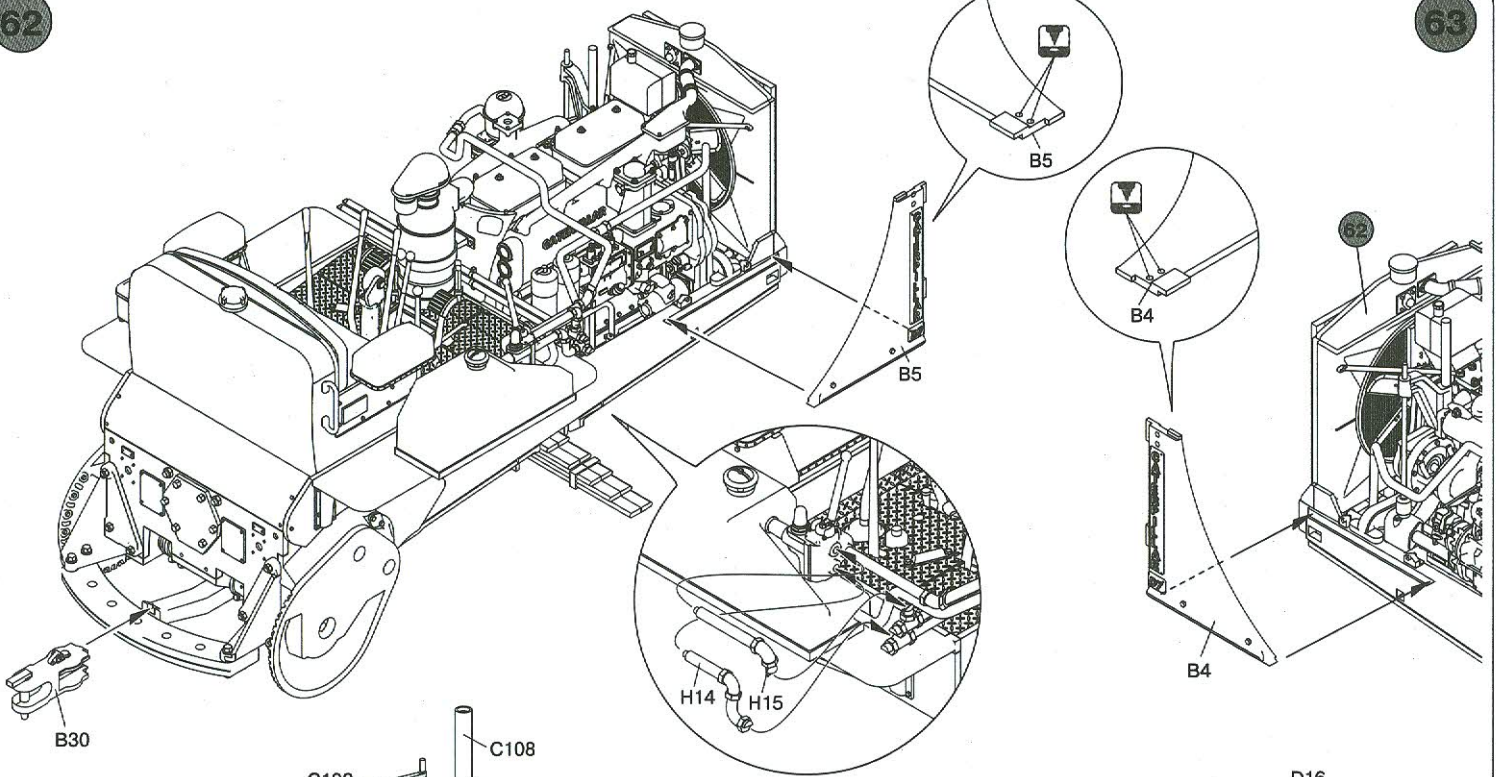


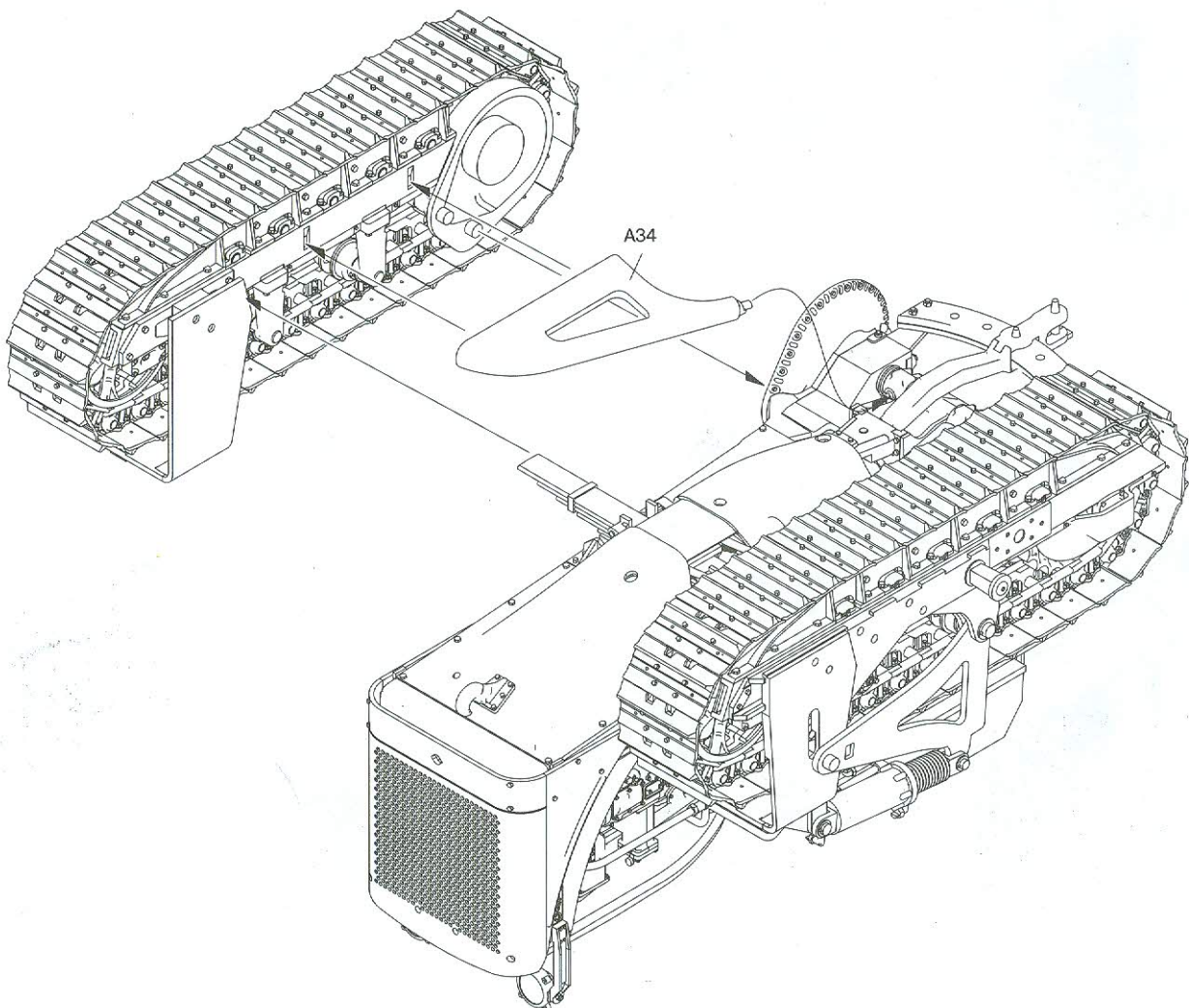
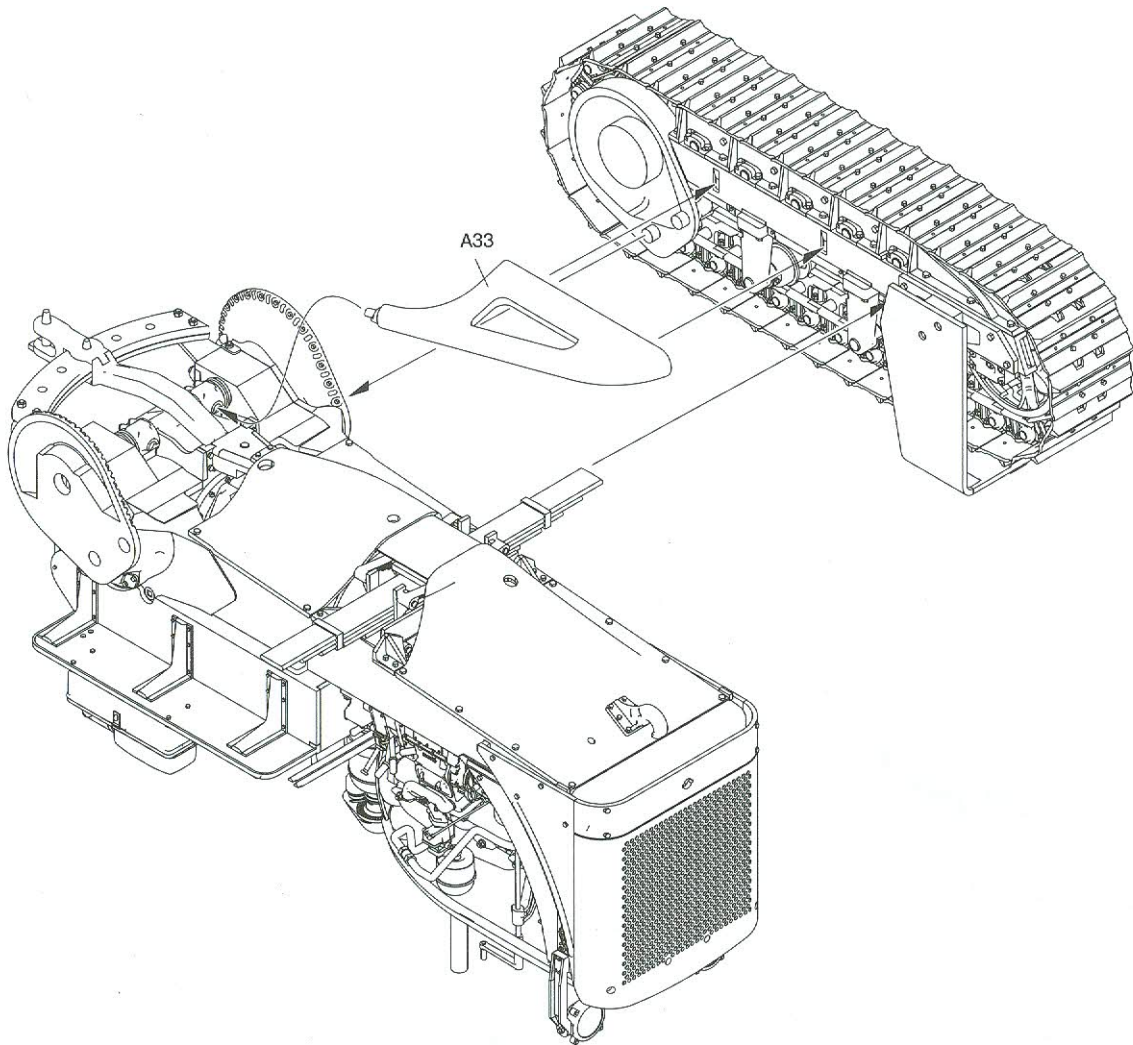
61



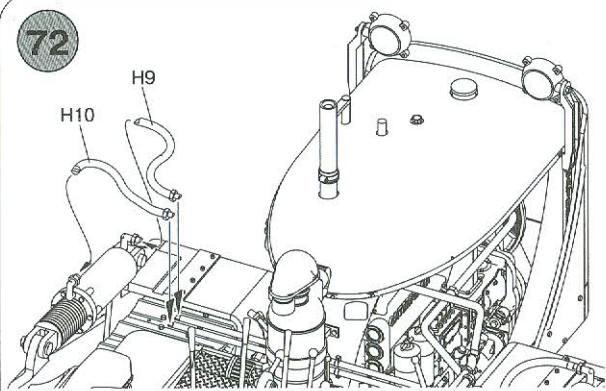
each track link contains 36 tracks
каждая гусеничная лента состоит из 36 траков



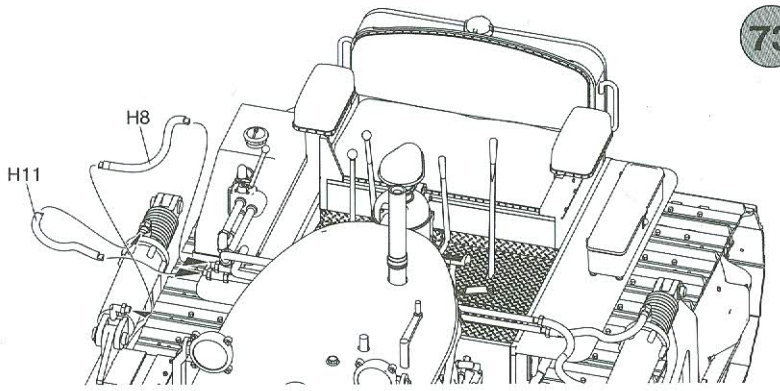




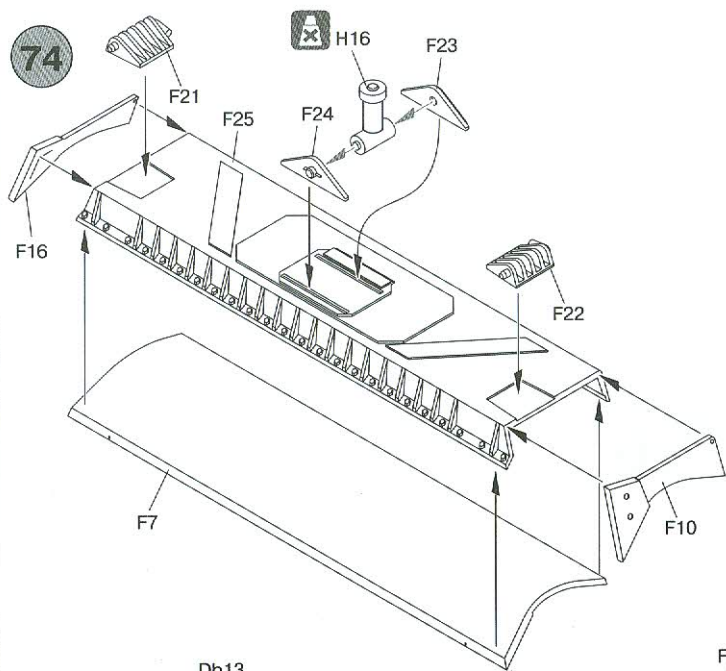
72



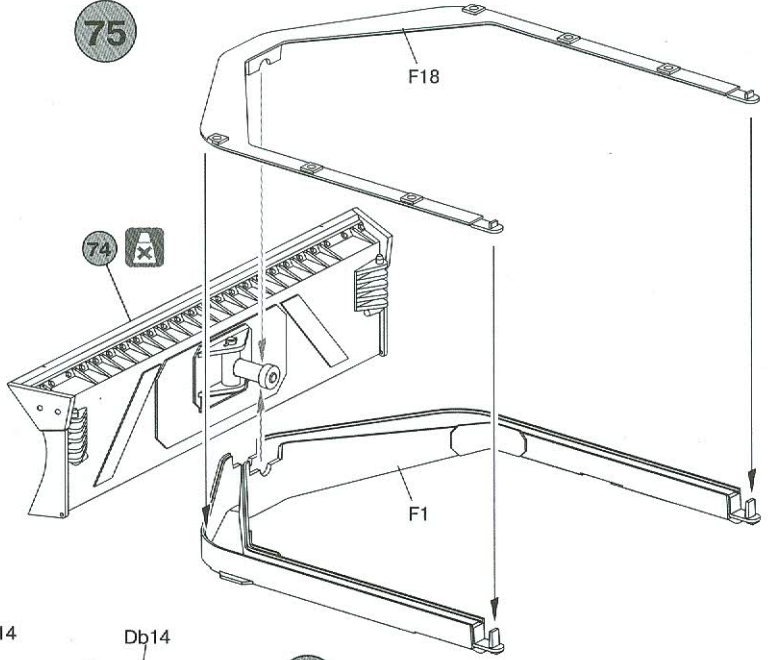
73



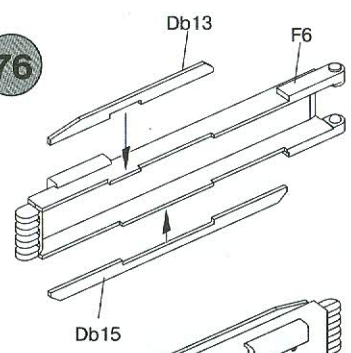
74



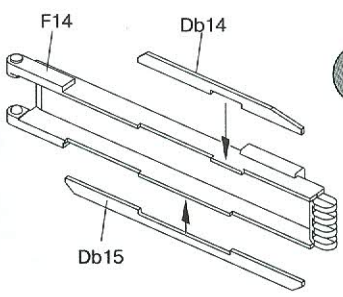
75



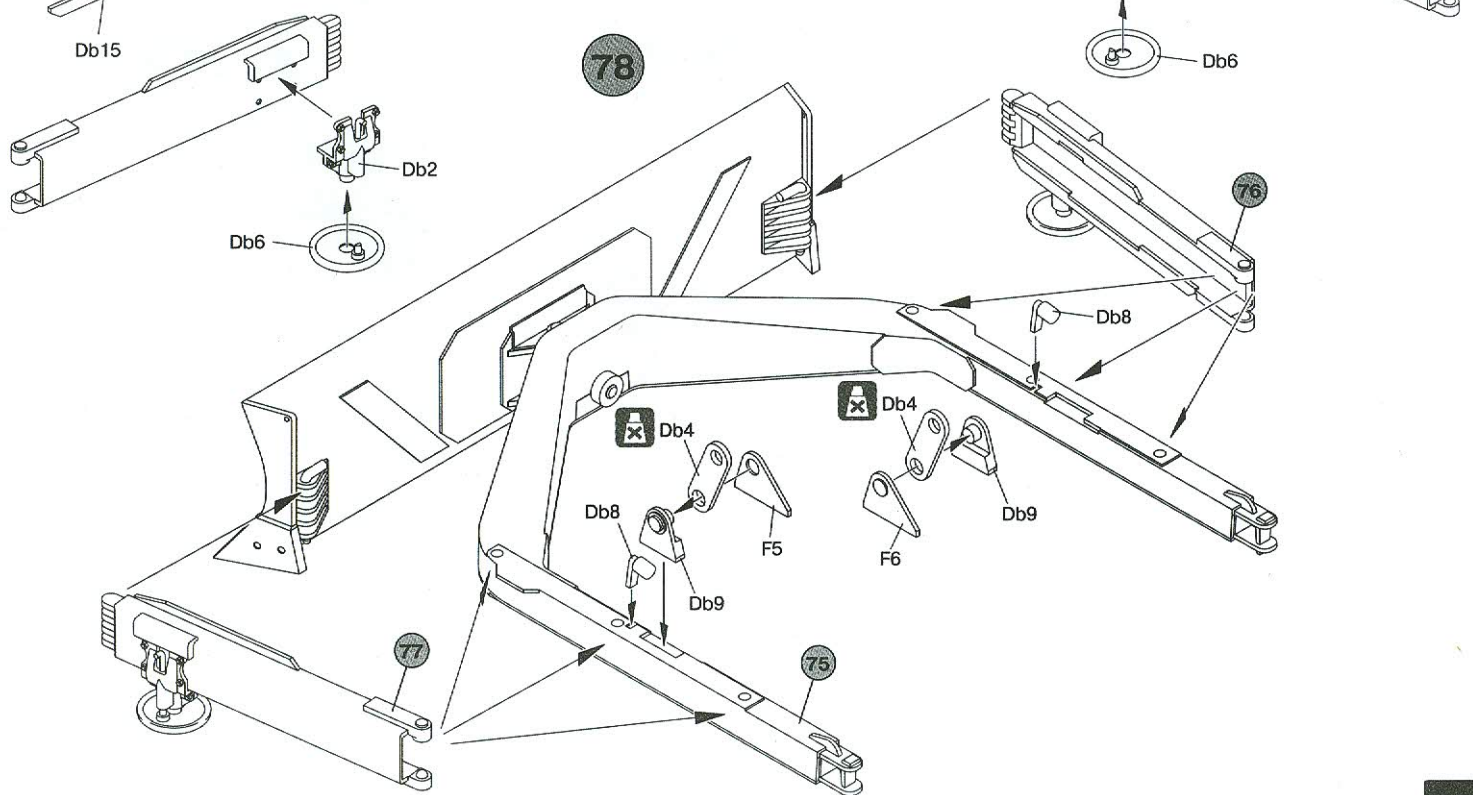
76

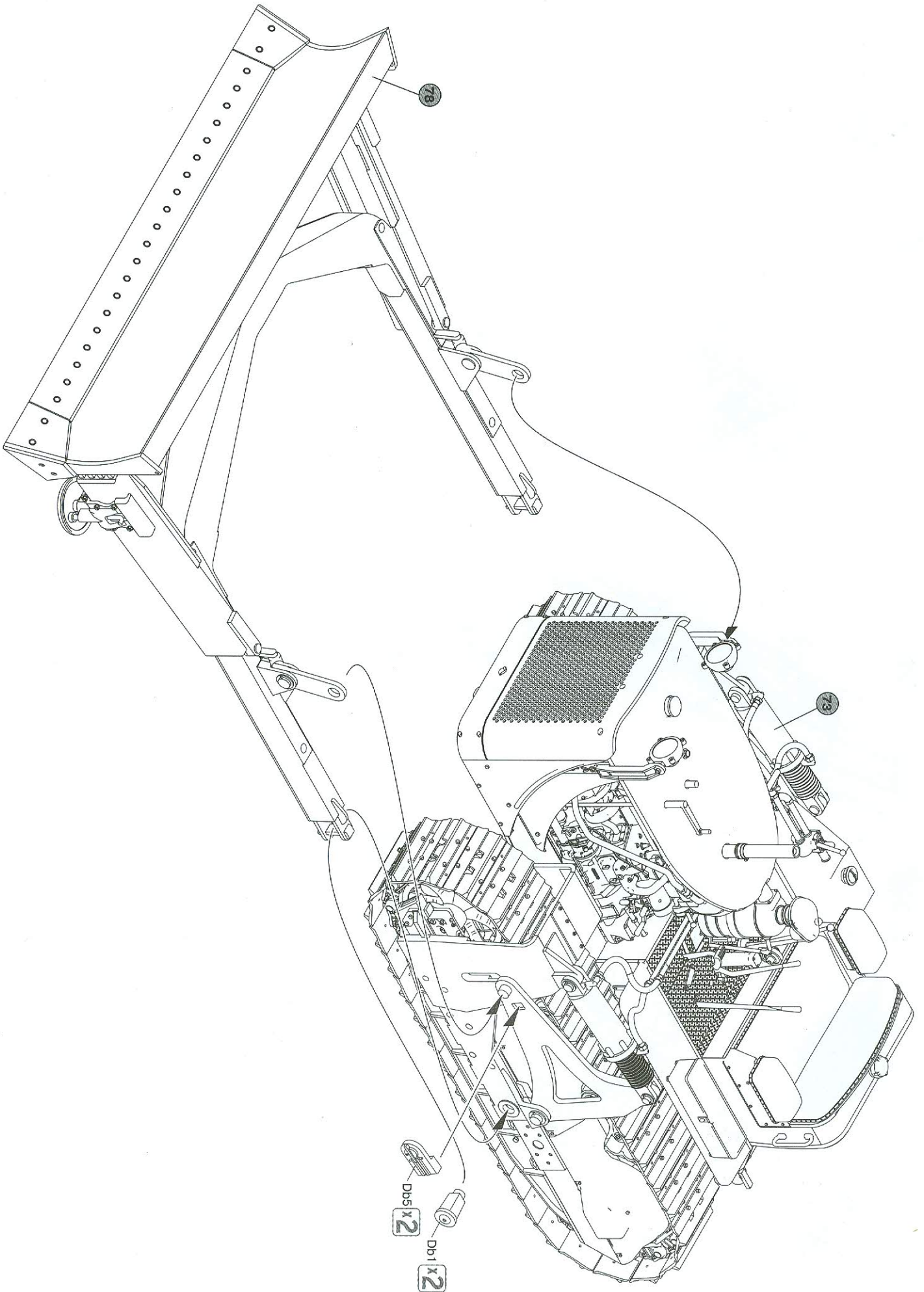


77



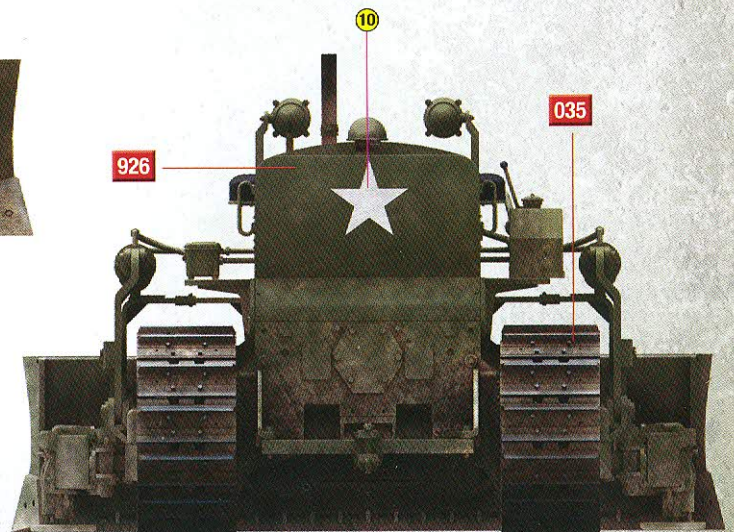
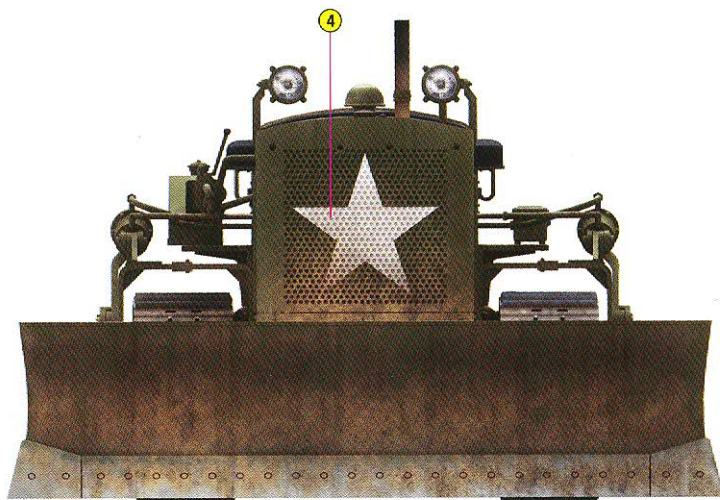
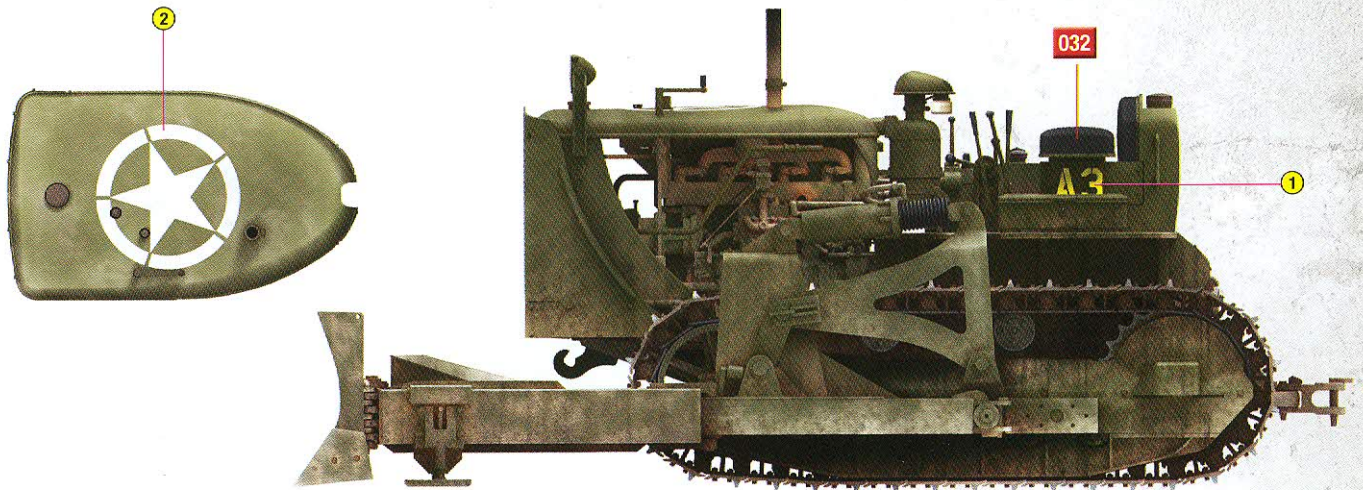
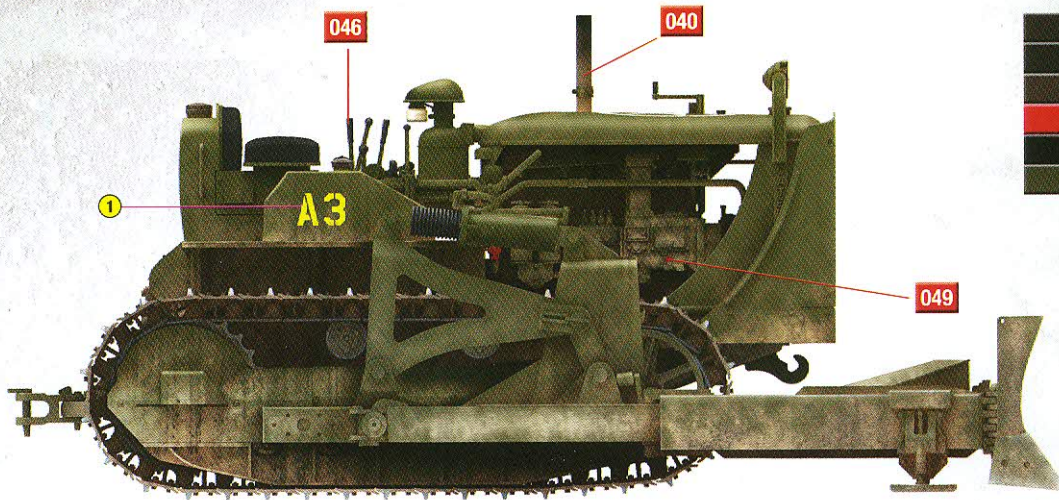
78





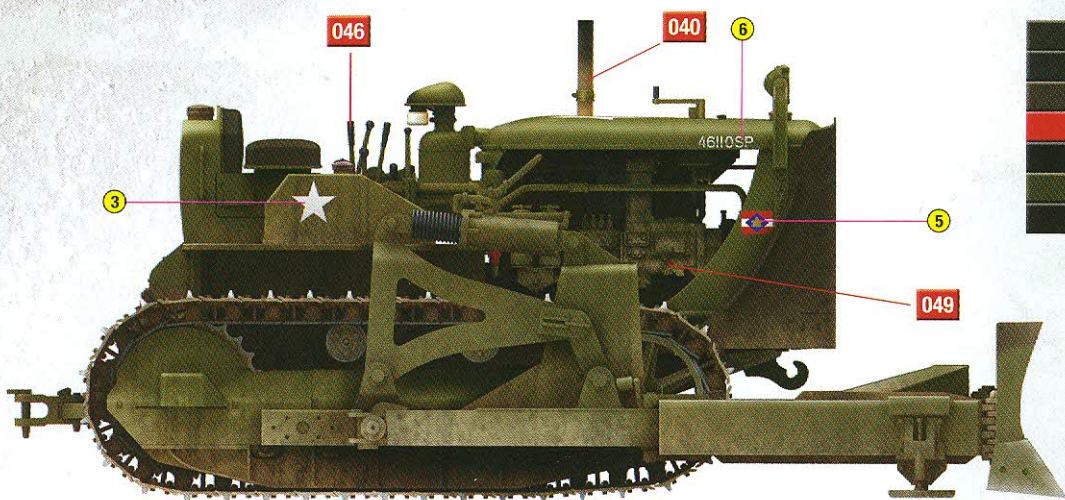
The U.S. Army, France. Summer 1944.
 Армия США, Франция. Лето 1944 года.

COLOR NAME	AMMO
Medium Rust	A.MIG-040
Dark Tracks	A.MIG-035
Satin Black	A.MIG-032
Red	A.MIG-049
Matt Black	A.MIG-046
Olive Drab Base	A.MIG-926

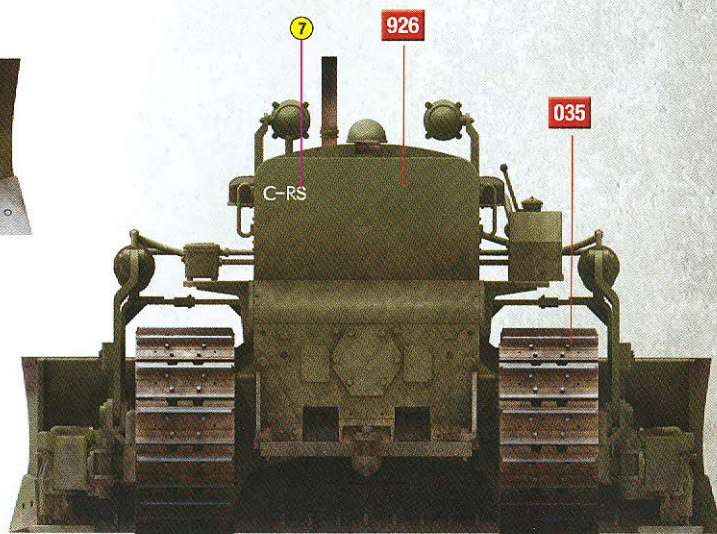
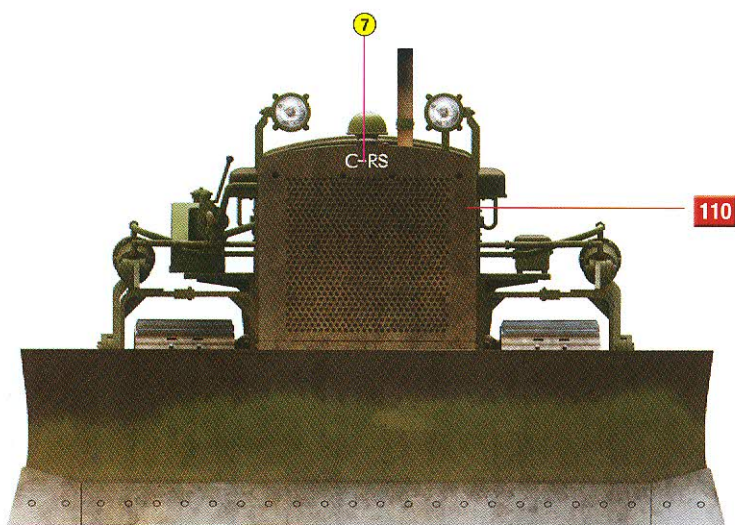
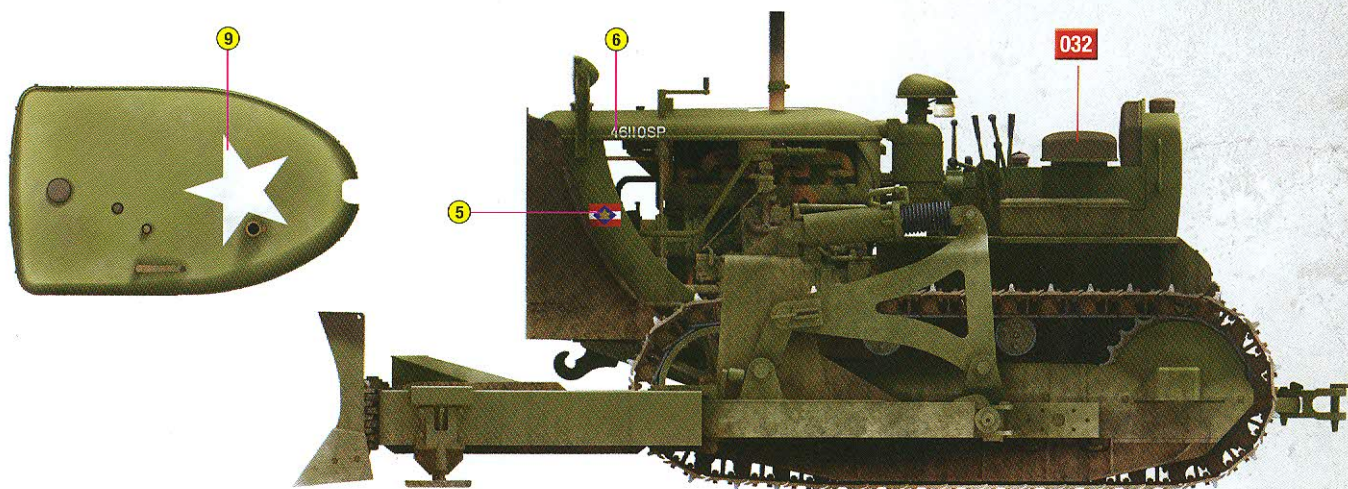


The Royal Engineers Battalion of the 2nd Canadian Corps., Falaise, France. Summer 1944.

Батальон королевских инженеров 2-го Канадского корпуса, Фалез, Франция. Лето 1944 года.

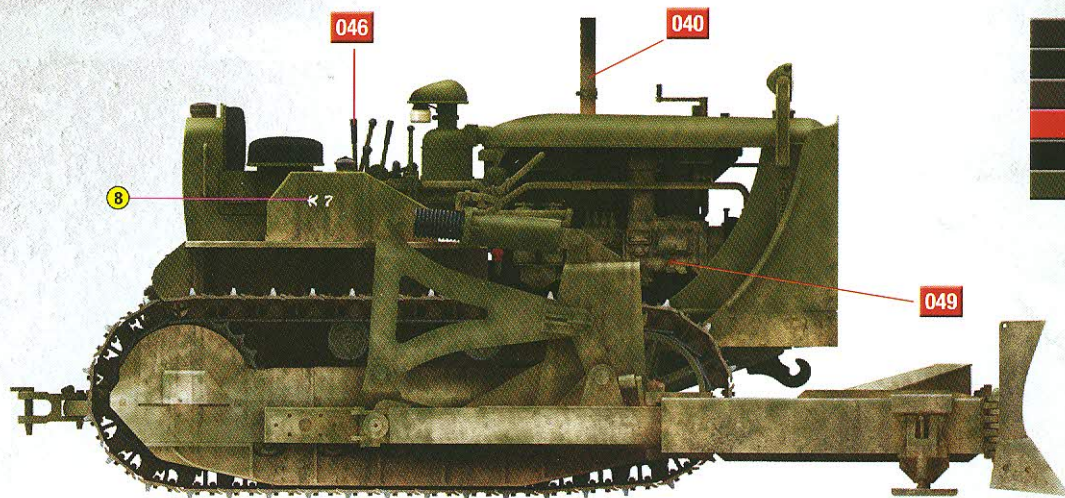


PAINT NAME	AMMO
Medium Rust	A.MIG-040
Dark Tracks	A.MIG-035
Satin Black	A.MIG-032
Red	A.MIG-049
Matt Black	A.MIG-046
Olive Drab Base	A.MIG-926
British Brown	A.MIG-110

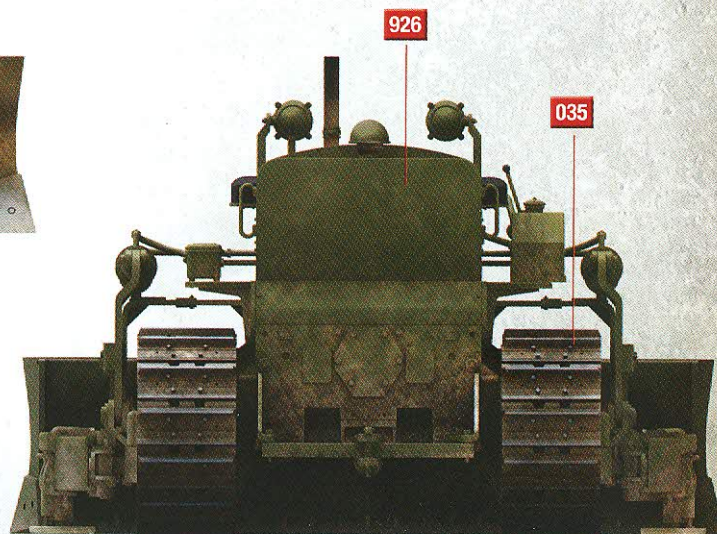
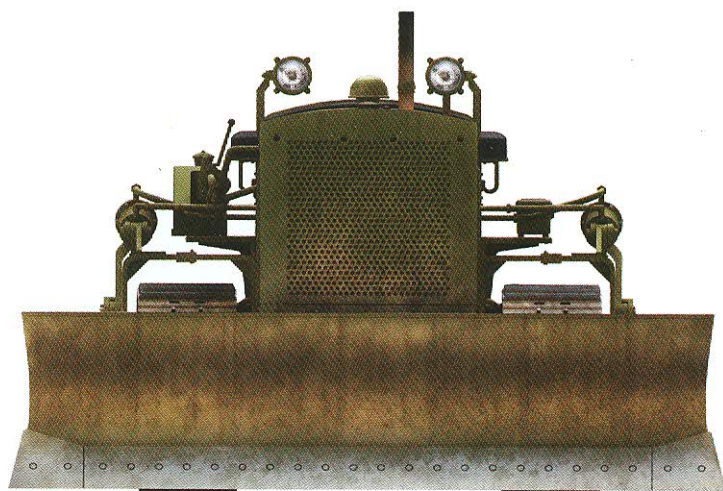
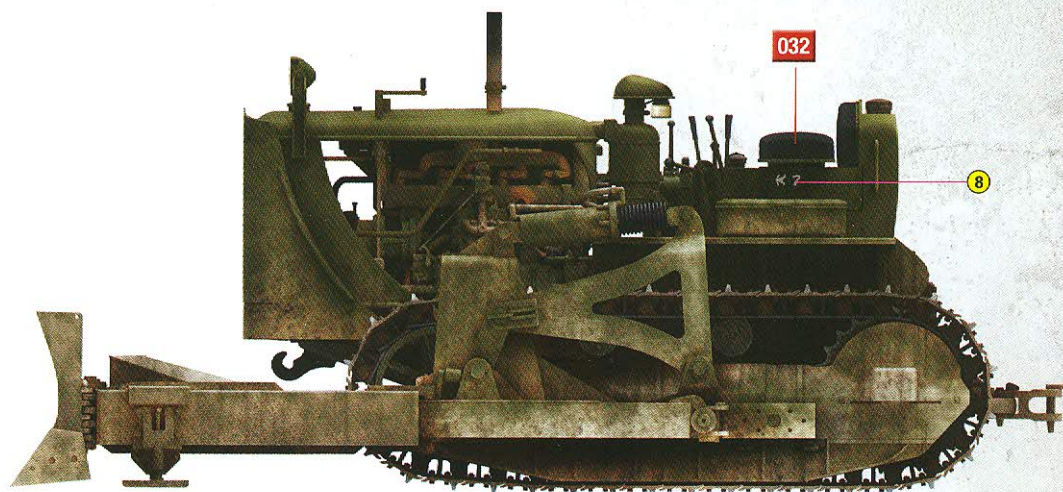


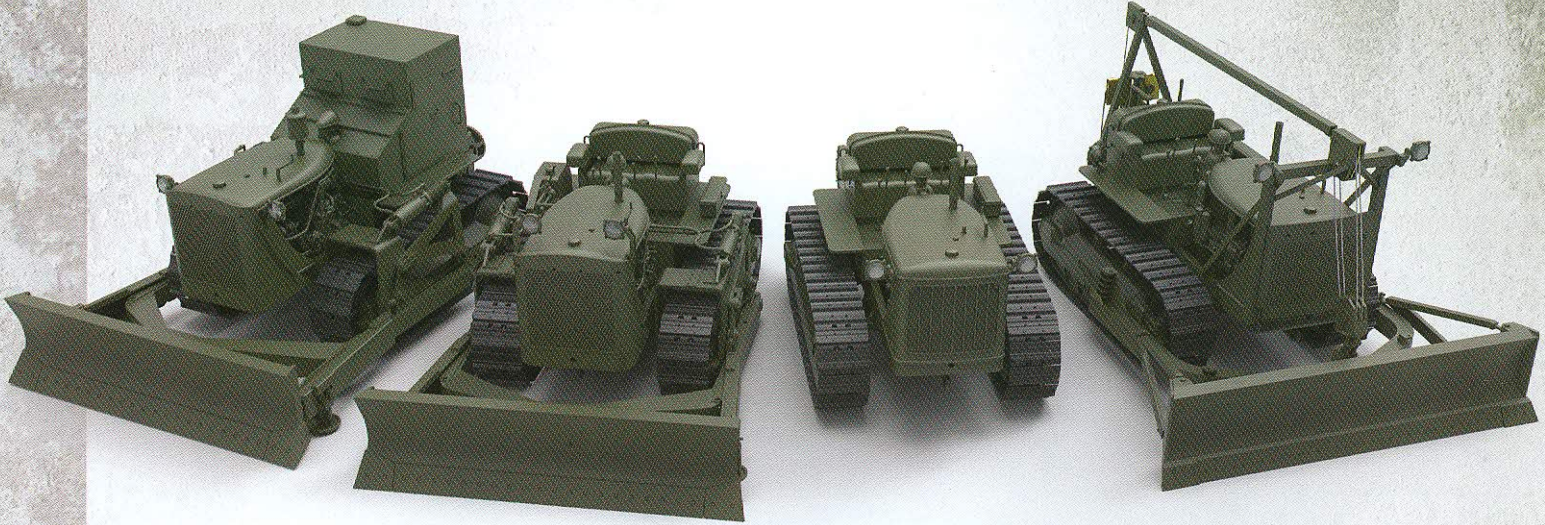
1304th Engineer Battalion of the U.S. Army, construction of Ledo Road (from India to China), 1944.

1304-й инженерный батальон армии США, строительство дороги Ледо. Индия-Бирма-Китай. 1944 год.



COLOR NAME	ACRND
Medium Rust	A.MIG-040
Dark Tracks	A.MIG-035
Satin Black	A.MIG-032
Red	A.MIG-049
Matt Black	A.MIG-046
Olive Drab Base	A.MIG-926

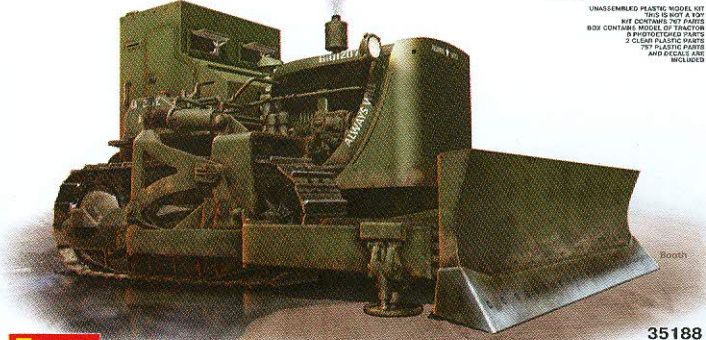




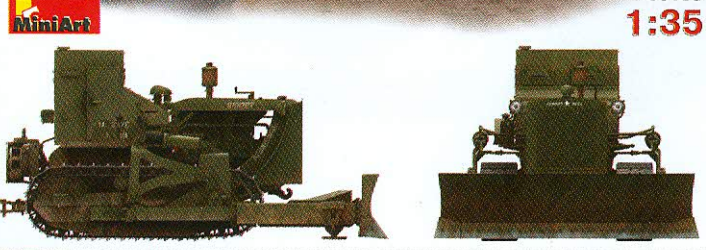
U.S. ARMOURD BULLDOZER

WW II MILITARY MINIATURES SERIES

UNASSEMBLED PLASTIC MODEL KIT THIS IS NOT A TOY KIT CONTAINS 797 PARTS BOX CONTAINS MODEL OF TRACTOR 8 PHOTOGRAPHIC PARTS 2 CLEAR PLASTIC PARTS 797 PLASTIC PARTS AND SCALES ARE INCLUDED



35188
1:35

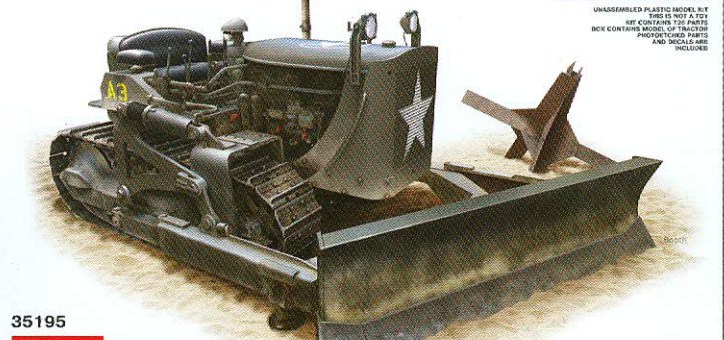


MiniArt

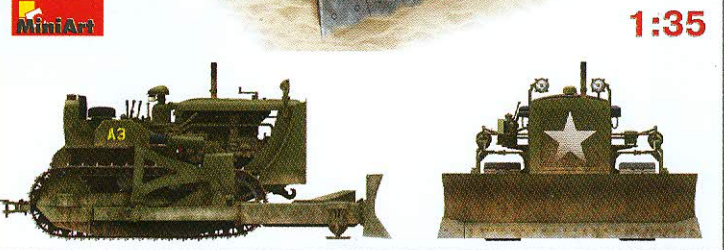
U.S. ARMY BULLDOZER

WW II MILITARY MINIATURES SERIES

UNASSEMBLED PLASTIC MODEL KIT THIS IS NOT A TOY KIT CONTAINS 797 PARTS BOX CONTAINS MODEL OF TRACTOR 8 PHOTOGRAPHIC PARTS 2 CLEAR PLASTIC PARTS AND SCALES ARE INCLUDED



35195
1:35

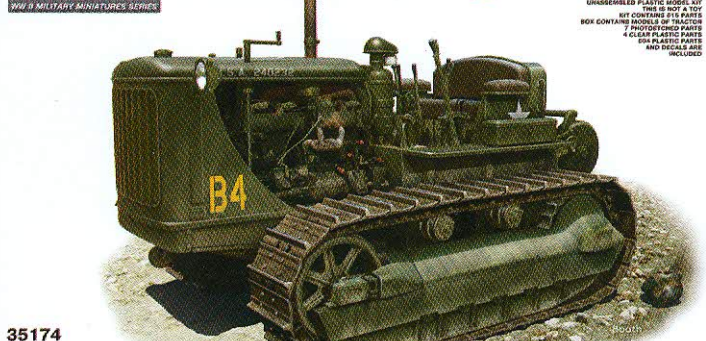


MiniArt

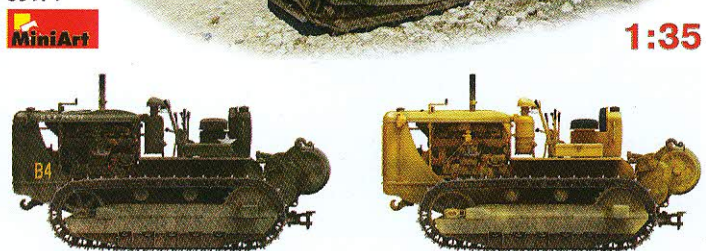
U.S. TRACTOR D7 w/Towing Winch D7N

WW II MILITARY MINIATURES SERIES

UNASSEMBLED PLASTIC MODEL KIT THIS IS NOT A TOY KIT CONTAINS 815 PARTS BOX CONTAINS MODEL OF TRACTOR 7 PHOTOGRAPHIC PARTS 4 CLEAR PLASTIC PARTS 815 PLASTIC PARTS AND SCALES ARE INCLUDED



35174
1:35

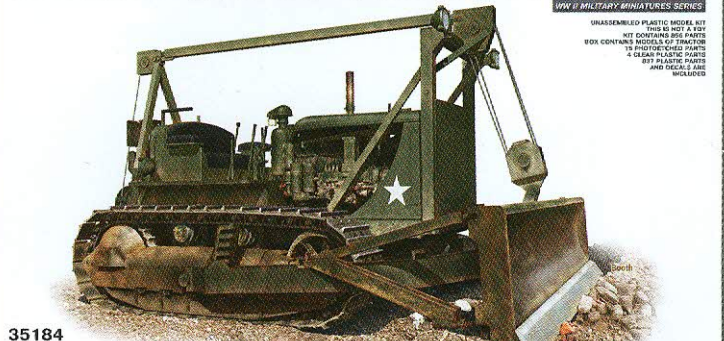


MiniArt

U.S. ARMY TRACTOR w/ANGLED DOZER BLADE

WW II MILITARY MINIATURES SERIES

UNASSEMBLED PLASTIC MODEL KIT THIS IS NOT A TOY KIT CONTAINS 895 PARTS BOX CONTAINS MODEL OF TRACTOR 13 PHOTOGRAPHIC PARTS 4 CLEAR PLASTIC PARTS 895 PLASTIC PARTS AND SCALES ARE INCLUDED



35184
1:35



MiniArt