

Wolfpack

www.wolfpack-d.com

F-5A Skoshi Tiger

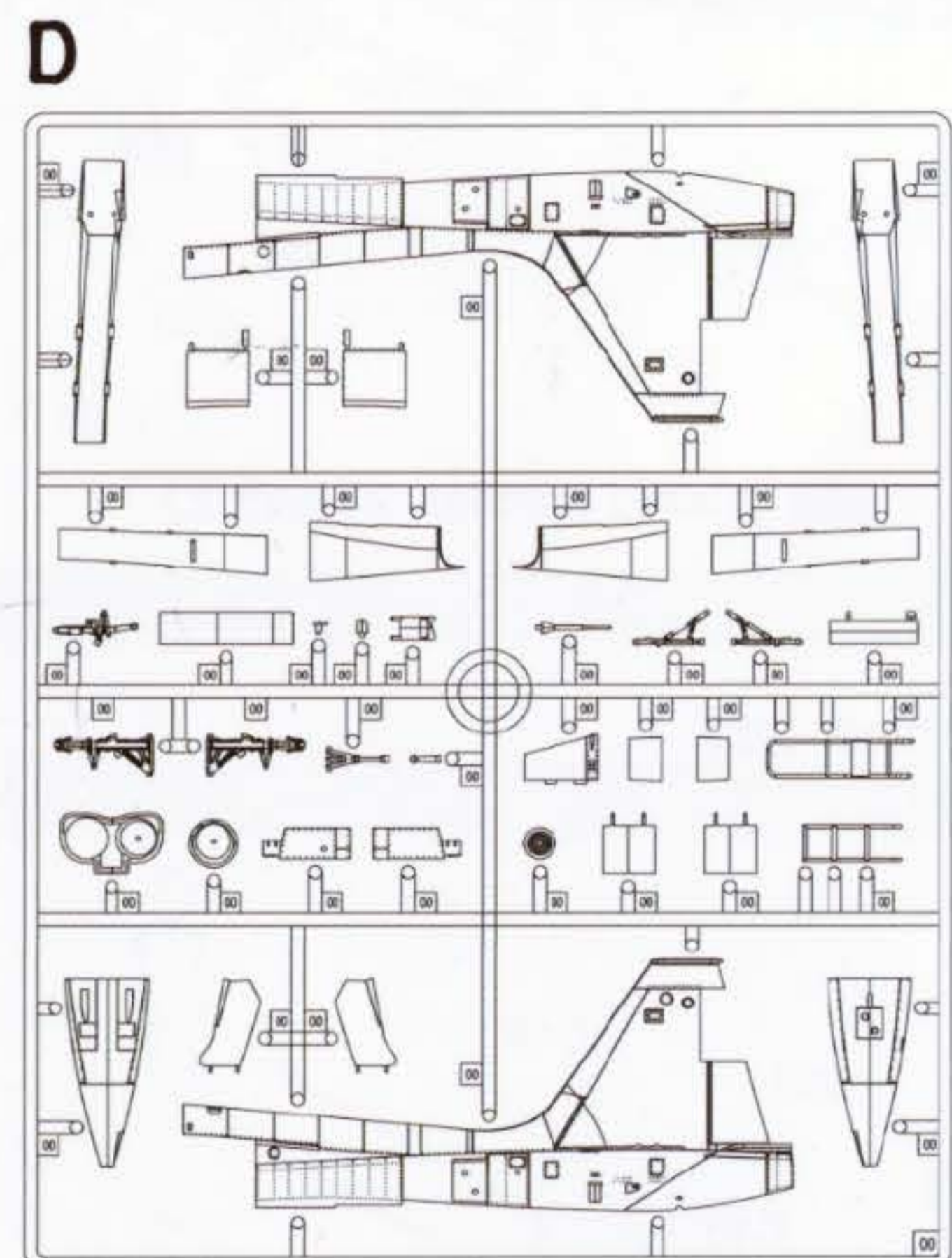
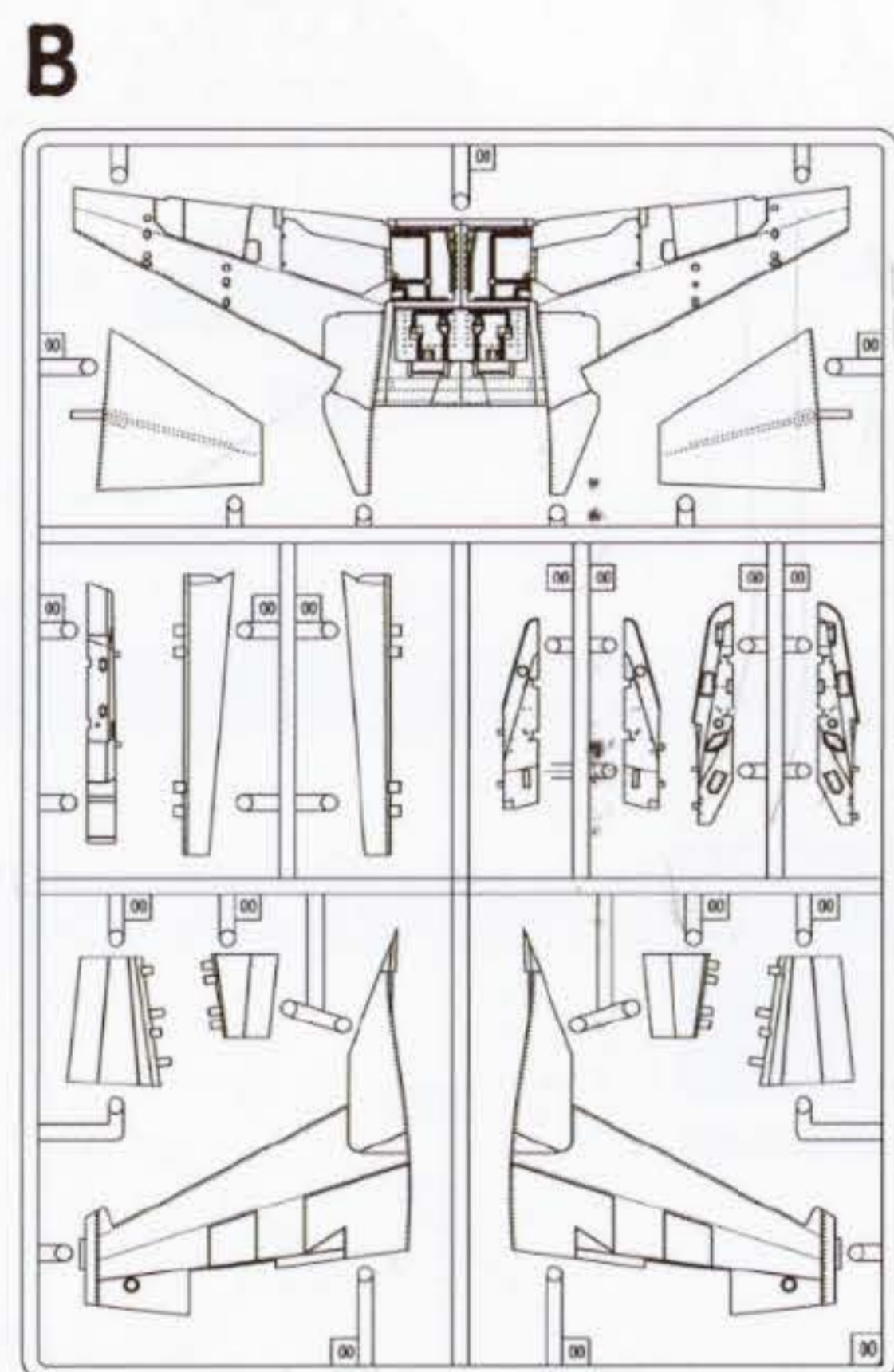
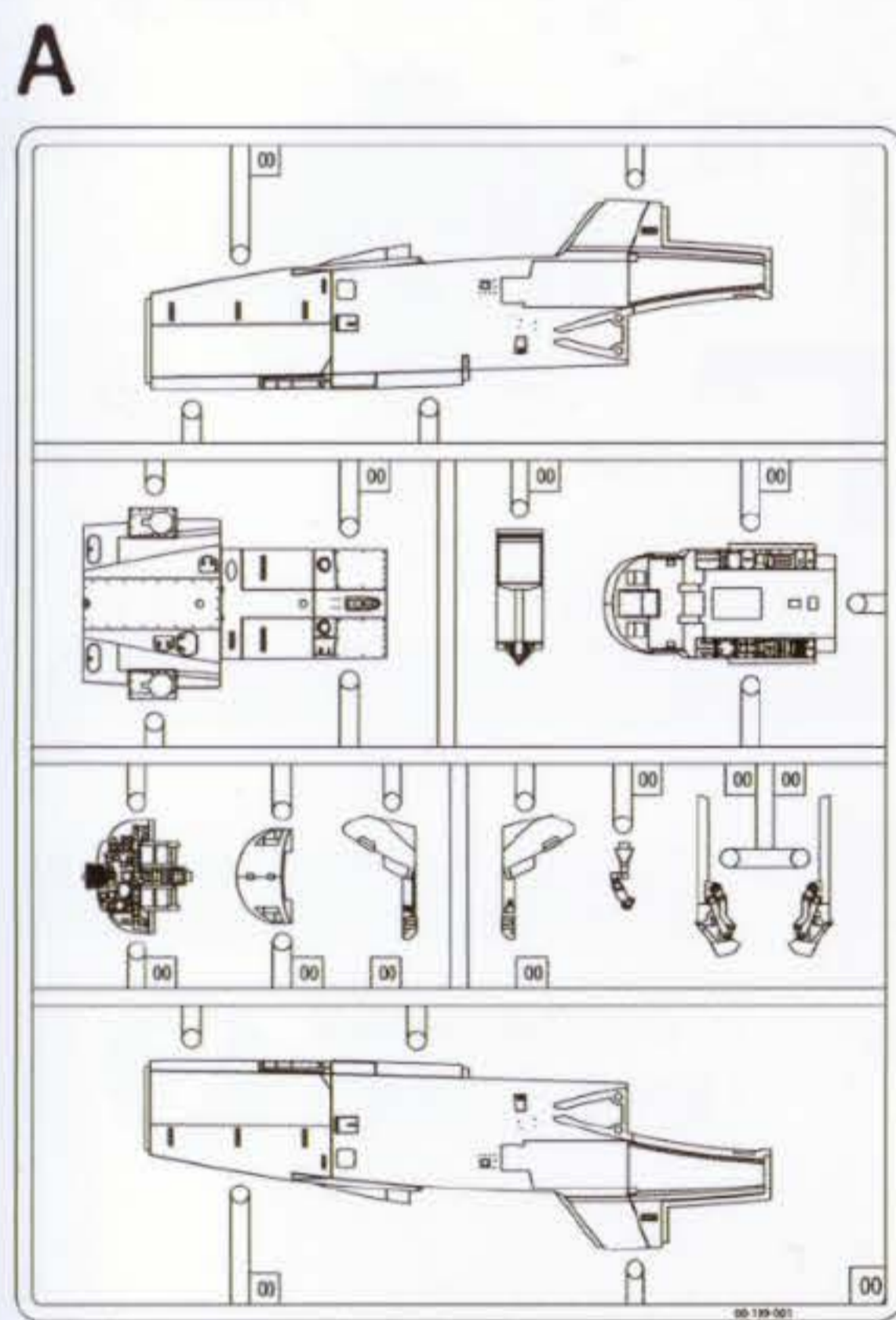
F-5A 스코시 타이거



1/48 Scale

The F-5A Freedom Fighter is a lightweight and low-cost sophisticated aircraft intended for air-to-ground operations. The F-5A first flew in 1959 and entered service in the 1960s. Standard armament included 2 M39 20mm cannons with additional pods or missile of up to 6,200 lbs on 5 hardpoints and 2 wingtips.

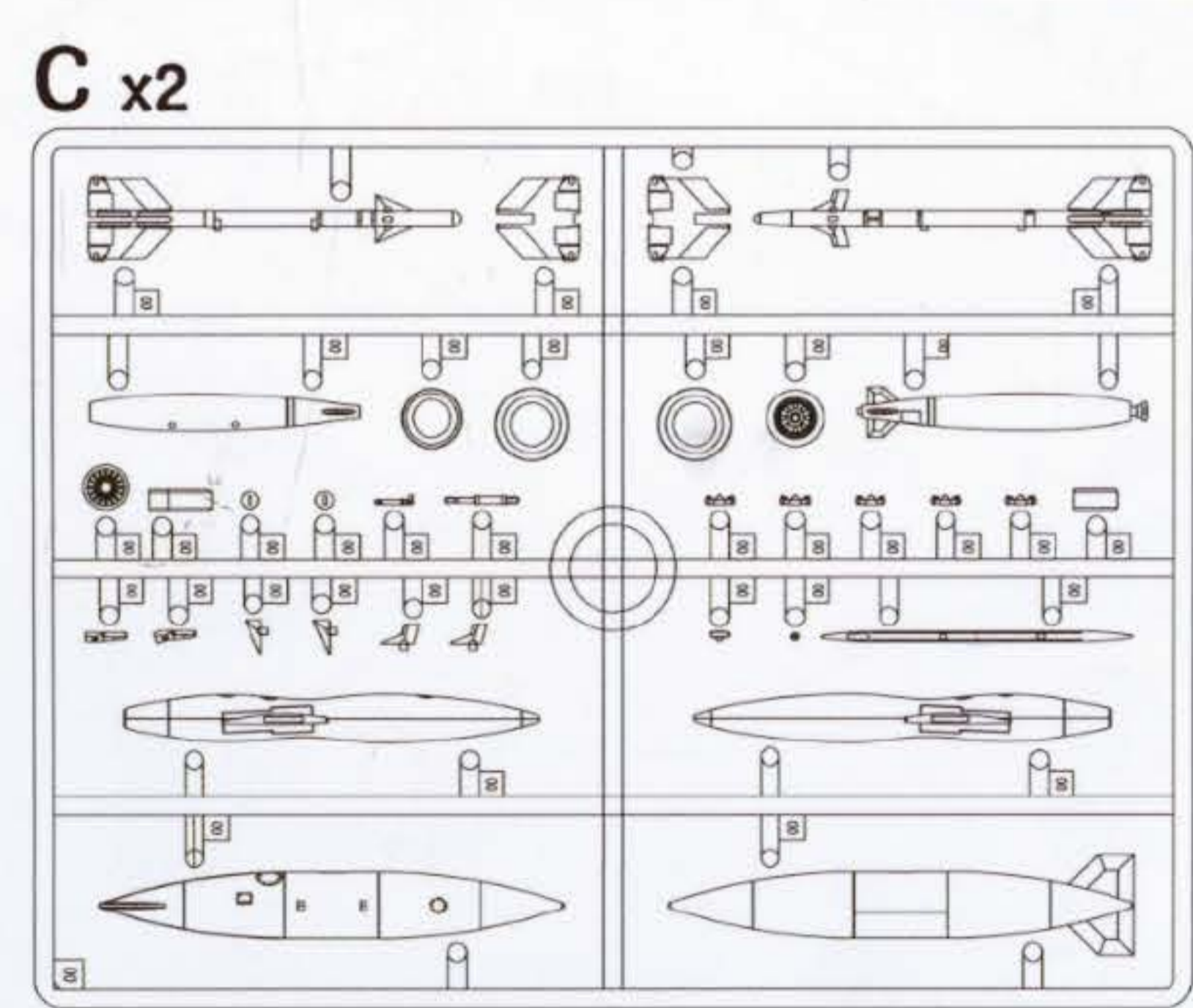
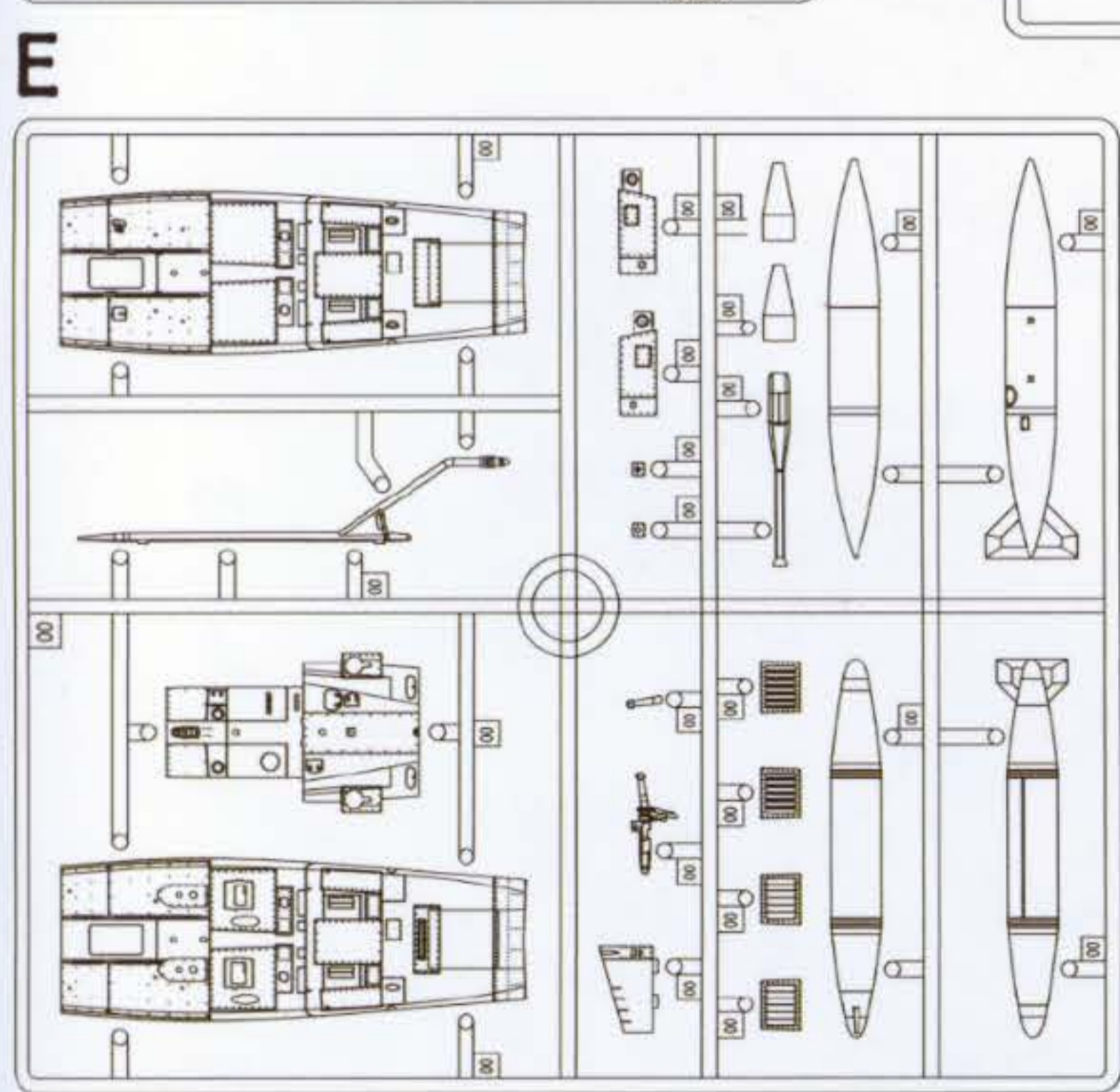
The USAF was started an evaluation program for F-5 in July 1966, name was "Skoshi Tiger" The first F-5s actually procured first the USAF went to the 4503rd TFS in Bien Hoa AFV in South Vietnam, an all volunteer group which was activated at Williams AFB. The F-5A belong USAF in Vietnam flew than 3,500 sorties, logging over 4,000 hous of combat time. Two F-5s were lost to enemy grind fire. Its outstanding performance led to Air Force study of an advaced version, which was to become a base of the F-5E Tiger II Program.



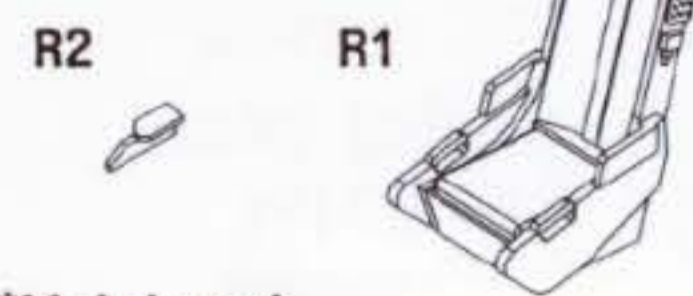
*PE Parts



*Film



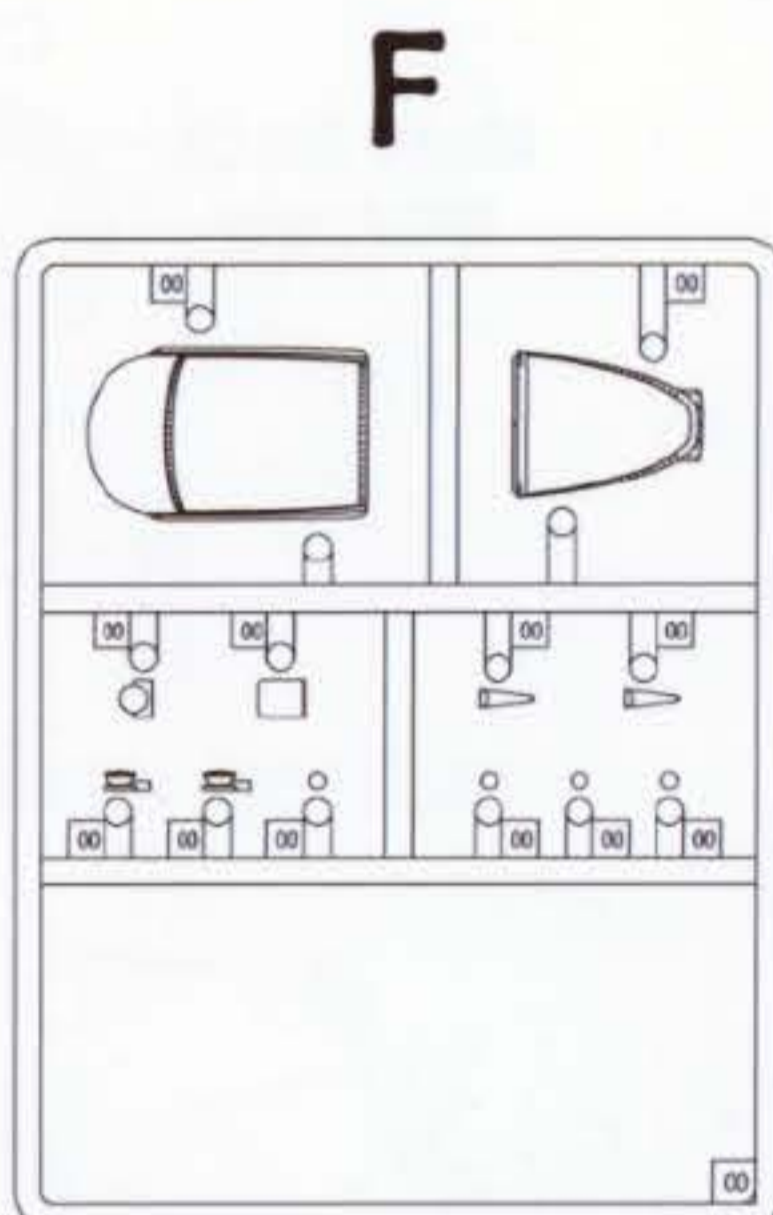
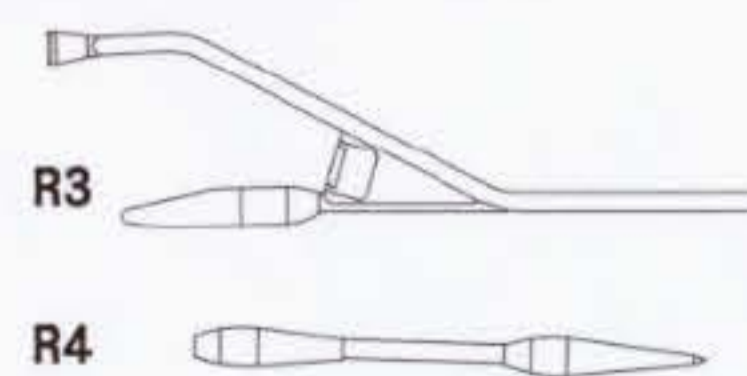
*Ejection seats by Resin parts



*Metal part



*Refueling probe parts by 3D printings



Parts not for use. (불필요부품)

- A3, A10, A11,
- B1, B2, B3, B4, B33, B34, B42
- C1, C4, C13, C17, C23, C24, D10, D22
- E5, E6, E7, E8, E9, E10, E15, E20, E13, E14, E21, E22, F3,

Contains one unassembled model kit only.
No Paint and Cement in box.
Kit suitable for Age 14 to Adult.

조립되지 않은 키트가 들어있습니다.
접착제와 도료는 들어있지 않습니다.
15세 이상 판매용

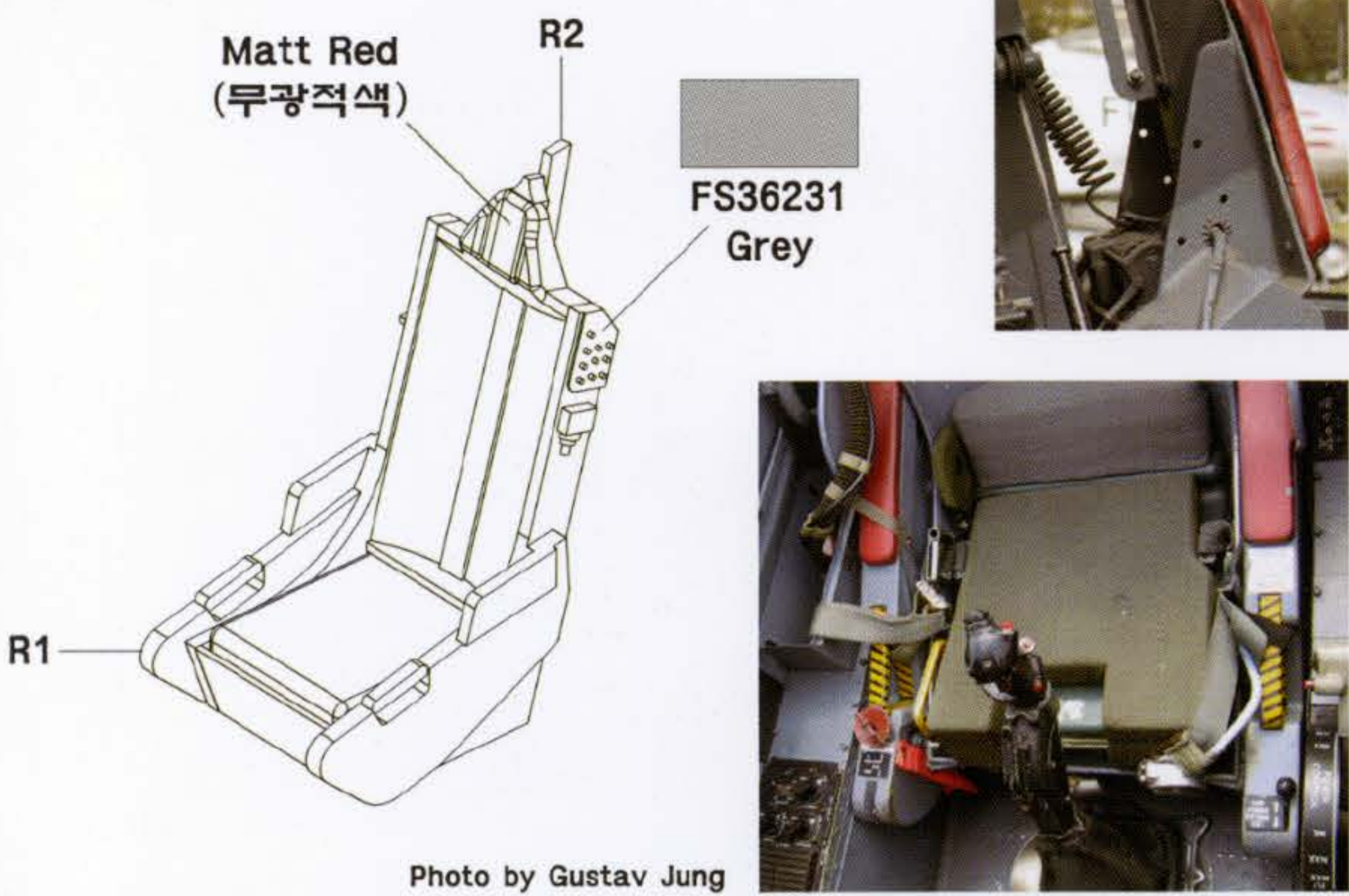
Wolfpack-Design Co. Ltd.

F2, 697, I-dong, Sangroku, Ansan-si, Gyoungido, 426-863 Republic of Korea

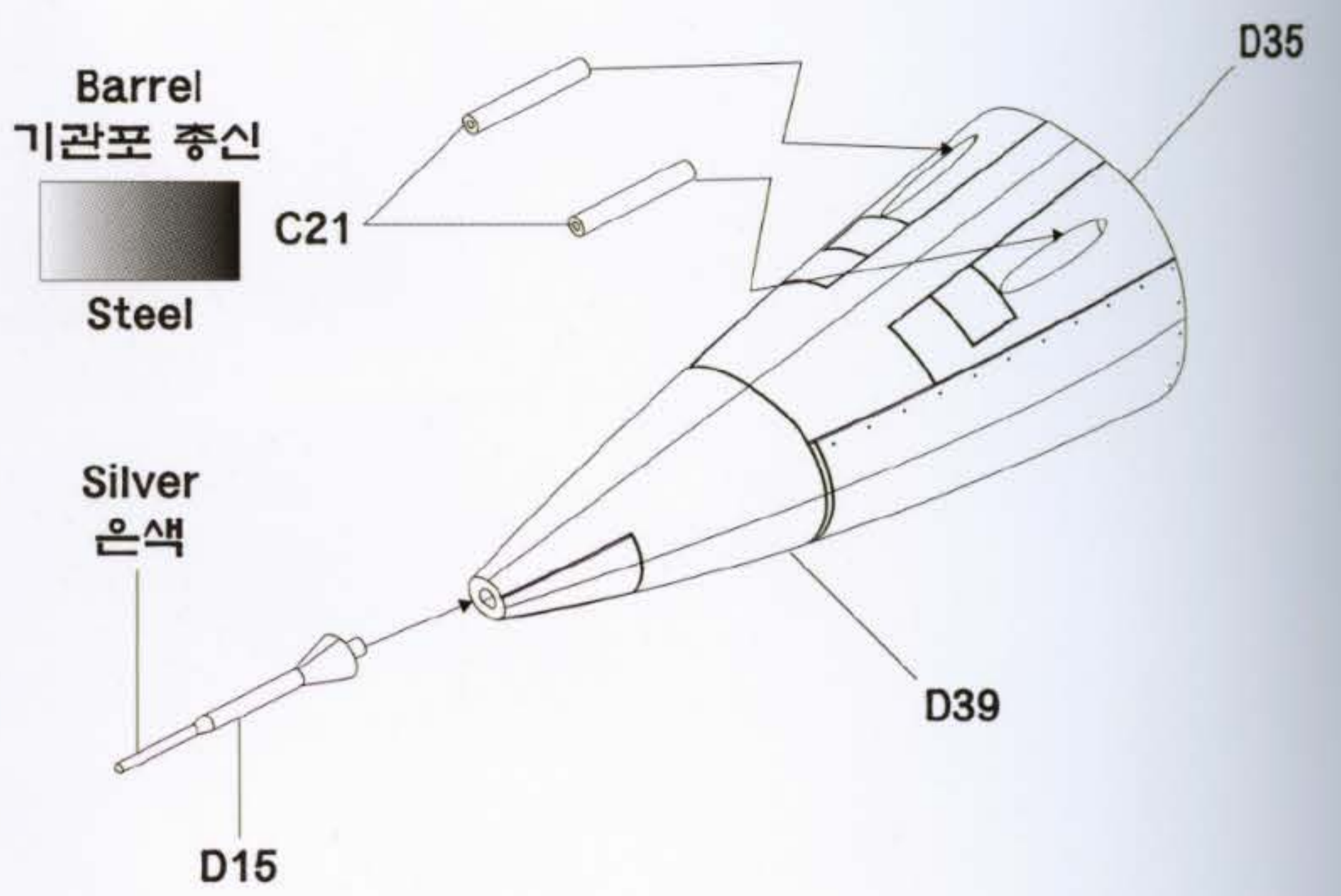
울프팩 디자인
경기도 안산시 상록구 이동 697번지 2층
우 : 426-863

Printed in Korea

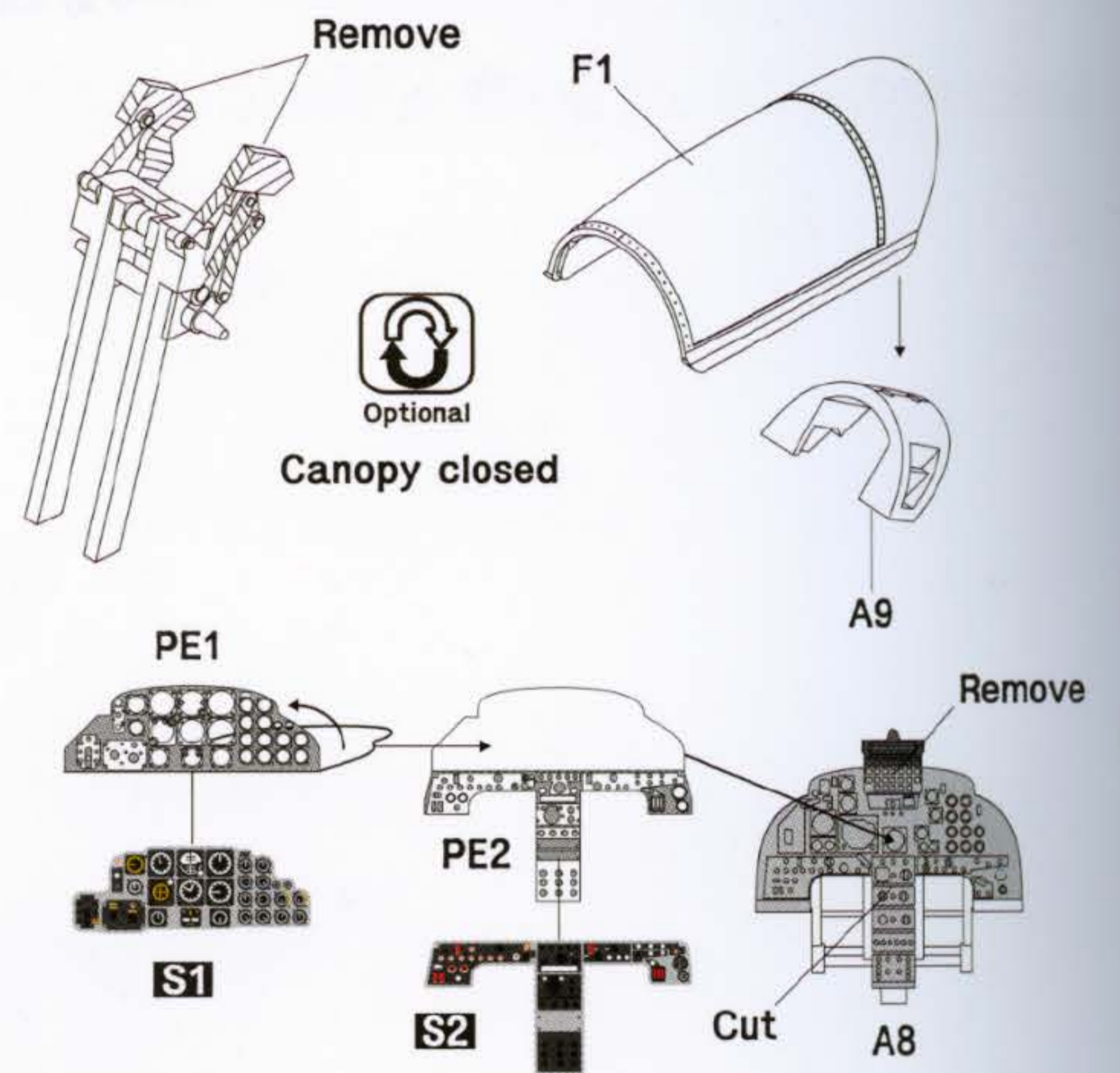
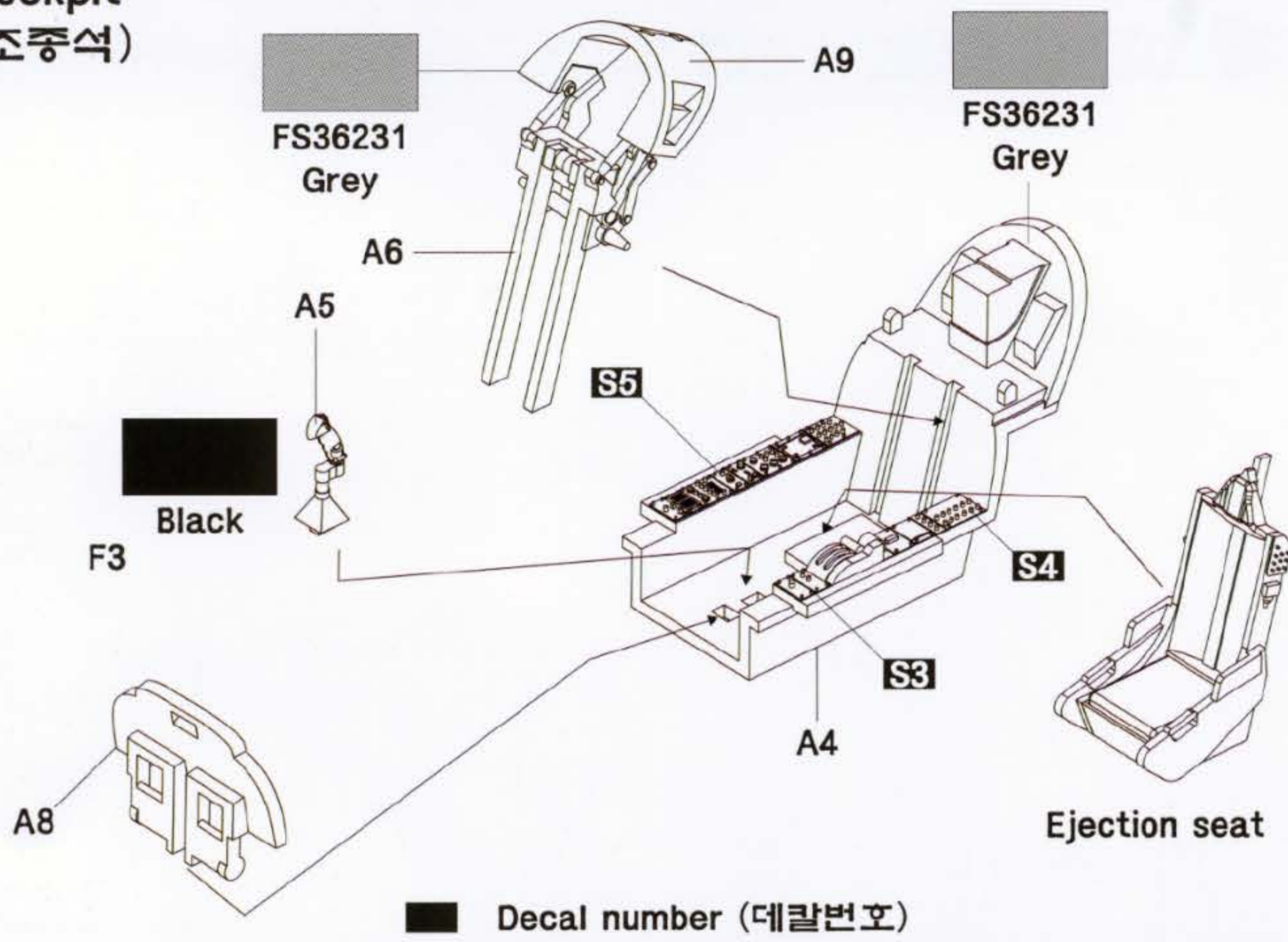
1 Ejection seats (사출좌석)



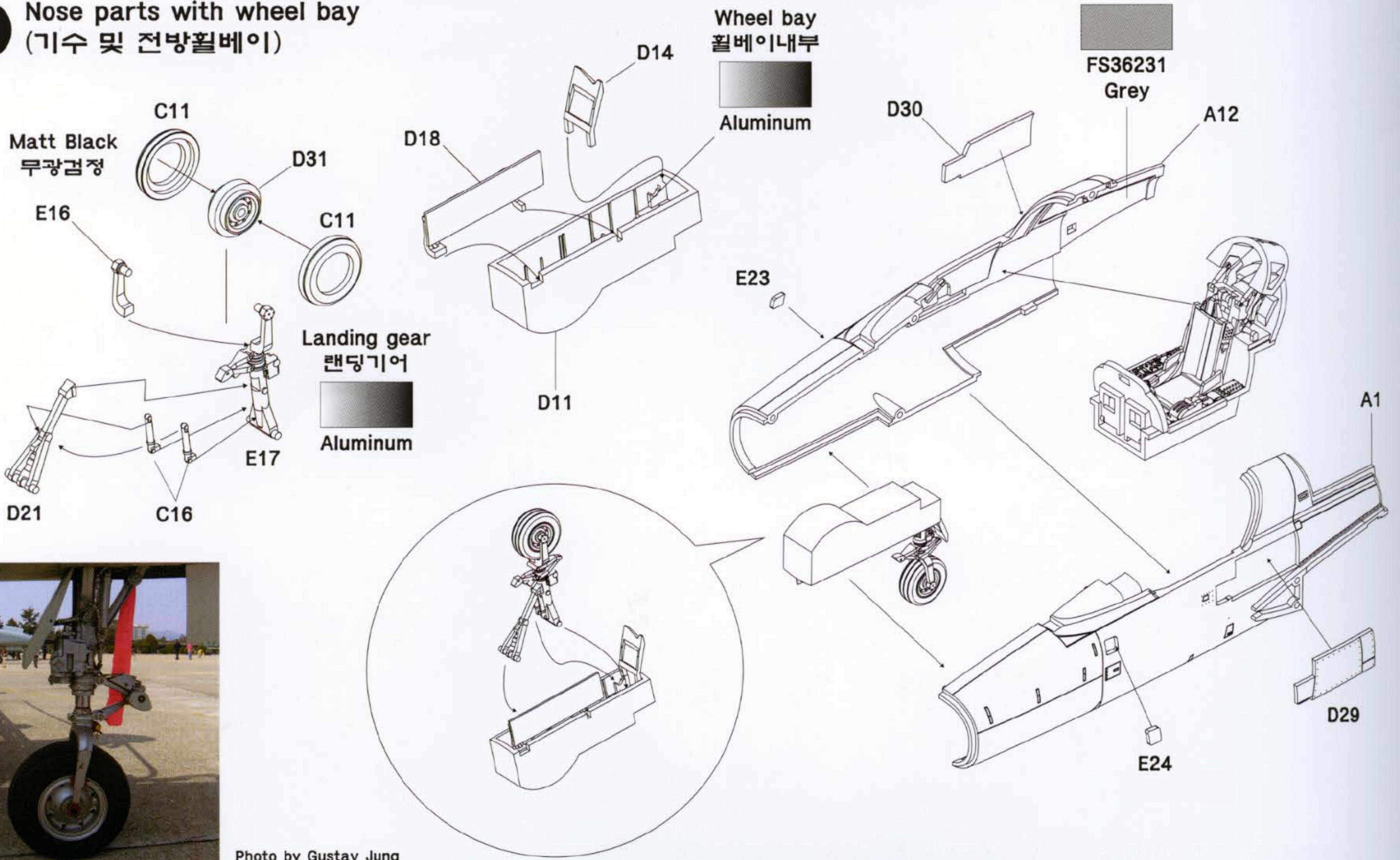
2 Nosecone (기수)



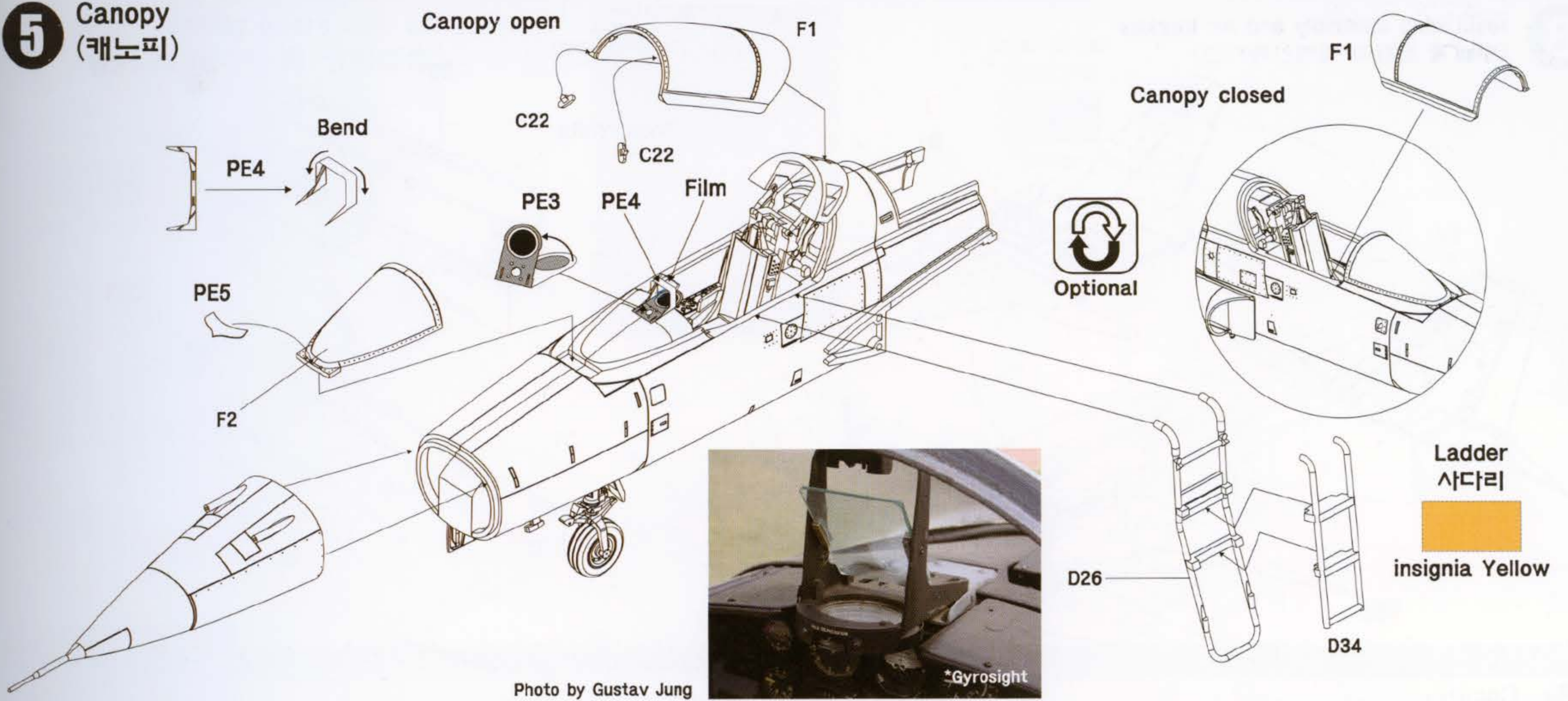
3 Cockpit (조종석)



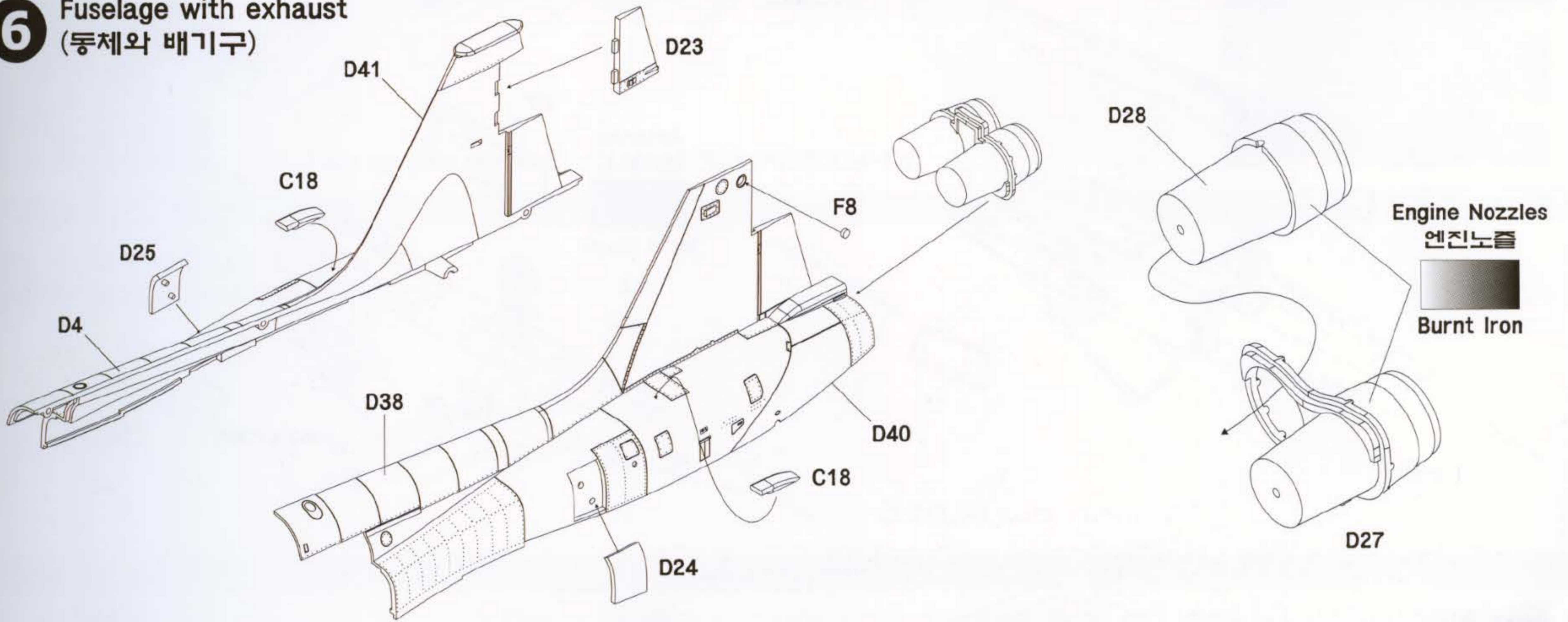
4 Nose parts with wheel bay (기수 및 전방휠베이)



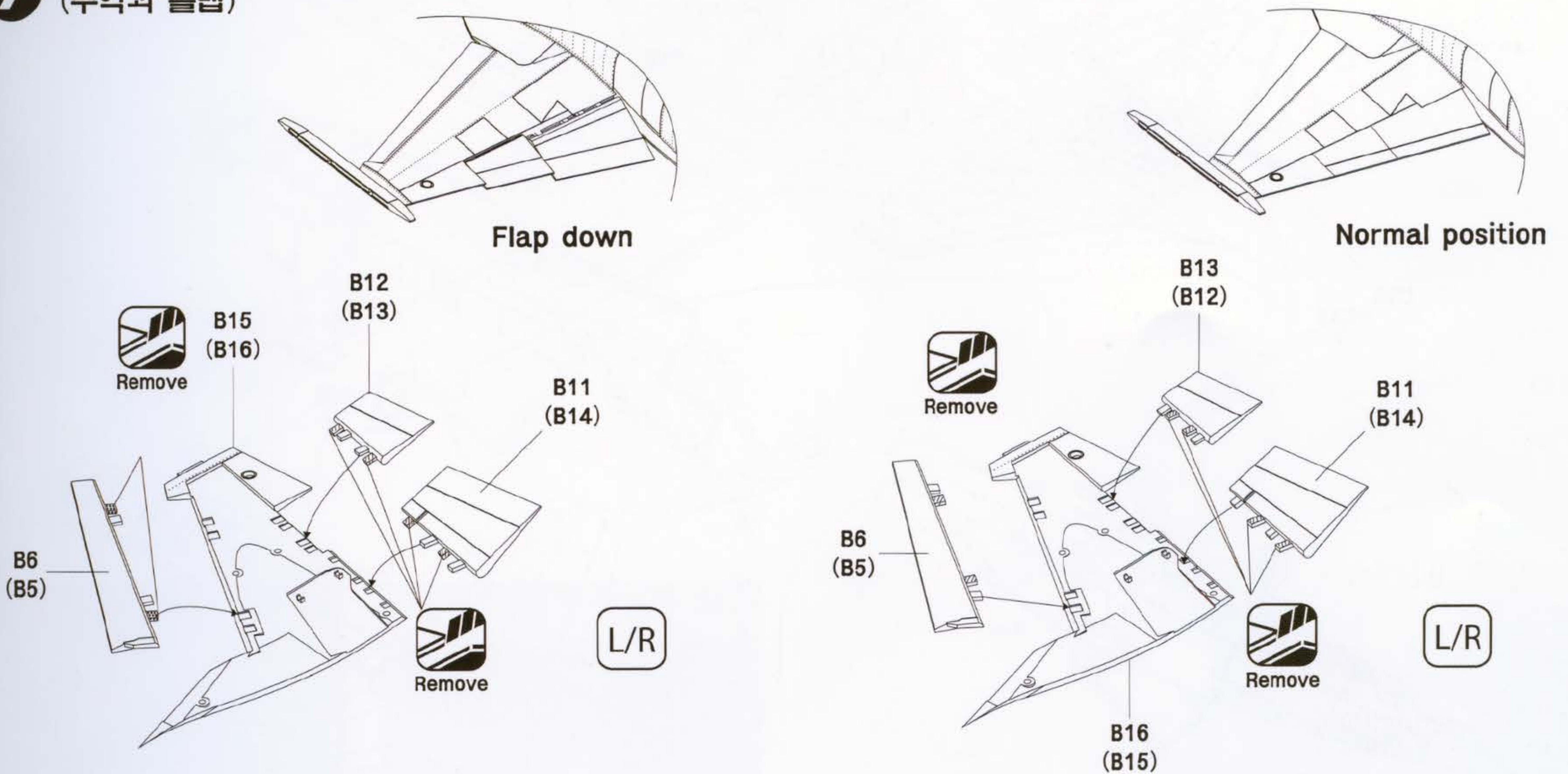
5 Canopy (캐노피)



6 Fuselage with exhaust (동체와 배기구)

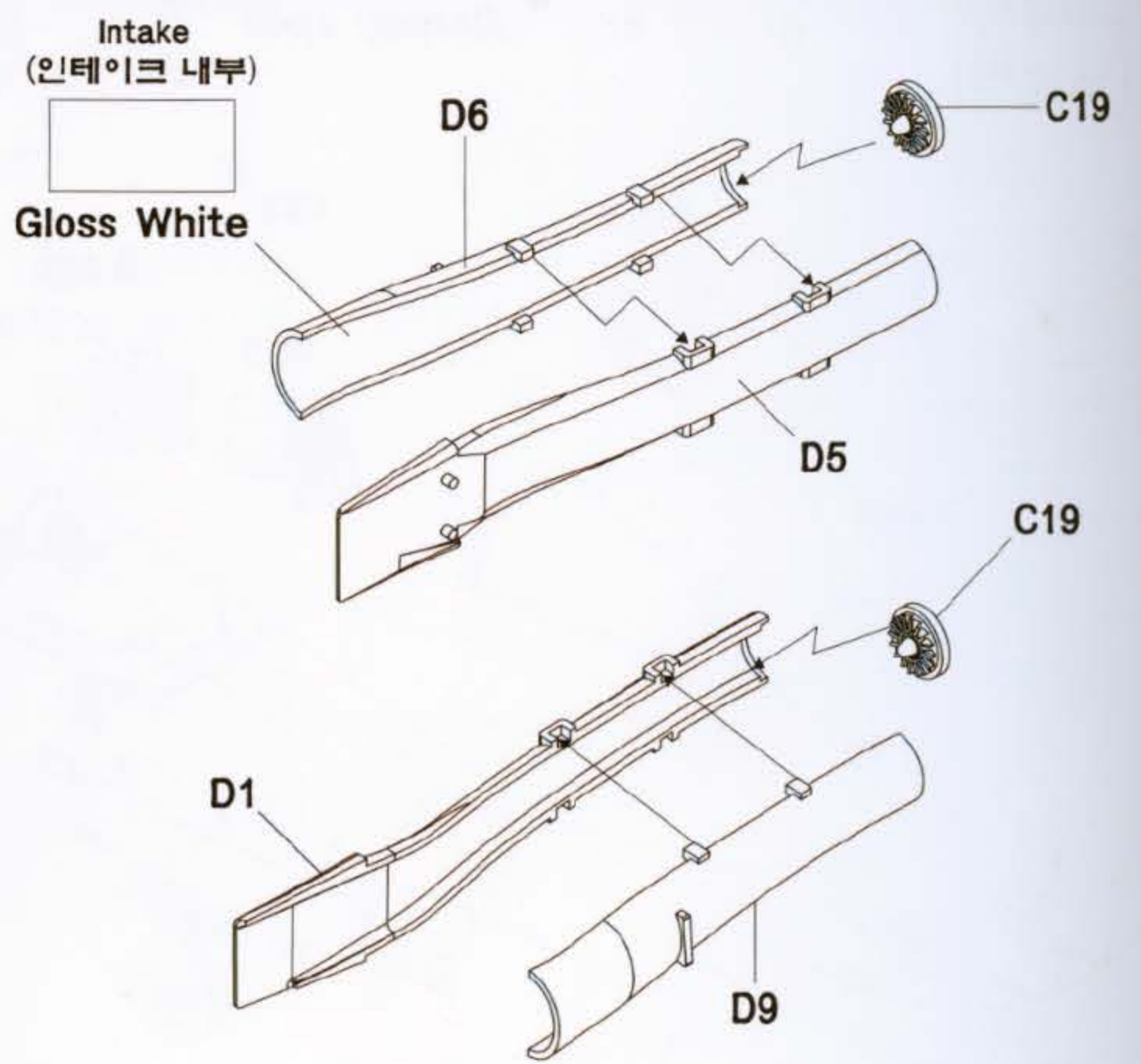
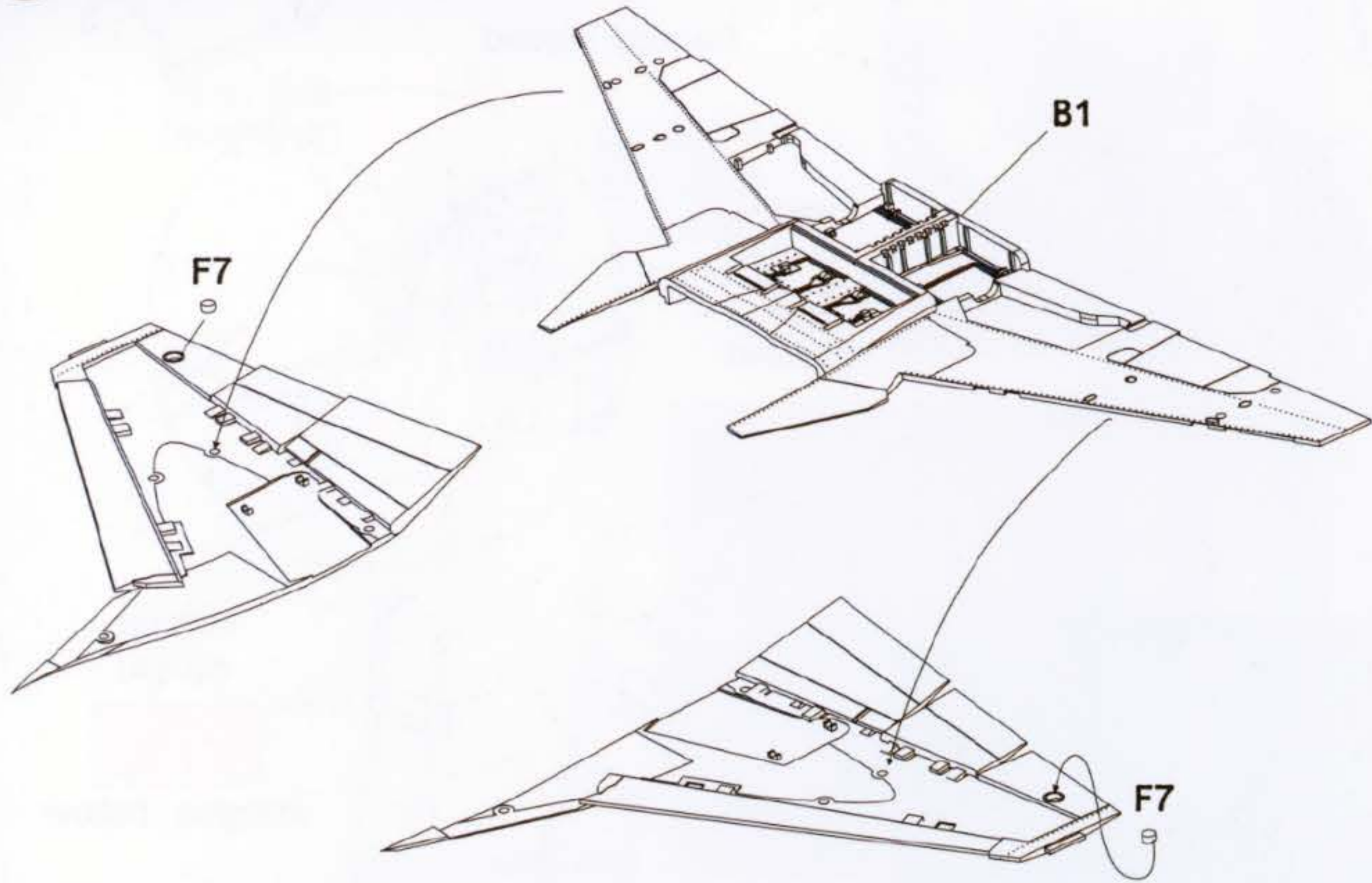


7 Main wings (주익과 플랩)

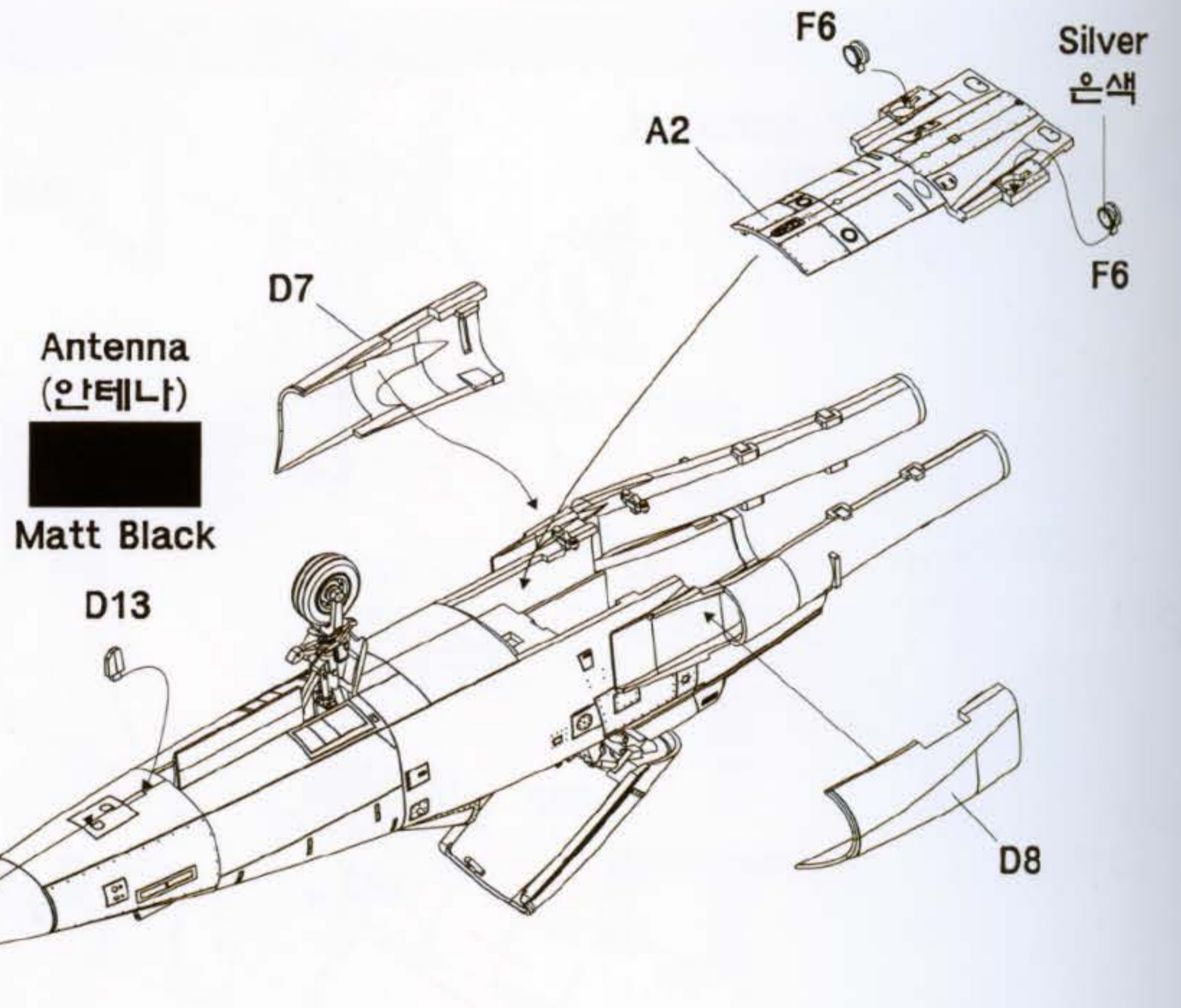
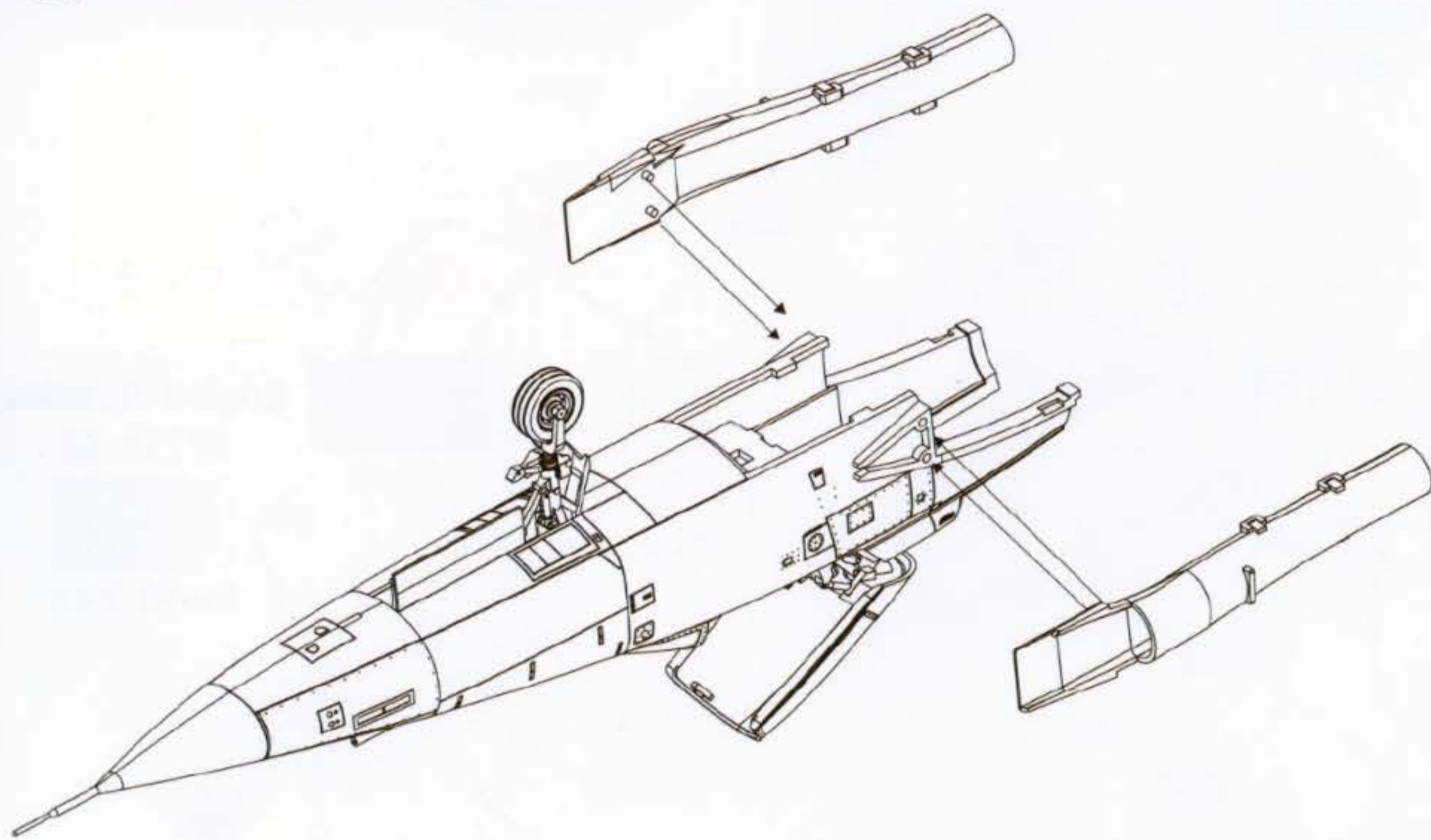


*() are opposite numbers. *()은 반대편 부품번호입니다

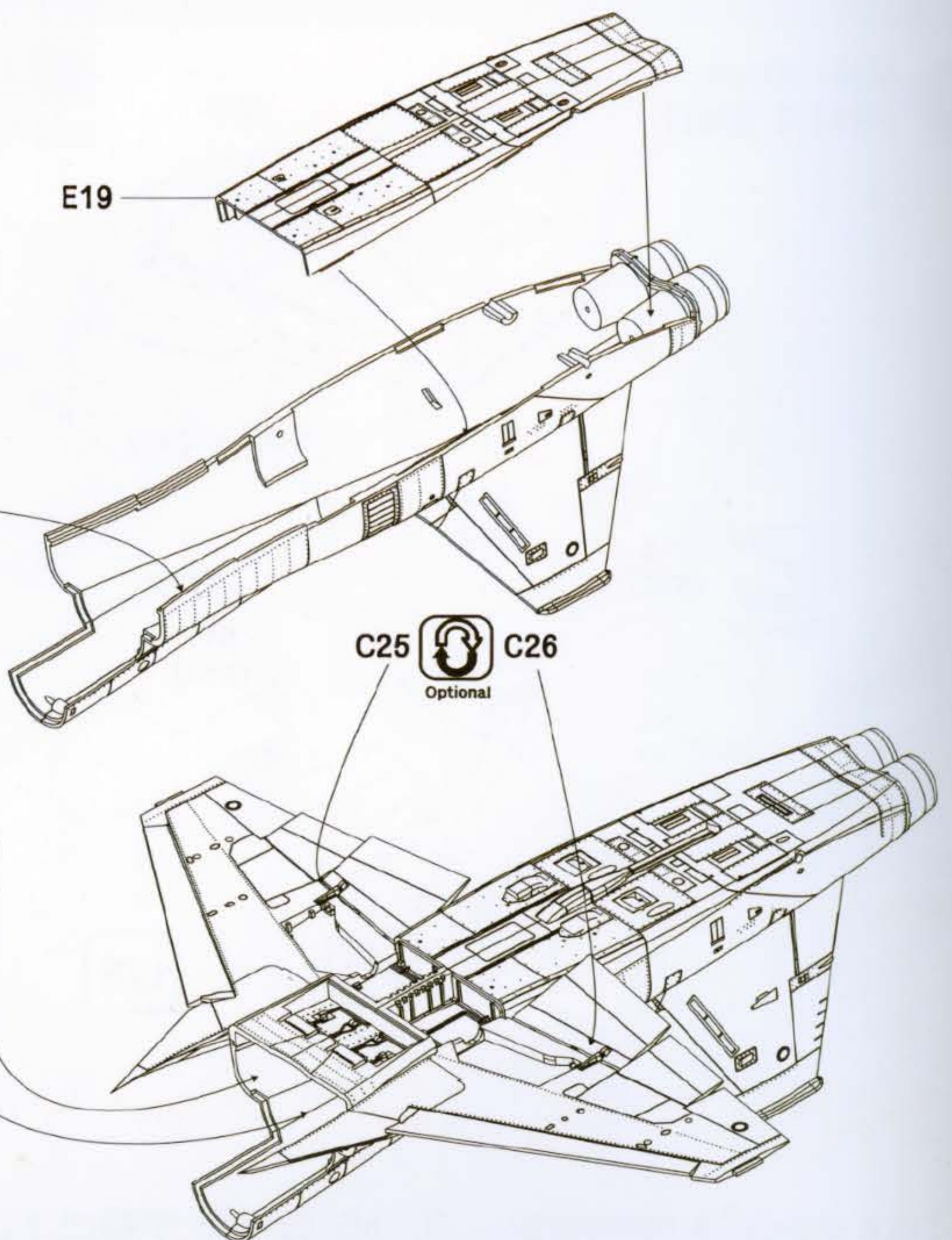
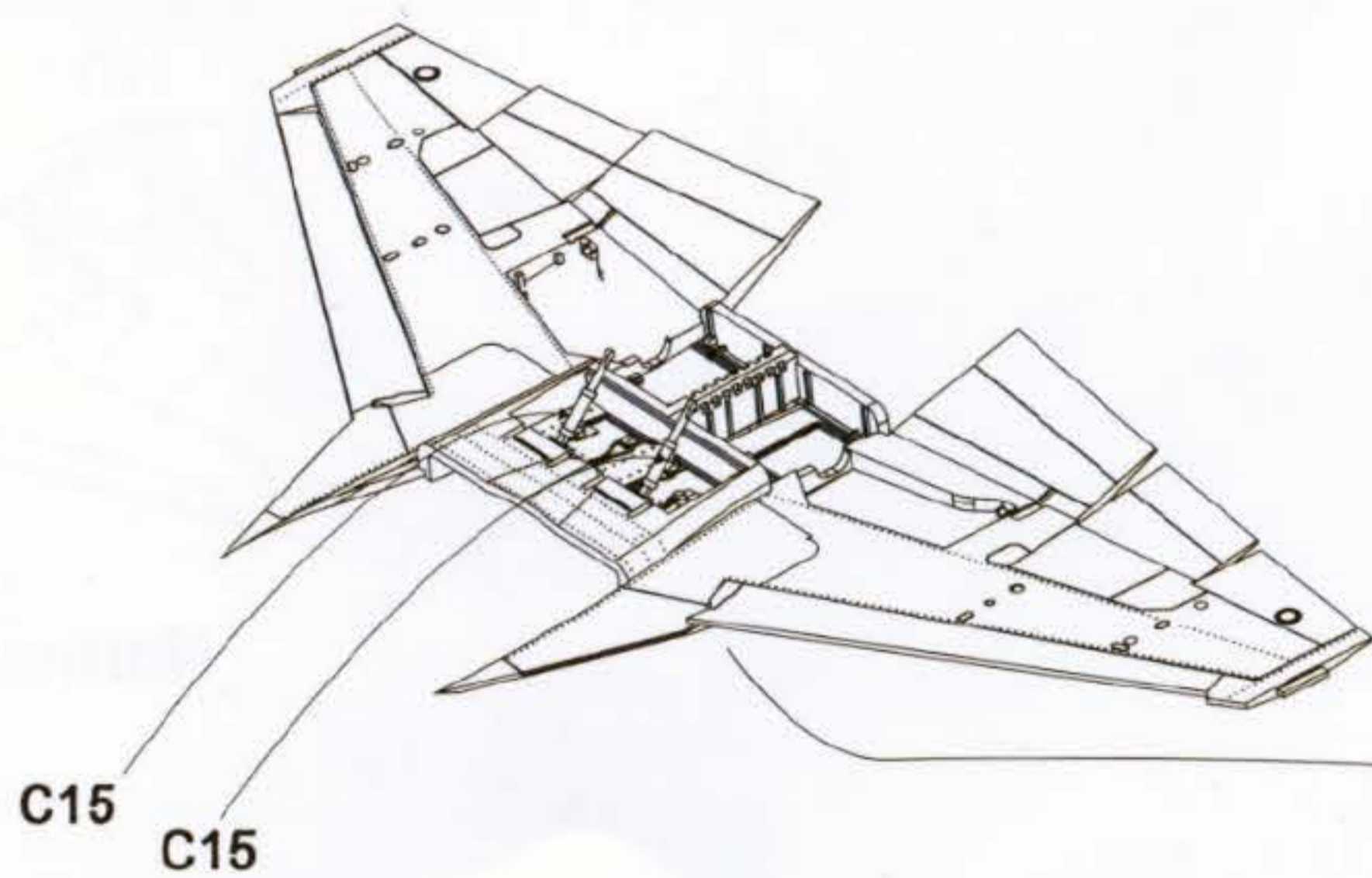
8 Main wing assembly and Air intakes
(주날개 조립과 에어인테이크)



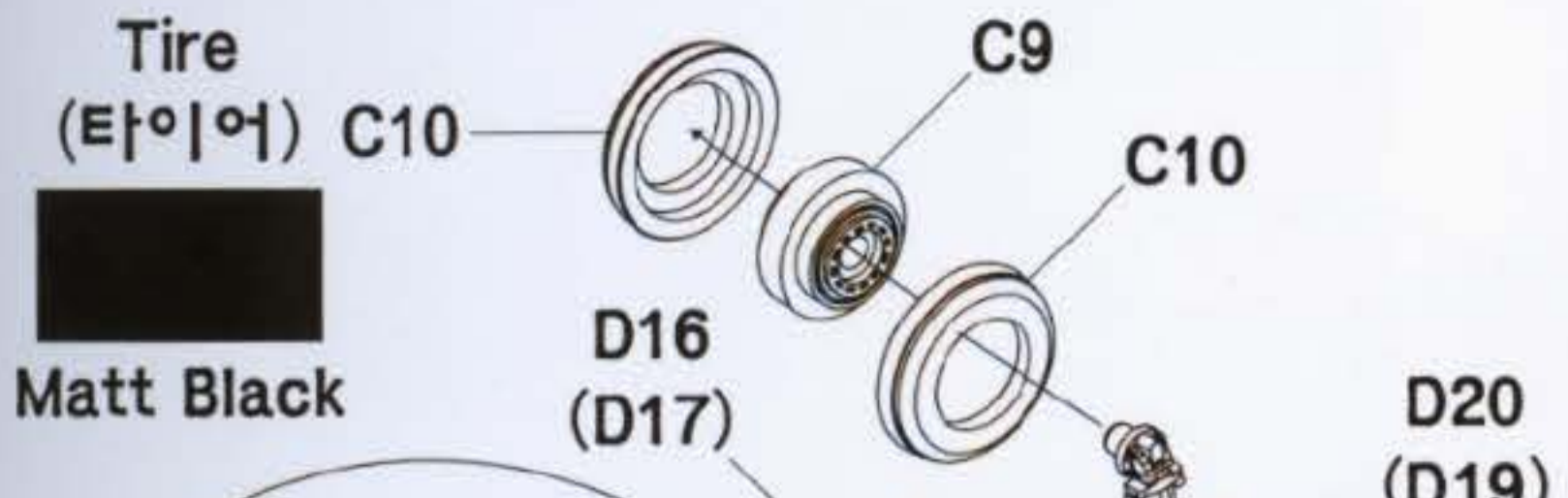
9 Intake Assembly
(인테이크 조립)



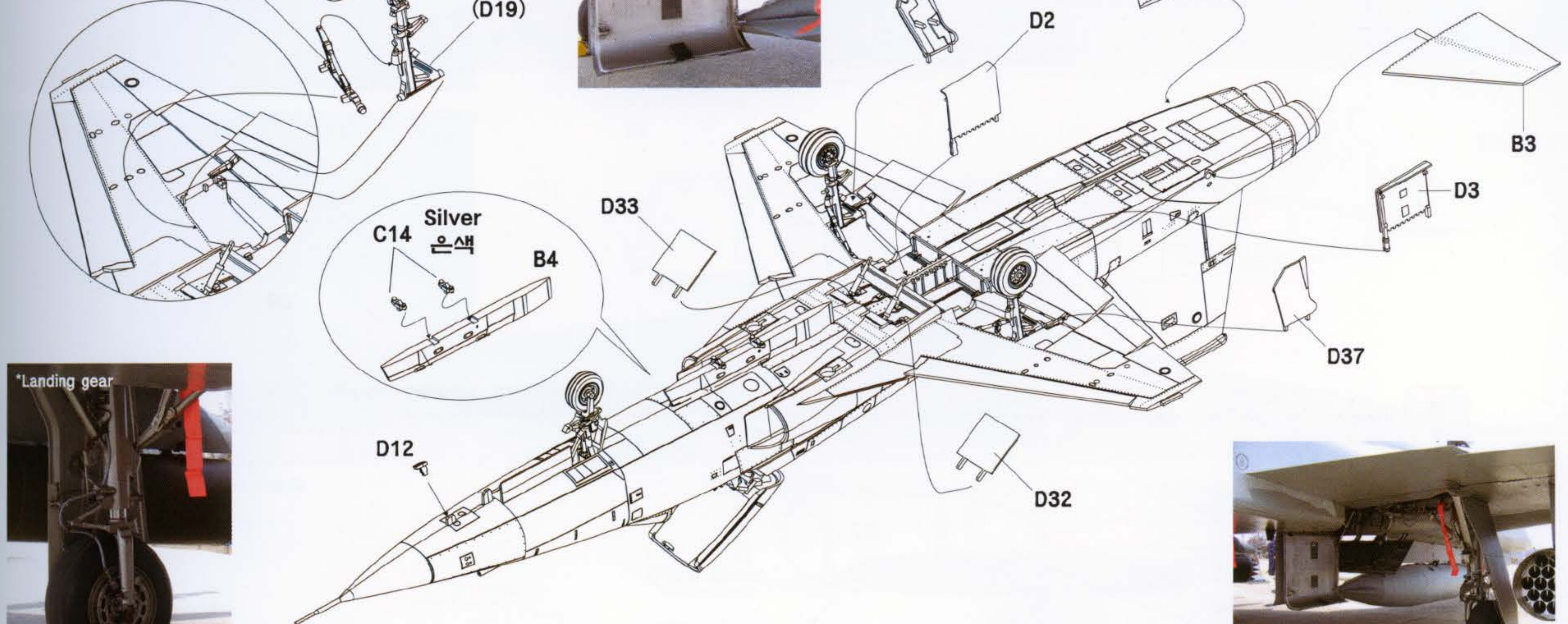
10 Fuselage and Wing Assembly
(동체와 날개 조립)



11 Main Landing gears and covers (동체 랜딩기어 및 커버조립)

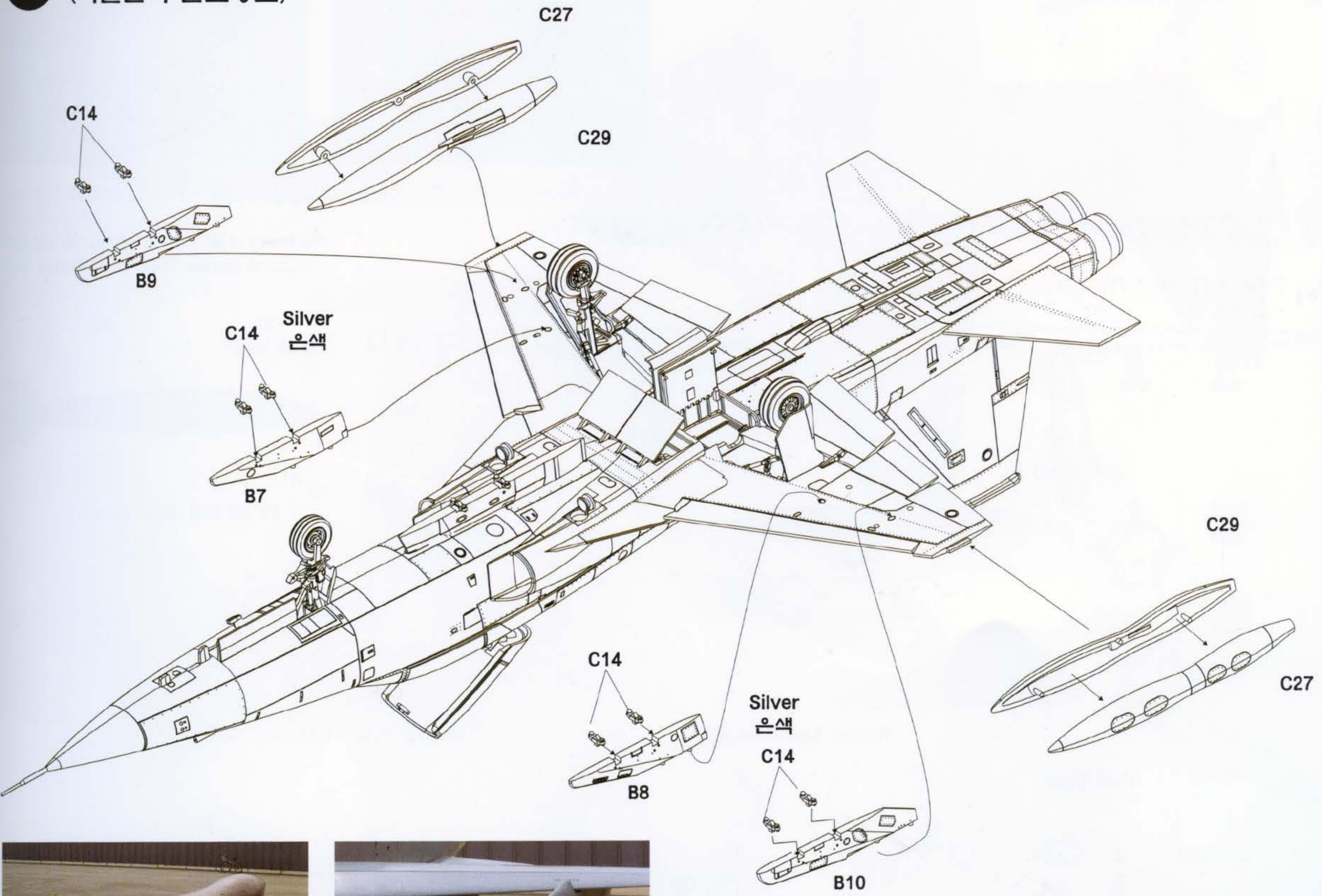


Inner cover
커버안쪽



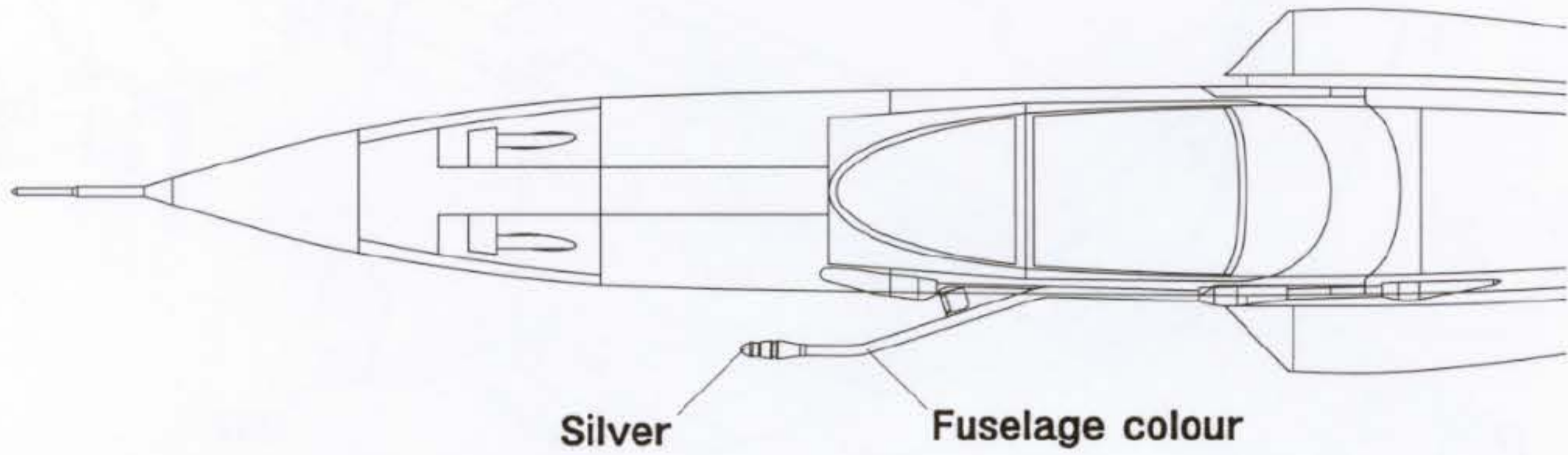
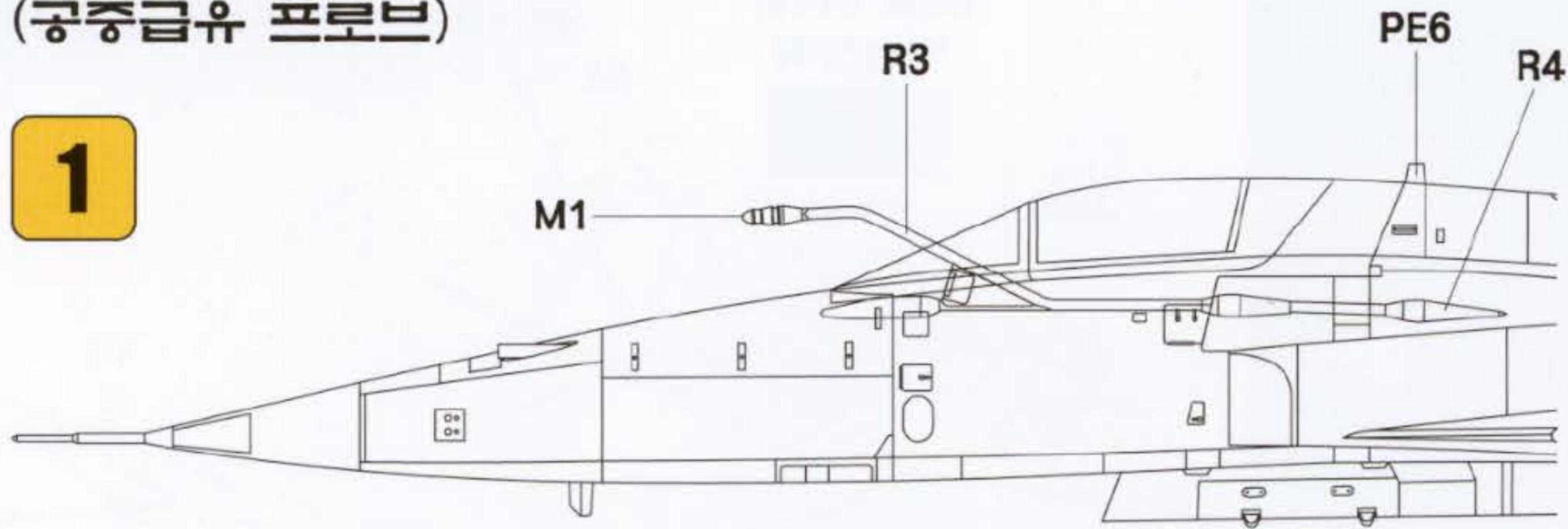
*() are opposite numbers. *()은 반대편 부품번호입니다.

12 Pylons and Fuel tanks (파일런과 연료탱크)



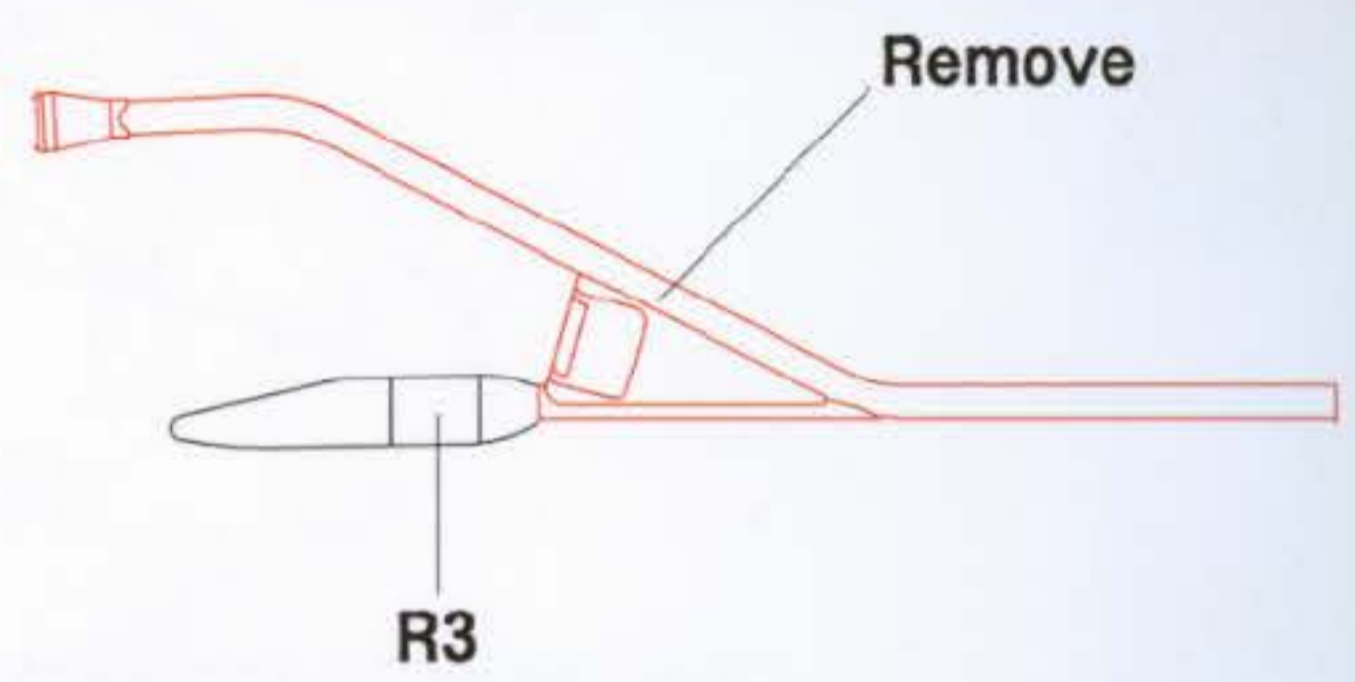
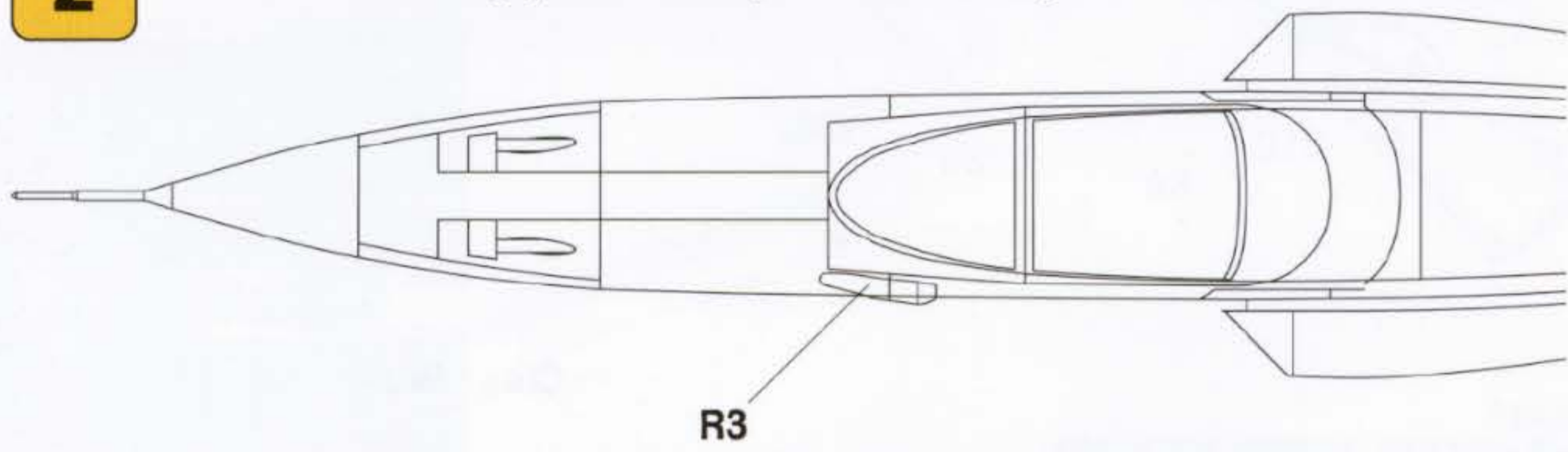
13 Refueling Probe
(공중급유 프로브)

1

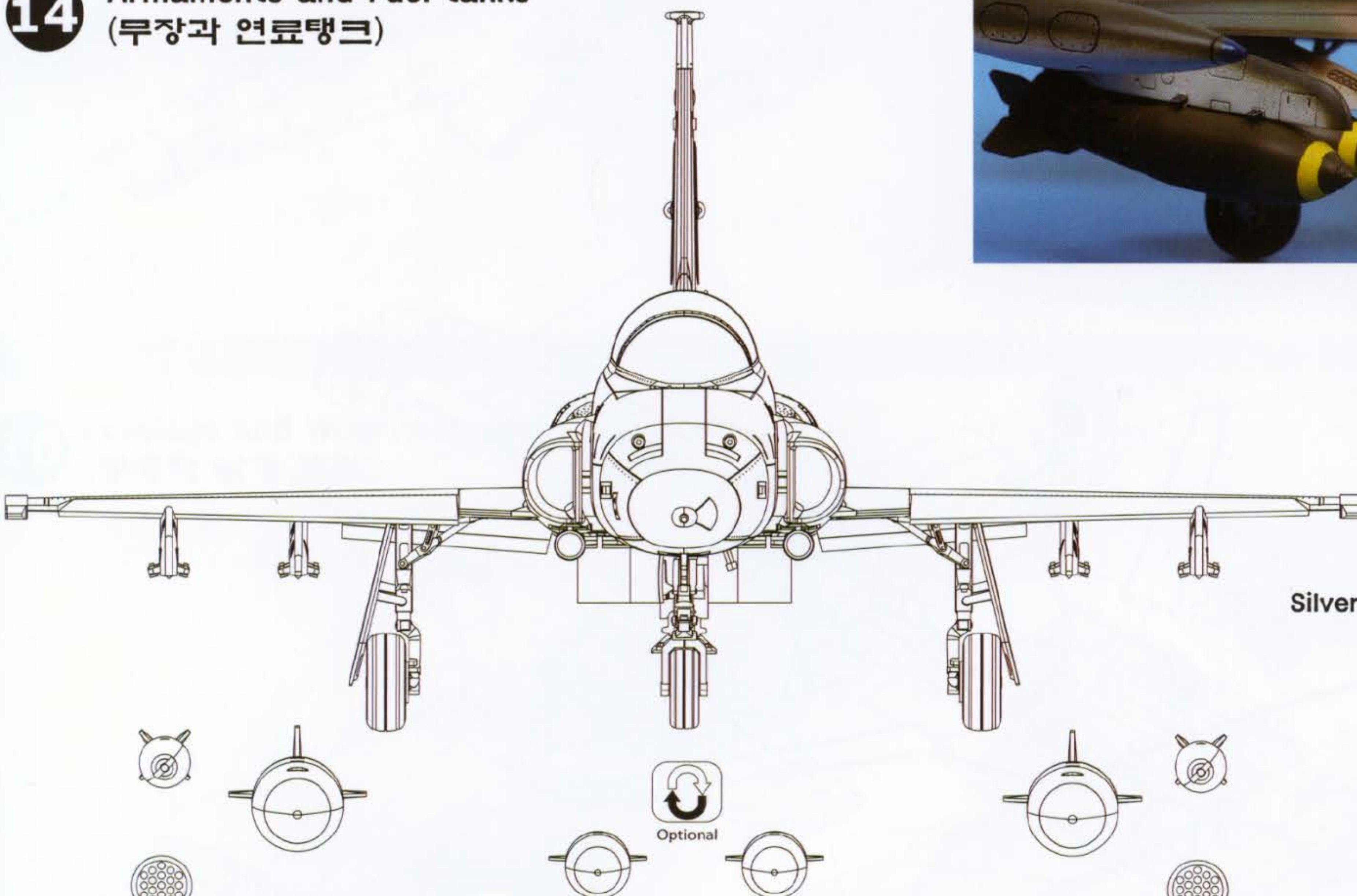


2

Remove refueling probe except front fairing

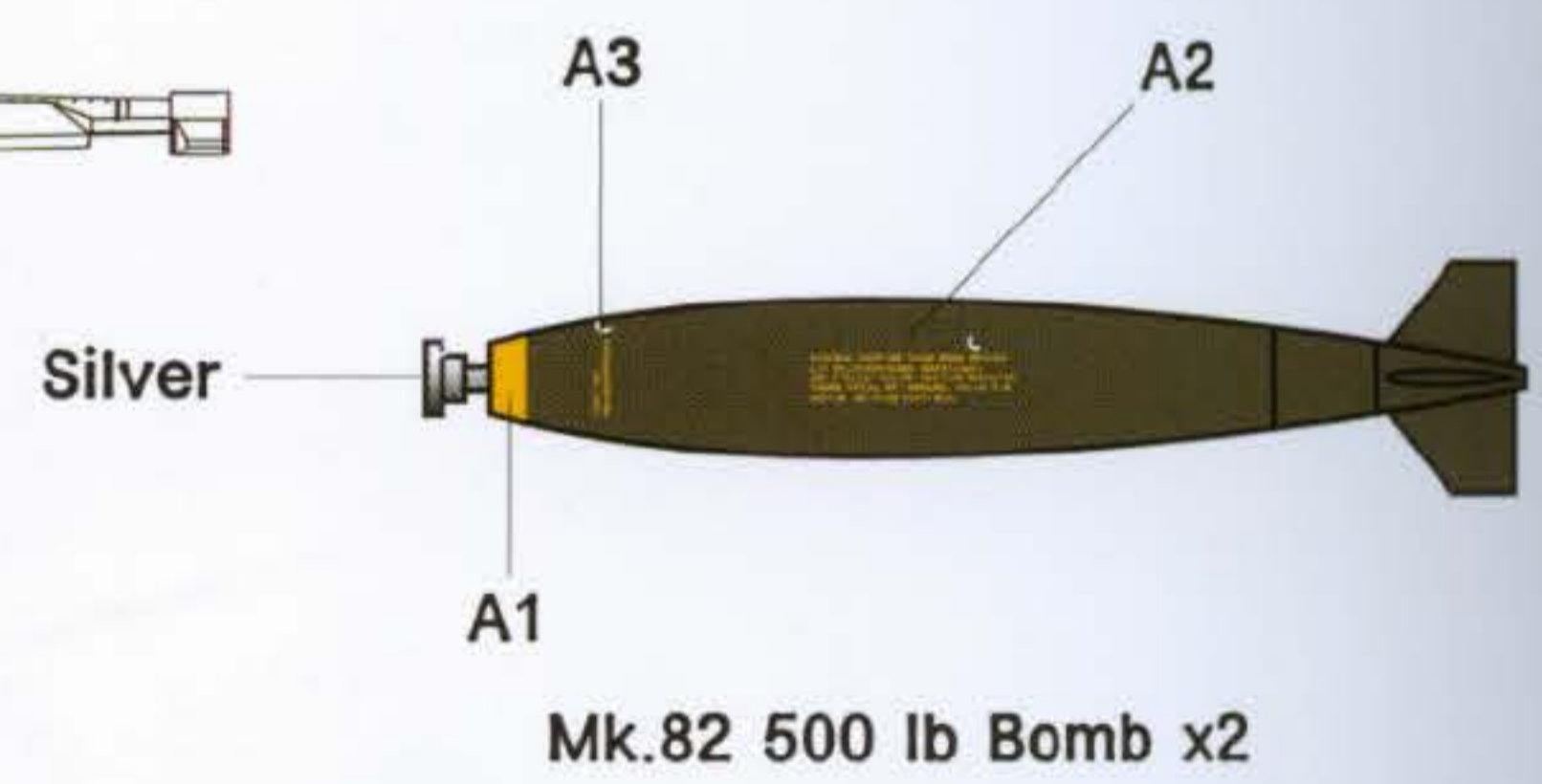


14 Armaments and Fuel tanks
(무장과 연료탱크)

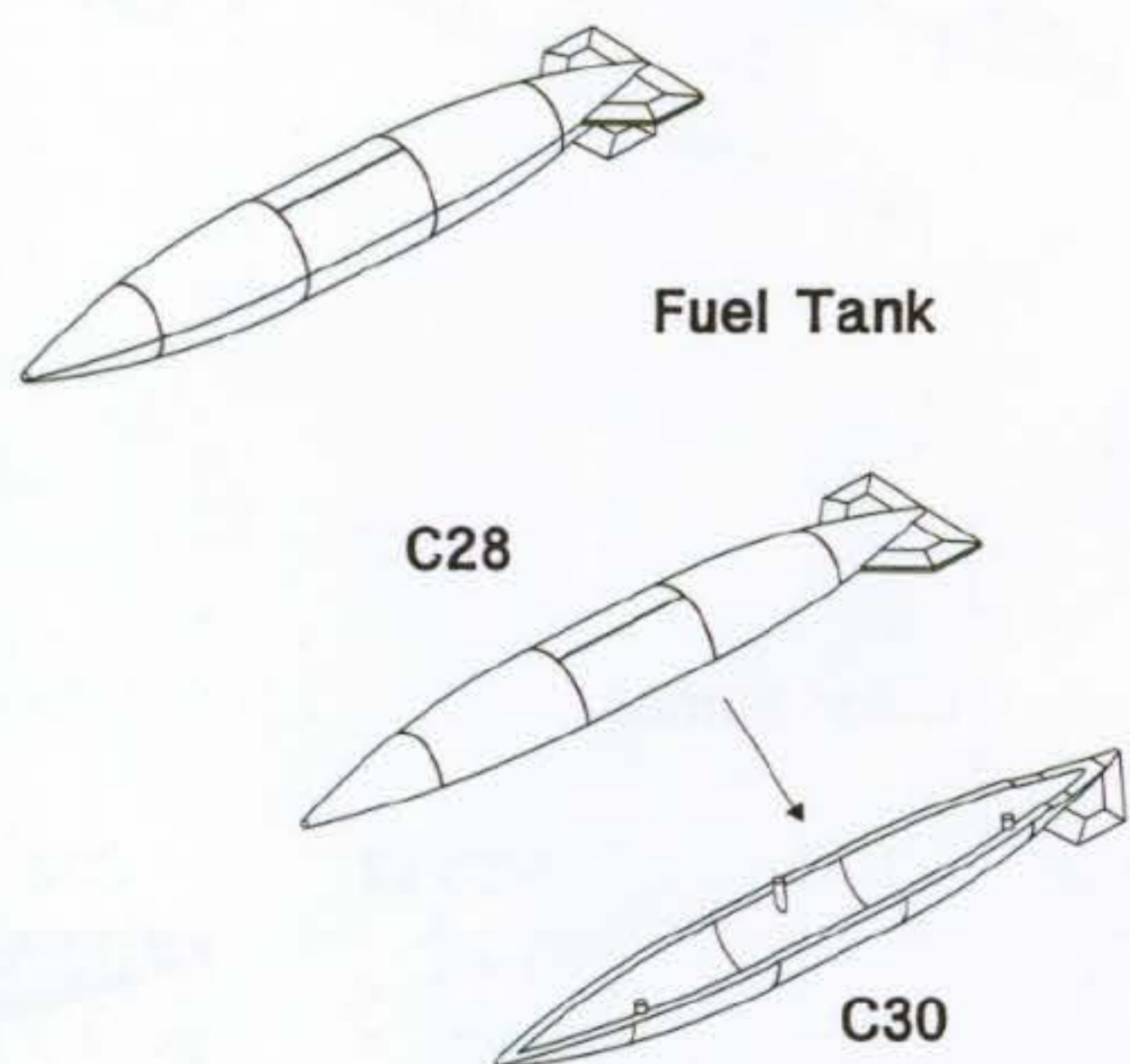


*Suggested aftermarket items

Wolfpack 1/48 M117 750kg Bomb set
Eduard Brasin 1/48 M117 Bomb set

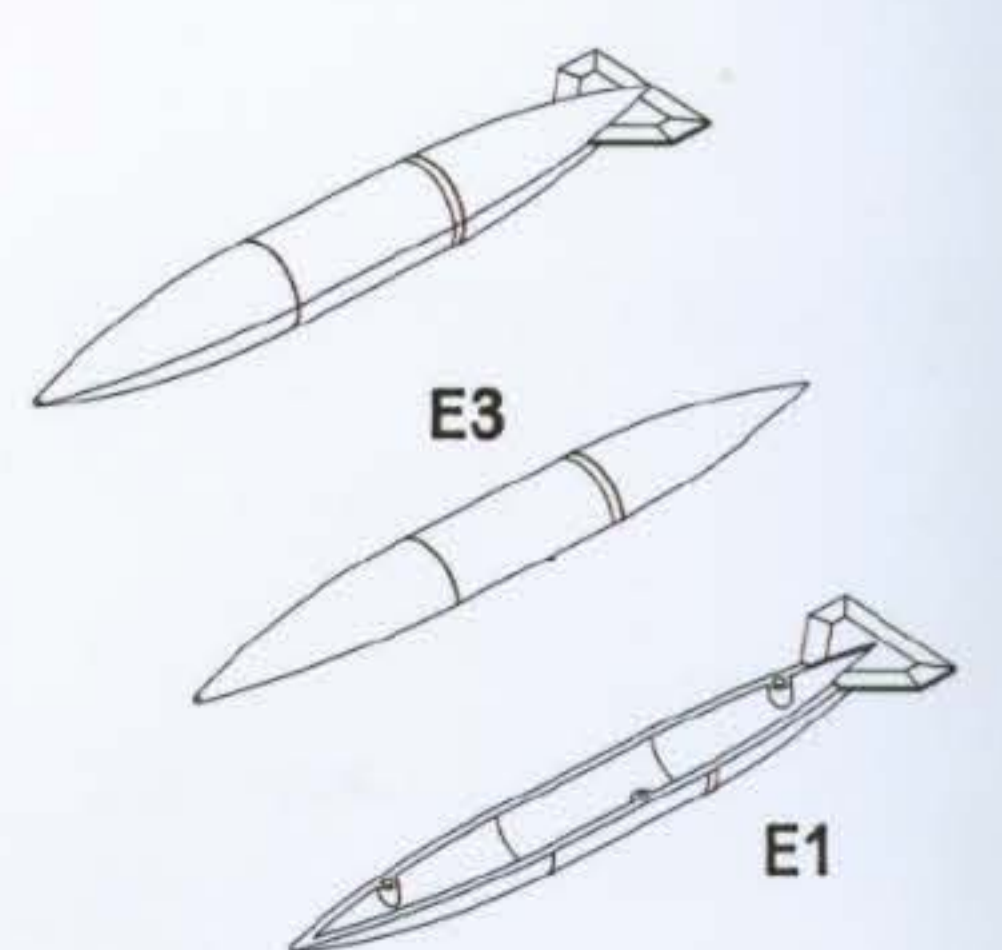
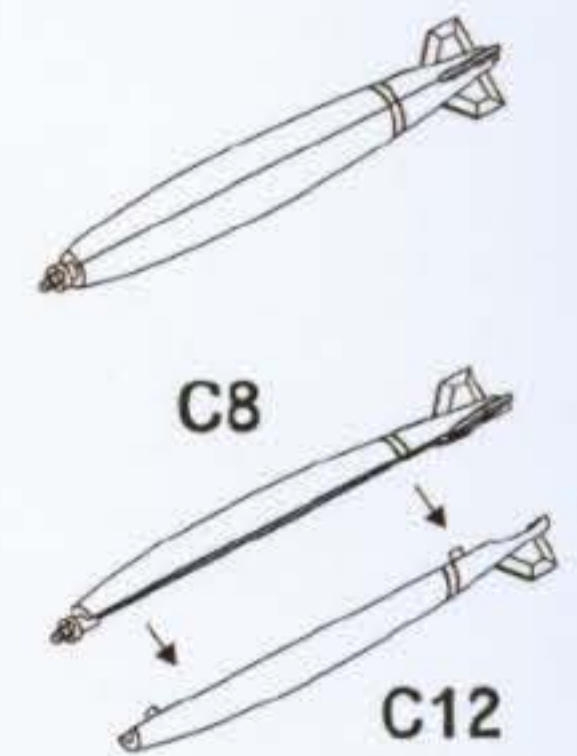
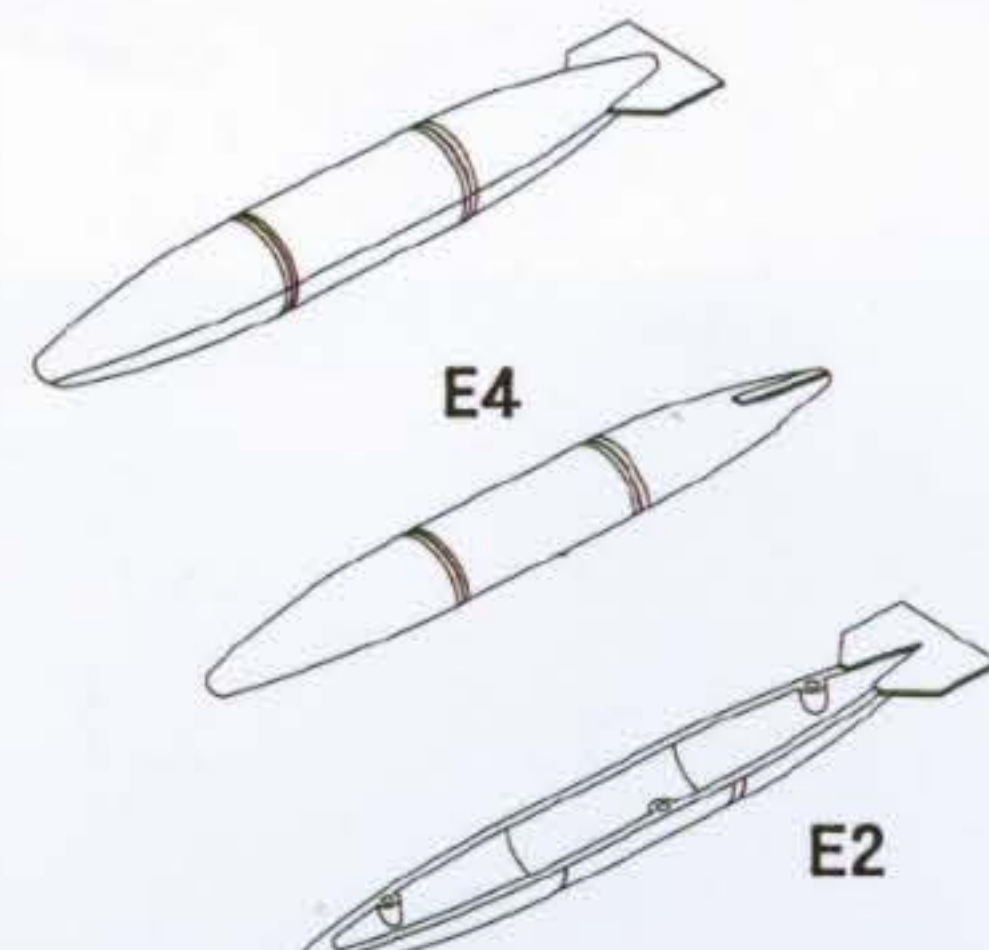
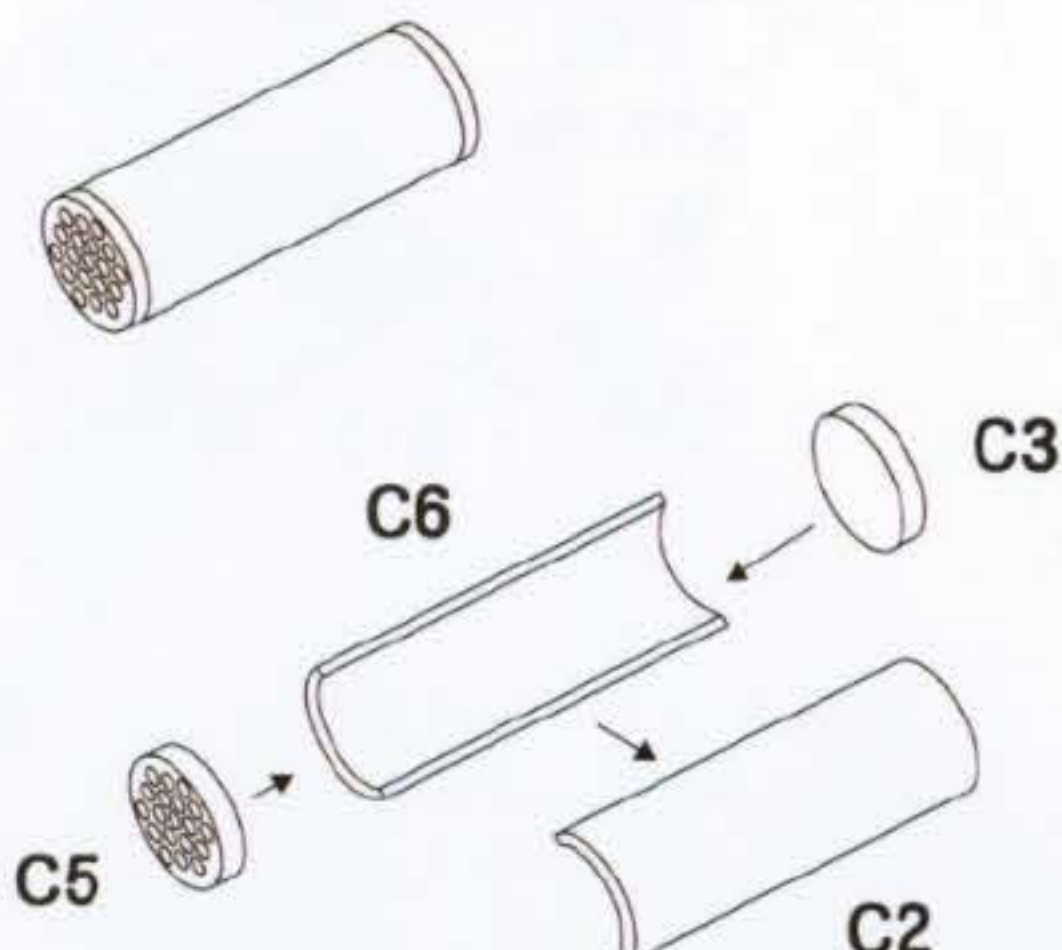


Mk.82 500 lb Bomb x2

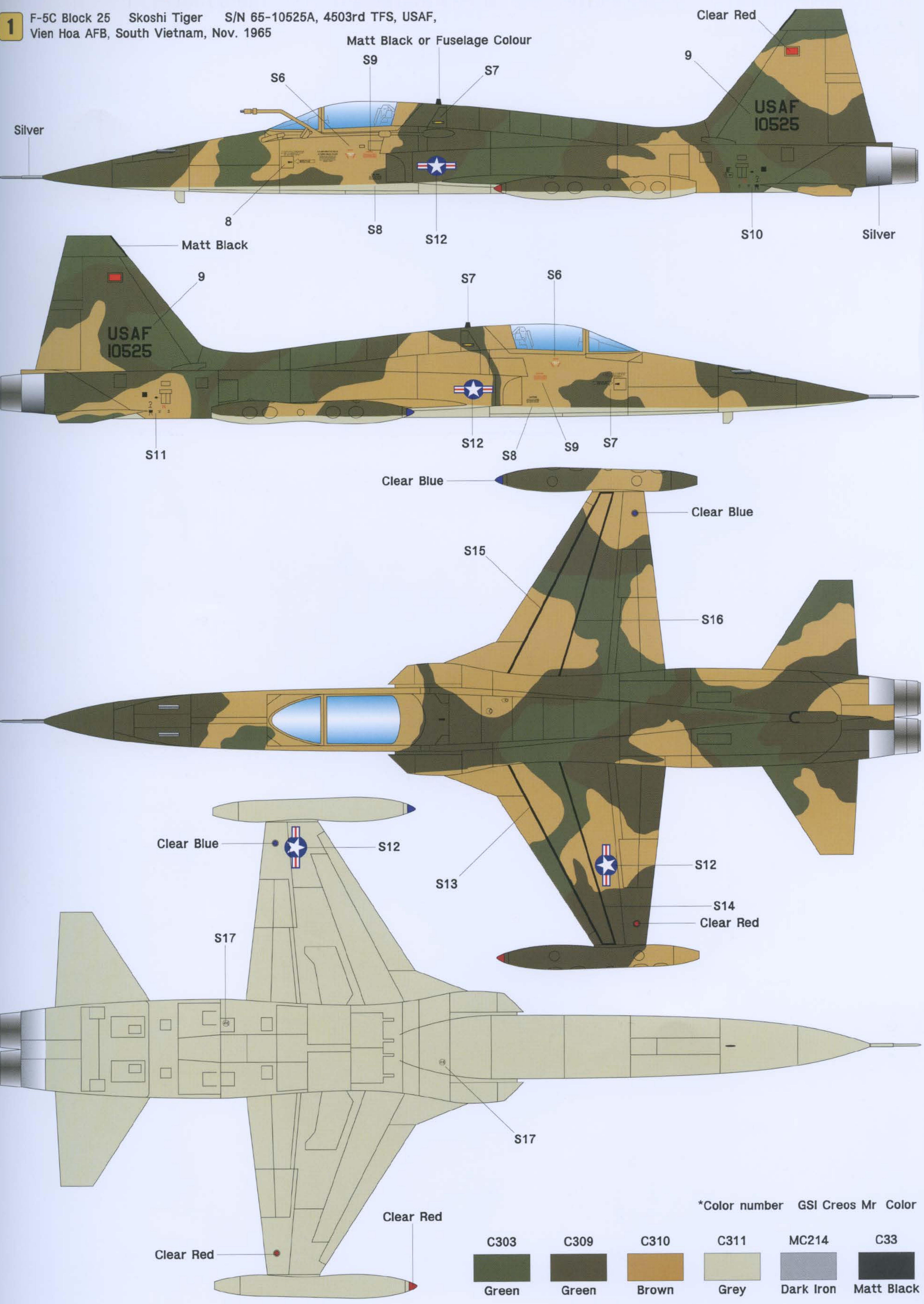


Rocket Launcher x2

150 gal. Fuel Tank



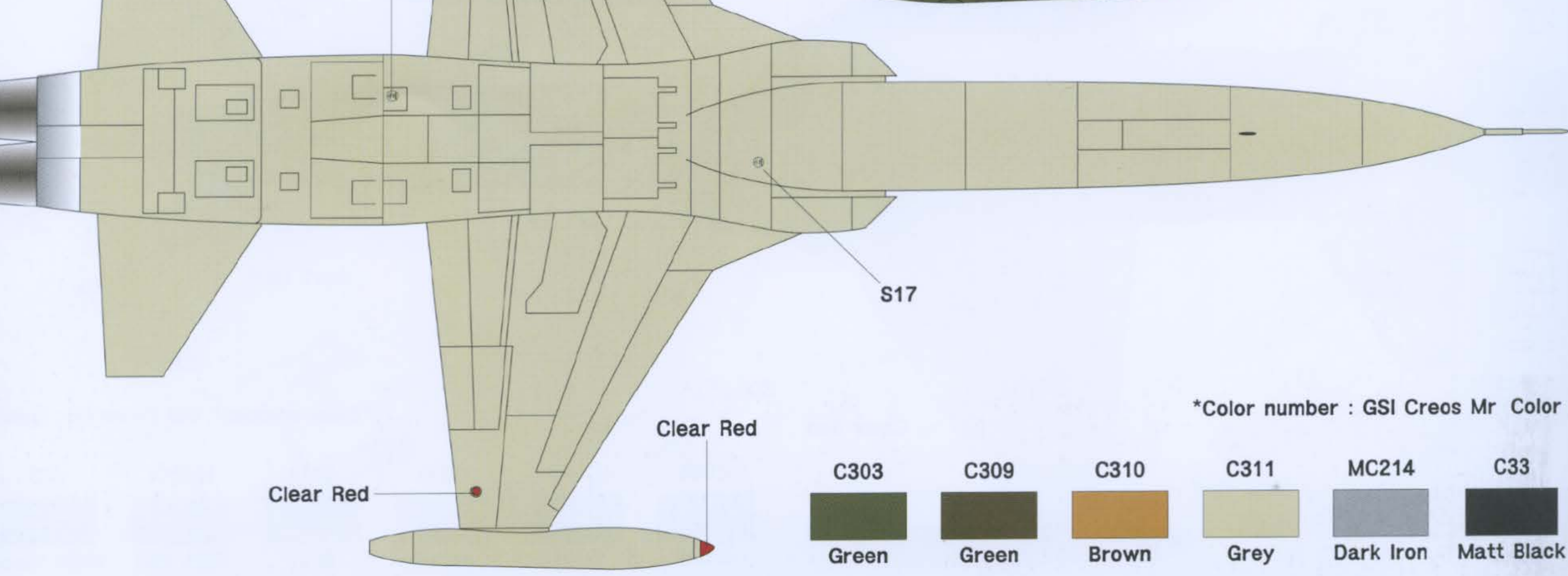
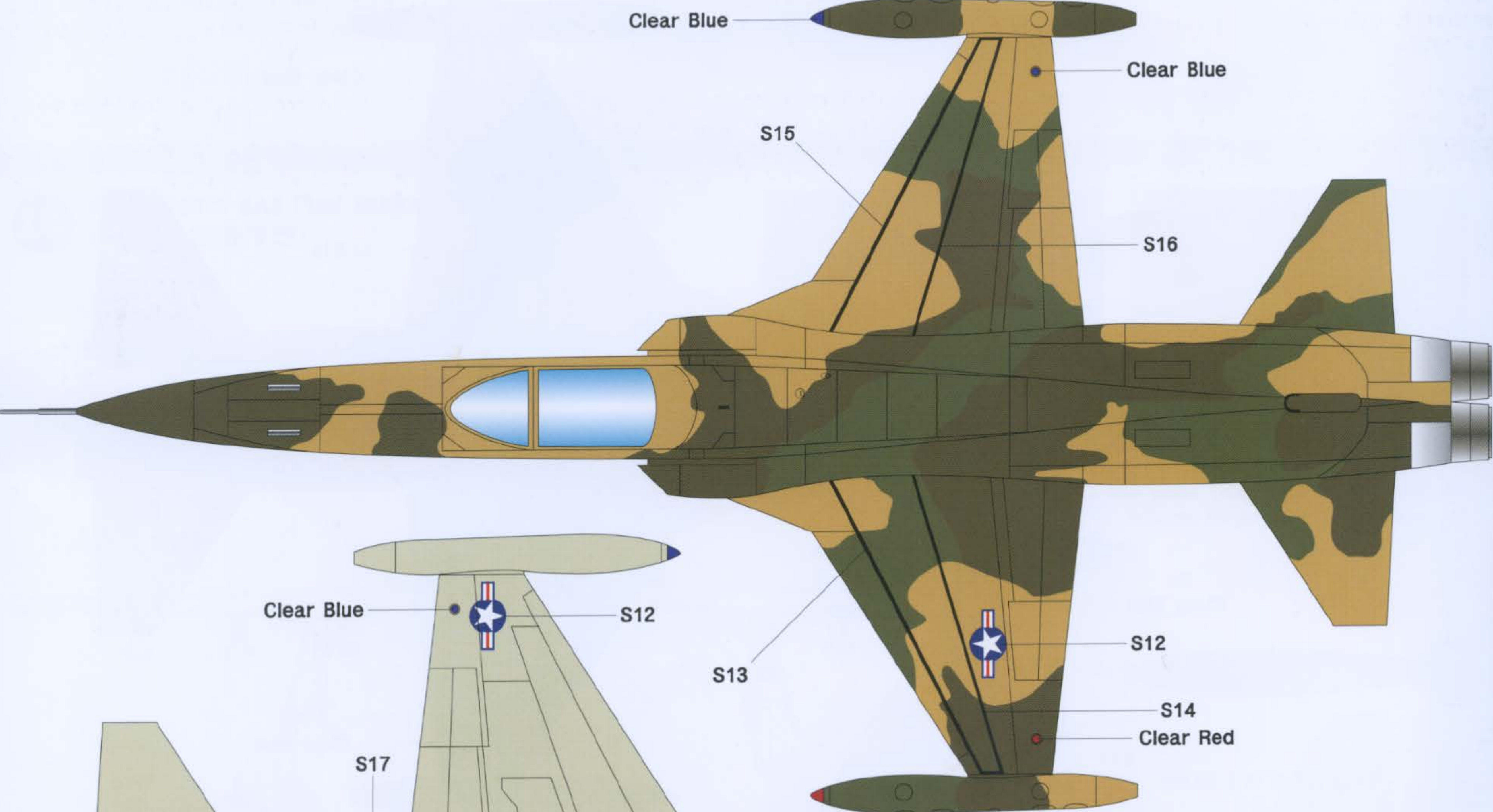
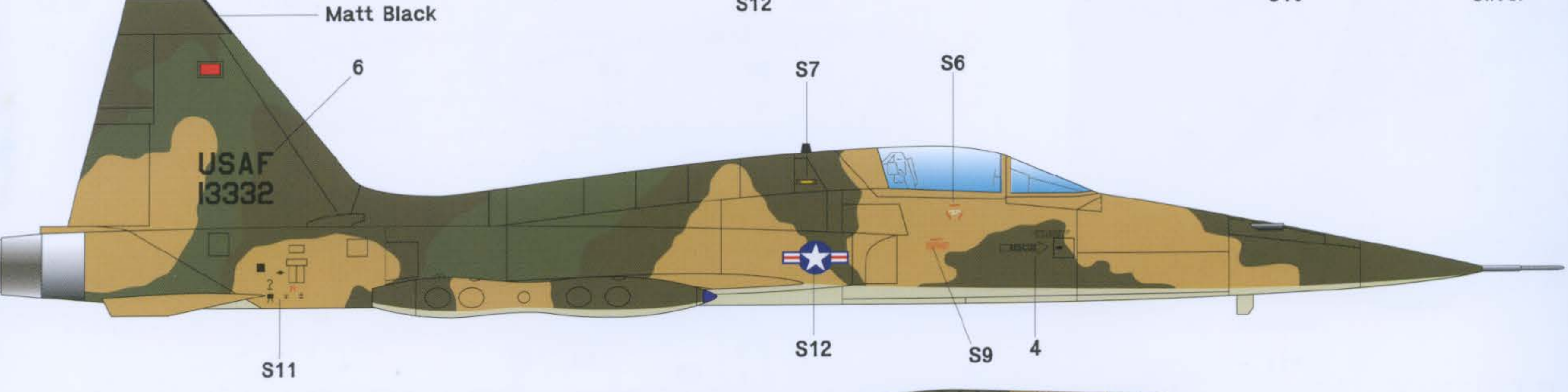
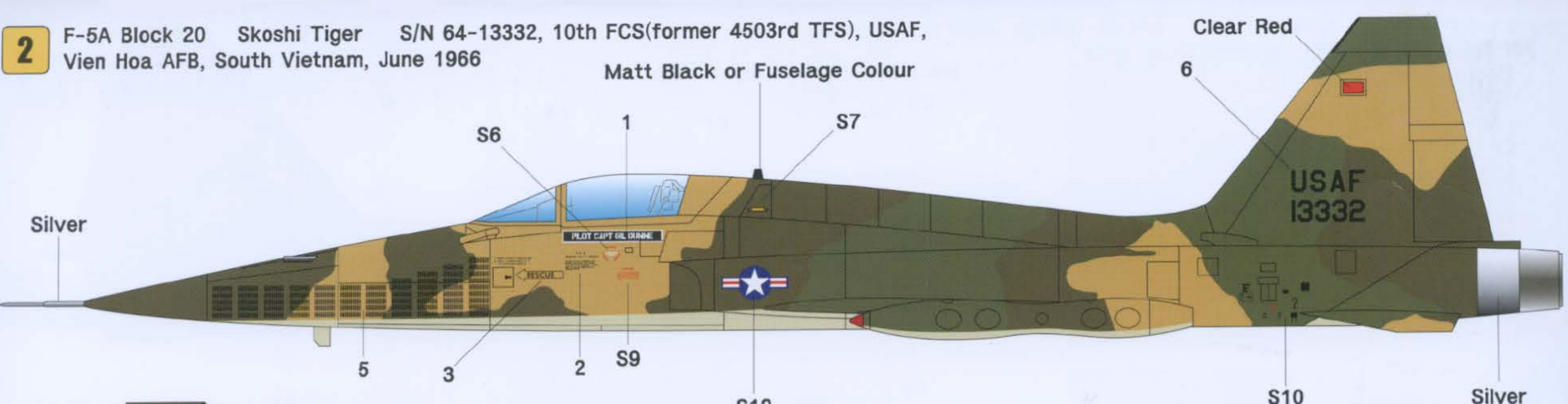
1 F-5C Block 25 Skoshi Tiger S/N 65-10525A, 4503rd TFS, USAF, Vien Hoa AFB, South Vietnam, Nov. 1965



*Color number GSI Creos Mr Color

C303	C309	C310	C311	MC214	C33
Green	Green	Brown	Grey	Dark Iron	Matt Black

2 F-5A Block 20 Skoshi Tiger S/N 64-13332, 10th FCS(former 4503rd TFS), USAF, Vien Hoa AFB, South Vietnam, June 1966



*Color number : GSI Creos Mr Color

C303	C309	C310	C311	MC214	C33
Green	Green	Brown	Grey	Dark Iron	Matt Black