

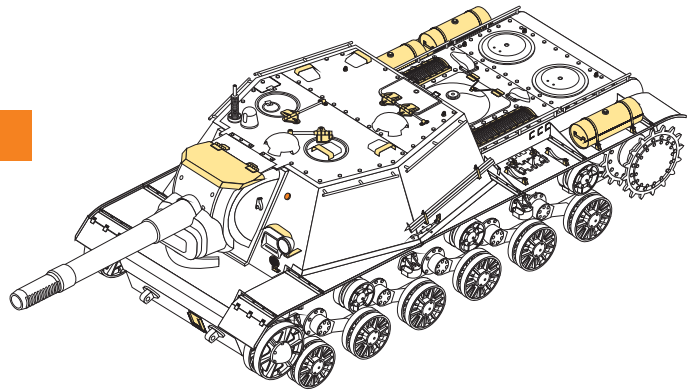
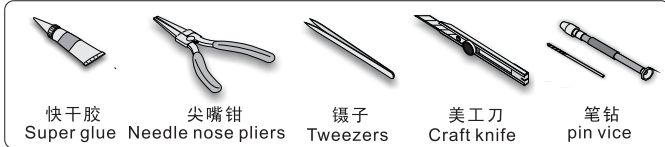
1/35 MILITARY MINIATURE VEHICLE UPGRADE SERIES PE35534











WWII Soviet SU-152 basic


二战苏联SU-152自走炮后期型基本改造件

[For BRONCO Cb35109 Cb35113]

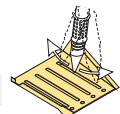
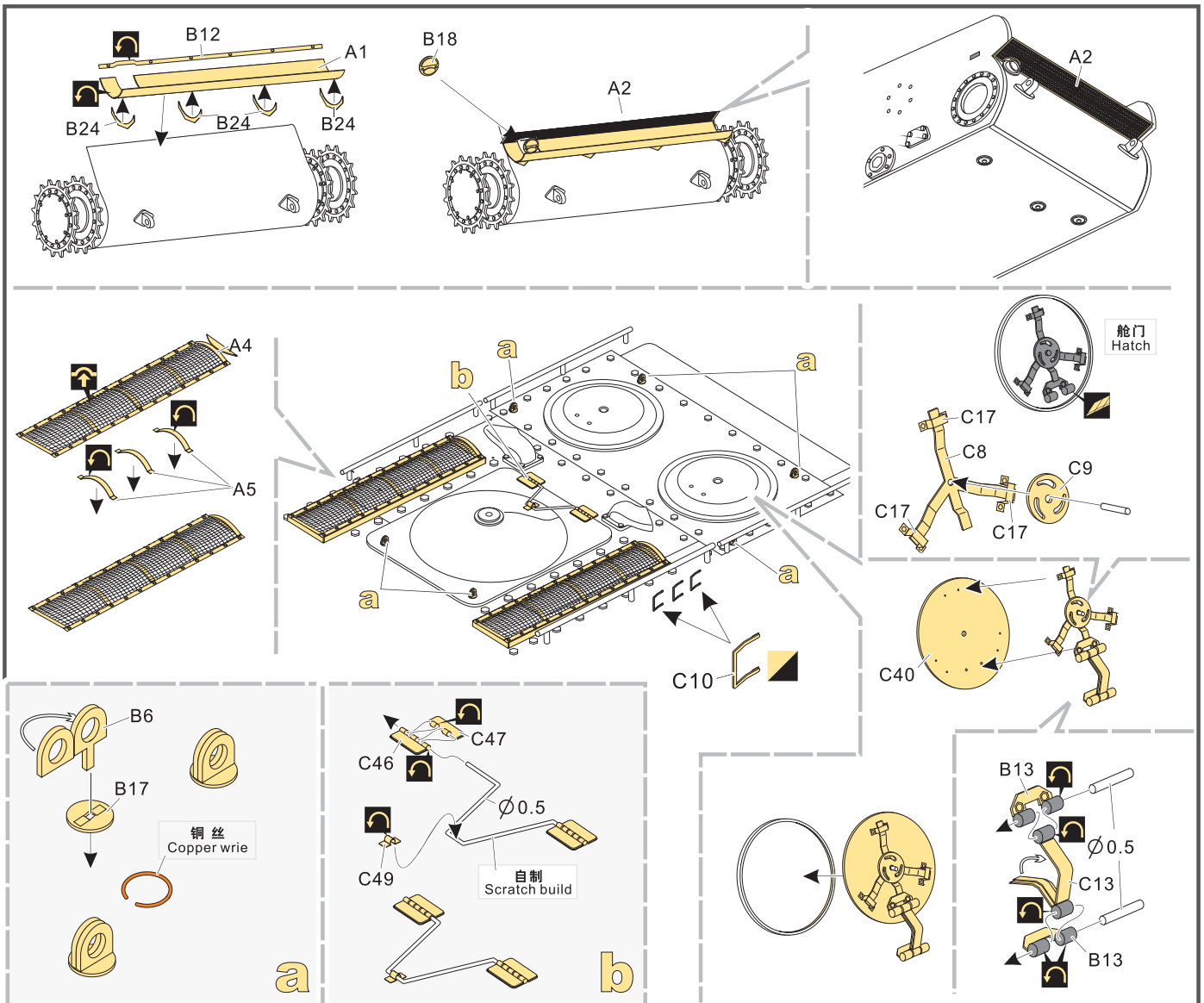
推荐使用工具 RECOMMENDED TOOLS



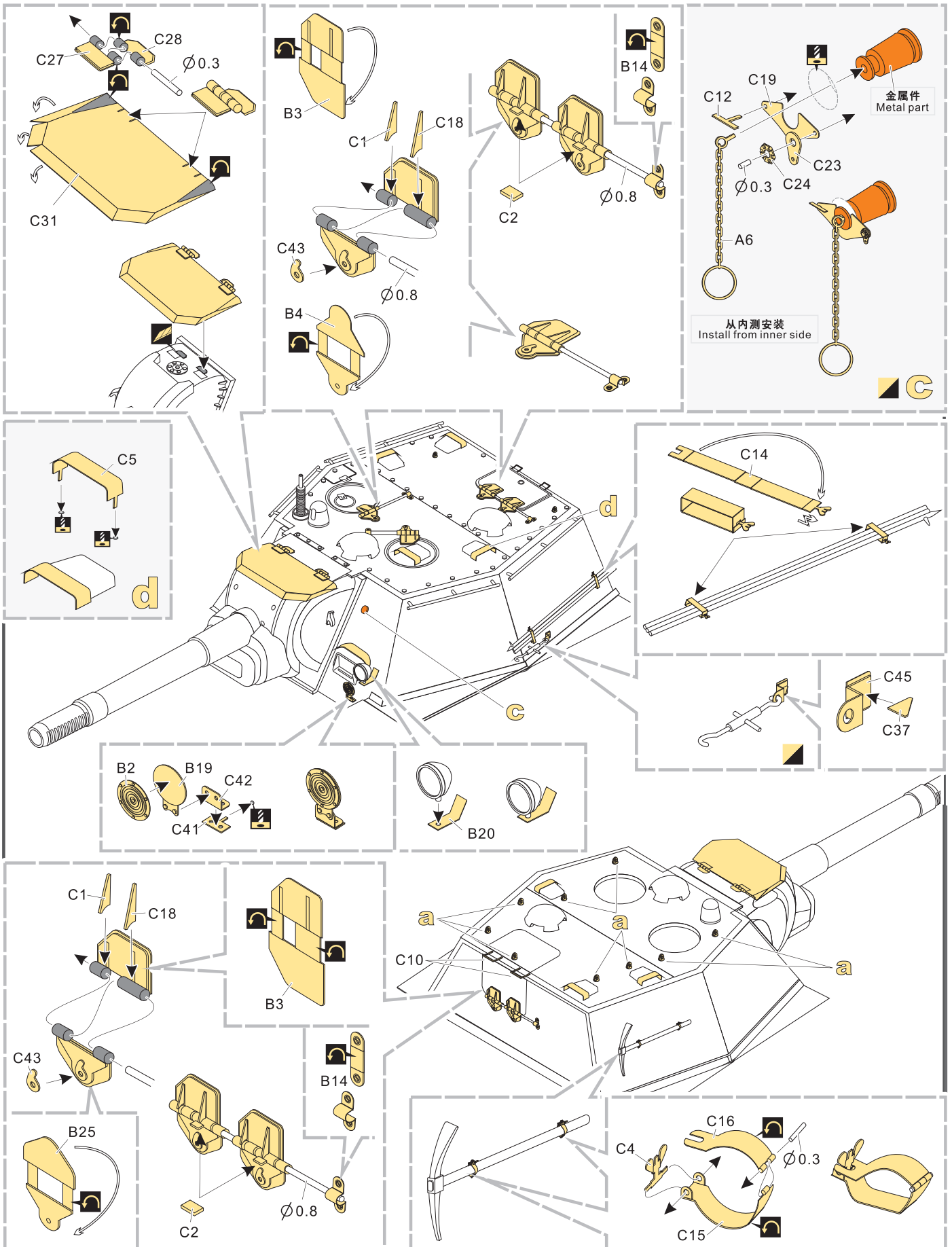
- 
 安装
install
- 
 折叠
bend
- A1**
 改造件零件编号
PE/resin part number
- B12**
 原零件编号
kit part number
- C22**
 被替换的原零件编号
replaced kit part number
- 
 另一侧相同制作
repeat on opposite side
- 
 切除
remove
- 
 打磨
grind off
- 
 弧度卷曲
radial bending
- 
 制作若干组
multiple assembly
- 
 选择安装
alternative
- 
 钻孔
drill
- 
 用胶棒制作
make from plastic rod


 用尖端在凹槽处冲压
use penpoint to press on the dent

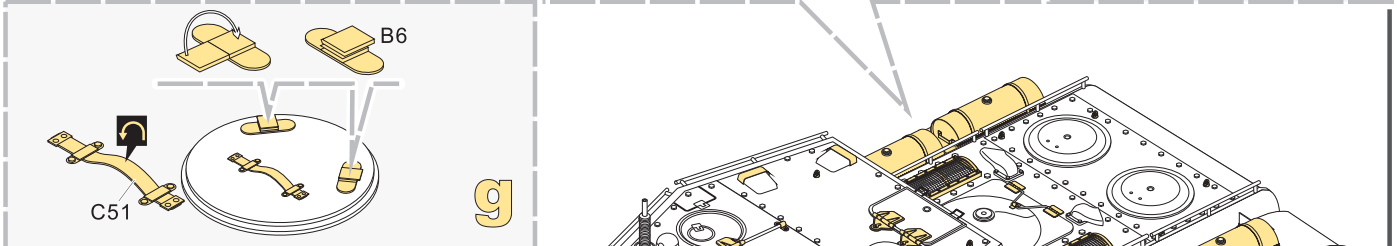
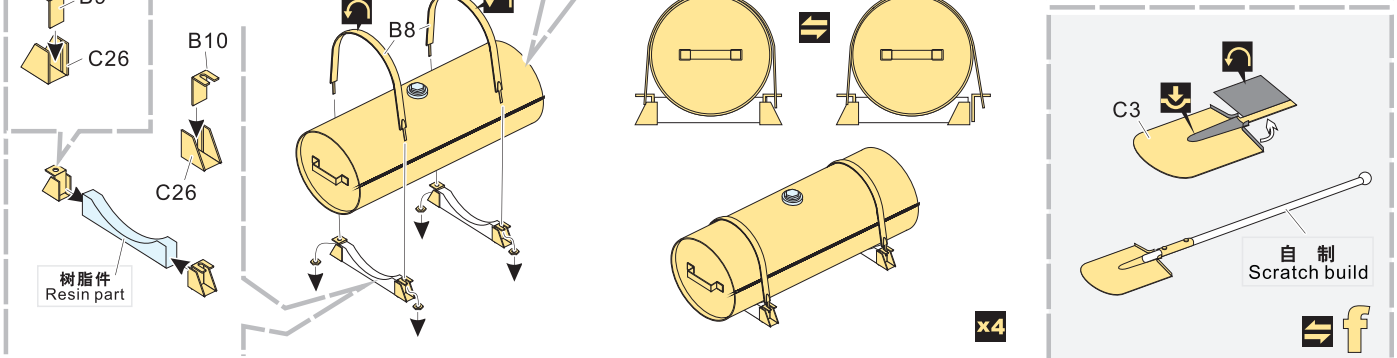
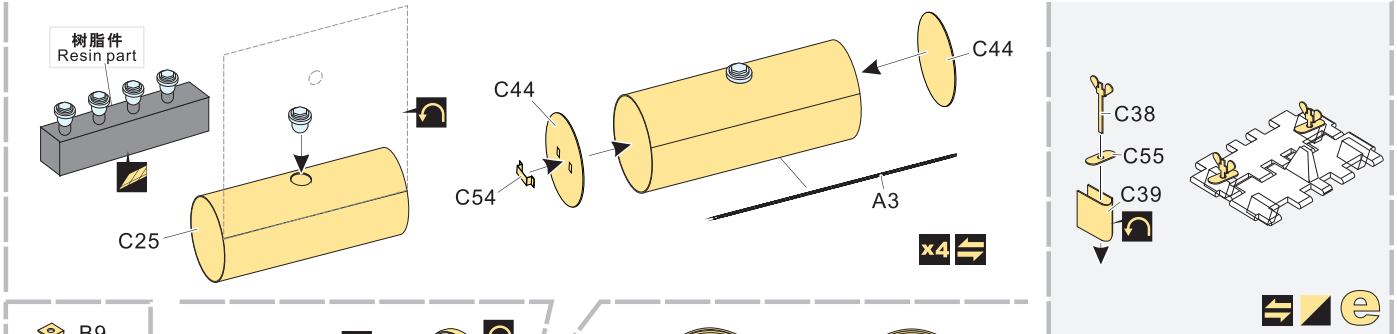
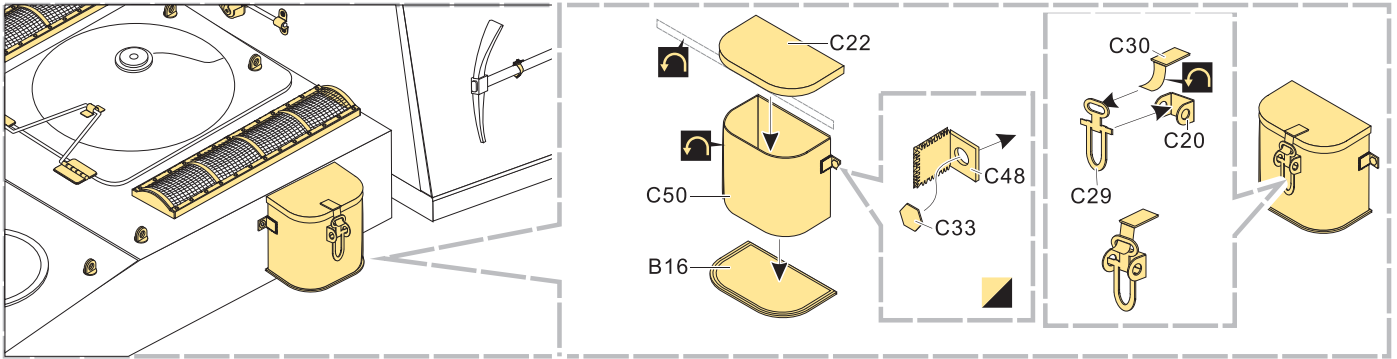
蚀刻片零件内侧面向上
Put the part upside down
 用笔尖在凹槽处刺
Use penpoint to press on the dent

1/35 MILITARY MINIATURE VEHICLE UPGRADE SERIES PE35534



1/35 MILITARY MINIATURE VEHICLE UPGRADE SERIES PE35534



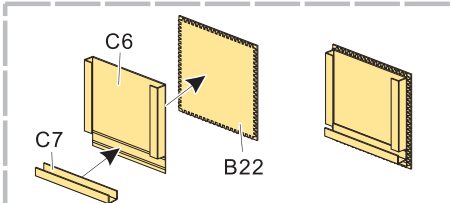
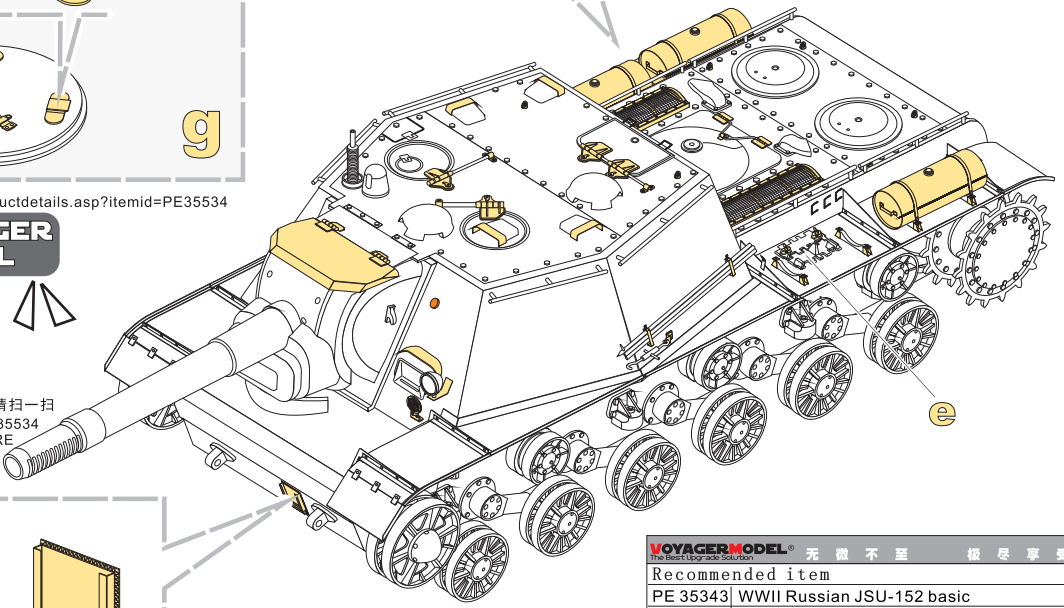
[Http://www.voyagermodel.com/productdetails.asp?itemid=PE35534](http://www.voyagermodel.com/productdetails.asp?itemid=PE35534)



**VOYAGER
MODEL**



更多PE35534样品照片参考请扫一扫
MORE PICTUER OF PE 35534
REFERENCE SCAN HERE



12345678901234567890

自由使用铸造号
optional cast serial numbers

| | |
|----------------------------------|--------------------------------------------|
| VOYAGERMODEL [®] | 无微不至 极尽享受 |
| Recommended item | |
| PE 35343 | WWII Russian JSU-152 basic |
| PE 35344 | WWII Russian JSU-122/JSU-152 Fenders |
| PE 35494 | WWII Soviet SU-152 late production Fenders |
| PE 35535 | WWII Soviet SU-152 Fenders |
| PEA 194 | WWII Russian tank Stenciling template1 |