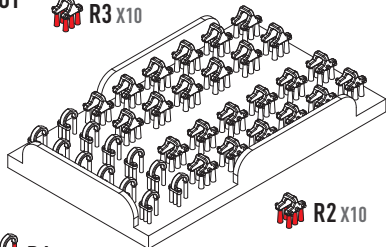


CUT

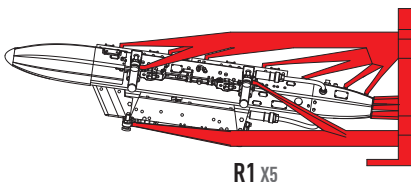
 R3 X10



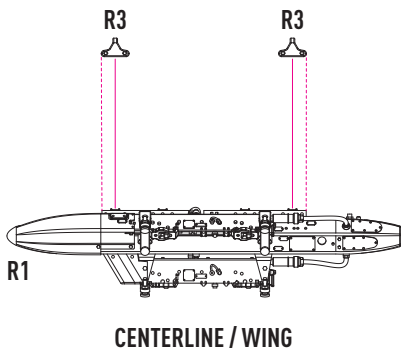
 R2 X10

 R4 X10

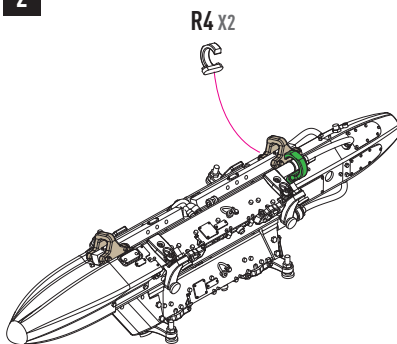
USE A SAW TO REMOVE SUPPORTS  
FROM 3D PRINTED PARTS



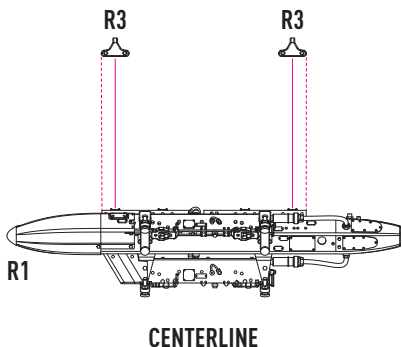
### 1 FOR A-7 / S-3 / F-4



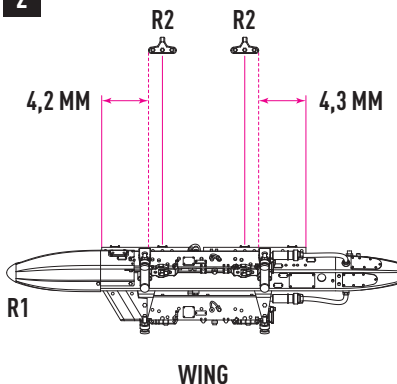
### 2



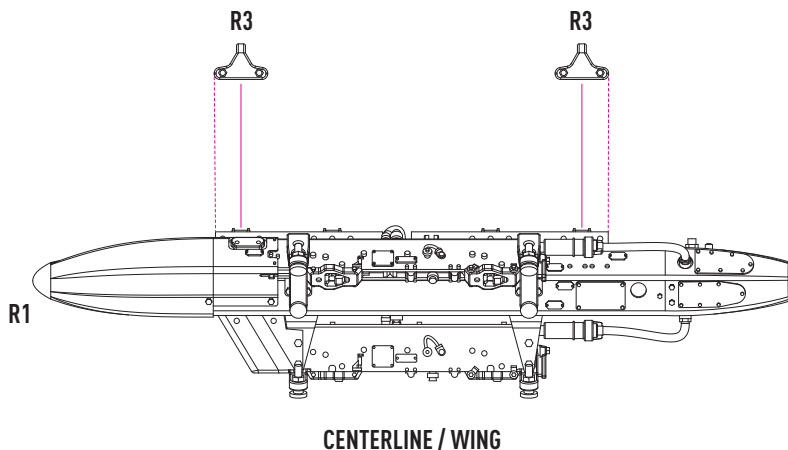
### 1 FOR A-4 SKYHAWK



### 2



### 1 FOR A-6 INTRUDER



### DECAL INSTRUCTION

