

Veru TK

1:32 Scale

ITEM NO.:83206



# Spitfire MK.Vb/ Trop

スピットファイア Mk.Vb/Trop 英国“喷火”MK.Vb/Trop热带型战斗机

### PLEASE READ BEFORE OPERATION!

- \* Tools recommended as below: (Not included)  
Adhesives; Paints; Side Cutters; Sharp Edged Pliers; Modeling Knife; Modeling File; Nippers; Drill; Scissors; Sand Paper; Soft Cloth; Cyanoacrylate Glue.
- \* Make sure to read this instruction listed below before assembling.
- \* The kit contains the small parts, they can be dangerous if swallowed by mistake, so keep them away from reach of children.
- \* Cut the all parts off carefully and remove the waste parts into the garbage can.
- \* More caution and care should be needed for cutting and handling the photo etched parts.
- \* Make attention that some parts should be attached the decal when assembled.
- \* During assembling, please tear up and throw away the plastic bags, or may cause the dangerous if wearing over head by children's mistake.
- \* When using the adhesives and paints, please do not use them in the closed room or near the fire, also must be very careful to protect your eyes, face and clothes.
- \* Adult supervised when assembled by children under 14 years old.

### 装配前请仔细阅读:

- \* 推荐使用的模型工具(请自备):  
专用模型胶水, 专用模型油漆, 水口剪刀, 长咀钳, 刀片, 锉刀, 镊子钳, 钻, 剪刀, 软布, 砂纸, 瞬间快干胶等。
- \* 用水口剪刀或刀片小心切下所有塑胶零件和蚀刻片零件, 不要遗失小零件。
- \* 切取蚀刻片时应特别注意防止利边划伤手指。
- \* 用模型锉刀小心锉平所有零件表面的注射浇口。
- \* 用适量的强力快干胶水粘合蚀刻片零件和金属轴, 切忌过量, 否则可能导致可动零件被粘住。
- \* 注意某些零件表面需在装配时同步贴水上贴纸。
- \* 制作时应远离幼儿并将包装袋及时收妥, 谨防小孩玩耍而引起意外。



cyanoacrylate glue  
强力胶



weight  
配重



make hole  
钻孔



cut / remove  
切除



option  
选择



no cement  
不涂胶水



decal  
贴纸



bend  
弯曲



repair  
填补

### The method to apply the decals

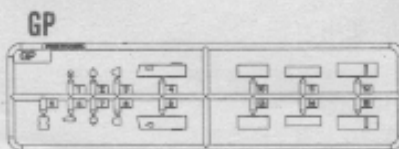
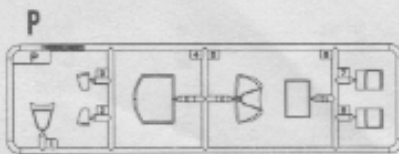
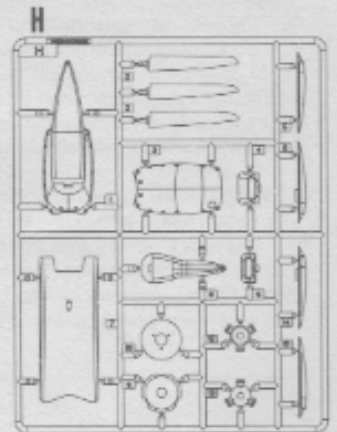
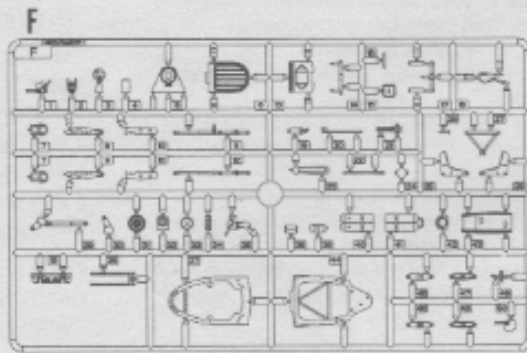
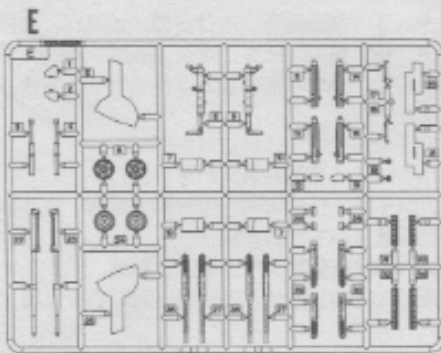
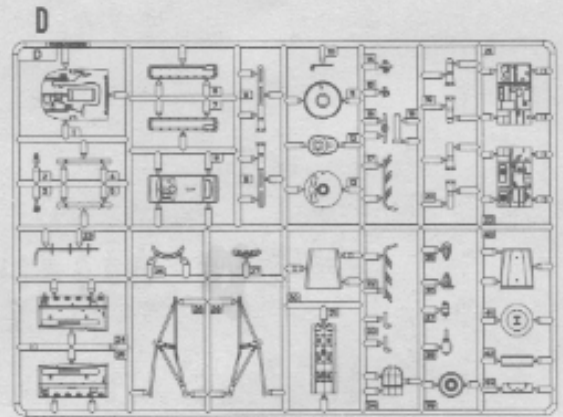
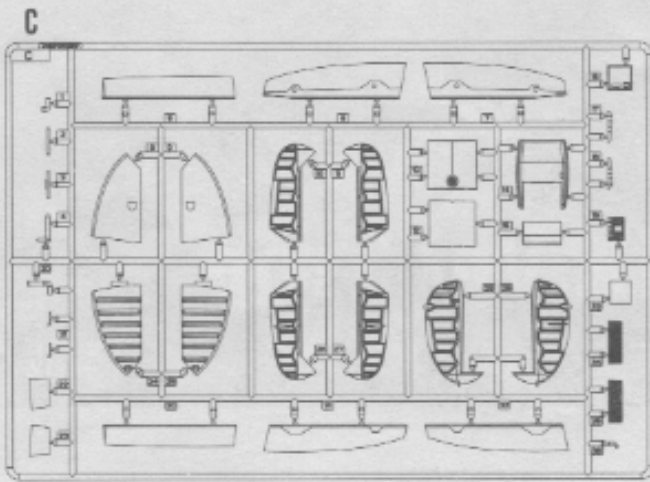
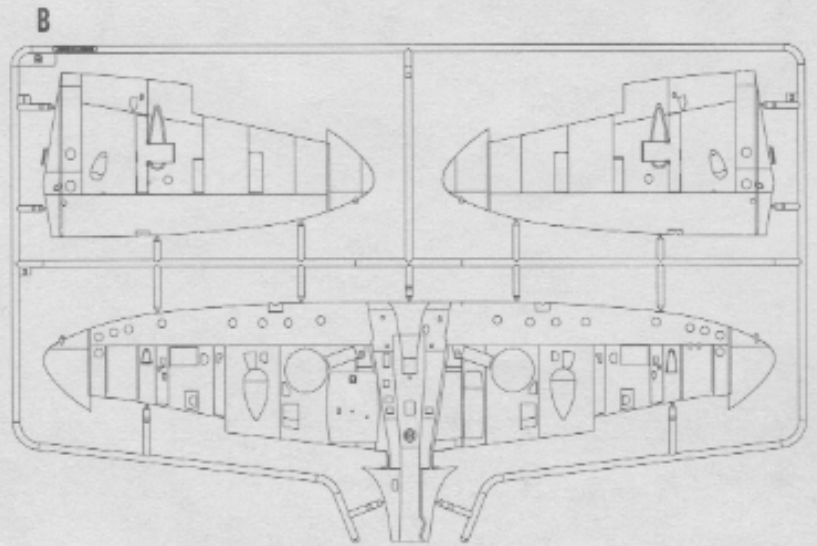
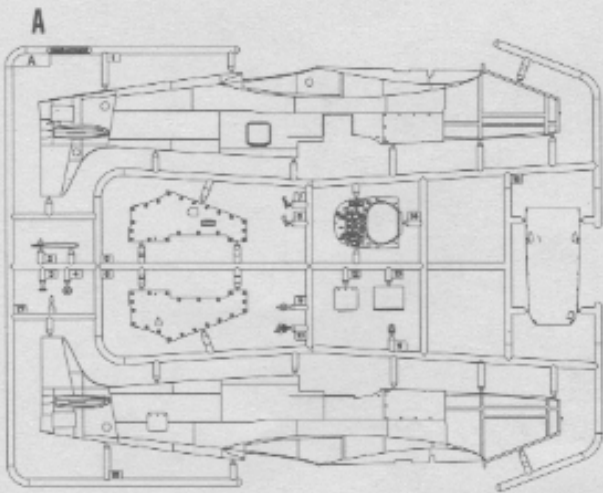
1. Cut off the decal from the decal paper and put it into the warm water 40°C for 10 seconds.
2. Take the decal from the water and put it on a piece of clean cloth.
3. Remove the decal slowly from the paper to the targeted location by a wet finger.
4. Use a piece of dry and soft cloth to press it gently on the decal until it getting dry and no bubble existing.

### 水贴纸的使用方法:

- 一. 把相关的印花从水贴上剪下, 放入40°C左右的温水中浸10秒。
- 二. 然后将印花放在干净的布上。
- 三. 拿上印花纸板, 手指蘸水将印花移到适当的位置。
- 四. 用软干布轻压印花直至水干, 气泡消失。

部品图

Parts



《主轮胎》X2  
Main Tyre



《蚀刻片》  
Photo etched parts(PE)



不用的部件: F49  
Unused parts

《水帖》  
Decal

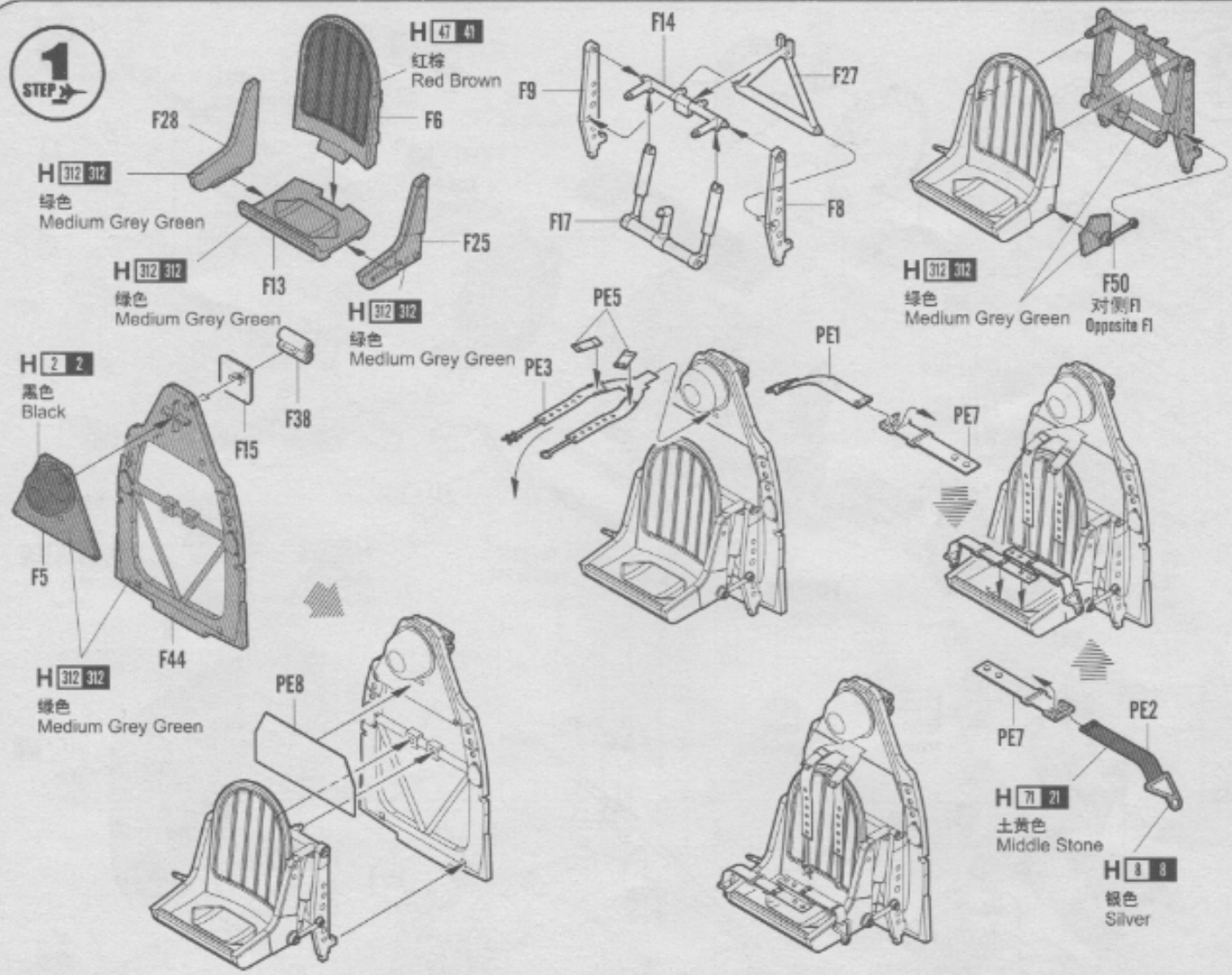


A

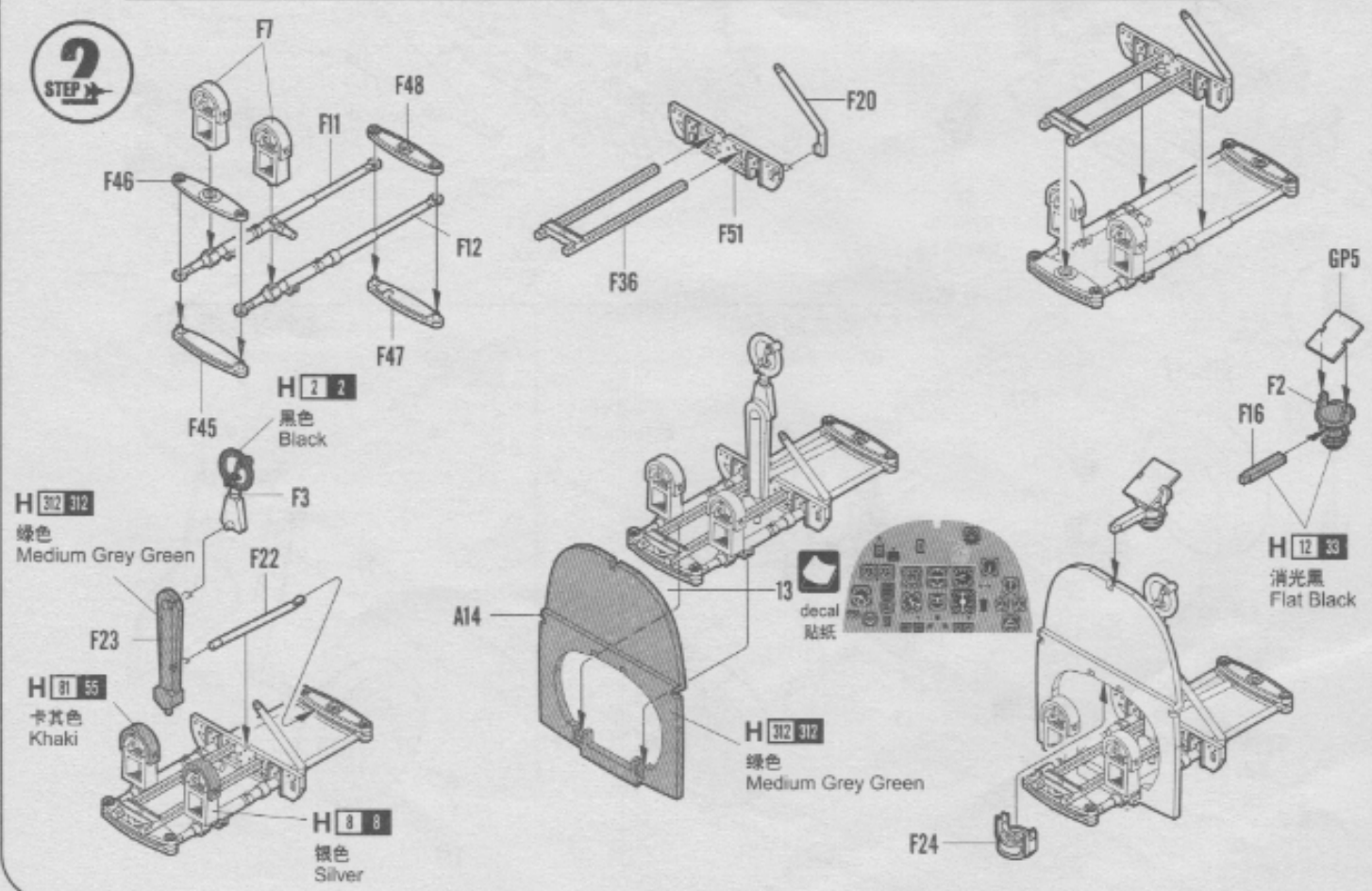


B

**1**  
STEP

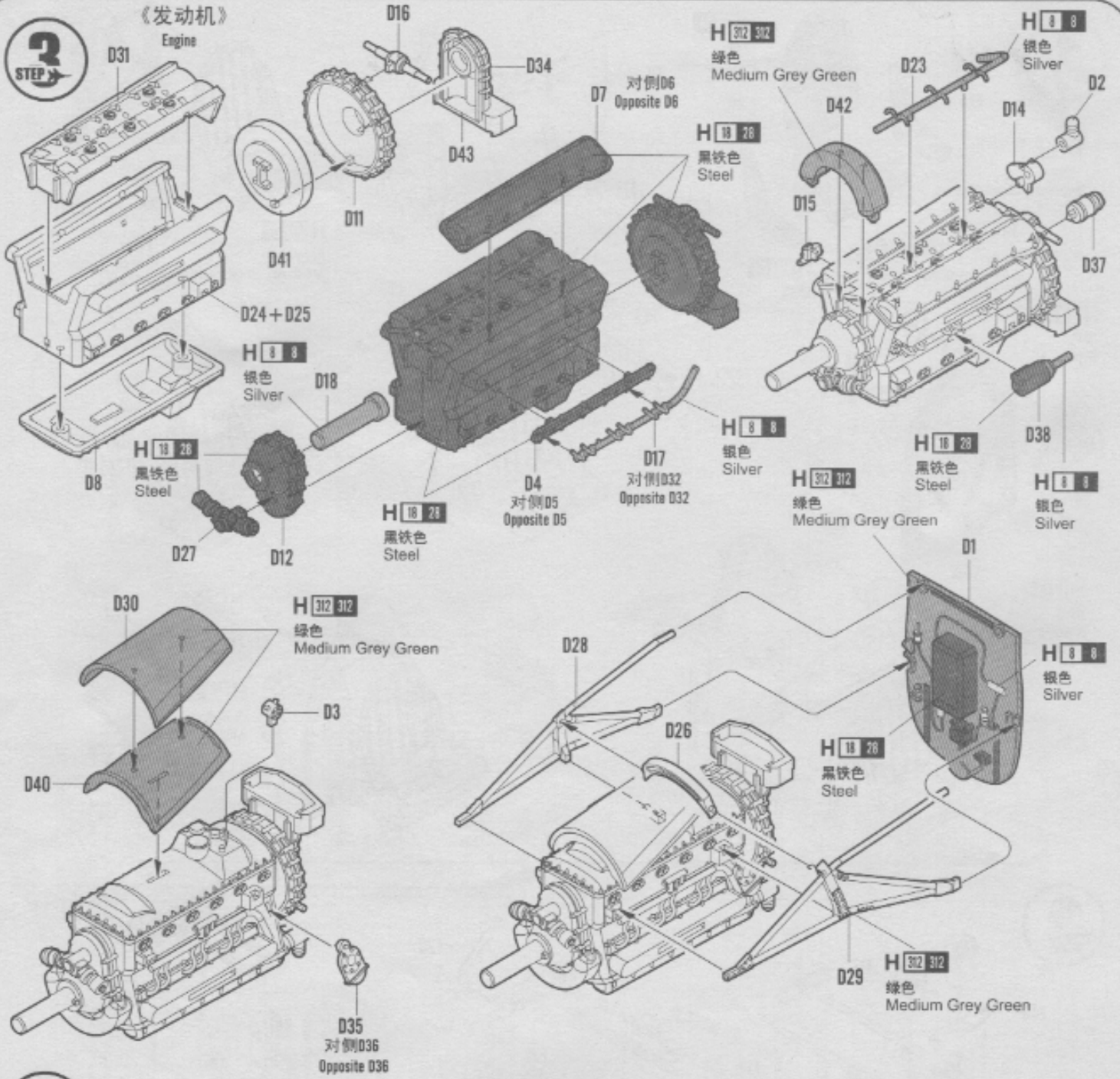


**2**  
STEP



**3**  
STEP

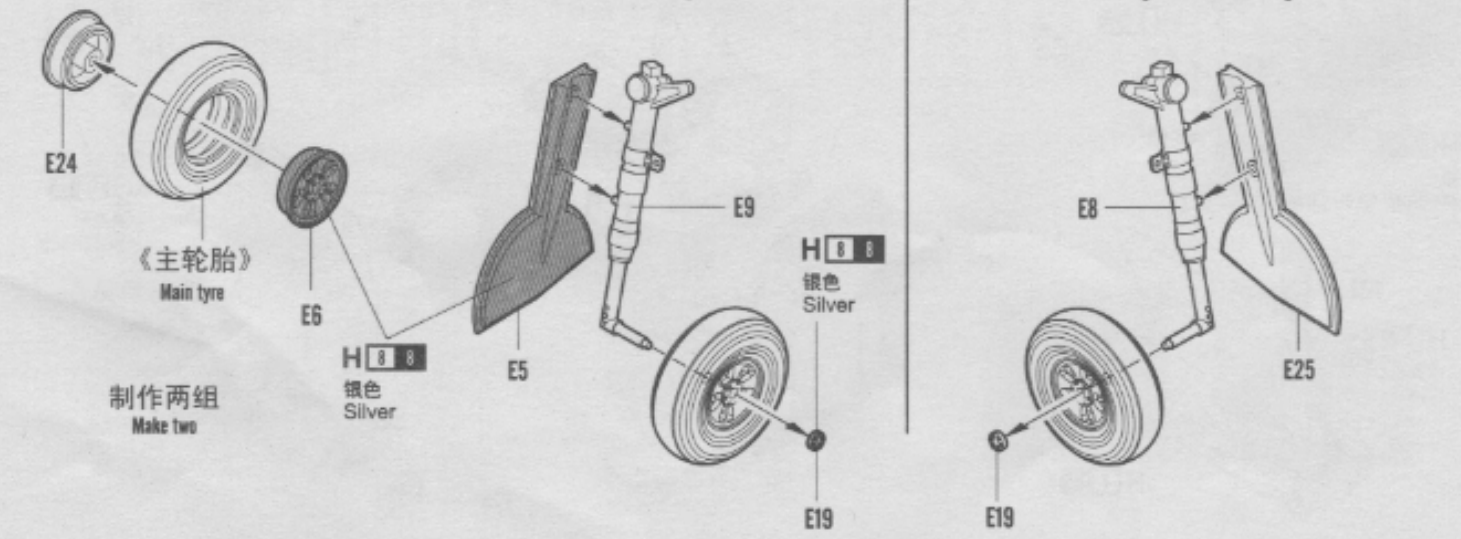
《发动机》  
Engine



**A**  
STEP

《左侧主起落架》  
Left main undercarriage

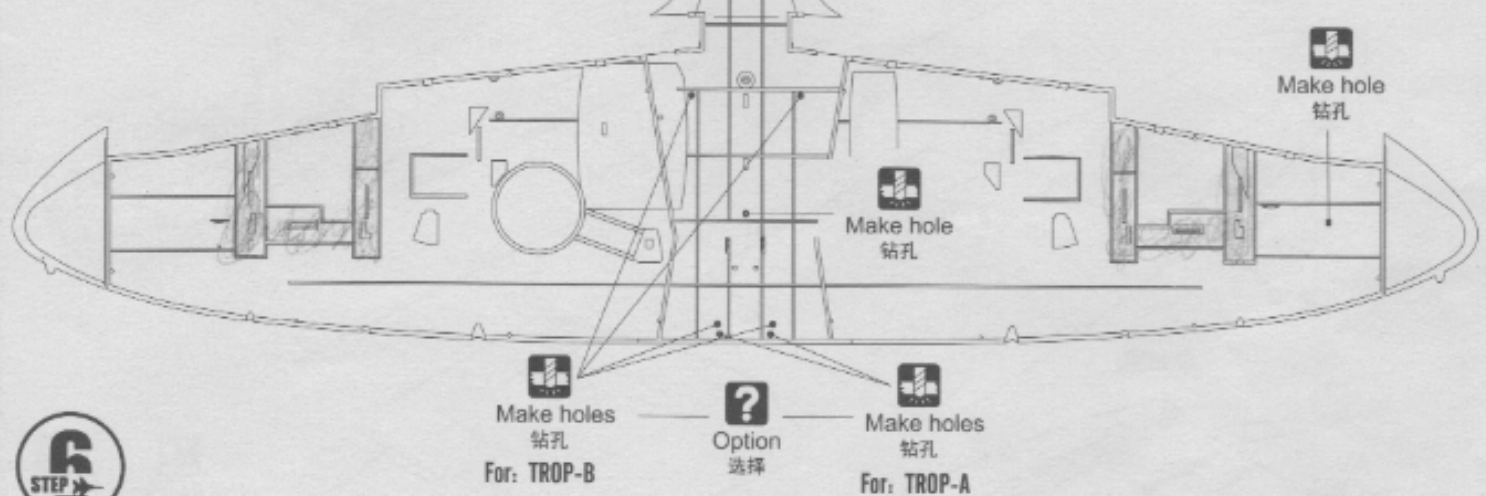
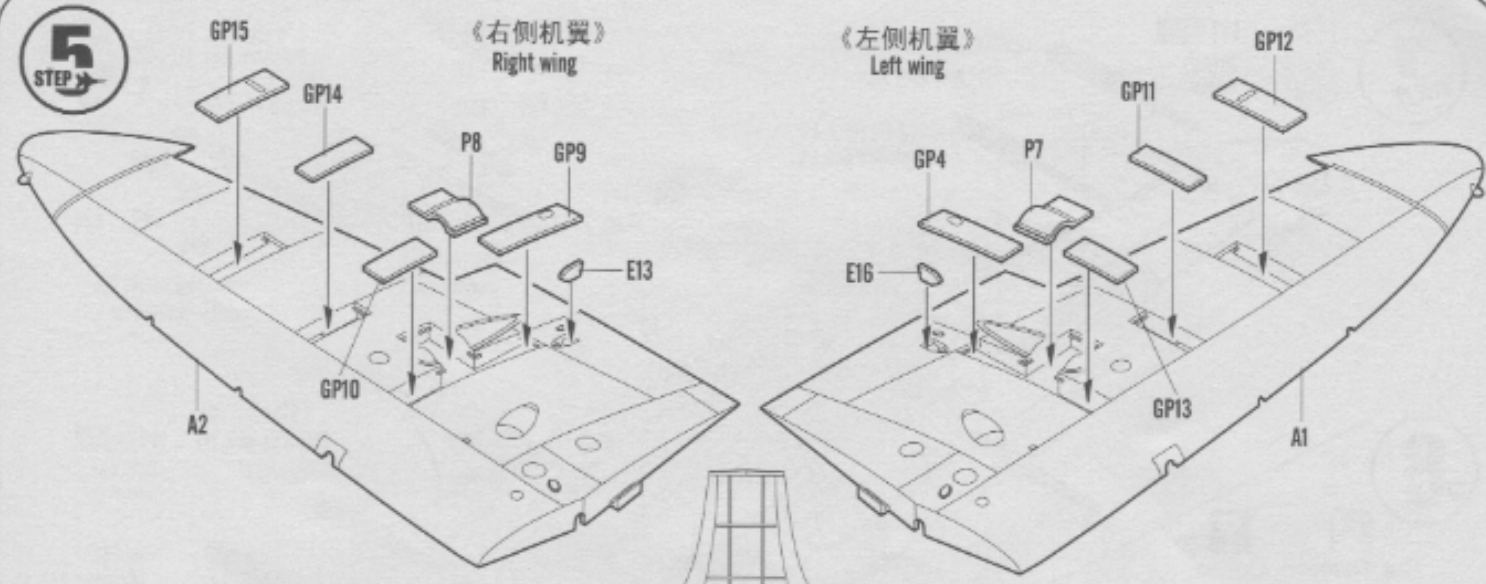
《右侧主起落架》  
Right main undercarriage



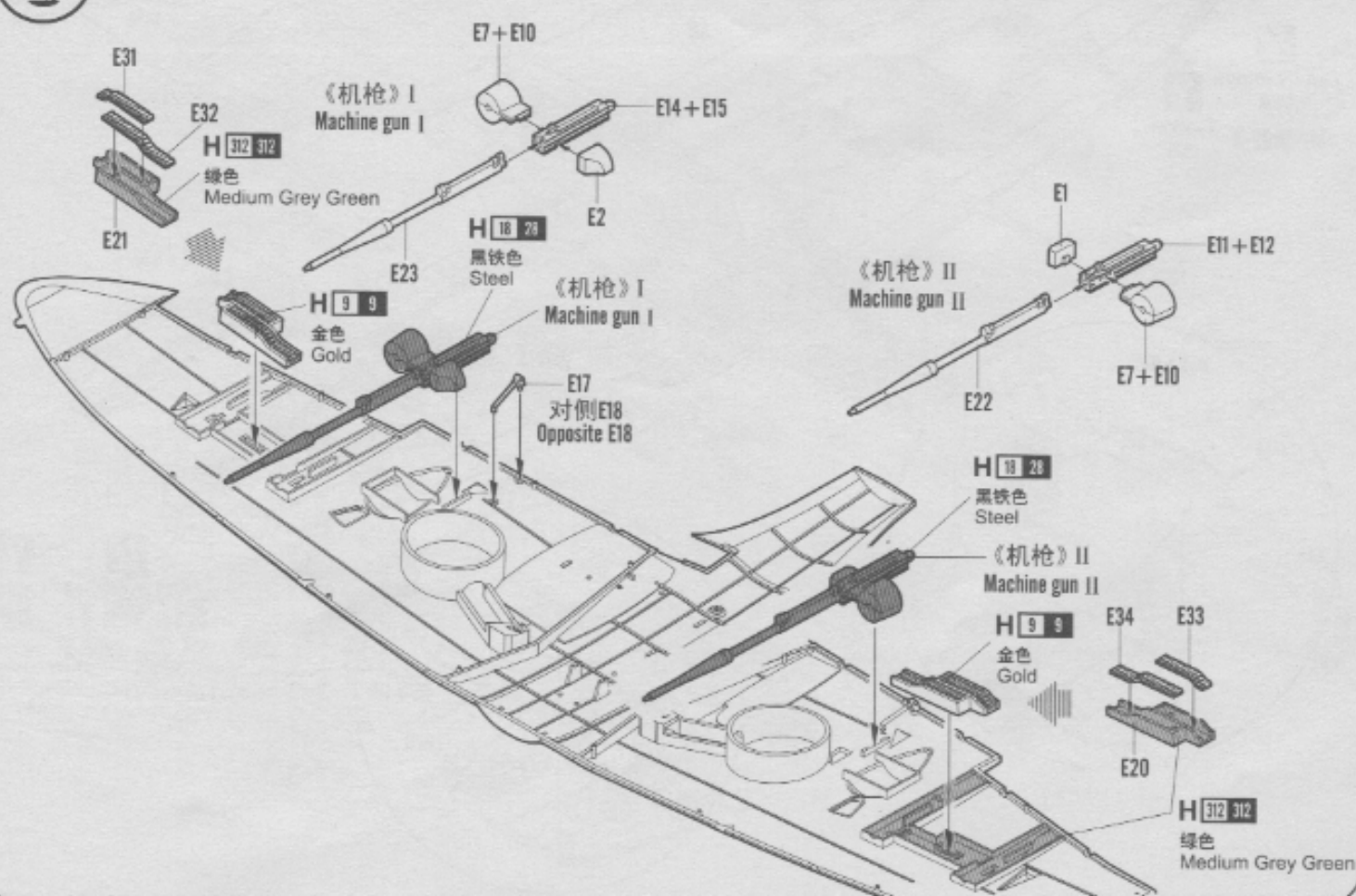
《主轮胎》  
Main tyre

制作两组  
Make two

**5**  
STEP



**6**  
STEP



**7**  
STEP

H 18 28

黑铁色  
Steel

《机枪》III  
Machine gun III

《机枪》IV  
Machine gun IV

《机枪》III  
Machine gun III

《机枪》IV  
Machine gun IV

E28

E30

E27

制作两组  
Make two

E26

E29

E28

制作两组  
Make two

E4

E3

《机枪》III  
Machine gun III

H 18 28  
黑铁色  
Steel

《机枪》IV  
Machine gun IV

**8**  
STEP



Cut/Remove  
切除



Option  
选择



Cut/Remove  
切除



Option  
选择



Cut/Remove  
切除

For: TROP-A  
Option  
选择



Cut/Remove  
切除



Option  
选择

For: TROP-A

H14 + H15

GP3

H5 + H6

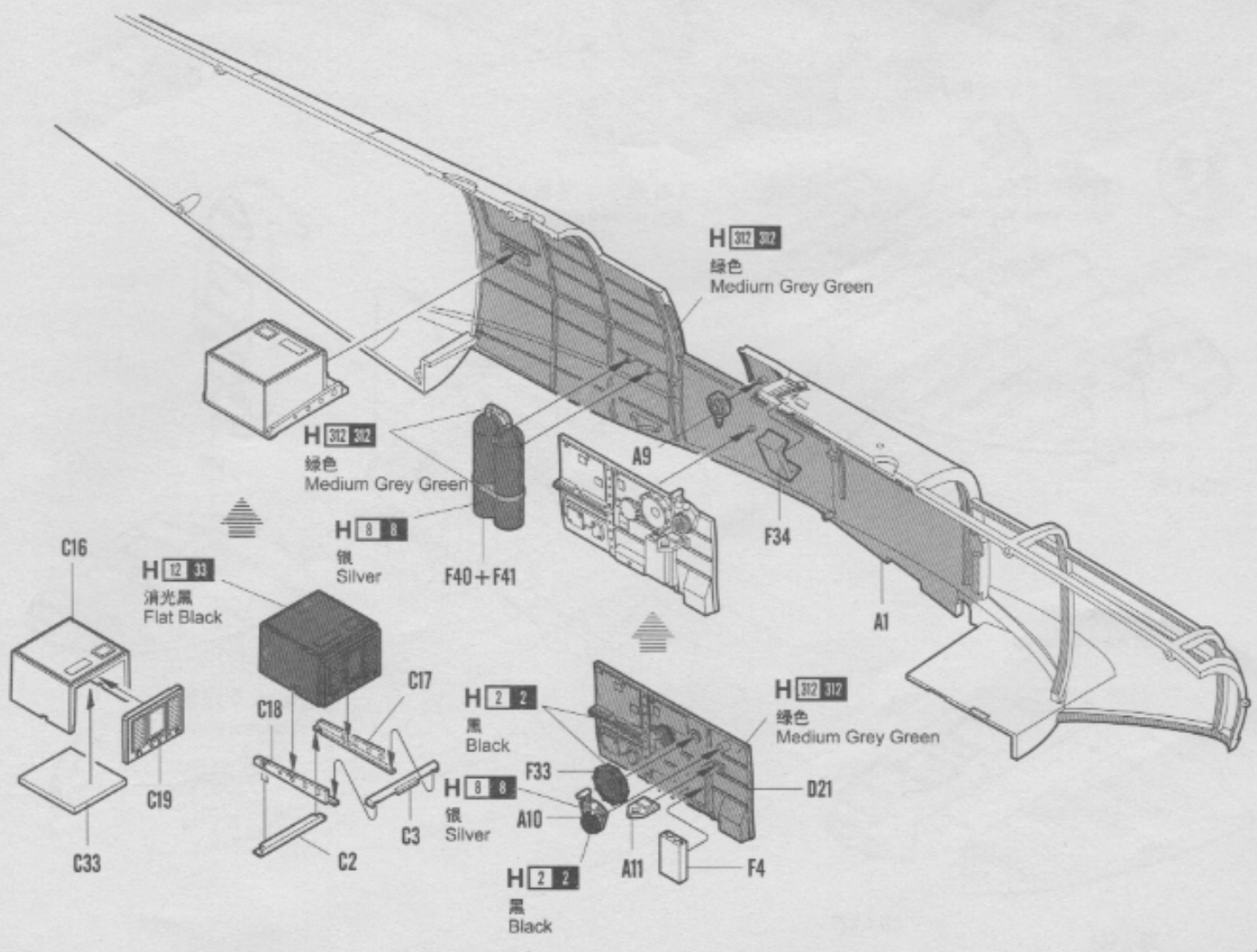
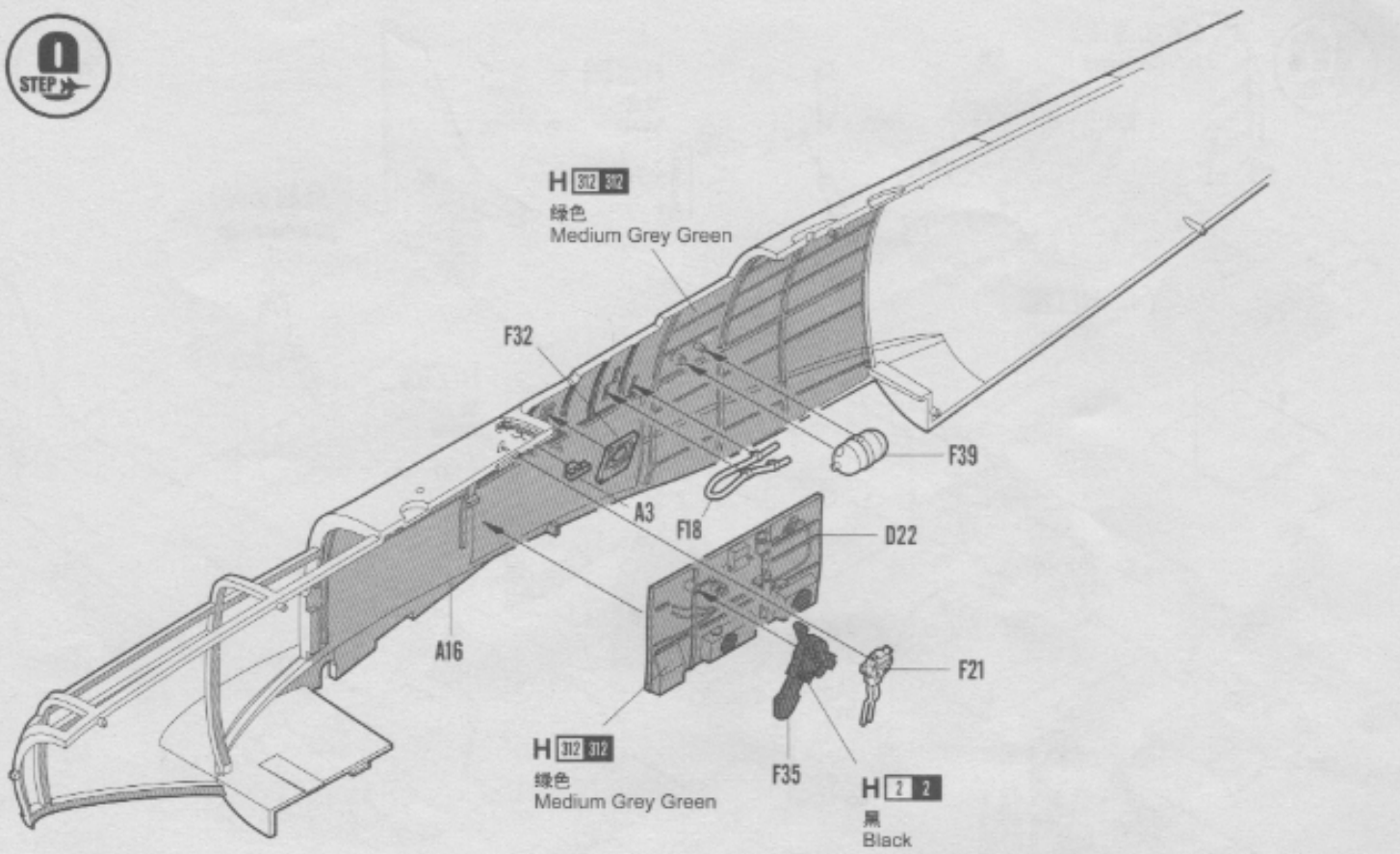
GP8

C7 + C31

C5

C30

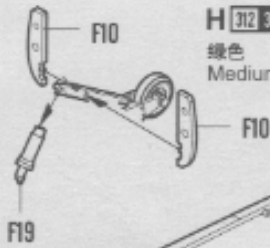
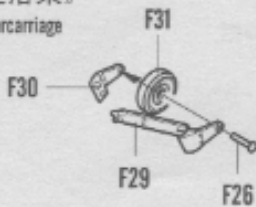
C6 + C32



**10**  
STEP

《尾起落架》

Tail undercarriage



H 312 312

绿色  
Medium Grey Green

《尾起落架》

Tail undercarriage



H 3 3

红  
Red

H 8 8

银  
Silver

F37

《发动机》

Engine

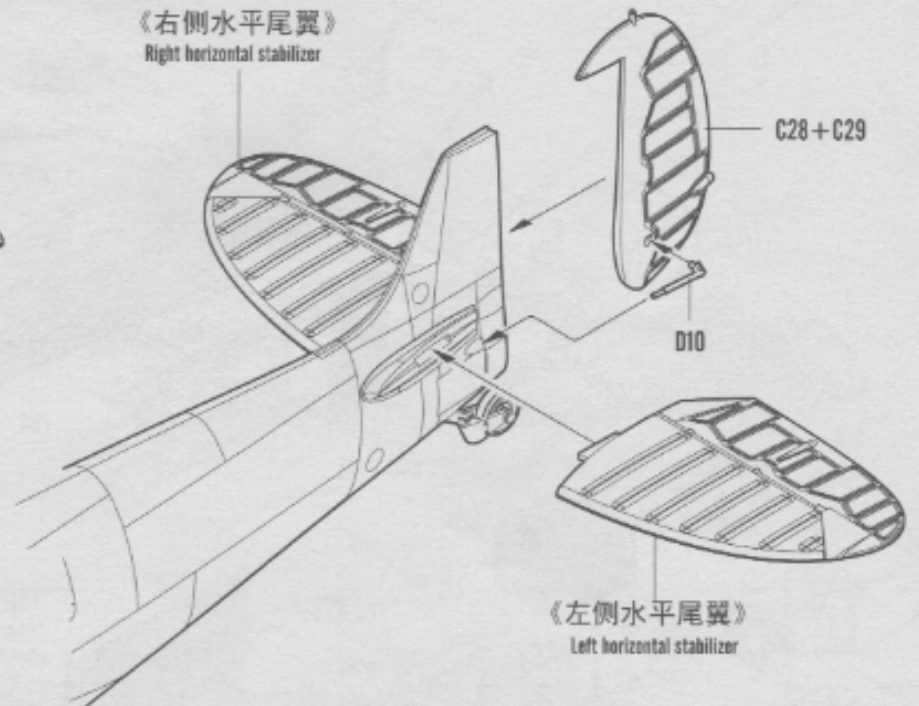
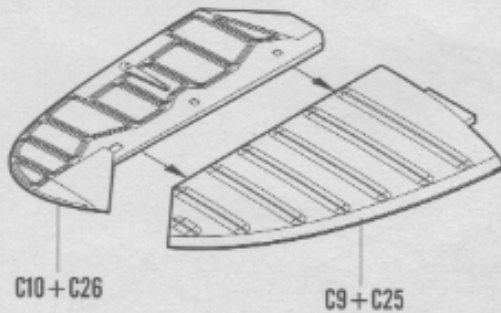
**11**  
STEP

《右侧水平尾翼》

Right horizontal stabilizer

《右侧水平尾翼》

Right horizontal stabilizer



C28+C29

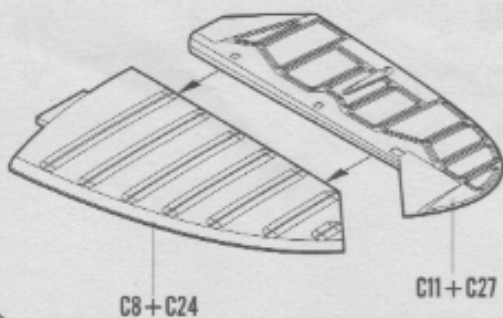
D10

《左侧水平尾翼》

Left horizontal stabilizer

《左侧水平尾翼》

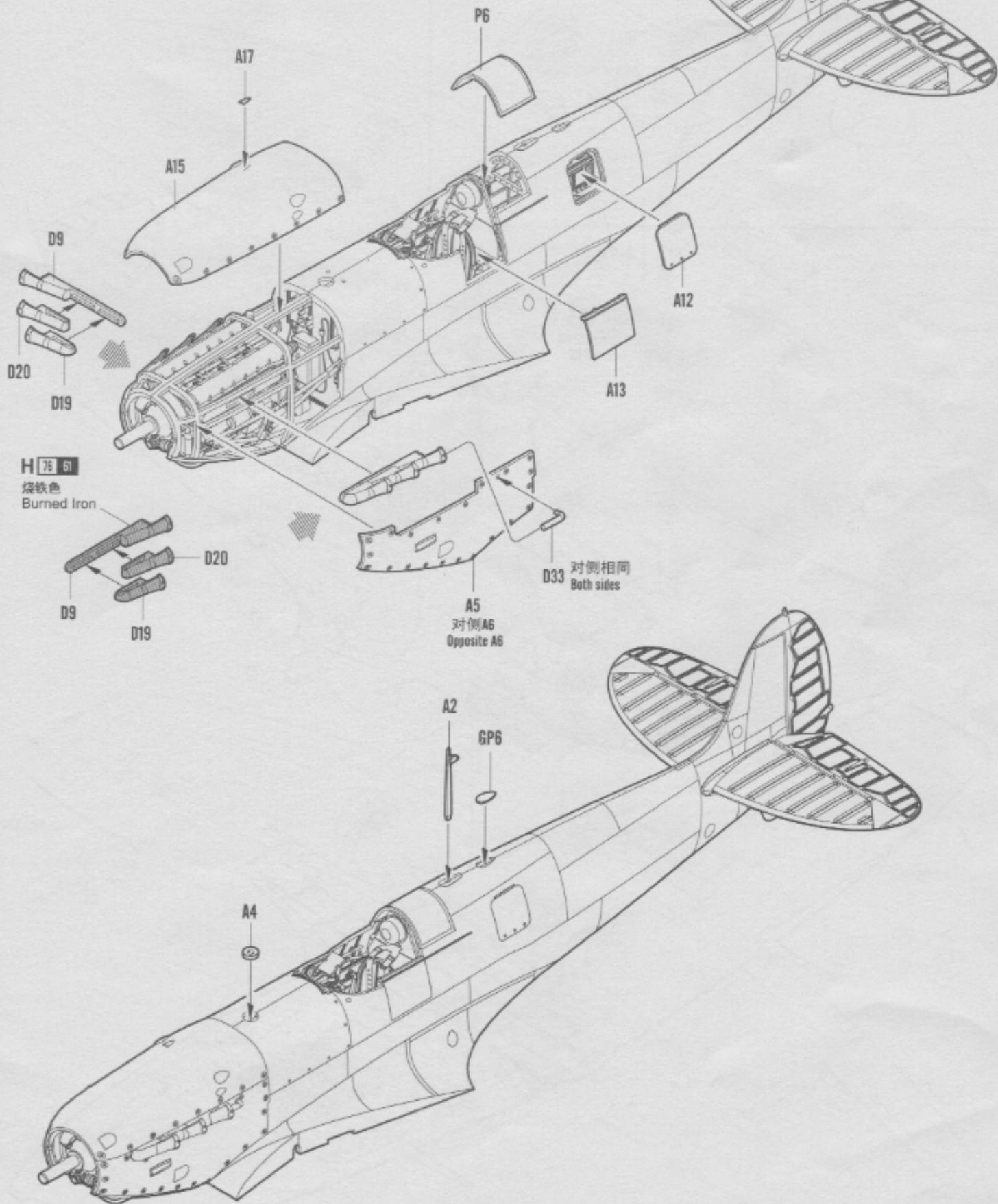
Left horizontal stabilizer



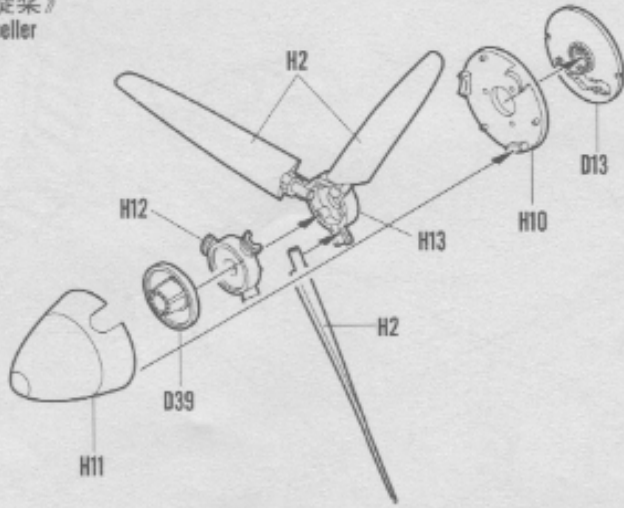
C8+C24

C11+C27

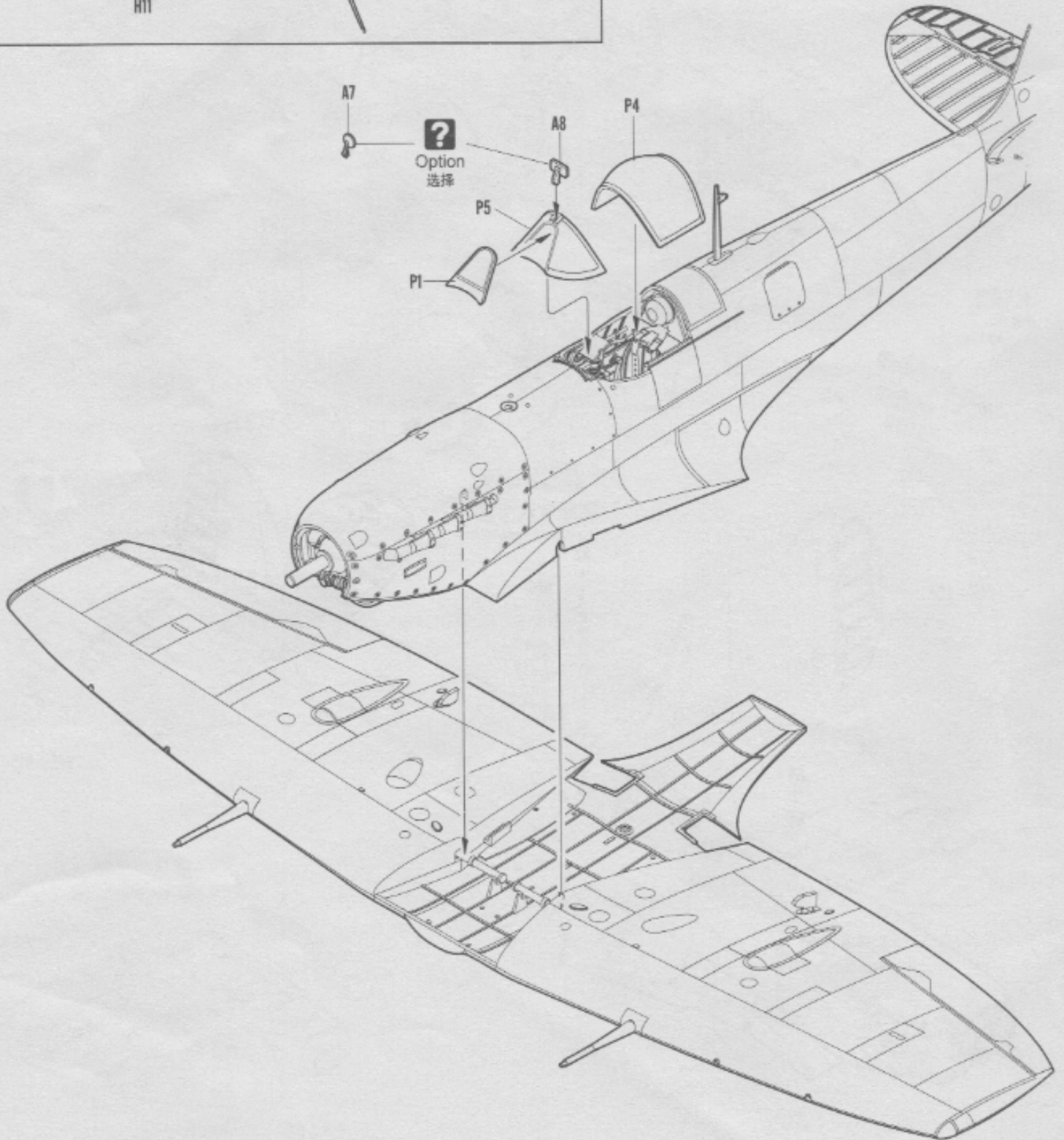




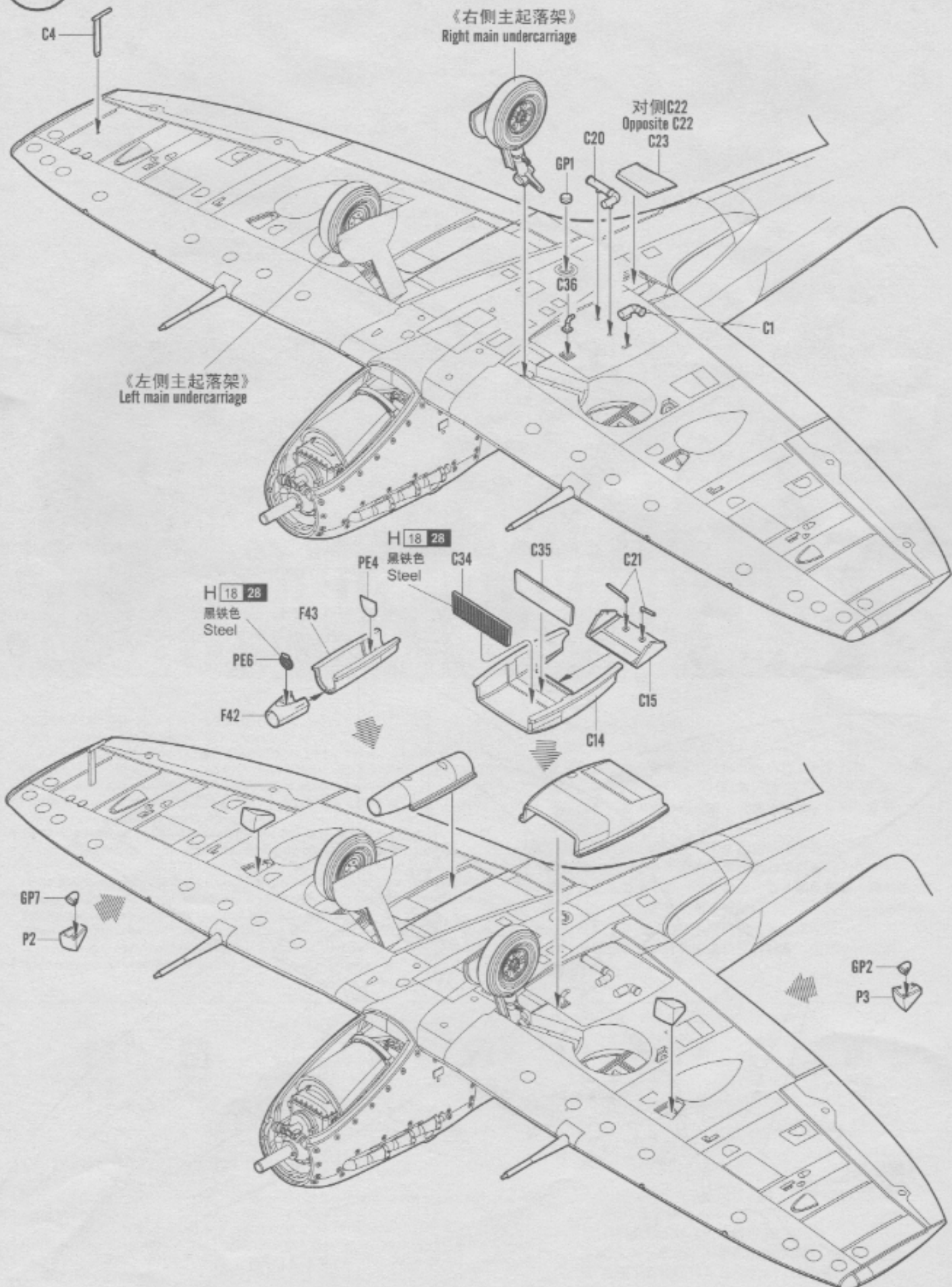
《螺旋桨》  
Propeller



13  
STEP

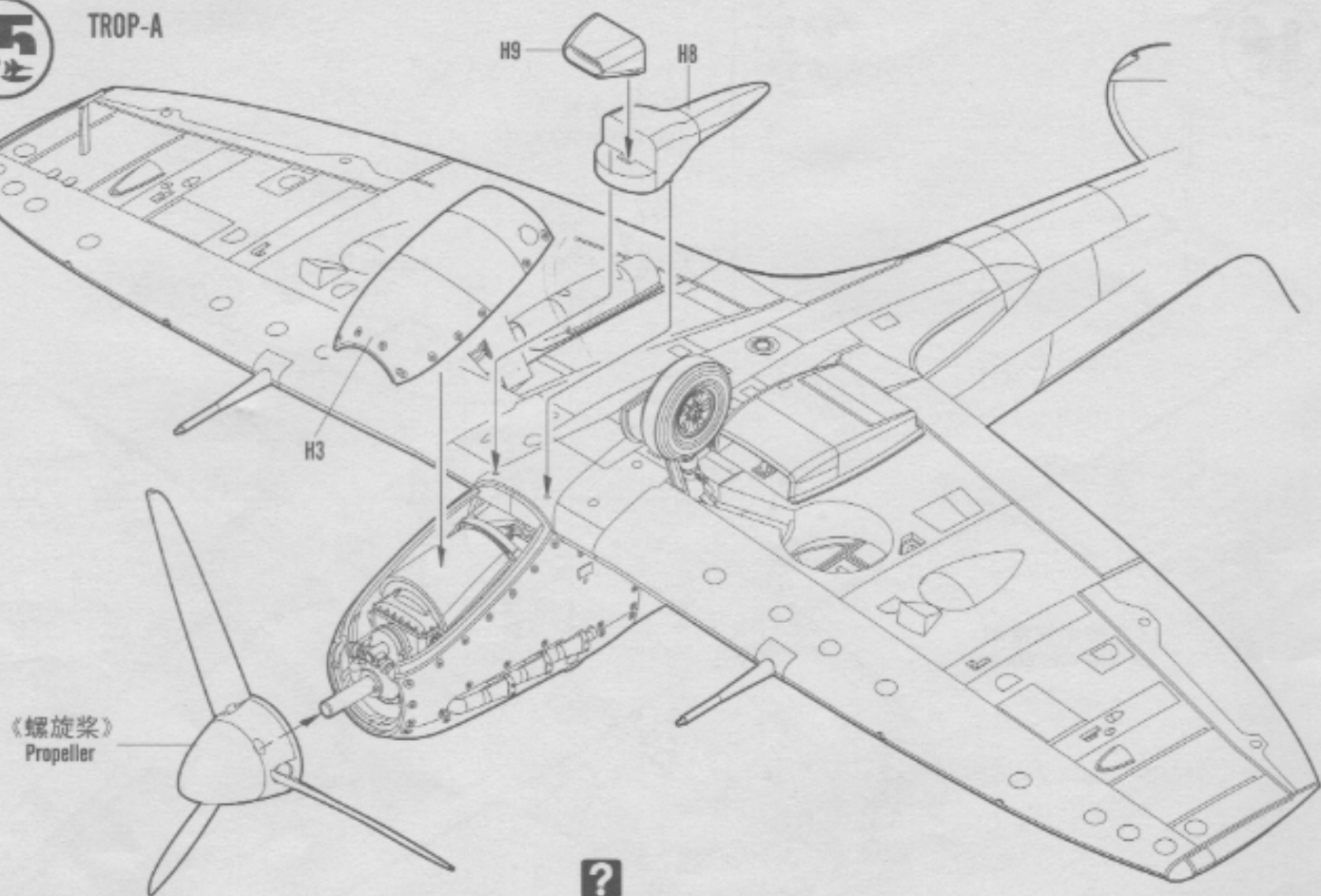


**1A**  
STEP



15  
STEP

TROP-A



Option  
选择

TROP-B

