



# Avia S-199



# Avia S-199

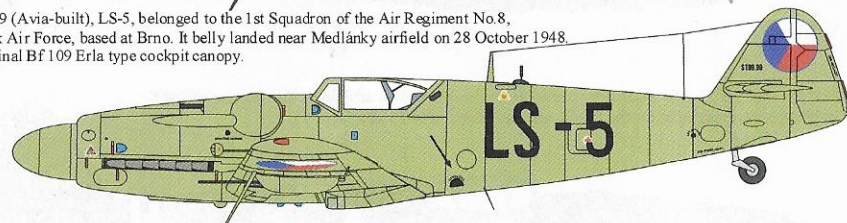
HMD72064

## "The Mule" in the Czechoslovak and Israeli service

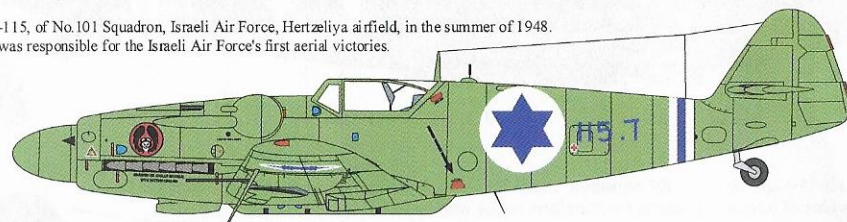
Avia S-199.165 (Avia-built), PS-15. It was on the strength of the 1st Squadron, 18th Fighter Air Regiment, Czechoslovak Air Force, in the period from April – July 1952. Home based at Plzeň-Bory airfield, this aeroplane crashed near the city of Příbram on 23 July 1952, piloted by F/O Vladislav Petráš.



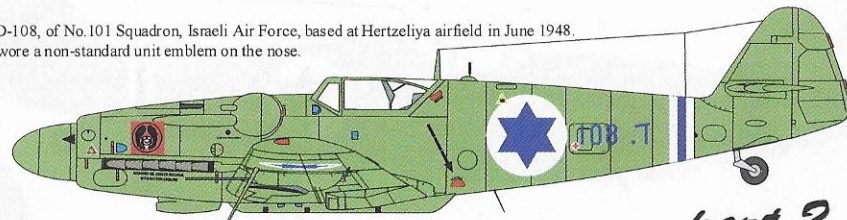
Avia S-199.99 (Avia-built), LS-5, belonged to the 1st Squadron of the Air Regiment No.8, Czechoslovak Air Force, based at Brno. It belly landed near Medlánky airfield on 28 October 1948. Note the original Bf 109 Erla type cockpit canopy.



Avia S-199, D-115, of No.101 Squadron, Israeli Air Force, Hertzeliya airfield, in the summer of 1948. 101 Squadron was responsible for the Israeli Air Force's first aerial victories.



Avia S-199, D-108, of No.101 Squadron, Israeli Air Force, based at Hertzeliya airfield in June 1948. This aircraft wore a non-standard unit emblem on the nose.



part 2

HMD72064

Stencils for two aircraft are included in the decal set

Limited series only 200 pcs!



1. Apply gloss cote to model surface.
2. Cut out the needed detail from the sheet.
3. Submerge the decal completely in lukewarm water for 10 sec.
4. Put the wet decal on plotting base and allow it soften completely.
5. Place the decal together with the base paper on the model. We recommended use decal solutions (Setter, Softer) Keep paper by tweezers and remove decal carefully to model surface. In case that the decal was placed incorrectly, add water with a brush on the border of the decal.
6. If the decal is located on the right place, press it with a soft cloth to eliminate all water and air bubbles.
7. Allow the decal dry well.

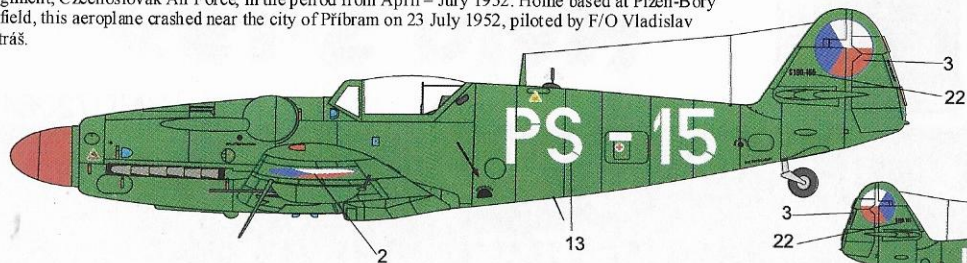
Ve spolupráci s Nakladatelstvím 4+  
In co-operation with 4+ Publishing Co.



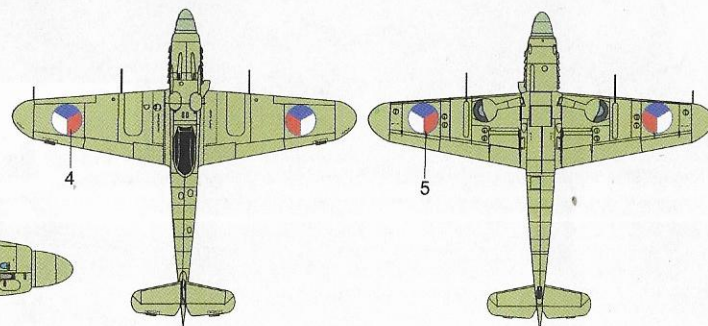
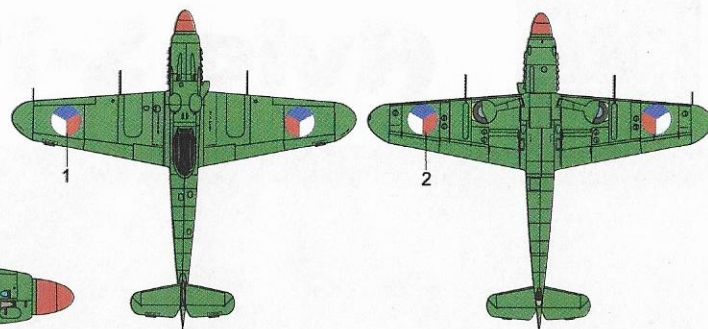
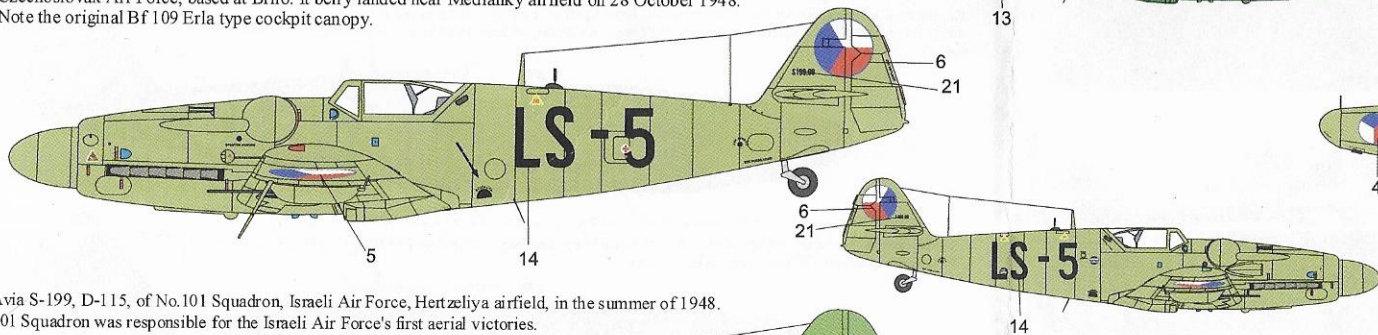
H-Models Decals  
Gustav Hýbner  
Na zápraží 408/3, Liberec 3, 460 01  
www.ghstudio.net  
ghstudio@ghstudio.net  
nmodels@volny.cz

MADE IN CZECH REPUBLIC

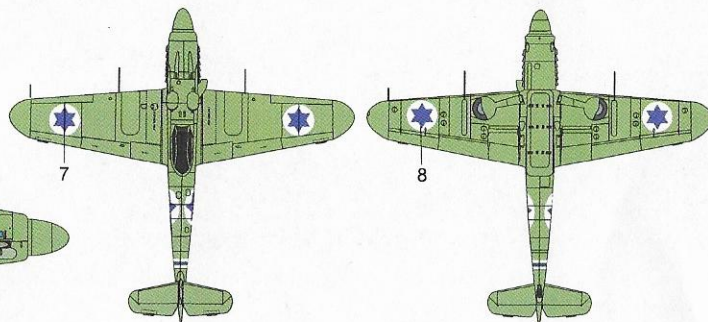
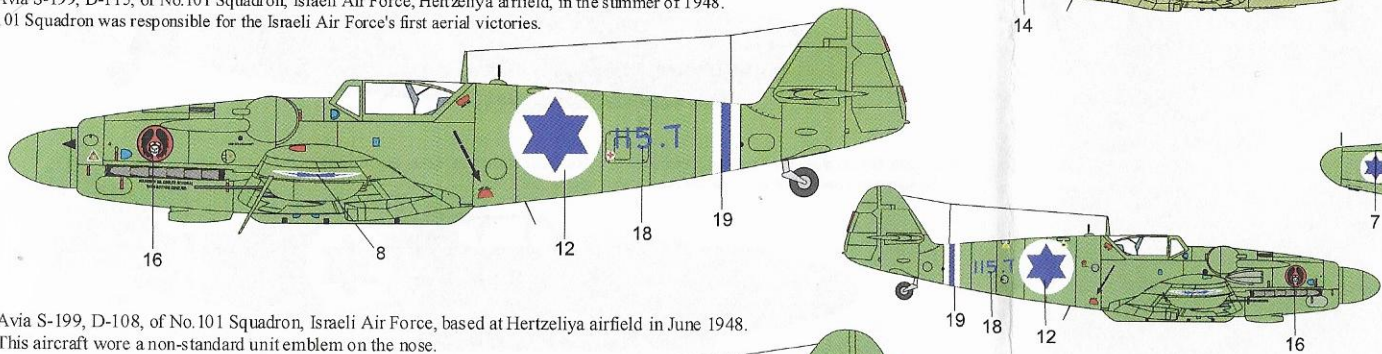
Avia S-199.165 (Avia-built), PS-15. It was on the strength of the 1st Squadron, 18th Fighter Air Regiment, Czechoslovak Air Force, in the period from April – July 1952. Home based at Plzeň-Bory airfield, this aeroplane crashed near the city of Píbram on 23 July 1952, piloted by F/O Vladislav Petráš.



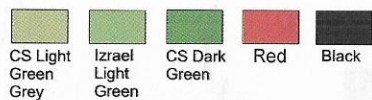
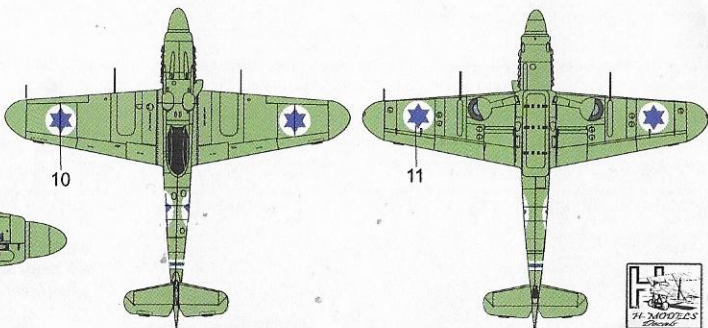
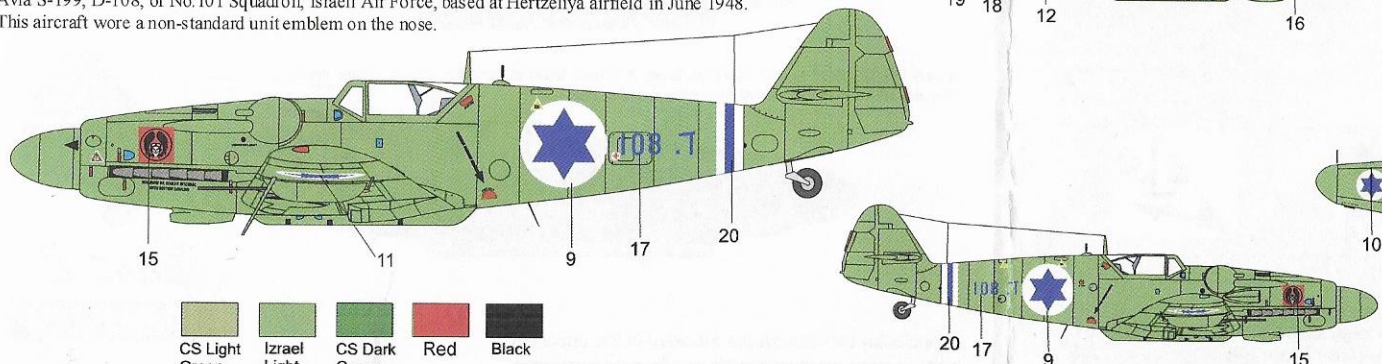
Avia S-199.99 (Avia-built), LS-5, belonged to the 1st Squadron of the Air Regiment No.8, Czechoslovak Air Force, based at Brno. It belly landed near Medlánky airfield on 28 October 1948. Note the original Bf 109 E rla type cockpit canopy.



Avia S-199, D-115, of No.101 Squadron, Israeli Air Force, Hertzeliya airfield, in the summer of 1948. 101 Squadron was responsible for the Israeli Air Force's first aerial victories.

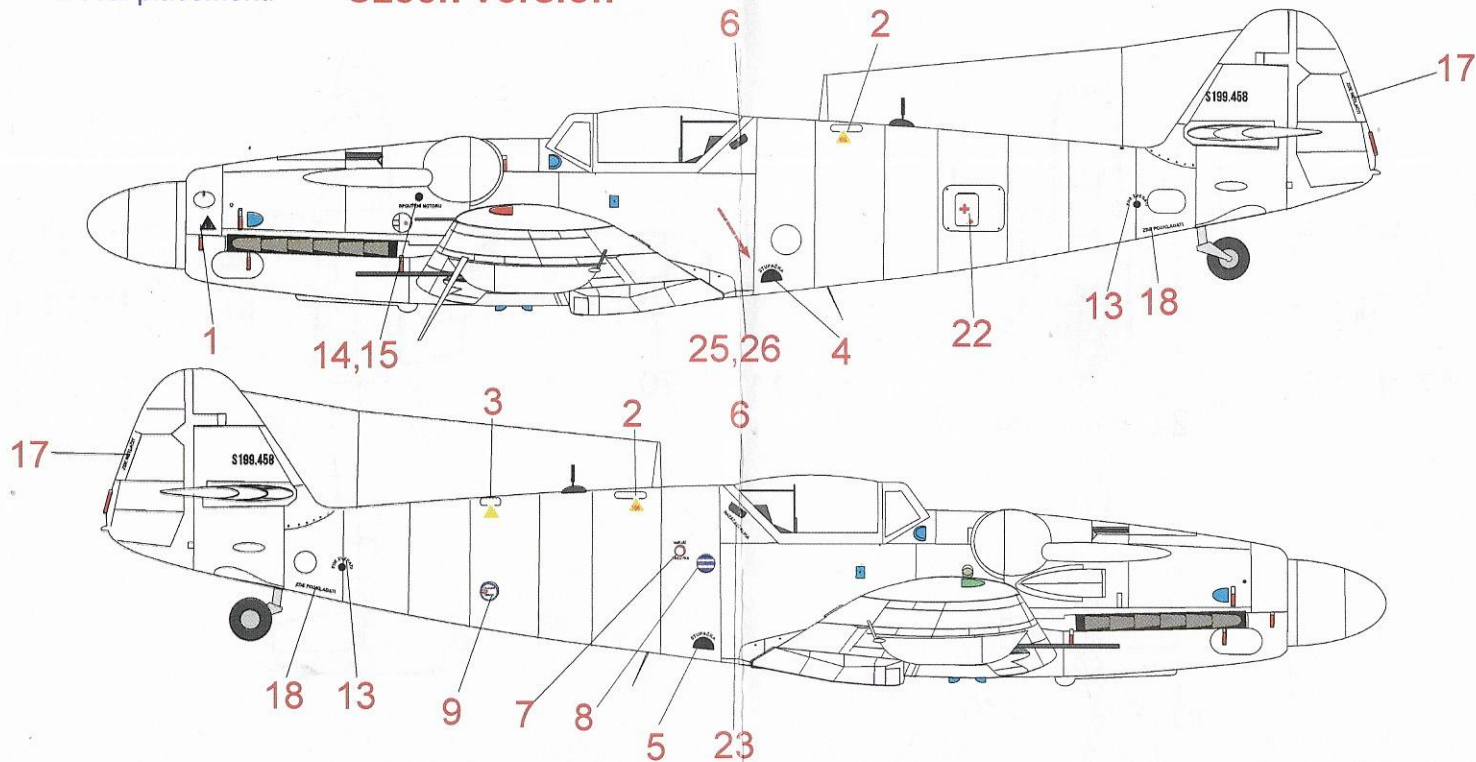


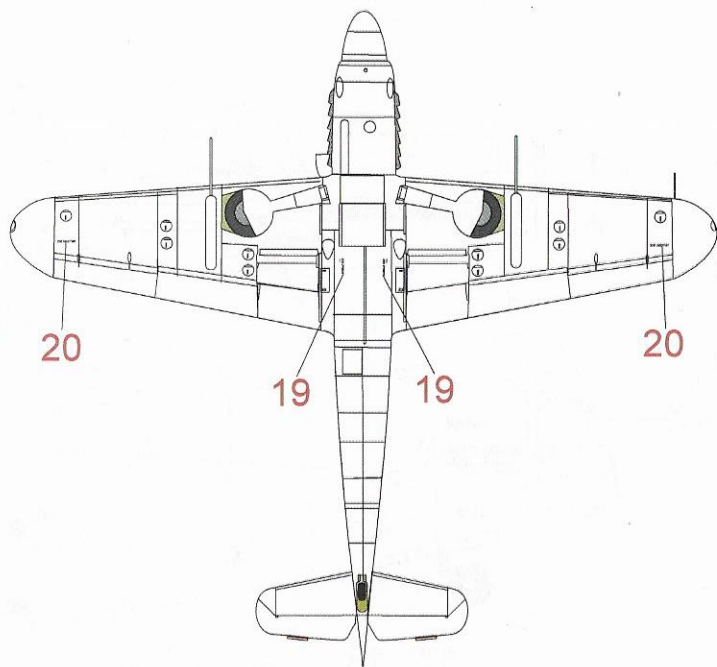
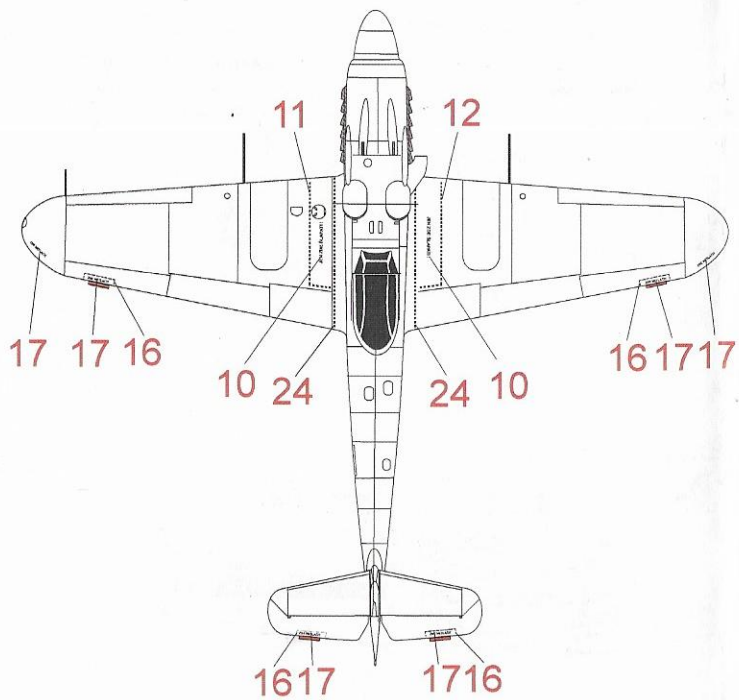
Avia S-199, D-108, of No.101 Squadron, Israeli Air Force, based at Hertzeliya airfield in June 1948. This aircraft wore a non-standard unit emblem on the nose.



# Avia S-199

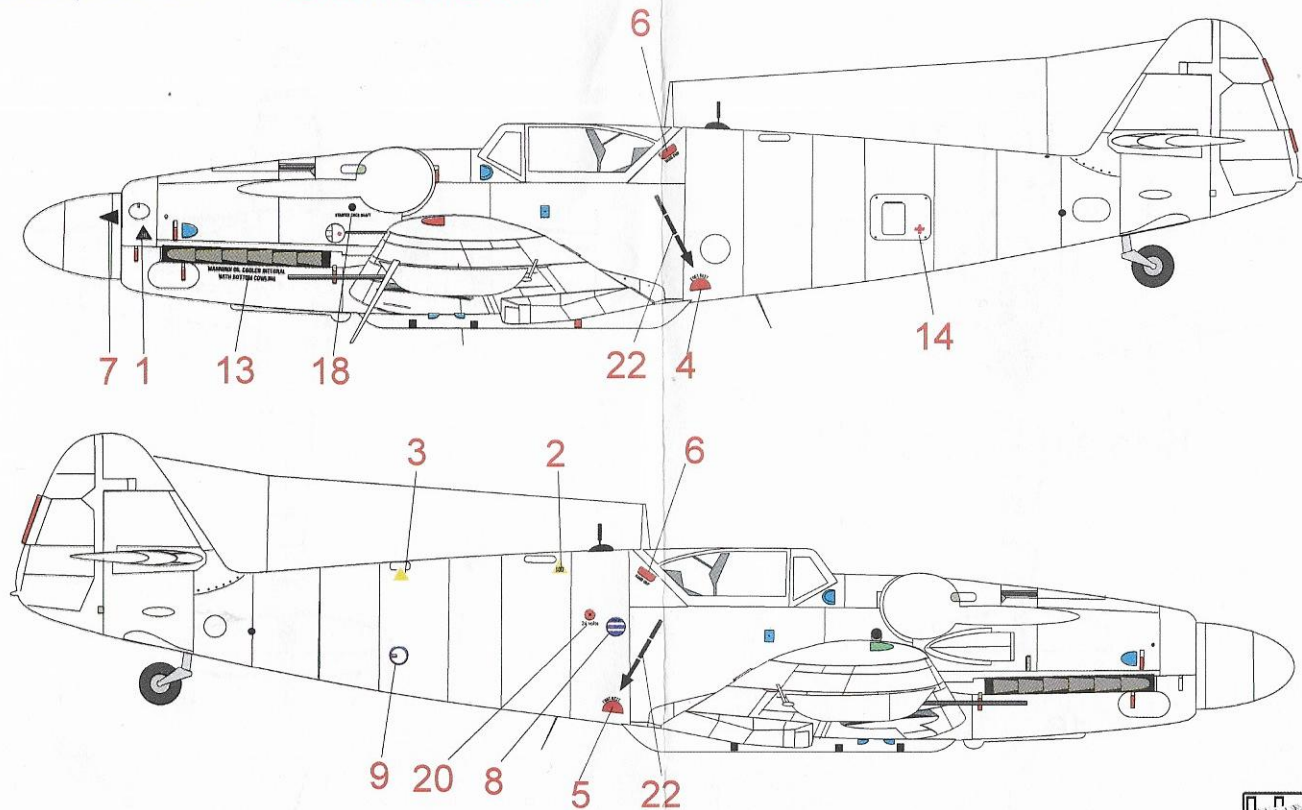
Decal placement: **Czech version**

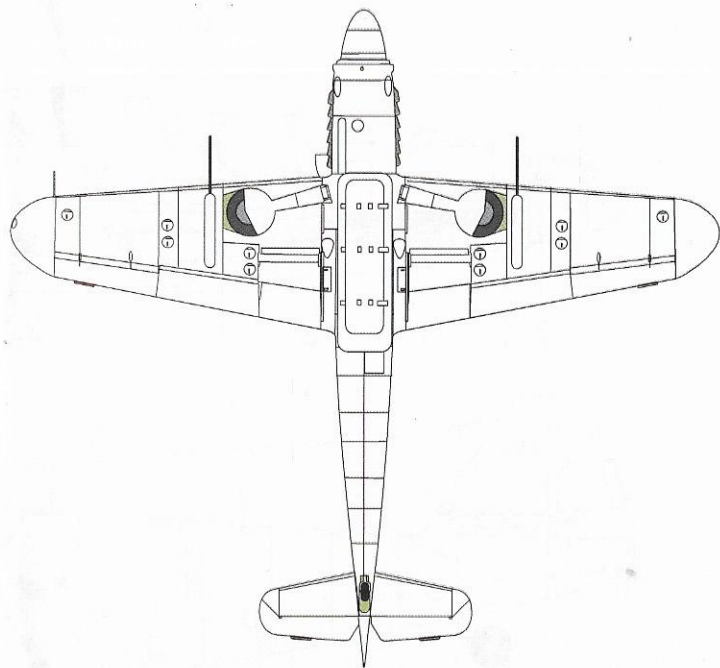
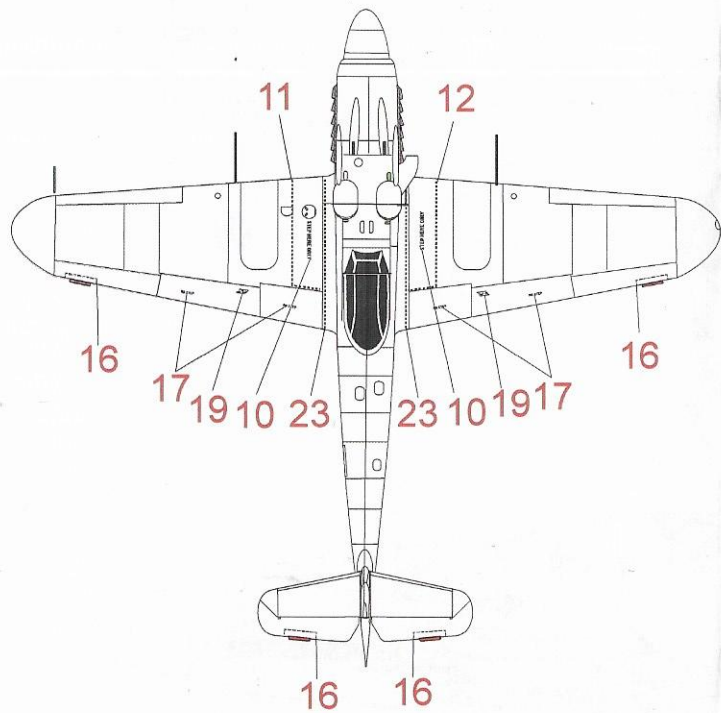


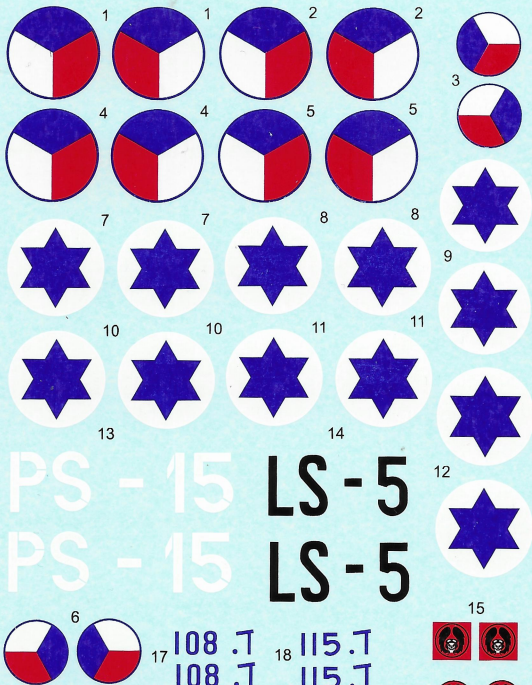


# Avia S-199

Decal placement: **Israel version**

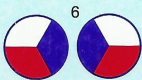






PS - 15  
PS - 15

LS - 5  
LS - 5



17 108 .7  
108 .7

18 115.7  
115.7

21 \$199.99  
\$199.99

22 \$199.185  
\$199.185

19

16

20



Stencils 1 ▲ 2 ● 3 ▲ 4 ▲ 5 ▲ 6 ▲ 7 ◀ 8 ⊖ 9 ⊙ 10 ⊖ 11 ⊖ 12 ⊖ 13 ⊖ 14 ⊖ 15 ⊖ 16 ⊖ 17 ⊖ 18 ⊖ 19 ⊖ 20 ⊖ 21 ⊖ 22 ⊖ 23 ⊖ 24

Israeli version

Stencils 1 ▲ 2 ● 3 ▲ 4 ▲ 5 ▲ 6 ▲ 7 ◀ 8 ⊖ 9 ⊙ 10 ⊖ 11 ⊖ 12 ⊖ 13 ⊖ 14 ⊖ 15 ⊖ 16 ⊖ 17 ⊖ 18 ⊖ 19 ⊖ 20 ⊖ 21 ⊖ 22 ⊖ 23 ⊖ 24

Czech version



Avia S199  
the Mule in Czechoslovak and Izrael service  
H-Models decals HMD 72064 part 2