

ACADEMY**HOBBY MODEL KITS****1/48th SCALE**

SPITFIRE MK. XIVc

THE SUPERMARINE SPITFIRE WAS BUILT IN GREATER NUMBERS THAN ANY OTHER BRITISH TYPE AND WAS THE ONLY BRITISH TYPE IN CONTINUOUS PRODUCTION THROUGHOUT W.W. II. THE PROTOTYPE FIRST FLEW ON MARCH 5, 1936. DELIVERY OF THE SPITFIRE MK. I BEGAN IN MID-1938 AND BY THE OUTBREAK OF THE WAR NINE SQUADRONS ENGAGED IN THE BATTLE OF BRITAIN TOGETHER WITH THE HURRICANE. THE MK. XIV, OVER 1,000 AIRCRAFT OF THIS TYPE WERE MANUFACTURED AND DEPLOYED BEFORE THE END OF WORLD WAR II. POWERED BY THE TWO-STAGE ROLLS ROYCE GRIFFON TYPE 65 ENGINE. ALSO DIFFERED FROM THE EARLIER SPITFIRES BY ITS LARGER RUDDER AND ELEVATORS, FIVE BLADED ROTOL PROPELLERS AND FOUR 20MM CANNON MOUNTED IN ITS TYPE "C" OR "E" WING. BESIDES ITS SUCCESSFUL BATTLE HISTORY, IN PARTICULAR SHOOTING DOWN OVER 300 V-1 FLYING BOMBS. MANY AVIATION ENTHUSIASTS REGARD THE SPITFIRE MK. XIV AS ONE OF THE MOST BEAUTIFUL FIGHTER DURING THE WORLD WAR II.

<DATA>

CREW: 1

LENGTH: 9.96m

WINGSPAN: 11.234m

HEIGHT: 3.355m

WEIGHT: 3,859kg

ENGINE: ROLLS ROYCE GRIFFON TYPE 65(2,050HP)

SPEED: 721km/h

BOMBS: 450kg

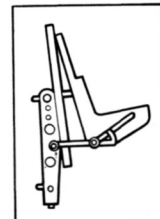
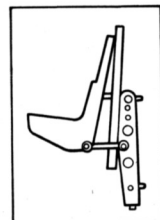
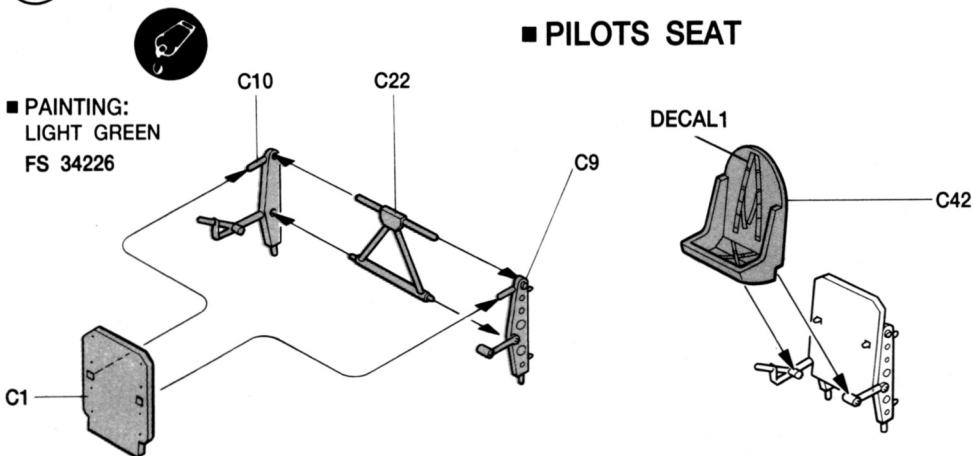
ARMAMENT(TYPE "C" WING): 7.7mm × 4, 20mm × 4

2157

1 COCKPIT INTERIORS ASSEMBLY I

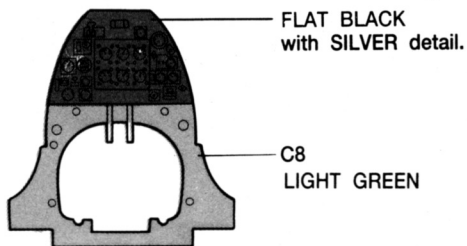
PILOTS SEAT

PAINTING:
LIGHT GREEN
FS 34226

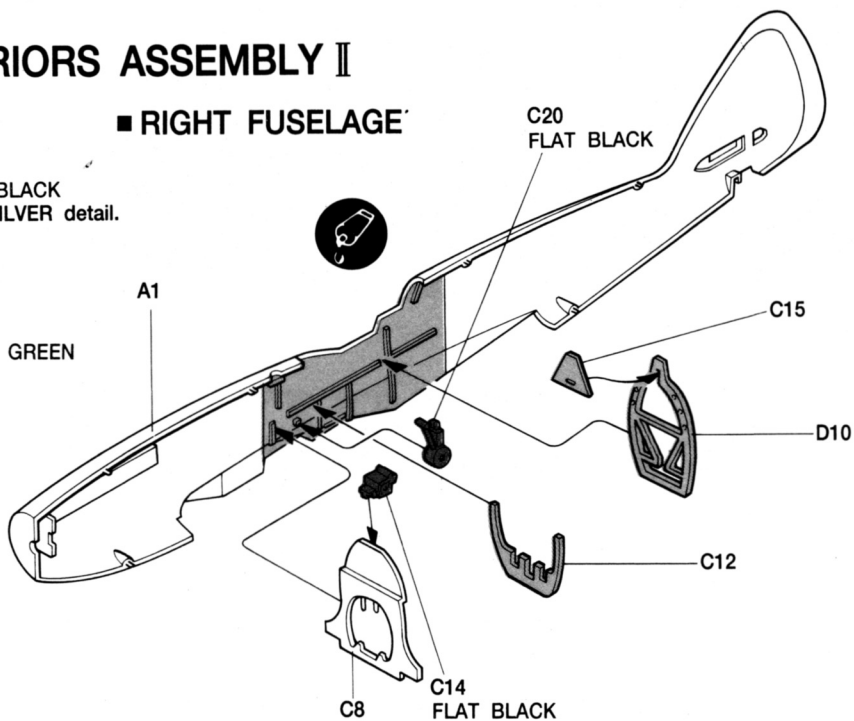


2 COCKPIT INTERIORS ASSEMBLY II

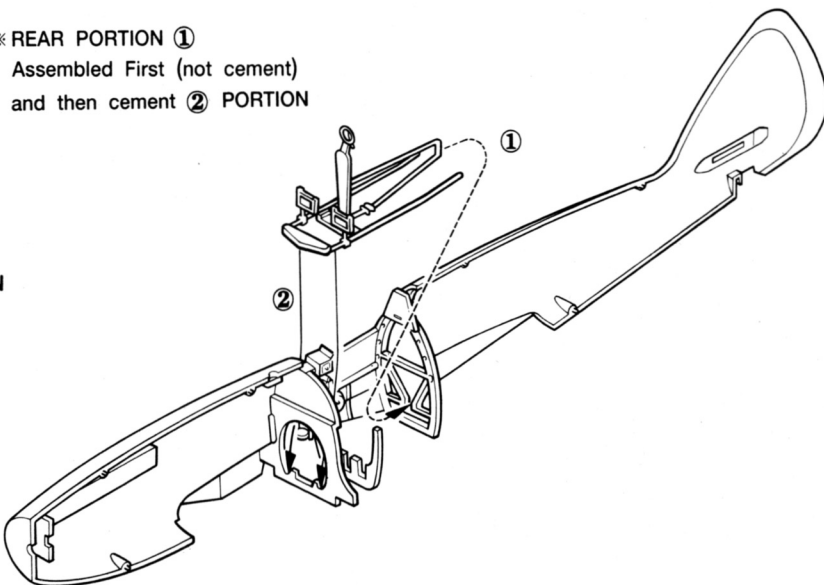
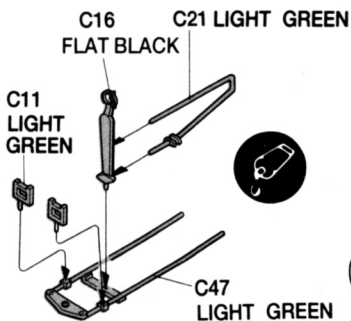
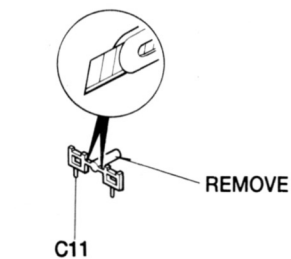
RIGHT FUSELAGE



PAINTING
LIGHT GREEN
FS 34226



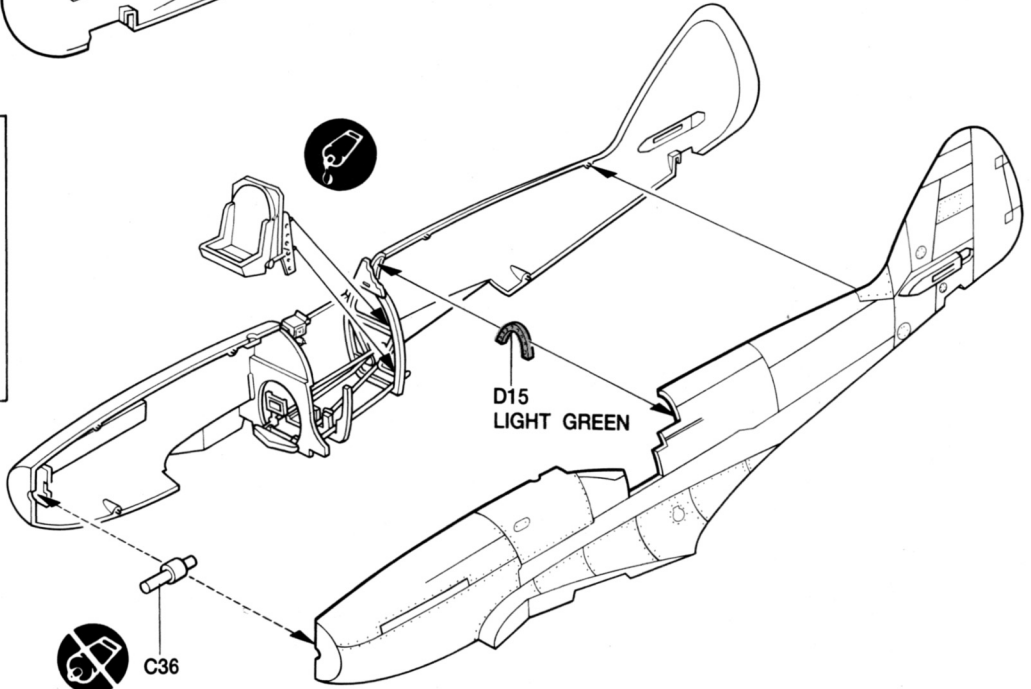
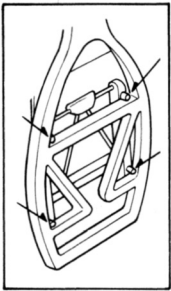
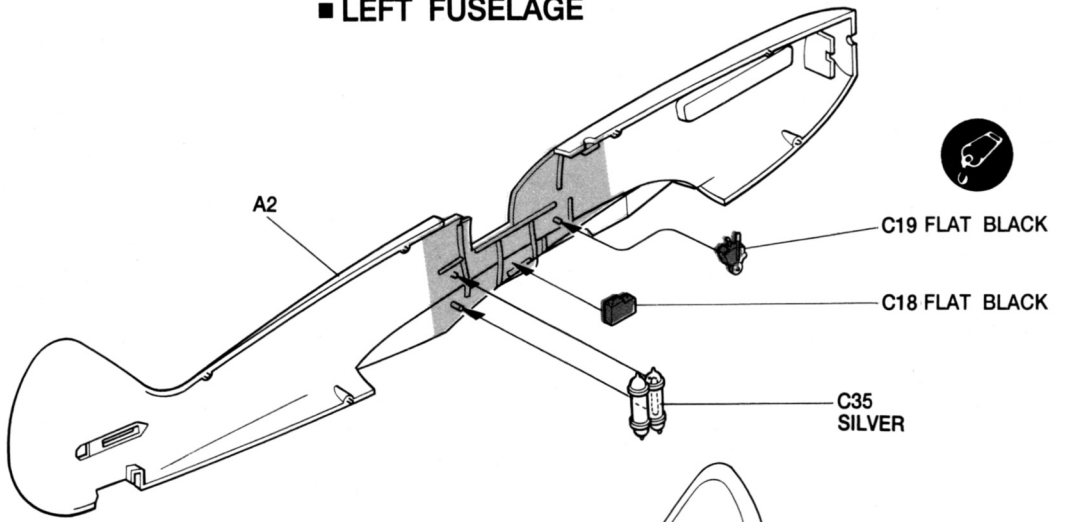
REAR PORTION ①
Assembled First (not cement)
and then cement ② PORTION



■ LEFT FUSELAGE

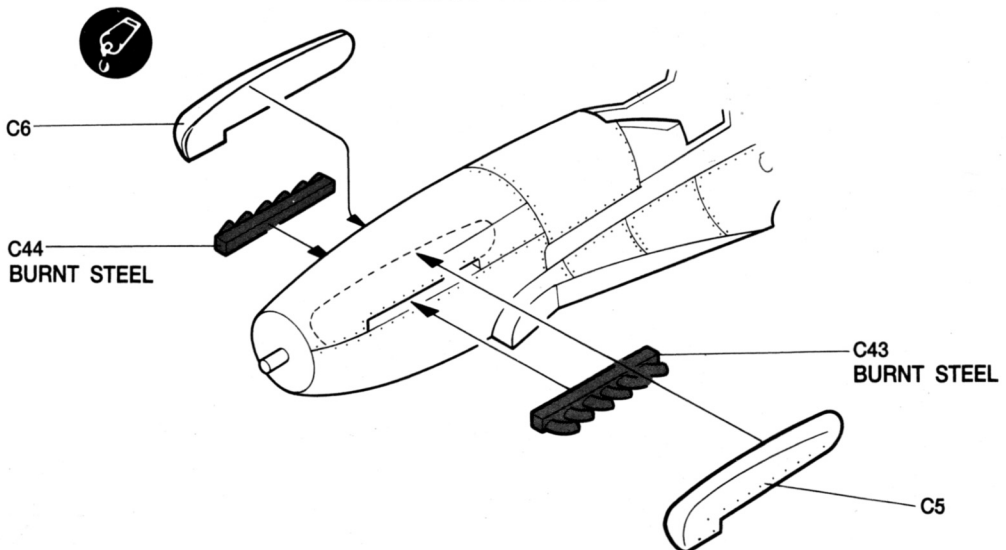
■ PAINTING

LIGHT GREEN
FS 34226

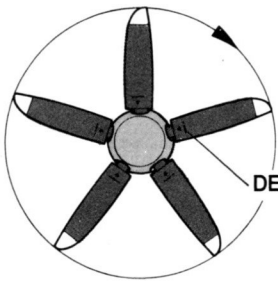


3 NOSE SECTION ASSEMBLY

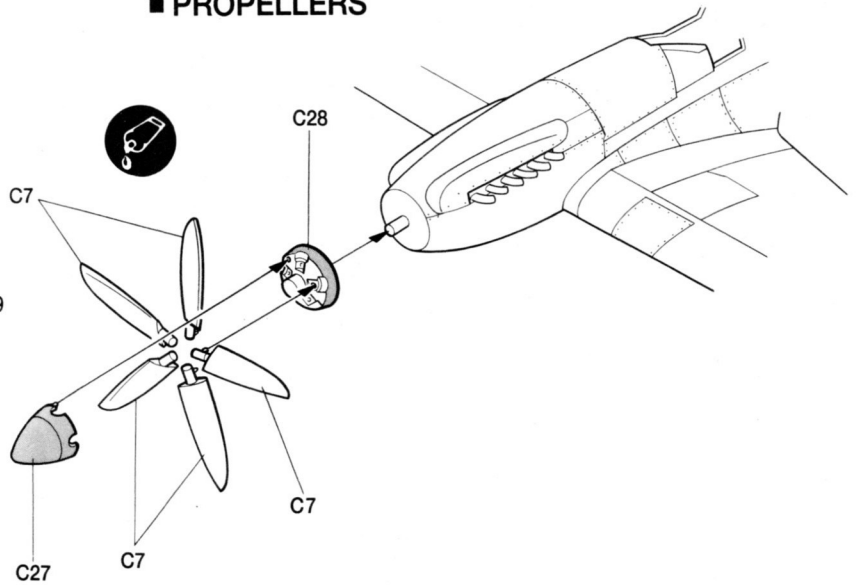
■ EXHAUST MANIFOLD



■ PROPELLERS



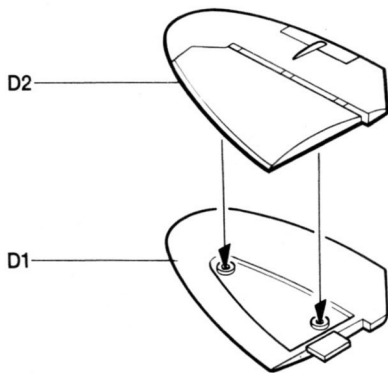
FLAT BLACK BLADES
WITH YELLOW TIPS.
SPINNER: SKY
BS 381C/210
FS 34504



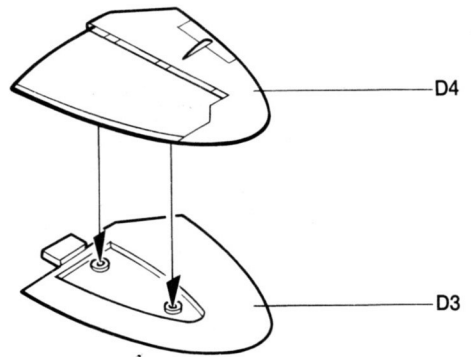
4 VARIOUS ASSEMBLY

■ TAIL PLANES

<RIGHT>

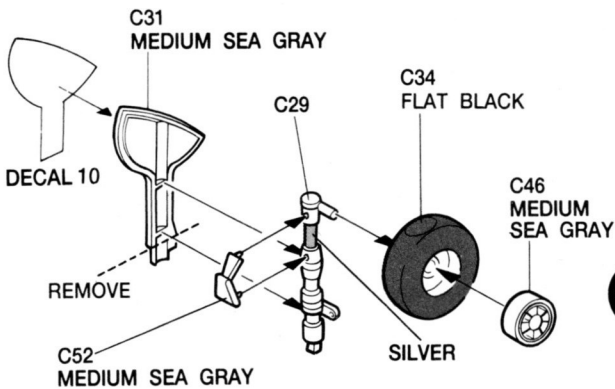


<LEFT>

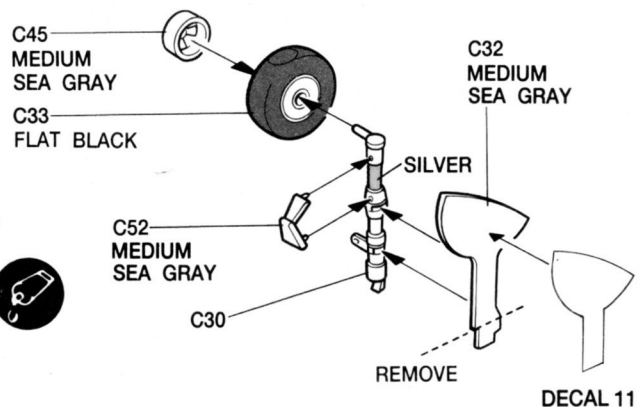


■ STRUTS WITH THE BULGED TIRES & HUBS

<RIGHT>



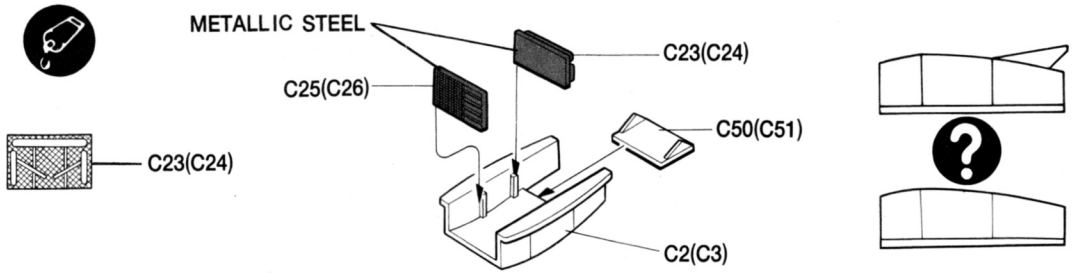
<LEFT>



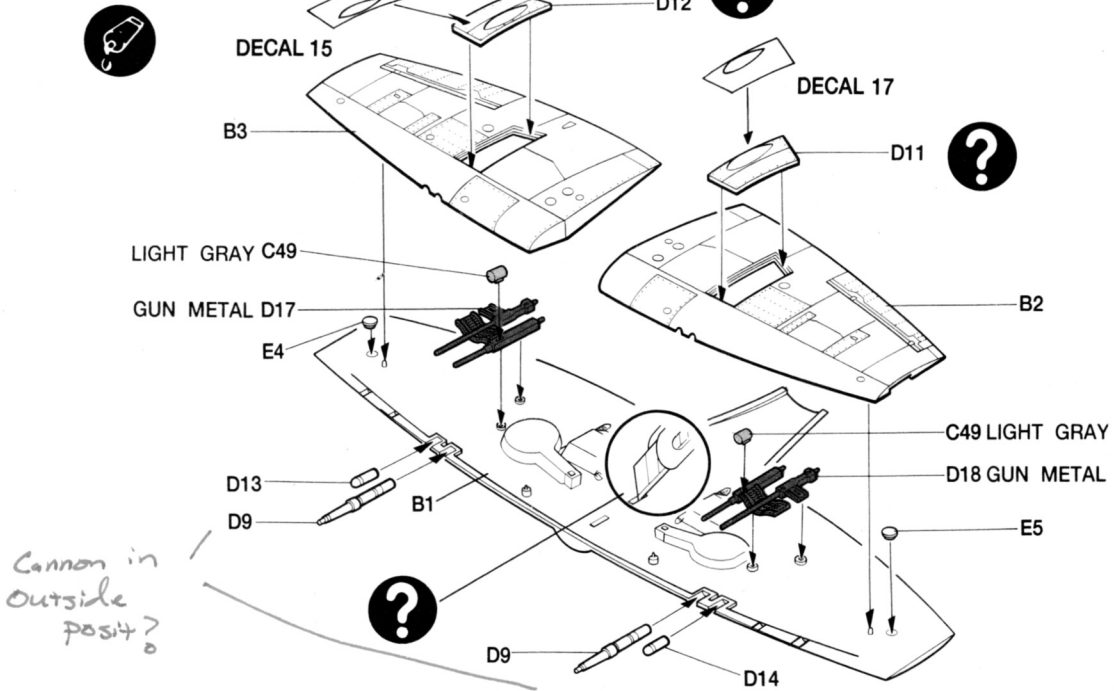
* MEDIUM SEA GRAY: BS 381C/637
FS 36270



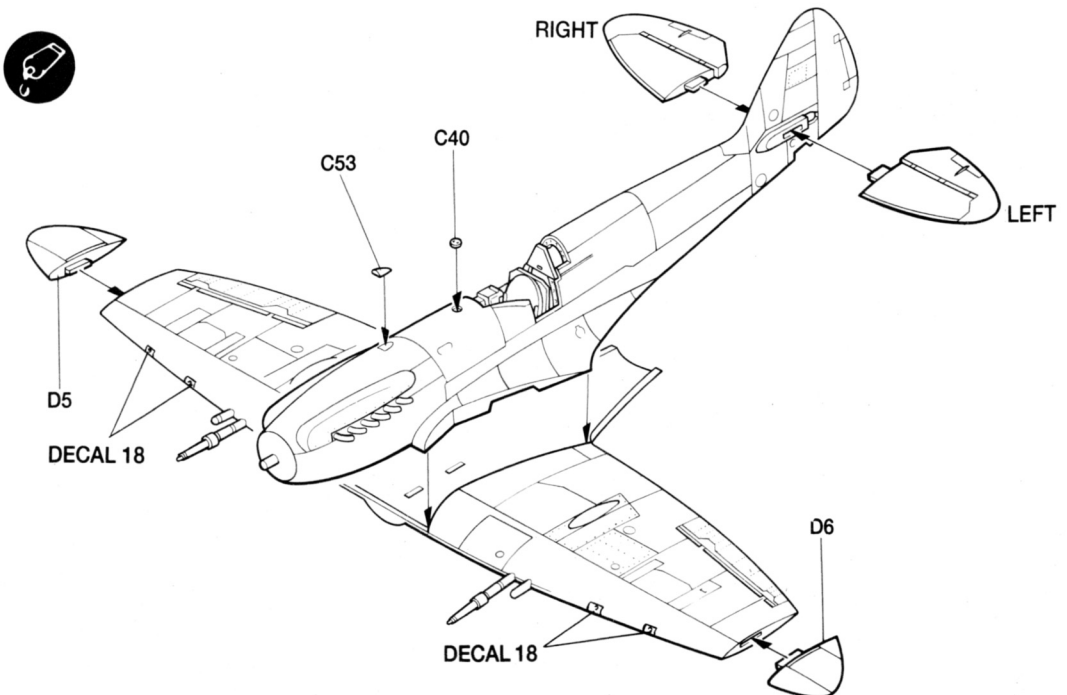
■ RADIATOR FARING



5 MAIN WING ASSEMBLY

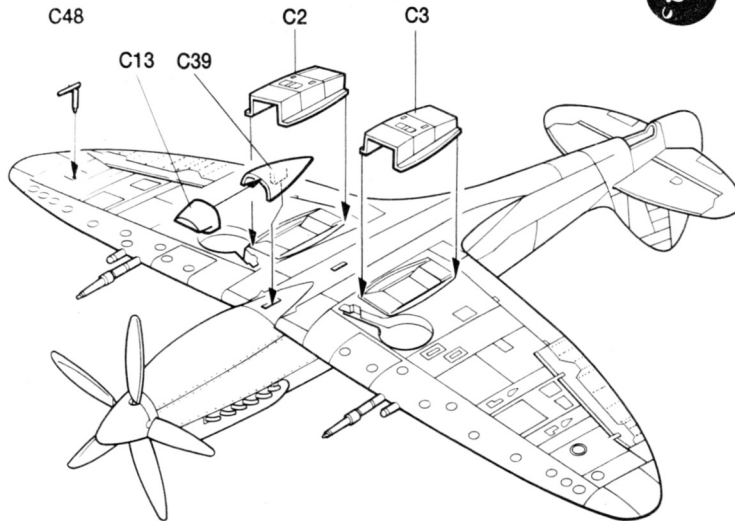


6 MAIN & TAIL PLANES INSTALLATION

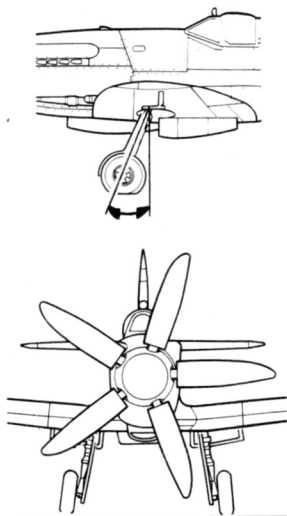


7 MAIN WING UNDERSIDE ASSEMBLY

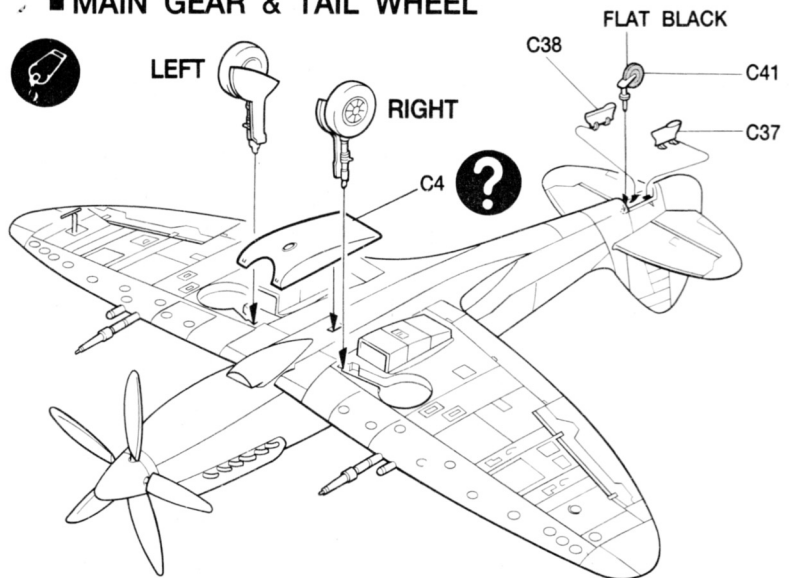
■ RADIATOR & AIR INTAKE



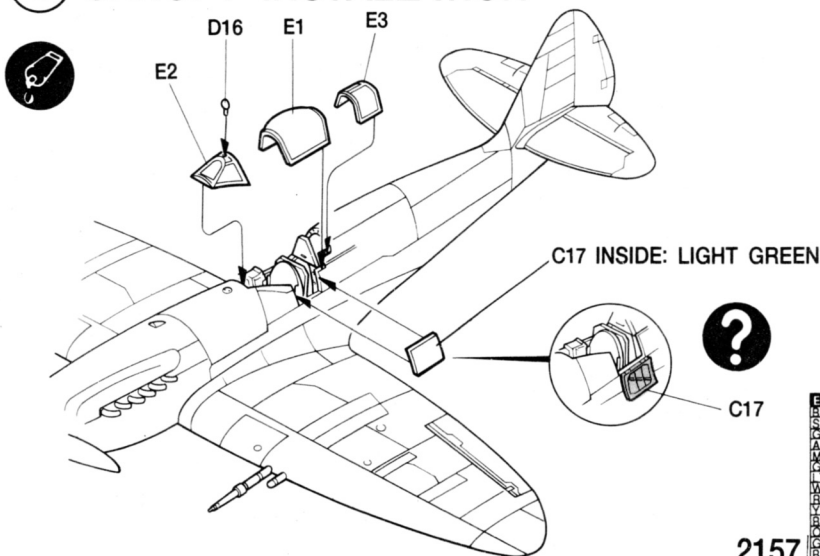
* ANGLE OF THE GEAR



■ MAIN GEAR & TAIL WHEEL



8 CANOPY INSTALLATION

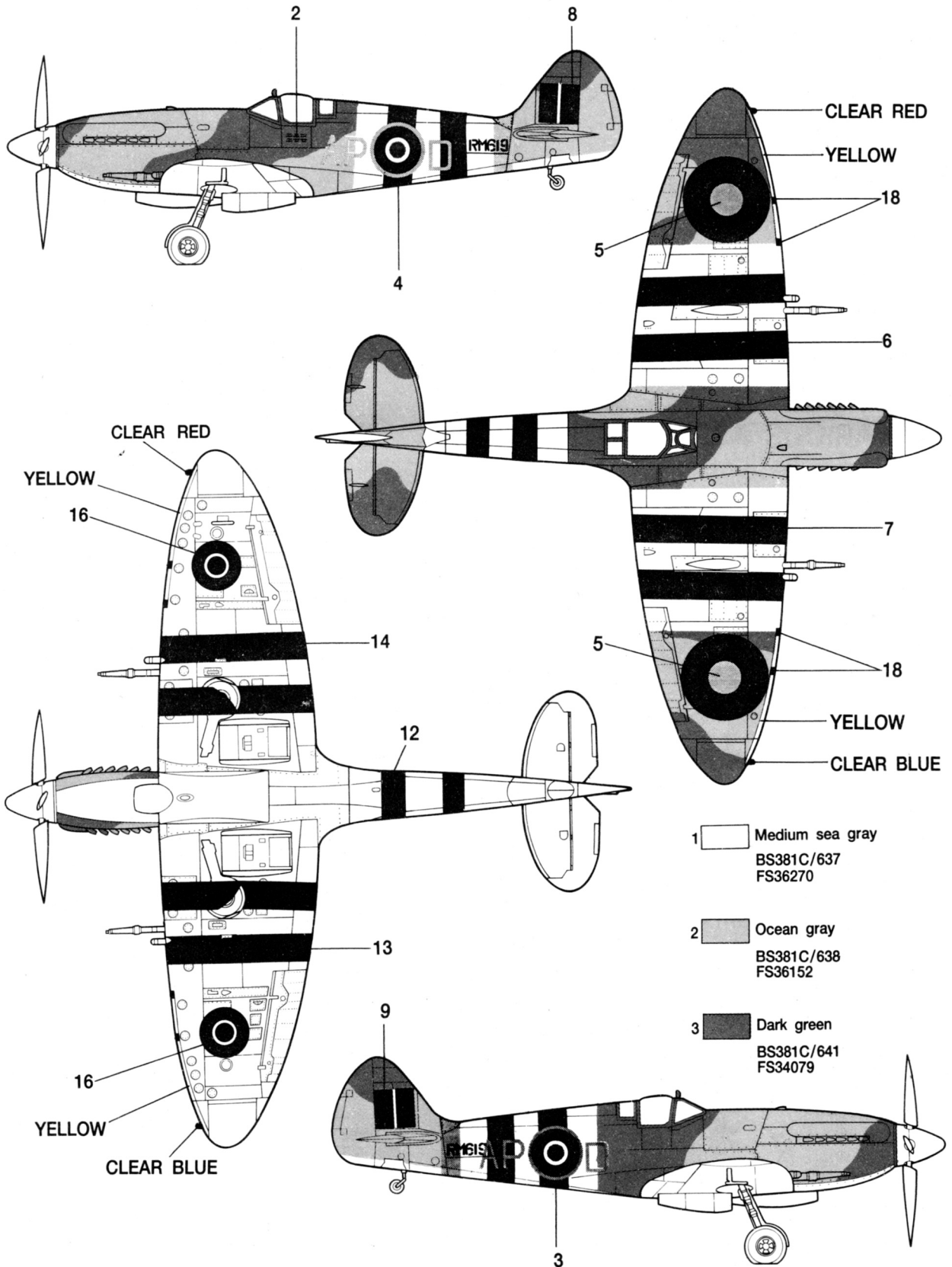



ENGLISH	FRENCH	GERMAN	SPANISH	ITALIAN
BLACK	NOIR	SCHWARZ	NEGRO	NERO
SILVER	ARGENT	SILBER	PLATA	ARGENTO
GUNMETAL	METALLIC	METALLIC	METALLICO	METALLICO
ALUMINUM	ALUMINIUM	ALUMINIUMFARBEN	ALUMINIO	ALLUMINIO
METALLIC	METALLIC	METALLIEN	METALLICO	METALLICO
GRAY	GRIS	GRAU	GRIS	GRIGIO
LT GRAY	GRIS CLAIR	HELTGRAU	GRIS CLARO	GRIGIO CHIARO
WHITE	BLANC	WEISS	BLANCO	BIANCO
RED	ROUGE	ROT	ROJO	ROSSO
YELLOW	JAUNE	GELB	AMARILLO	GIALLO
BLUE	BLEU	BLAU	AZUL	BLU
ORANGE	ORANGE	ORANGE	NARANJADO	ARANCIO
GREEN	VERT	GRUN	VERDE	VERDE
BROWN	BRUN	BRUN	MARRON	MARRONE
BROWN	BRUN CLAIR	GELBBRAUN	MARRON	MARRONE CHIARO


2157

Painting and Decal Placement


130 Sqn.



1  Medium sea gray
BS381C/637
FS36270

2  Ocean gray
BS381C/638
FS36152

3  Dark green
BS381C/641
FS34079

 DO NOT cement
Ne pas coller
Nicht kleben
No pegar
Non incollare
Nao colar
Niet kleven

 Cut away
Couper
Scheiden
Cortar
Tagliare
Cortar
Snijden

 Optional parts
Choix
Auswahlmoglichkeit
Eleccion
Scelta
Opcao
Keuze

 **3**
Repeat operation
Répéter l'opération
Vorgang wiederholen
Repètir la operación
Ripetere
Repitir a operação
Herhalen

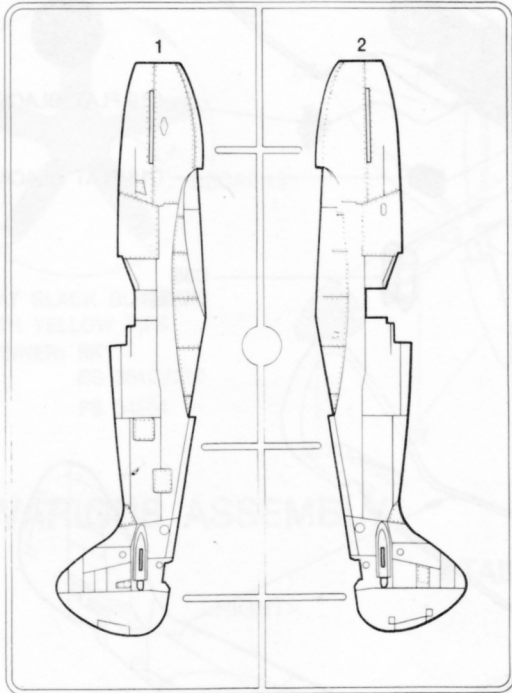
ACADEMY

2157 HOBBY MODEL KITS

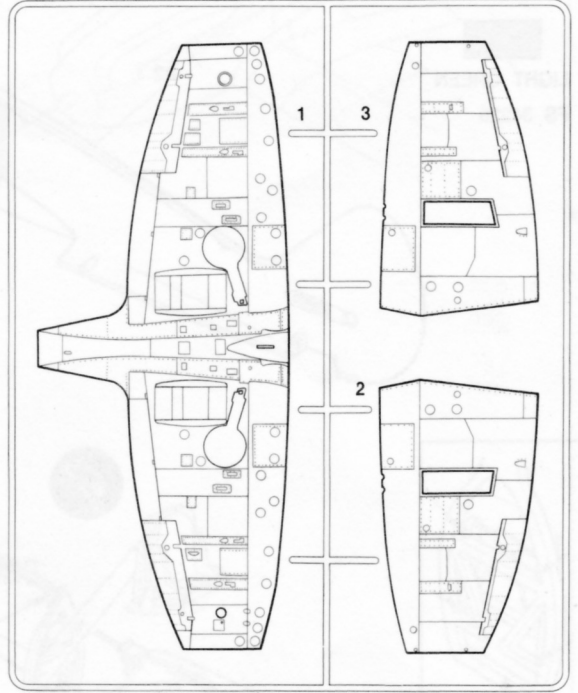
Parts Locating Diagram

88 parts

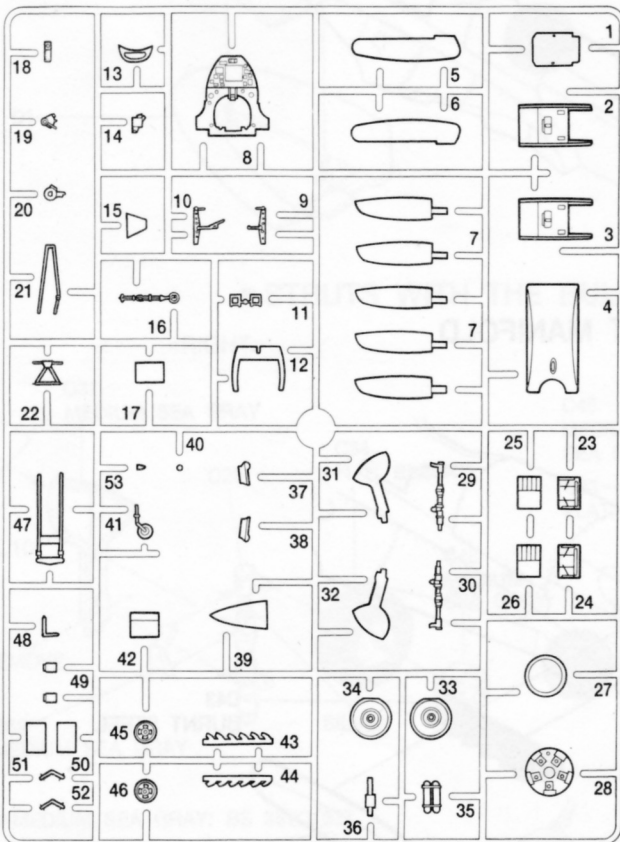
A



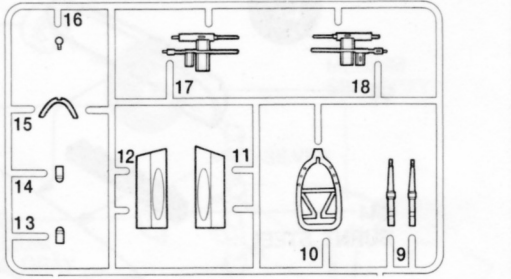
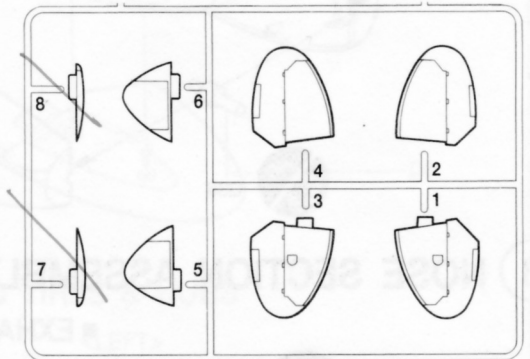
B



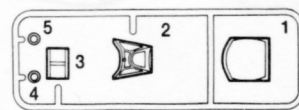
C



D



E



* Unused parts: D7, D8

©1996 ACADEMY PLASTIC MODEL CO., LTD.
273-64, Suyu-dong, Kangbuk-gu, Seoul, Korea

ACADEMY
2157 HOBBY MODEL KITS