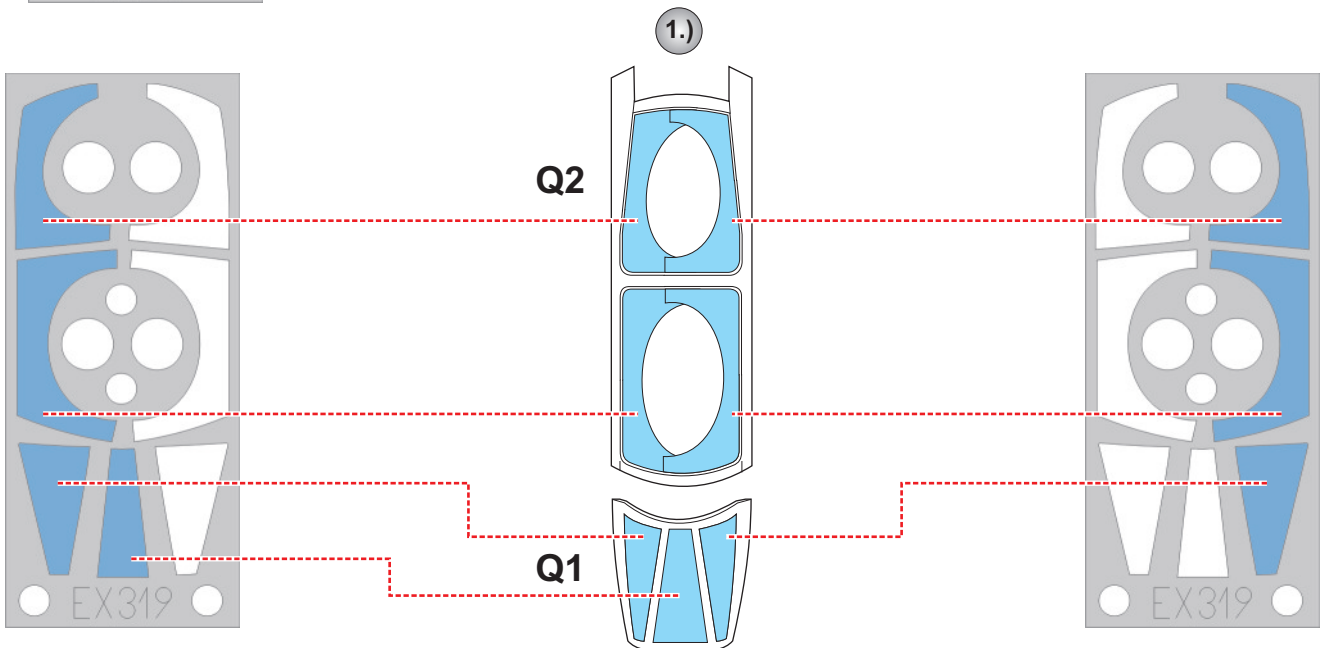
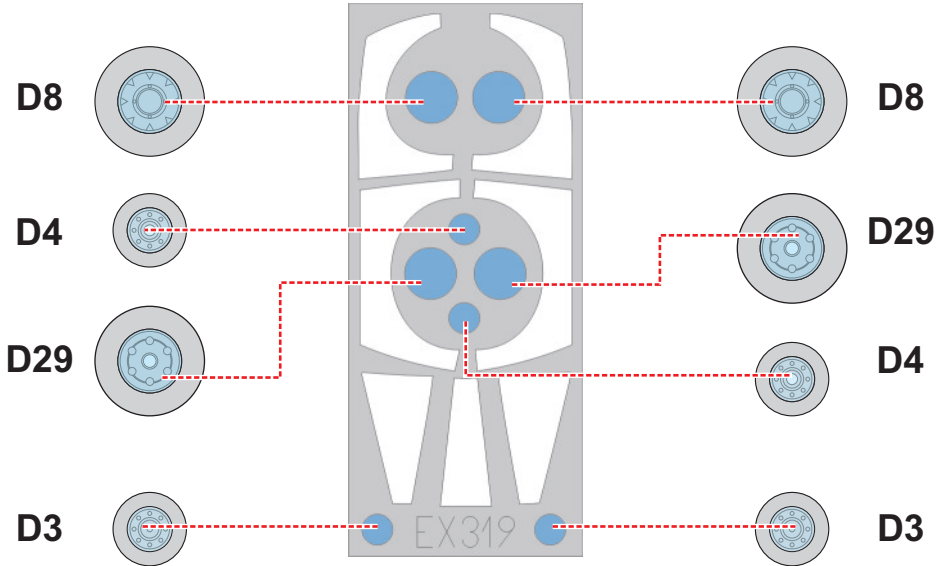
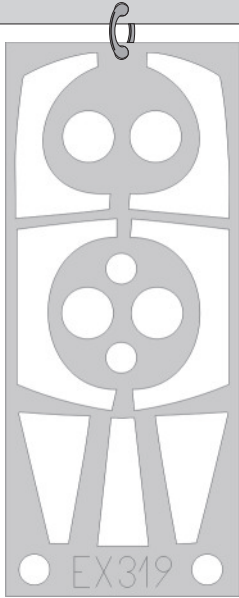


eduard
MASK

EX 319

Tornado ECR 1/48

The die-cut mask for accurate canopy frame painting of the
Hobby Boss scale 1/48 KIT



2.) LIQUID MASK

