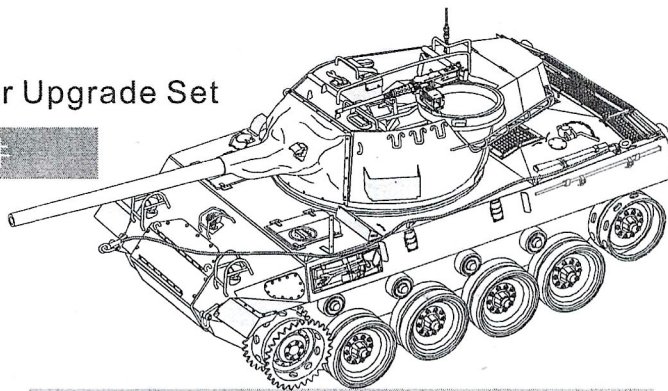


1/35 MILITARY MINIATURE VEHICLE UPGRADE SERIES PE351218

WWII US Army M18 Hellcat Tank Destroyer Upgrade Set

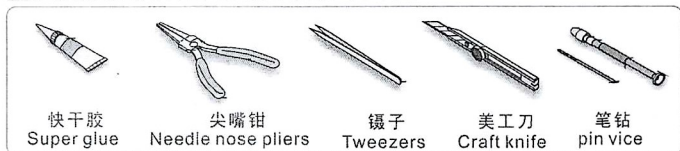
二战美国M18地狱猫 中型坦克歼击车改造件

[For TAMIYA 35376]



Technical assistance provided by Mr.ZHONG MINGZHOU

推荐使用工具 RECOMMENDED TOOLS



快干胶 Super glue 尖嘴钳 Needle nose pliers 镊子 Tweezers 美工刀 Craft knife 笔钻 pin vice

↑ 安装 install

↩ 折叠 bend

A1 改造件零件编号 PE/resin part number

B12 原零件编号 kit part number

G22 被替换的原零件编号 replaced kit part number

↔ 另一侧相同制作 repeat on opposite side

✂ 切除 remove

🔪 打磨 grind off

🌀 弧度卷曲 radial bending

✖2 制作若干组 multiple assembly

⇄ 选择安装 alternative

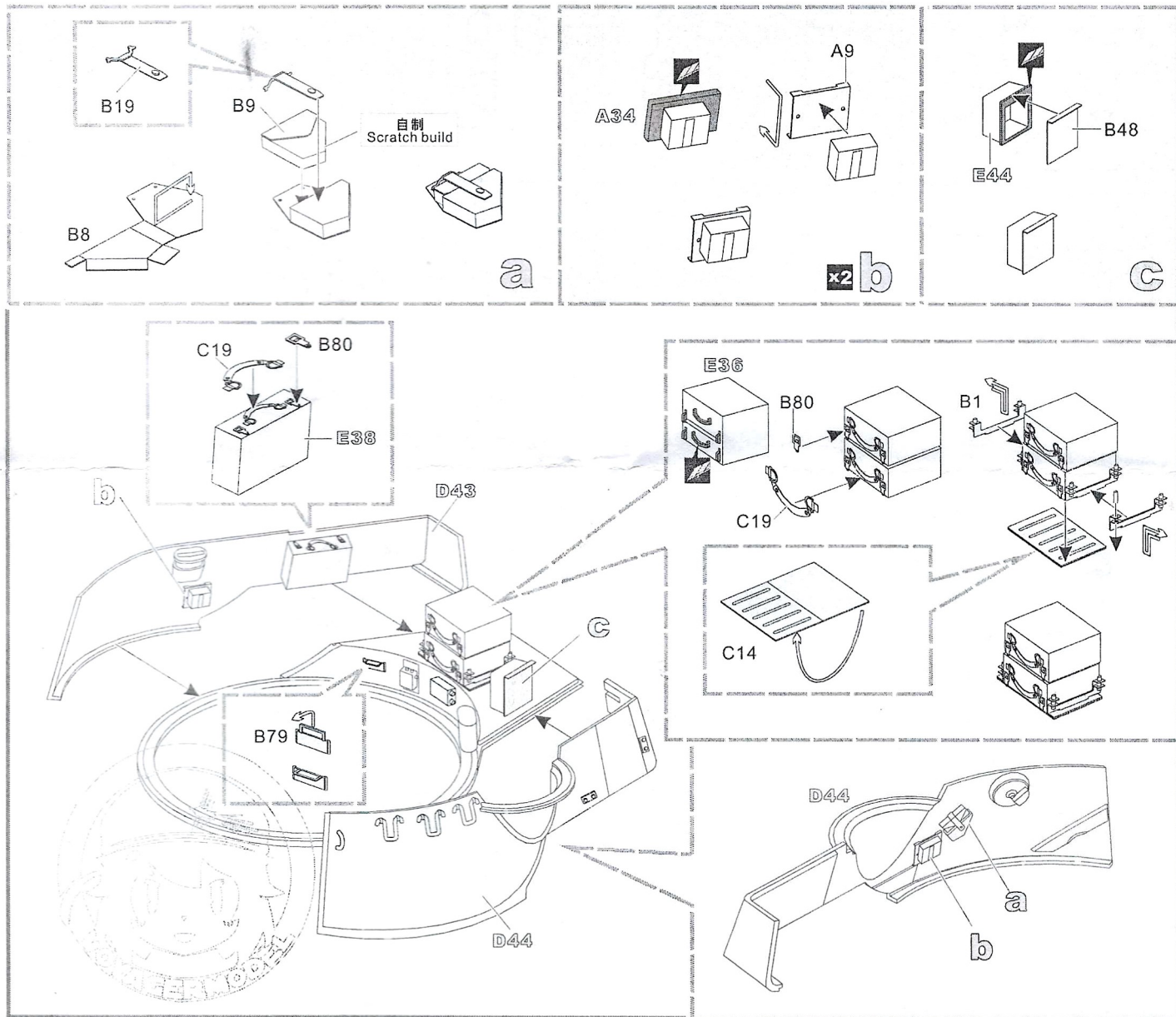
🔧 钻孔 drill

⚠ 注意 caution

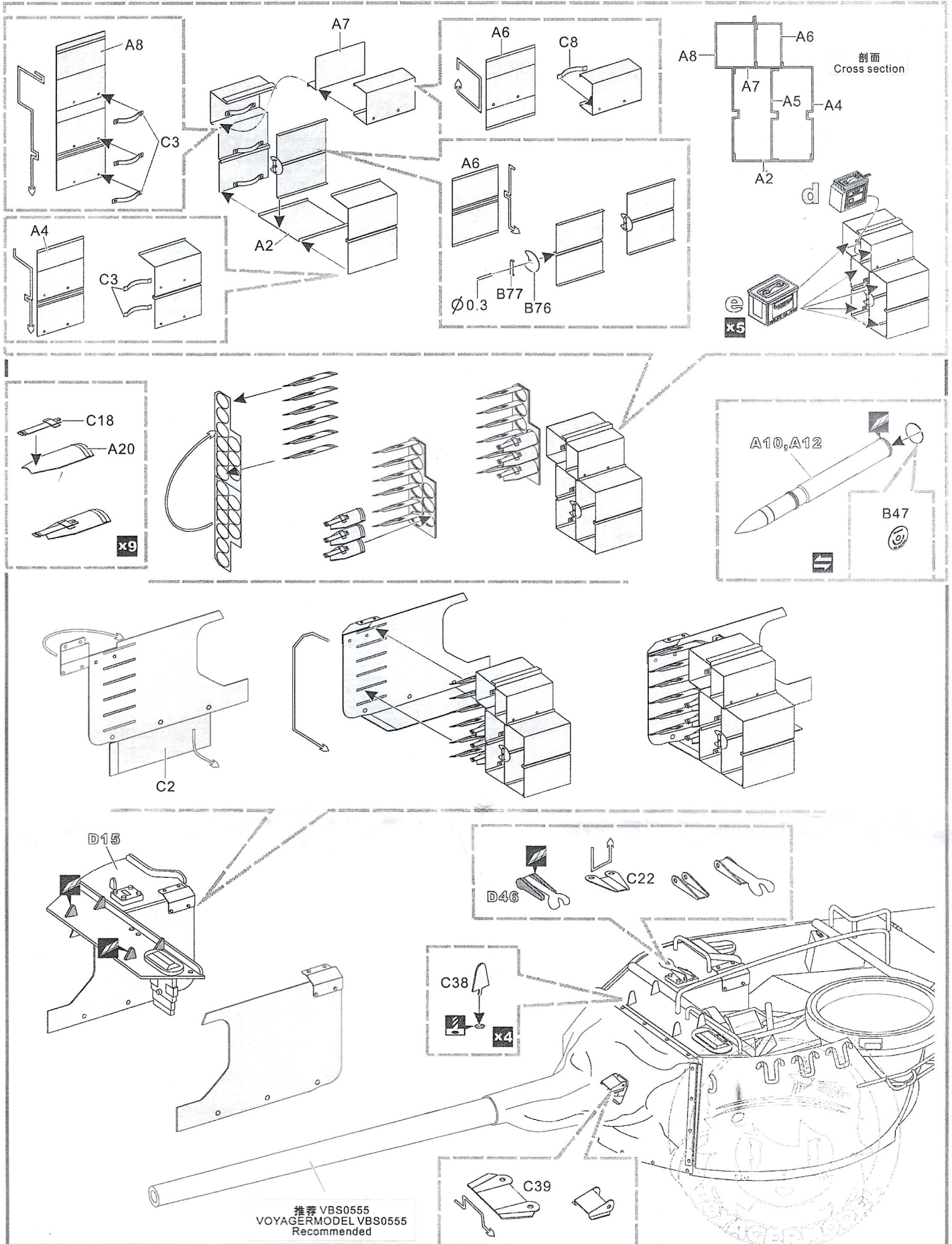
↓
用尖端在凹槽处冲压
use penpoint to press on the dent

🔪
蚀刻片零件内面向上
Put the part upside down

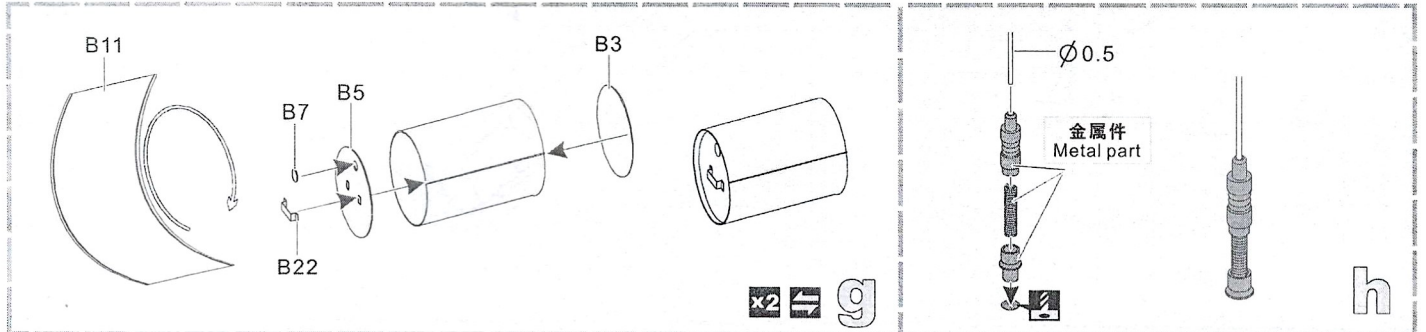
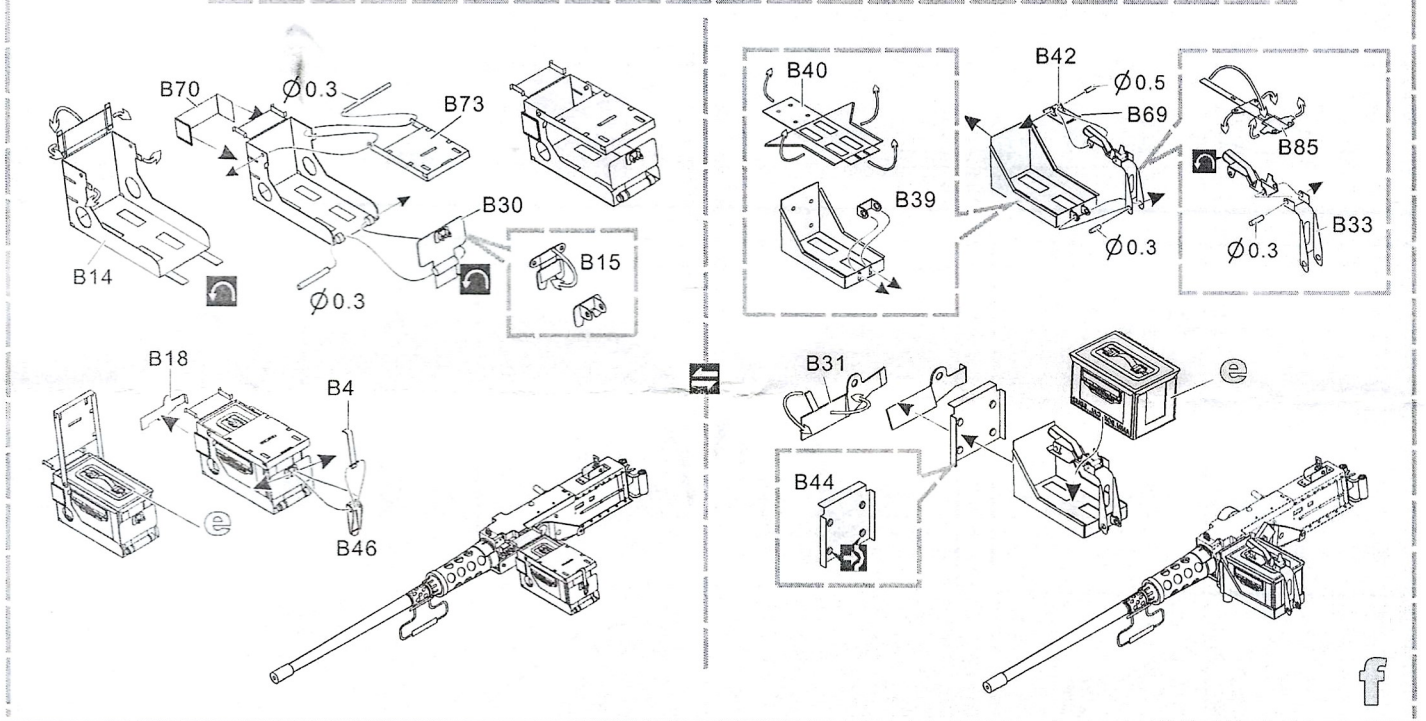
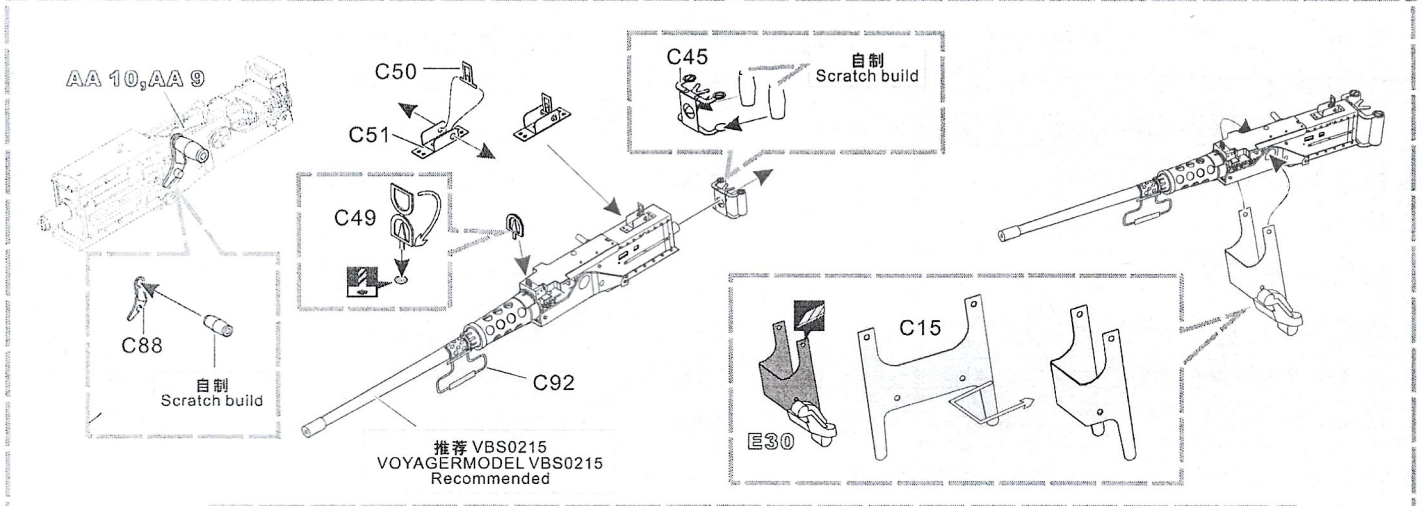
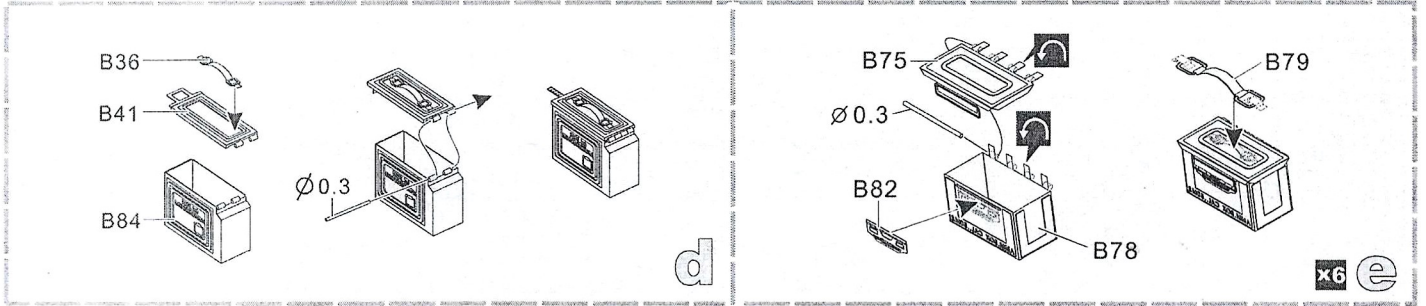
🔪
用笔尖在凹槽处刻
Use penpoint to press on the dent



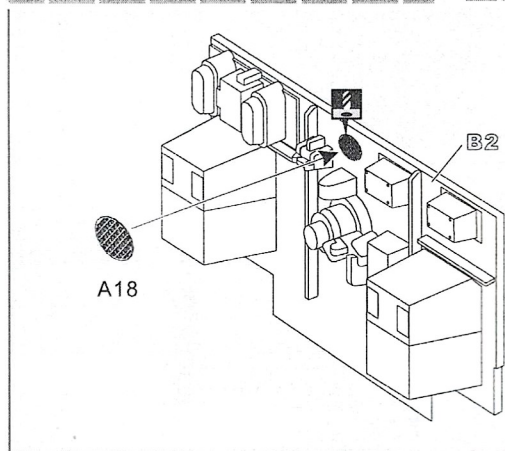
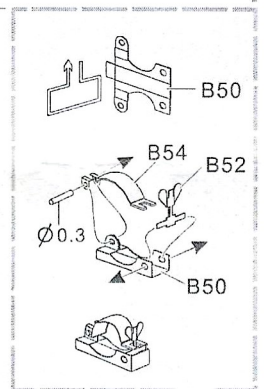
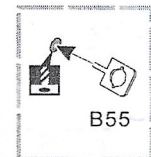
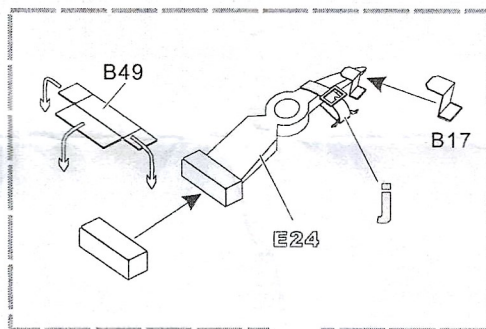
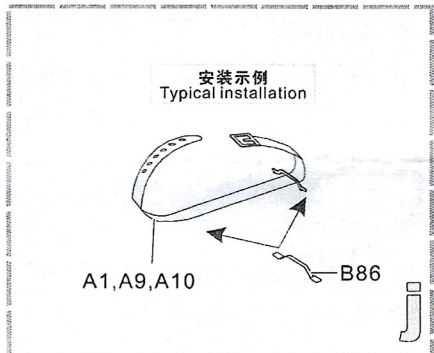
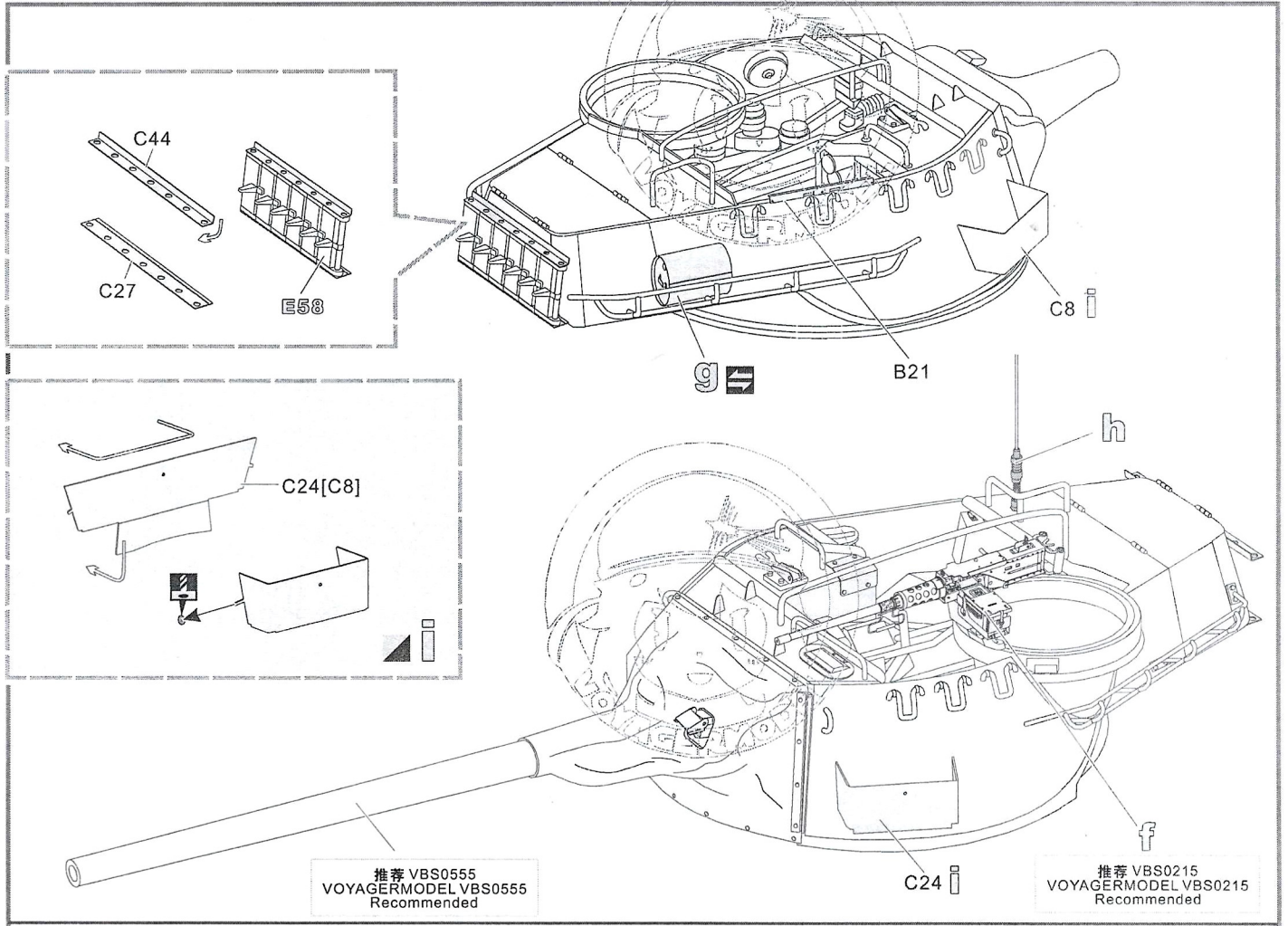
1/35 MILITARY MINIATURE VEHICLE UPGRADE SERIES PE351218



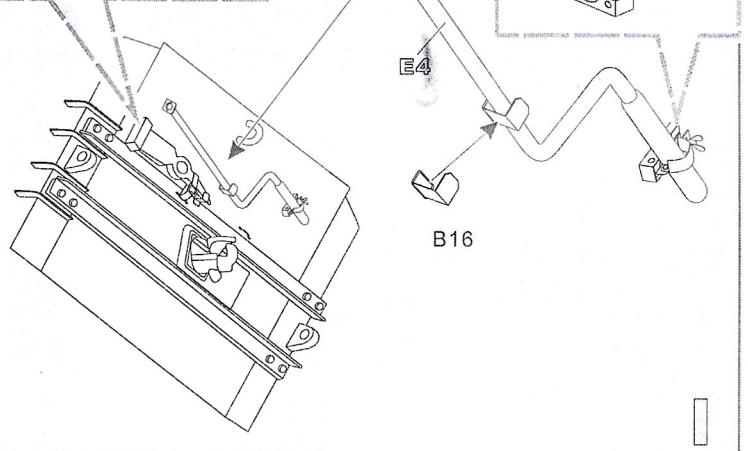
1/35 MILITARY MINIATURE VEHICLE UPGRADE SERIES PE351218



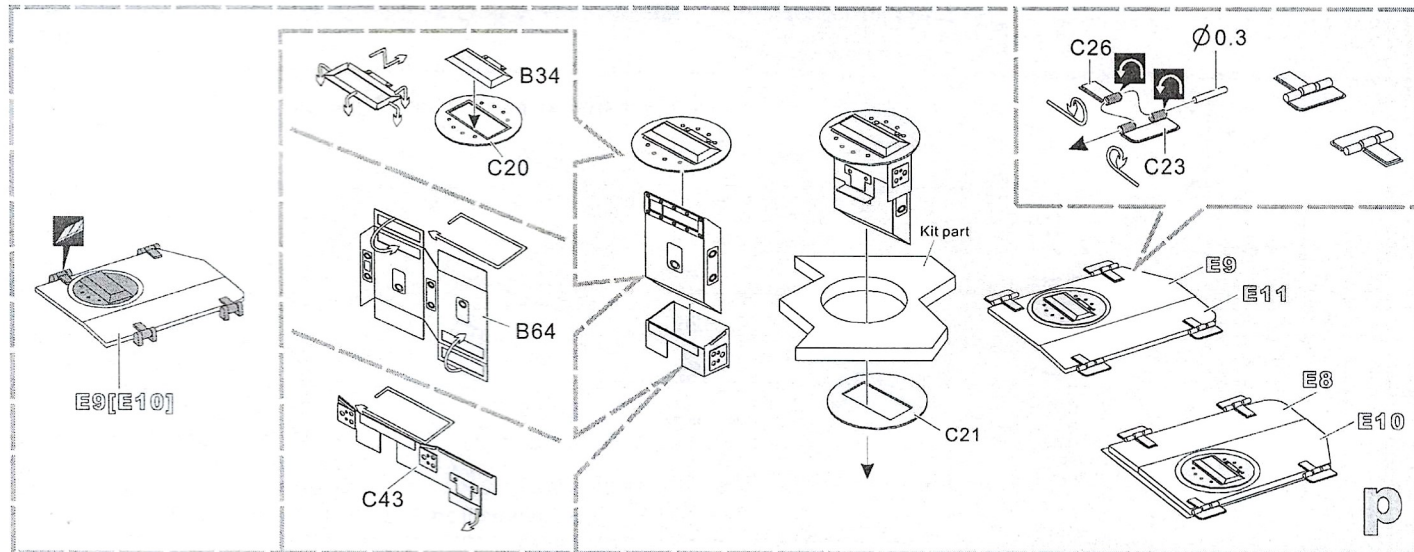
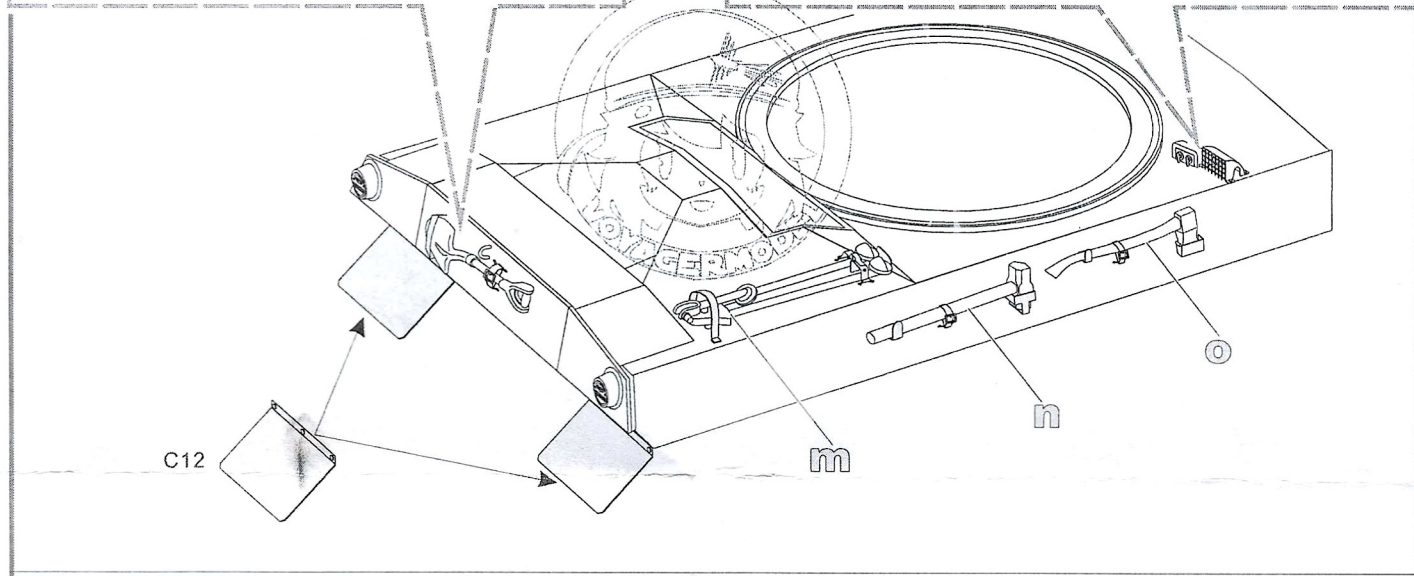
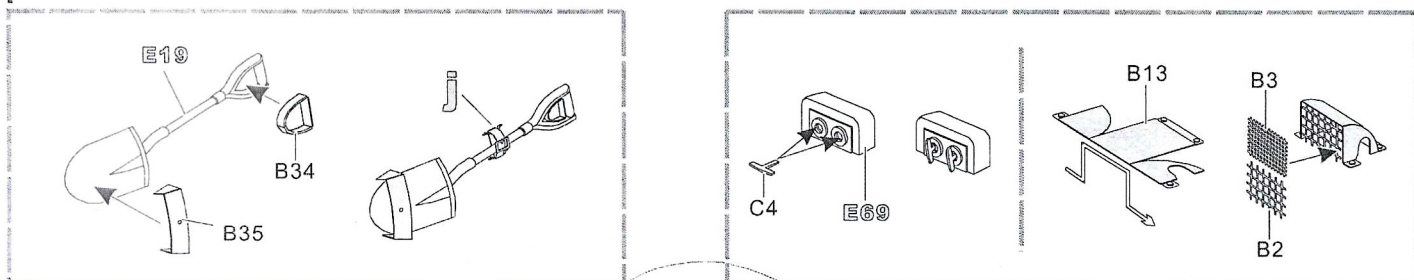
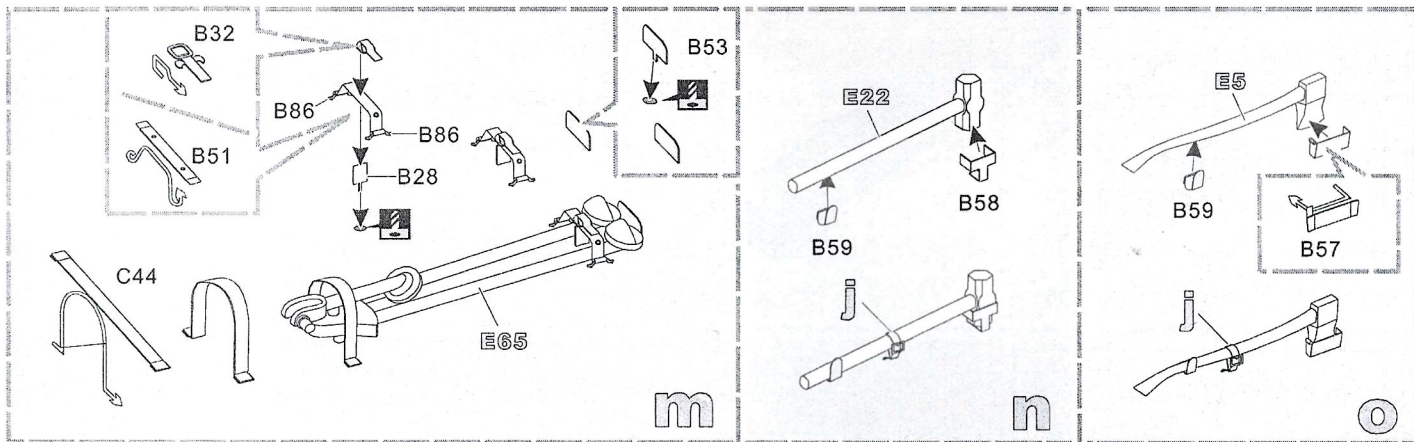
1/35 MILITARY MINIATURE VEHICLE UPGRADE SERIES PE351218



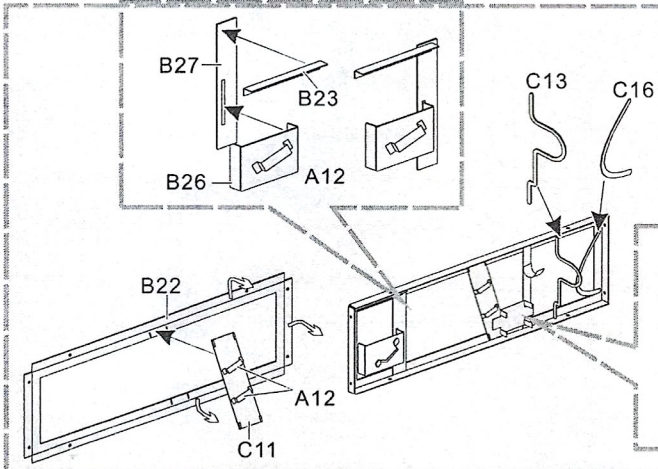
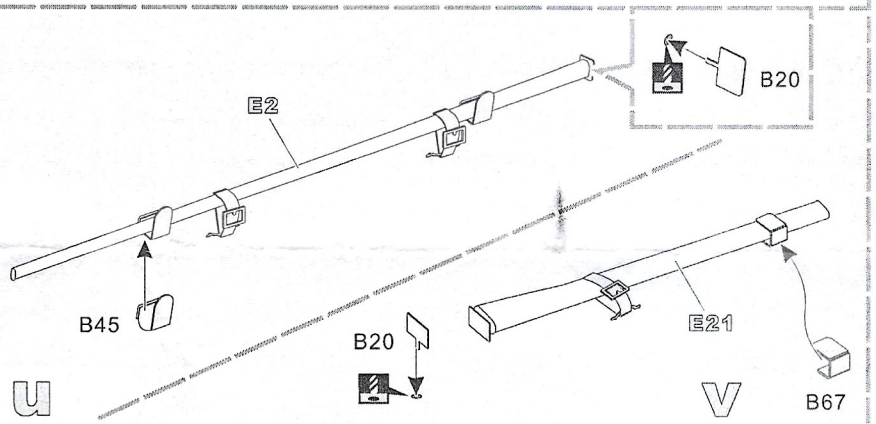
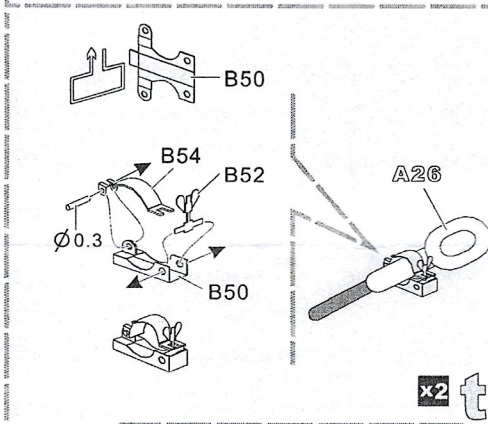
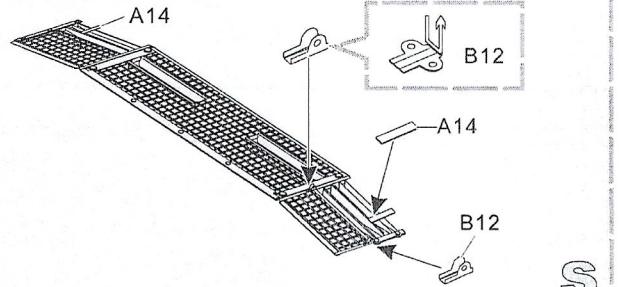
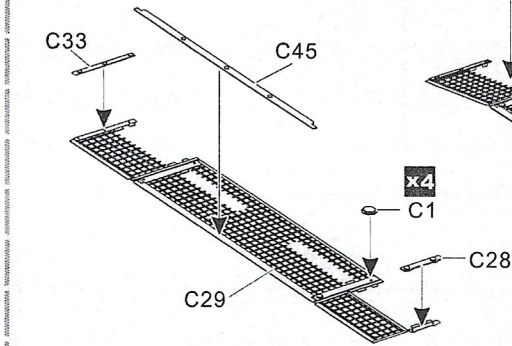
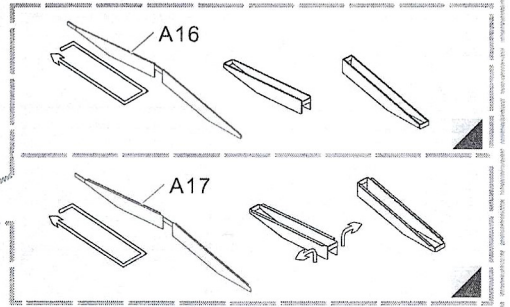
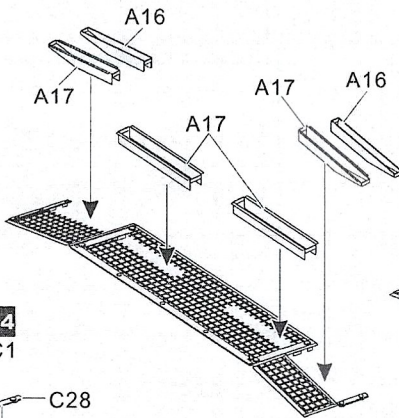
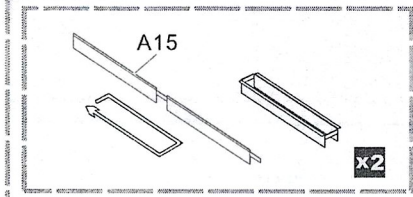
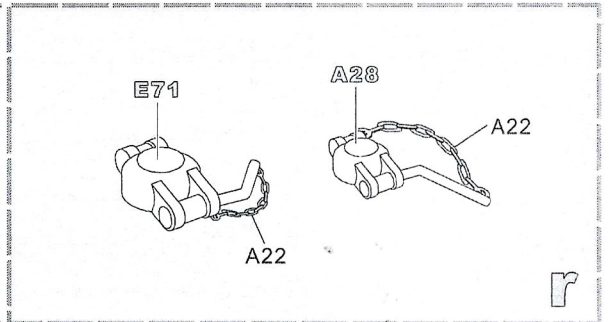
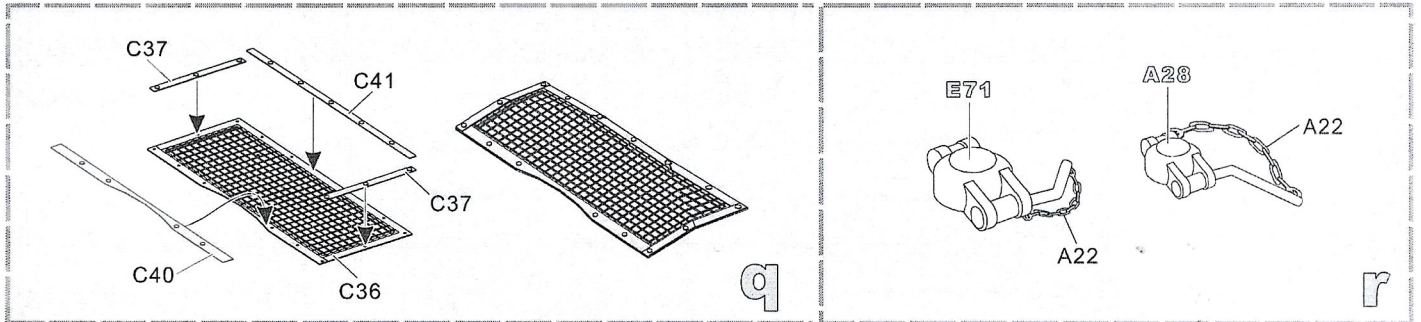
k



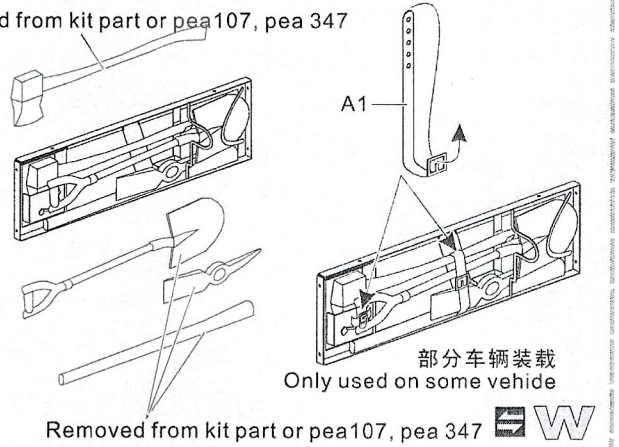
1/35 MILITARY MINIATURE VEHICLE UPGRADE SERIES PE351218



1/35 MILITARY MINIATURE VEHICLE UPGRADE SERIES PE351218

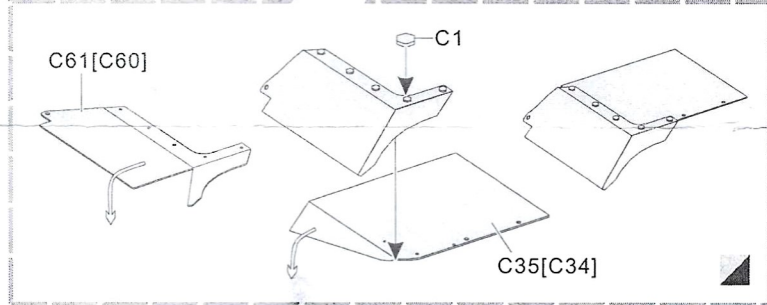
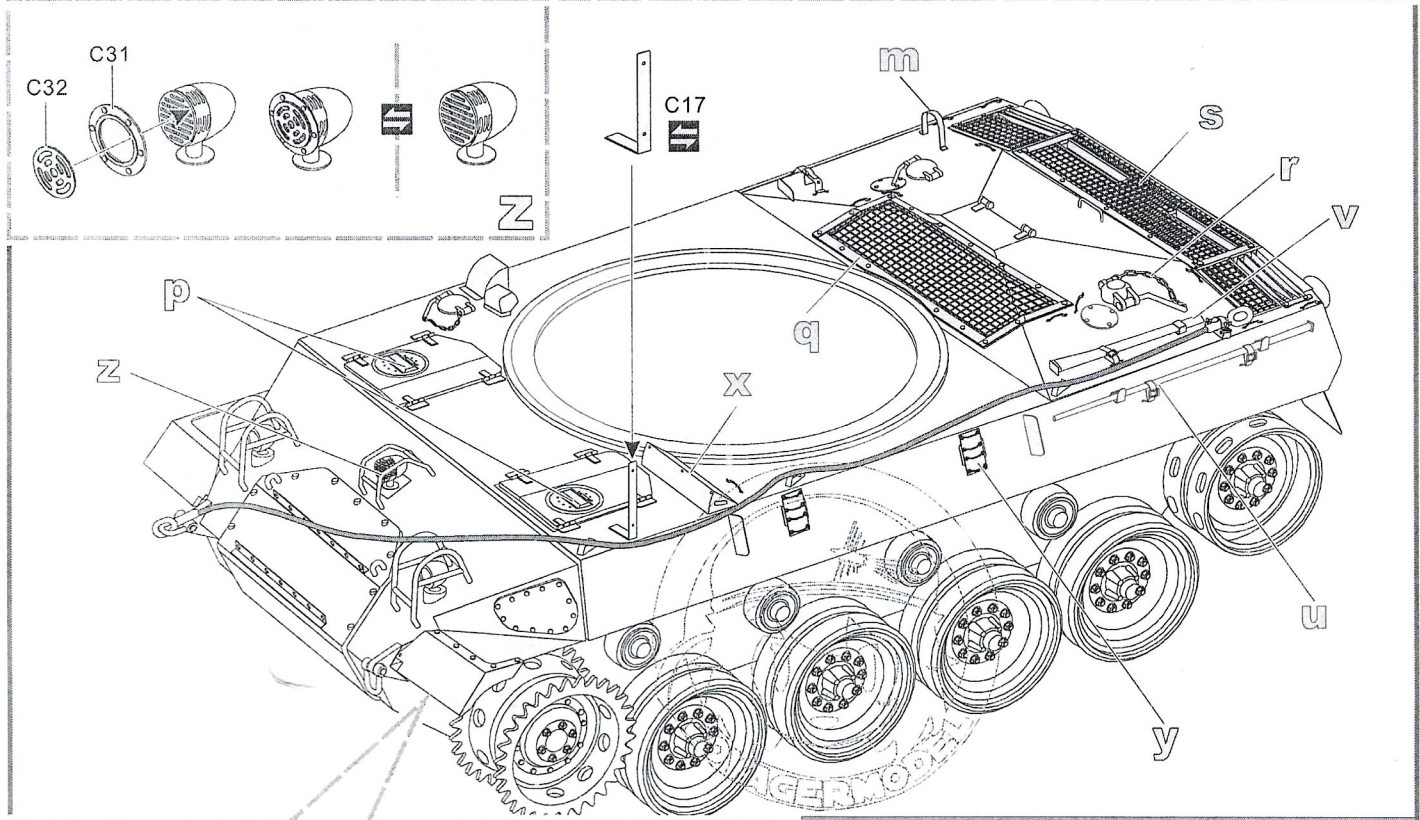
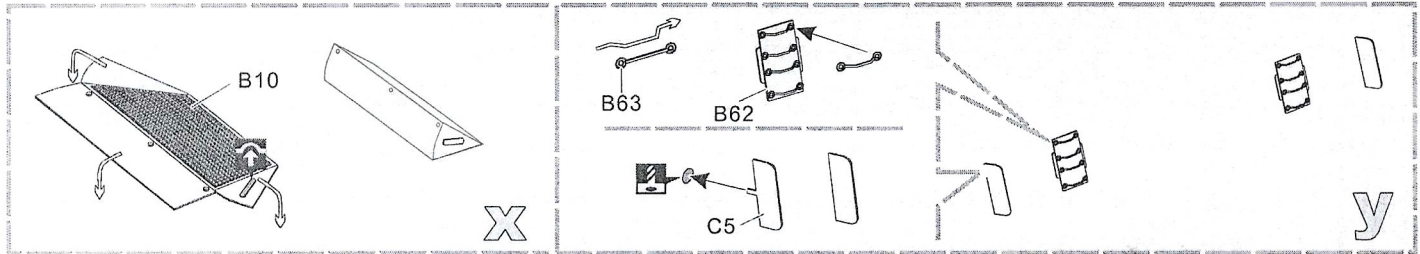


Removed from kit part or pea107, pea 347



部分车辆装载
Only used on some vehicle

1/35 MILITARY MINIATURE VEHICLE UPGRADE SERIES PE351218



VOYAGER MODEL 沃雅不选 谁选谁输
The Best Upgrade Solution

Recommended item

PE 35760	Modern US M60A1 MBT
PE 35618	WWII US FORD G.P.A. JEEP
PE 35678	WWII US M20 armored utility car basic (antenna base include)
PE 35465	WWII U.S. GMC 2.5ton 6X6 Cargo Truck
PE 35703	WWII US M25 tank transporter
PE 35679	WWII US M8 light armored car basic(Gun barrel, antenna base include)
PE 35865	WWII German BAR 305mm Heavy Self-propelled Mortar
PE 35194	WWII U.S. Jeep Willys MB
PE 351010	WWII US M10 IIC Achilles tank destroyer Basic

[Http://www.voyagermodel.com/productdetails.asp?itemid=PE351218](http://www.voyagermodel.com/productdetails.asp?itemid=PE351218)



VOYAGER MODEL



更多PE351218样品照片参考请扫一扫
MORE PICTUER OF PE 351218
REFERENCE SCAN HERE

