



# 84812

## Russian KV-1 model 1942 "Simplified Turret" Tank

# 1/48

ロシア KV-1 重戦車 溶接砲塔 (装甲強化型) 1942年  
苏联KV-1 1942年型(简化炮塔)坦克

### PLEASE READ BEFORE OPERATION!

- \* Tools recommended as below: (Not included)  
Adhesives; Paints; Side Cutters; Sharp Edged Pliers; Modeling Knife; Modeling File; Nippers; Drill; Scissors; Sand Paper; Soft Cloth; Cyanoacrylate Glue.
- \* Make sure to read this instruction listed below before assembling.
- \* The kit contains the small parts, they can be dangerous if swallowed by mistake, so keep them away from reach of children.
- \* Cut the all parts off carefully and remove the waste parts into the garbage can.
- \* More caution and care should be needed for cutting and handling the photo etched parts.
- \* Make attention that some parts should be attached the decal when assembled.
- \* During assembling, please tear up and throw away the plastic bags, or may cause the dangerous if wearing over head by children's mistake.
- \* When using the adhesives and paints, please do not use them in the closed room or near the fire, also must be very careful to protect your eyes, face and clothes.
- \* Adult supervised when assembled by children under 14 years old.

### 装配前请仔细阅读:

- \* 推荐使用的模型工具(请自备):  
专用模型胶水, 专用模型油漆, 水口剪刀, 长咀钳, 刀片, 锉刀, 镊子钳, 钻, 剪刀, 软布, 砂纸, 瞬间快干胶等。
- \* 用水口剪刀或刀片小心切下所有塑胶零件和蚀刻片零件, 不要遗失小零件。
- \* 切取蚀刻片时应特别注意防止利边划伤手指。
- \* 用模型锉刀小心锉平所有零件表面的注射浇口。
- \* 用适量的强力快干胶水粘合蚀刻片零件和金属轴, 切忌过量, 否则可能导致可动零件被粘住。
- \* 注意某些零件表面需在装配时同步贴水上贴纸。
- \* 制作时应远离幼儿并将包装袋及时收妥, 谨防小孩玩耍而引起意外。



cyanoacrylate glue  
强力胶



weight  
配重



make hole  
钻孔



cut / remove  
切除



option  
选择



no cement  
不涂胶水



decal  
贴纸



bend  
弯曲

### The way to apply the decals

1. Cut off the decal from the decal paper and put it into the warm water 40°C for 10 seconds.
2. Take the decal from the water and put it on a piece of clean cloth.
3. Remove the decal slowly from the paper to the targeted location by a wet finger.
4. Use a piece of dry and soft cloth to press it gently on the decal until it getting dry and no bubble existing.

### 水贴纸的使用方法:

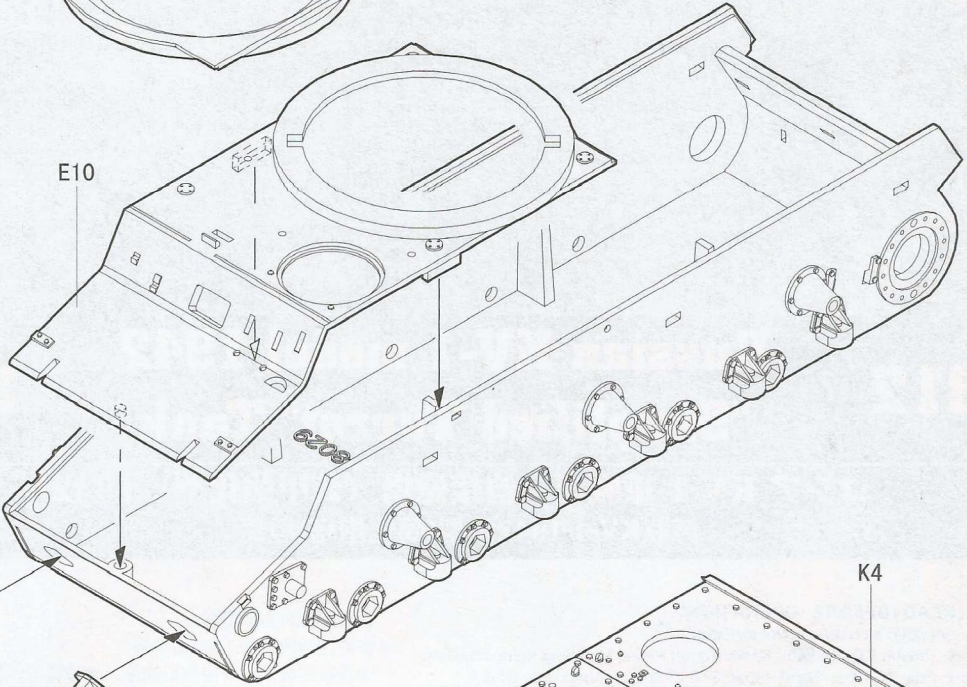
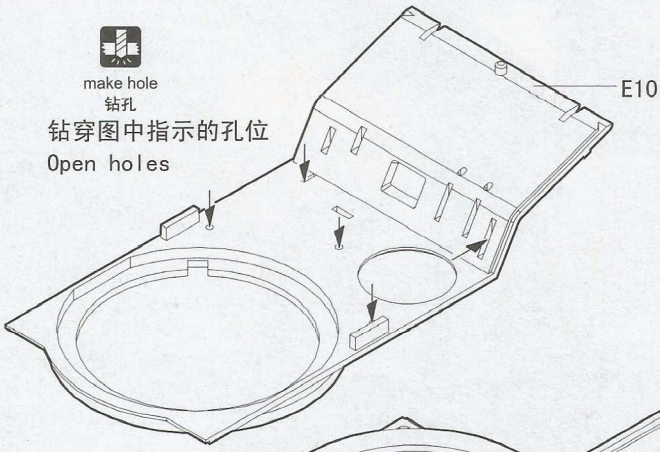
- 一. 把相关的印花从水贴上剪下, 放入40°C左右的温水中浸10秒。
- 二. 然后将印花放在干净的布上。
- 三. 拿上印花纸板, 手指蘸水将印花移到适当的位置。
- 四. 用软干布轻压印花直至水干, 气泡消失。

**1**  
STEP

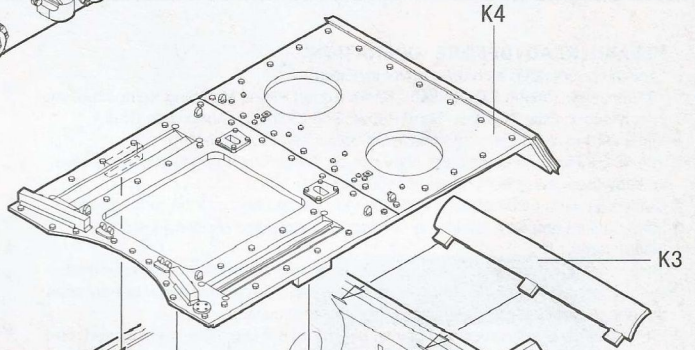


make hole  
钻孔

钻穿图中指示的孔位  
Open holes



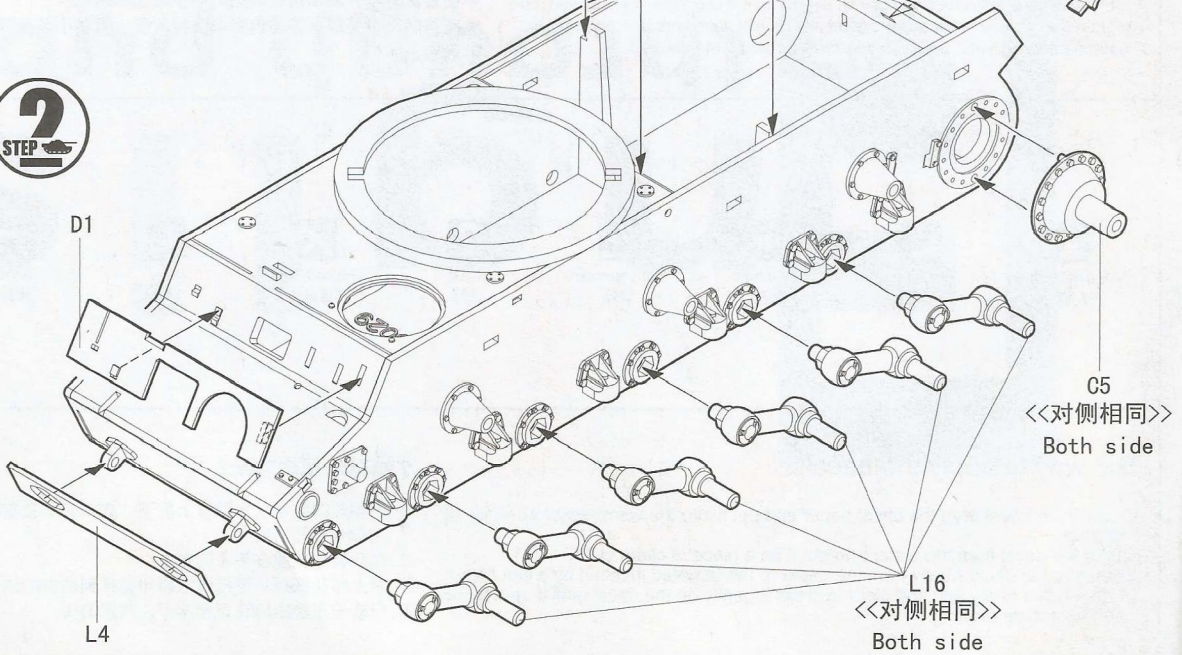
C17



K4

K3

**2**  
STEP



D1

L4

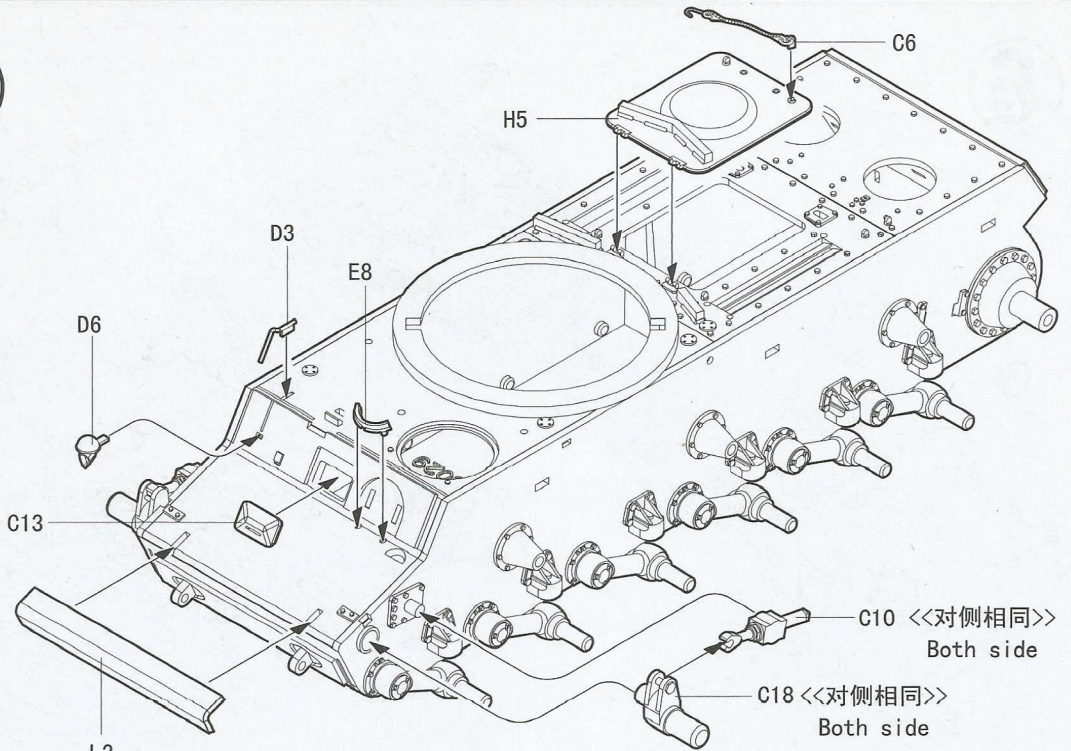
C5

<<对侧相同>>  
Both side

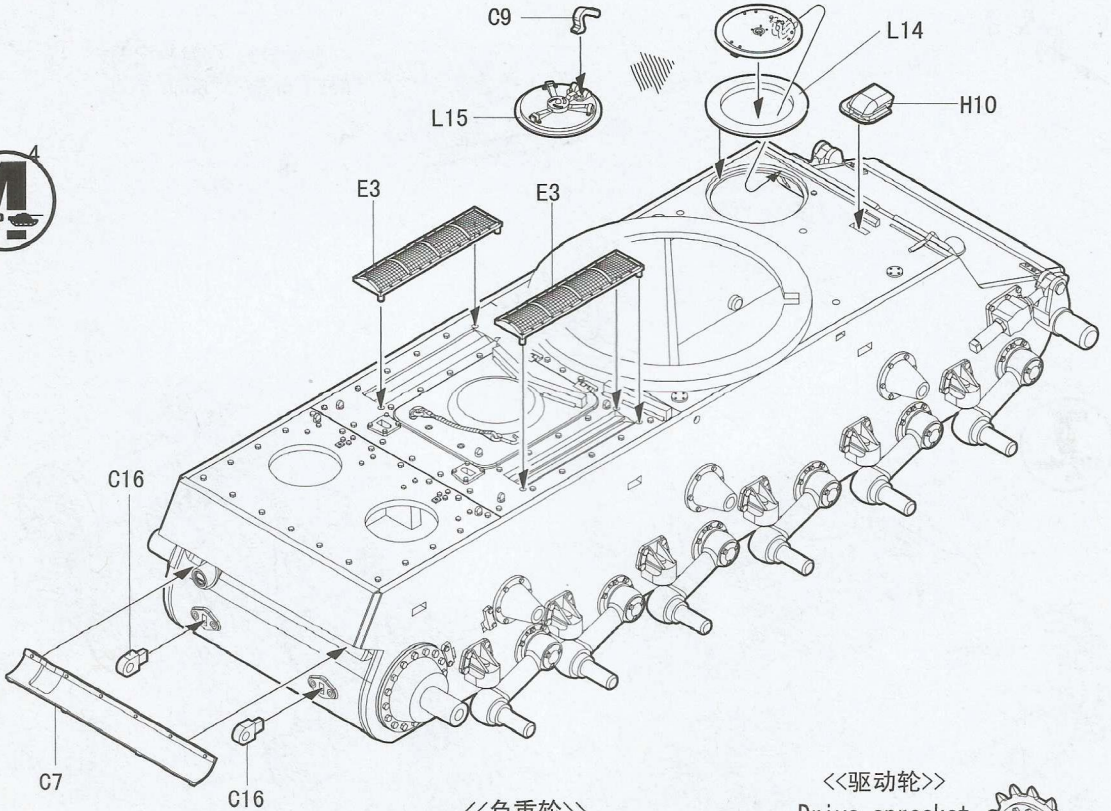
L16

<<对侧相同>>  
Both side

**3**  
STEP

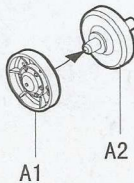


**4**  
STEP



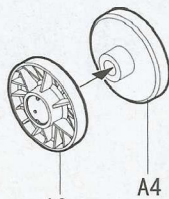
**5**  
STEP

《托带轮》  
Support rollers



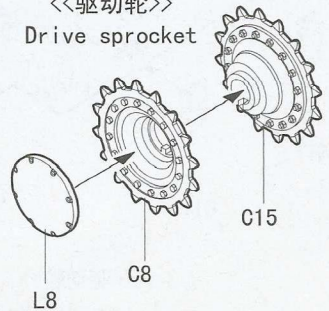
制作6套  
Make six

《负重轮》  
Road wheel



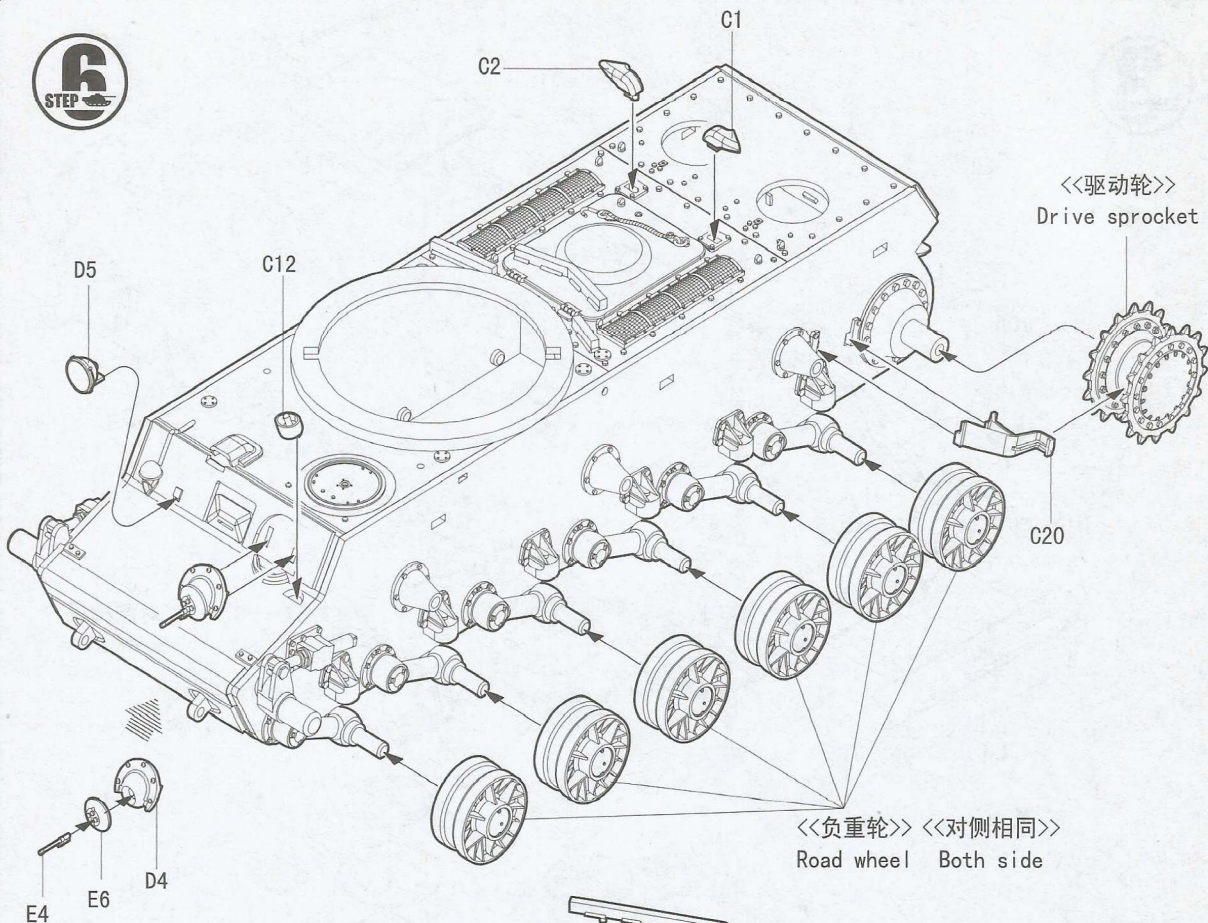
制作12套  
Make twelve

《驱动轮》  
Drive sprocket

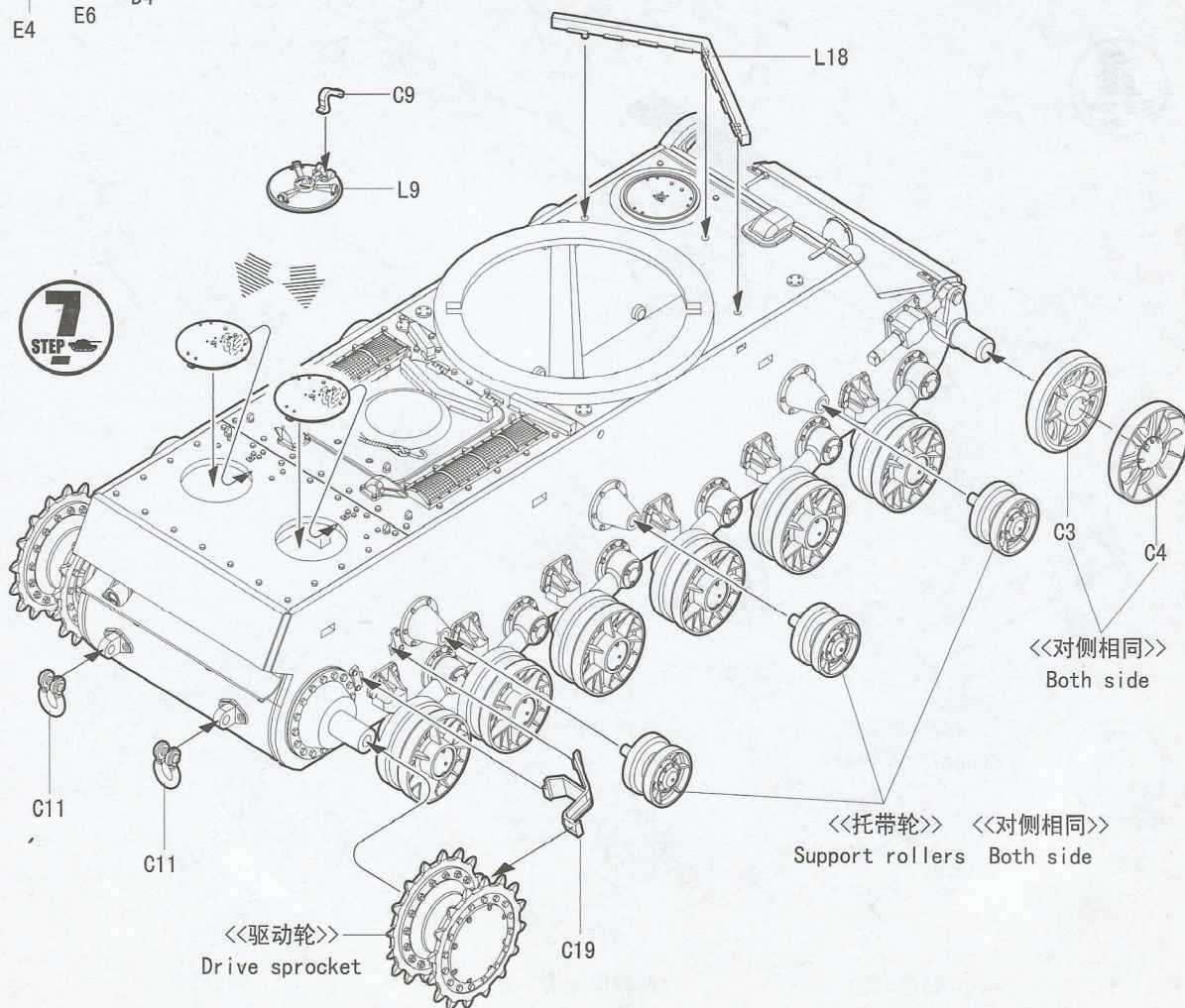


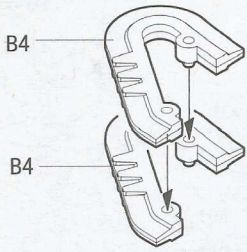
制作2套  
Make two

**6**  
STEP



**7**  
STEP

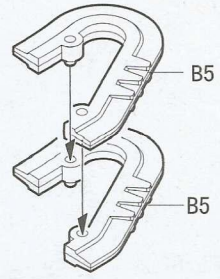




B4

B4

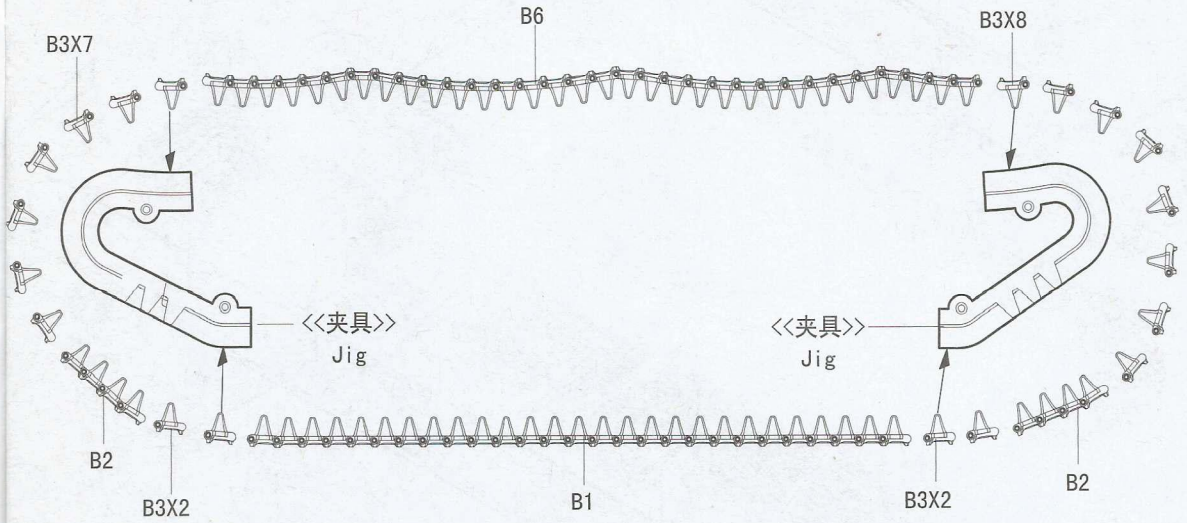
<<夹具>>  
Jig



B5

B5

<<夹具>>  
Jig



B3X7

B6

B3X8

<<夹具>>  
Jig

<<夹具>>  
Jig

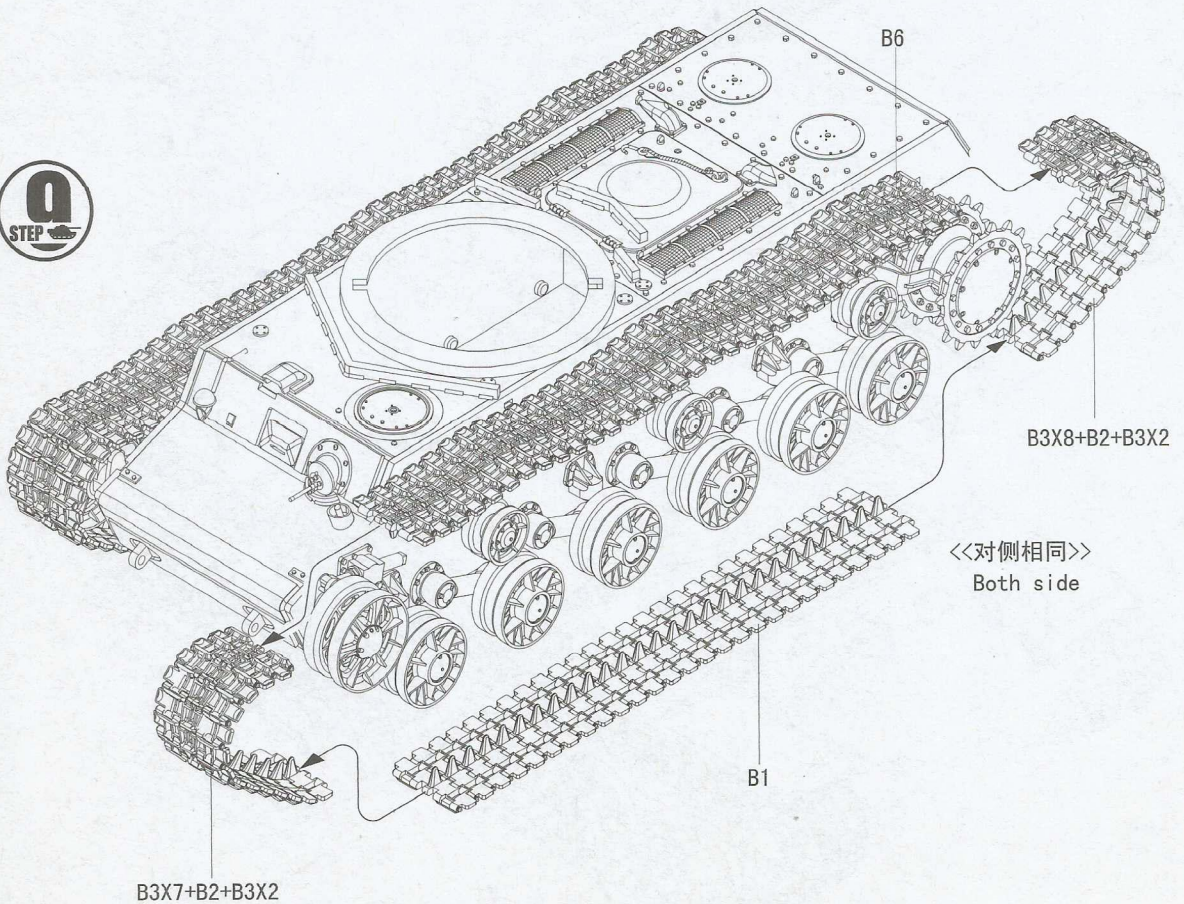
B2

B3X2

B1

B3X2

B2



B6

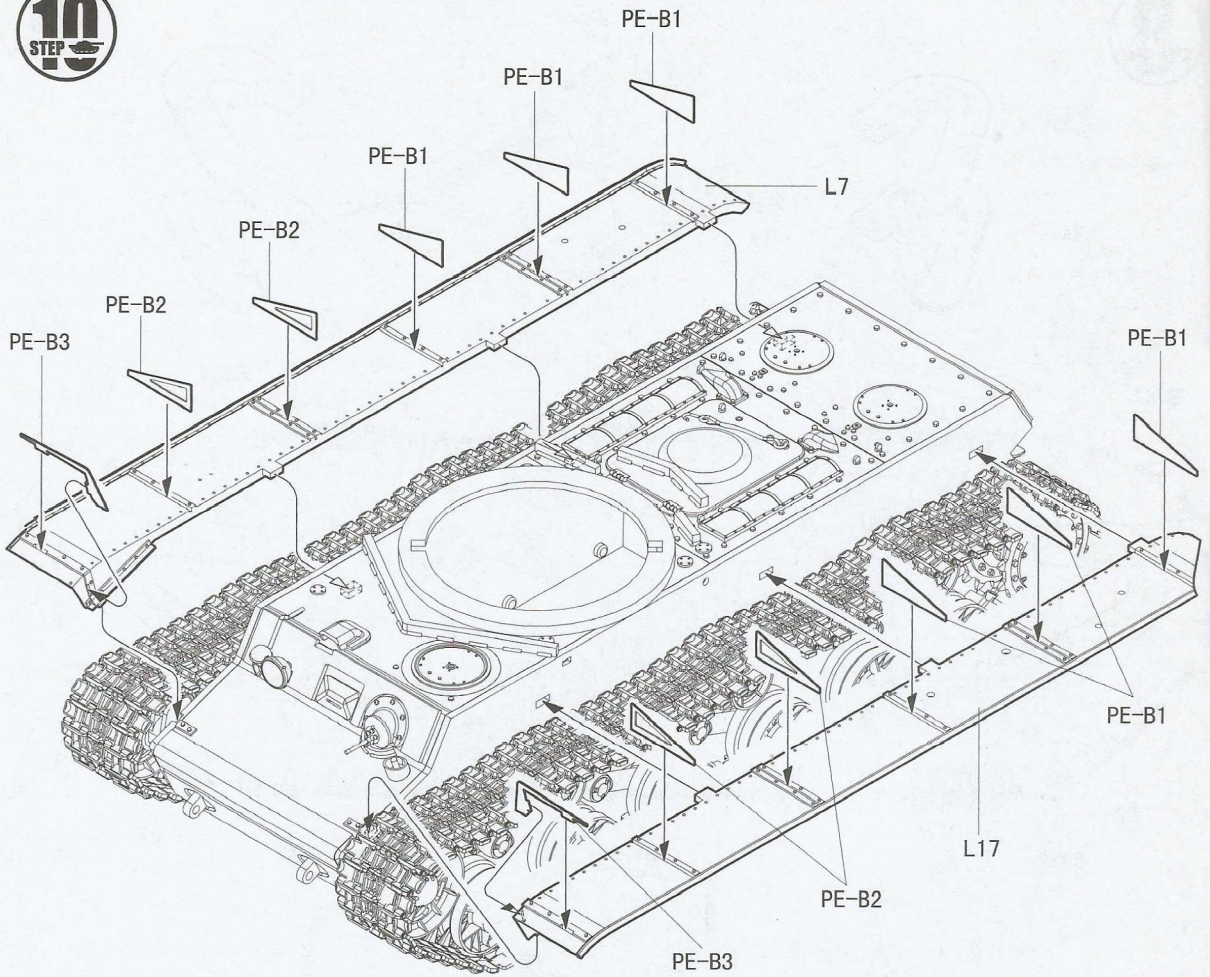
B3X8+B2+B3X2

<<对侧相同>>  
Both side

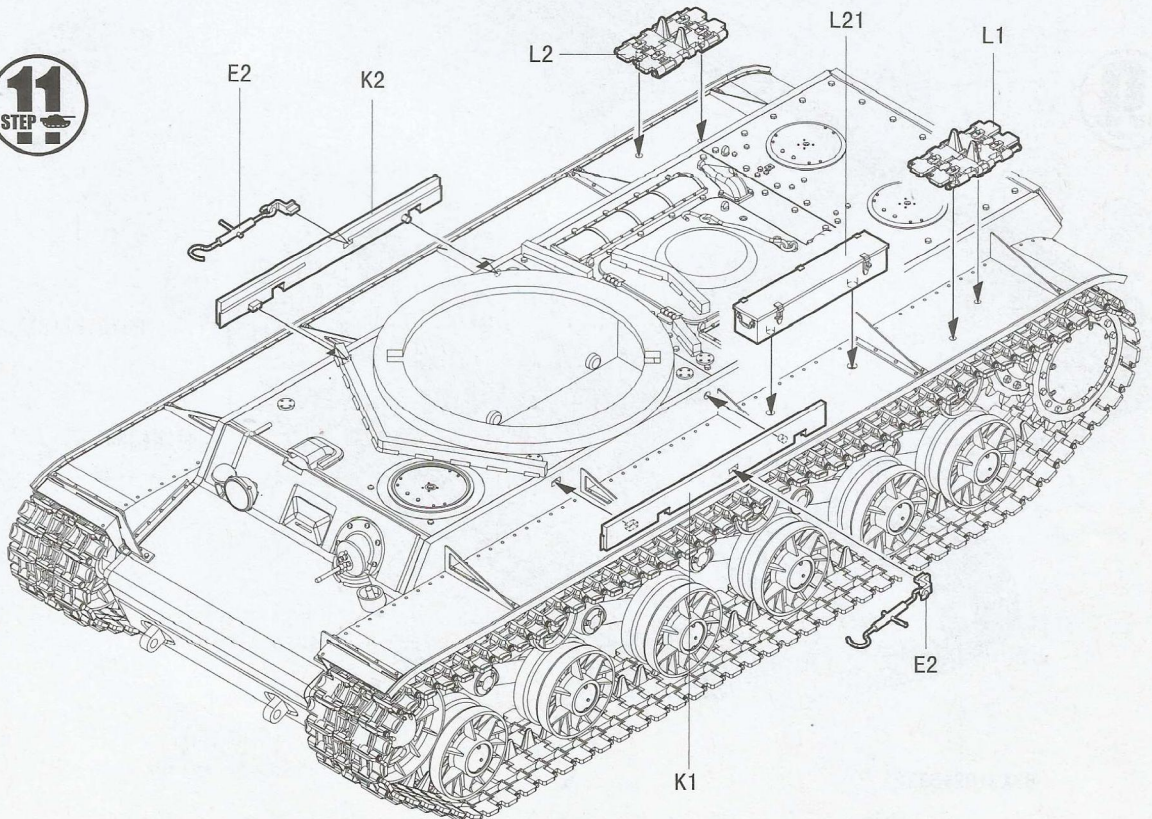
B1

B3X7+B2+B3X2

**10**  
STEP



**11**  
STEP

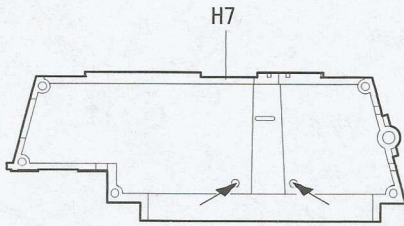




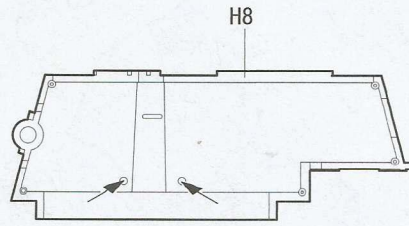
option  
选择

若选装H3或H4。则碰穿H7或H8所指定位孔。

Make hole if attaching H3 or H4.



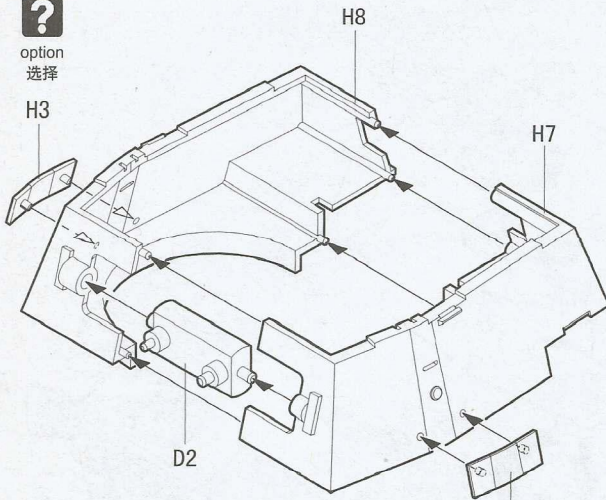
make hole  
钻孔



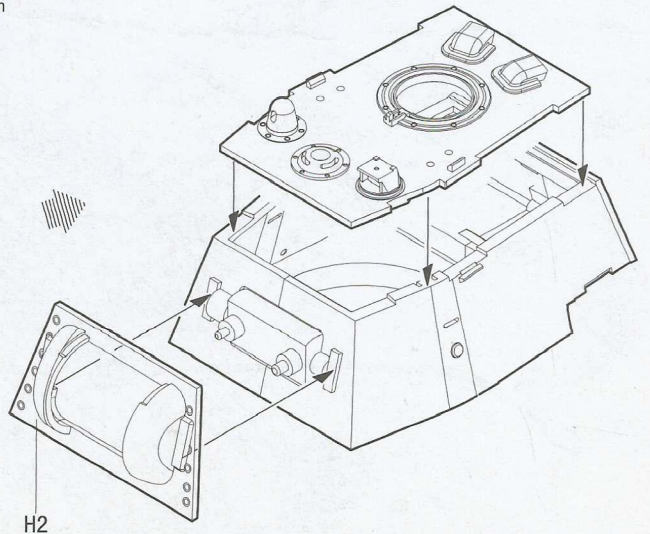
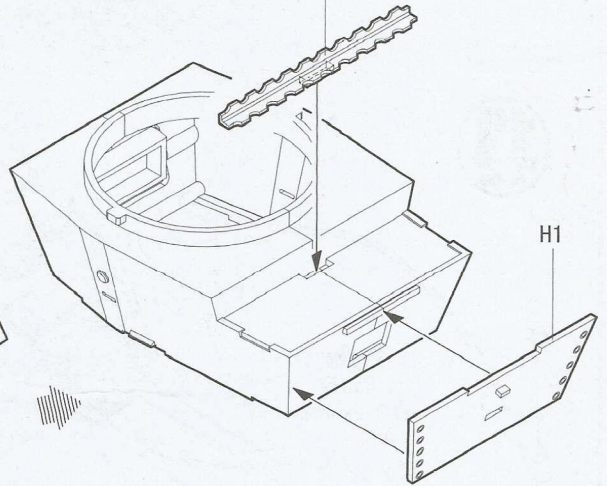
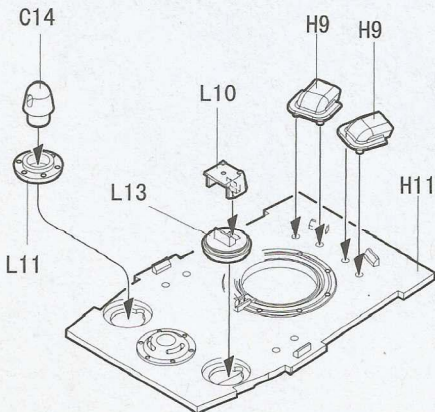
make hole  
钻孔

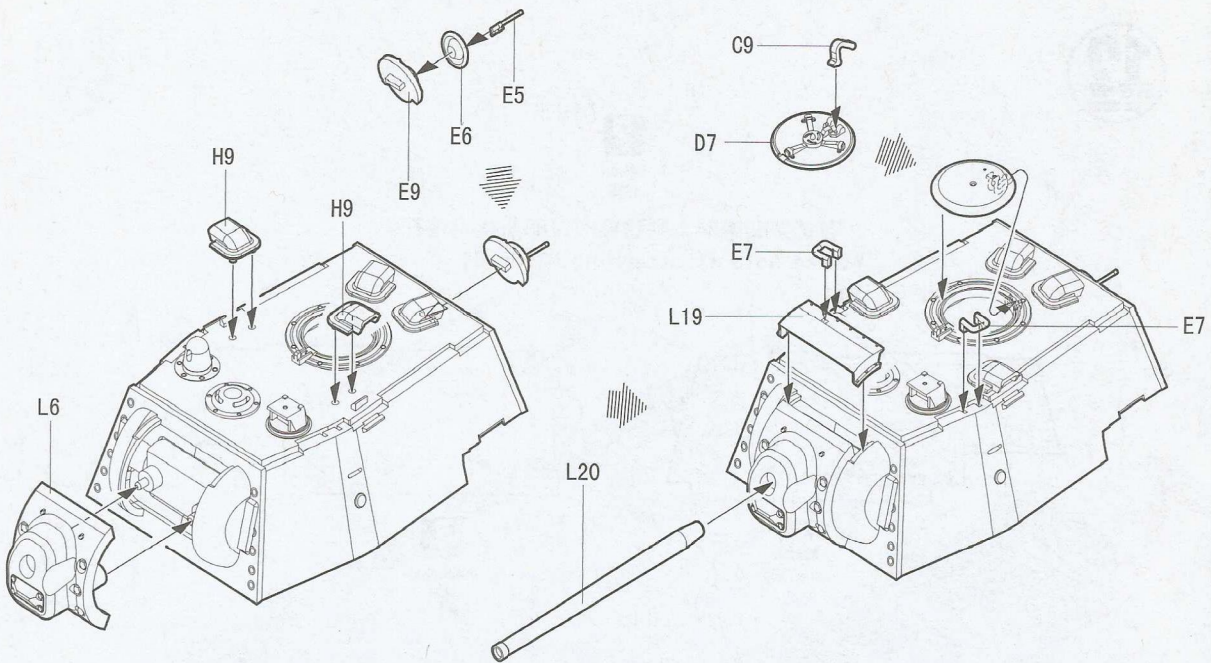


option  
选择

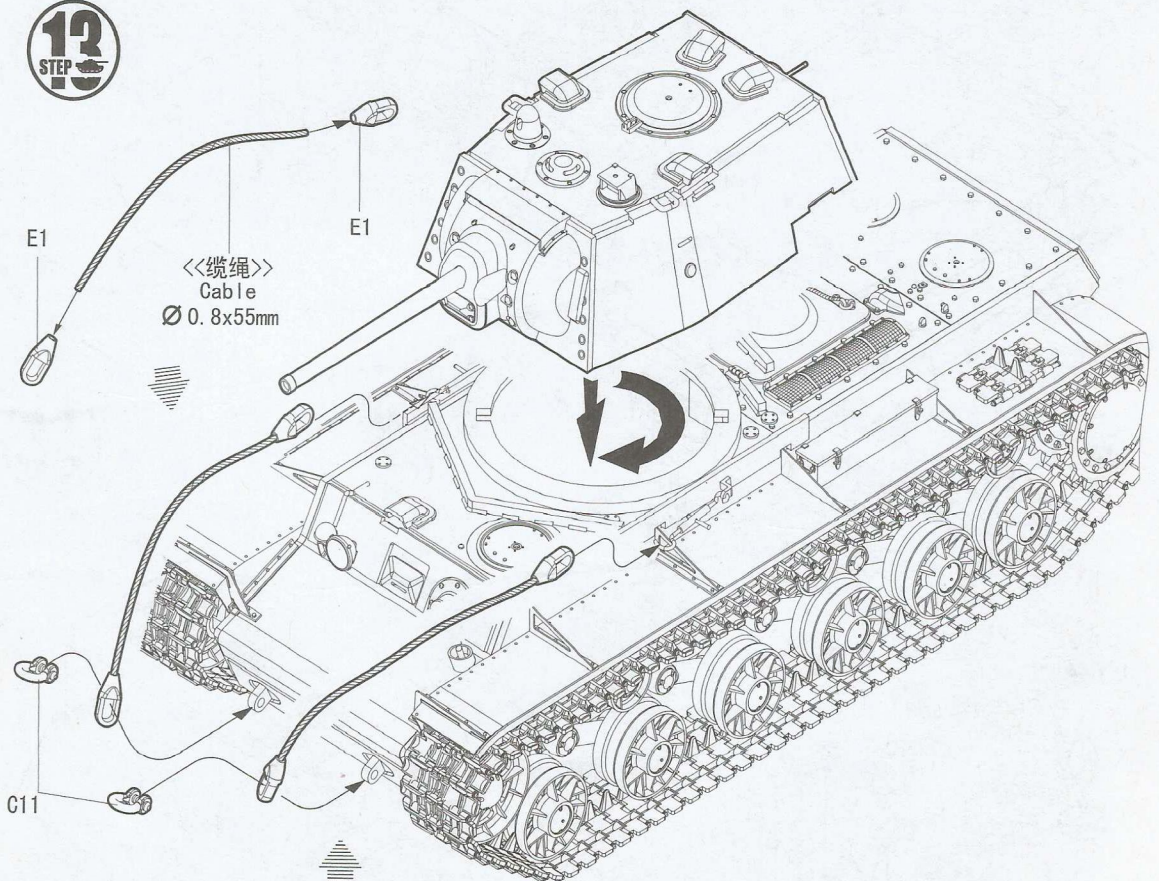


option  
选择





**13**  
STEP



《《缆绳》》  
Cable  
Ø 0.8x55mm

《《缆绳》》  
Cable  
Ø 0.8x55mm

E1

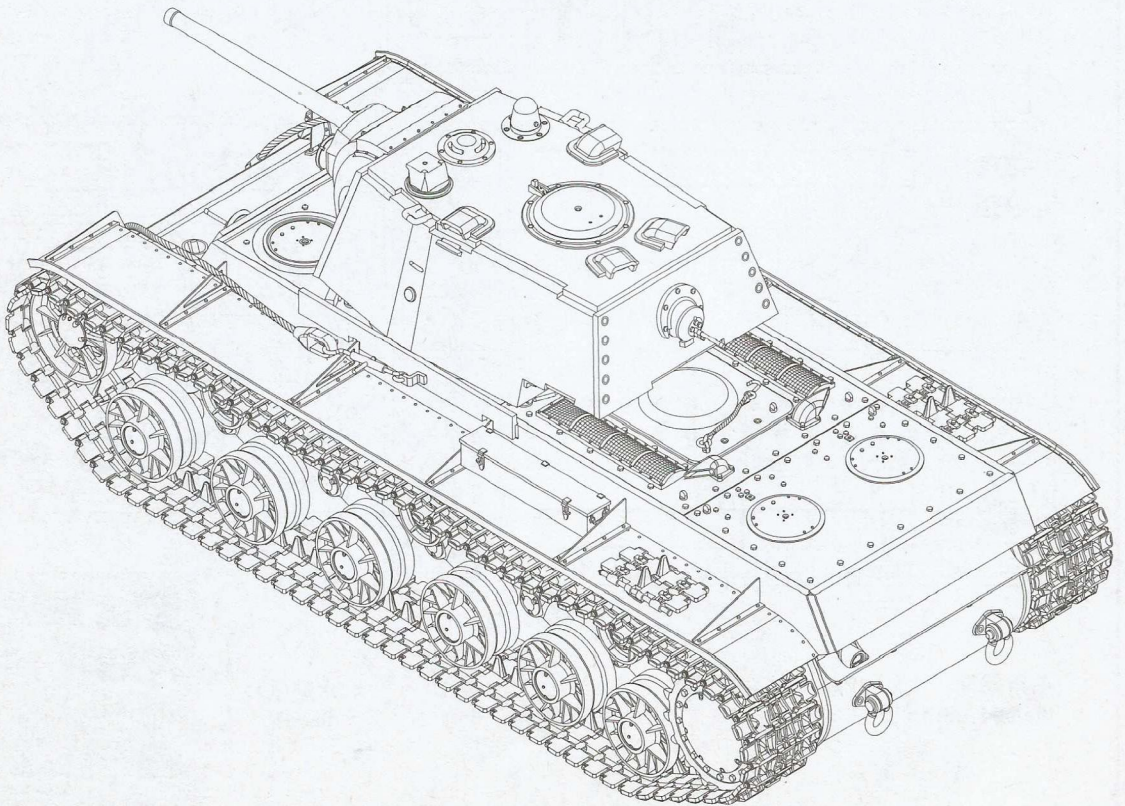
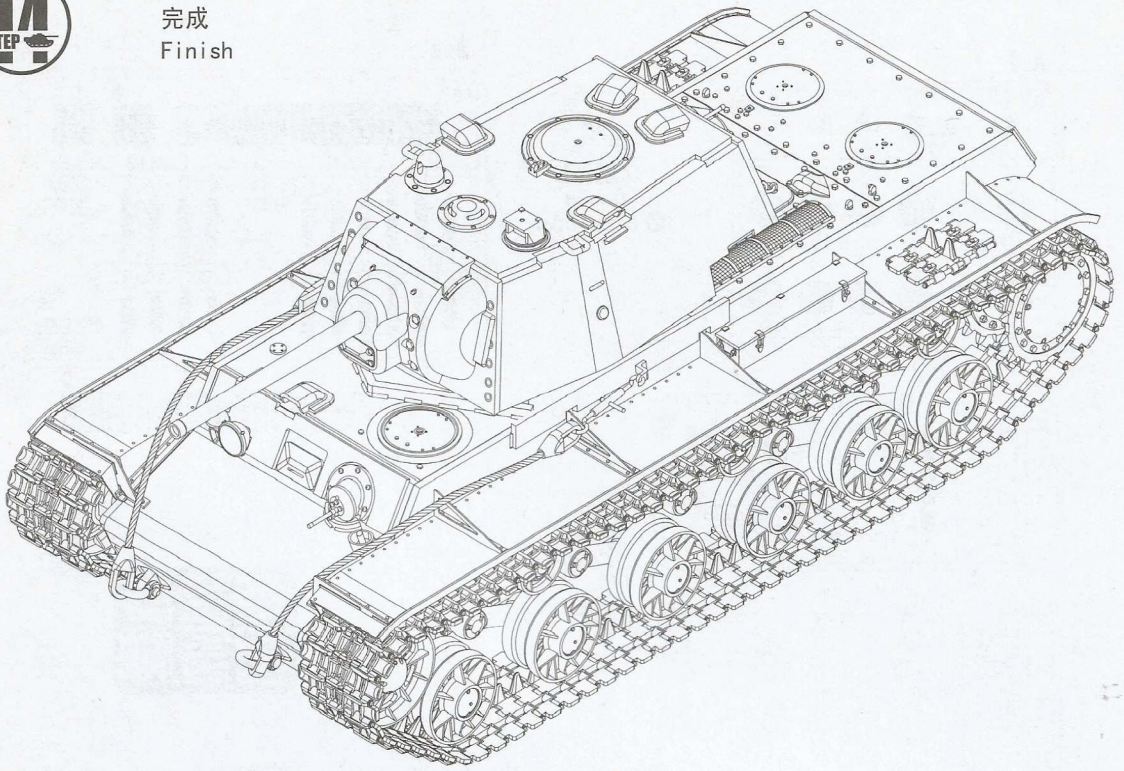
E1



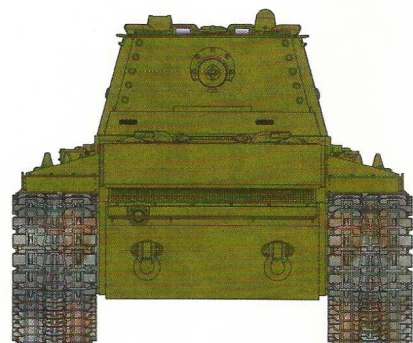
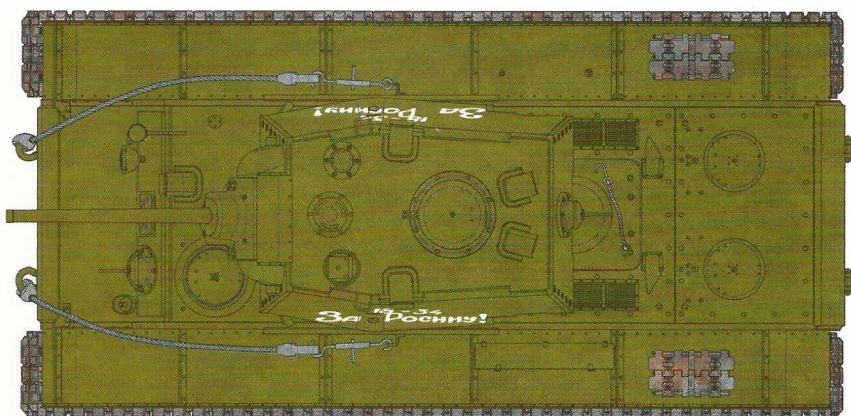
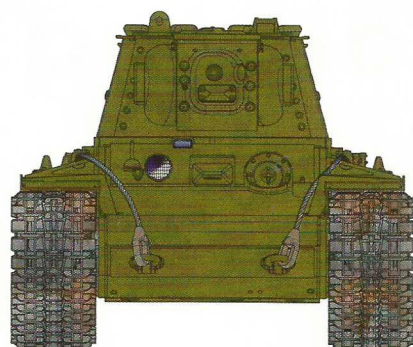
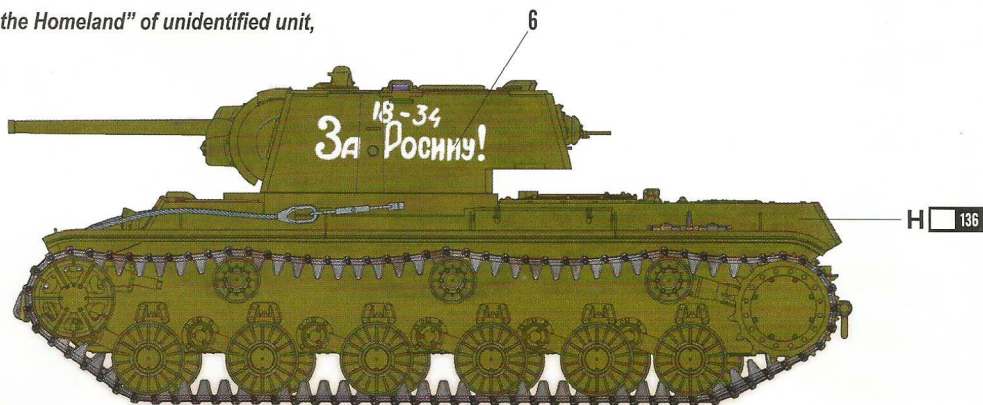


14  
STEP

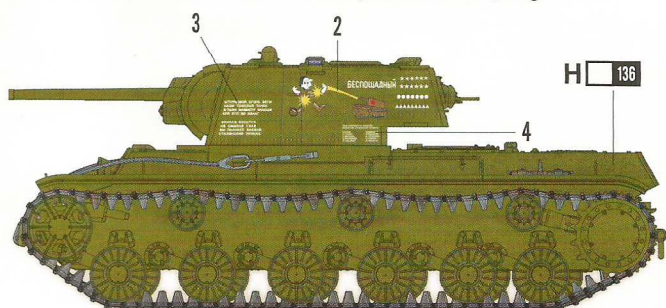
完成  
Finish



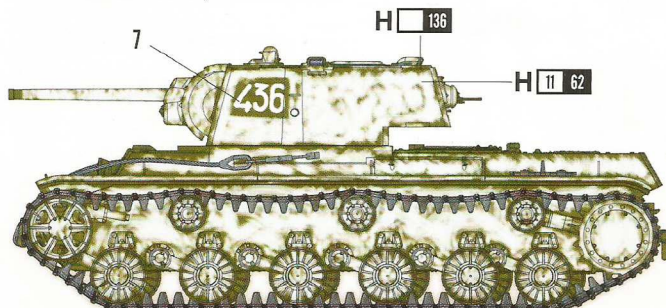
I KV-1 heavy tank named "For the Homeland" of unidentified unit, Stalingrad, November 1942.



II KV-1 heavy tank of the 12th Guards Armoured Regiment, 1st Moscow Mechanised Division, Eastern Front, August 1942.



III KV-1 heavy tank of unidentified unit, Stalingrad Front, Eastern Front, Winter 1943.



1:48 Scale

H 136

H 11 62

Russian Green  
(2)

Flat White

NO.:84812

使用郡仕公司涂料  
GUNZE SANGYO Mr. Color used

8 GUNZE SANGYO AQUEOUS HOBBY COLOUR  
8 GUNZE SANGYO MR.COLOUR

※Some paints may not be available in your country. Please check your local hobby shop for substitute