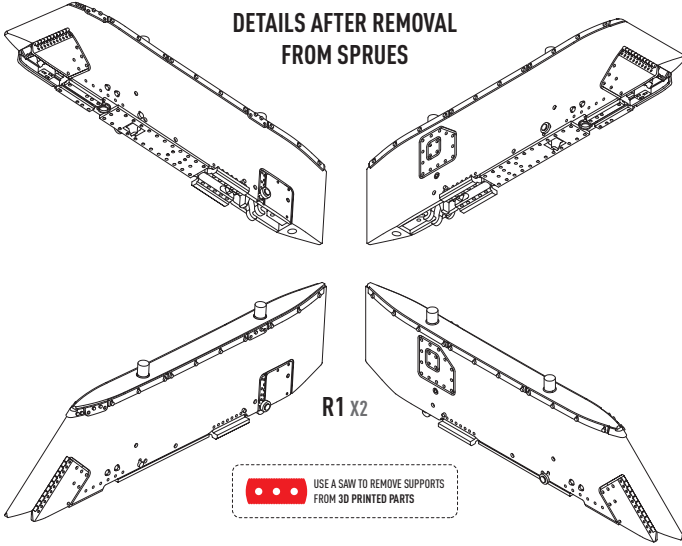
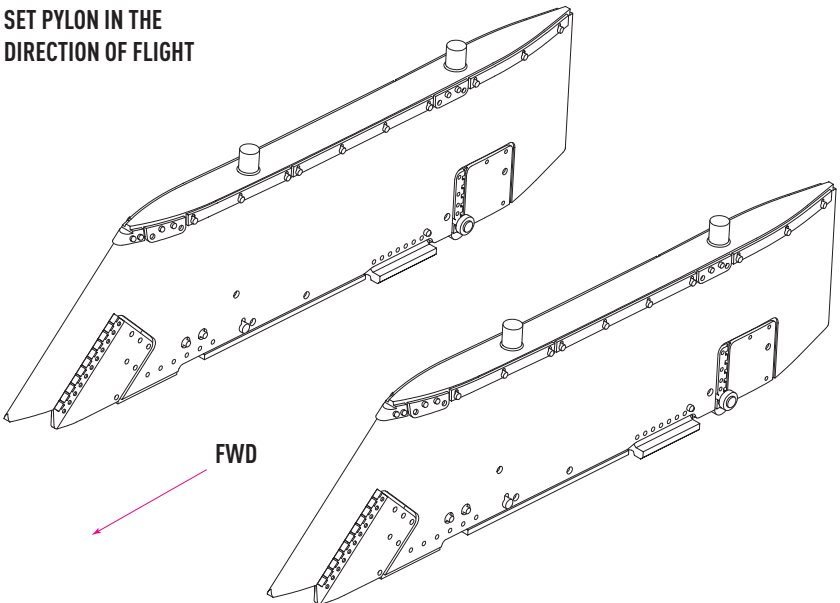
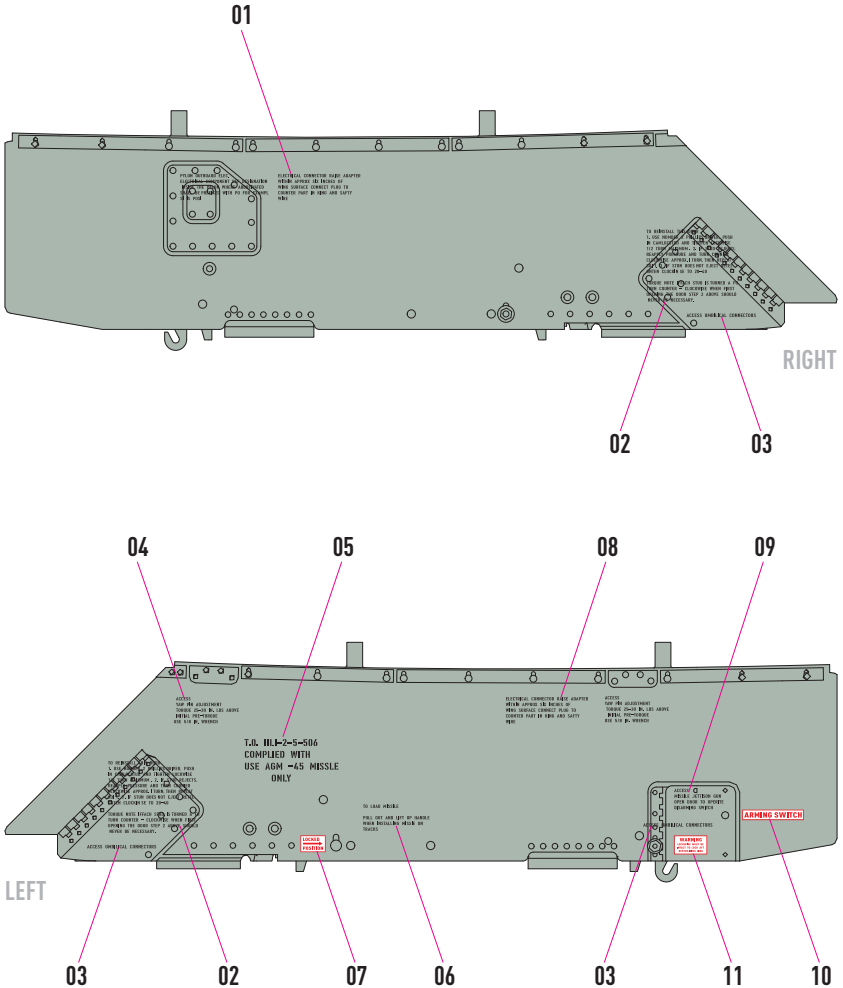


### DETAILS AFTER REMOVAL FROM SPRUES



### SET PYLON IN THE DIRECTION OF FLIGHT





**PAINT PYLONS IN THE COLOR  
OF THE AIRCRAFT**