



VERLINDEN PRODUCTIONS

Ondernemersstraat 4
B-2500 LIER/BELGIUM

CE **MADE IN BELGIUM**

AGE 14 AND UP/ ET PLUS

AH-64A APACHE UPDATE SET

**1:48
683**

RESIN PARTS

Remove shaded areas



R7



R15

R4



R10



R8

R6



R5



R3



R1

R2



R13 2x



R14 2x



R11

R12



R9

CAUTION

These photo-etched parts and resin accessories can only be glued with cyanoacrylate (Super Glue). Thoroughly clean the parts before gluing.

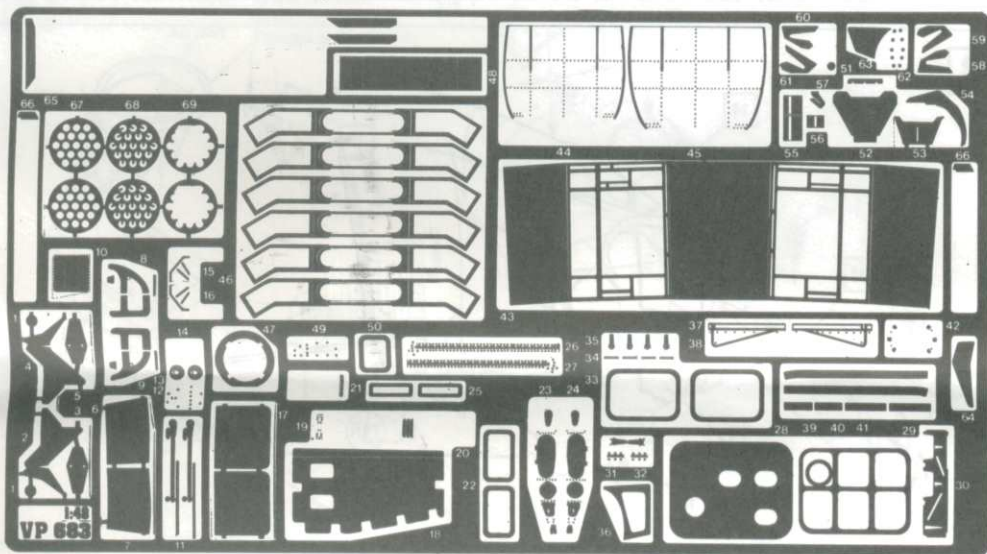
READ BEFORE ASSEMBLY

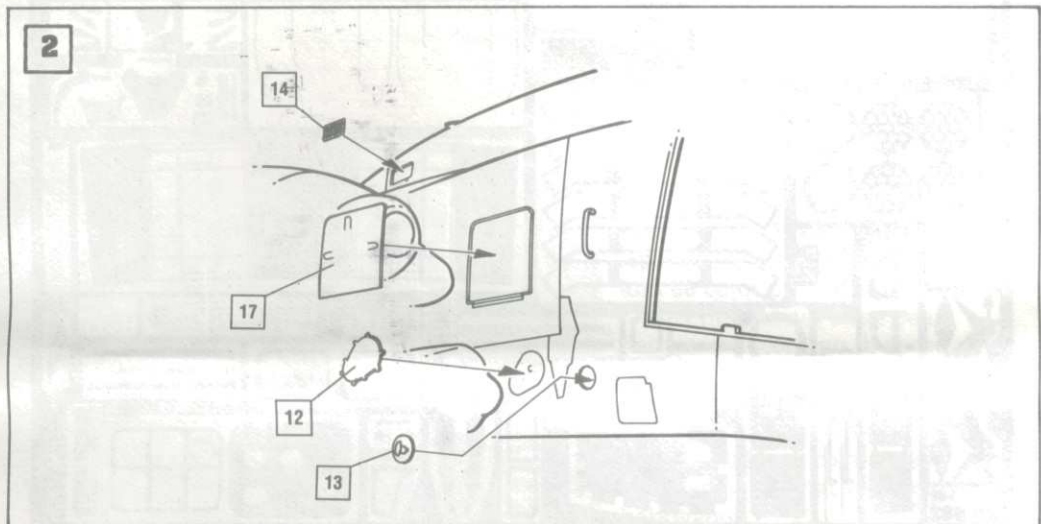
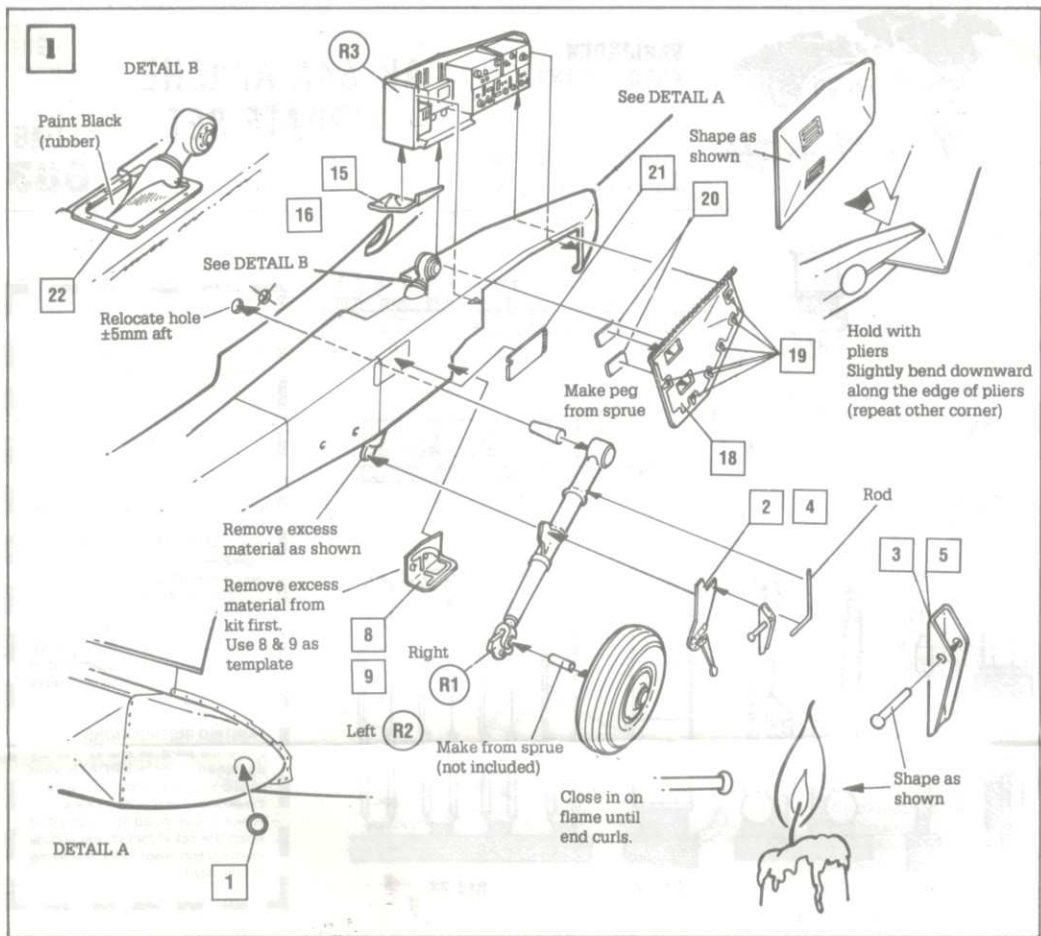
This instruction sheet indicates the use of the VP Update Set parts. It does not replace the instruction sheet of the plastic kit which needs to be purchased in combination with this Update Set. This sheet merely indicates the proper sequence of gluing the VP parts. When kit parts need to be cut or changed it is indicated accordingly. Every individual should determine at which stage of the assembly the VP parts are needed. It is advised to study both instruction sheets before you start assembly.

PAINTING INSTRUCTIONS

Since the parts of this VP set are designed to only UPDATE your plastic kit, the painting directions of the plastic kit should be followed. When areas need to be painted which are not shown on the original kit instruction sheet, color indications are provided.

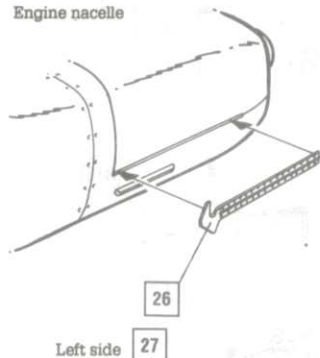
PHOTO-ETCHED PARTS





3

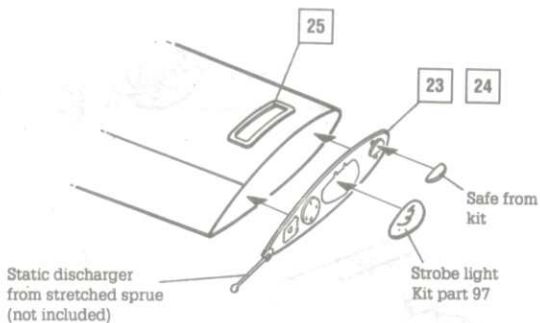
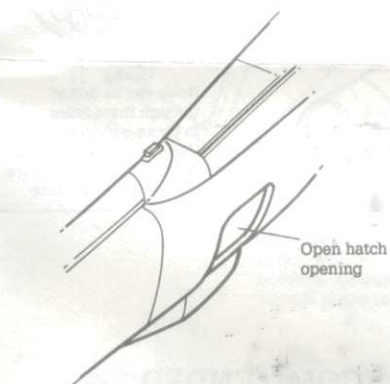
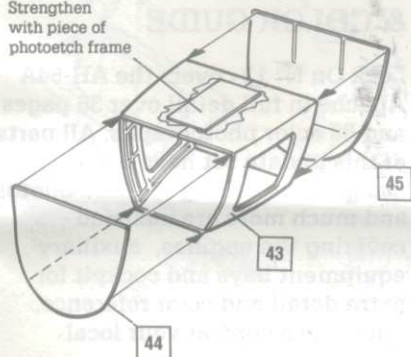
Engine nacelle



Left side

26

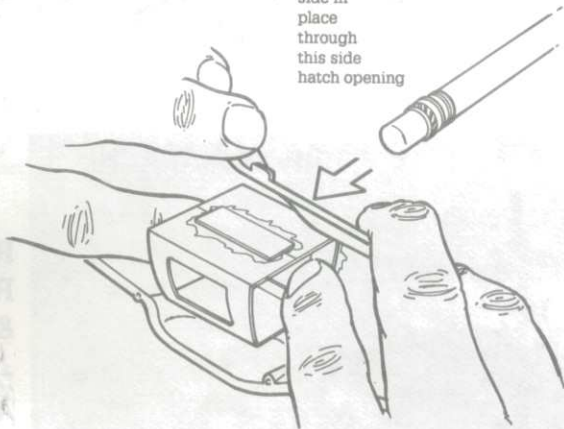
27

Static discharger
from stretched sprue
(not included)Safe from
kitStrobe light
Kit part 97**4**Open hatch
openingStrengthen
with piece of
photoetch frame

45

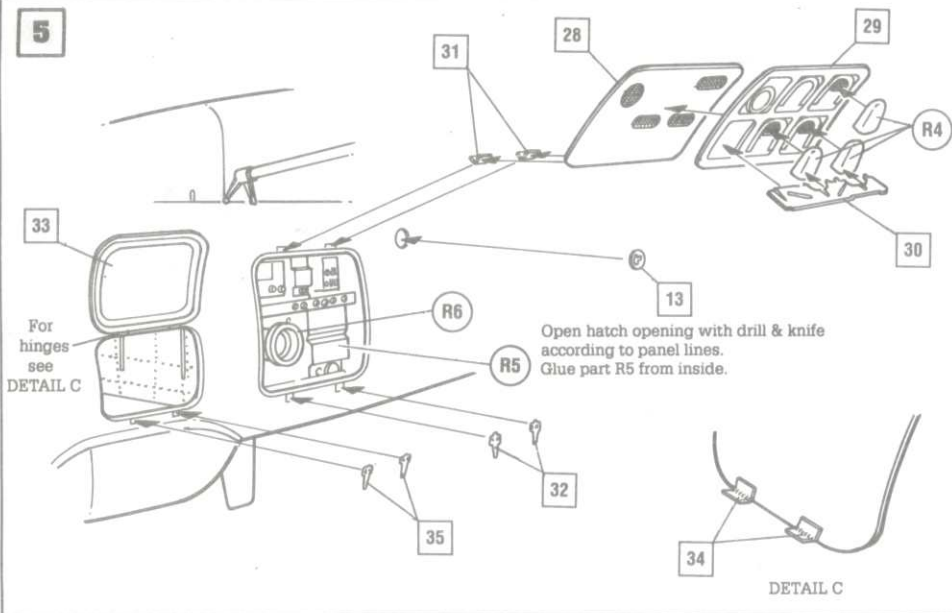
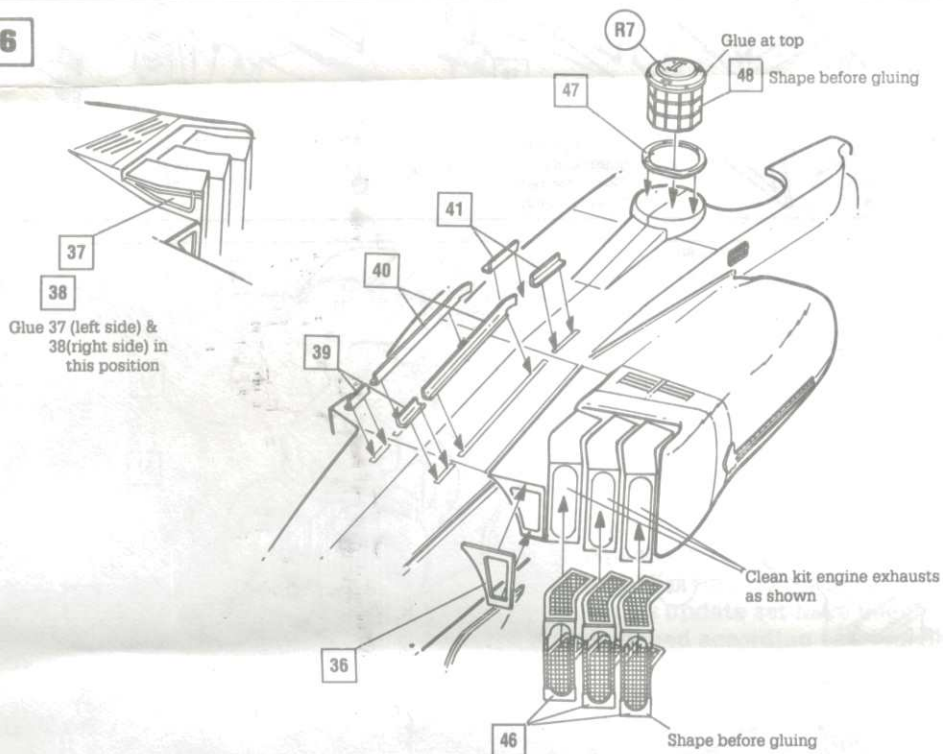
43

44

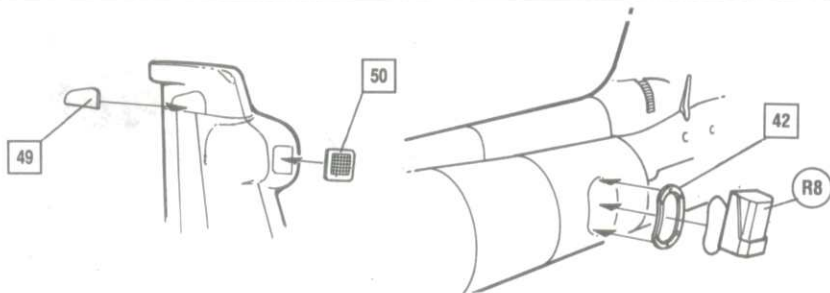
Use pencil
to press opposite
side in
place
through
this side
hatch opening**IMPORTANT**

Shape part 43 first. Align hatch opening from part 43 with hatch opening in fuselage. Glue to one side first (i.e. right side). Press in place with fingers and glue.

Test fit opposite side and press in place through hatch opening.

5**6**

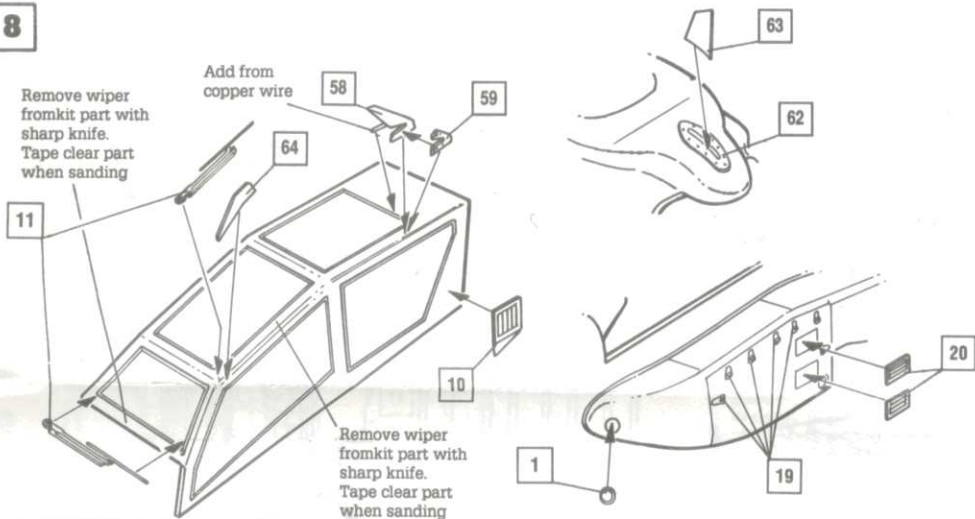
7



8

Remove wiper
fromkit part with
sharp knife.
Tape clear part
when sanding

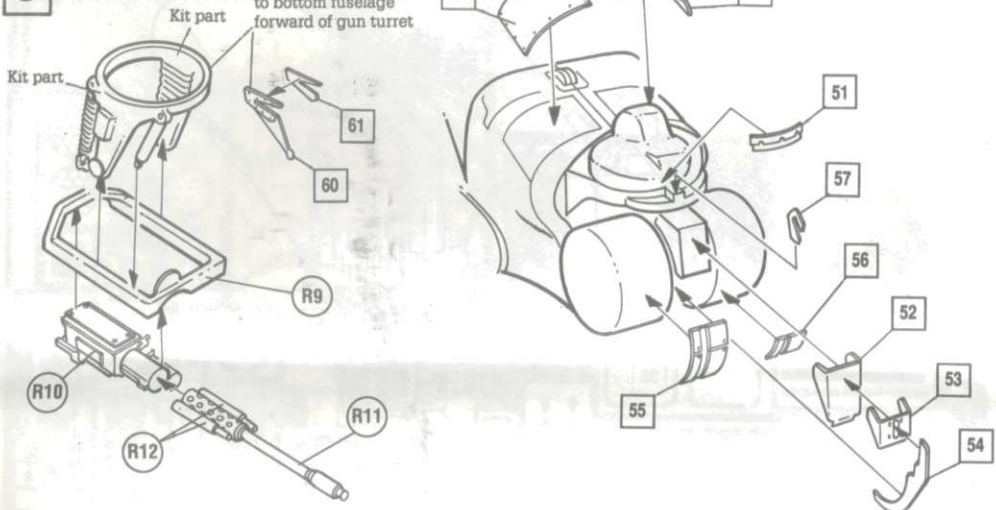
Add from
copper wire

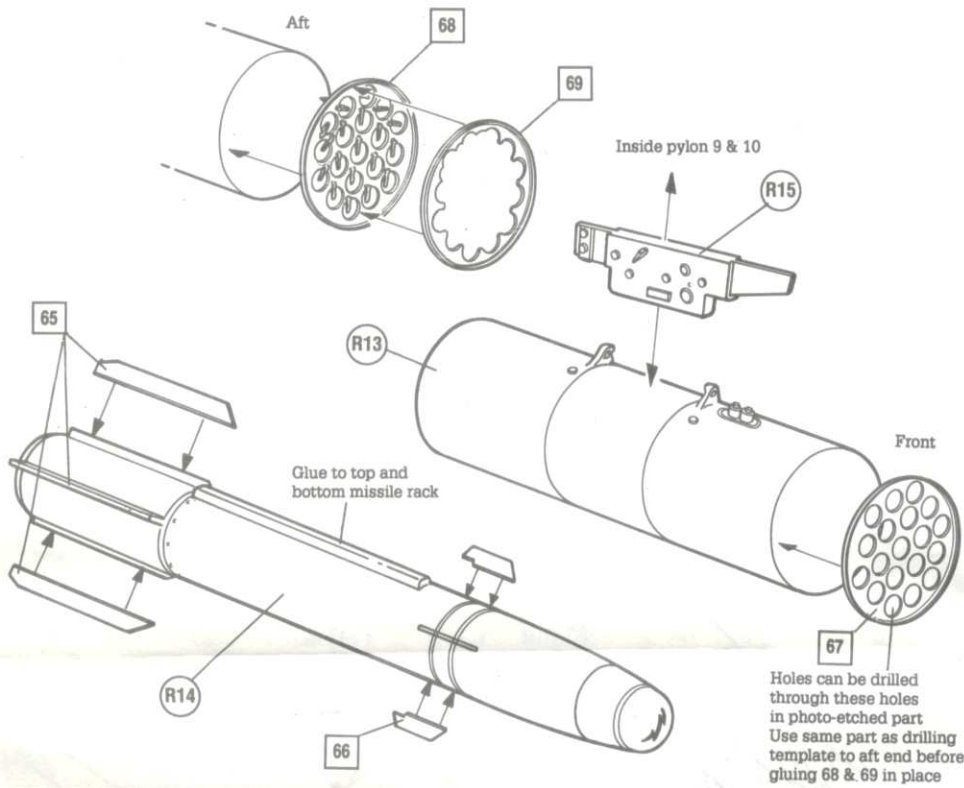


Remove wiper
fromkit part with
sharp knife.
Tape clear part
when sanding

9

Glue 60/61
in this position
to bottom fuselage
forward of gun turret





**RECOMMENDED
REFERENCE MATERIAL
& COLOR GUIDE**

Lock On N° 13 covers the AH-64A Apache in full detail over 36 pages and 88 color photographs. All parts of this update set have been designed according to these photos and much more are included covering the engines, auxiliary equipment bays and cockpit for extra detail and color reference. Purchase a copy at your local hobbyshop.