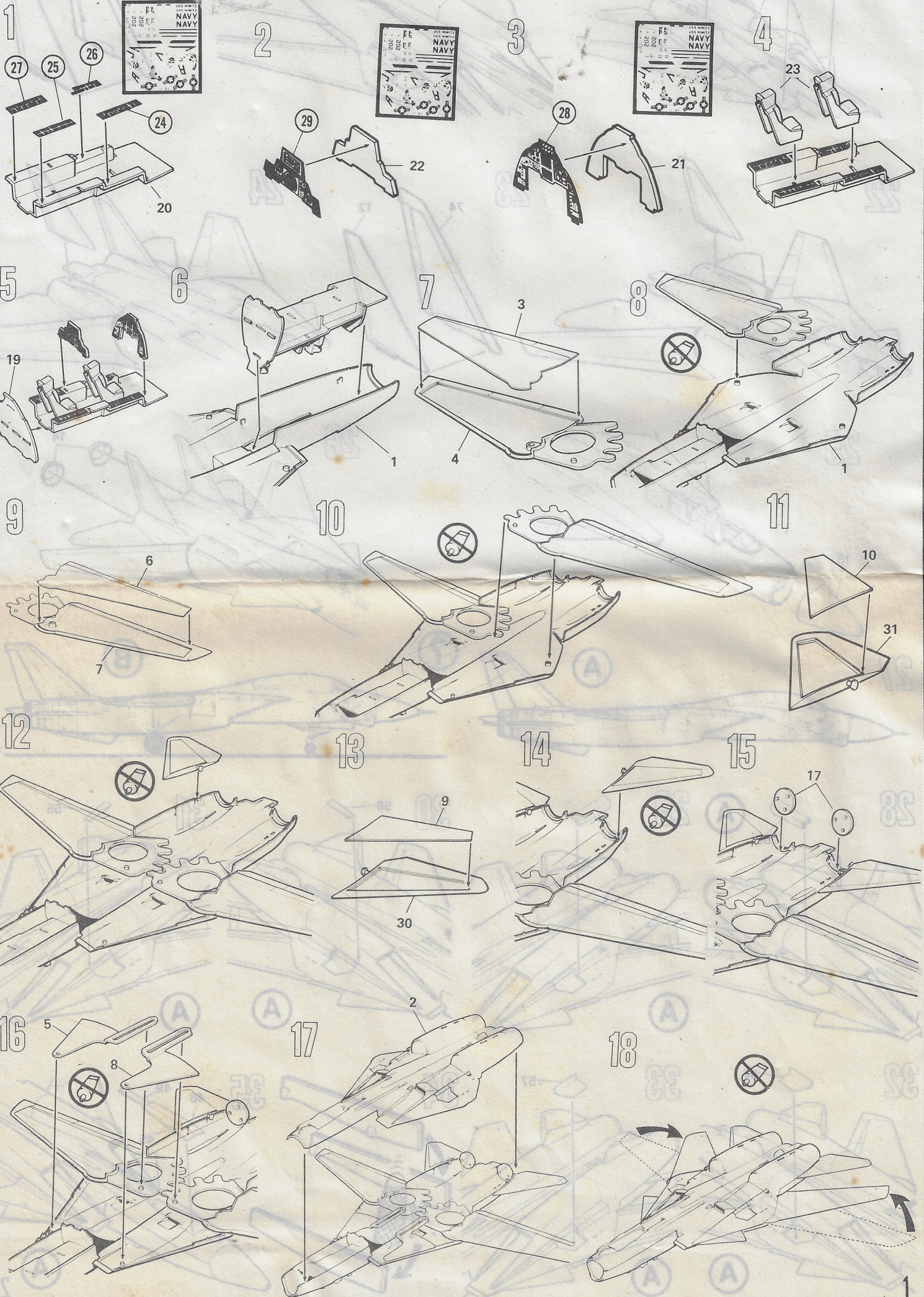


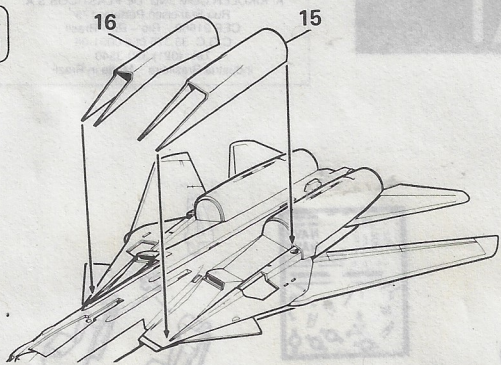
Revell

F-14A "TOMCAT"

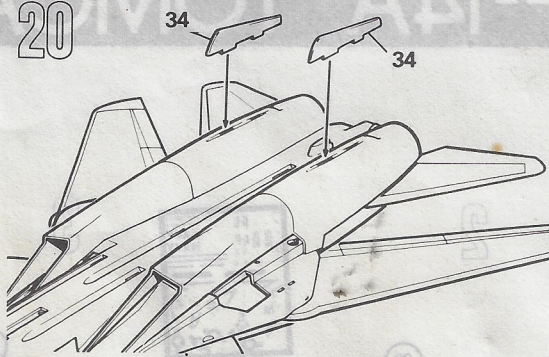
Fabricado e distribuido por
A. KIKOLER COM. IND. DE PLASTICOS S.A.
Rua Francisco Portela, 175
CEP 21660 - Rio - RJ - Brasil
C.G.C. 33.376.666/0001-06
Tel. (021) 390-3540
Industria Brasileira - Made in Brazil



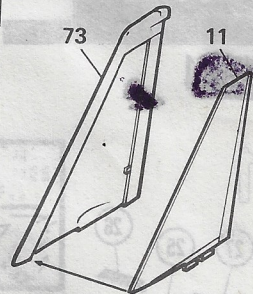
19



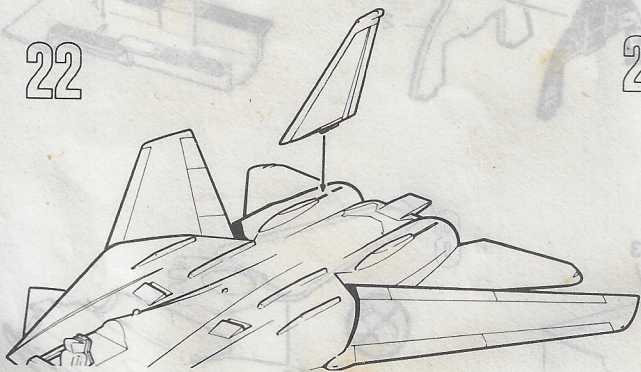
20



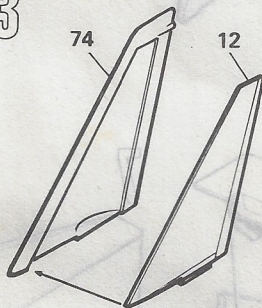
21



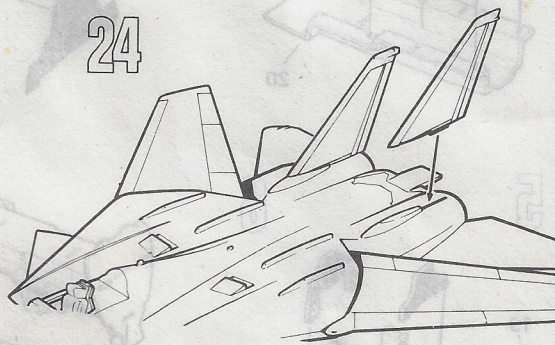
22



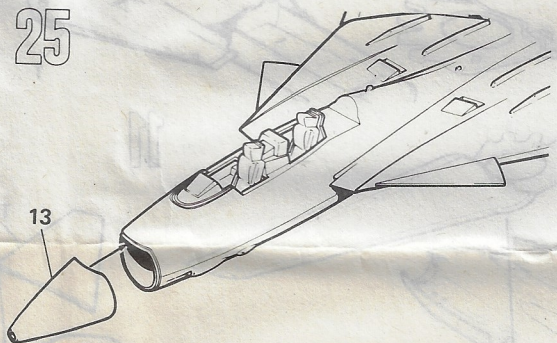
23



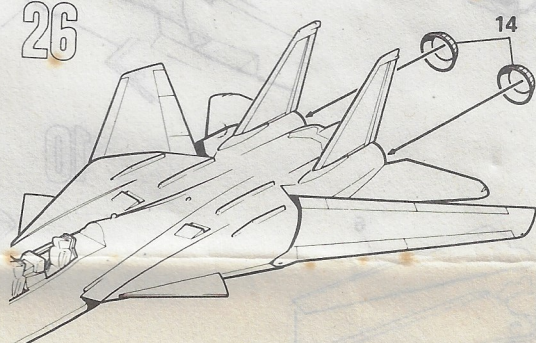
24



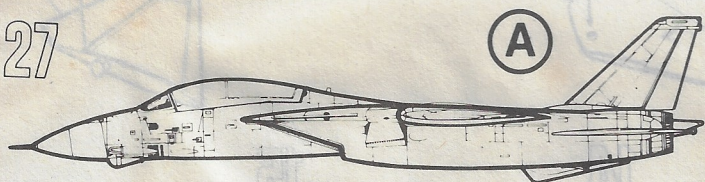
25



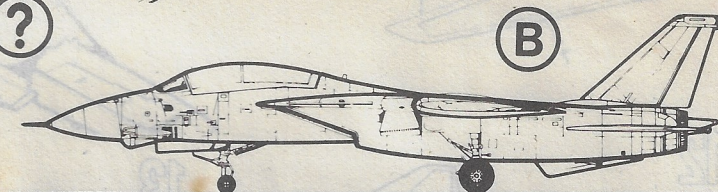
26



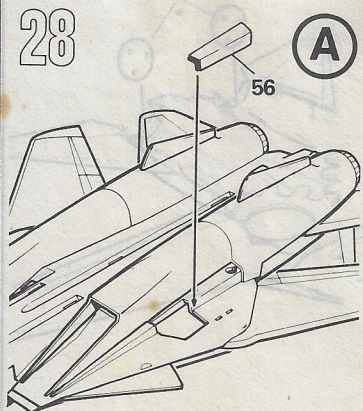
27



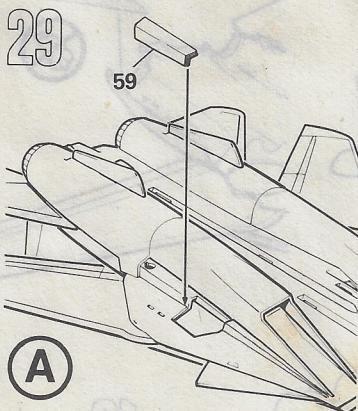
?



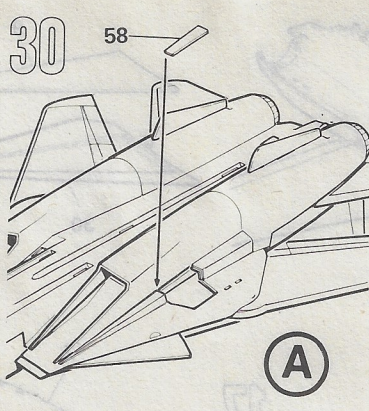
28



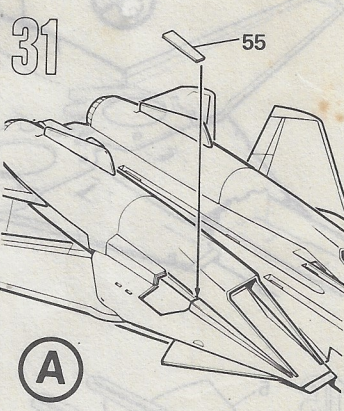
29



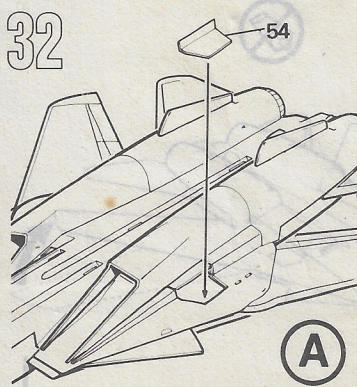
30



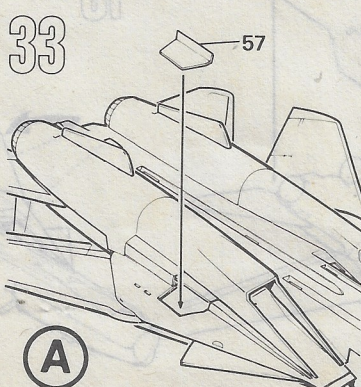
31



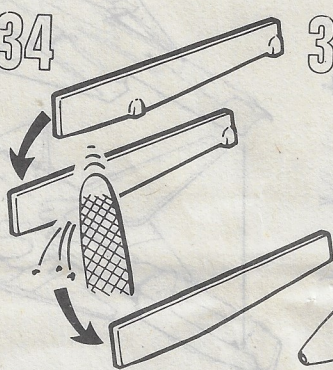
32



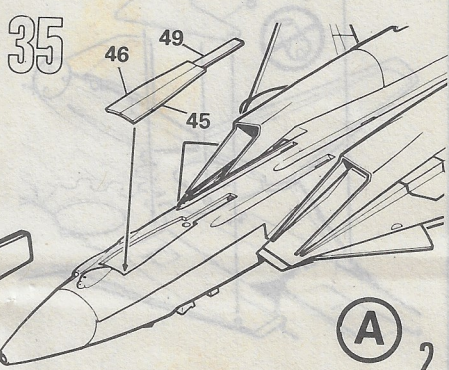
33



34

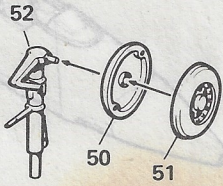


35

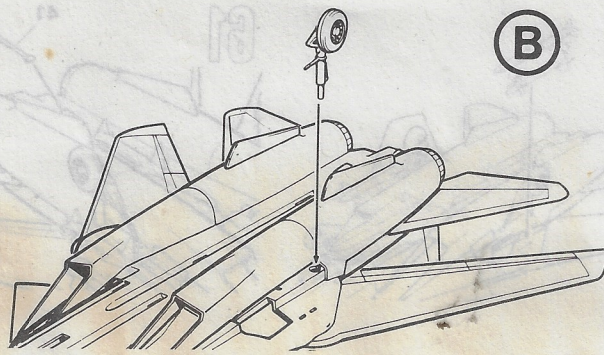


36

(B)



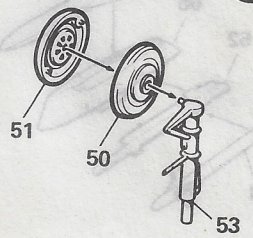
37



(B)

38

(B)



39

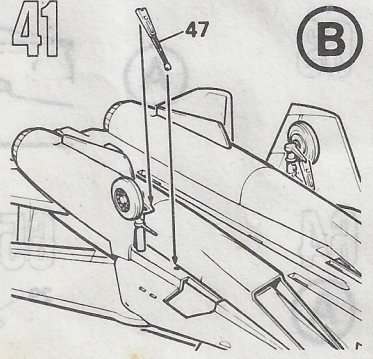
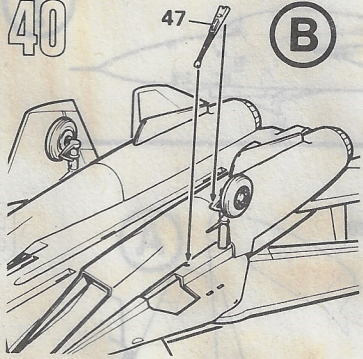
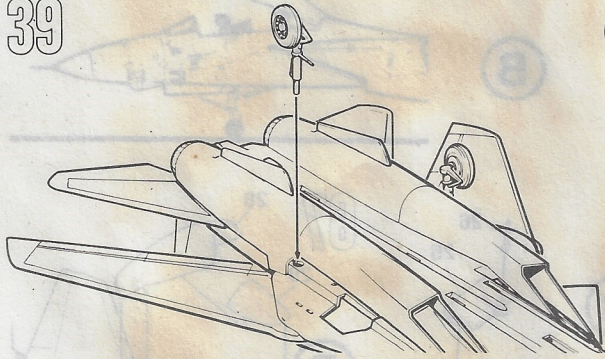
(B)

40

(B)

41

(B)

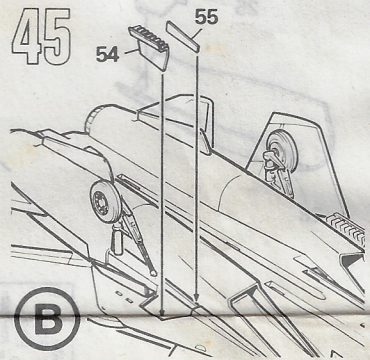
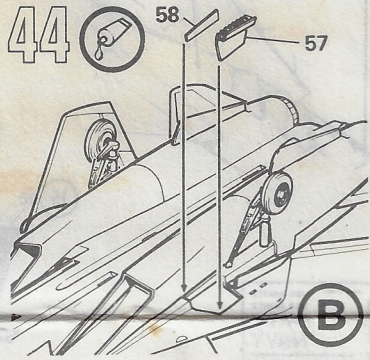
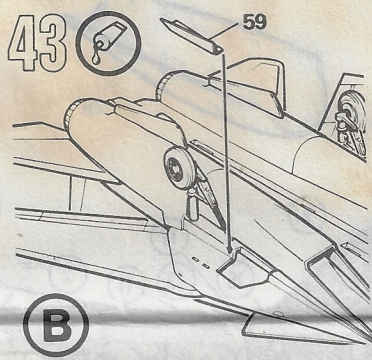
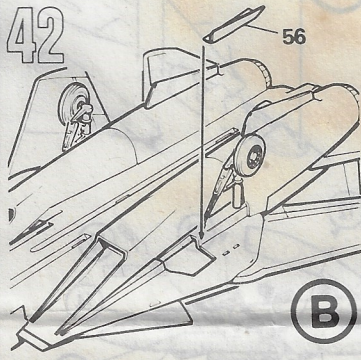


42

43

44

45



(B)

(B)

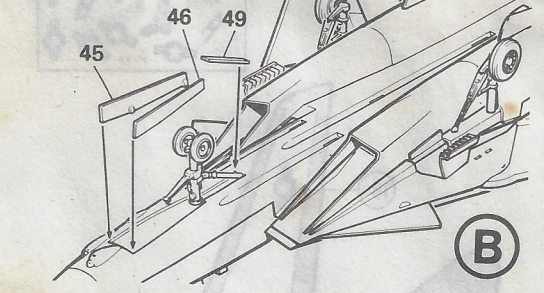
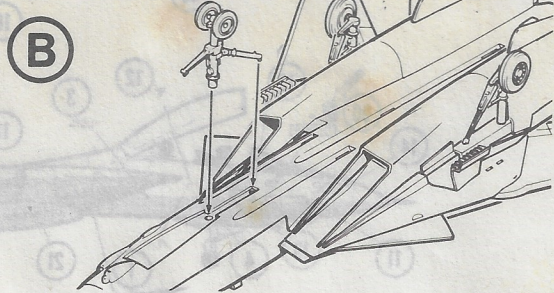
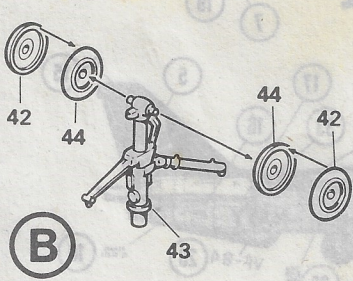
(B)

(B)

46

47

48



(B)

(B)

(B)

49

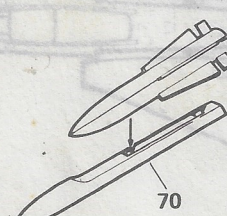
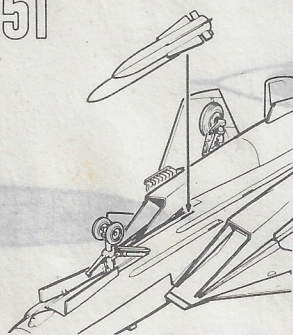
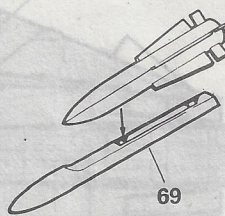
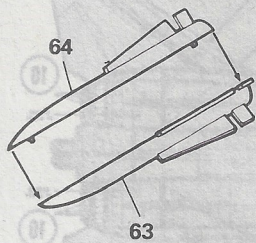
(2X)

50

51

52

53



54

(3X)

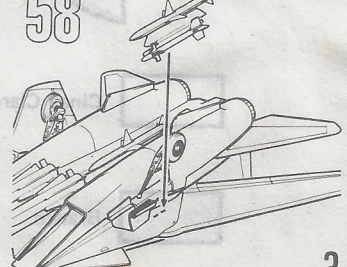
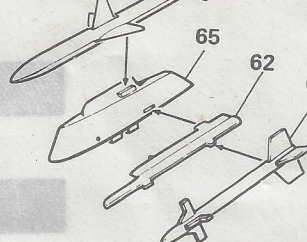
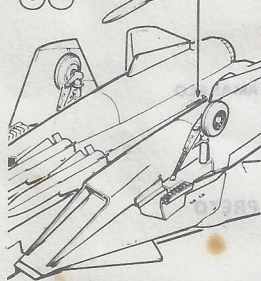
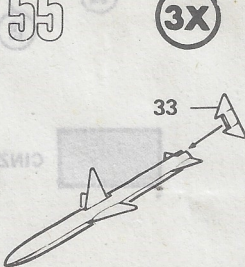
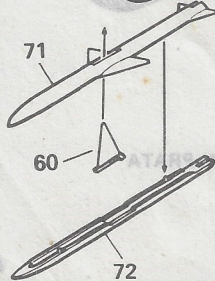
55

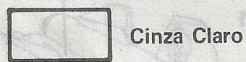
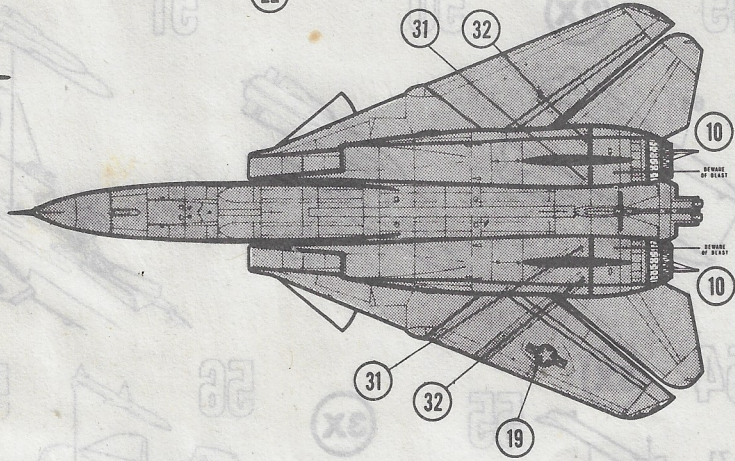
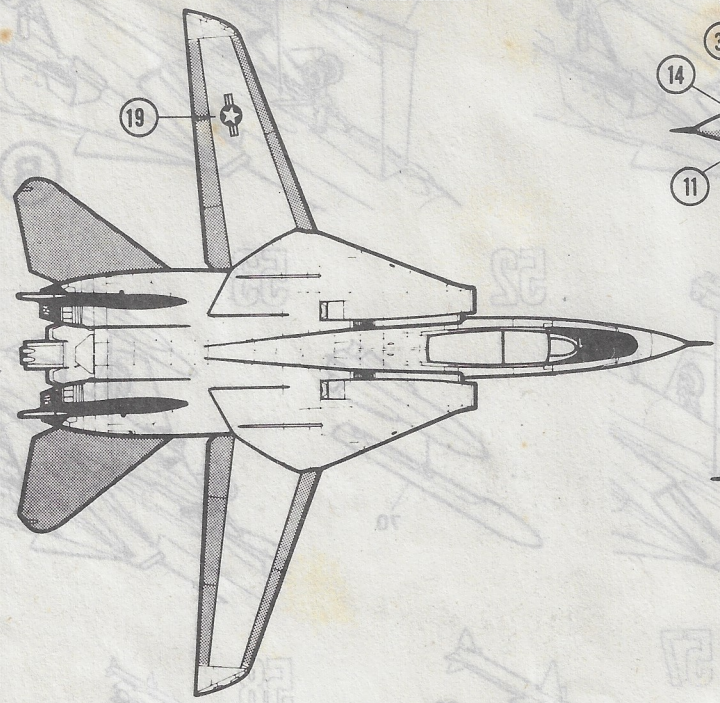
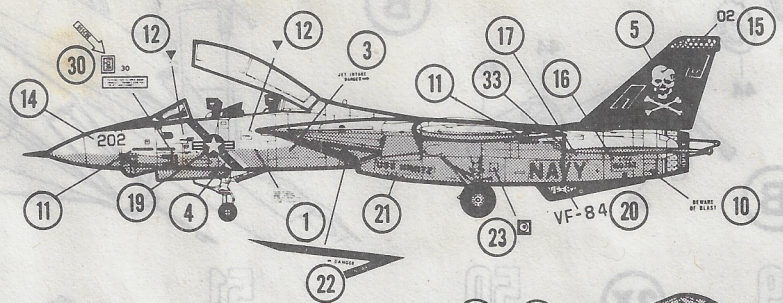
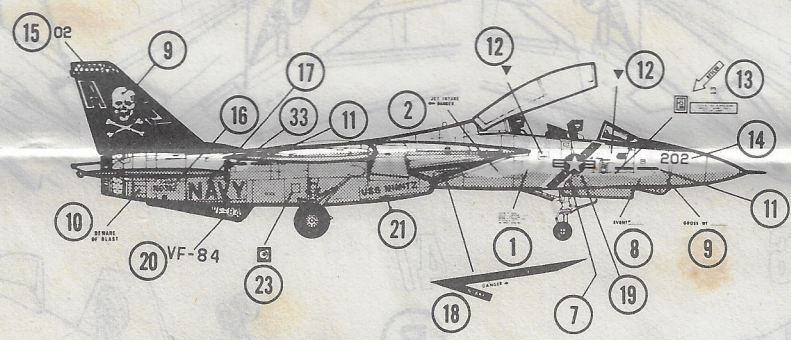
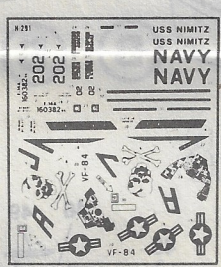
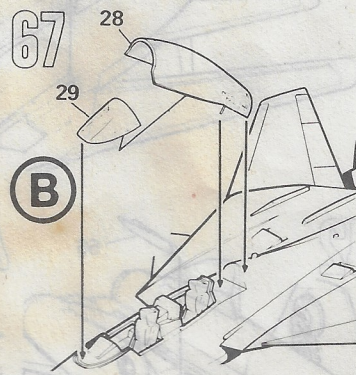
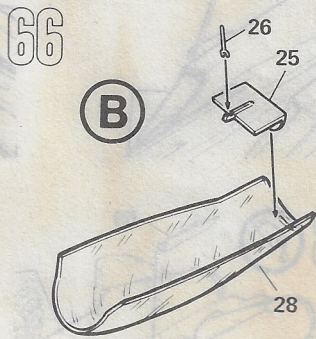
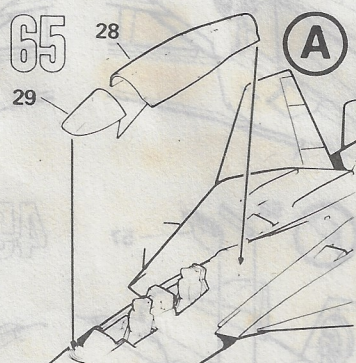
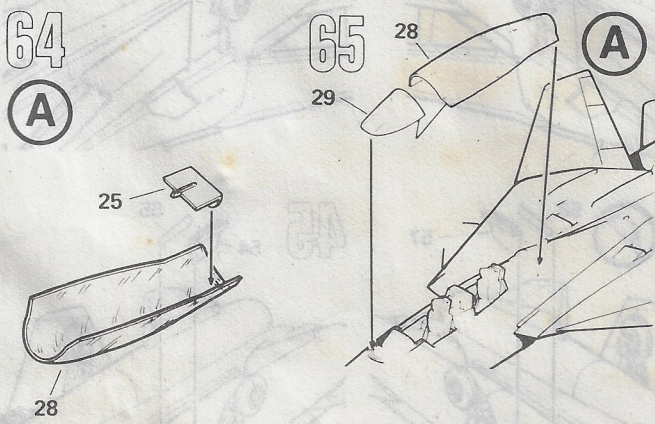
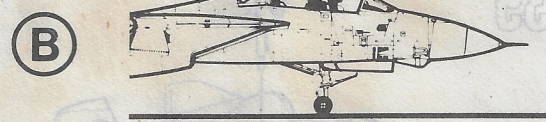
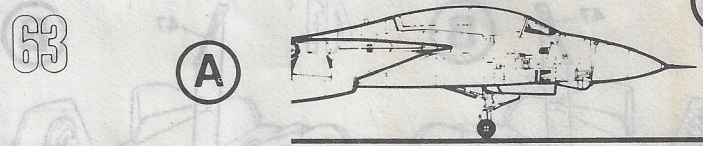
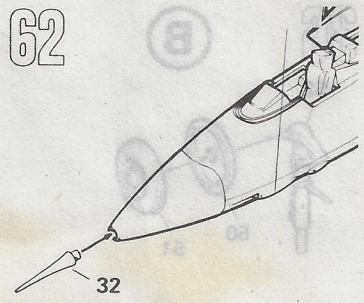
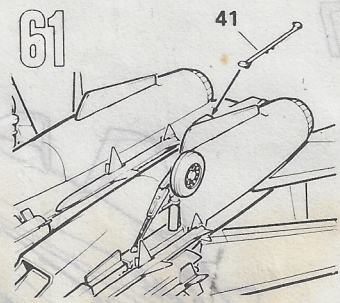
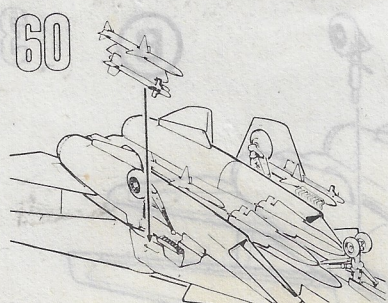
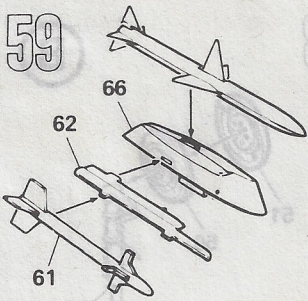
(3X)

56

57

58





F-14A
160382⁹⁵

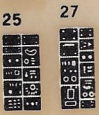
BEWARE
OF BLAST
BEWARE
OF BLAST

GROSS WT. _____

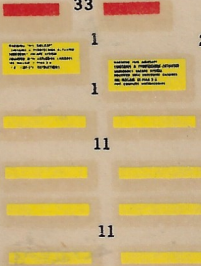
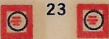
202 202

JET INTAKE DANGER

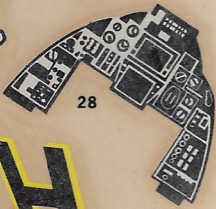
F-14A
160382⁹⁵



02 02



USS NIMITZ
USS NIMITZ
NAVY
NAVY



1. PUSH BUTTON TO OPEN DOOR
2. SQUEEZE TRIGGER AND PULL TO RETRACT CANOPY

13
RELOC

RELOC



VF-84



VF-84



EVENT

1. PUSH BUTTON TO OPEN DOOR
2. SQUEEZE TRIGGER AND PULL TO RETRACT CANOPY