



# TBM-3 Avenger Torpedo Bomber

## TBM-3 アヴェンジャー TBM-3 “复仇者”鱼雷攻击机

### PLEASE READ BEFORE OPERATION!

- \* Tools recommended as below: (Not included)  
Adhesives; Paints; Side Cutters; Sharp Edged Pliers; Modeling Knife; Modeling File; Nippers; Drill; Scissors; Sand Paper; Soft Cloth; Cyanoacrylate Glue.
- \* Make sure to read this instruction listed below before assembling.
- \* The kit contains the small parts, they can be dangerous if swallowed by mistake, so keep them away from reach of children.
- \* Cut the all parts off carefully and remove the waste parts into the garbage can.
- \* More caution and care should be needed for cutting and handling the photo etched parts.
- \* Make attention that some parts should be attached the decal when assembled.
- \* During assembling, please tear up and throw away the plastic bags, or may cause the dangerous if wearing over head by children's mistake.
- \* When using the adhesives and paints, please do not use them in the closed room or near the fire, also must be very careful to protect your eyes, face and clothes.
- \* Adult supervised when assembled by children under 14 years old.

### 装配前请仔细阅读:

- \* 推荐使用的模型工具(请自备):  
专用模型胶水, 专用模型油漆, 水口剪刀, 长咀钳, 刀片, 锉刀, 镊子钳, 钻, 剪刀, 软布, 砂纸, 瞬间快干胶等。
- \* 用水口剪刀或刀片小心切下所有塑胶零件和蚀刻片零件, 不要遗失小零件。
- \* 切取蚀刻片时应特别注意防止利边划伤手指。
- \* 用模型锉刀小心锉平所有零件表面的注射浇口。
- \* 用适量的强力快干胶水粘合蚀刻片零件和金属轴, 切忌过量, 否则可能导致可动零件被粘住。
- \* 注意某些零件表面需在装配时同步贴水上贴纸。
- \* 制作时应远离幼儿并将包装袋及时收妥, 谨防小孩玩耍而引起意外。



cyanoacrylate glue  
强力胶



weight  
配重



make hole  
钻孔



cut / remove  
切除



option  
选择



no cement  
不涂胶水



decal  
贴纸



bend  
弯曲



repair  
填补

### The method to apply the decals

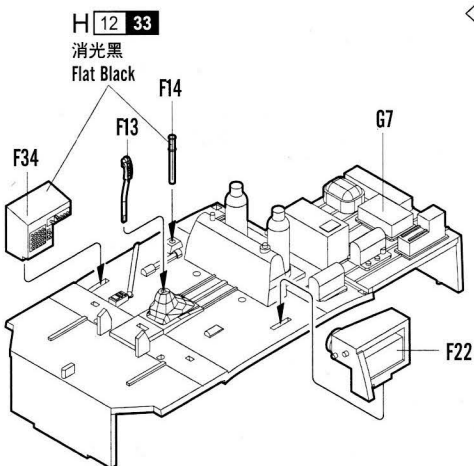
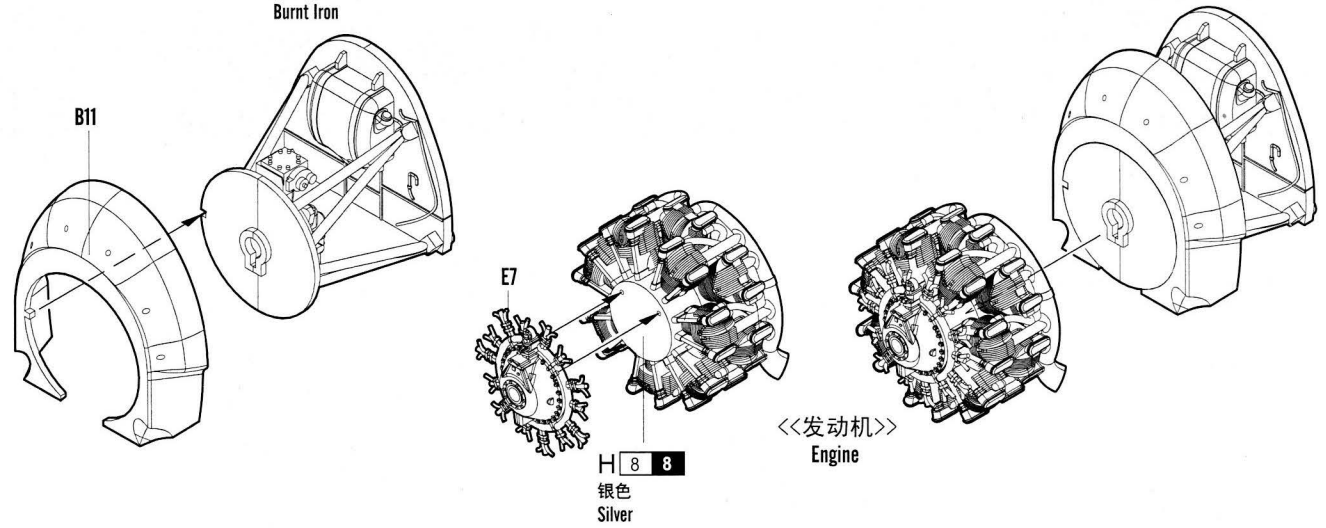
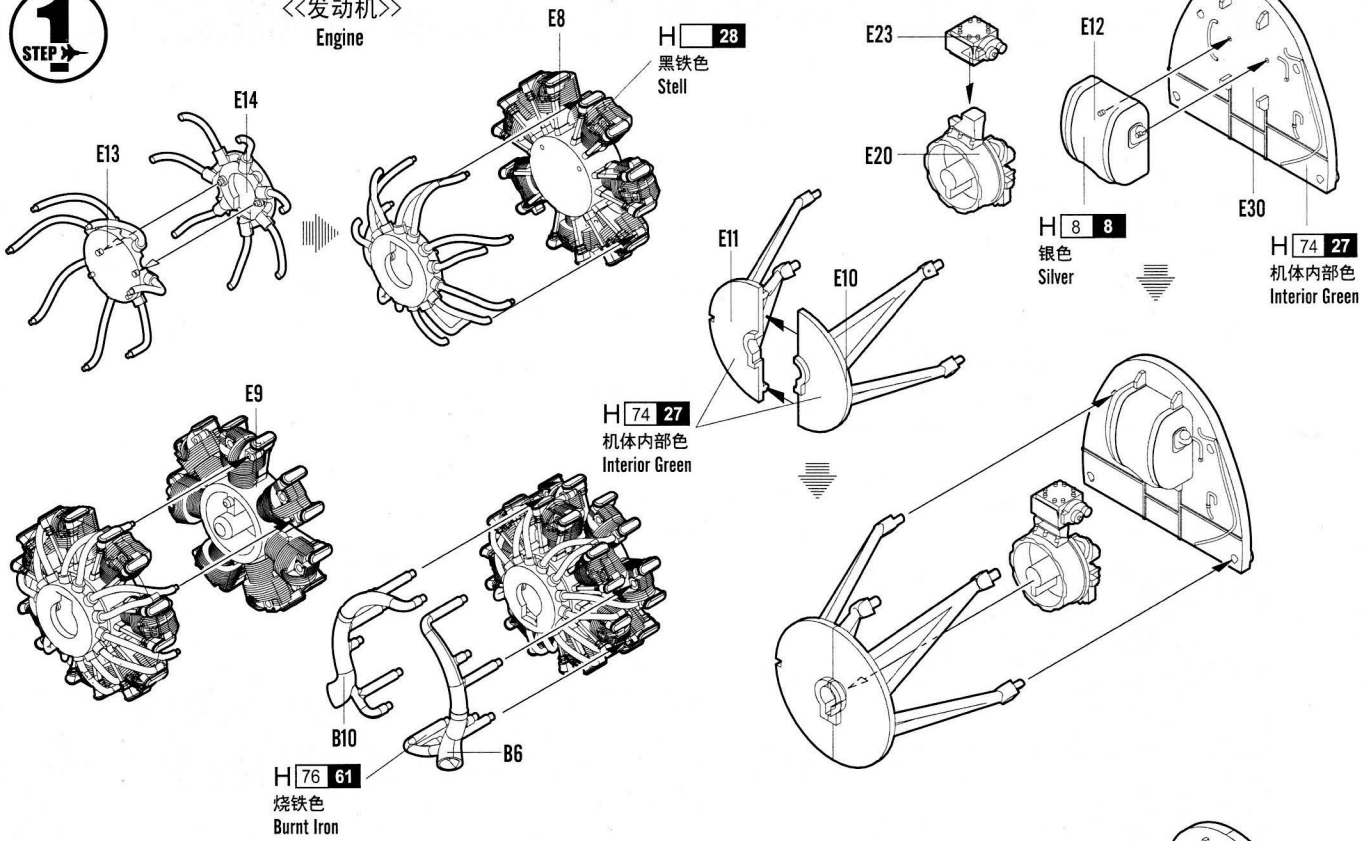
1. Cut off the decal from the decal paper and put it into the warm water 40°C for 10 seconds.
2. Take the decal from the water and put it on a piece of clean cloth.
3. Remove the decal slowly from the paper to the targeted location by a wet finger.
4. Use a piece of dry and soft cloth to press it gently on the decal until it getting dry and no bubble existing.

### 水贴纸的使用方法:

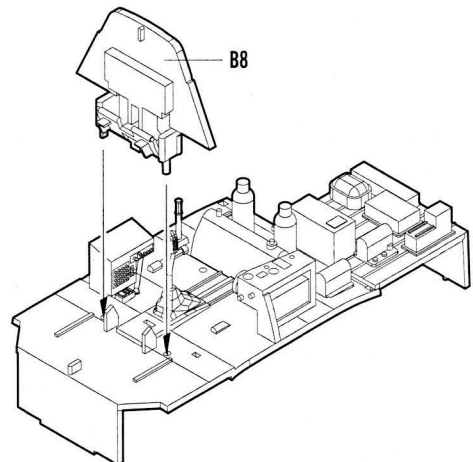
- 一. 把相关的印花从水贴上剪下, 放入40°C左右的温水中浸10秒。
- 二. 然后将印花放在干净的布上。
- 三. 拿上印花纸, 手指蘸水将印花移到适当的位置。
- 四. 用软干布轻压印花直至水干, 气泡消失。

**1**  
STEP

<<发动机>>  
Engine



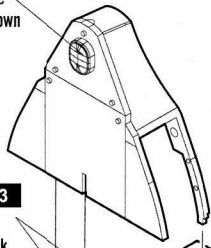
<<座舱>>  
Cockpit



**2**  
STEP

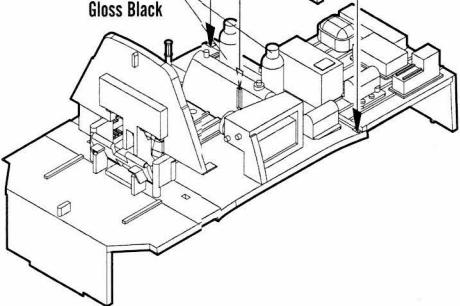
H 47 41

红棕色  
Red Brown

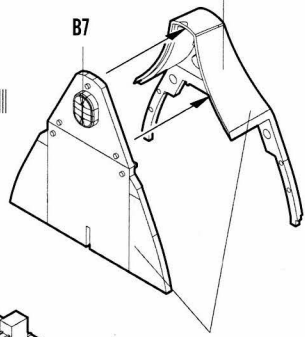


H 3 3

红色  
Gloss Black



G9



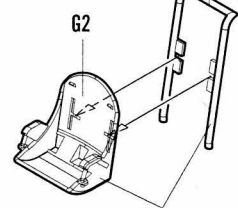
B7

H 340 340

原野绿  
Field Green

<<座舱>>  
Cockpit

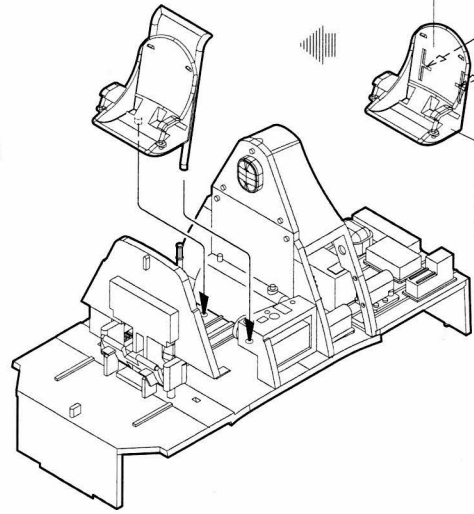
F21



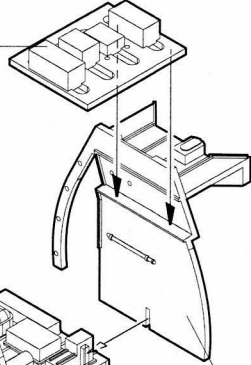
G2

H 340 340

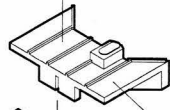
原野绿  
Field Green



B9



F28



H 340 340

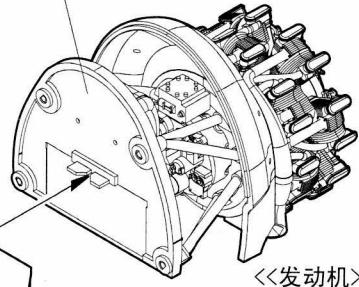
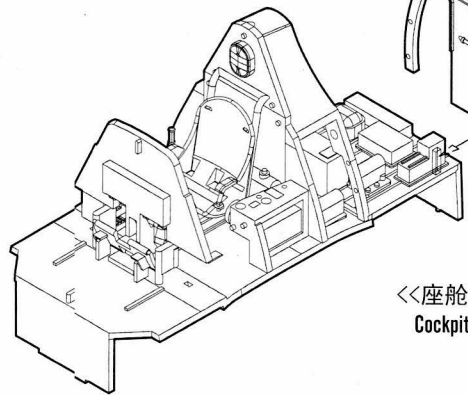
原野绿  
Field Green

G8

H 340 340

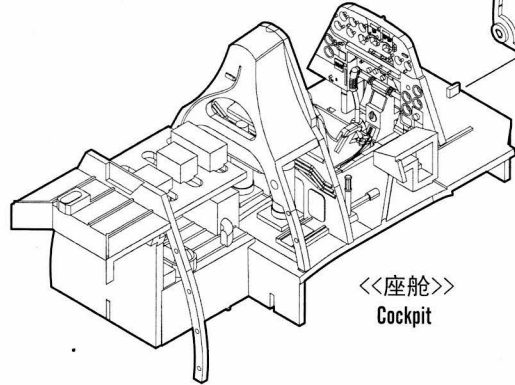
原野绿  
Field Green

<<座舱>>  
Cockpit



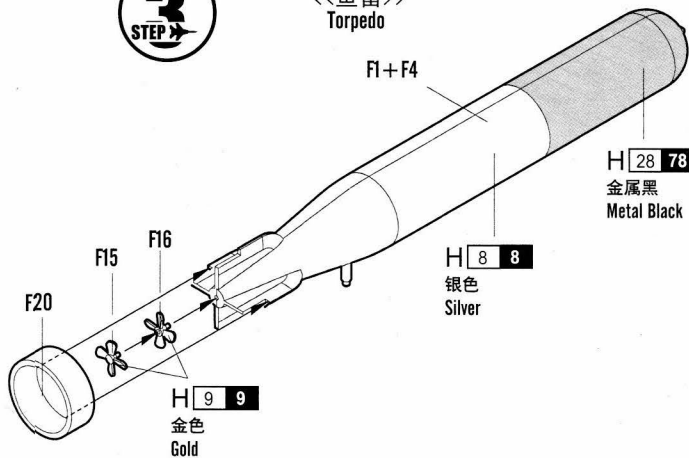
<<发动机>>  
Engine

<<座舱>>  
Cockpit

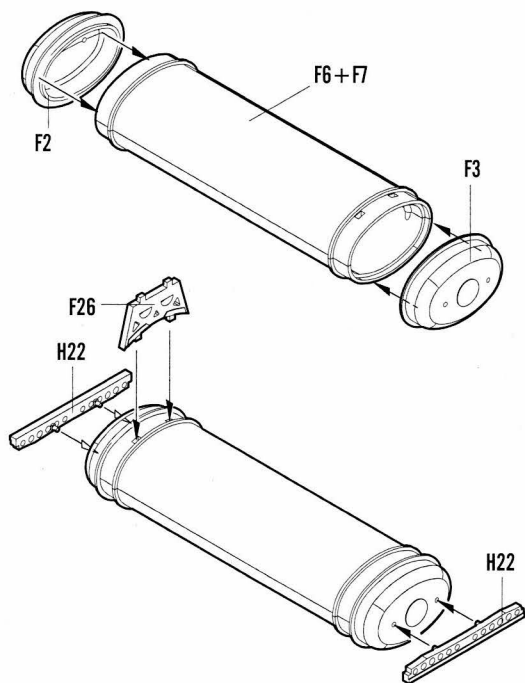


**3**  
STEP

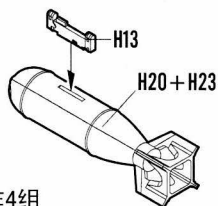
<<鱼雷>>  
Torpedo



<<油箱>>  
Fuel tank

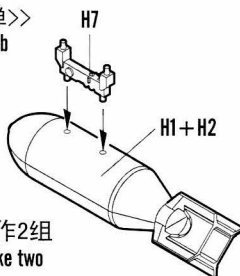


<<lb炸弹>>  
lb Bomb



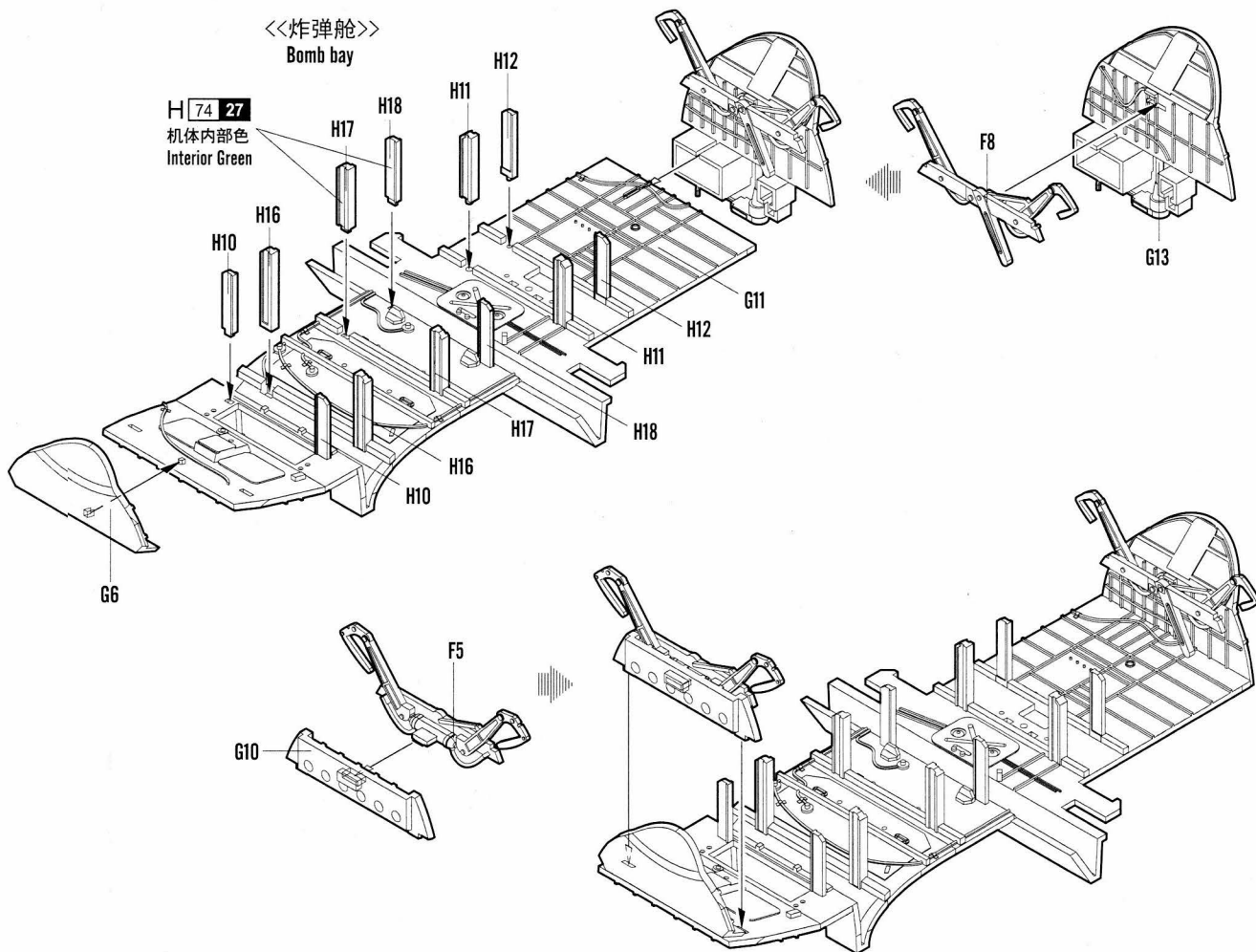
制作4组  
Make four

<<lb炸弹>>  
lb Bomb



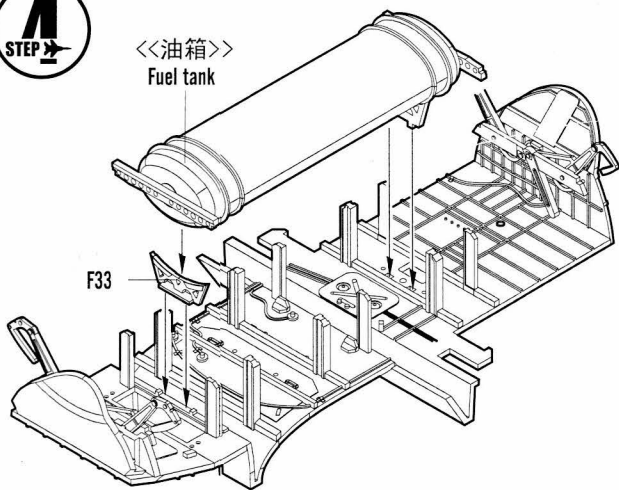
制作2组  
Make two

<<炸弹舱>>  
Bomb bay

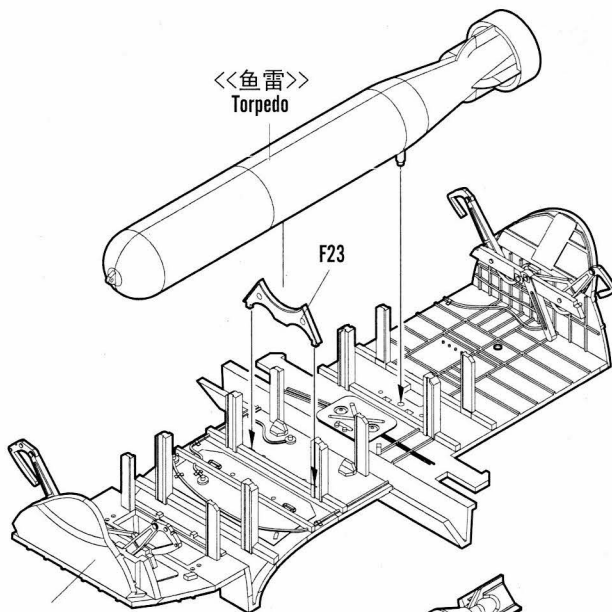




<<油箱>>  
Fuel tank



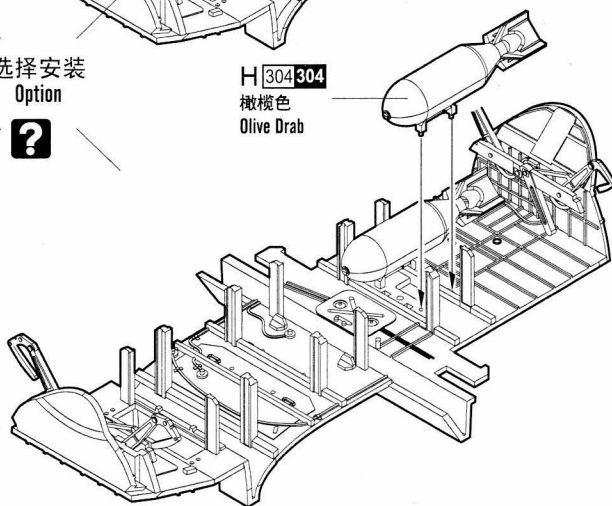
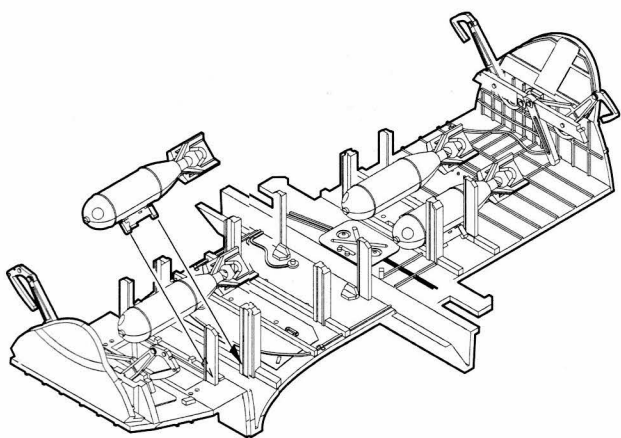
<<鱼雷>>  
Torpedo



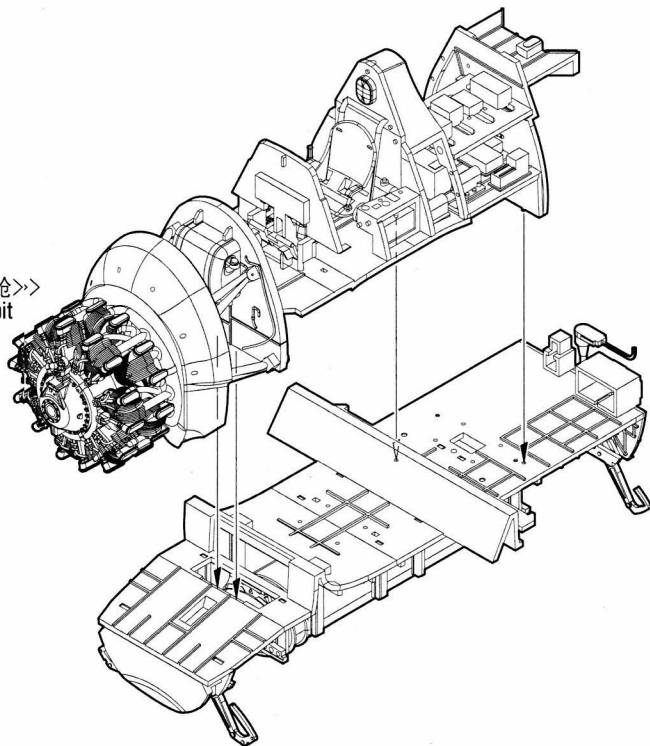
选择安装  
Option

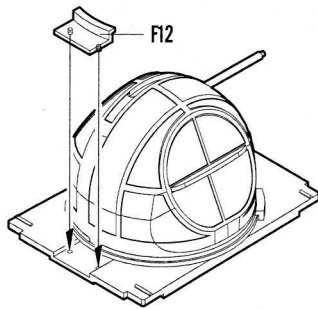
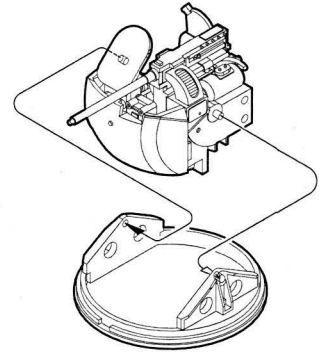
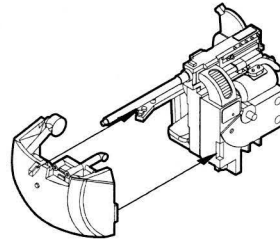
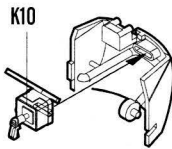
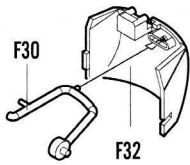
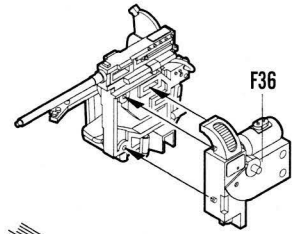
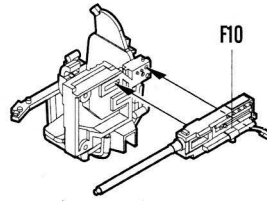
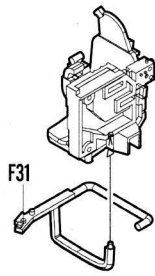
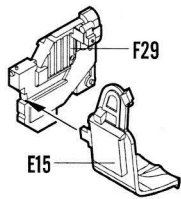


H304304  
橄榄色  
Olive Drab

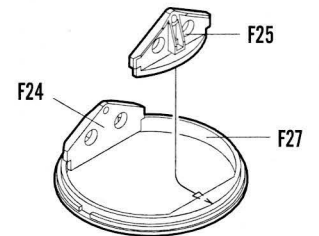
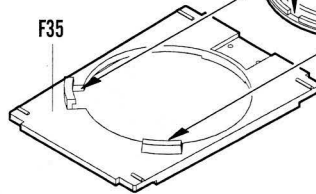
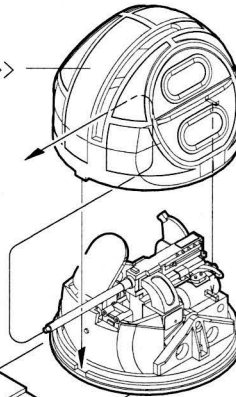


<<座舱>>  
Cockpit

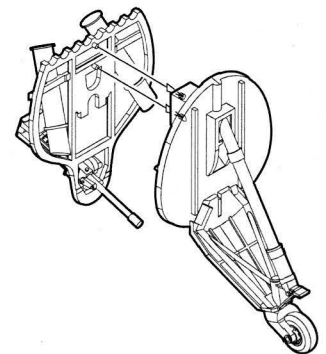
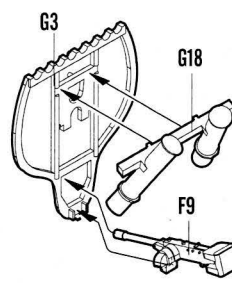
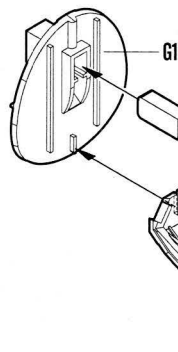
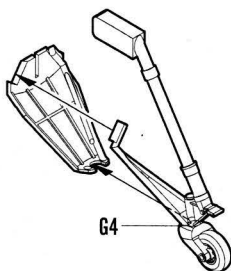
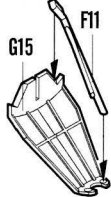




<<球形炮塔>>  
Turret

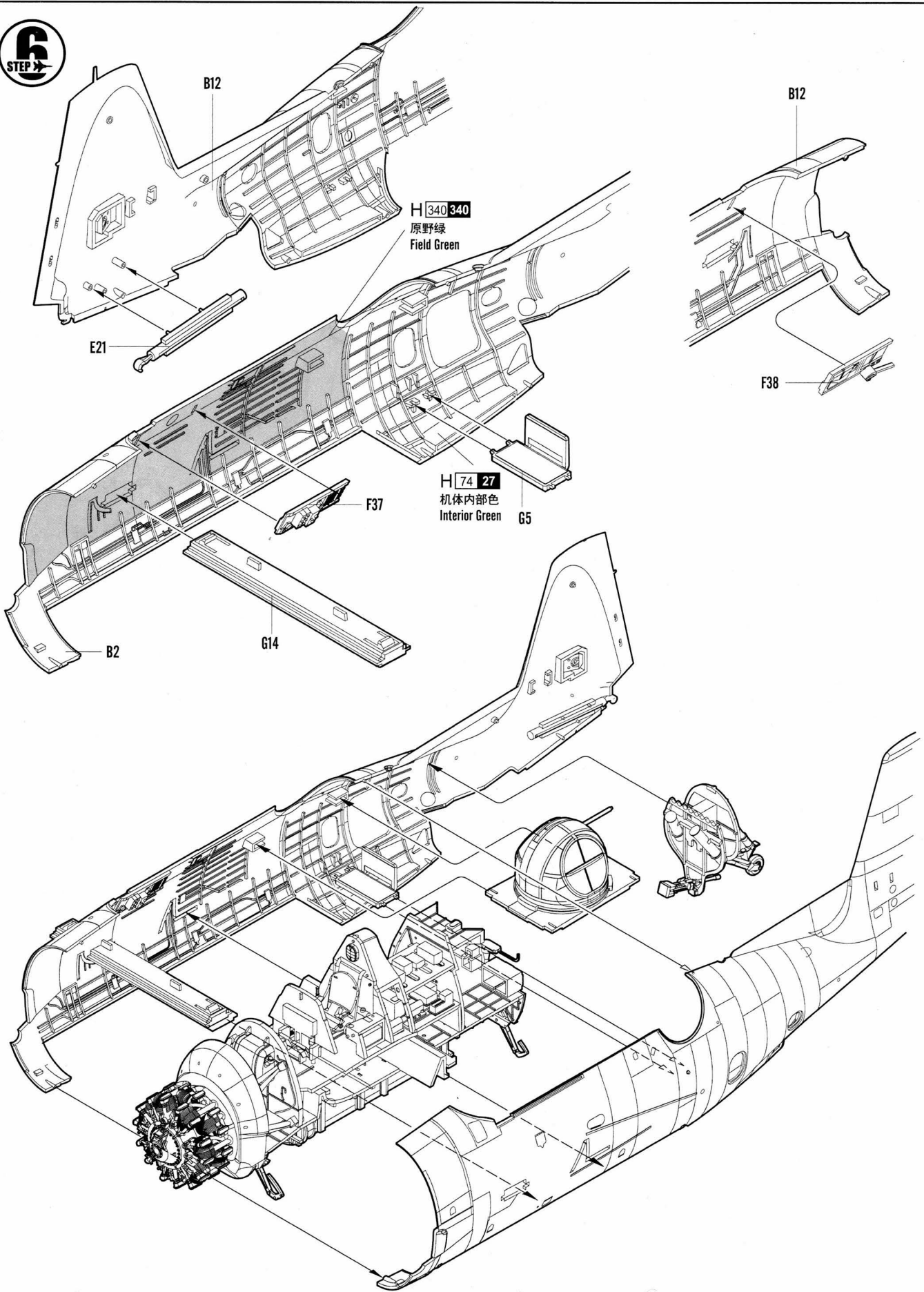


<<尾轮>>  
Tail gear

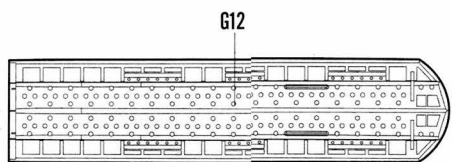
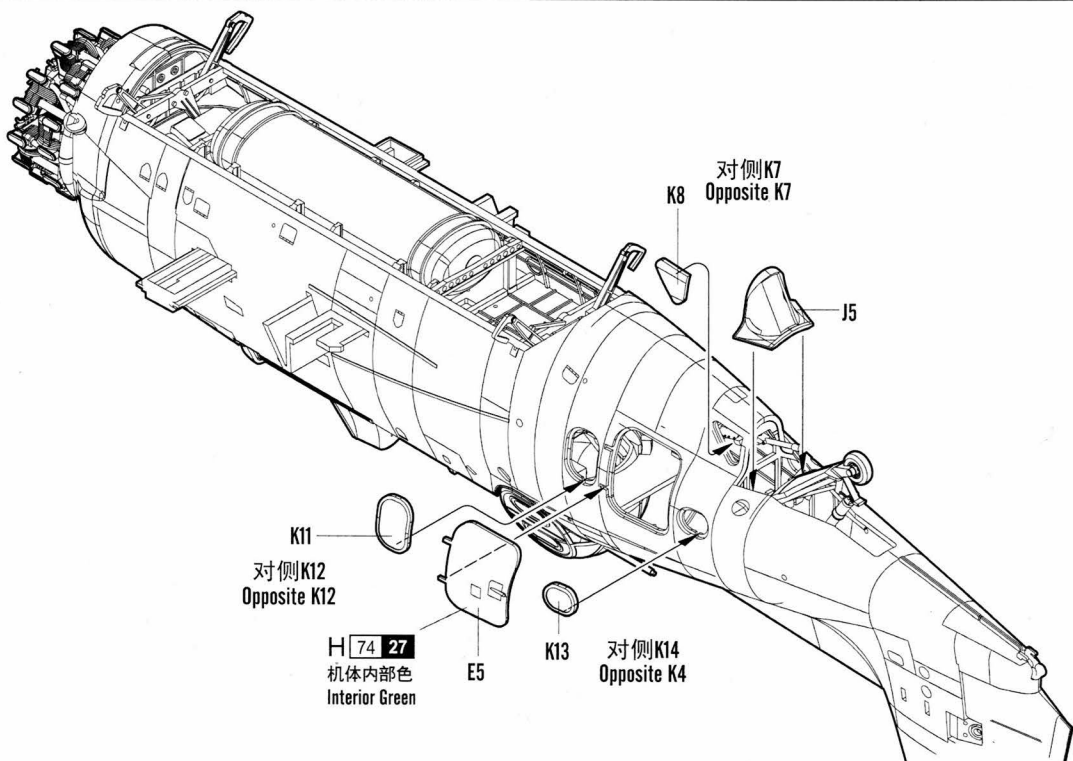




**6**  
STEP

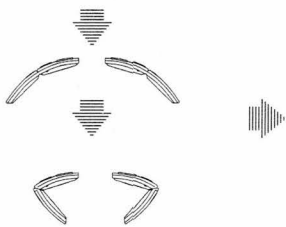


**7**  
STEP 7

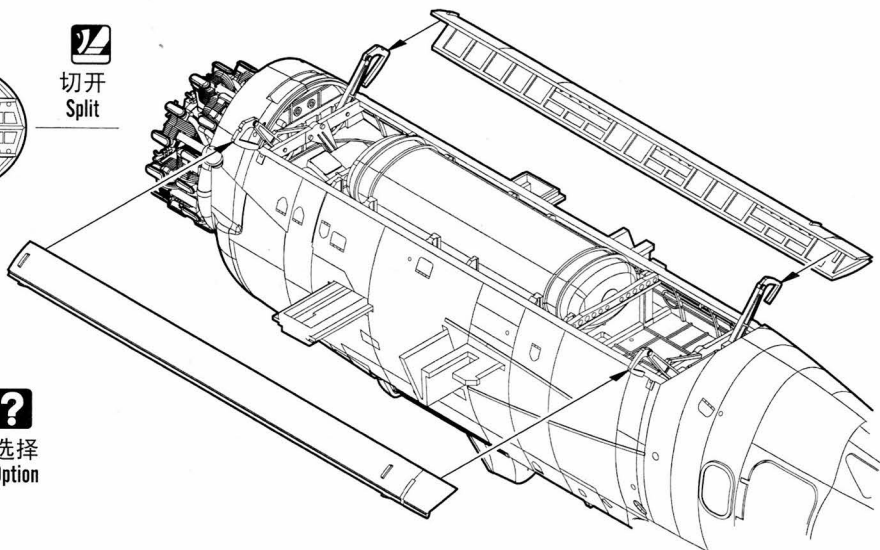


 切开  
Split

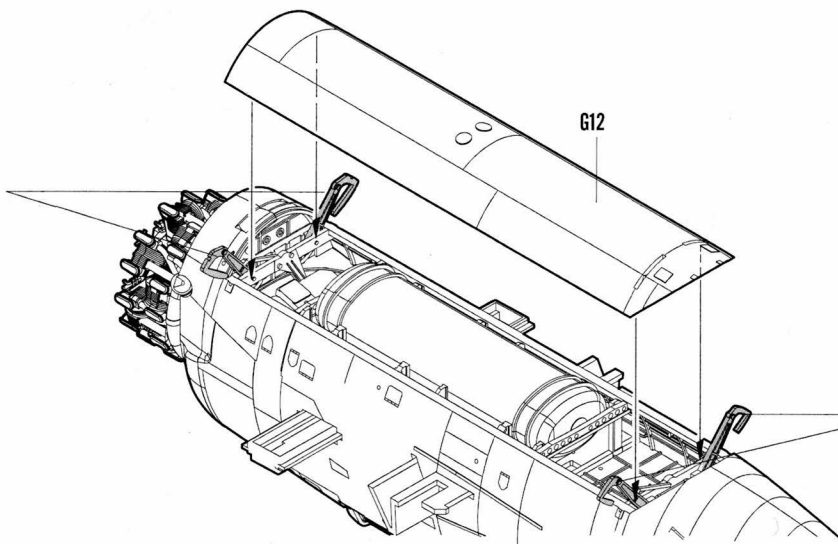
 折弯  
Bend



 选择  
Option



 切除  
Remove

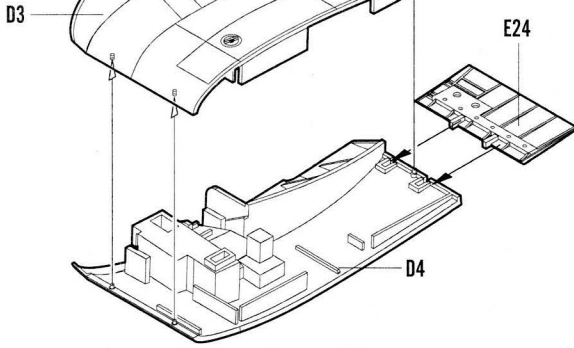


 切除  
Remove

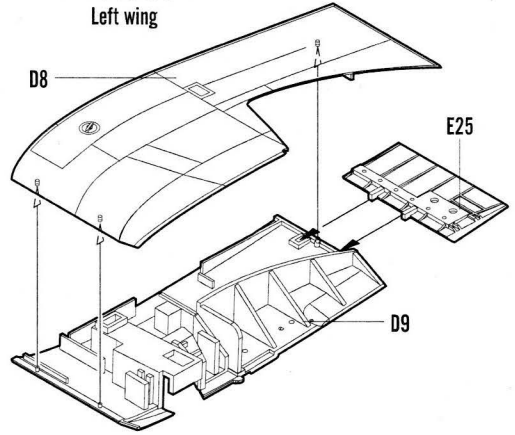




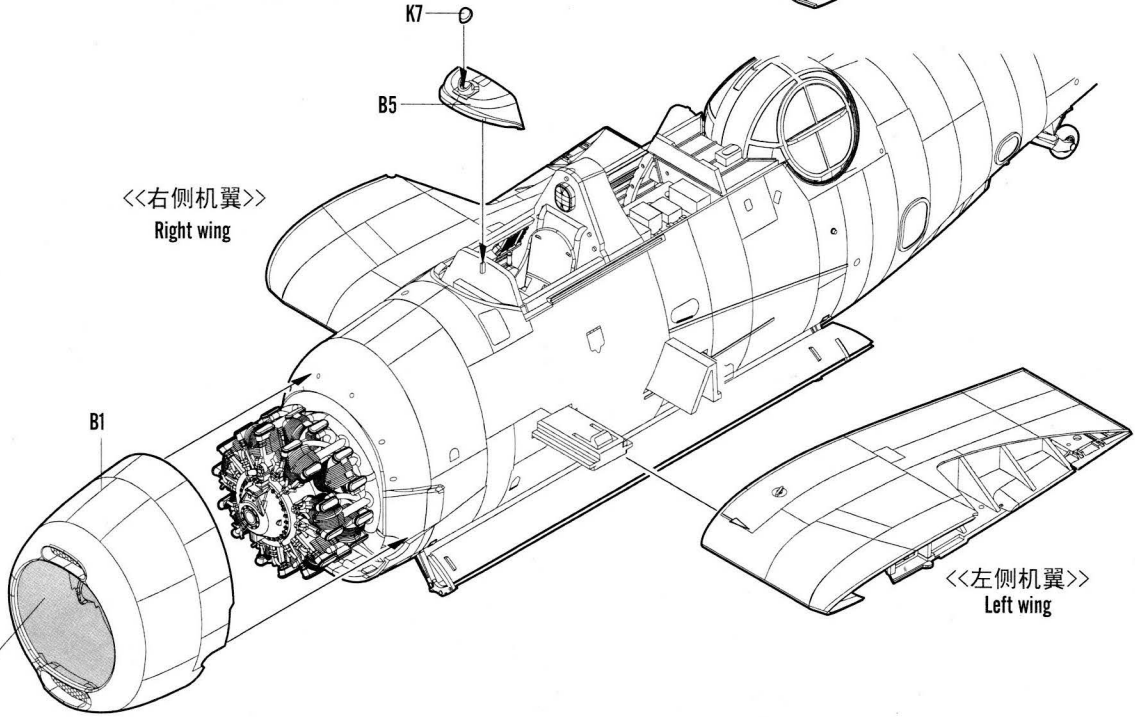
<<右侧机翼>>  
Right wing



<<左侧机翼>>  
Left wing



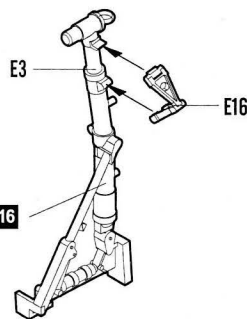
<<右侧机翼>>  
Right wing



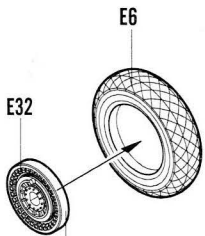
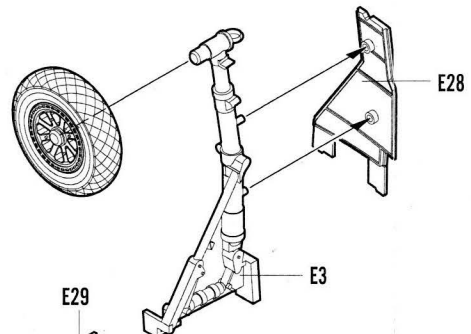
<<左侧机翼>>  
Left wing

H 316 316  
白色  
White

<<右侧主起落架>>  
Right main undercarriage



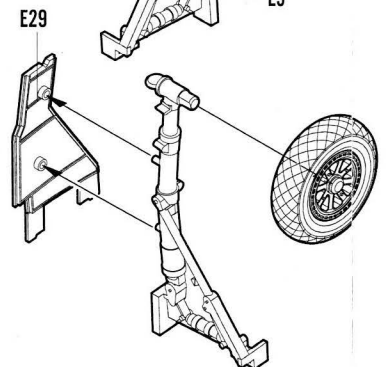
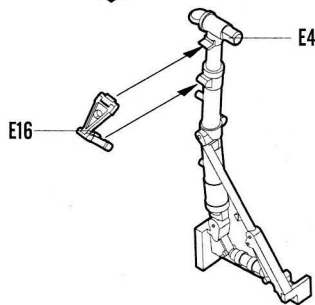
H 316 316  
白色  
White



H 316 316  
白色  
White

制作2组  
Make two

<<左侧主起落架>>  
Left main undercarriage





<<左侧主起落架>>  
Left main undercarriage

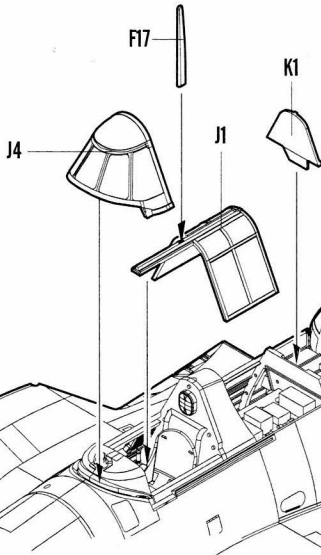
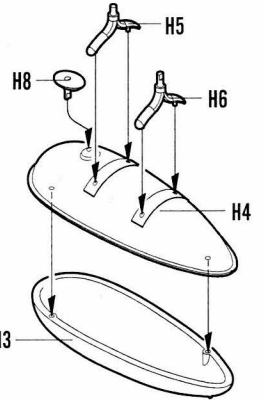
<<右侧主起落架>>  
Right main undercarriage

G16  
对侧G17  
Opposite G17

对侧相同  
Both sides

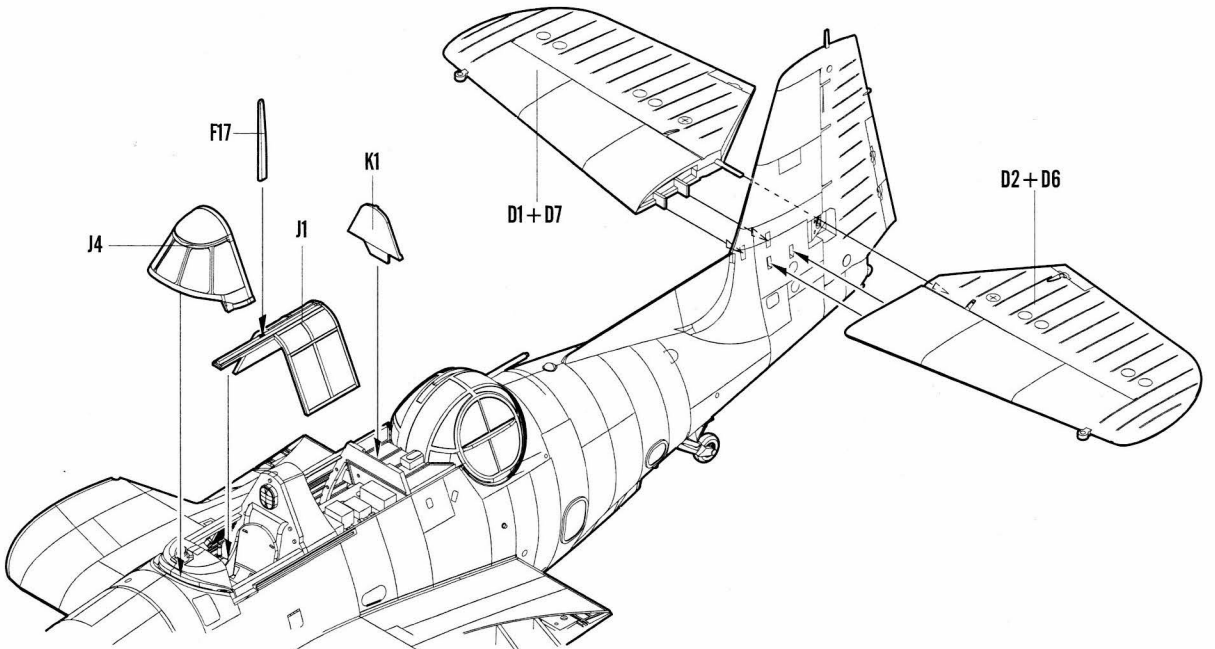
制作2组  
Make two

B4  
对侧相同  
Both sides



D1 + D7

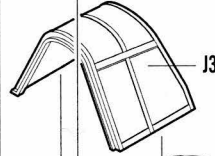
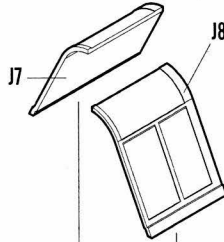
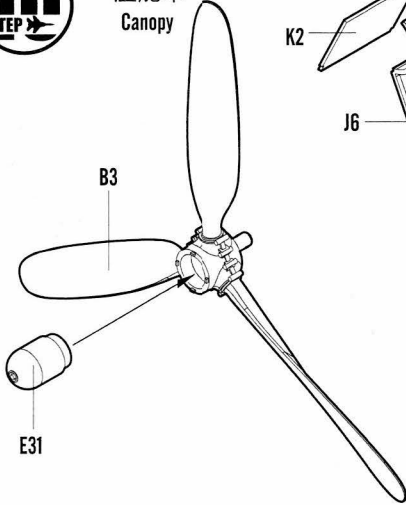
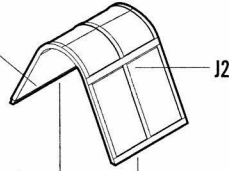
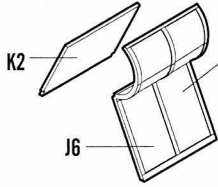
D2 + D6



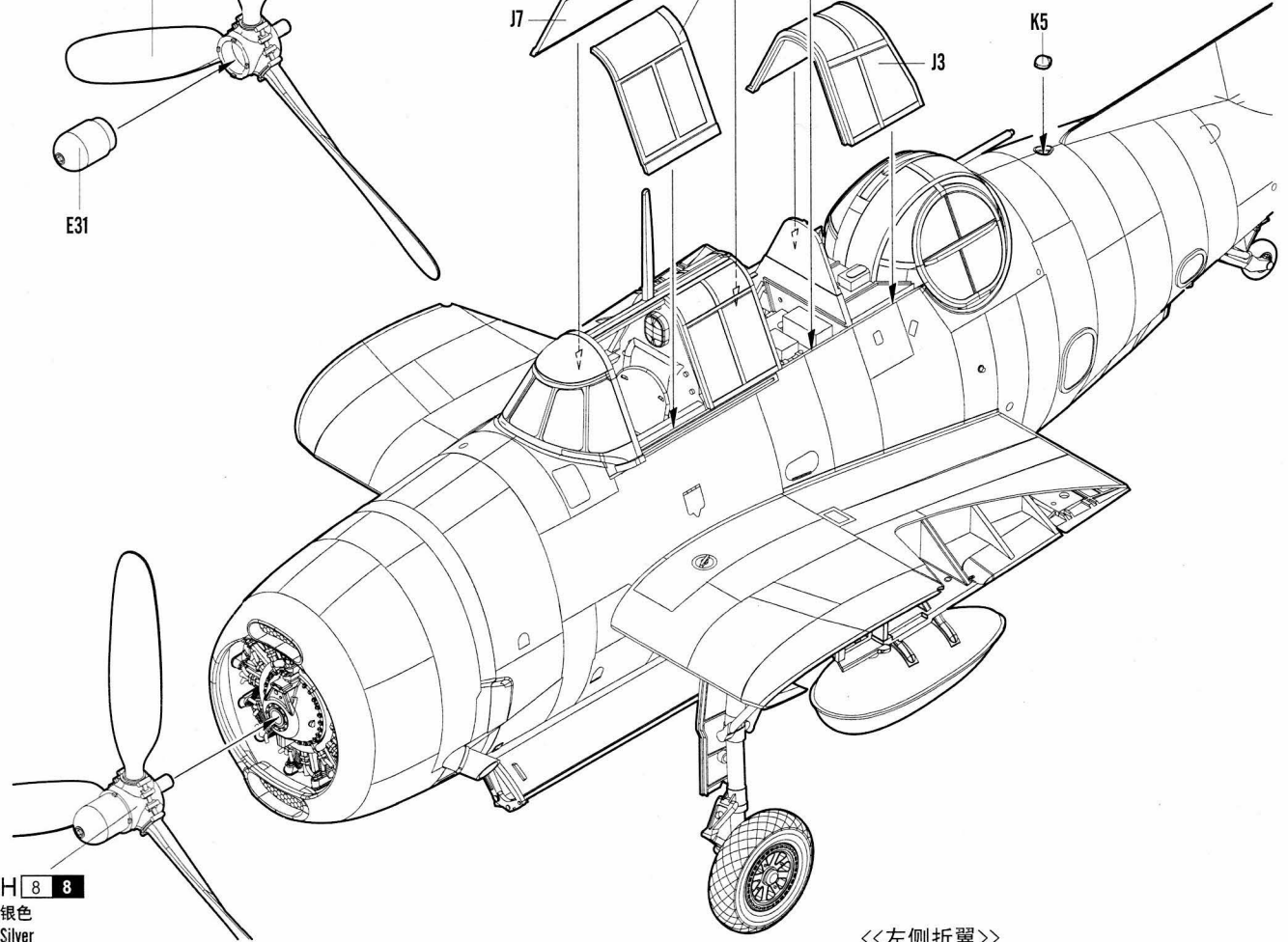
10  
STEP

座舱罩  
Canopy

?  
选择  
Option

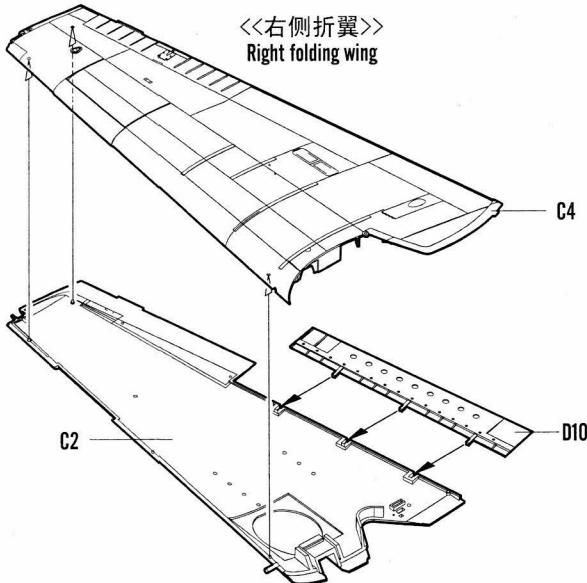


K5

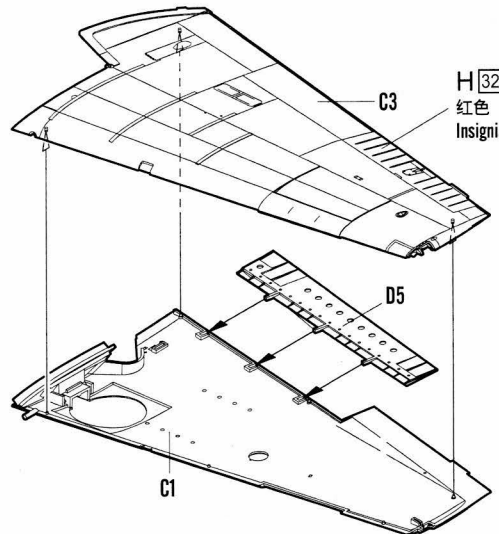


H 8 8  
银色  
Silver

<<右侧折翼>>  
Right folding wing

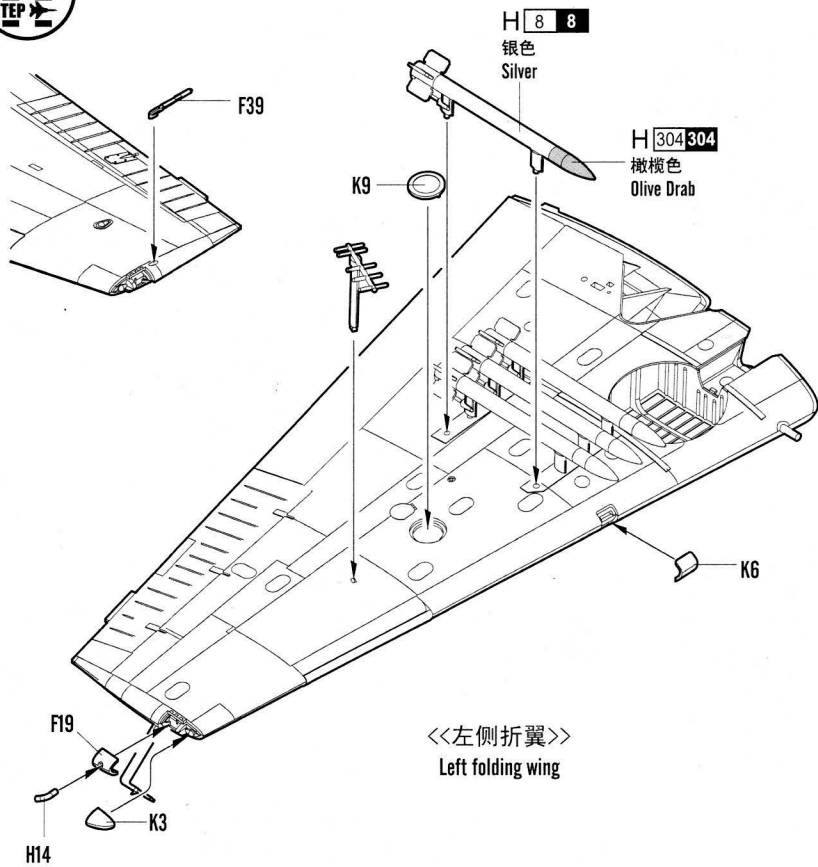


<<左侧折翼>>  
Left folding wing

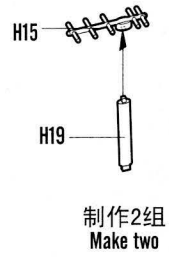


H 327 327  
红色  
Insignia Red

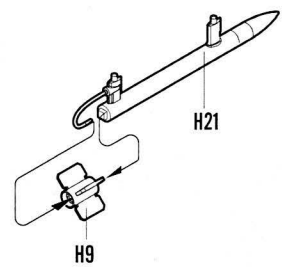
**11**  
STEP



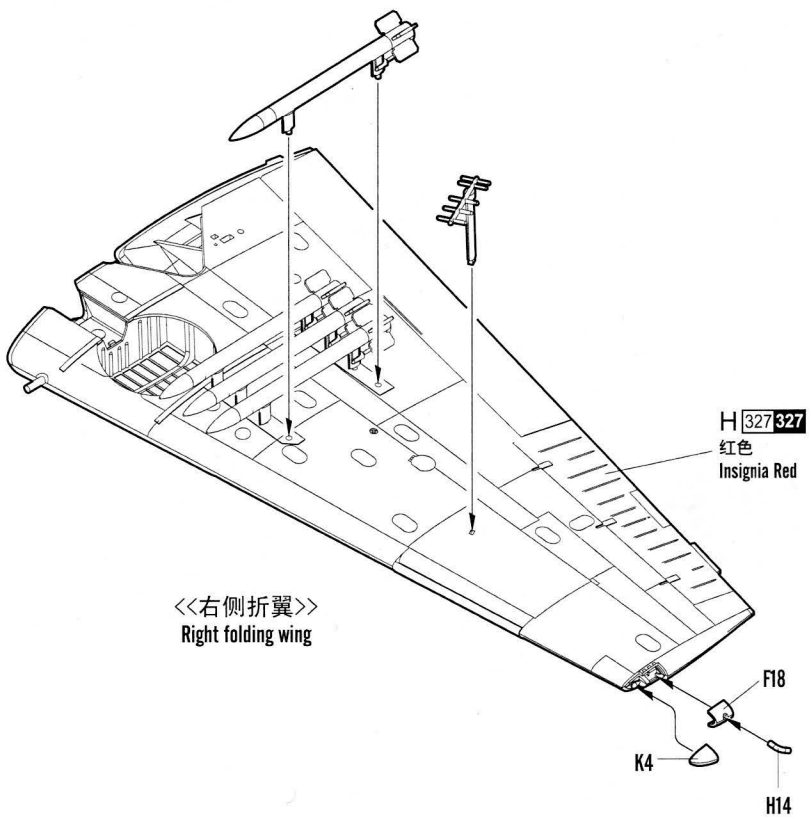
《《左侧折翼》》  
Left folding wing



制作2组  
Make two



制作8组  
Make eight



《《右侧折翼》》  
Right folding wing

H 327 327  
红色  
Insignia Red

12  
STEP

<<左侧折翼>>  
Left folding wing

H 8 8  
银色  
Silver

H 316 316  
白色  
White

F41 对侧F40  
Opposite F40

E1  
对侧E2  
Opposite E2

E26  
对侧E27  
Opposite E27

<<右侧折翼>>  
Right folding wing

H 316 316  
白色  
White

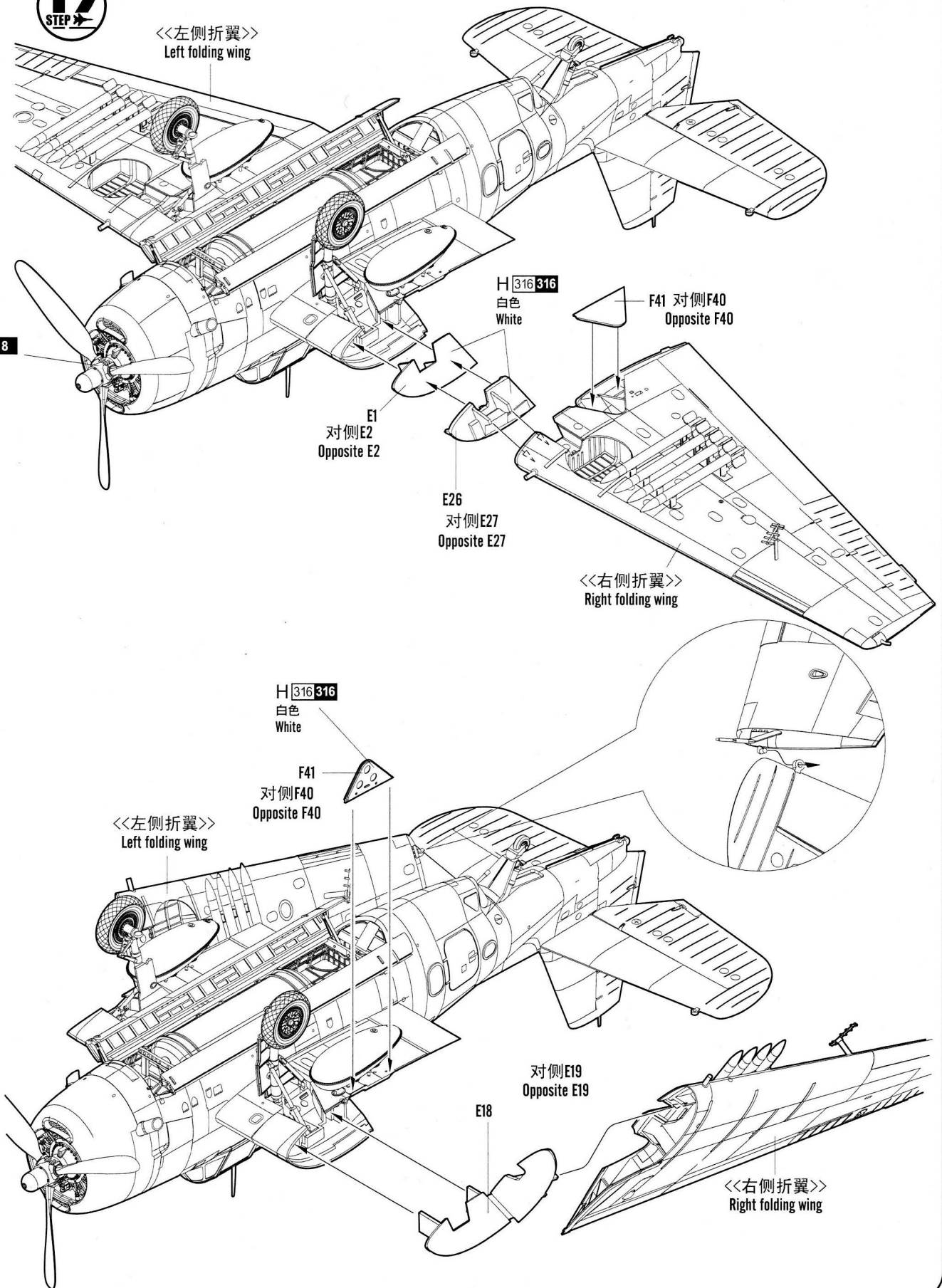
F41  
对侧F40  
Opposite F40

<<左侧折翼>>  
Left folding wing

对侧E19  
Opposite E19

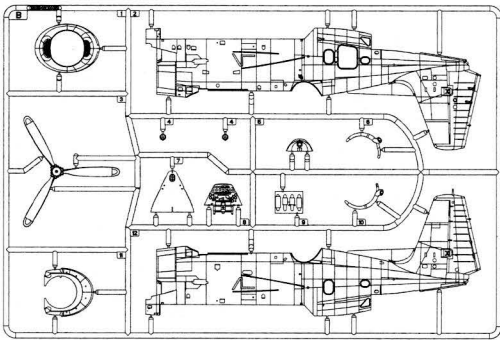
E18

<<右侧折翼>>  
Right folding wing

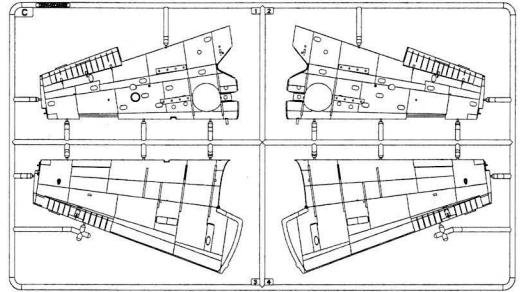


# 部品图 Parts

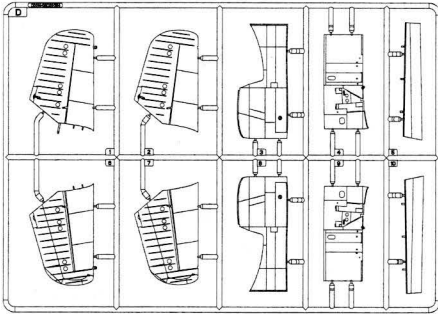
B



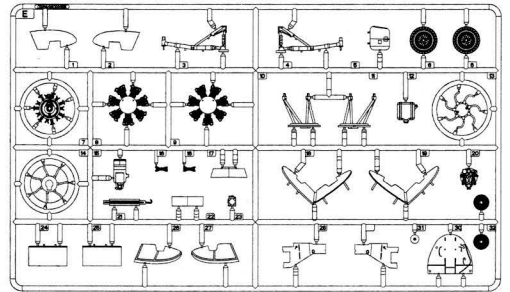
C



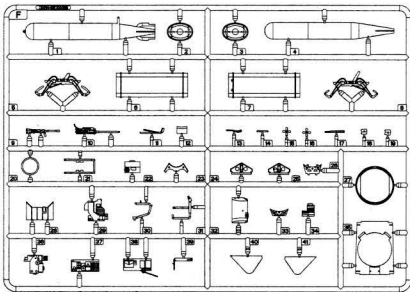
D



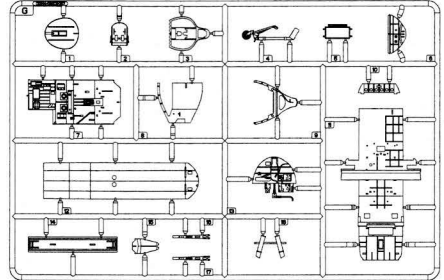
E



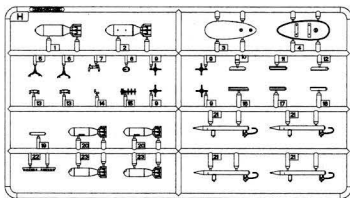
F



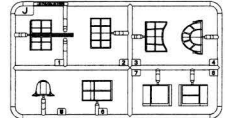
G



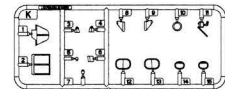
H



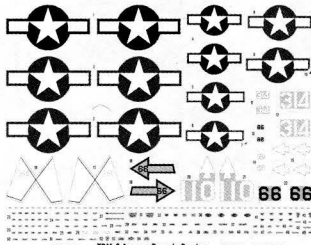
J



K



《贴纸》  
Decal

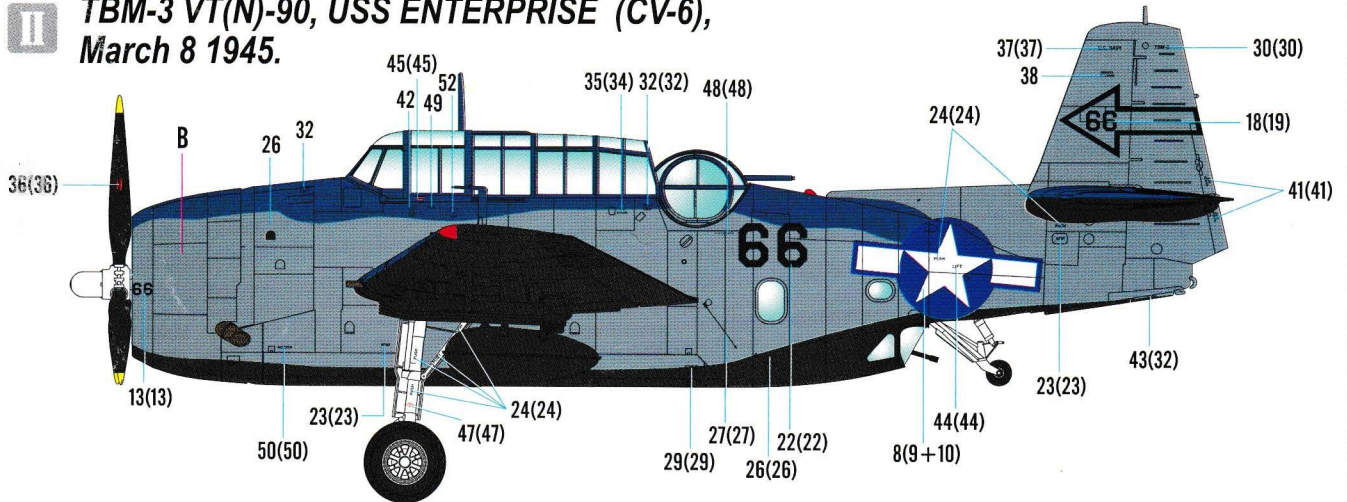


《球形炮塔》  
Turret

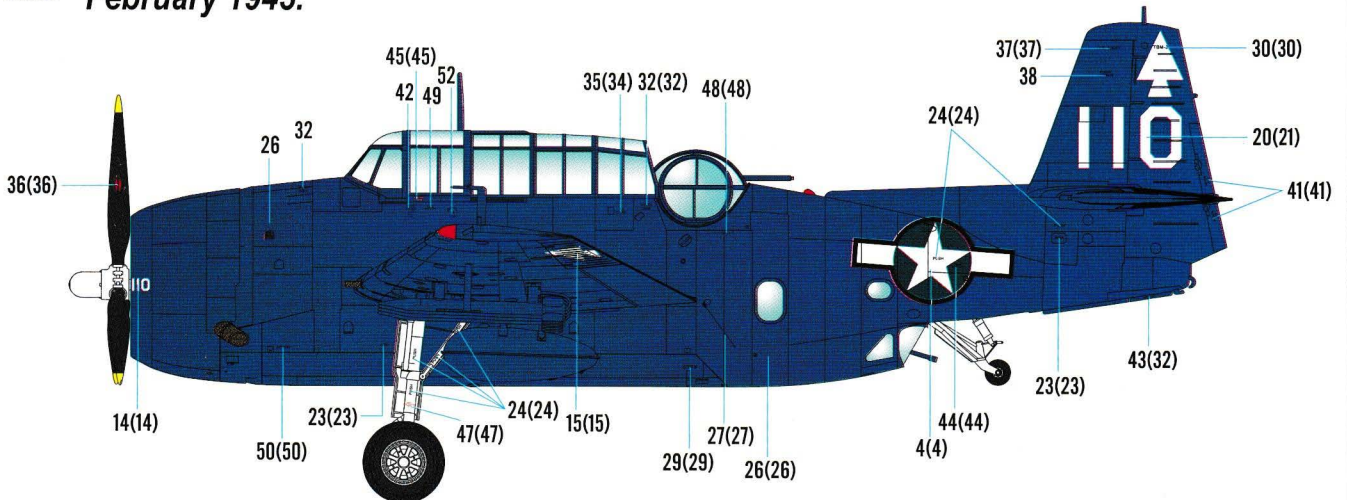




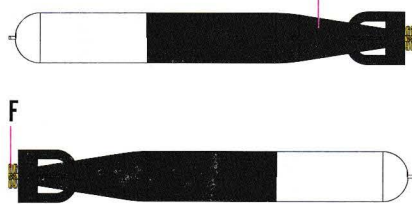
**II** TBM-3 VT(N)-90, USS ENTERPRISE (CV-6),  
March 8 1945.



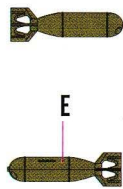
**III** TBM-3 White 110, VT-82, USS BENNINGTON (CV-20),  
February 1945.



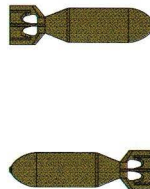
torpedo



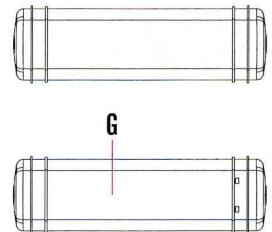
bomb



bomb a



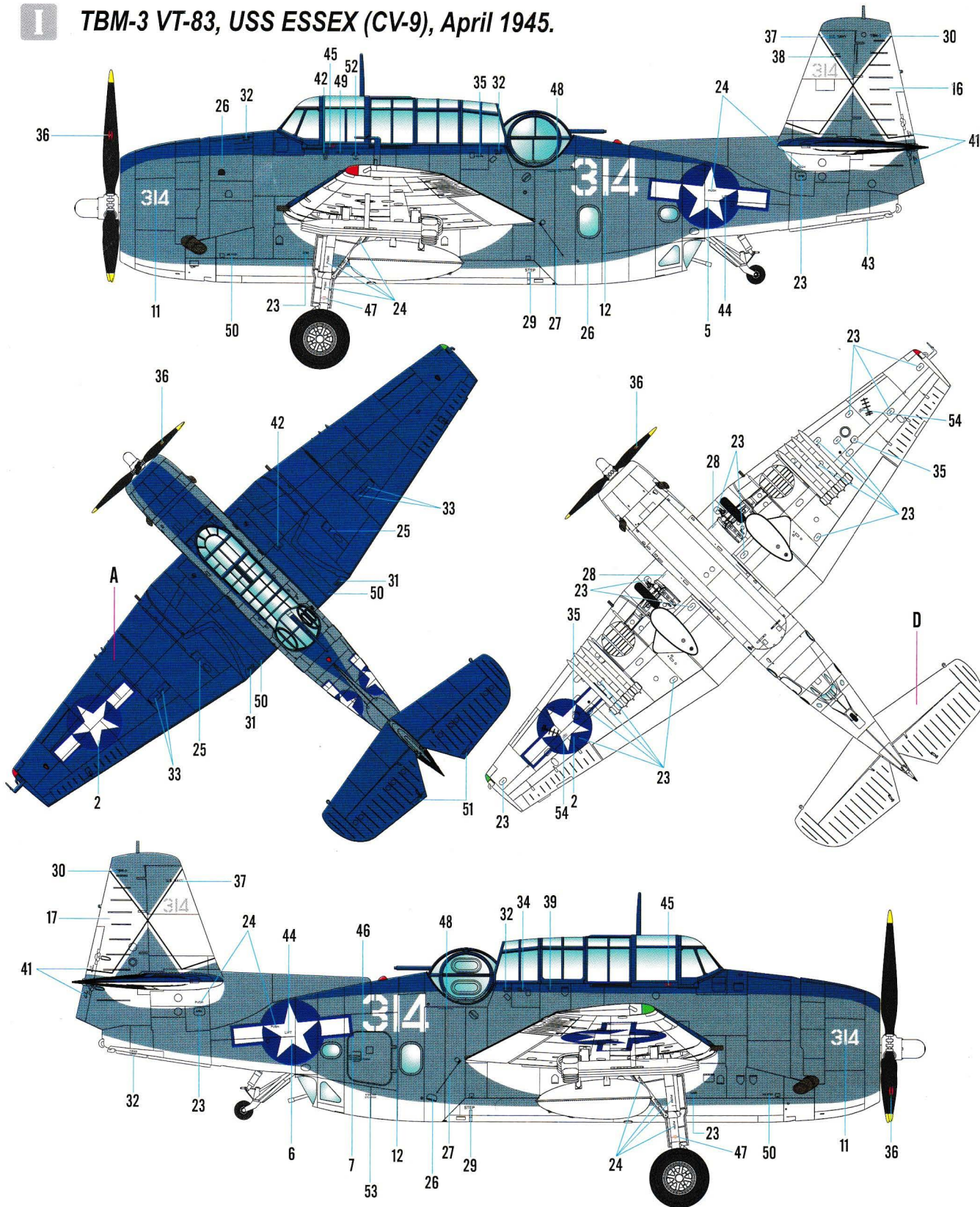
fuel tank



	Color	Mr.Hobby	Vallejo	Model Master	Tamiya	Humbrol
<b>C</b>	消光黑 Flat Black	H 12 33	950	1749	XF1	33
<b>D</b>	白色 White	H 316 316	991	1745	X2	22
<b>E</b>	橄榄色 Olive Drab	H 304 304	887	1711	XF62	155
<b>F</b>	金色 Gold	H 9 9	878	1744	XF12	16
<b>G</b>	银色 Silver	H 8 8	997	1546	XF11	11



**I** TBM-3 VT-83, USS ESSEX (CV-9), April 1945.



	Color	Mr.Hobby	Vallejo	Model Master	Tamiya	Humbrol
<b>A</b>	海军蓝 Navy Blue	H 365 365	898	--	--	77
<b>B</b>	中蓝 Midum Blue	H 366 366	--	1721	XF20	145