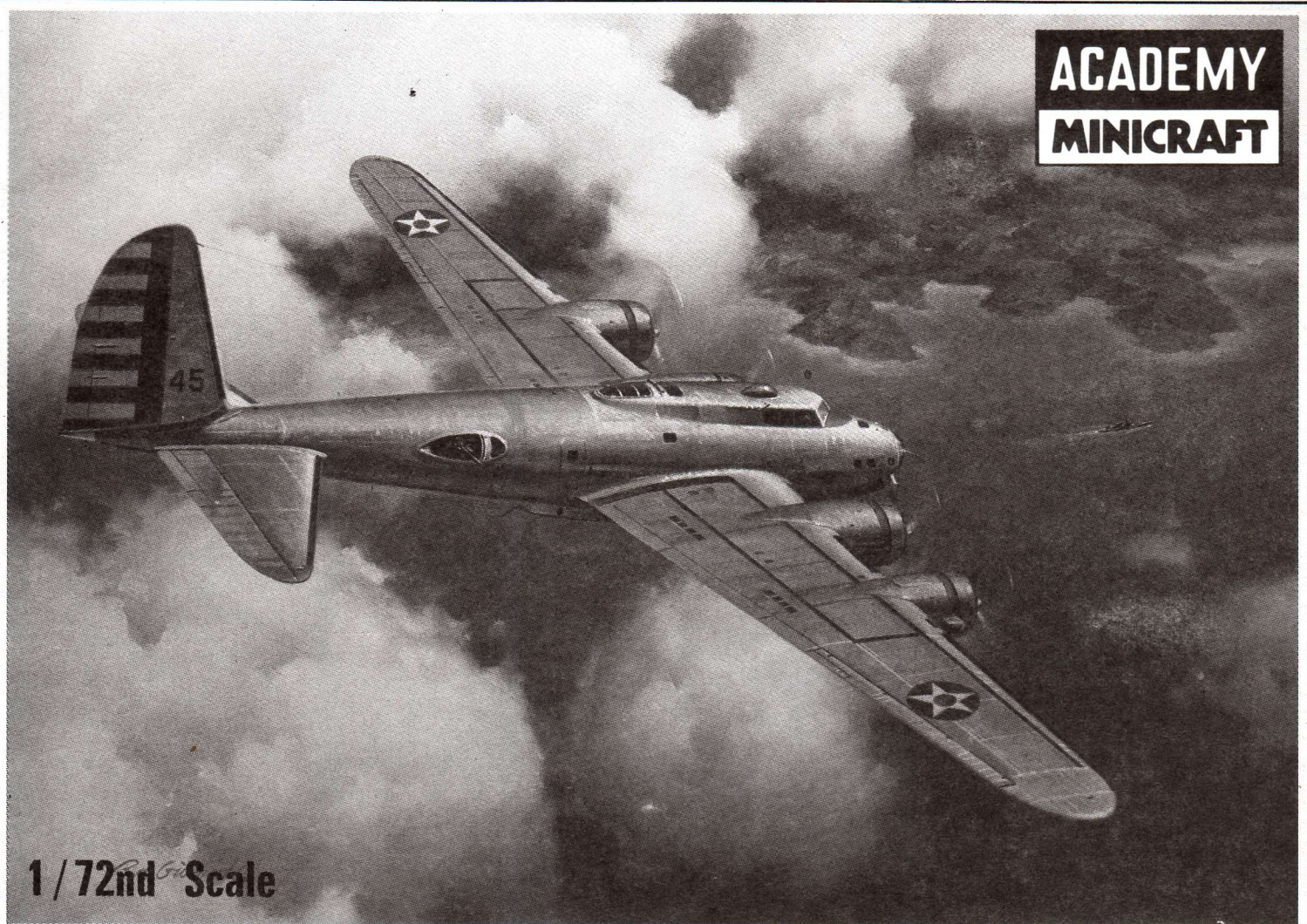


**ACADEMY  
MINICRAFT**



1 / 72nd Scale

## **BOEING B-17C/D FLYING FORTRESS**

In the dark days of 1941 immediately following the attack on Pearl Harbor, the public and press needed to find an American hero of World War II. Captain Colin P. Kelly furnished the press and radio with just an incident when his **B-17C** attacked a Japanese warship on December 10, 1941 resulting in his death while allowing his crew members to escape the flaming plane.

At first, it was popularly reported that Captain Kelly had been awarded the *Congressional Medal of Honor* for sinking a Japanese battleship. Later, when the facts became known, it was developed that he was given the *Distinguished Flying Cross* for his attack on a Japanese minesweeper off the Philippine coast. Upon returning to Clark Field after the bombing attack, his aircraft was jumped by a flight of Japanese fighters who shot down his plane. Captain Kelly stayed at the controls and gave his life while his crew parachuted to temporary safety.

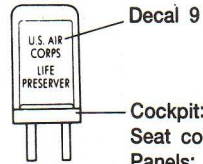
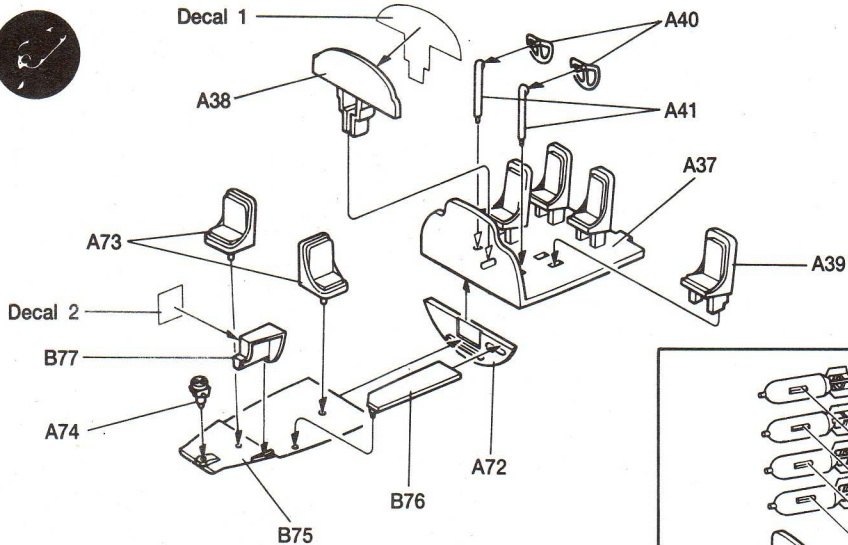
There has been much controversy over the correct markings for his plane, but eyewitness reports from surviving crew members tell us the plane, serial number 40-2045 was bare metal with standard pre-war markings. The only distinctive marking was the number "45" on the front half of the rudder.

This kit allows you to build either a **B-17C** or **B-17D**. The decal sheet contains the markings for Captain Kelly's plane plus a colorful **B-17D** from the 436th Bombardment Group stationed at March Field in December 1941.

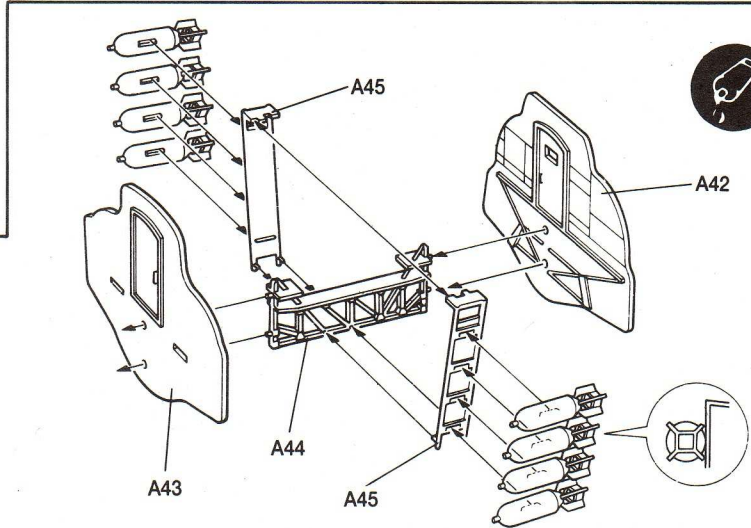
There was only 38 model C and 41 model D **Flying Fortresses** manufactured in 1940 and 1941. Twenty **B-17C** aircraft were delivered to England; of the balance, many were destroyed on the ground at Pearl Harbor and Clark Field in the Philippines. The few that survived fought bravely in those early dark days of the war.

From the outside, the difference between a "C" and a "D" is in the engine cowlings; the "D" has cowl flaps. Internally, the "D" had more powerful engines and space for one additional crew member.

# 1 Cockpit and bombardiers station assembly

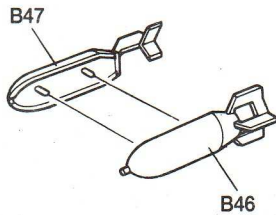


Decal 9  
Cockpit: Chromate green  
Seat covers: Tan  
Panels: Black  
Steering wheels: Black

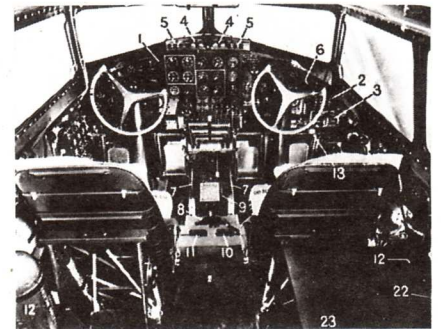
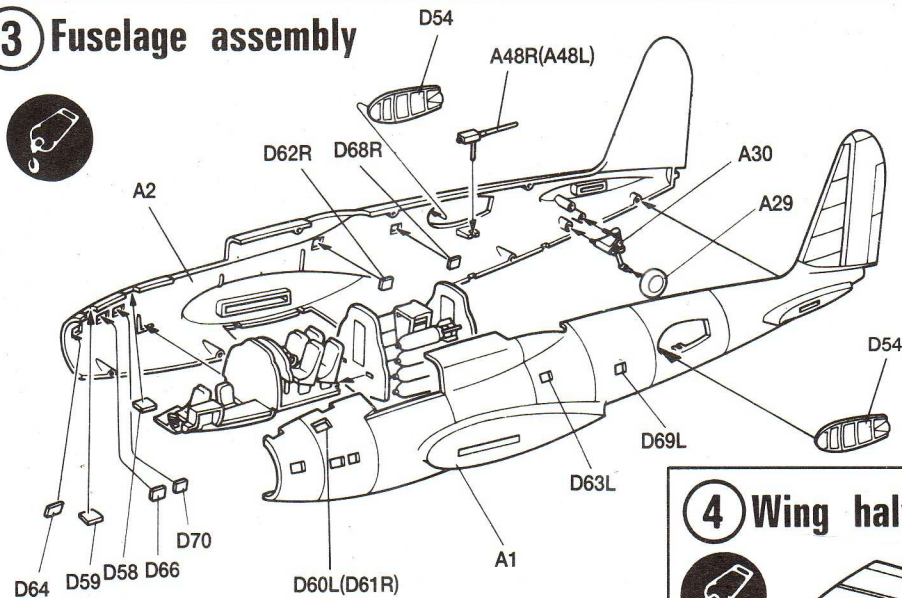


# 2 Bomb bay and weapons assembly

Bomb sight: Black  
Interior: Chromate green  
Bombs: Before 1942-Yellow  
After 1943-Khaki

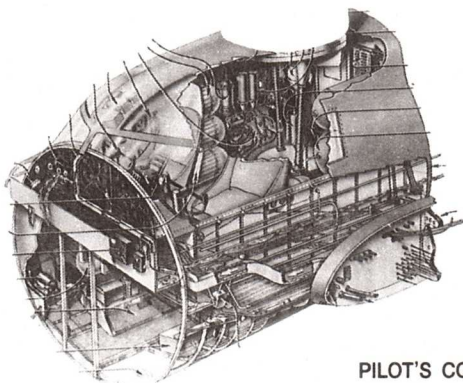


# 3 Fuselage assembly



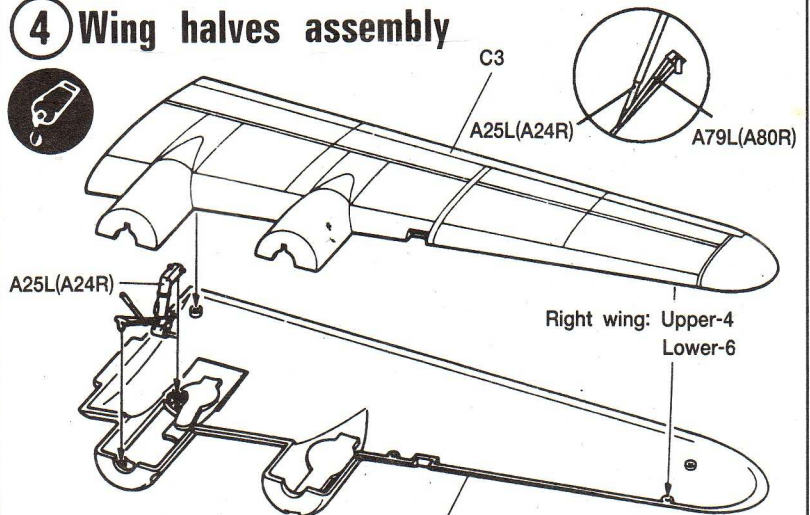
Waist gunners' compartment: Chromate green  
Bombardier's compartment: Chromate green,  
Black panels

Left side: 65-67-71



PILOT'S COMPARTMENT

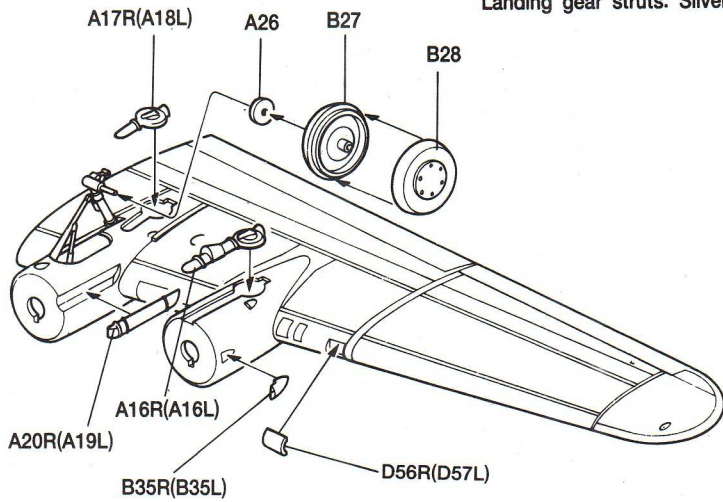
# 4 Wing halves assembly



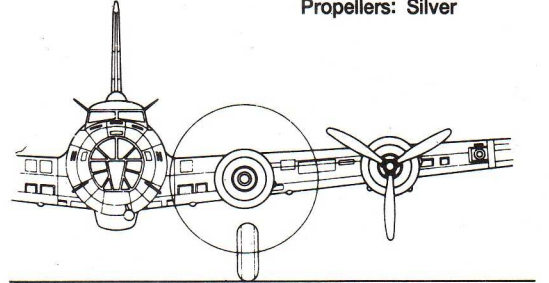
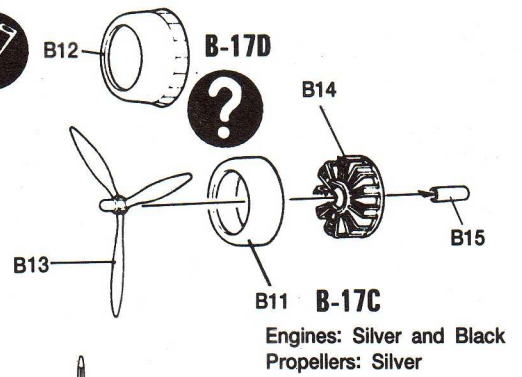
## 5 Landing gear and supercharger assembly



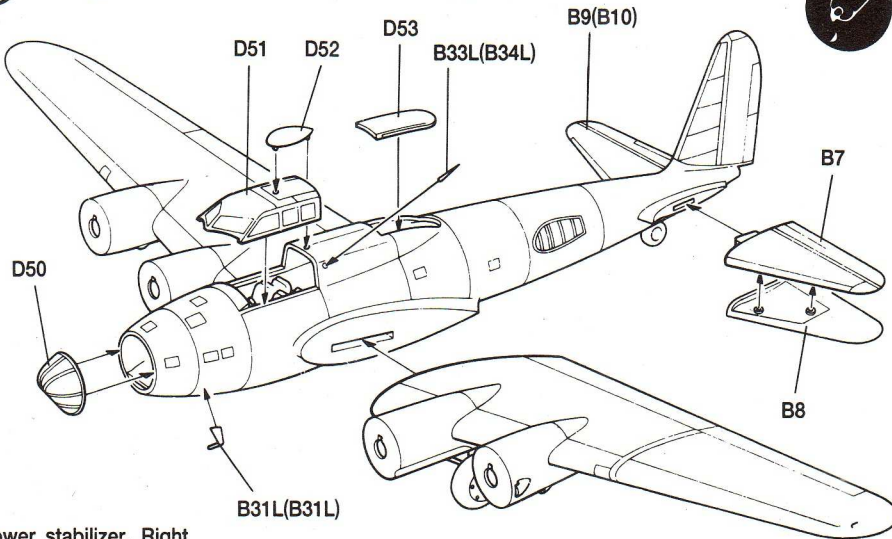
Behind landing gear lights: Silver  
Tire: Black  
Wheel well: Chromate green  
Landing gear struts: Silver



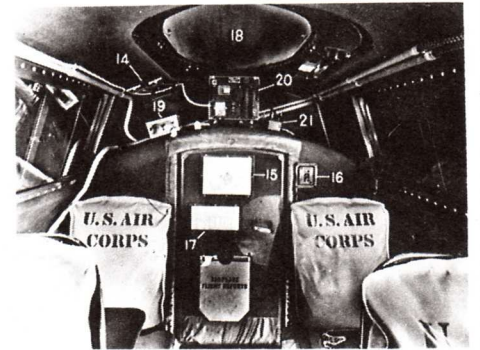
## 6 Engine and propeller assembly



## 7 Wing, elevator and canopy installation



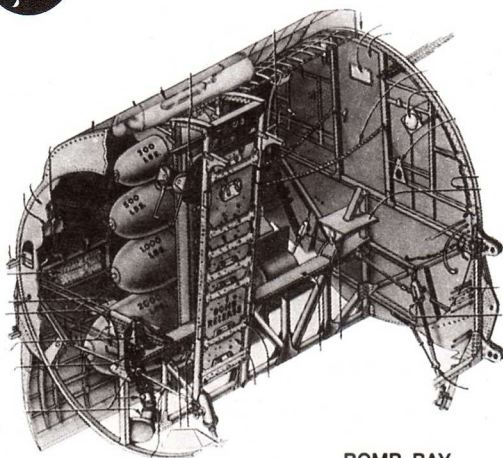
Lower stabilizer, Right



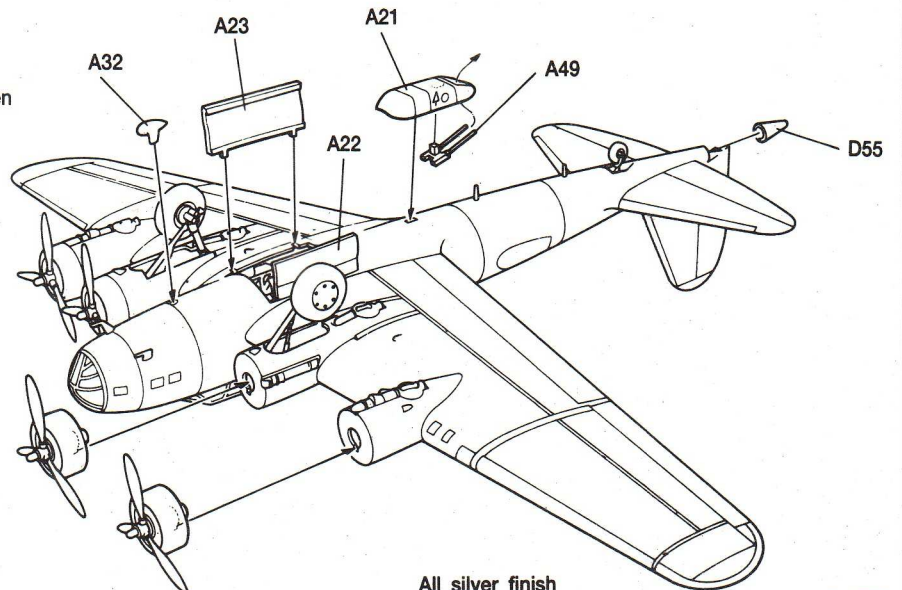
## 8 Final assembly



Tail wheel: Black  
Bomb bay door interiors: Chromate green



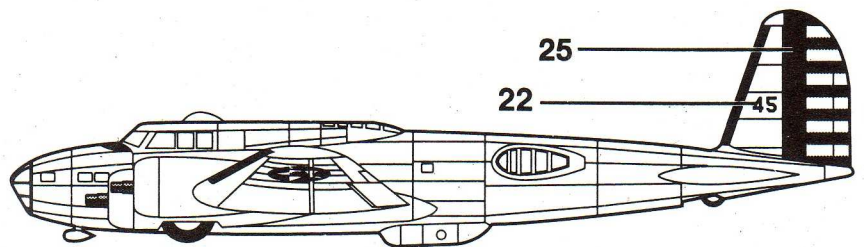
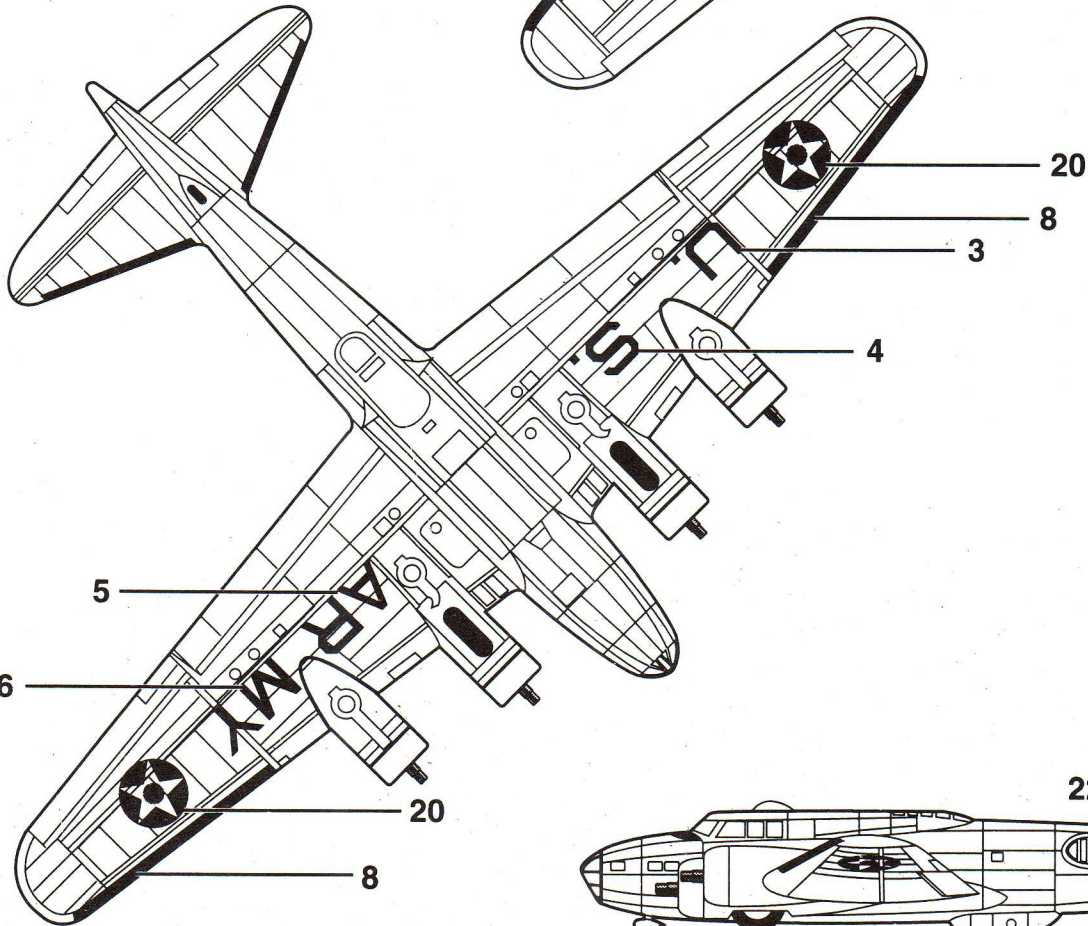
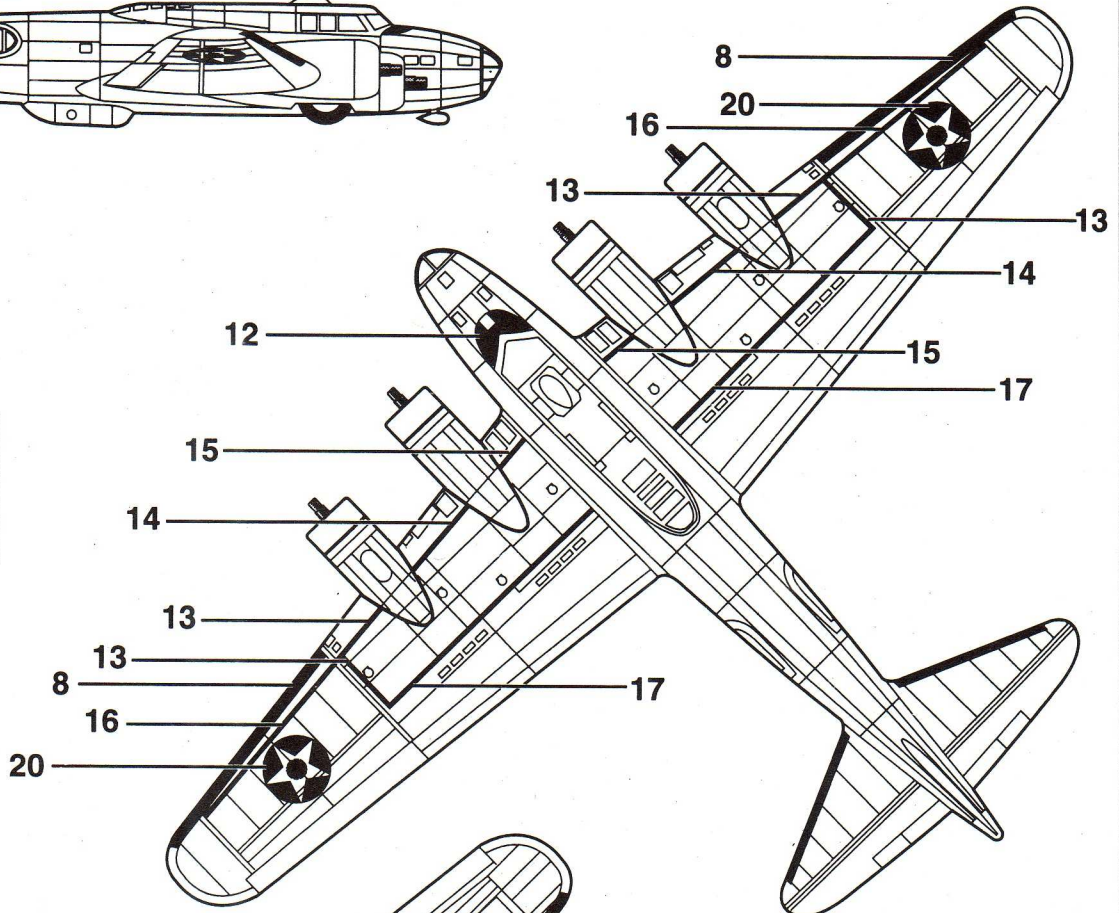
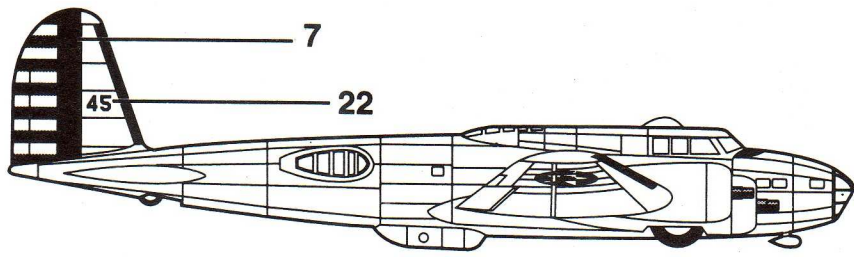
BOMB BAY



All silver finish

# B-17C Painting and Decal Instruction

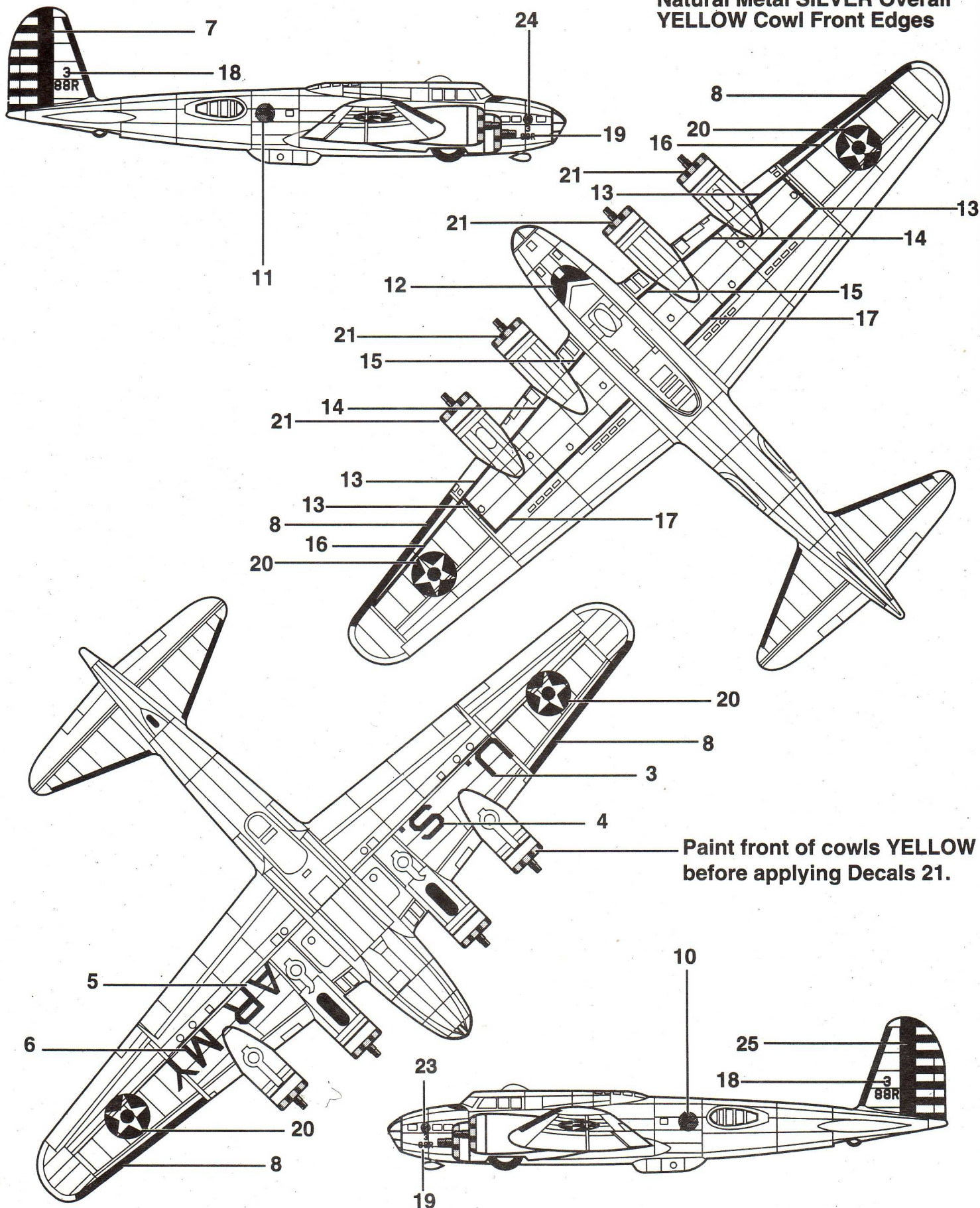
Natural Metal SILVER Overall



TO RECEIVE A COPY OF THE NEWEST FULL  
COLOR MINICRAFT / ACADEMY CATALOG,  
SEND US \$ 5.00 (U.S.A. ONLY) OR \$ 6.00  
(FOREIGN) TO MINICRAFT MODELS, INC.  
P.O. BOX 3577 TORRANCE, CA 90510.

# B-17D Painting and Decal Instruction

Natural Metal SILVER Overall  
YELLOW Cowl Front Edges



Paint front of cowls YELLOW before applying Decals 21.



Cement Parts  
Coller  
Kleben  
Pegar  
Incollare  
Colar  
Kleven



Do Not Cement Parts  
Ne Pas Coller  
Nicht Kleben  
No Pegar  
Non Incollare  
Não Colar  
Niet Kleven



Cut Away  
Couper  
Scheiden  
Cortar  
Tagliare  
Cortar  
Snijden



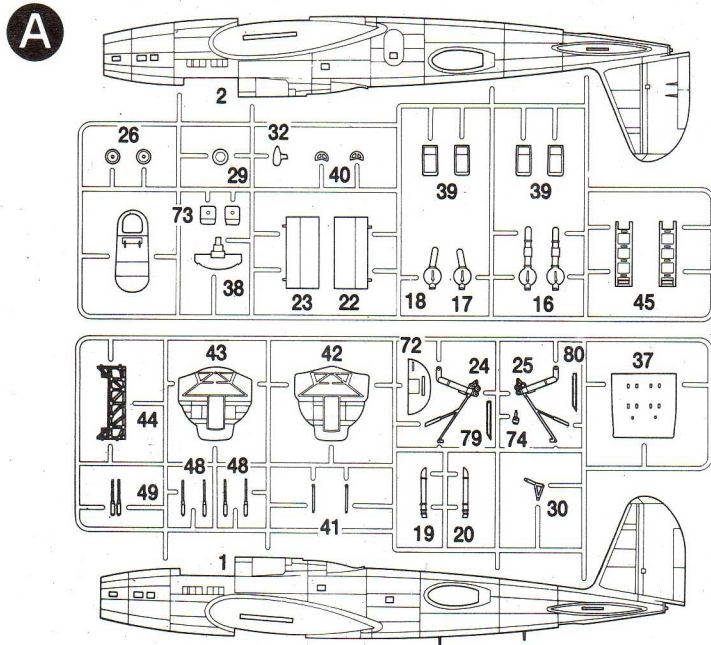
Optional Parts  
Choix  
Auswahlmöglichkeit  
Eleccion  
Scelta  
Opcao  
Keuze



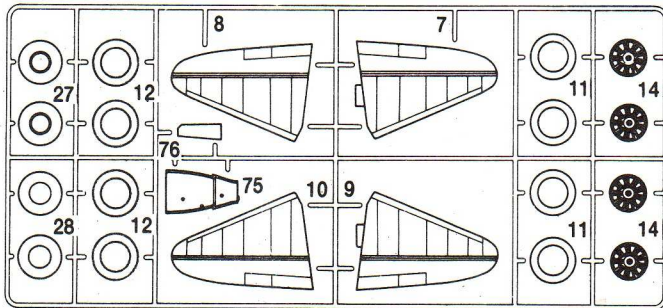
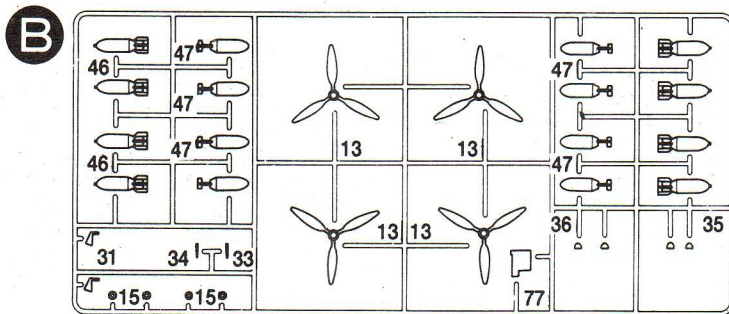
Repeat Operation  
Répéter l'opération  
Vorgang Wiederholen  
Repitir la operacion  
Repetere  
Repitir a Operação  
Herhalen

**ACADEMY  
MINICRAFT**

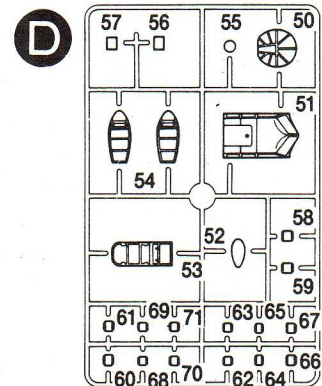
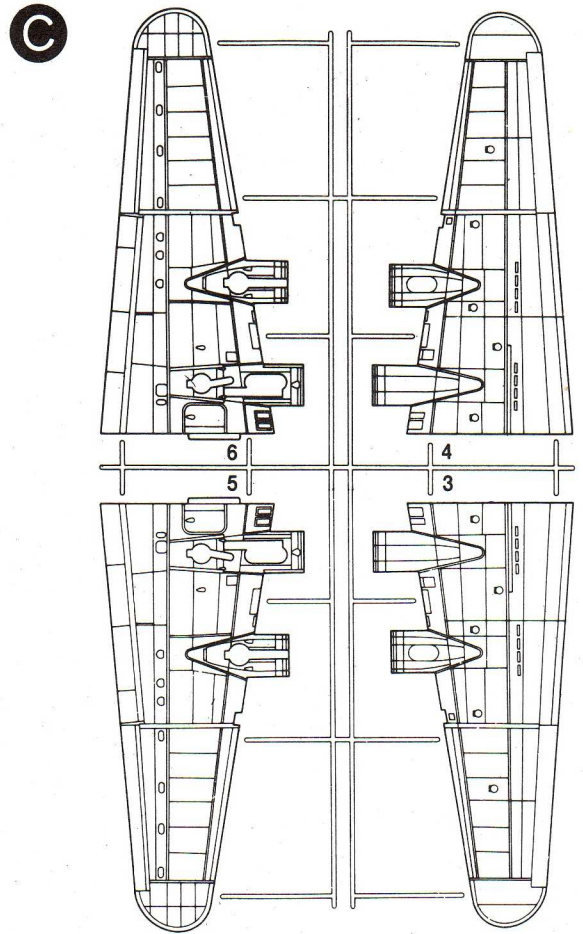
# Parts Locating Diagram



● UNUSED PARTS: B36 × 2



ENGLISH	FRENCH	GERMAN	SPANISH	ITALIAN
BLACK	NOIR	SCHWARZ	NEGRO	NERO
SILVER	ARGENT	SILBERN	PLATA	ARGENTO
GUNMETAL	METALLIC	METALLIC	METALICO	METALLICO
ALUMINUM	ALUMINUM	ALUMINUMFARBEN	ALUMINIO	ALLUMINIO
METALLIC	METALLIC	METALLIEK	METALICO	METALLICO
GRAY	GRIS	GRAU	GRIS	GRIGIO
LT GRAY	GRIS CLAIR	HELL GRAU	GRIS CLARO	GRIGIO CHIARO
WHITE	BLANC	WEISS	BLANC	BIANCO
RED	ROUGE	ROT	ROJO	ROSSO
YELLOW	JAUNE	GELB	AMARILLO	GIALLO
BLUE	BLEU	BLAU	AZUL	BLU
ORANGE	ORANGE	ORANGE	NARANJADO	ARANCIO
GREEN	VERT	GRUN	VERDE	VERDE
BROWN	BRUN	BRAUN	MARRON	MARRONE
TAN	BRUN CLAIR	GELBBRAUN	CANELA	MARRONE CHIARO



**ACADEMY**  
**MINICRAFT**