

# 1945 King Tiger



## Panzerkampfwagen Tiger Ausf. B. Henschel Turret

A.MIG 8500

- 1 March 1945 Last versión
- 2 July 1945 Project:  
Mit Infrarot-Scheinwerfer (FG 1250) and Em. 1.6 m R (PZ).



**2 in 1**  
March 1945 Last version  
July 1945 Project

### 1 March 1945 model

This version incorporated the last improvements that entered production with the turret completed by Wegmann in March 1945:

- Deleted ring on the commander's cupola.
- Simplified rear turret hatch.
- New holders for the spare links model Kgs. 73/800/152 (18-tooth drive sprockets).
- Five D-loops welded to the turret sides to help attach foliage as camouflage.

The following modifications were added to the hull rear:

- Deleted jack and wooden jack block.
- Cooling air louvers on the rear engine deck to replace the large grille openings.
- Two new locks for the driver and assistant driver/hull machine-gunner.
- Internal mechanical changes.

### 2 Proposed model July 1945 (What If)

This version would have entered production in July 1945, including many improvements compared to the previous models:

- New Entfernungsmesser 1.6 m R (PZ) range finder, exclusively designed for the new modified turret of the Tiger B.
- Three-piece engine access hatch.
- New radiator system (heating).
- A Sturmgewehr 44 instead of a MG 34 in the glacis ball mount (not in all versions).
- An MG 42 in a new mount in place of the MG34 co-axial MG used on the previous models.
- Infrared system Mit Infrarot-Scheinwerfer (FG 1250).

03.02.2089

AMMO

## READ BEFORE ASSEMBLY

### CAUTION

- Read carefully and fully understand the instructions before commencing assembly. A supervising adult should also read the instructions if a child assembles the model.
- When assembling this kit, tools including knives used. Extra care should be taken to avoid personal injury.
- Keep out of reach of small children. Children must not be allowed to suck any part, or pull vinyl bag over their heads.



Optional



Instant Glue  
for Metal



Fill Holes



Drill



Do Not Cement



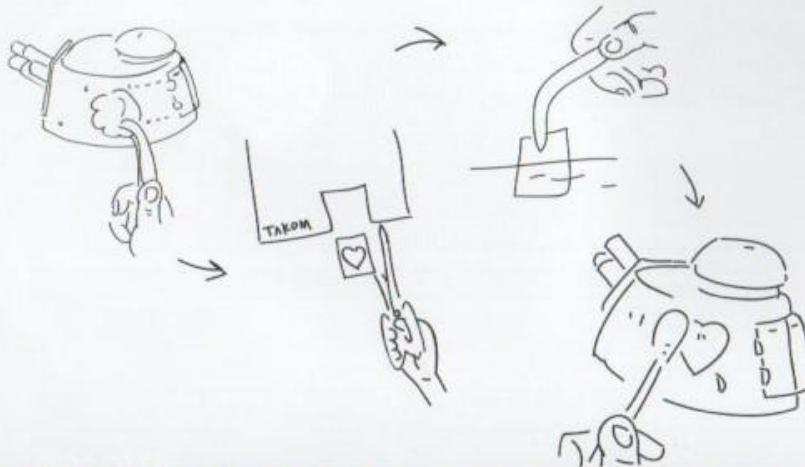
Remove

### PAINTS REQUIRED

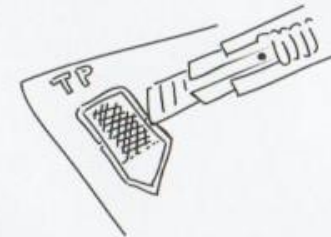
Color info and profiles by Mig Jimenez

### APPLYING DECALS

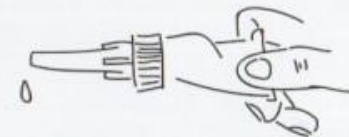
1. Clean the model surface with a wet cloth.
2. Cut out each decal design from sheet, and dip it in tepid water for 15-20 sec.
3. Hold the backing sheet edge and slide decal onto the model.
4. Move decal into position by wetting decal with finger.
5. Press decal gently down with a soft cloth until excess water and air bubbles are gone.



### REMOVING PE



Be careful not to hurt when removing PE parts.



Secure using instant glue (not included).

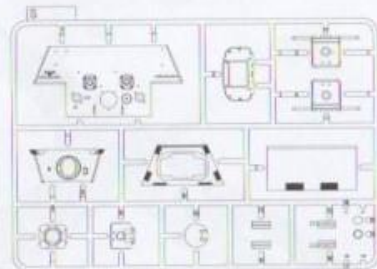
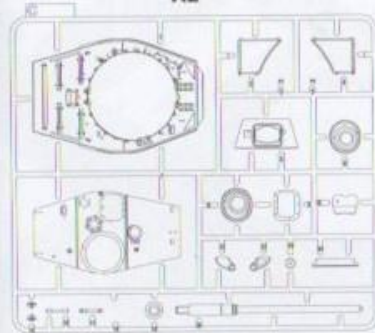
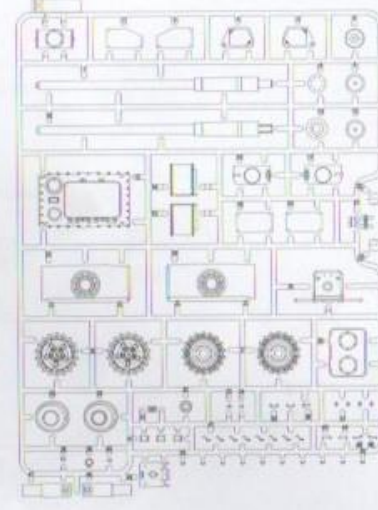
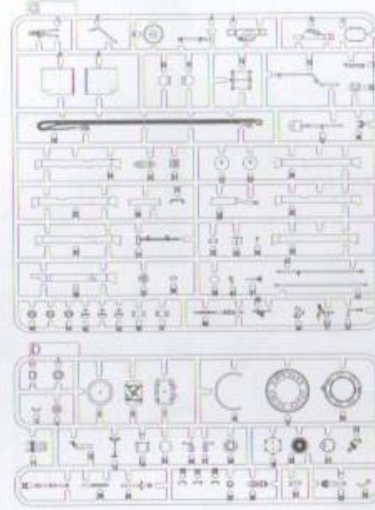
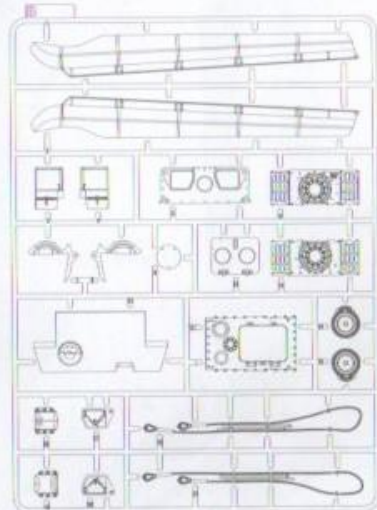


Finish using file.

# PARTS



X2



X2



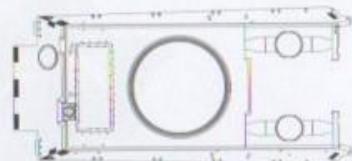
Decal



TP



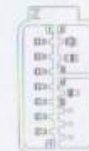
Lower Hull

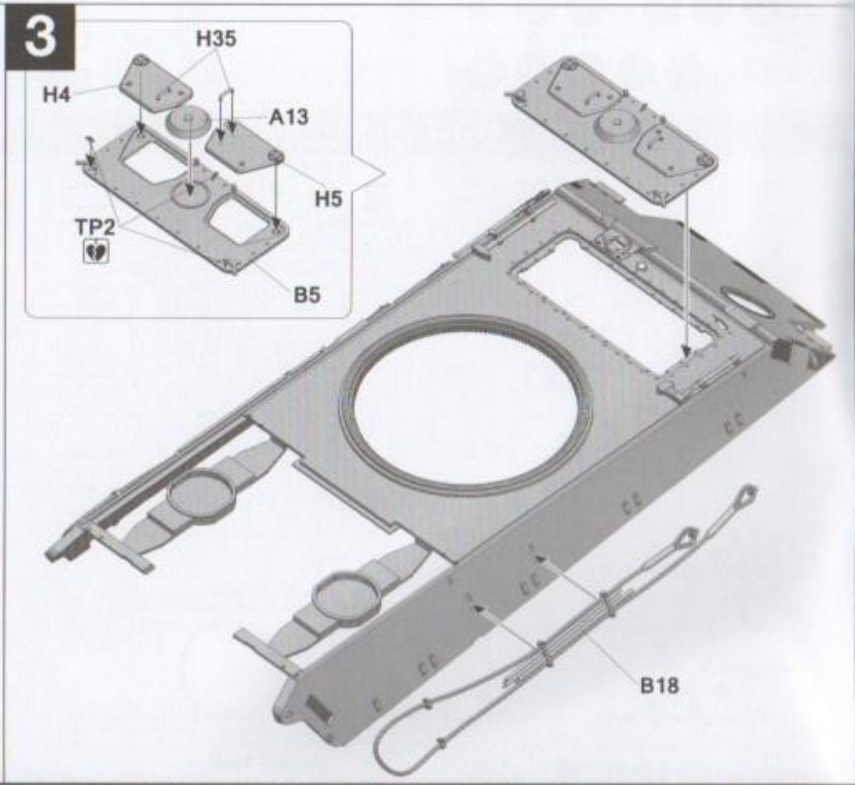
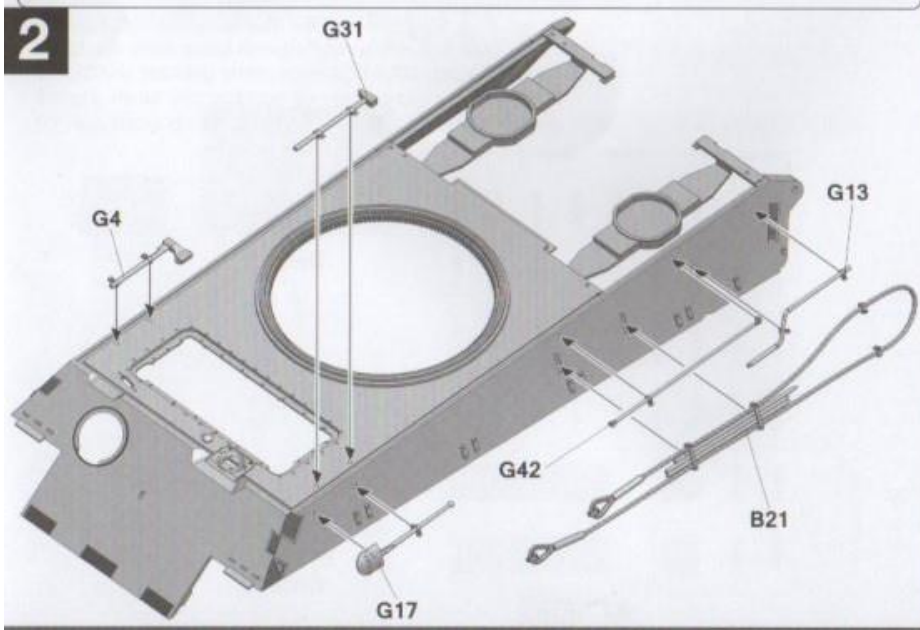
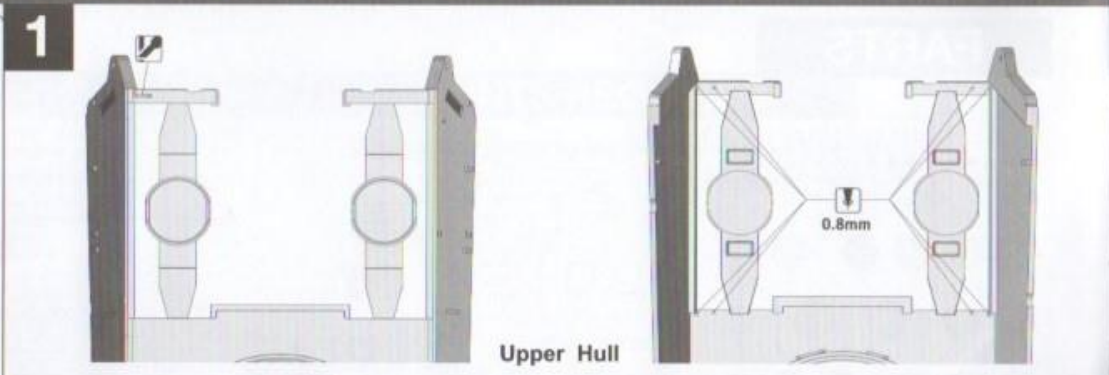
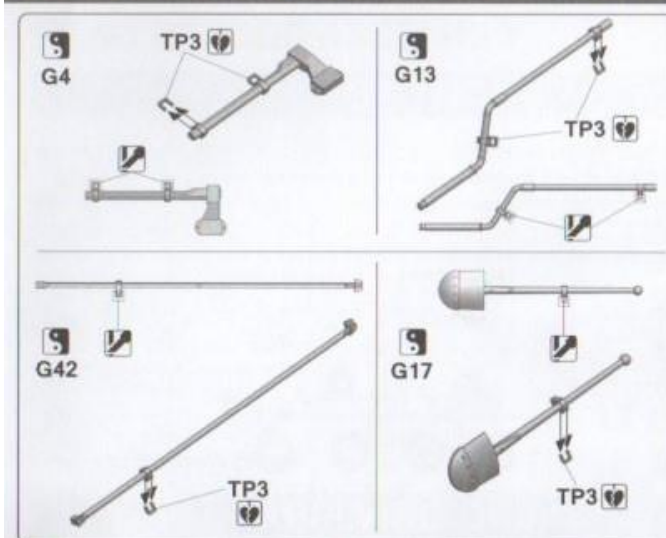


Upper Hull

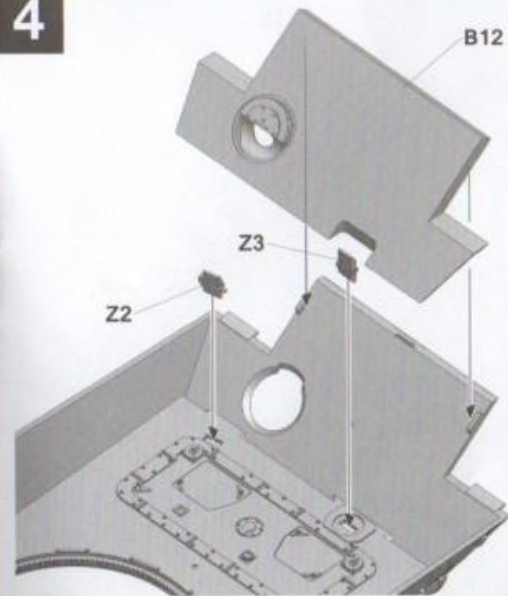


Turret

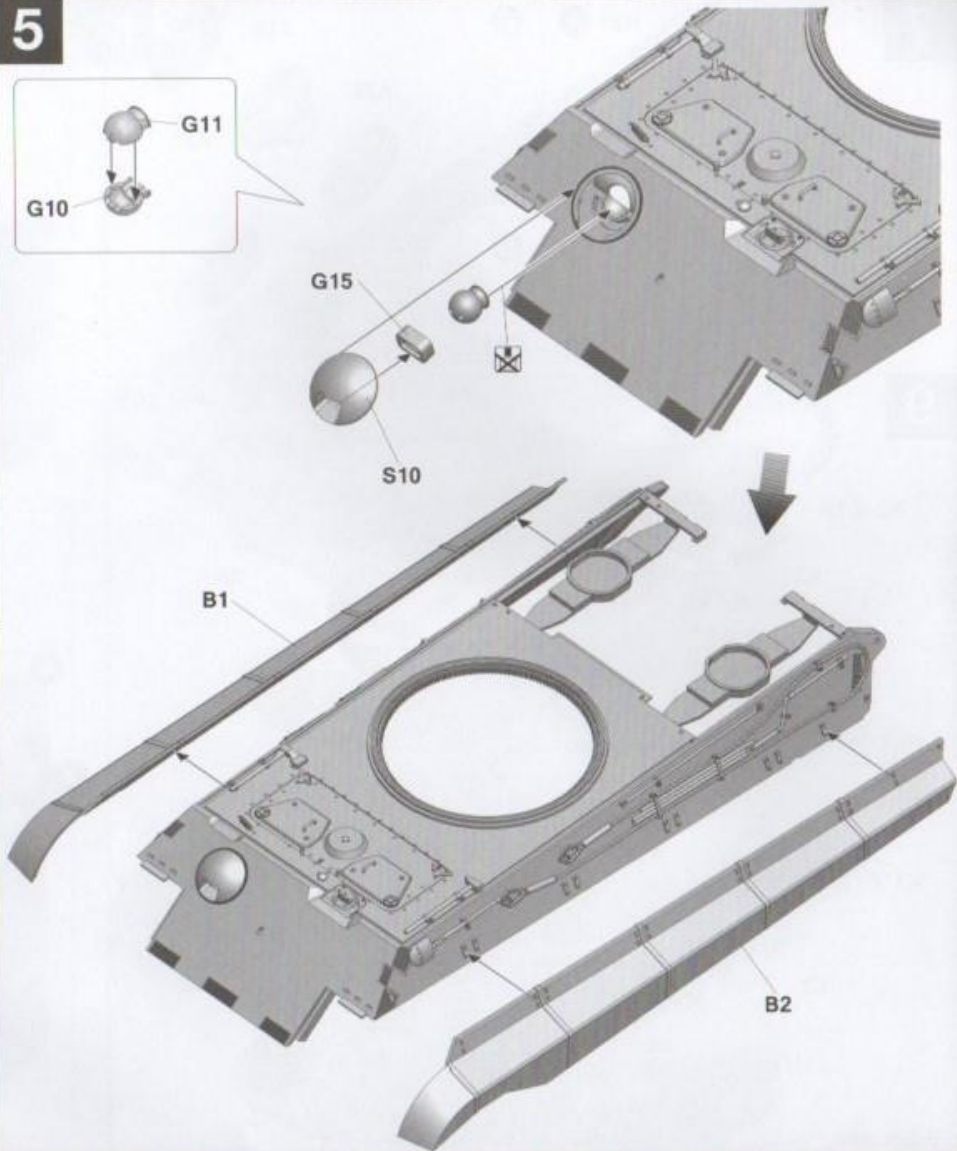




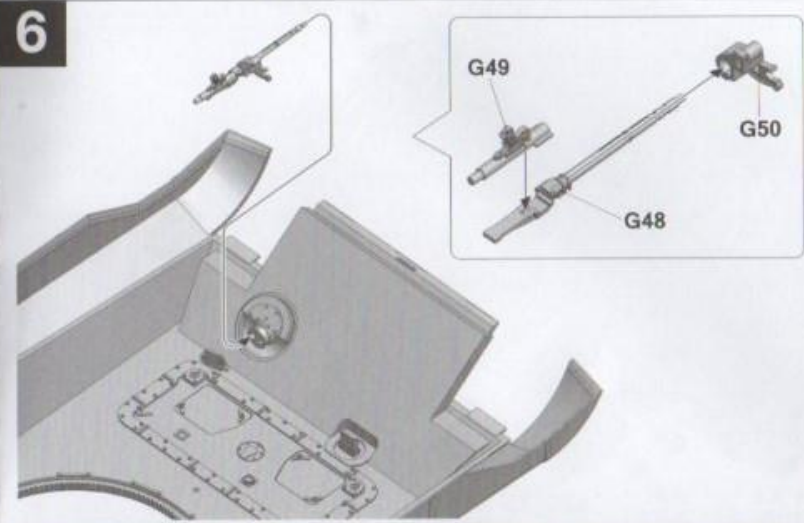
4



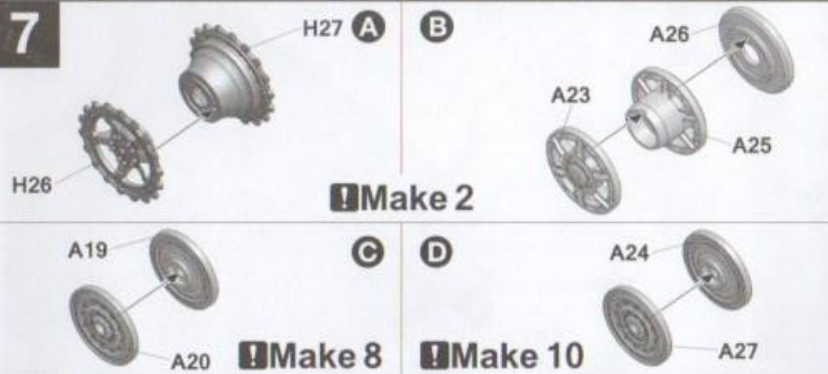
5



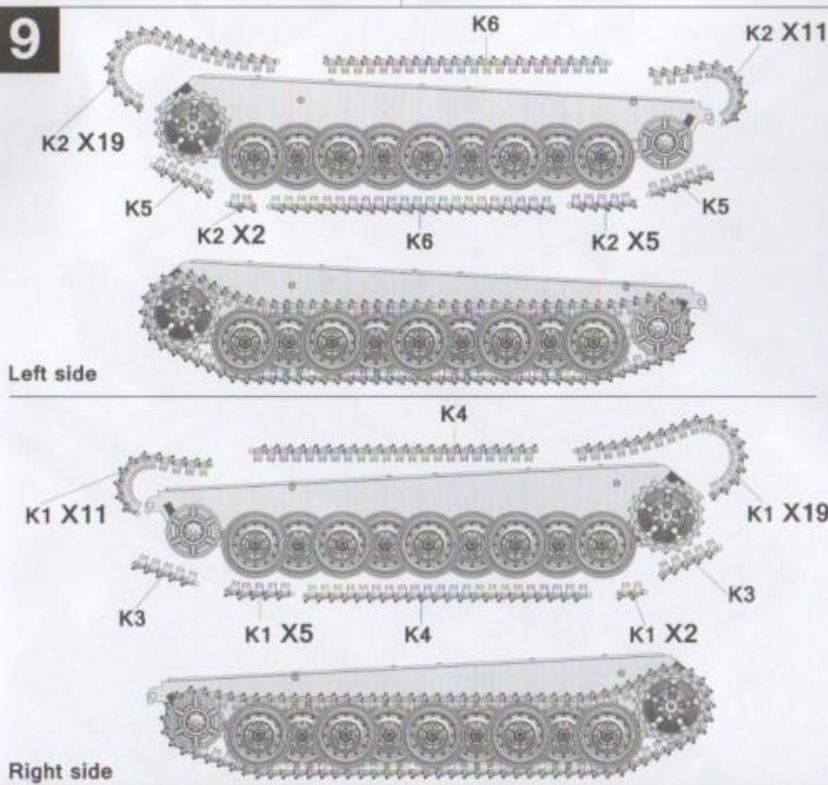
6



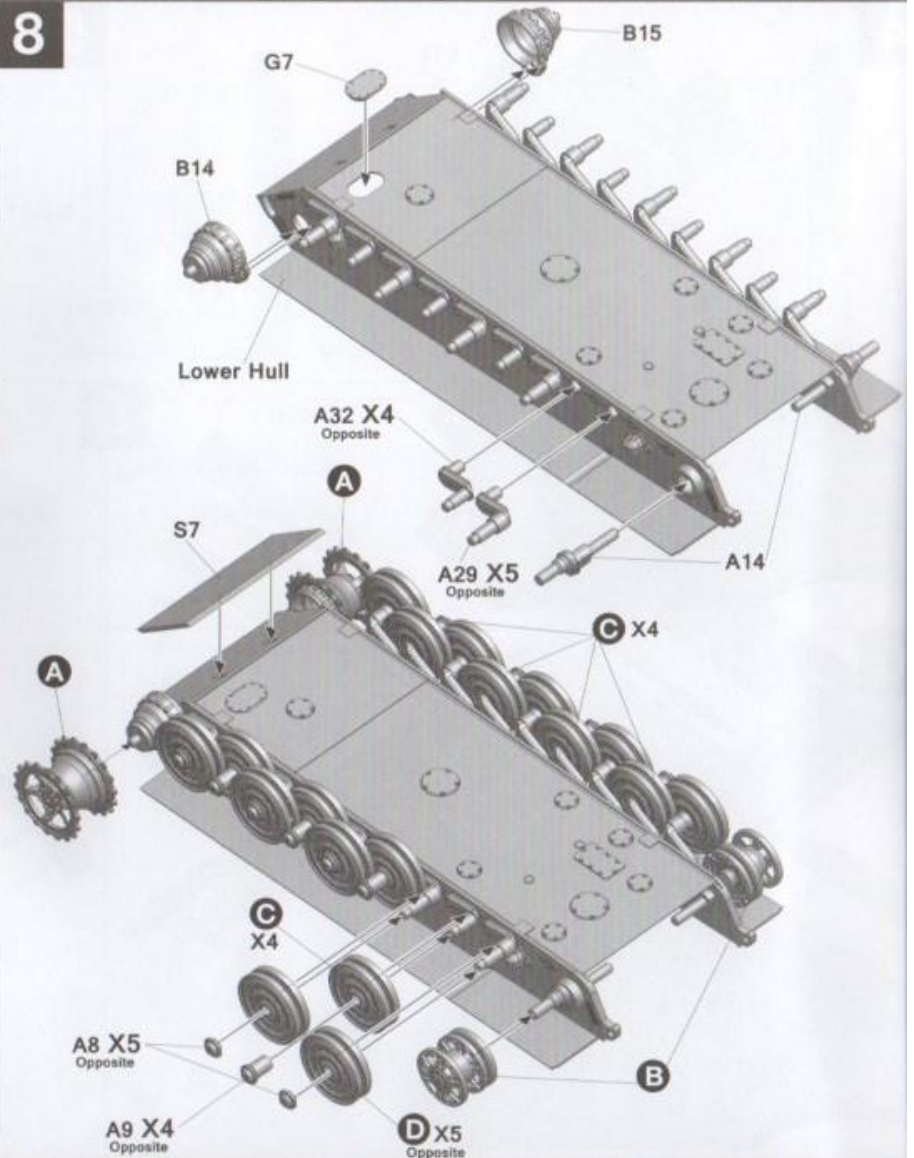
7



9

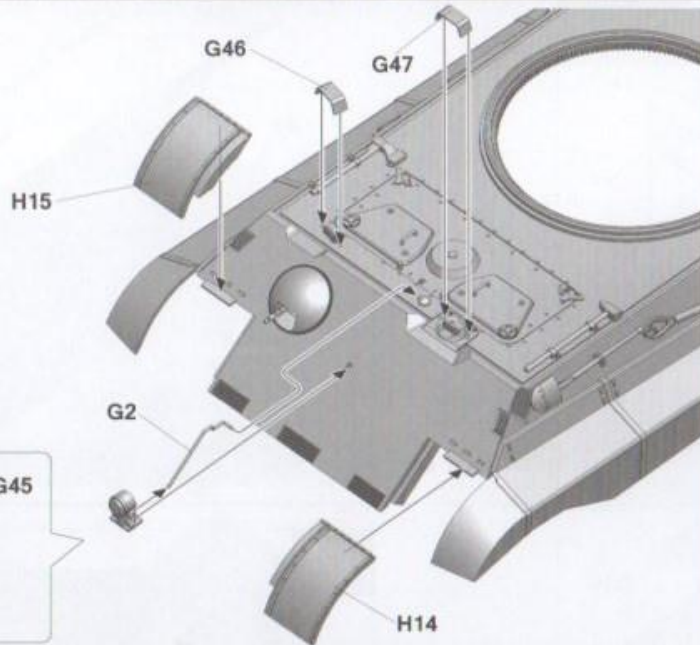


8

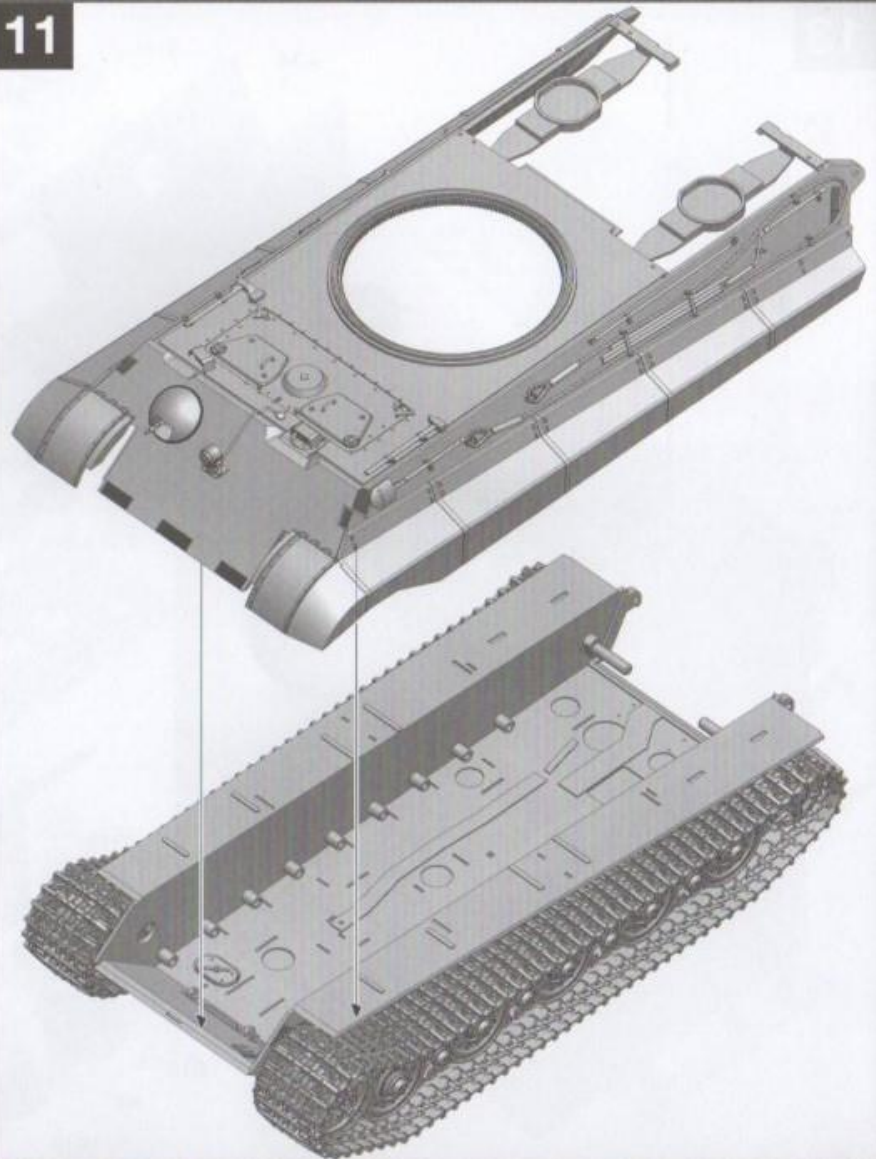


5

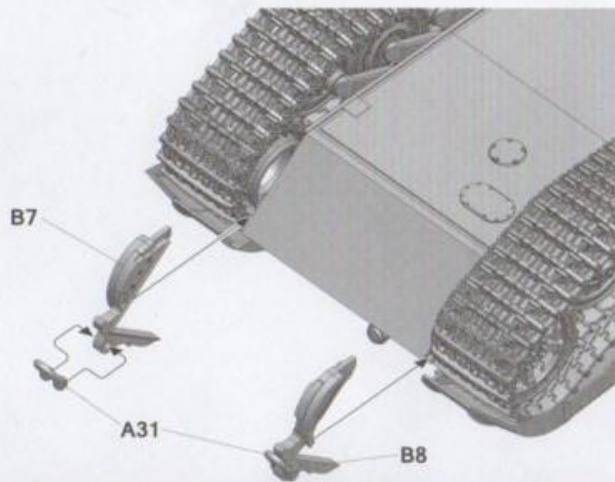
10



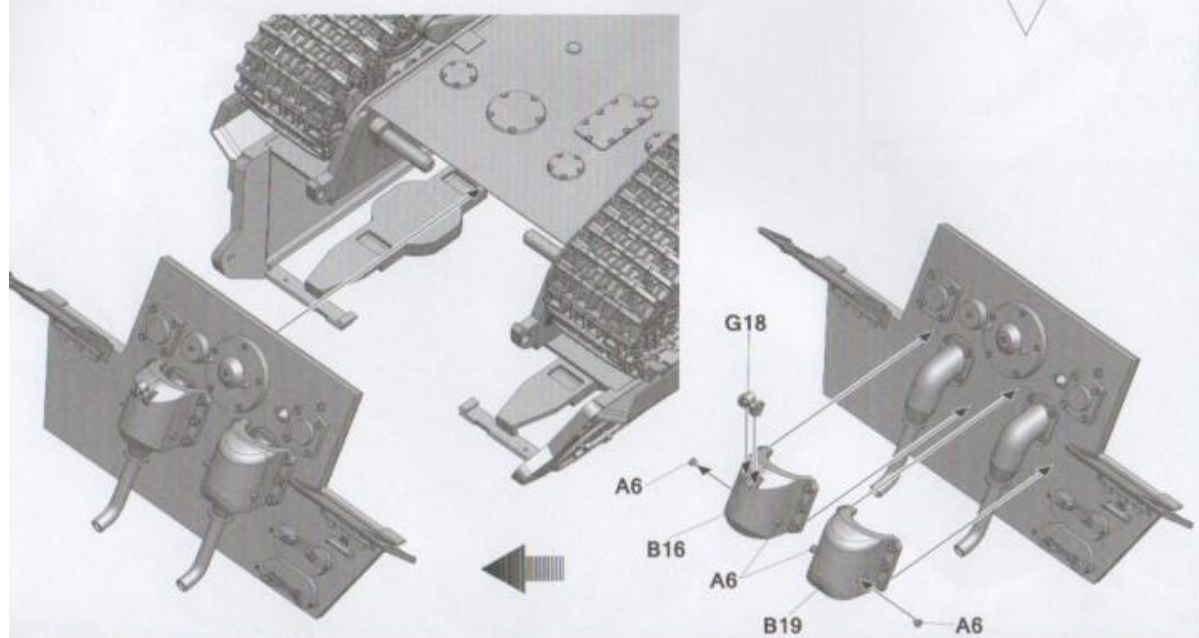
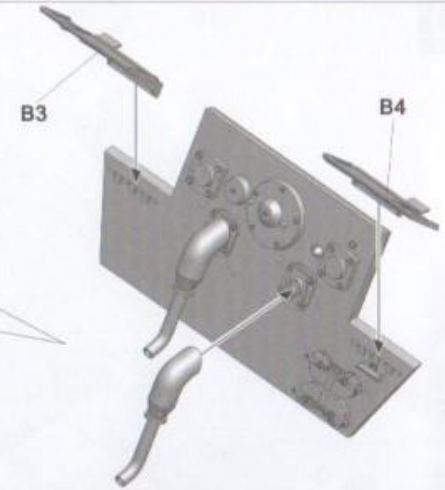
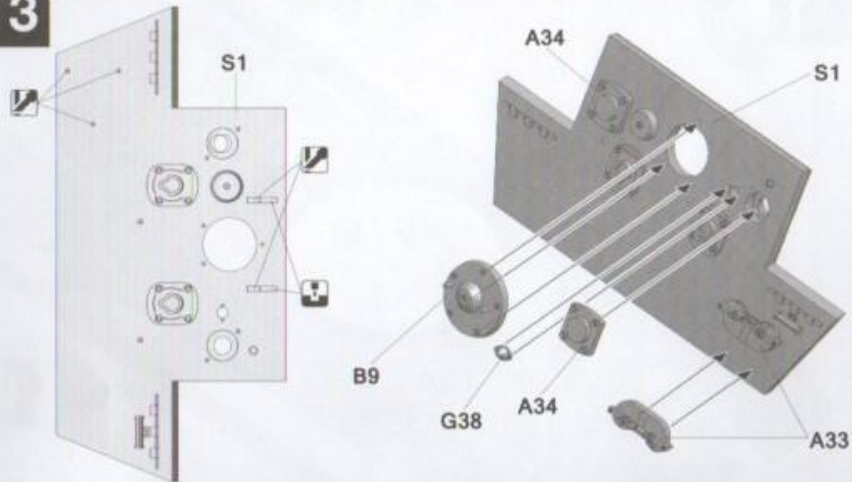
11



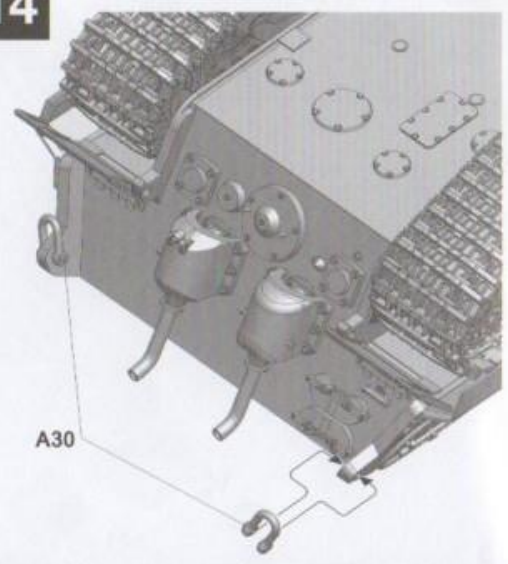
12



3

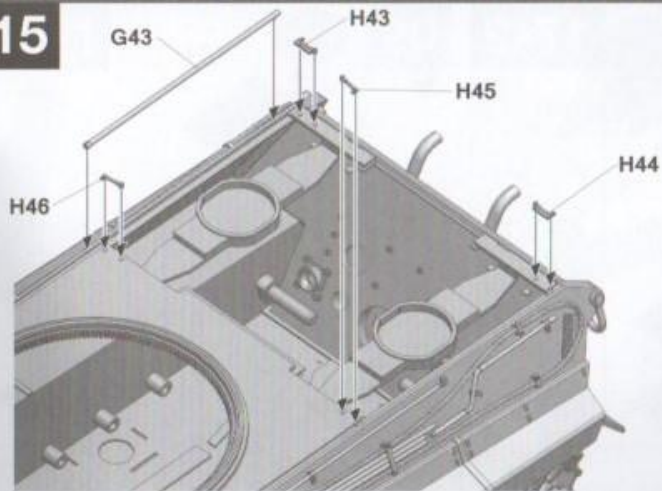


14

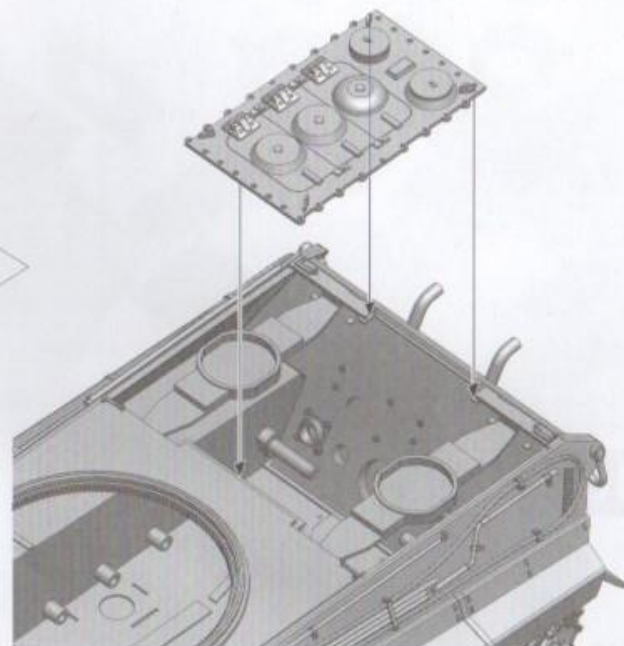
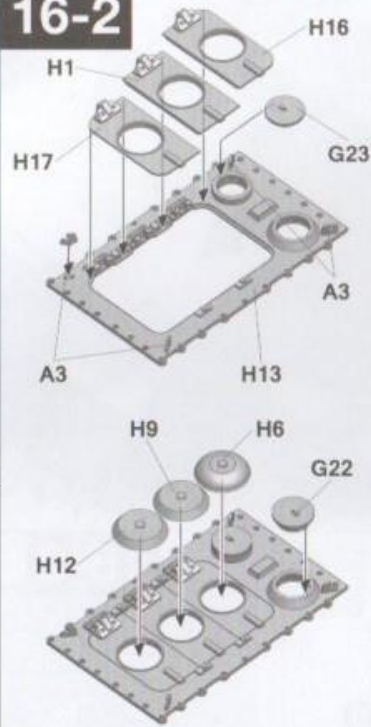




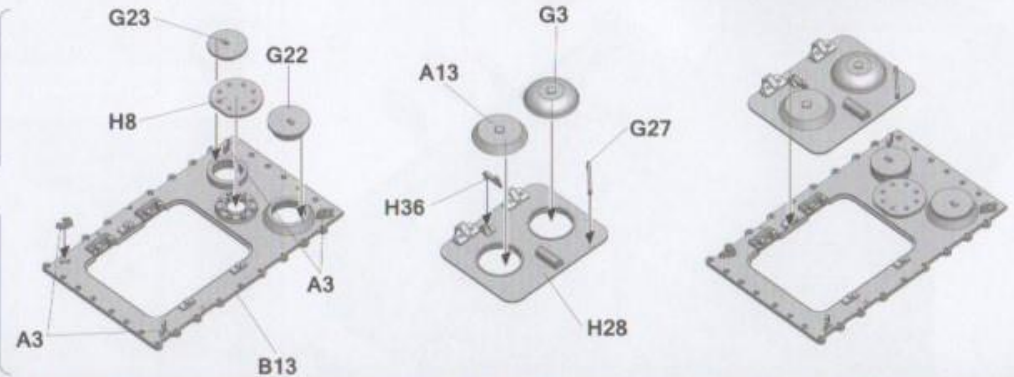
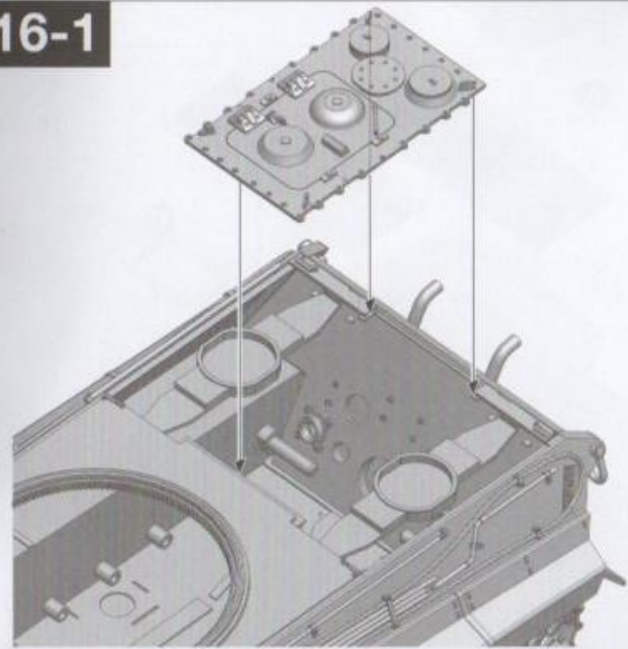
15



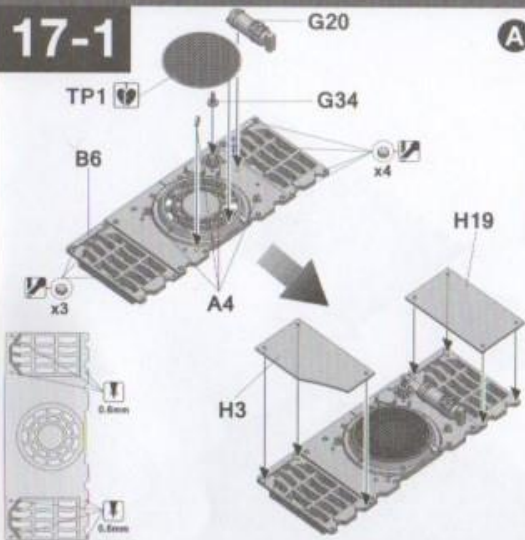
16-2



16-1

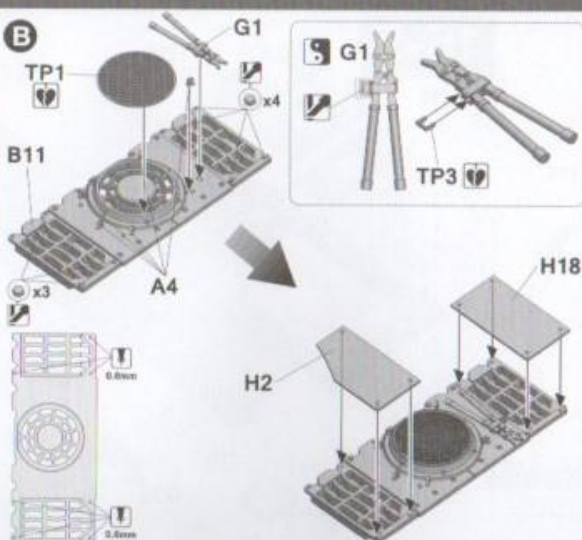


# 17-1

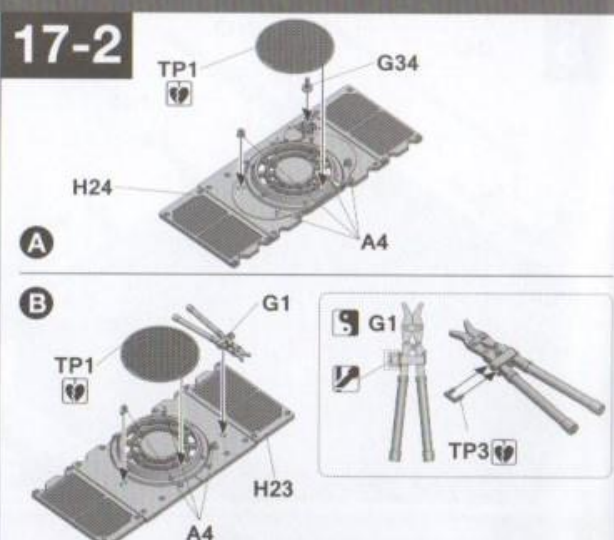


A

B



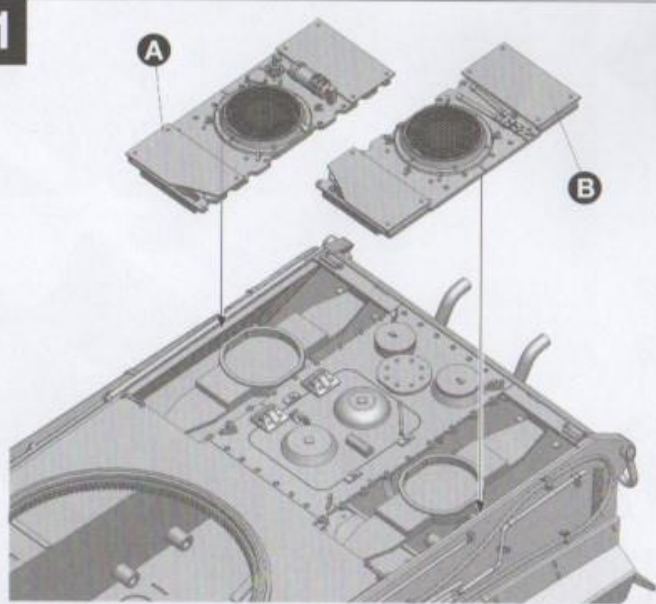
# 17-2



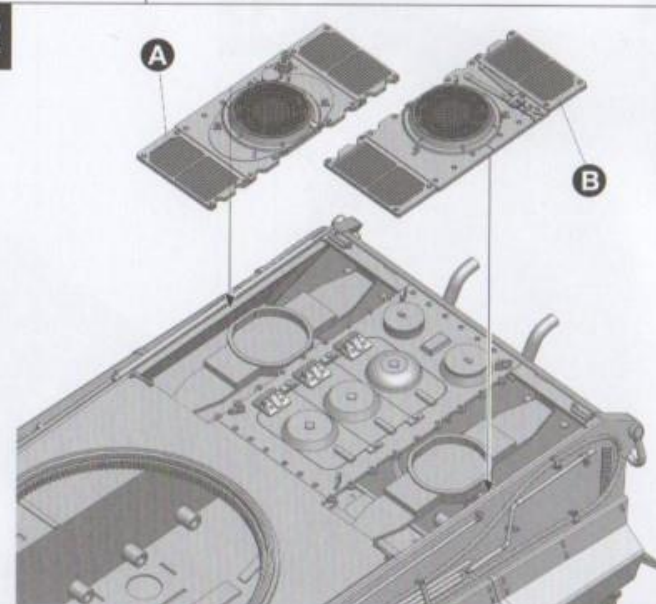
A

B

# 18-1



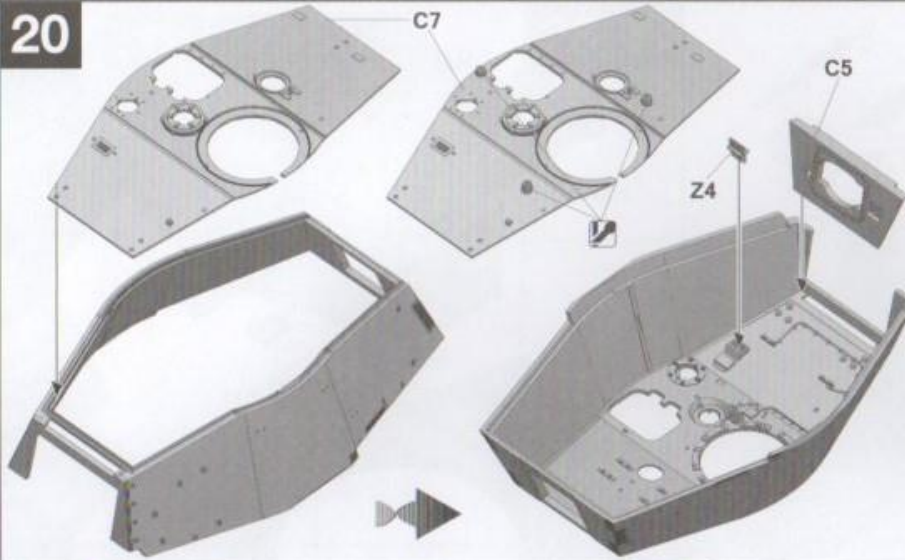
# 18-2



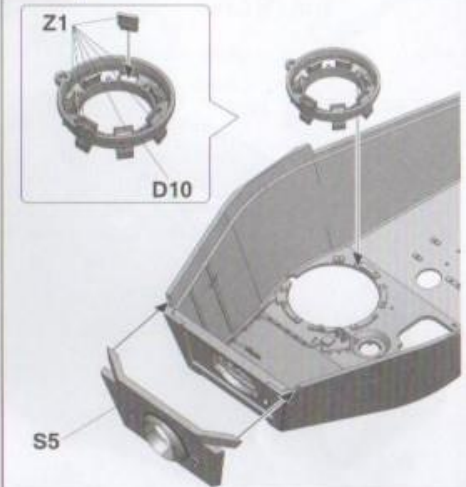
19-1



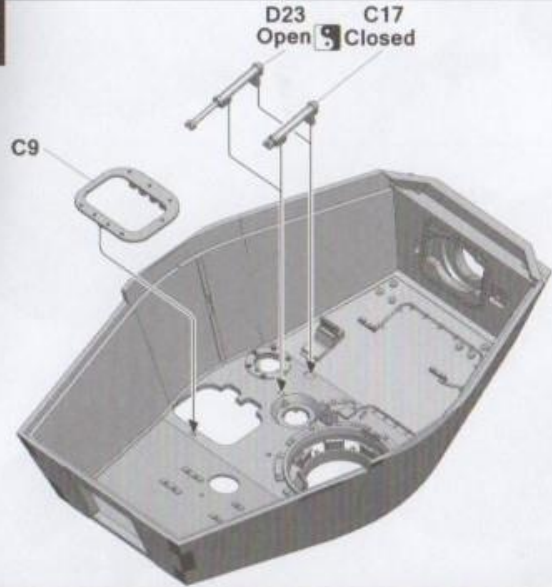
20



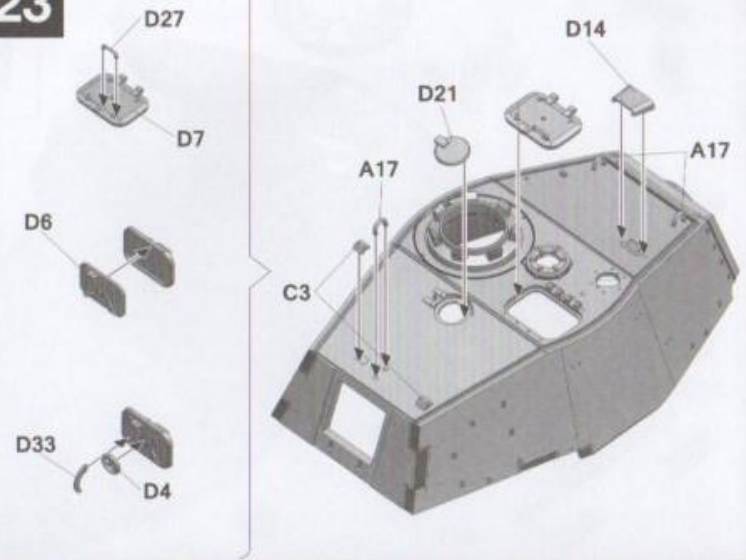
21



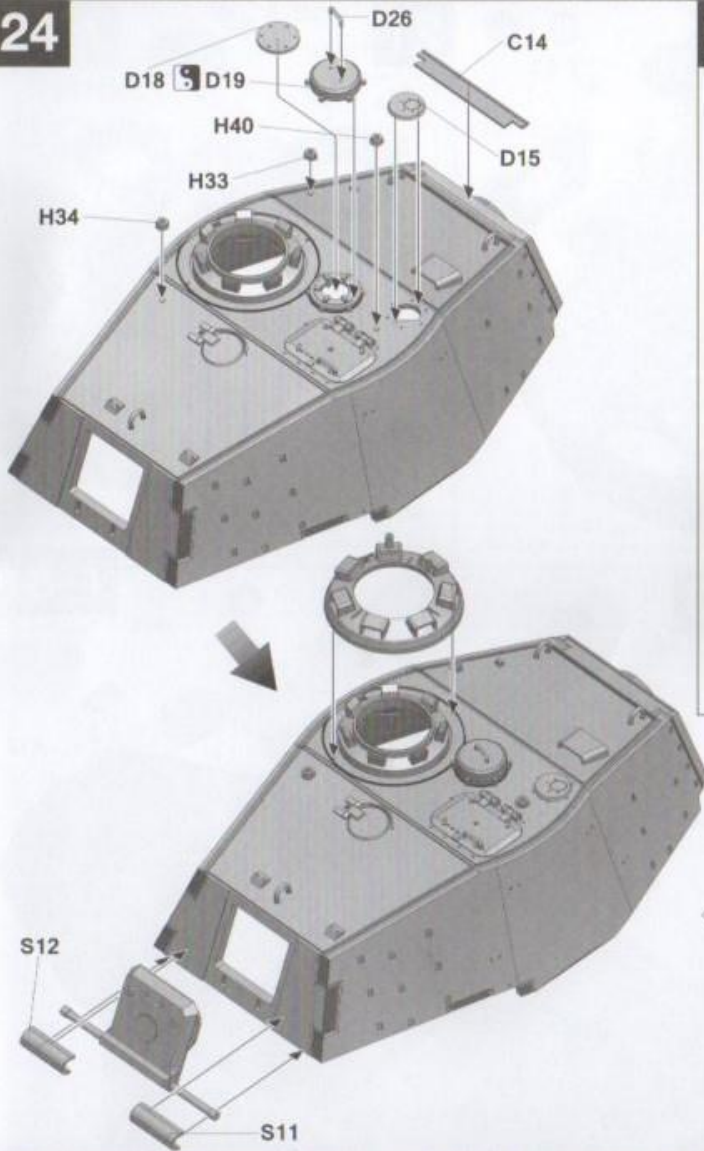
22



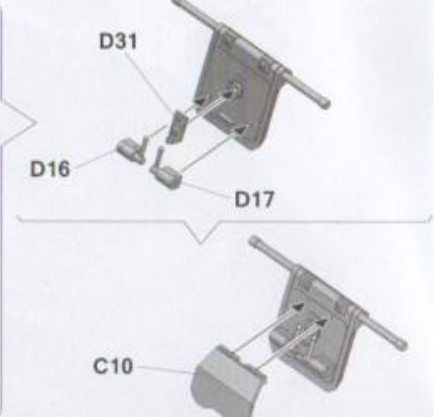
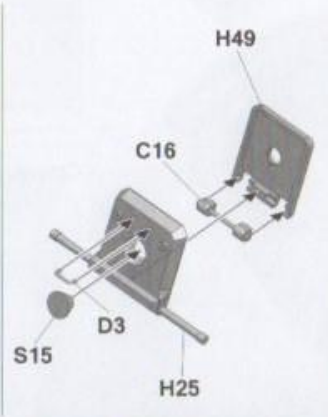
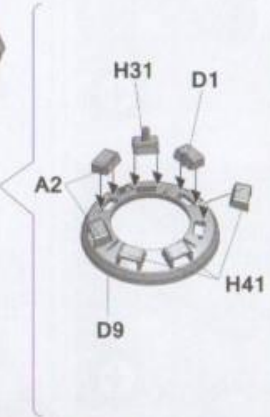
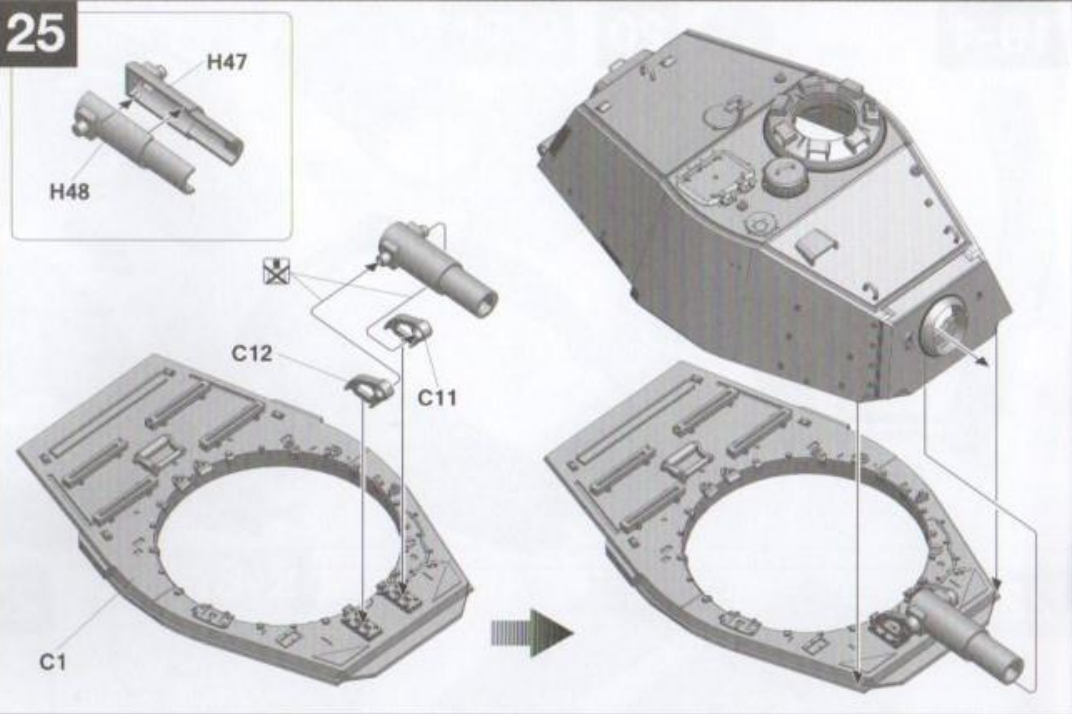
23



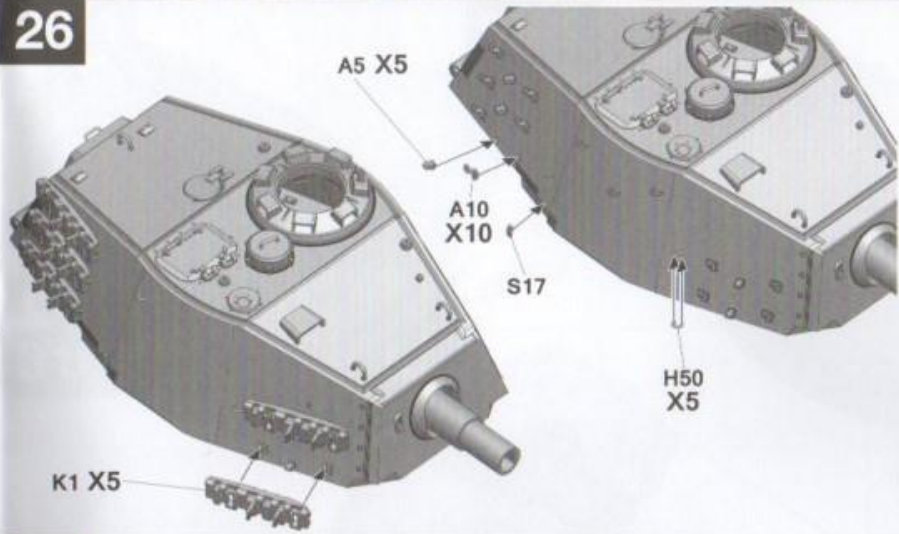
24



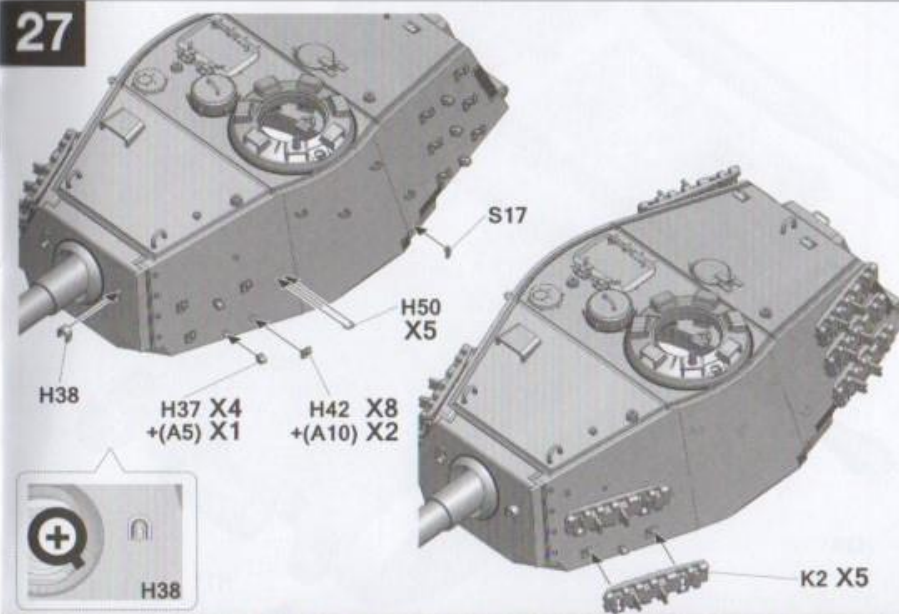
25



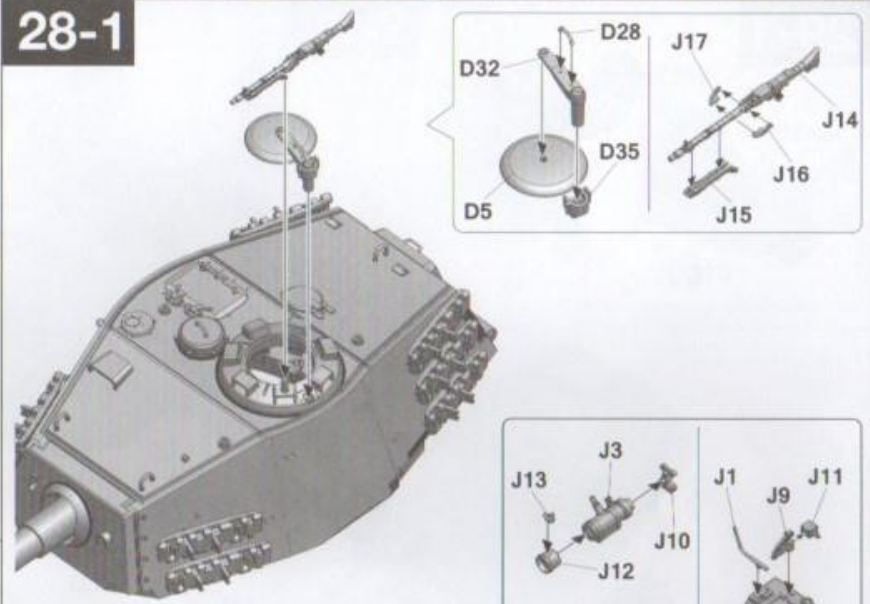
26



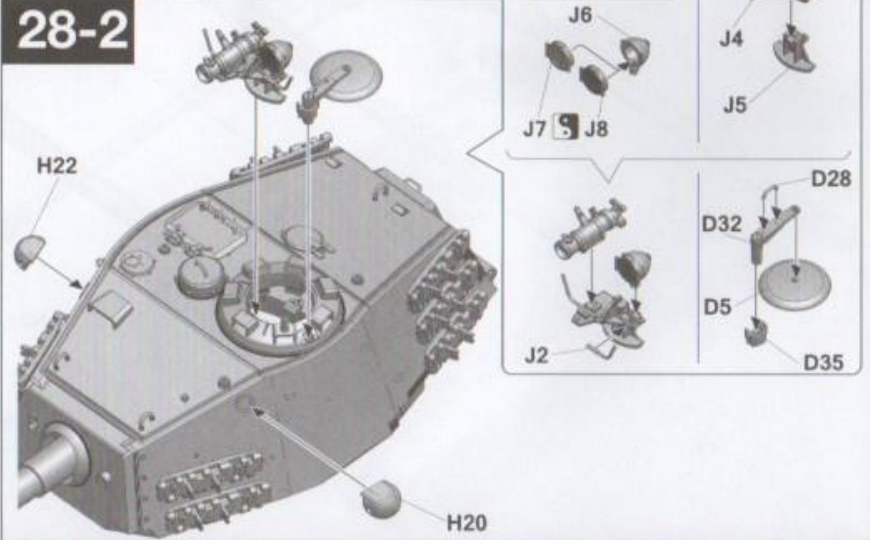
27



28-1



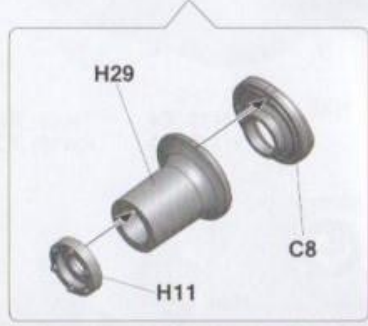
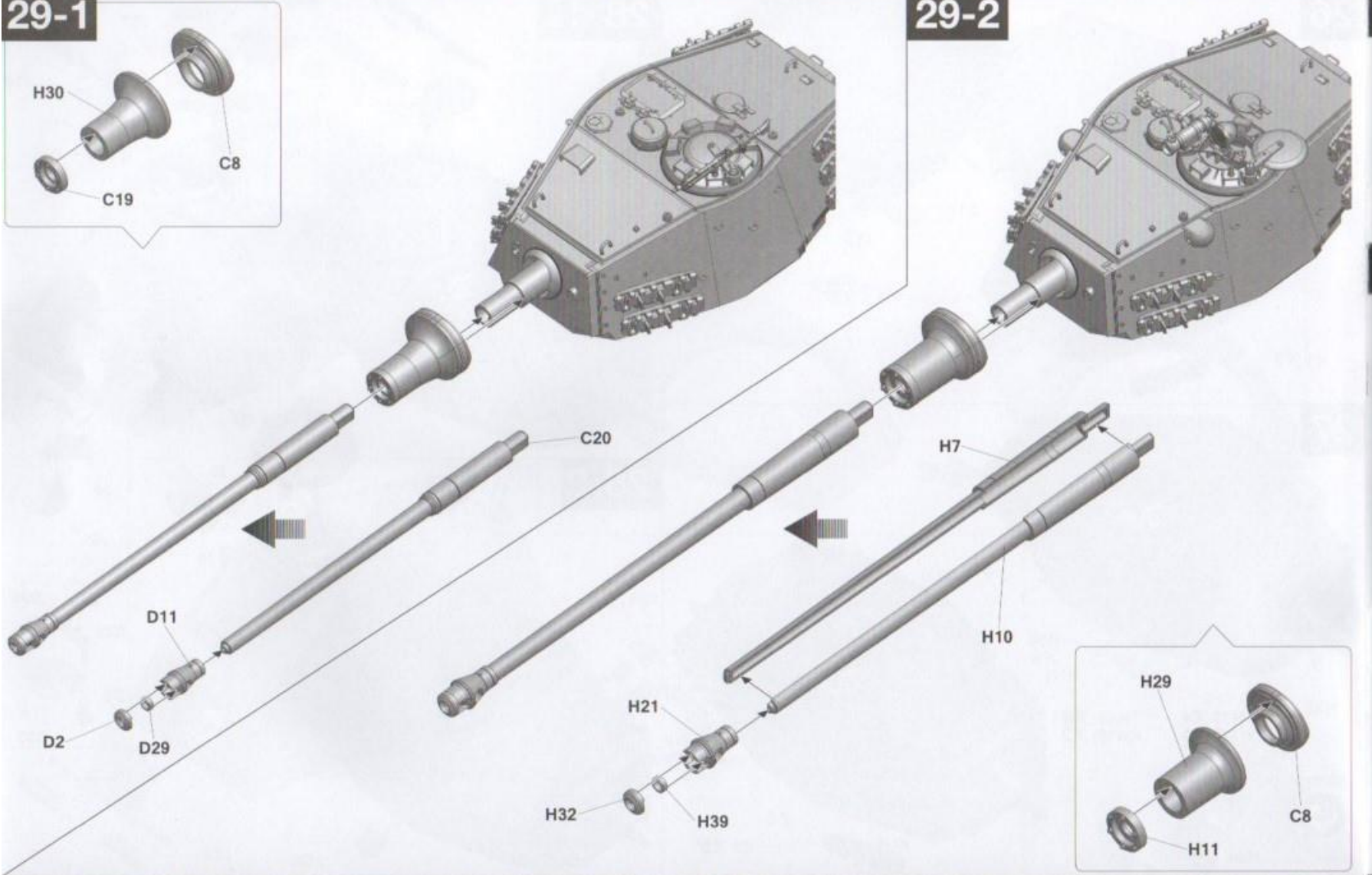
28-2



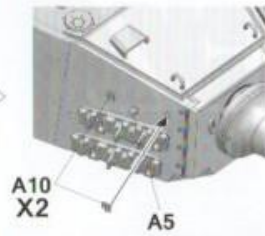
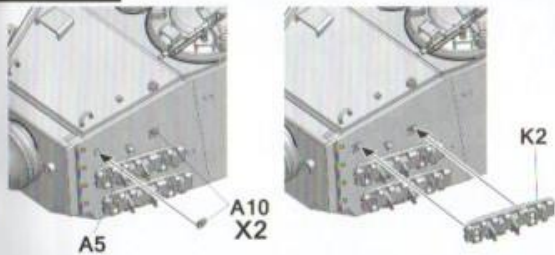
29-1



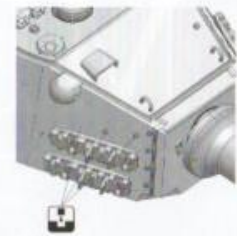
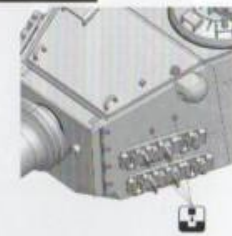
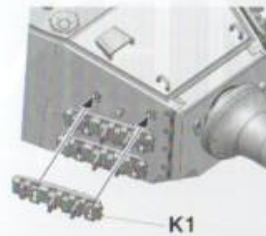
29-2



### 30-1



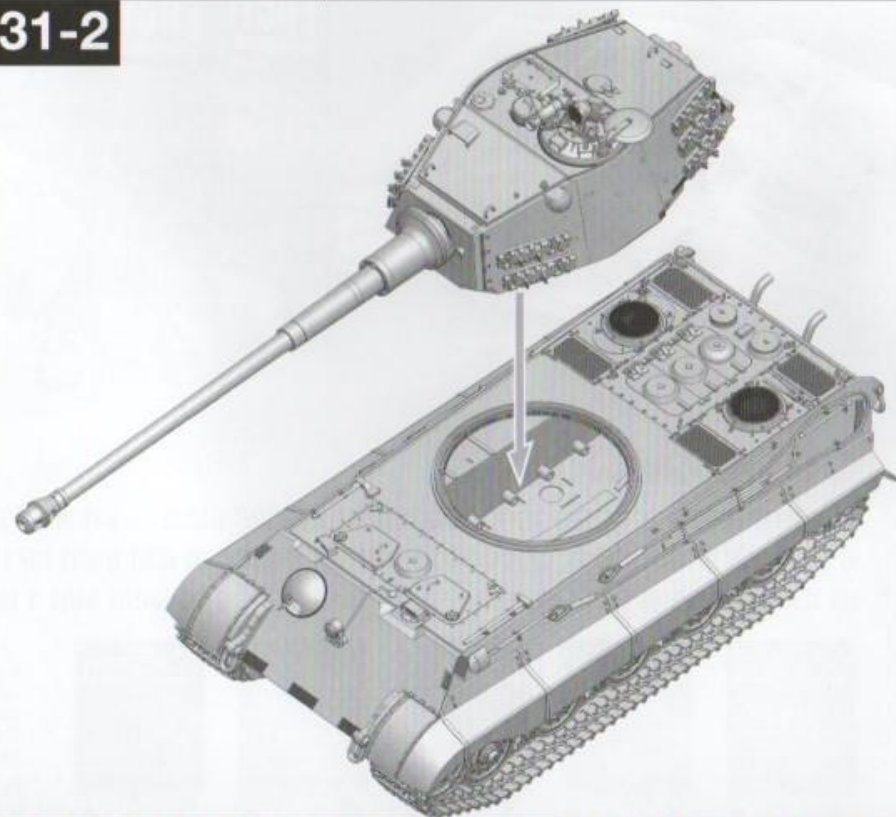
### 30-2



### 31-1



### 31-2



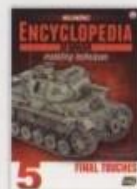
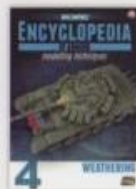
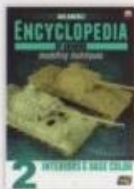
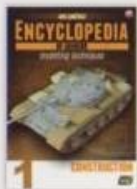
THE NEWEST AND MOST INNOVATIVE MODELING TECHNIQUES EXPLAINED LIKE NEVER BEFORE BY

# MIG JIMENEZ

The definitive Encyclopedia



THE DEFINITIVE COLLECTION OF WEATHERING AND ASSEMBLING TECHNIQUES FOR MILITARY VEHICLES / 5 VOLUMES TO BE RELEASED / MORE THAN 800 PAGES WITH ALL OF THE NECESSARY INFORMATION FOR ALL LEVELS OF MODELERS. WITH PHOTO REFERENCES AND HIGHLY DETAILED STEP BY STEP INSTRUCTIONS, ALL NECESSARY TECHNIQUES FOR ASSEMBLY AND PAINTING ANY KIT ARE INCLUDE / MORE THAN 4.500 LARGE HIGH QUALITY IMAGES IN FULL COLOR / WWI, WWII AND MODERN VEHICLES



Vol. 1: **CONSTRUCTION** – 152 pages, 25 €  
Vol. 2: **INTERIORS & BASE COLOR** – 152 pages, 31 €  
Vol. 3: **CAMOUFLAGE** – 160 pages, 31 €  
Vol. 4: **WEATHERING** – 160 pages, 31 €  
Vol. 5: **FINAL TOUCHES** – 160 pages, 31 €

Plus a Special Vol. 6: **"FULL PROCESS"** on tanks. 48 pages, **FREE**, JUST for subscribers! (To be released during 2017).



[www.migjimenez.com](http://www.migjimenez.com)





# 1945 King Tiger

Panzerkampfwagen Tiger Ausf. B. Henschel Turret

MARCH 1945  
Last version



A.MIG 8500

Painting and  
Marking Guide

A.MIG 013 Schokobraun

A.MIG 908 Grey Base

A.MIG 035 Dark Tracks

A.MIG 042 Old Rust

A.MIG 045 Gun Metal

A.MIG 032 Satin Black

A.MIG 096 Crystal Periscope Green

A.MIG 036 Old Wood

A.MIG 002 Olivgrun

A.MIG 010 Dunkelgelb

Köln 1945 (Germany)



[www.migjimenez.com](http://www.migjimenez.com)

03.03.2089



# 1945 King Tiger

Panzerkampfwagen Tiger Ausf. B. Henschel Turret

MARCH 1945  
Last version



A.MIG 8500

Painting and  
Marking Guide

- A.MIG 014 Rotbraun
- A.MIG 908 Grey Base
- A.MIG 035 Dark Tracks
- A.MIG 042 Old Rust
- A.MIG 045 Gun Barrel
- A.MIG 032 Satin Black
- A.MIG 096 Crystal Periscope Green
- A.MIG 036 Old Wood
- A.MIG 015 Dunkelgelb
- A.MIG 002 Olivgrün
- A.MIG 015 Schokobraun

Hamm 1945 (Germany)



[www.migjimenez.com](http://www.migjimenez.com)

03.03.2089



# 1945 King Tiger

Panzerkampfwagen Tiger Ausf. B. Henschel Turret

MARCH 1945  
Last version



A.MIG 8500

Painting and Marking Guide

A.MIG 014 Rotbraun

A.MIG 908 Grey Base

A.MIG 035 Dark Tracks

A.MIG 042 Old Rust

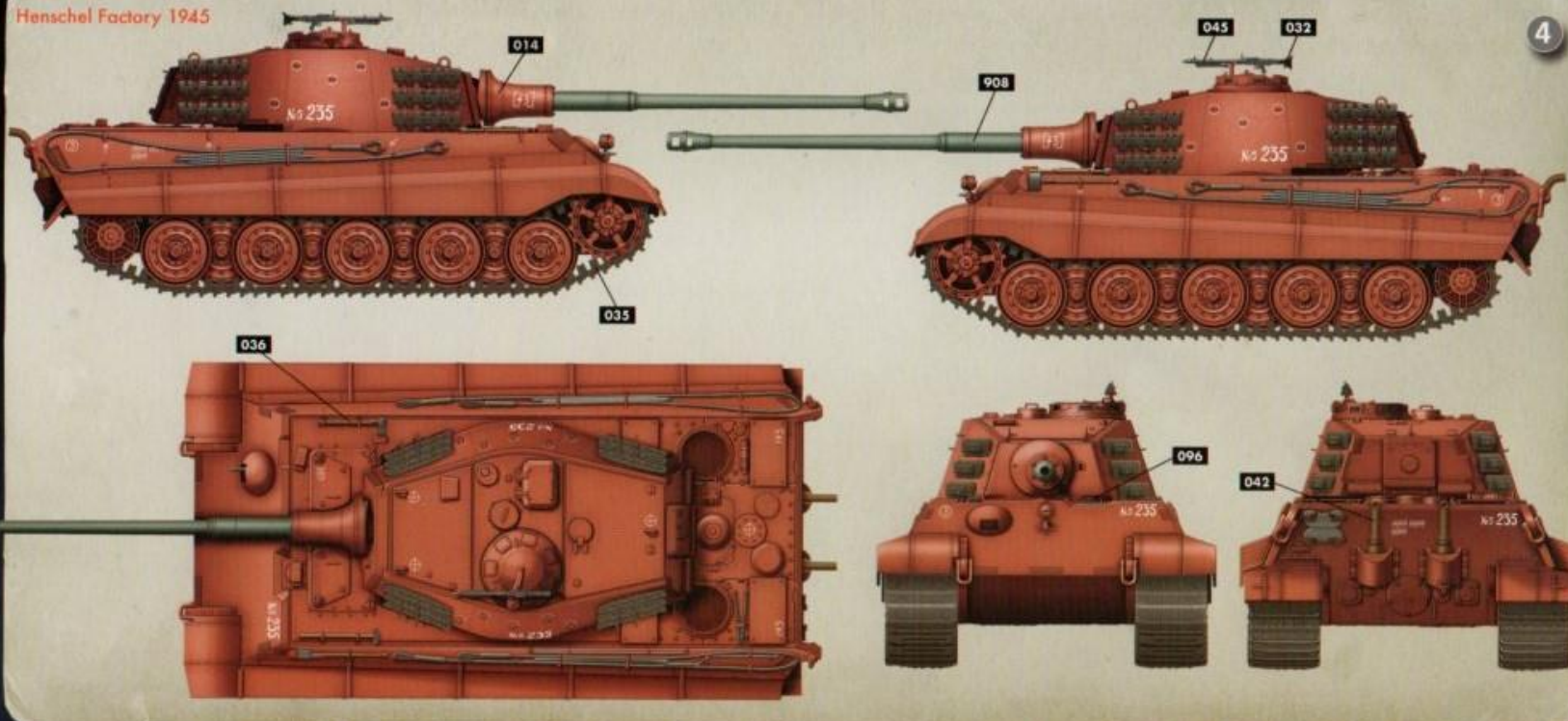
A.MIG 045 Gun Metal

A.MIG 032 Satin Black

A.MIG 096 Crystal Periscope Green

A.MIG 036 Old Wood

Henschel Factory 1945



[www.migjimenez.com](http://www.migjimenez.com)

03.03.2089



# 1945 King Tiger

Panzerkampfwagen Tiger Ausf. B. Henschel Turret

JULY 1945  
Project



A.MIG 8500

Painting and Marking Guide

A.MIG 014

Rotbraun

A.MIG 035

Dark Tracks

A.MIG 042

Old Rust

A.MIG 045

Gun Metal

A.MIG 096

Crystal Periscope Green

A.MIG 036

Old Wood

A.MIG 012

Dunkelgelb

A.MIG 003

Resedagrün

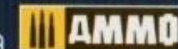
Wildau 1945 (Germany)

5



www.migjimenez.com

03.03.2089



# 1945 King Tiger

Panzerkampfwagen Tiger Ausf. B. Henschel Turret

JULY 1945

Project



A.MIG 8500

Painting and Marking Guide

A.MIG 004

Resedagrün

A.MIG 035

Dark Tracks

A.MIG 042

Old Rust

A.MIG 045

Gun Metal

A.MIG 096

Crystal Periscope Green

A.MIG 036

Old Wood

A.MIG 010

Dunkelgelb

A.MIG 908

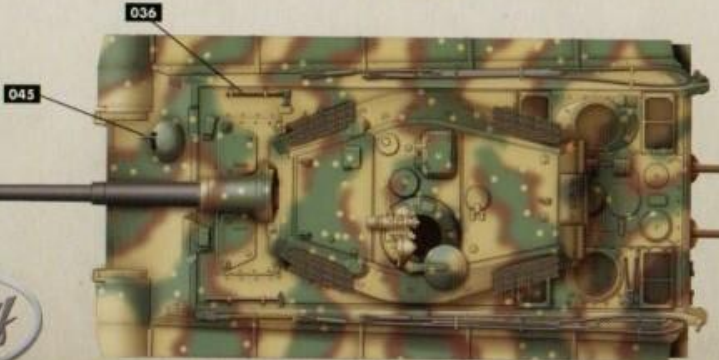
Grey Base

A.MIG 015

Schokobraun

Görlitz 1945 (Germany)

6



www.migjimenez.com

03.03.2089



# 1945 King Tiger

Panzerkampfwagen Tiger Ausf. B. Henschel Turret

JULY 1945  
Project



A.MIG 8500

Painting and Marking Guide

A.MIG 015 Schokobraun

A.MIG 035 Dark Tracks

A.MIG 042 Old Rust

A.MIG 045 Gun Metal

A.MIG 096 Crystal Periscope Green

A.MIG 036 Old Wood

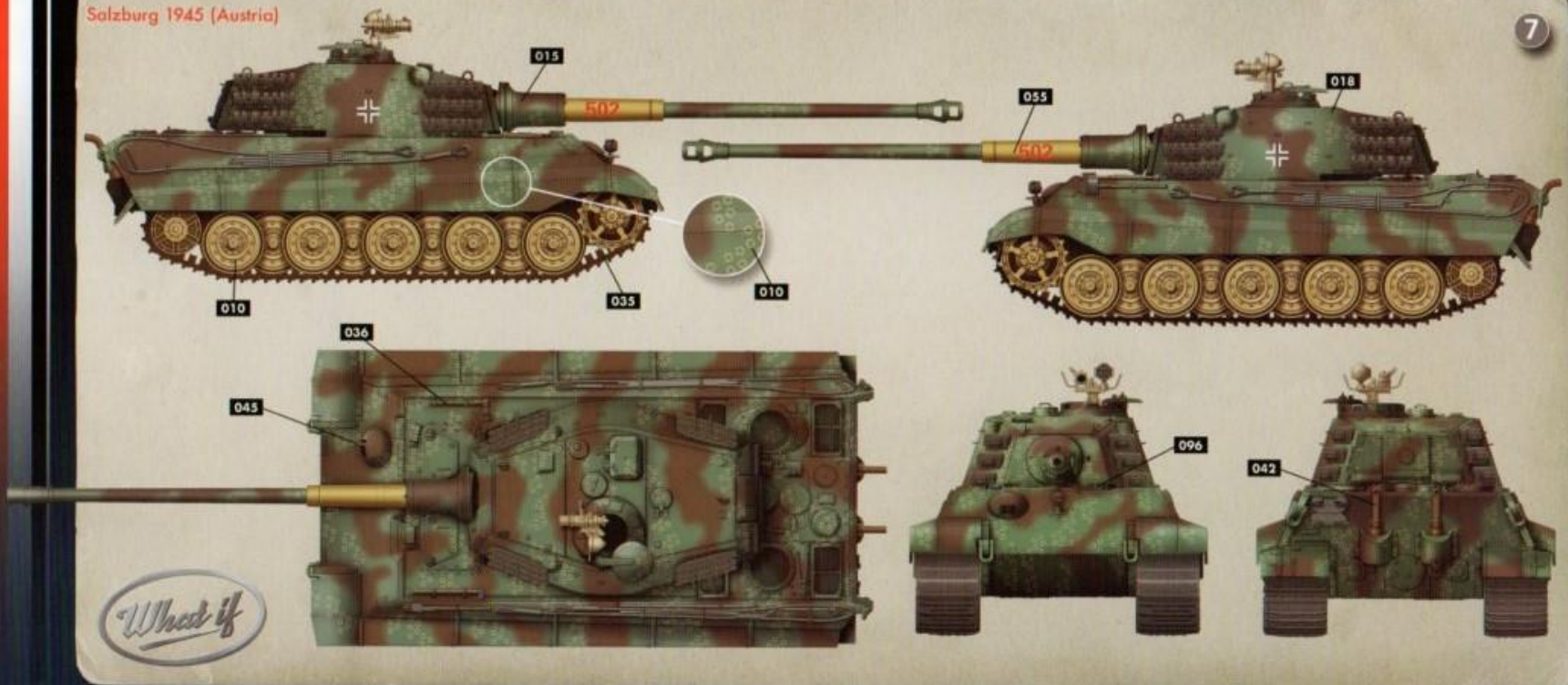
A.MIG 018 Polizei Grün

A.MIG 055 Oil Ochre

A.MIG 010 Dunkelgelb

Salzburg 1945 (Austria)

7



[www.migjimenez.com](http://www.migjimenez.com)

03.03.2089



# 1945 King Tiger

Panzerkampfwagen Tiger Ausf. B. Henschel Turret

JULY 1945  
Project



A.MIG 8500

Painting and Marking Guide

- A.MIG 014 Ratbraun
- A.MIG 035 Dark Tracks
- A.MIG 042 Old Rust
- A.MIG 045 Gun Metal
- A.MIG 096 Crystal Periscope Green
- A.MIG 036 Old Wood
- A.MIG 012 Dunkengelb
- A.MIG 908 Grey Base

Kassel 1945 (Germany)

8

