



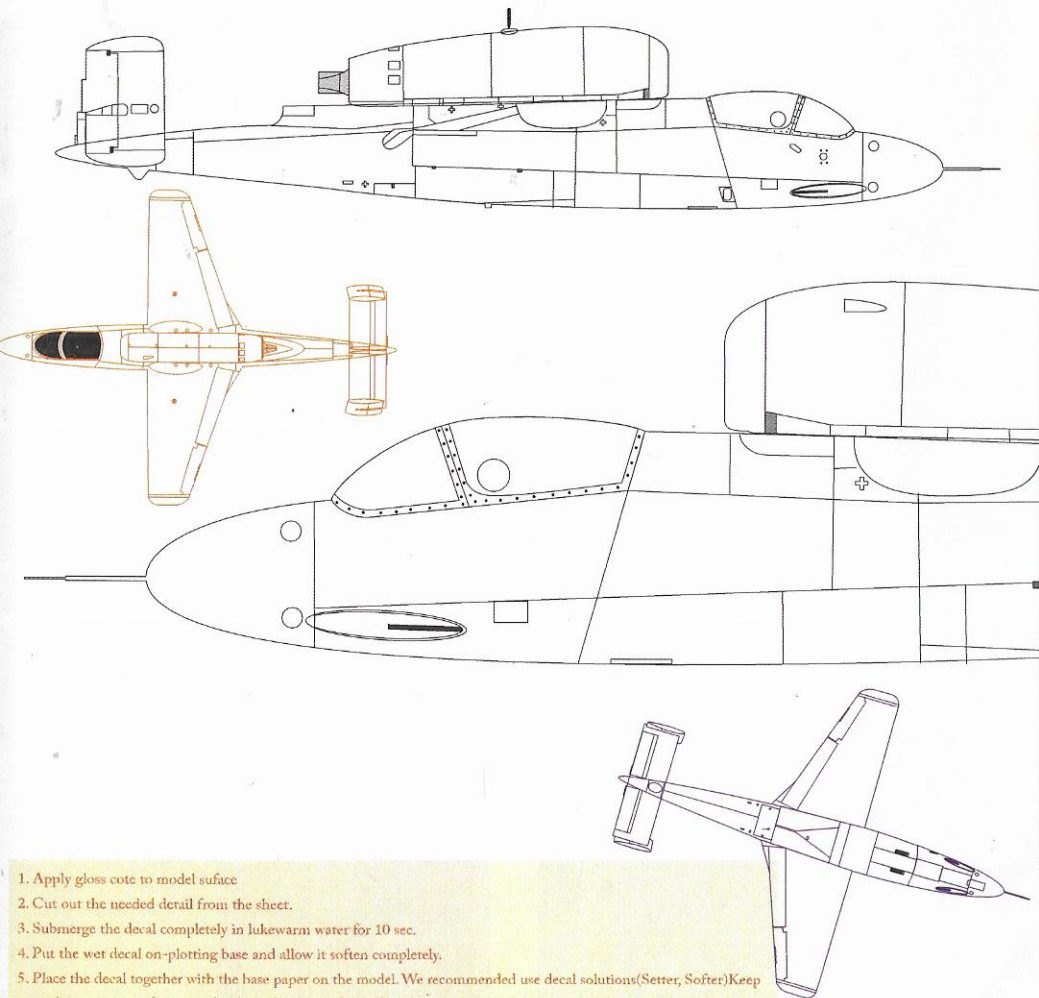
Heinkel He 162

Spatz/Volksjäger



Heinkel He 162

Spatz/Volksjäger



1. Apply gloss cote to model surface
2. Cut out the needed detail from the sheet.
3. Submerge the decal completely in lukewarm water for 10 sec.
4. Put the wet decal on-plotting base and allow it soften completely.
5. Place the decal together with the base paper on the model. We recommended use decal solutions(Setter, Softer)Keep paper by tweezers and remove decal carefully to model surface. In case that the decal was placed incorrectly, add water with a brush on the border of the decal.
6. If the decal is located on the right place, press it with a soft cloth to eliminate all water and air bubbles.
7. Allow the decal dry well.

MADE IN CZECH REPUBLIC

H-Models Decals
Gustav Hýbner
Na zápraží 408/3, Liberec 3, 460 01
www.ghstudio.net
ghstudio@ghstudio.net
nmodels@volny.cz

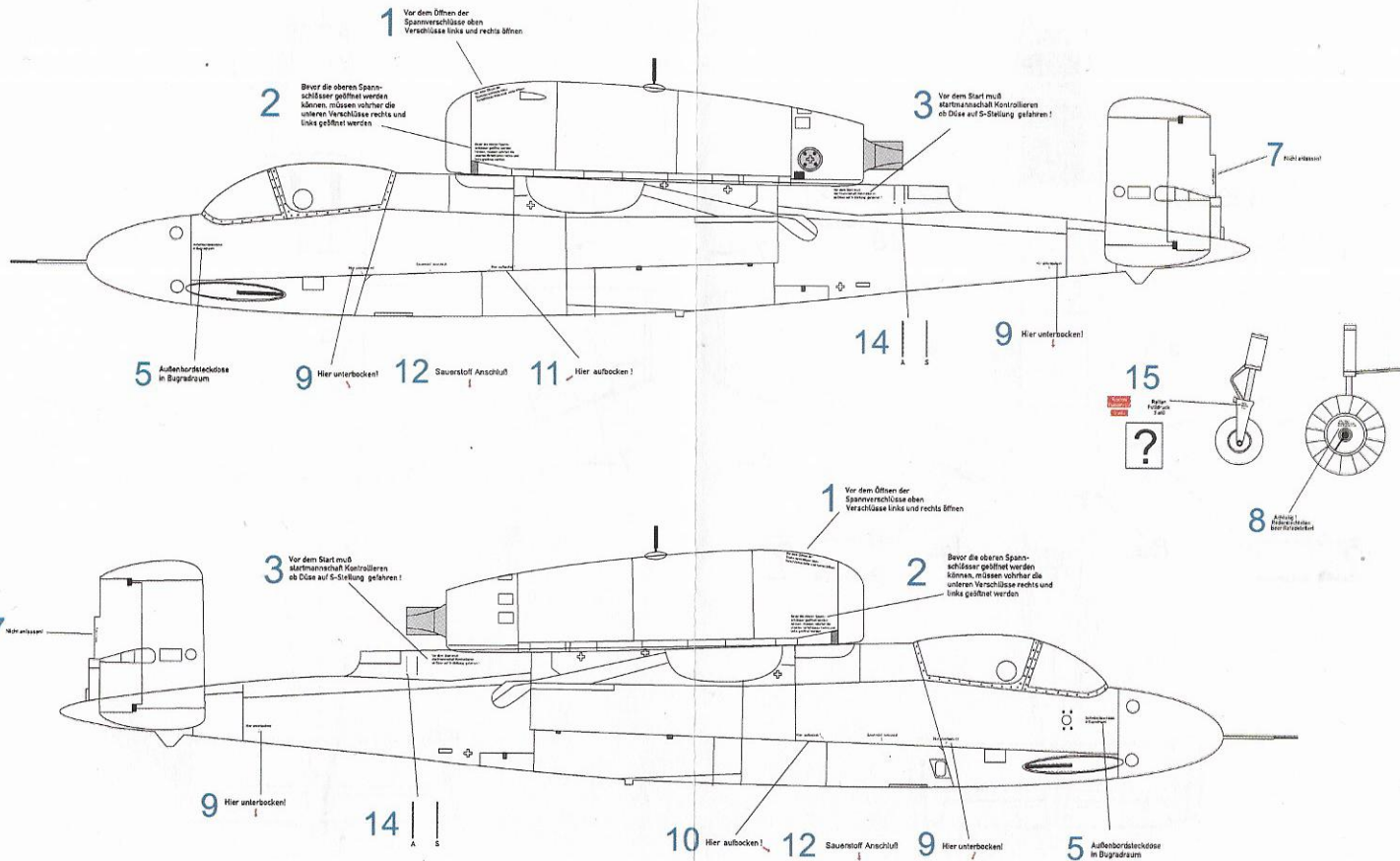
Stencils

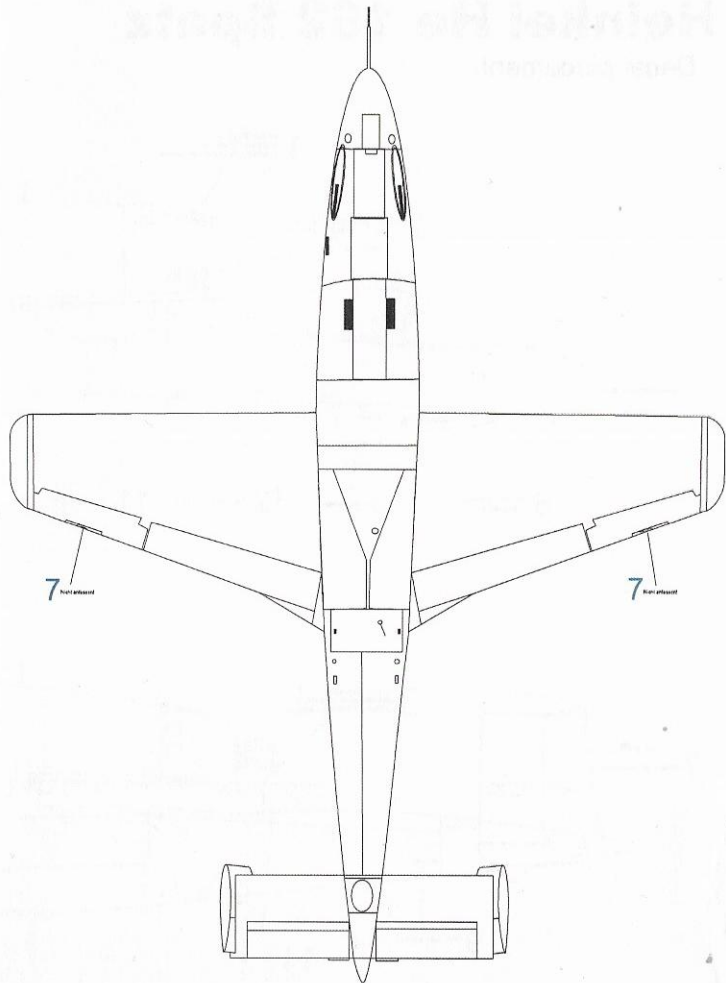
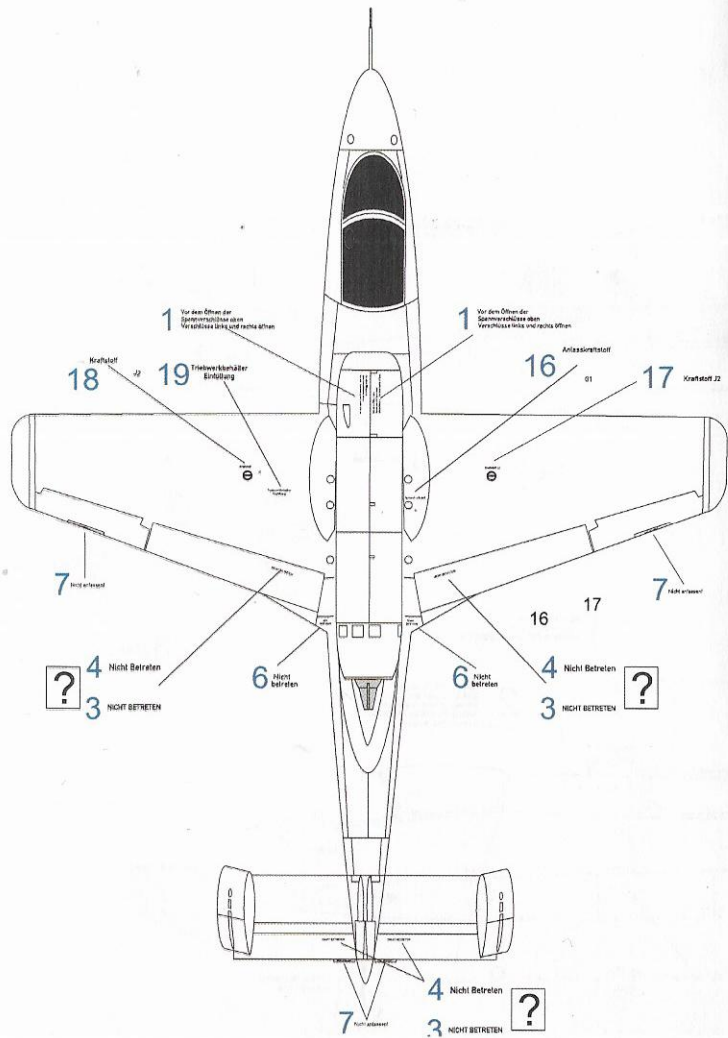
LIMITED SERIES ONLY 200pcs!

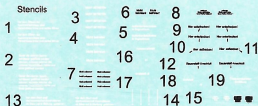
HMD72045

Heinkel He 162 Spatz

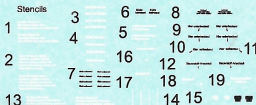
Decal placement:







Heinkel He162
H-Models decals
HMD 72045



Heinkel He162
H-Models decals
HMD 72045



Heinkel He162
H-Models decals
HMD 72045



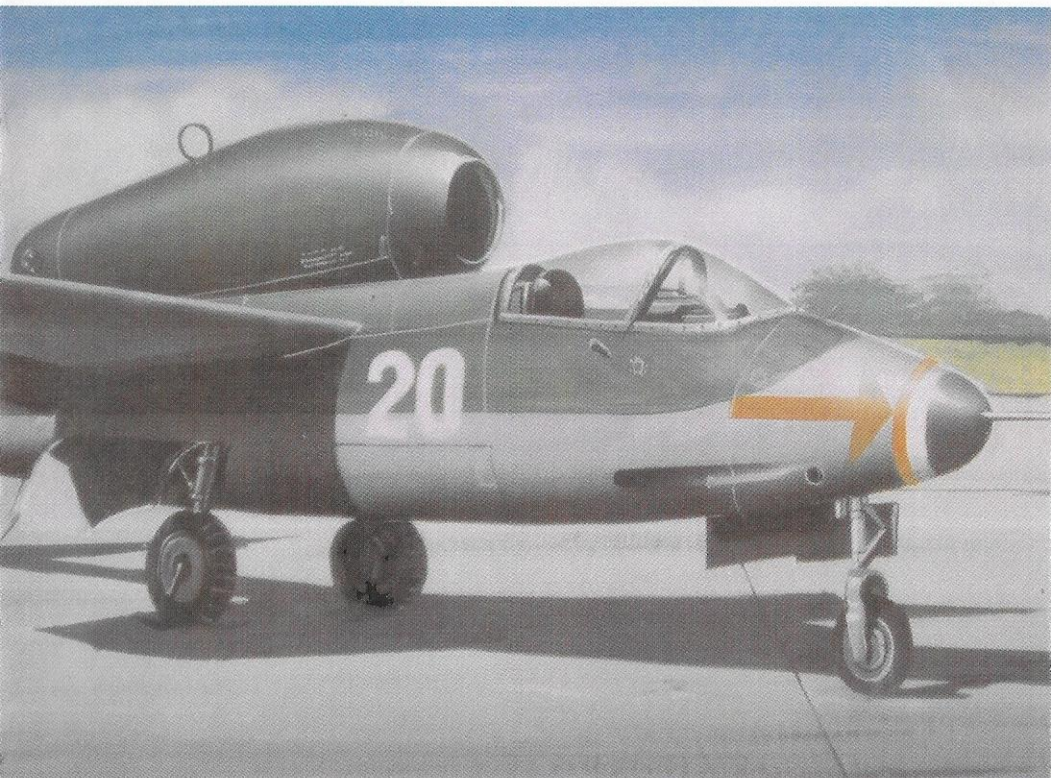
Heinkel He162
H-Models decals
HMD 72045





Heinkel He 162

Spatz/Volksjäger



Stencils

LIMITED SERIES ONLY 200pcs!

HMD72045