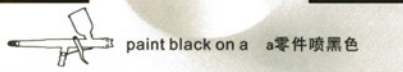


When deal with the film backed sheet, please cut off the parts from the sheet with a little more than you need. Be careful to cut off EXACTLY by the lines, or you may damage the thin parts

T2M-5027

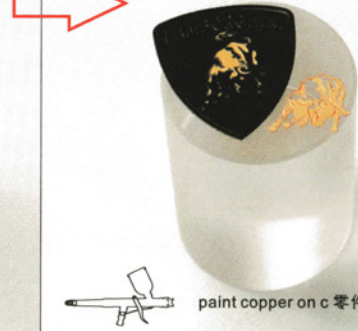
处理薄膜时，先按零件角用指甲多划一点，以免划伤零件



paint black on a 零件喷黑色



masking b on a, paint gold 用b遮盖a, 喷金色



paint copper on c 零件c喷铜色



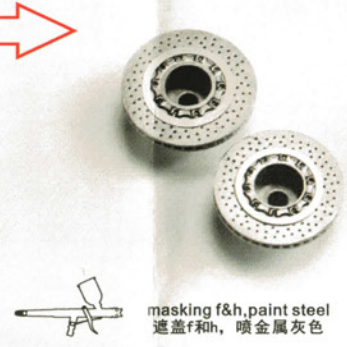
use #800 abrasive file to remove the top lay of paint #800砂棒磨掉上面一层漆



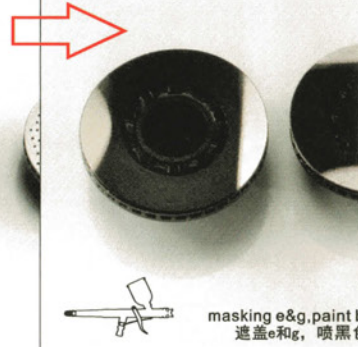
paste c on a to get 3 different lays of colors 零件c粘到a上, 得到三种不得层次色彩



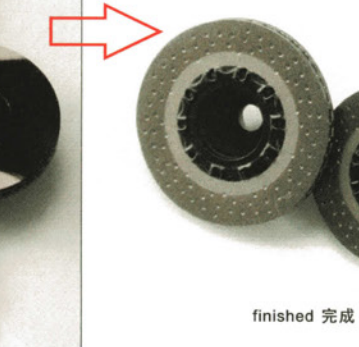
paint silver 喷银色



masking f&h, paint steel 遮盖f和h, 喷金属灰色



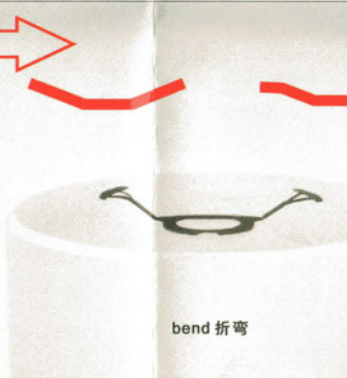
masking e&g, paint black 遮盖e和g, 喷黑色



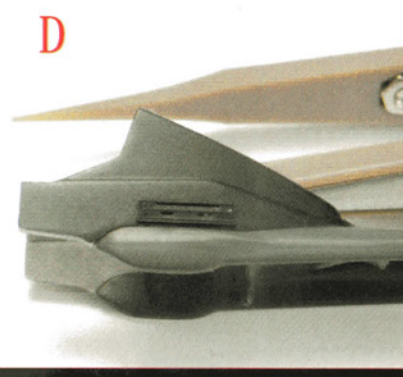
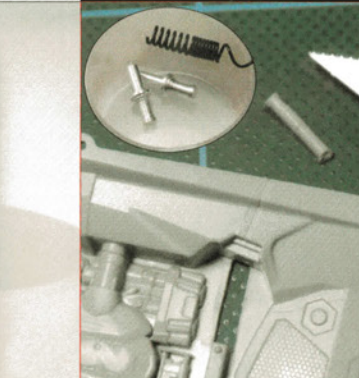
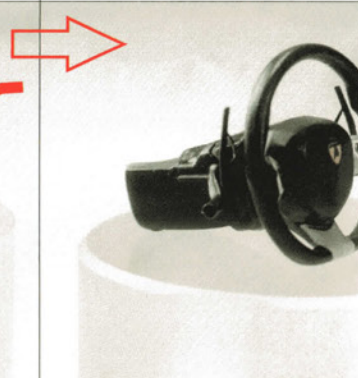
finished 完成



C3 cut 切除



bend 折弯



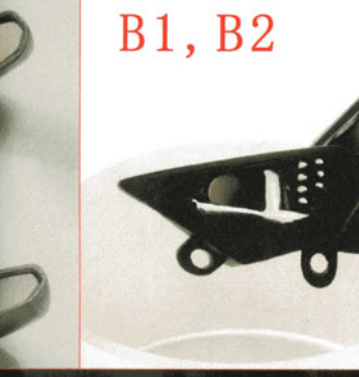
D



A7, A8



D9, C1, C2



B1, B2

